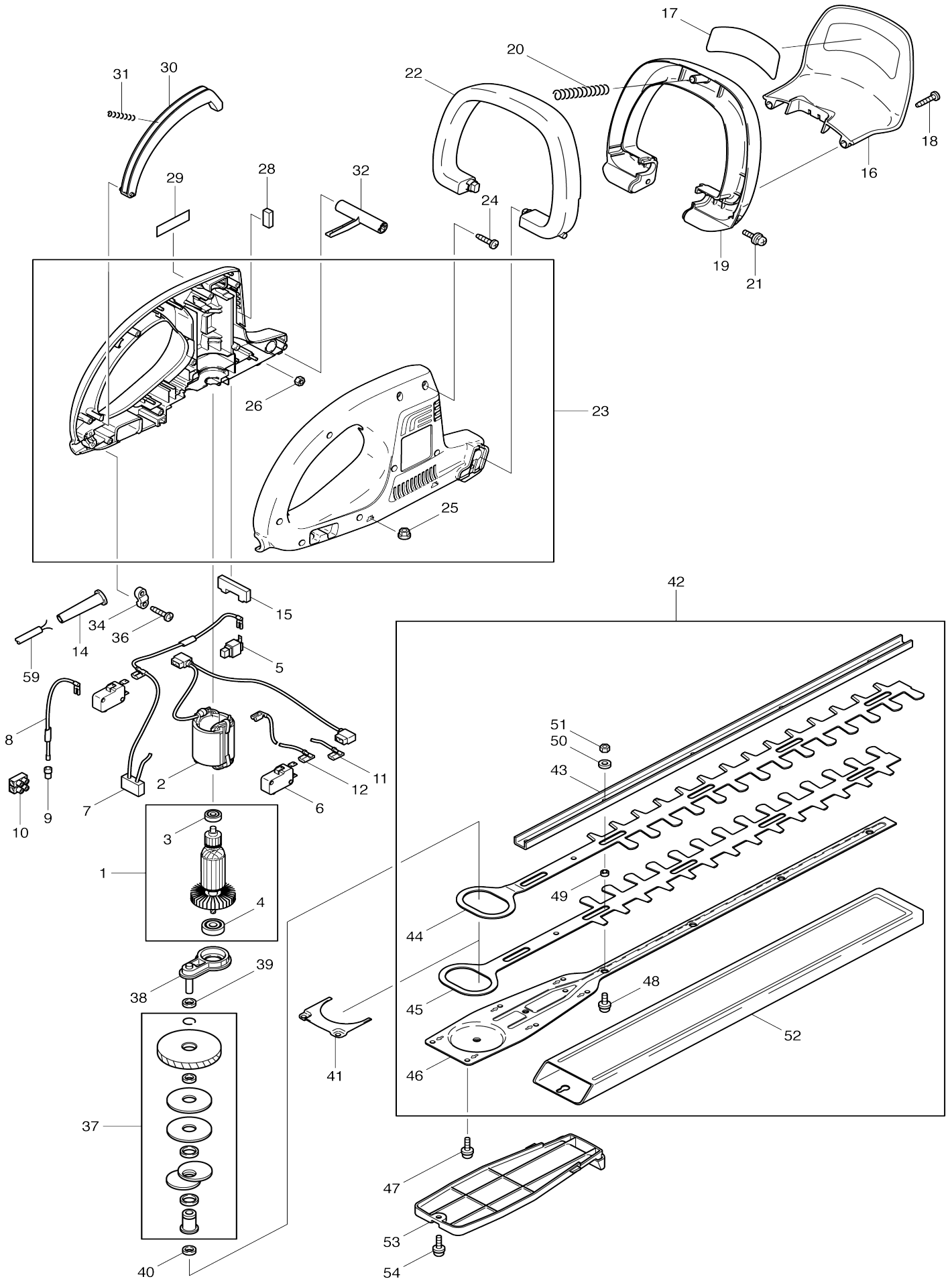


Model No.UH5550 HEDGE TRIMMER 550MM



Model No.UH5550 HEDGE TRIMMER 550MM

Item No.	Parts No.	Description	Interchangability	Q'ty	New/Old	Note1	Note2
001	970801830	ARMATURE ASS'Y 230-240V		1			
D10		INC. 3,4					
002	970801230	FIELD ASS'Y 230-240V		1			
003	960101074	BALL BEARING		1	*		
003-1	211027-7	BALL BEARING 627ZZ	O	1			
004	960101104	BALL BEARING 6000ZZ		1	*		
004-1	211062-5	BALL BEARING 6000ZZ	O	1			
005	957801410	CARBON BRUSH		2			
006	970001210	SWITCH		2	*		
006-1	970001210	SWITCH	O	2	*		
006-2	651948-5	Switch 1005.1010	O	2			
007	970800410	CARBON BRUSH CPL.		1			
008	970800631	REACTANCE COIL B		1			
009	970201170	ENDCONNECTOR		1			
010	970201220	SCREW WIRE CONNECTOR		1	*		
010-1	654531-7	TERMINAL BLOCK 2P	O	1			
011	970311250	CONNECTING CABLE		1	*		
011-1	632666-4	LEAD WIRE UNIT	O	1			
012	970311280	CONNECTING CABLE		1	*		
012-1	632667-2	LEAD WIRE UNIT	O	1			
014	204152010	CORD GUARD		1			
015	222111030	GASKET		1	*		
015-1	443113-8	DUST GUARD	O	1			
016	221213111	HAND GUARD		1	*		
016-1	150638-2	PROTECTOR COMPLETE	O	1			
017	980114292	CAUTION LABEL		1			
018	913540205	SCREW M4X20		2			
019	221310111	TUBULAR HANDLE		1	*		
019-1	416101-8	Grip	O	1			
020	221145110	PURESSURE SPRING		1	*		
020-1	233157-4	COMPRESSION SPRING 9	O	1			
021	917005250	SCREW M5X25		2	*		
021-1	911243-8	PAN HEAD SCREW M5X25	O	2			
022	221144110	FRONT GRIP SWITCH		1	*		
022-1	416099-9	Switch lever B	O	1			
023	222110610	CASE		1			
D10		INC. 25,26					
024	913540205	SCREW M4X20		9			
025	222111050	HEXAGONAL NUT M5		6			
026	920205000	HEX. NUT M5		2			
028	222111040	DUST PROTECTION		1	*		
028-1	443114-6	FELT 5X12	O	1			
029	980114296	LABEL		1	*		
029-1	819063-3	MAKITA LABEL	O	1			
030	221144120	REAR GRIP SWITCH		1	*		
030-1	416098-1	Switch lever A	O	1			
031	221145120	PRESSURE SPRING		1	*		

031-1	233156-6	COMPRESSION SPRING 5	O	1		
032	222144130	SWITCH FOLK		1	*	
032-1	417642-7	Lever	O	1		
034	203152050	TRACTION RELIEF		1		
036	915635164	SELF-CUTTING SCREW M3.5X16		2	*	
036-1	266101-6	TAPPING SCREW BIND PT3.5X16	O	2		
037	221220011	GEAR ASSEMBLY		1		
038	222211010	GEAR PLATE WITH AXLE		1		
039	221229180	WASHER		1		
040	221229180	WASHER		1		
041	222233610	PLATE		1	*	
041-1	344932-4	SPACER	O	1		
042	222230630	SHEAR BLADE ASSY 55CM		1		
D10		INC. 43-46,48-52				
043	222233430	BAR 55CM		1		
044	222233230	SHEAR PLATE A 55CM		1		
045	222233330	SHEAR PLATE B 55CM		1		
046	222233530	GUIDE PLATE 55CM		1	*	
046-1	344939-0	GUIDE PLATE	O	1		
047	222233170	SCREW M5X18		6	*	
047-1	265088-9	Pan head screw M5X18	O	6		
048	222233160	SCREW M5X16		6	*	
048-1	911223-4	PAN HEAD SCREW M5X16	O	6		
049	222233150	DISTANCE PLATE		6	*	
049-1	257703-9	SLEEVE 5	O	6		
050	924405520	WASHER		6		
051	221233170	HEXAGONAL NUT M5		6	*	
051-1	252103-8	HEX. LOCK NUT M5-8	O	6		
052	220233620	SHEATH 55-63CM		1	*	
052-1	415653-6	BLADE COVER(BLACK)	O	1		
059	970102200	CABLE WITH PLUG		1		

Please state Parts No. when your order.

Print Date 25/10/2023