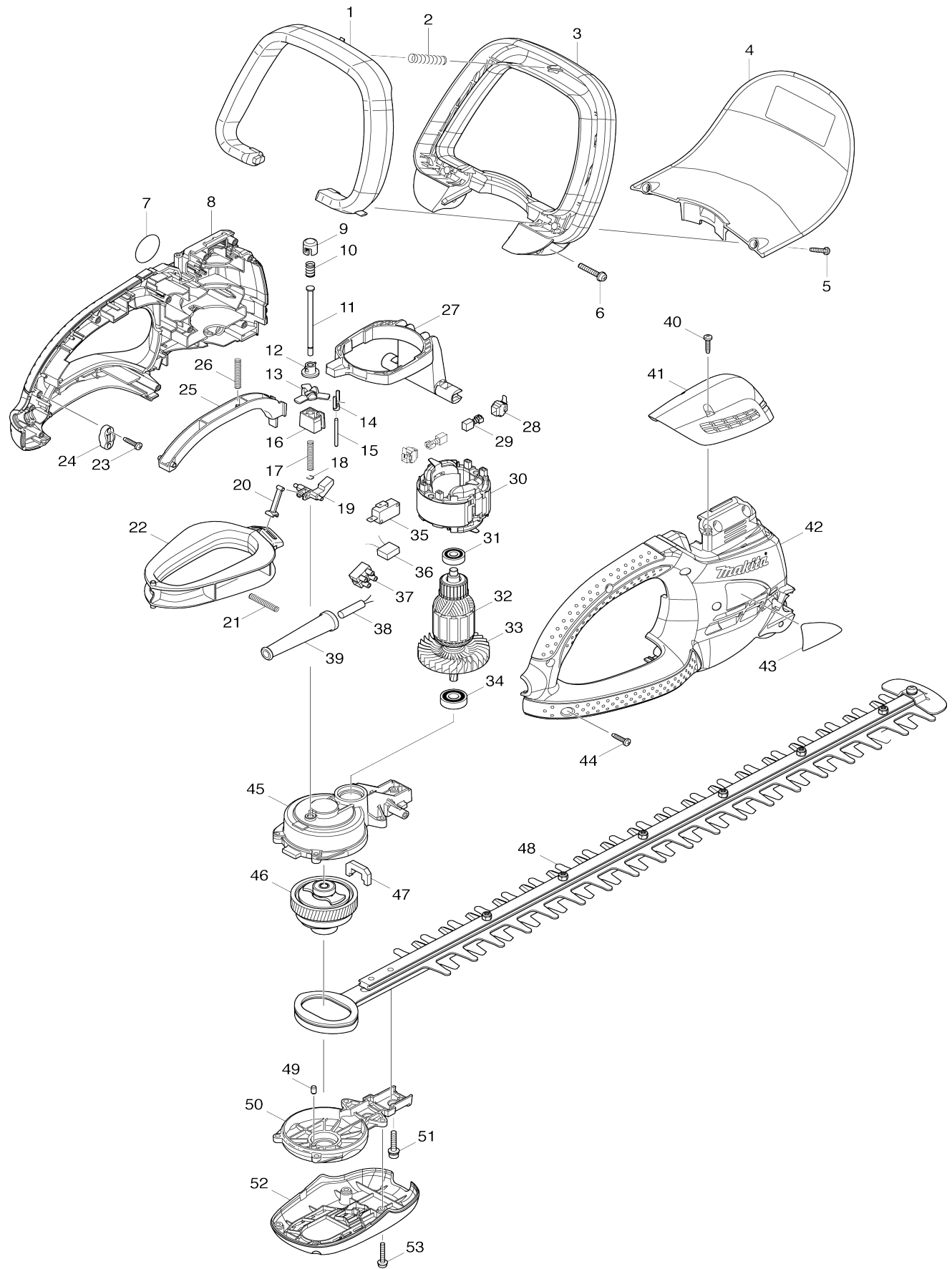


Model No.UH6580 HEDGE TRIMMER 650MM



Model No.UH6580 HEDGE TRIMMER 650MM

Item No.	Parts No.	Description	Interchangability	Q'ty	New/Old	Note1	Note2
D10		COMPO-PARTS					
A05	197280-8	BATTERY BL1850B SET		2			
D10		COMPO-PARTS					
A05	197280-8	BATTERY BL1850B SET		2			
001	450444-8	SWITCH LEVER B		1			
002	233157-4	COMPRESSION SPRING 9		1			
003	450442-2	FRONT GRIP		1			
004	158629-7	PROTECTOR COMPLETE		1	*		
004-1	141J42-6	PROTECTOR COMPLETE	<	1	*		
004-2	1410D7-6	PROTECTOR COMPLETE	O	1			
C10	8074L2-3	CAUTION LABEL		1			
005	265995-6	TAPPING SCREW 4X18		2			
006	911253-5	PAN HEAD SCREW M5X30		2			
008	188569-5	HOUSING SET		1			
D10		INC. 42					
009	417740-7	INSULATION CAP		1			
010	233288-9	COMPRESSION SPRING 8		1			
011	268077-3	PIN 5		1			
012	417727-9	CAP HOLDER		1			
013	417736-8	LIFTER		1			
014	417735-0	PUSHER CAP		1			
015	268078-1	PIN 3		1			
016	417781-3	PIN HOLDER		1			
017	233156-6	COMPRESSION SPRING 5		1			
018	257934-0	STOP RING E-4		1			
019	417737-6	LINK		1			
020	417739-2	ROD		1			
021	233156-6	COMPRESSION SPRING 5		1			
022	417731-8	SWITCH LEVER C		1			
023	265995-6	TAPPING SCREW 4X18		2			
024	687063-9	CORD CLAMP		1			
025	450443-0	SWITCH LEVER A		1			
026	233156-6	COMPRESSION SPRING 5		1			
027	417738-4	LEVER		1			
028	643936-6	BRUSH HOLDER		2			
029	191962-4	CARBON BRUSH CB-419		1			
030	594578-8	FIELD ASS'Y 220-240V		1	*		
C10	654069-2	RECEPTACLE		2	*		
030-1	599126-8	FIELD ASSY 220-240V	<	1			
C10	654069-2	RECEPTACLE		2			
031	211032-4	BALL BEARING 608ZZ		1			
032	516499-4	ARMATURE ASS'Y 220-240V		1			
D10		INC. 31,33,34					
033	241858-0	FAN 70		1			
034	211062-5	BALL BEARING 6000ZZ		1			
035	650522-6	SWITCH		1	*		
035-1	650593-3	SWITCH	O	1			

036	645185-1	NOISE SUPPRESSOR		1	*		
036-1	645105-5	NOISE SUPPRESSOR	O	1			
037	654531-7	TERMINAL BLOCK 2P		1			
038	666246-4	POWER SUPPLY CORD 1.5-2-0.3		1			
039	682503-2	CORD GUARD 8-90		1			
040	265995-6	TAPPING SCREW 4X18		2			
041	450445-6	TOP COVER		1			
042	188569-5	HOUSING SET		1			
D10		INC. 8					
043	865786-1	UH6580 NAME PLATE		1			
044	265995-6	TAPPING SCREW 4X18		10			
045	318257-2	GEAR HOUSING		1			
046	135217-7	GEAR ASS'Y		1			
047	443142-1	DUST GUARD		1			
C40	345205-8	BRANCH CATCHER		1			
C50	911208-0	PAN HEAD SCREW M5X10		1			
048	194673-0	SHEAR BLADE ASS'Y SET		1			
C10	252184-2	HEX.LOCK NUT M5-8		6			
C20	257717-8	SLEEVE 5		8			
C30	265181-9	+TRUSS HEAD SCREW M5X20		6			
C40	345205-8	BRANCH CATCHER		1			
C50	911208-0	PAN HEAD SCREW M5X10		1			
C30	265181-9	+TRUSS HEAD SCREW M5X20		6			
C40	345205-8	BRANCH CATCHER		1			
C50	911208-0	PAN HEAD SCREW M5X10		1			
C60	188605-7	OIL VESSEL SET		1			
049	263002-9	RUBBER PIN 4		1			
050	318265-3	GEAR HOUSING COVER		1			
051	265182-7	+ PAN HEAD SCREW M5X25		2			
052	450440-6	UNDER COVER		1			
053	911148-2	PAN HEAD SCREW M4X25		4			
A01	194677-2	CORD HOLDER COMPLETE SET		1			
A02	158024-1	HOOK COMPLETE		1			
A03	450490-1	BLADE COVER		1			
F05	194681-1	CHIP RECEIVER ASS'Y SET		1			

Please state Parts No. when your order.

Print Date 03/01/2024