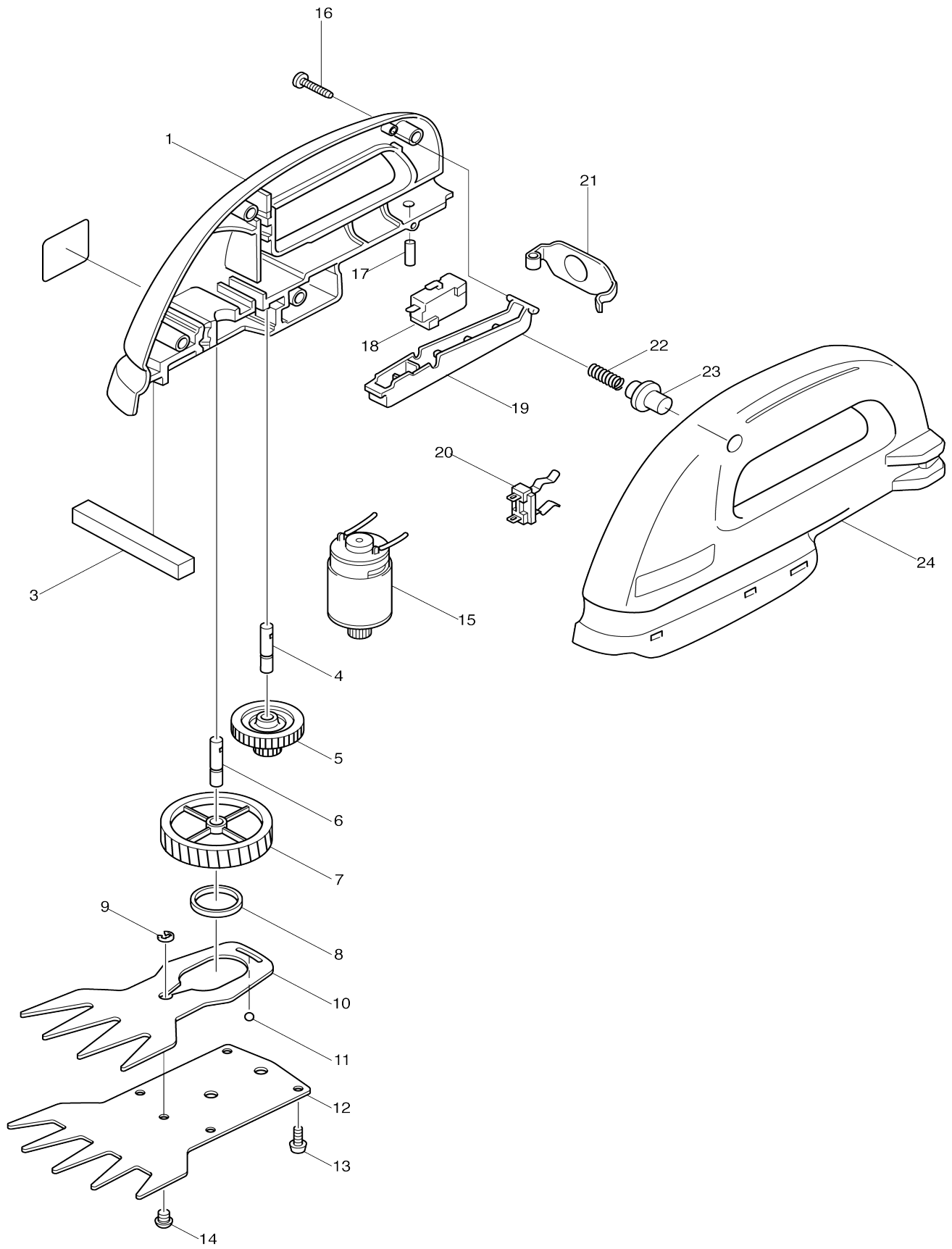


Model No.UM104D CORDLESS GRASS SHEAR



Model No.UM104D CORDLESS GRASS SHEAR

Item No.	Parts No.	Description	Interc hang eabilit y	Q'ty	New/ Old	Note1	Note2
001	182609-1	Housing set (blue)		1			
D10		INC. 17,21,24					
002	858959-3	Name plate UM104D		1			
003	423121-5	Sponge seal		1			
004	321835-9	SHAFT		1			
005	226804-4	Gear 14-34		1			
006	321835-9	SHAFT		1			
007	221742-5	Helical gear 52		1			
008	257116-4	Ring 21		1			
009	961018-5	STOP RING E-5		1			
010	125030-1	Shear blade assembly		1			
D10		INC. 9,11,12,14					
011	216001-0	STEEL BALL 3.5		1			
012	125030-1	Shear blade assembly		1			
D10		INC. 9-11,14					
013	911128-8	P.H.SCREW M4X16 WITH WR		4			
014	256686-0	PIN 7		1			
015	629659-0	DC motor		1	*		
C10	221922-3	Spur gear 9		1	*		
015-1	629659-0	DC motor	O	1			
C10	221922-3	Spur gear 9		1			
016	265925-7	TAPPING SCREW BT4X20		5			
017	256085-6	PIN 4		1			
018	651866-7	SWITCH V-5130E-092		1	*		
018-1	651944-3	SWITCH DMC-1115-13	O	1			
019	414157-5	SWITCH LEVER		1			
020	643909-9	BATTERY HOLDER		1			
021	342833-0	SET PLATE		1			
022	233077-2	Compression spring 4		1			
023	415674-8	LOCK OFF BUTTON		1			
024	182609-1	Housing set (blue)		1			
D10		INC. 1,17,21					
A01	410540-4	Blade cover		1			
A02	414938-7	BATTERY COVER		1			
B01	***DC7020	DC7020 FAST CHARGER		1			
B02	191679-9	BATTERY 7000 SET		1			
B03	632669-8	Charging base		1	*		
B03-1	638411-5	Charging base	<	1			
B01A 1	***DC9711	DC9711 BATTERY CHARGER		1	*		
B01A 2	***DC1414	DC1414 BATTERY CHARGER	<	1			
B02A_	192695-4	Battery set 7033		1			
B01	***DC1414	DC1414 BATTERY CHARGER		1			
B02	193888-6	Battery set 7034		1			

Please state Parts No. when your order.

Print Date 26/10/2023