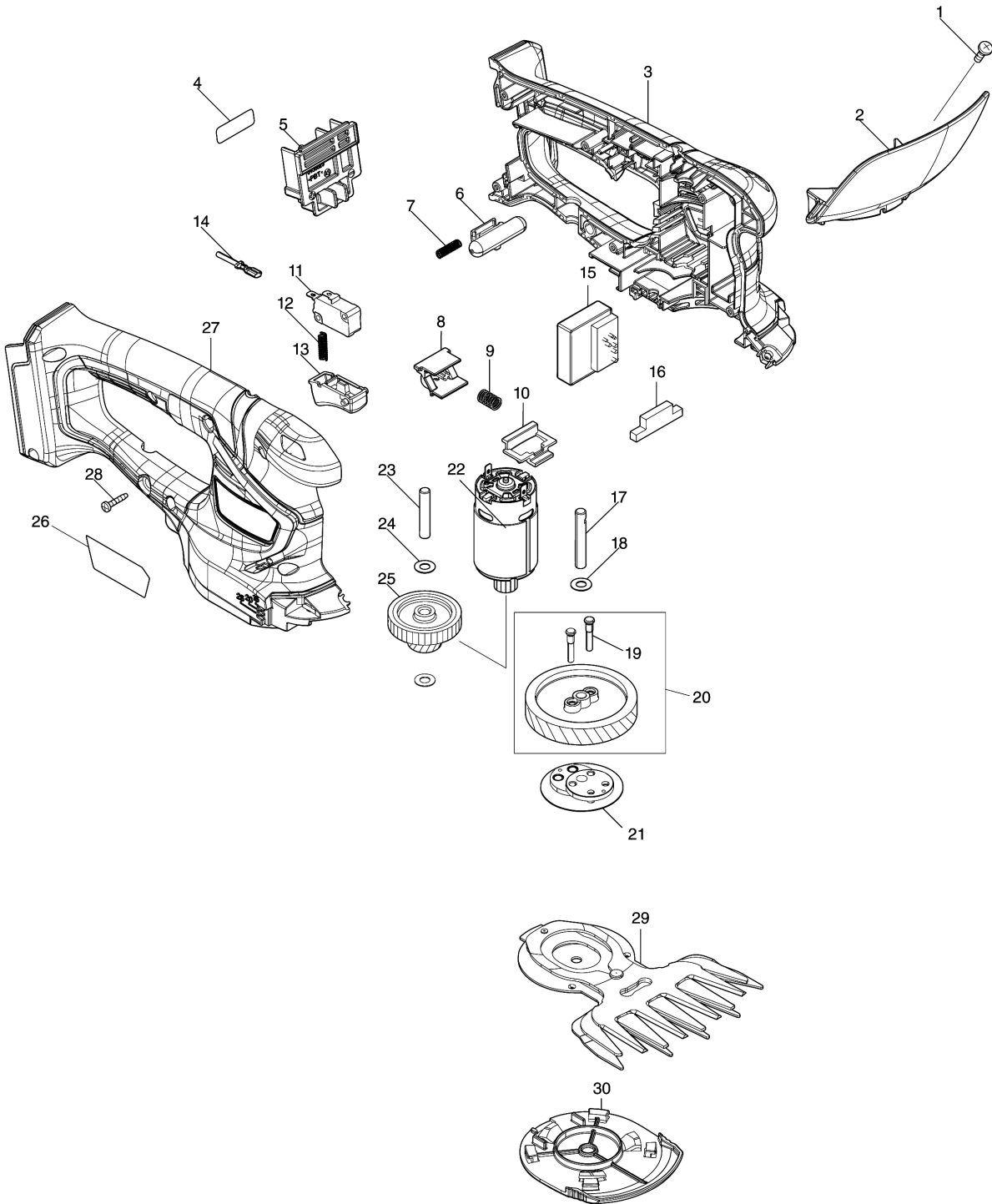


Model No.UM110D 110MM CORDLESS GRASS SHEAR



Model No.UM110D 110MM CORDLESS GRASS SHEAR

Item	Parts No.	Description	I/C	Qty	New/Old	Opt. 1	Opt. 2	Note
001	915116-7	BINDING HEAD SCREW M4X12		1				
002A	141C31-9	PROTECTOR COMPLETE		1	*			
C10	8030K3-8	CAUTION LABEL		1	*			
002-1A	140V97-0	PROTECTOR COMPLETE	<	1	*			
C10	819948-3	CAUTION LABEL		1	*			
002-1B	140V97-0	PROTECTOR COMPLETE		1	*			
C10	819948-3	CAUTION LABEL		1	*			
C11	819948-3	CAUTION LABEL	<	1	*			
002-2	1410D3-4	PROTECTOR COMPLETE	O	1				
C12	8072W3-6	CAUTION LABEL	O	1				
003	183G07-4	HOUSING SET		1	*			
C10	931102-0	HEX. NUT M4		1	*			
C20	346275-0	PLATE		2	*			
D10		INC. 27			*			
003-1	183U49-2	HOUSING SET	S	1				
C10	931102-0	HEX. NUT M4		1				
C20	346275-0	PLATE		2				
D10		INC. 27						
004	811935-8	UM110D SERIAL NO. LABEL		1				
005	643862-9	TERMINAL		1				
006	452438-9	LOCK OFF BUTTON		1	*			
006-1	413A16-6	LOCK OFF BUTTON	S	1				
007	231473-8	COMPRESSION SPRING 4		1				
008	454878-7	SLIDE PLATE		1				
009	234339-1	COMPRESSION SPRING 6		1				
010	454879-5	LOCK LEVER		1				
011	650744-8	SWITCH D3V-16-3C26		1				
012	231473-8	COMPRESSION SPRING 4		1				
013	417564-1	SWITCH LEVER		1				
014	632S19-1	LEAD UNIT		1				
015	620E39-3	CONTROLLER		1				
016	451814-4	DUST GUARD		1				
017	268254-7	PIN 6		1				
018	253715-0	FLAT WASHER 6		1				
019	268256-3	PIN 4		2				
020	135883-0	HELICAL GEAR 47 ASS'Y		1				
D10		INC. 19						
021	161598-3	CRANK COMPLETE		1				
022	629945-9	DC MOTOR		1				
023	268076-5	PIN 6		1				
024	253715-0	FLAT WASHER 6		2				
025	226831-1	GEAR 12-31		1				
026	811932-4	UM110D NAME PLATE		1				
027	183G07-4	HOUSING SET		1	*			
C10	931102-0	HEX. NUT M4		1	*			

Please order the parts with part number.

Print Date 19/2/2024

Model No.UM110D 110MM CORDLESS GRASS SHEAR

Item	Parts No.	Description	I/C	Qty	New/Old	Opt. 1	Opt. 2	Note
C20	346275-0	PLATE		2	*			
D10		INC. 3			*			
027-1	183U49-2	HOUSING SET	S	1				
C10	931102-0	HEX. NUT M4		1				
C20	346275-0	PLATE		2				
D10		INC. 3						
028	266429-2	TAPPING SCREW 3X16		6				
029	191N23-4	SHEAR BLADE ASSEMBLY 110 SET		1	*			
C10	188369-3	OIL VESSEL SET		1	*			
029-1	191N23-4	SHEAR BLADE ASSEMBLY 110 SET	O	1				
C10	188369-3	OIL VESSEL SET		1				
030	140451-6	UNDER COVER COMPLETE		1				
A01	191N24-2	SHEAR BLADE ASSEMBLY 200S SET		1				
C10	188369-3	OIL VESSEL SET		1				
A02	413885-9	BLADE COVER 110		1				
A03	413429-5	STORAGE COVER		1				
A04	458342-0	BLADE COVER		1				
A05	452652-7	BATTERY COVER		1				
A06A	***DC18WA	DC18WA BATTERY CHARGER		1				
D10		COMPO-PARTS						
A06B	***DC18WB	DC18WB BATTERY CHARGER		1				
A07	198186-3	BATTERY BL1815G SET		1	*			
A07-1	198186-3	BATTERY BL1815G SET	<	1				
E01	8030P0-9	SOUND XXDB LABEL		1				
F01	191N23-4	SHEAR BLADE ASSEMBLY 110 SET		1				
F02	191N24-2	SHEAR BLADE ASSEMBLY 200S SET		1				
F03	191N25-0	GRASS RECEIVER 110 SET		1				
C10	454880-0	GRASS RECEIVER 110		1				
F04	195267-4	SHEAR BLADE ASSEMBLY SET		1				
F06	198401-5	CHIP RECEIVER SET		1				
F07	198408-1	SHEAR BLADE ASSEMBLY 200 S SET		1				
F08	198412-0	GRASS RECEIVER 160 SET		1				
C10	457426-1	GRASS RECEIVER 160		1				

Please order the parts with part number.

Print Date 19/2/2024