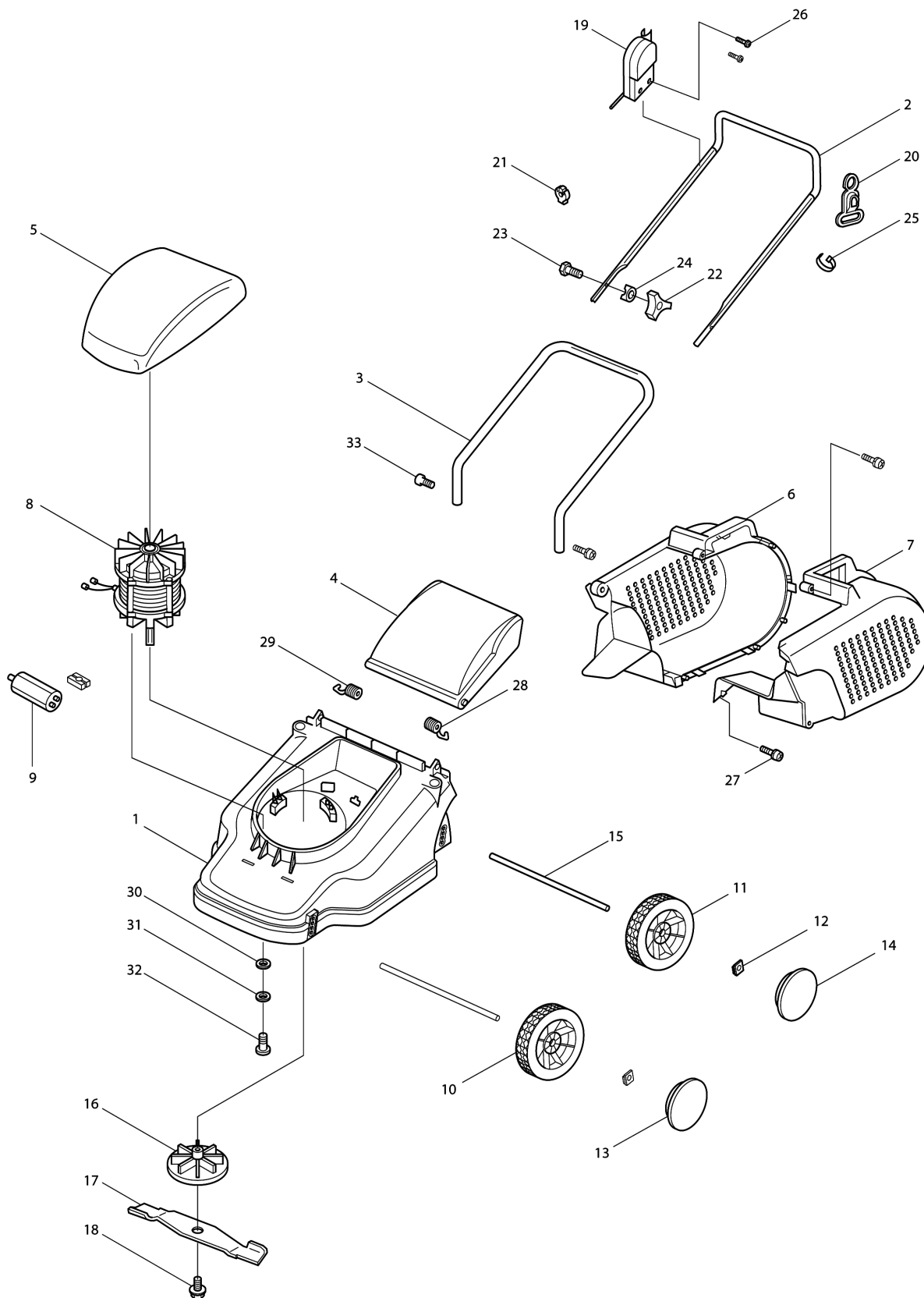


# Model No.UM320 LAWN MOWER





## Model No.UM320 LAWN MOWER

Item	Parts No.	Description	I/C	Qty	New/Old	Opt. 1	Opt. 2	Note
001	663549058	HOUSING		1				
002	663531401	HANDLE UPPER		1				
003	663513289	HANDLE LOWER		1				
004	663513273	COVER		1				
005	663513274	COWLING		1				
006	663513271	GRASS BOX RIGHT		1				
007	663513272	GRASS BOX LEFT		1				
008	663515184	MOTOR		1				
009	663312003	CONDENSOR UF12		1				
010	663513975	WHEEL FRONT		2				
011	663513976	WHEEL REAR		2				
012	663543474	RETAINER		4				
013	663505818	WHEEL COVER FRONT		2				
014	663512251	WHEEL COVER REAR		2				
015	663513282	FRONT/BACK AXLE		2				
016	663524431	FAN		1				
017	663516747	BLADE		1				
018	663505935	SECURING BOLT		1				
019	663548437	SWITCH		1				
020	663325518	CABLE HOLDER		1				
021	663531006	CLIP		1				
022	663512371	WING NUT M8		2				
023	663701771	FLAT SCREW M8X50		2				
024	663512369	WASHER 8		2				
025	663503145	SPRING CLIP		1				
026	663349507	SWITCH SCREW 3.5X25		2				
027	663518482	SCREW 5X20		2				
028	663531835	SPRING RIGHT		1				
029	663531834	SPRING LEFT		1				
030	663528610	SPRING WASHER 8.4X14X1.6		1				
031	663701765	TOOTHED WASHER M8		1				
032	663701909	SCREW M8X12		1				
033	663528989	SCREW 4.2X22		2				

Please order the parts with part number.

Print Date 4/7/2019

