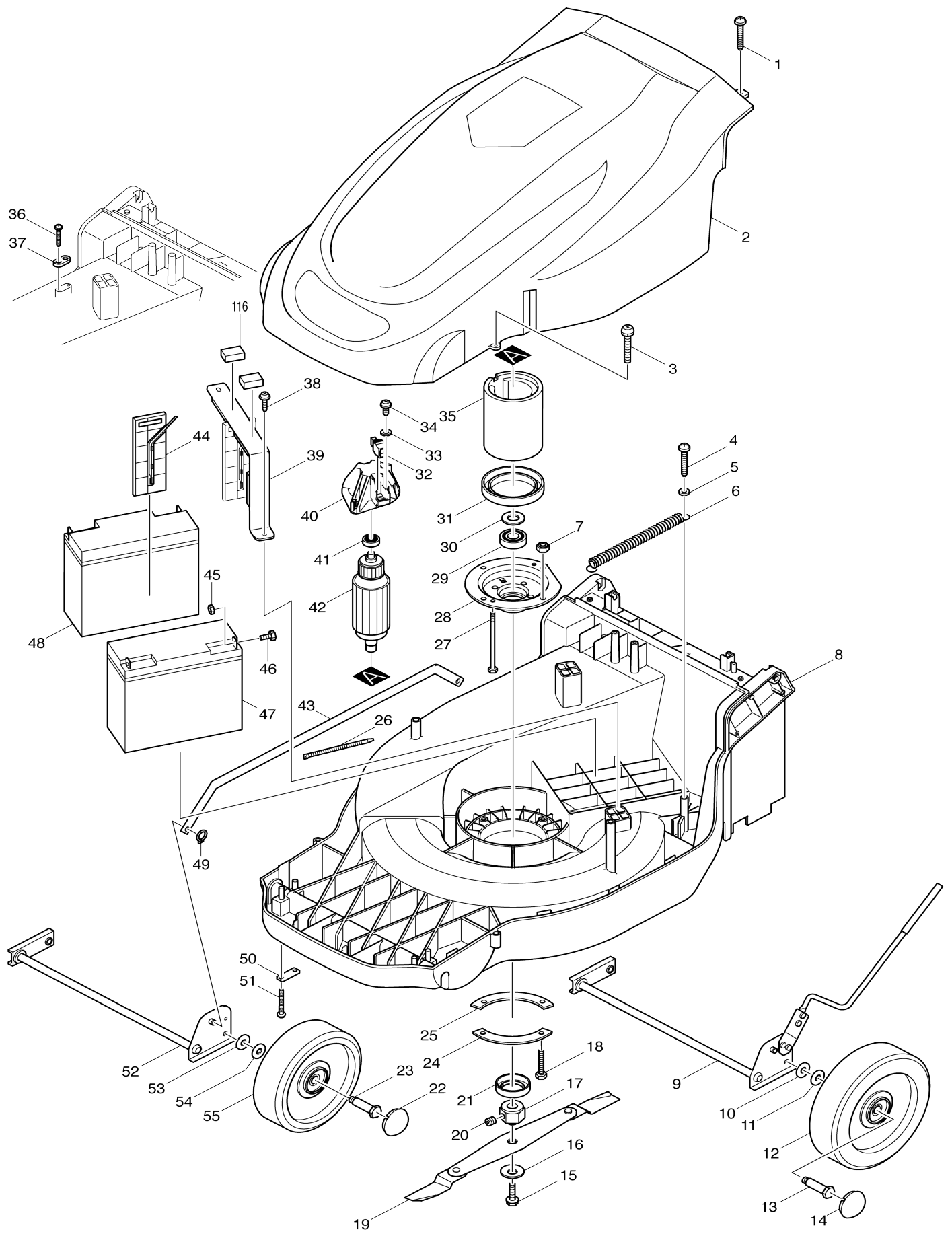
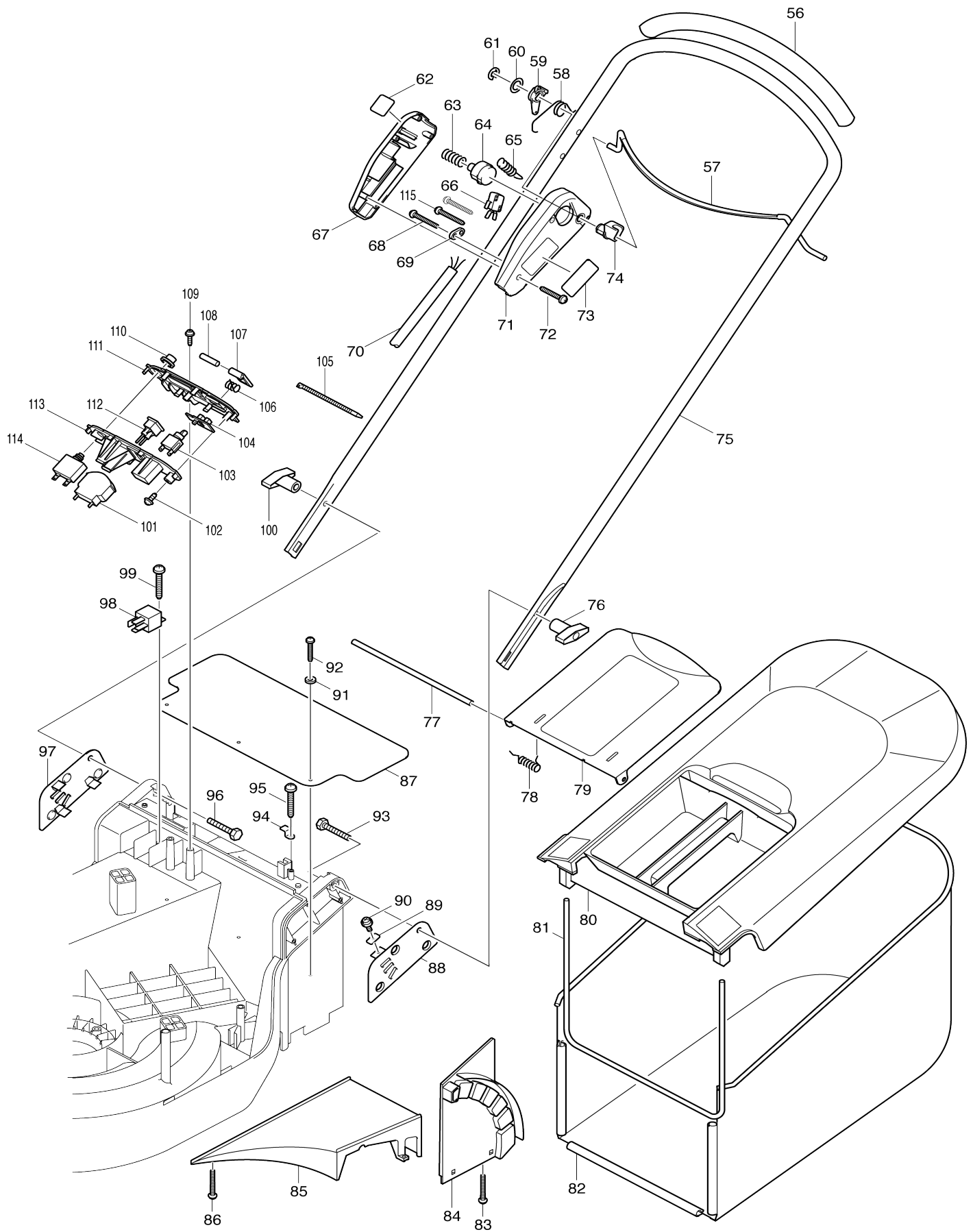


Model No.UM401D LAWN MOWER



Model No.UM401D LAWN MOWER



Model No.UM401D LAWN MOWER

Item No.	Parts No.	Description	Interchangability	Q'ty	New/Old	Note1	Note2
001	265995-6	TAPPING SCREW 4X18		2			
002A	150725-7	Cowling complete		1			
C10	819727-9	Indication label		1			
C20	819726-1	Makita logo label		1			
003	265999-8	TAPPING SCREW 4X25		2			
004	265995-6	TAPPING SCREW 4X18		1			
005	267071-2	FLAT WASHER 4		1			
006	231811-4	Tension spring 12		1			
007	252014-7	HEX. LOCK NUT M6-10		4			
008	416208-0	Deck		1			
009	163384-8	REAR SHAFT		1			
010	267052-6	FLAT WASHER 10		2			
011	267052-6	FLAT WASHER 10		2			
012	162192-4	Wheel 8"		2			
013	265450-8	BOLT 3/8-16UNC		2			
014	416258-5	WHEEL CAP		2			
015	251690-4	HEX. FLANGE HEAD BOLT M8X30		1			
016	232176-7	Coned disk spring 14		1			
017	331517-5	BLADE HOLDER		1			
018	921362-2	HEX. BOLT M6X40		4			
019	729015-5	Swing arm blade 406		1			
020	266162-6	Hex socket set screw (flat point) M8X8		1			
021	344550-8	Dust cover		1			
022	416258-5	WHEEL CAP		2			
023	265450-8	BOLT 3/8-16UNC		2			
024	344561-3	Fix plate		1			
025	344561-3	Fix plate		1			
026	687092-2	BAND		1			
027	265448-5	Hex head bolt M5X115		2			
028	344460-9	BEARING BOX		1			
029	211256-2	BALL BEARING 6203LLB		1			
030	267038-0	Flat washer 17		1			
031	416259-3	Plate		1			
032	191965-8	Carbon brush set		1			
033	253874-0	FLAT WASHER 4		2			
034	266020-6	TAPPING SCREW 4X12		2			
035	632781-4	Yoke unit		1			
036	265995-6	TAPPING SCREW 4X18		2			
037	687053-2	STRAIN RELIEF		1			
038	266041-8	TAPPING SCREW 5X25		2			
039	150680-3	BATTERY HOLDER COMPLETE		1			
040	416202-2	End bell		1			
041	211061-7	BALL BEARING 6000LLB		1			
042	125069-4	Motor assembly		1			
C10	619040-3	Armature		1			
D10		INC. 27-35,40,41					
043	344462-5	Connecting rod		1			

044	632784-8	Thermo-fuse complete		1			
045	652111-3	HEX. NUT M5		4			
046	652035-3	Hex head bolt M5X12		4			
047A_	678118-1	Battery		1			
048A_	678118-1	Battery		1			
049	961004-6	RETAINING RING (EXT) S-8		2			
050	341462-6	PLATE		4			
051	265995-6	TAPPING SCREW 4X18		8			
052	163385-6	FRONT SHAFT		1			
053	267052-6	FLAT WASHER 10		2			
054	267052-6	FLAT WASHER 10		2			
055	162191-6	Wheel 7"		2			
056	421580-7	HANDLE CUSHION(BLACK)		1			
057	331499-1	Switch lever		1			
058	231628-5	Torsion spring 20		1	*		
058-1	231639-0	Torsion spring 20	X	1			
059	416198-7	Lever		1	*		
059-1	416627-0	Lever	X	1			
060	253315-6	THIN WASHER 15		1			
061	961062-2	STOP RING E-12		1			
062	816768-6	Operation label		1			
063	233182-5	Compression spring 16		1			
064	416216-1	SWITCH BUTTON		1			
065	231812-2	Tension spring 5		1			
066	651948-5	Switch 1005.1010		1			
067	416201-4	Switch box cover (black)		1	*		
067-1	416609-2	Switch box cover (black)	X	1			
068	265995-6	TAPPING SCREW 4X18		2			
069	687053-2	STRAIN RELIEF		1			
070	664440-2	Cord unit		1			
071	416200-6	SWITCH BOX		1	*		
071-1	416608-4	SWITCH BOX	X	1			
072	265995-6	TAPPING SCREW 4X18		4			
073	858717-7	Name plate UM401DW		1			
074	416199-5	Switch lever arm		1			
075	165210-7	Handle		1			
076	252641-0	WING NUT M8		1			
077	322925-1	REAR GUARD SHAFT		1			
078	231627-7	Torsion spring 8		2			
079B_	150724-9	REAR GUARD COMPLETE		1			
C10	810880-4	Caution label		1			
080B_	150723-1	Rear bag cover complete (blue)		1			
C10	810885-4	Caution label		1			
C20	810886-2	Caution label		1			
081	322926-9	Rear bag rod		1			
082	166045-9	Rear bag		1			
083	265995-6	TAPPING SCREW 4X18		2			
084	150696-8	Height adjuster complete		1			
C10	816769-4	Scale label		1			
085	416205-6	Under cover (gray)		1			
086	265995-6	TAPPING SCREW 4X18		3			

087	423299-4	UNDER GUARD		1		
088	165209-2	HANDLE HOLDER L		1		
089	344557-4	Holder plate		6		
090	911116-5	PAN HEAD SCREW M4X12		6		
091	267071-2	FLAT WASHER 4		3		
092	265995-6	TAPPING SCREW 4X18		3		
093	921472-5	HEX. BOLT M8X50		1		
094	344454-4	SHAFT HOLDER		2		
095	265995-6	TAPPING SCREW 4X18		2		
096	921472-5	HEX. BOLT M8X50		1		
097	165208-4	HANDLE HOLDER R		1		
098	652731-3	Relay		1		
099	265995-6	TAPPING SCREW 4X18		1		
100	252641-0	WING NUT M8		1		
101	679503-1	Indicator		1		
102	266020-6	TAPPING SCREW 4X12		2		
103	651420-7	Switch ST115A-40-D		1		
104	416196-1	Switch plate		1		
105	687092-2	BAND		1		
106	231602-3	Torsion spring 4		1		
107	416217-9	Inlet cover (gray)		1		
108	951075-1	SPRING PIN 3-28		1		
109	266041-8	TAPPING SCREW 5X25		2		
110	416279-7	CAP		1		
111	182905-7	Control panel set		1		
D10		INC. 113				
112	655412-8	Inlet		1		
113	182905-7	Control panel set		1		
D10		INC. 111				
114	652730-5	Overcurrent relay		1		
115	266172-3	Pan head tapping screw 6X30		2		
116	421585-7	SPONGE SHEET B		1		
A01	416197-9	Key		1		
A02	781028-4	WRENCH 32		1		
A03	782226-3	Box wrench 13		1	*	
A03-1	782227-1	Box wrench 13	O	1		
A04	416211-1	Mulching plate		1		

Please state Parts No. when your order.

Print Date 25/10/2023