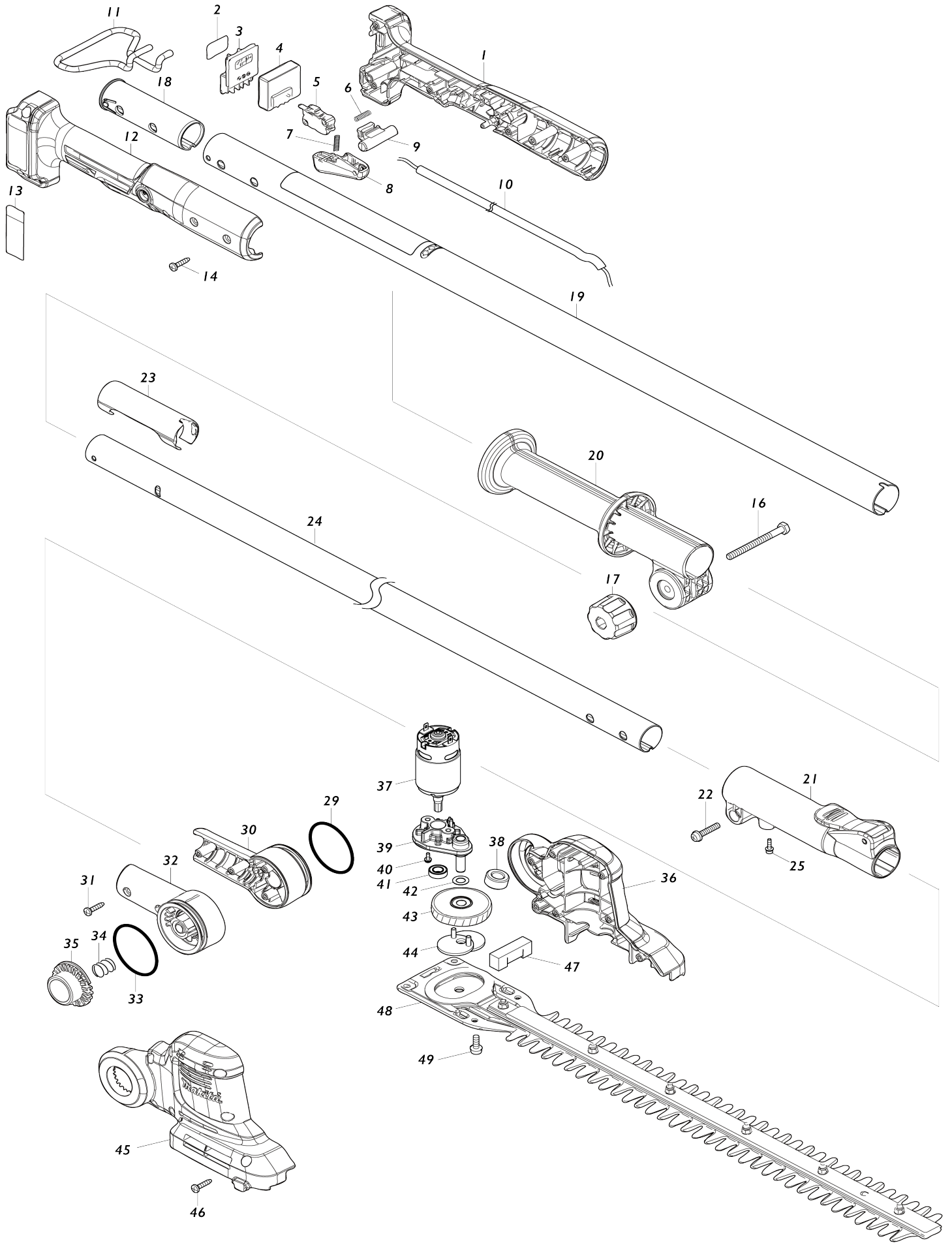


Model No.UN460WD 460MM DC POLE HEDGE TRIMMER



Model No.UN460WD 460MM DC POLE HEDGE TRIMMER

Item No.	Parts No.	Description	Interchangeability	Q'ty	New/Old	Note1	Note2
001	183T12-9	GRIP HOUSING SET		1			
C10	263002-9	RUBBER PIN 4		2			
D10		INC. 12					
002	811M48-3	UN460WD SERIAL NO. LABEL		1			
003	644813-5	TERMINAL		1			
004	620F43-8	CONTROLLER		1			
005	651398-4	SWITCH BMC-1112-001		1			
006	231473-8	COMPRESSION SPRING 4		1			
007	231473-8	COMPRESSION SPRING 4		1			
008	413714-6	SWITCH LEVER		1			
009	413713-8	LOCK OFF BUTTON A		1			
010	699168-3	POWER SUPPLY CORD UNIT		1			
C10	654069-2	RECEPTACLE		2			
011	327810-3	BATTERY GUARD		1			
012	183T12-9	GRIP HOUSING SET		1			
C10	263002-9	RUBBER PIN 4		2			
D10		INC. 1					
013	811M46-7	UN460WD NAME PLATE		1			
014	266326-2	TAPPING SCREW 4X18		6			
016	921362-2	HEX. BOLT M6X40		1			
017	264072-1	THUMB NUT M6		1			
C10	931302-2	HEX. NUT M6		1			
018	413712-0	PIPE CAP 32		1			
019	141B61-4	PIPE 32 COMPLETE		1	*		
C10	8008A7-9	CAUTION LABEL		1	*		
C20	808723-2	CAUTION LABEL		1	*		
020	413719-6	FRONT GRIP A		1			
021	141C39-3	PIPE HOLDER 32 COMPLETE		1			
C10	252103-8	HEX. LOCK NUT M5-8		1			
022	911243-8	PAN HEAD SCREW M5X25		1			
023	413711-2	PIPE CAP 28		1			
024	327815-3	PIPE 28		1	*		
025	251568-1	H.S.H.BOLT M3X12 WITH WR		1			
029	213616-4	O RING 48		1			
030	183T14-5	PIPE HOLDER SET		1			
D10		INC. 32					
031	266326-2	TAPPING SCREW 4X18		4			
032	183T14-5	PIPE HOLDER SET		1			
D10		INC. 30					
033	213616-4	O RING 48		1			
034	231113-8	COMPRESSION SPRING 12		1			
035	413715-4	LOCK OFF BUTTON B		1			
036	183T13-7	MOTOR HOUSING SET		1			
C10	263005-3	RUBBER PIN 6		4			
D10		INC. 45					
037	629A64-7	DC MOTOR		1			
038	688131-1	LINE FILTER		1	*		

038-1	688131-1	LINE FILTER	O	1		
039	141B58-3	MOTOR HOLDER COMPLETE		1		
040	265199-0	+ PAN HEAD SCREW M3X8		2		
041	210124-6	BALL BEARING 688ZZ		1		
042	253215-0	FLAT WASHER 8		1		
043	141B59-1	GEAR COMPLETE		1		
044	165734-3	CRANK		1	*	
044-1	162C43-9	CRANK	O	1		
045	183T13-7	MOTOR HOUSING SET		1		
C10	263005-3	RUBBER PIN 6		4		
D10		INC. 36				
046	266326-2	TAPPING SCREW 4X18		7		
047	424958-3	SPONGE SEAL		1		
048	191P00-8	SHEAR BLADE 460 ASSEMBLY SET		1		
C10	188369-3	OIL VESSEL SET		1		
049	265074-0	PAN HEAD SCREW M5X16		4		
050	136621-3	PIPE ASSEMBLY		1		
C10	8008A7-9	CAUTION LABEL		1		
C20	808723-2	CAUTION LABEL		1		
D10		INC. 21-23,25				
A01	413720-1	BLADE COVER		1		
E01	800A44-4	SOUND 88DB LABEL		1		
F01	191P00-8	SHEAR BLADE 460 ASSEMBLY SET		1		
F02	191T43-4	CHIP RECEIVER ASSEMBLY 460 SET		1		

Please state Parts No. when your order.

Print Date 12/05/2023