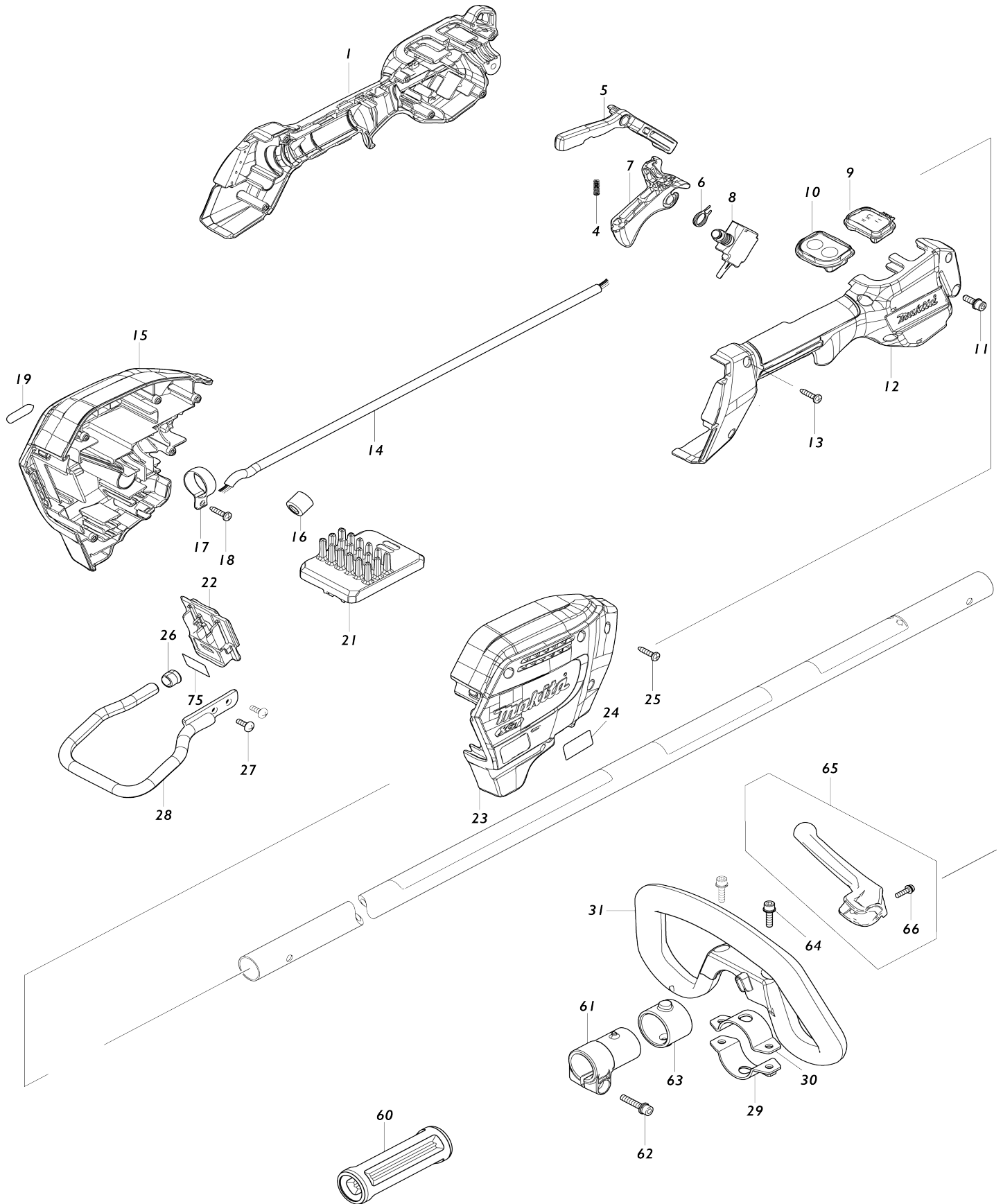
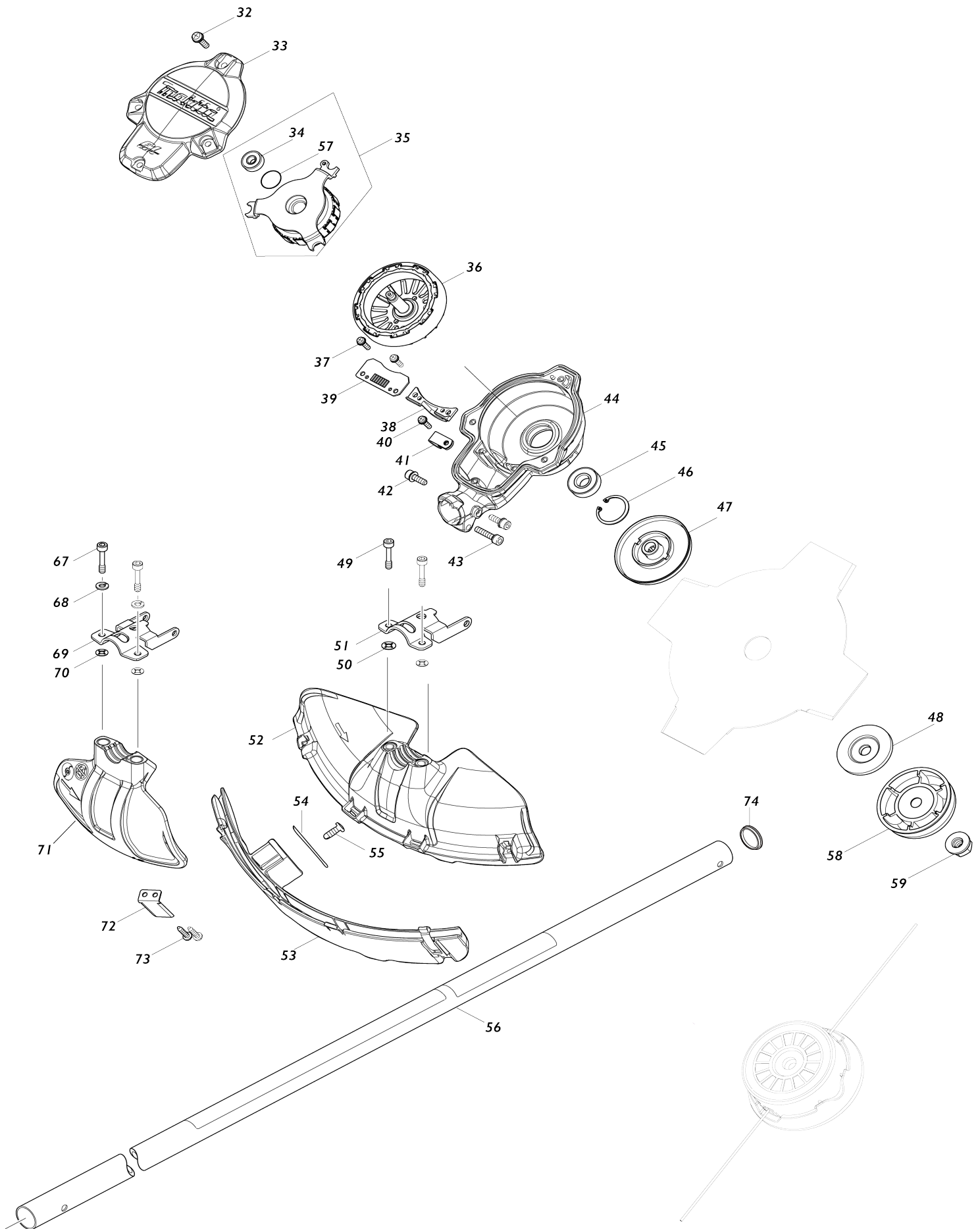


# Model No.UR003G CORDLESS GRASS TRIMMER



# Model No.UR003G CORDLESS GRASS TRIMMER



Model No.UR003G CORDLESS GRASS TRIMMER

Item No.	Parts No.	Description	Interchangeability	Q'ty	New/Old	Note1	Note2
F01	199140-0	GUIDE RAIL 1000 SET		1			
F02	199141-8	GUIDE RAIL 1500 SET		1			
F03	194368-5	GUIDE RAIL 1400 SET		1			
F04	194925-9	GUIDE RAIL 1900 SET		1			
F05	194367-7	GUIDE RAIL 3000 SET		1			
F06	194416-0	SHEET 10000 SET		1			
F07	194417-8	RUBBER SHEET 10000 SET		1			
F08	194418-6	POSITION SHEET 1400 SET		1			
F09	194910-2	POSITION SHEET 1900 SET		1			
001	183S36-9	GRIP SET		1			
D10		INC. 12					
004	233101-1	COMPRESSION SPRING 4		1			
005	459759-0	LOCK OFF LEVER		1			
006	233622-3	TORSION SPRING 12		1			
007	459758-2	SWITCH LEVER		1			
008	651492-2	SWITCH C3JR-1A-PAXD3		1			
009	141B31-3	INDICATION CIRCUIT COMPLETE		1			
010	140W06-5	SWITCH CIRCUIT COMPLETE G		1			
C10	819J26-9	SWITCH LABEL		1			
011	922233-6	H.S.H.BOLT M5X20 WITH WR		1			
012	183S36-9	GRIP SET		1			
D10		INC. 1					
013	266326-2	TAPPING SCREW 4X18		6			
014	699159-4	POWER SUPPLY CORD UNIT		1			
015	183S34-3	HOUSING SET		1			
C10	263005-3	RUBBER PIN 6		2			
D10		INC. 23					
016	688163-8	LINE FILTER		1			
017	346248-3	CLAMP 24		1			
018	266326-2	TAPPING SCREW 4X18		1			
019	8012U4-2	XGT LOGO LABEL		1			
021	620E47-4	CONTROLLER		1	*		
021-1	620J66-0	CONTROLLER	S	1			
022	632P49-4	TERMINAL UNIT		1			
023	183S34-3	HOUSING SET		1			
C10	263005-3	RUBBER PIN 6		2			
D10		INC. 15					
024	811A61-9	UR003G NAME PLATE		1			
025	266326-2	TAPPING SCREW 4X18		5			
026	422230-7	CAP		1			
027	266420-0	TAPPING SCREW 5X20		2			
028	347752-5	BATTERY GUARD		1			
029	347114-7	LOWER CLAMP 35		1			
030	347113-9	UPPER CLAMP 35		1			
031	457267-5	LOOP HANDLE		1			
C10	263005-3	RUBBER PIN 6		1			
032	911233-1	PAN HEAD SCREW M5X20		4			

033	413335-4	TOP COVER		1		
034	210062-2	BALL BEARING 607ZZ		1		
035	529146-8	STATOR ASS'Y		1	*	
D10		INC. 34,57				
035-1	520136-4	STATOR ASS'Y	S	1		
D10		INC. 34,57				
036	619462-7	ROTOR		1		
037	911128-8	P.H.SCREW M4X16 WITH WR		2		
038	455628-3	INNER COVER		1		
039	620E48-2	CONTROLLER B		1		
040	911128-8	P.H.SCREW M4X16 WITH WR		1		
041	687042-7	STRAIN RELIEF		1		
042	922223-9	H.S.H.BOLT M5X16 WITH WR		2		
043	922241-7	HEX. SOCKET HEAD BOLT M5X25		1		
044	141A05-8	MOTOR HOUSING COMPLETE		1		
045	211131-2	BALL BEARING 6001DDW		1		
046	962106-1	RETAINING RING R-28		1		
047	140L84-9	RECEIVE WASHER COMPLETE G		1		
048	346084-7	CLAMP WASHER		1		
049	266896-1	HEX. SOCKET HEAD BOLT M5X20		2		
050	261156-6	POLYPROPYLENE WASHER 4		2		
051	346785-7	PROTECTOR CLAMP		1		
052	413336-2	PROTECTOR		1		
053	141A09-0	PROTECTOR U EXT. 350 COMPLETE		1		
054	347115-5	CUTTER		1		
055	266388-0	TAPPING SCREW 5X16		1		
056	141B05-4	PIPE COMPLETE O		1		
C10	819312-8	MAKITA LOGO LABEL		1		
C20	819J22-7	CAUTION LABEL		1		
057	213325-5	O RING 19		1		
058	168526-9	CUP		1		
059	264025-0	HEX. NUT M10-17		1		
060	451601-1	SPACER 24		1		
061	457269-1	PIPE HOLDER 24		1		
062	922244-1	H.S.H.BOLT M5X25 WITH WG		1		
063	424942-8	DAMPER		1		
064	922234-4	H.S.H.BOLT M5X20 WITH WG		2		
065	144315-6	BARRIER COMPLETE		1		
D10		INC. 66				
066	911128-8	P.H.SCREW M4X16 WITH WR		1		
074	422727-6	RUBBER CAP 24		1		
075	811A67-7	UR003G SERIAL NO. LABEL		1		
A01	127508-0	BAND ASS'Y		1		
A02	198893-8	CUTTER ASSEMBLY 95-M10L SET ME		1		
A03	783013-3	BOX DRIVER 16-17		1		
A04	783202-0	HEX. WRENCH 4		1		
A05	831304-7	ACCESSORY BAG		1		
A06	126642-3	PLASTIC BLADE ASSEMBLY255-M10L		1		
A07	195150-5	CUTTER BLADE SET		1		

A08	456924-2	TOOL COVER		1			
E01	8030T4-9	SOUND XXDB LABEL		1	*		
E01-1	807E85-5	SOUND 92DB LABEL	<	1			
F09	197472-9	NYLON CORD 2.0-15M SET		1			
F10	197473-7	NYLON CORD 2.0-30M SET		1			
F11	197474-5	NYLON CORD 2.0-160M SET		1			
F12	197475-3	NYLON CORD 2.0-280M SET		1			
F17	198502-9	NYLON CORD 2.4-30M SET		1			
F18	198503-7	NYLON CORD 2.4-120M SET		1			
F19	198504-5	NYLON CORD 2.4-180M SET		1			

Please state Parts No. when your order.

Print Date 03/01/2024