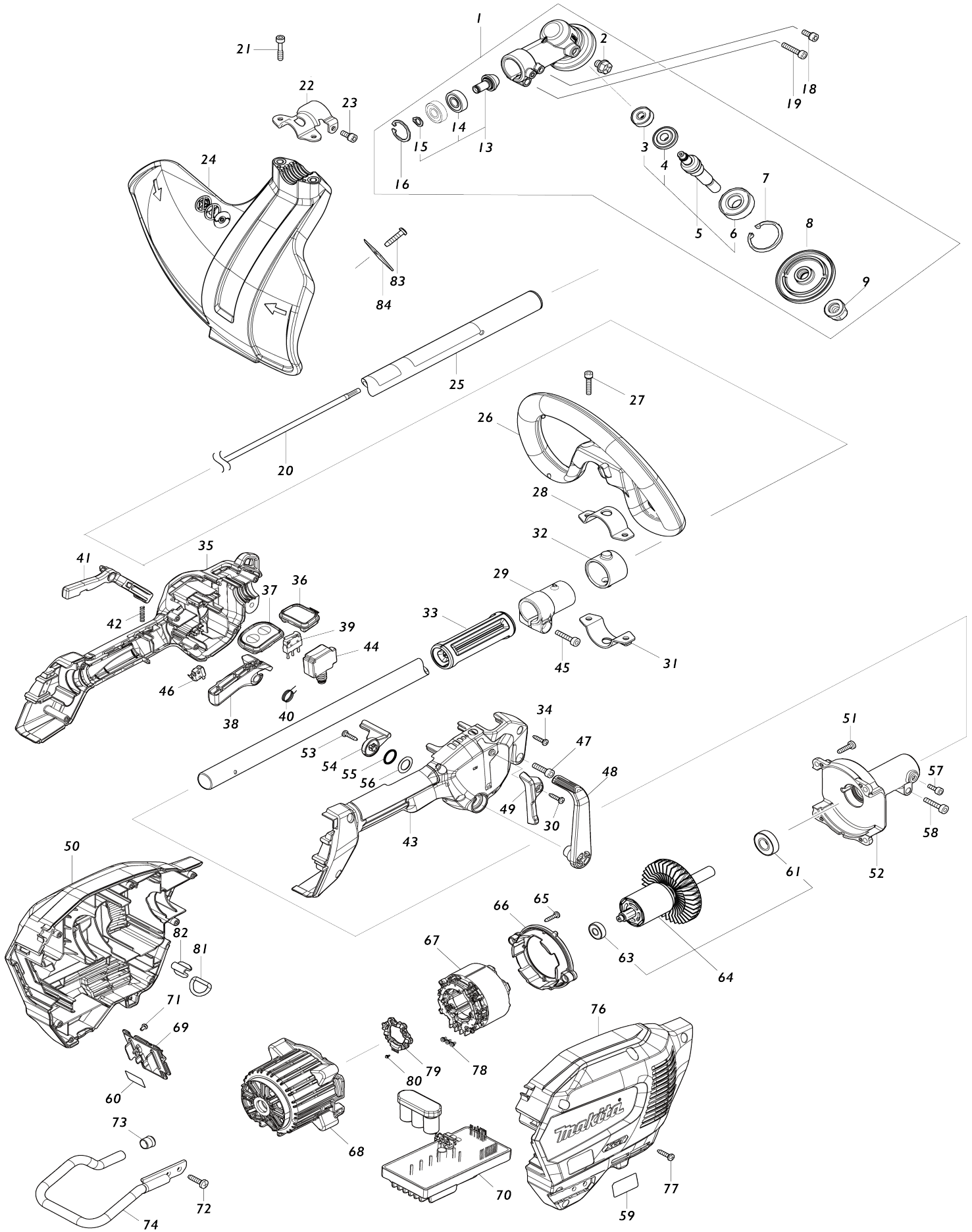


# Model No.UR014G CORDLESS GRASS TRIMMER



Model No.UR014G CORDLESS GRASS TRIMMER

Item No.	Parts No.	Description	Interchangeability	Q'ty	New/Old	Note1	Note2
001	122D73-8	GEAR CASE ASSEMBLY R		1			
D10		INC. 2,5,7-9,13,16					
002	265590-2	+HEX.BOLT M8X10 WITH R		1			
003	210030-5	BALL BEARING 627ZZ		1			
004	227A47-7	ZEROL BEVEL GEAR 21		1			
005	136860-5	CUTTER SHAFT US ASSEMBLY		1			
D10		INC. 3,4,6					
006	211228-7	BALL BEARING 6202DDW		1			
007	259069-3	RETAINING RING (INT) R-35		1			
008	327B76-7	RECEIVE WASHER R		1			
009	252236-9	HEX. LOCK NUT M10-17		1			
013	136861-3	SPIRAL BEVEL GEAR ASSEMBLY		1			
D10		INC. 14,15					
014	210157-1	BALL BEARING 609ZZ		2			
015	259071-6	RETAINING RING (EXT) S-9		1			
016	259072-4	RETAINING RING (INT)R-24		1			
018	922216-6	H.S.H.BOLT M5X14 WITH W		1			
019	922353-6	HEX.SOCKET HEAD BOLT M6X30		1			
020	327056-1	SHAFT		1			
021	266280-0	HEX. SOCKET HEAD BOLT M6X25		2			
022	347B13-5	PROTECTOR CLAMP 25G		1			
023	922216-6	H.S.H.BOLT M5X14 WITH W		1			
024	413N78-2	PROTECTOR 450		1			
025	141N31-5	SHAFT PIPE COMPLETE C		1			
C10	819312-8	MAKITA LOGO LABEL		1			
C20	8063Y2-5	CAUTION LABEL		1			
026	457267-5	LOOP HANDLE		1			
027	922234-4	H.S.H.BOLT M5X20 WITH WG		2			
028	347113-9	UPPER CLAMP 35		1			
029	413P01-9	PIPE HOLDER 25		1			
030	266326-2	TAPPING SCREW 4X18		1			
031	347114-7	LOWER CLAMP 35		1			
032	424942-8	DAMPER		1			
033	413P05-1	SPACER 25		1			
034	266326-2	TAPPING SCREW 4X18		6			
035	183X43-2	GRIP SET		1			
C10	931202-6	HEX. NUT M5		1			
D10		INC. 43					
036	141N51-9	INDICATION CIRCUIT COMPLETE E		1			
037	141N47-0	SWITCH CIRCUIT COMPLETE G		1			
C10	8064D9-0	SWITCH LABEL		1			
038	413N93-6	SWITCH LEVER		1			
039	632U35-5	SWITCH UNIT		1			
040	233622-3	TORSION SPRING 12		1			
041	413P00-1	LOCK OFF LEVER		1			
042	233101-1	COMPRESSION SPRING 4		1			
043	183X43-2	GRIP SET		1			

C10	931202-6	HEX. NUT M5		1		
D10		INC. 35				
044	651492-2	SWITCH C3JR-1A-PAXD3		1		
045	922244-1	H.S.H.BOLT M5X25 WITH WG		1		
046	632U36-3	SWITCH UNIT		1		
047	922233-6	H.S.H.BOLT M5X20 WITH WR		1		
048	413N94-4	CONTROL LEVER		1		
049	413P03-5	GUARD		1		
050	183X40-8	HOUSING SET		1		
C10	263005-3	RUBBER PIN 6		2		
C20	8025F3-0	XGT LOGO LABEL		1		
D10		INC. 76				
051	266420-0	TAPPING SCREW 5X20		4		
052	136862-1	PIPE BRACKET ASS'Y		1		
C10	263002-9	RUBBER PIN 4		1		
053	266326-2	TAPPING SCREW 4X18		1		
054	413N95-2	LINK		1		
055	213154-6	O RING 14		1		
056	253798-0	FLAT WASHER 13		1		
057	922211-6	H.S.H.BOLT M5X12 WITH W		1		
058	922353-6	HEX.SOCKET HEAD BOLT M6X30		1		
059	8585W2-9	UR014G NAME PLATE		1		
060	8585W9-5	UR014G SERIAL NO. LABEL		1		
061	210244-6	BALL BEARING 6001ZZ		1		
063	210062-2	BALL BEARING 607ZZ		1		
064	510551-0	ROTOR ASS'Y		1		
D10		INC. 61,63				
065	266326-2	TAPPING SCREW 4X18		2		
066	413N96-0	BAFFLE PLATE		1		
067	629B96-0	STATOR		1		
068	413N72-4	MOTOR HOUSING		1		
069	632T07-4	TERMINAL UNIT		1		
070	620K90-9	CONTROLLER		1		
071	652031-1	PAN HEAD SCREW M3X6		2		
072	266420-0	TAPPING SCREW 5X20		2		
073	422230-7	CAP		1		
074	327B36-9	BATTERY GUARD		1		
076	183X40-8	HOUSING SET		1		
C10	263005-3	RUBBER PIN 6		2		
C20	8025F3-0	XGT LOGO LABEL		1		
D10		INC. 50				
077	266326-2	TAPPING SCREW 4X18		7		
078	652069-6	FLAT HEAD SCREW M3X6		3		
079	632R96-7	SENSOR UNIT		1		
080	652093-9	PAN HEAD SCREW M2X5		3	*	
080-1	652119-7	PAN HEAD SCREW M2X6	O	3		
081	327742-4	D RING 20		1		
082	347783-4	RING SUPPORT		1		
083	266388-0	TAPPING SCREW 5X16		2		
084	347B15-1	CUTTER		1		
A01	127759-5	BAND ASSEMBLY L		1		

A02	782210-8	SOCKET WRENCH 17		1			
A03	783202-0	HEX. WRENCH 4		1			
A04	783217-7	HEX. WRENCH 5		1			
A05	1911Y3-7	TRIMMER HEAD 121-SP SET		1			
A08	831304-7	ACCESSORY BAG		1			
E01	807950-8	SOUND 95DB LABEL		1			

Please state Parts No. when your order.

Print Date 26/10/2023