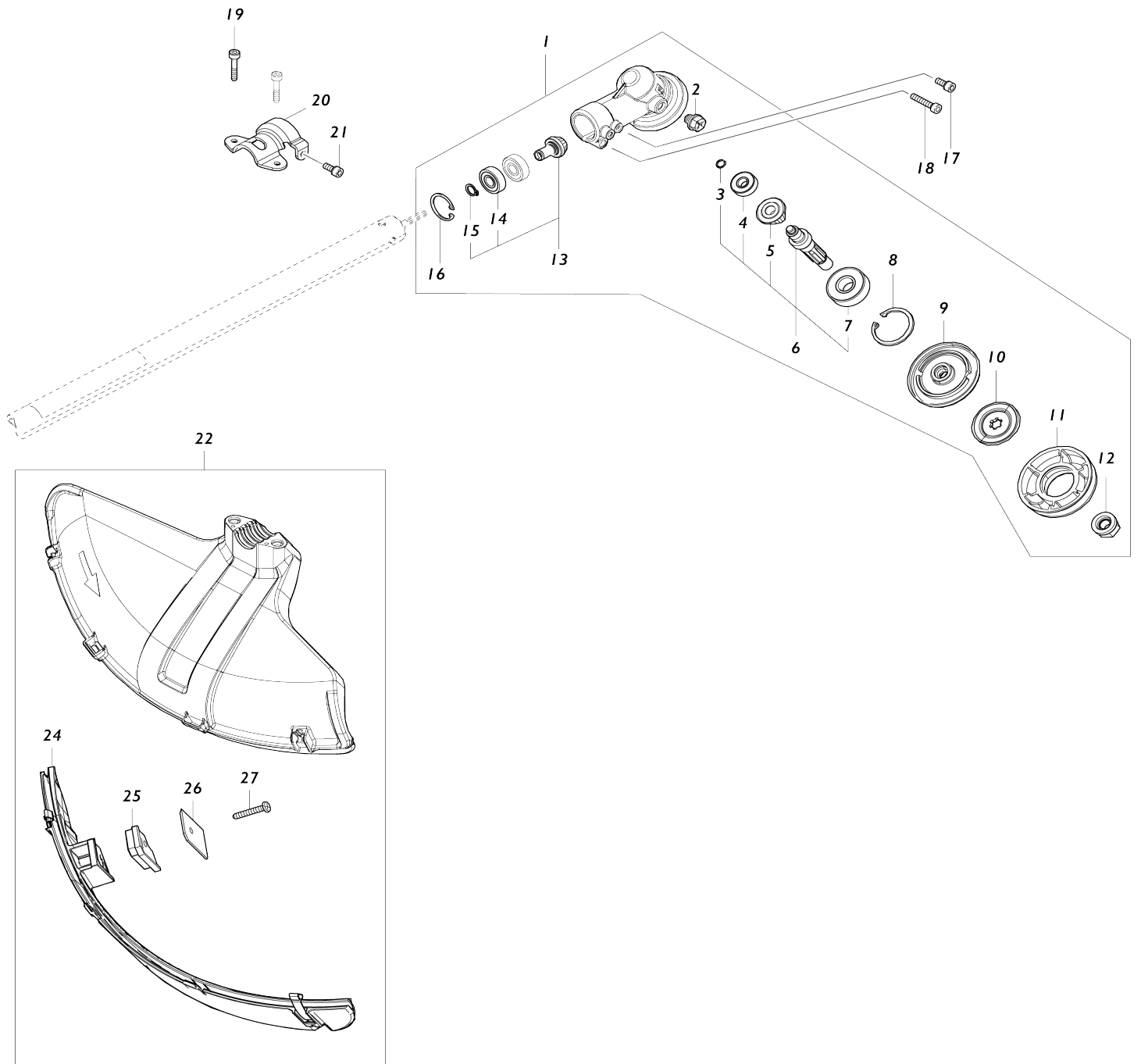
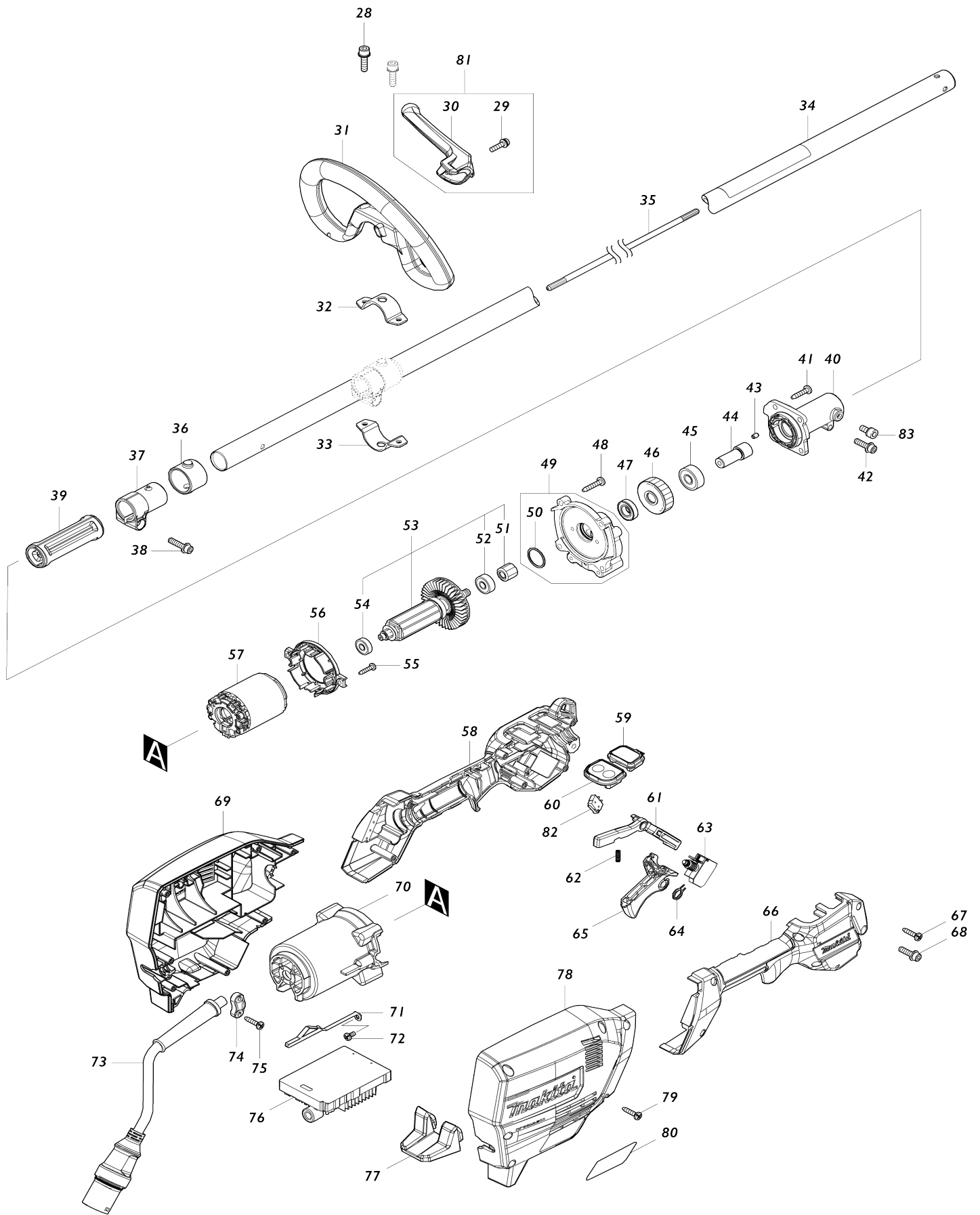


# Model No.UR201C BATTERY POWERED GRASS TRIMMER



# Model No.UR201C BATTERY POWERED GRASS TRIMMER



Model No.UR201C BATTERY POWERED GRASS TRIMMER

Item No.	Parts No.	Description	Interchangability	Q'ty	New/Old	Note1	Note2
F01	199140-0	GUIDE RAIL 1000 SET		1			
F02	199141-8	GUIDE RAIL 1500 SET		1			
F03	194368-5	GUIDE RAIL 1400 SET		1			
F04	194925-9	GUIDE RAIL 1900 SET		1			
F05	194367-7	GUIDE RAIL 3000 SET		1			
F06	194416-0	SHEET 10000 SET		1			
F07	194417-8	RUBBER SHEET 10000 SET		1			
F08	194418-6	POSITION SHEET 1400 SET		1			
F09	194910-2	POSITION SHEET 1900 SET		1			
001	123853-1	GEAR CASE ASSEMBLY		1			
D10		INC. 2,6,8-13,16					
002	265590-2	+HEX.BOLT M8X10 WITH R		1			
003	232350-7	RING SPRING 6		1			
004	210030-5	BALL BEARING 627ZZ		1			
005	221484-1	SPIRAL BEVEL GEAR 19		1			
006	136233-2	CUTTER SHAFT ASS'Y		1			
D10		INC. 3-5,7					
007	211228-7	BALL BEARING 6202DDW		1			
008	257432-4	RETAINING RING R-35		1			
009	144312-2	RECEIVE WASHER COMPLETE		1			
010	347104-0	CLAMP WASHER		1			
011	457274-8	CUP US		1			
012	252236-9	HEX. LOCK NUT M10-17		1			
013	136235-8	SPIRAL BEVEL GEAR ASS'Y		1			
D10		INC. 14,15					
014	210049-4	BALL BEARING 609ZZ		2			
015	257986-1	RETAINING RING (EXT) S-9		1			
016	257987-9	RETAINING RING (INT)R-24		1			
017	922216-6	H.S.H.BOLT M5X14 WITH W		1			
018	922242-5	HEX. SOCKET HEAD BOLT M5X25		1			
019	251513-6	H.S.H.BOLT M5X25		2			
020	347107-4	PROTECTOR CLAMP 24		1			
021	922216-6	H.S.H.BOLT M5X14 WITH W		1			
022	191B54-1	PROTECTOR U 430 SET MG		1			
D10		INC. 24-27					
024	144316-4	PROTECTOR U EXT. 420-450 COMP		1			
C10	346696-6	HOOK		2			
C20	232284-4	LEAF SPRING		2			
025	459765-5	CUTTER EXTENSION		1			
026	347115-5	CUTTER		1			
027	266459-3	TAPPING SCREW 5X25		1			
028	922234-4	H.S.H.BOLT M5X20 WITH WG		2			
029	911128-8	P.H.SCREW M4X16 WITH WR		1			
030	457268-3	BARRIER		1			
031	457267-5	LOOP HANDLE		1			
C10	263005-3	RUBBER PIN 6		1			
032	347113-9	UPPER CLAMP 35		1			

033	347114-7	LOWER CLAMP 35		1		
034	140S82-5	SHAFT PIPE COMPLETE I		1		
C10	819312-8	MAKITA LOGO LABEL		1		
C20	819J22-7	CAUTION LABEL		1		
035	327056-1	SHAFT		1		
036	424942-8	DAMPER		1		
037	457269-1	PIPE HOLDER 24		1		
038	922244-1	H.S.H.BOLT M5X25 WITH WG		1		
039	451601-1	SPACER 24		1		
040	319919-5	PIPE BRACKET		1		
041	911233-1	PAN HEAD SCREW M5X20		4		
042	922233-6	H.S.H.BOLT M5X20 WITH WR		1		
043	263002-9	RUBBER PIN 4		1		
044	325811-5	SPINDLE HUB		1		
045	211131-2	BALL BEARING 6001DDW		1		
046	226931-7	HELICAL GEAR 29		1		
047	211150-8	BALL BEARING 6901ZZ		1		
048	266459-3	TAPPING SCREW 5X25		4		
049	136230-8	GEAR BOX ASS'Y		1		
D10		INC. 50				
050	213961-7	O RING 22		1		
051	226932-5	HELICAL GEAR 10		1		
052	210005-4	BALL BEARING 608DDW		1		
053	519587-6	ROTOR ASS'Y		1		
D10		INC. 51,52,54				
054	210062-2	BALL BEARING 607ZZ		1		
055	266326-2	TAPPING SCREW 4X18		2		
056	459764-7	BAFFLE PLATE		1		
057	629471-8	STATOR		1	*	
057-1	629C13-6	STATOR	S	1		
058	183N26-2	GRIP SET		1		
D10		INC. 66				
059	140K37-2	INDICATION CIRCUIT COMPLETE E		1		
060	140W06-5	SWITCH CIRCUIT COMPLETE G		1		
C10	819J26-9	SWITCH LABEL		1		
061	459759-0	LOCK OFF LEVER		1		
062	233101-1	COMPRESSION SPRING 4		1		
063	651436-2	SWITCH C3JW-1A-P-2		1		
064	233622-3	TORSION SPRING 12		1		
065	459758-2	SWITCH LEVER		1		
066	183N26-2	GRIP SET		1		
D10		INC. 58				
067	266326-2	TAPPING SCREW 4X18		6		
068	922233-6	H.S.H.BOLT M5X20 WITH WR		1		
069	183N70-9	HOUSING SET		1		
D10		INC. 78				
070	459763-9	MOTOR HOUSING		1		
071	347620-2	PLATE		1	*	
071-1	654887-8	EARTH PLATE	O	1		
072	911102-6	PAN HEAD SCREW M4X6		1		
073	699147-1	POWER SUPPLY CORD UNIT		1		

074	687149-9	STRAIN RELIEF		1		
075	266326-2	TAPPING SCREW 4X18		2		
076	620C70-7	CONTROLLER		1		
077	422609-2	GUARD		1		
078	183N70-9	HOUSING SET		1		
D10		INC. 69				
079	266326-2	TAPPING SCREW 4X18		7		
080	856S17-3	UR201C NAME PLATE		1		
081	144315-6	BARRIER COMPLETE		1		
D10		INC. 29,30				
083	922211-6	H.S.H.BOLT M5X12 WITH W		1	*	
083-1	922216-6	H.S.H.BOLT M5X14 WITH W	O	1		
084	638A31-1	LEAD UNIT	S	1		
085	620L68-8	CONTROLLER B	S	1		
086	652119-7	PAN HEAD SCREW M2X6	S	6		
A01	782238-6	BOX WRENCH 17		1		
A02	783202-0	HEX. WRENCH 4		1		
A03	197243-4	BAND ASSEMBLY SET		1		
A04	831304-7	ACCESSORY BAG		1		
A05	198345-9	CUTTER BLADE 255-2 SET ME		1		
A06	144392-8	TOOL COVER 2T		1		
A07	197993-1	TRIMMER HEAD 95-M10L SET ME		1		
C10	456640-6	SPOOL HOLDER		1		
C20	232289-4	COMPRESSION SPRING 15		1		
C30	144259-0	SPOOL COVER COMPLETE		1		
C40	456642-2	SPOOL		1		
A08	198383-1	PLASTIC BLADE 255 SET ME		1	*	
A08-1	126642-3	PLASTIC BLADE ASSEMBLY255-M 10L	O	1		
E01	807949-3	SOUND 94DB LABEL		1	*	
E01-1	807950-8	SOUND 95DB LABEL	<	1	*	
E01-2	807949-3	SOUND 94DB LABEL	<	1		
F09	197472-9	NYLON CORD 2.0-15M SET		1		
F10	197473-7	NYLON CORD 2.0-30M SET		1		
F11	197474-5	NYLON CORD 2.0-160M SET		1		
F12	197475-3	NYLON CORD 2.0-280M SET		1		
F15	198266-5	TRIMMER HEAD 110-M10L SET M E		1		
F20	198502-9	NYLON CORD 2.4-30M SET		1		
F21	198503-7	NYLON CORD 2.4-120M SET		1		
F22	198504-5	NYLON CORD 2.4-180M SET		1		
F24-1	199450-5	GREASE VESSEL SET	O	1		
F26	199868-0	PLASTIC BLADE 305 SET MG		1		
F27	199870-3	PLASTIC BLADE 305 BLADE SET MG		1		

Please state Parts No. when your order.

Print Date 03/01/2024