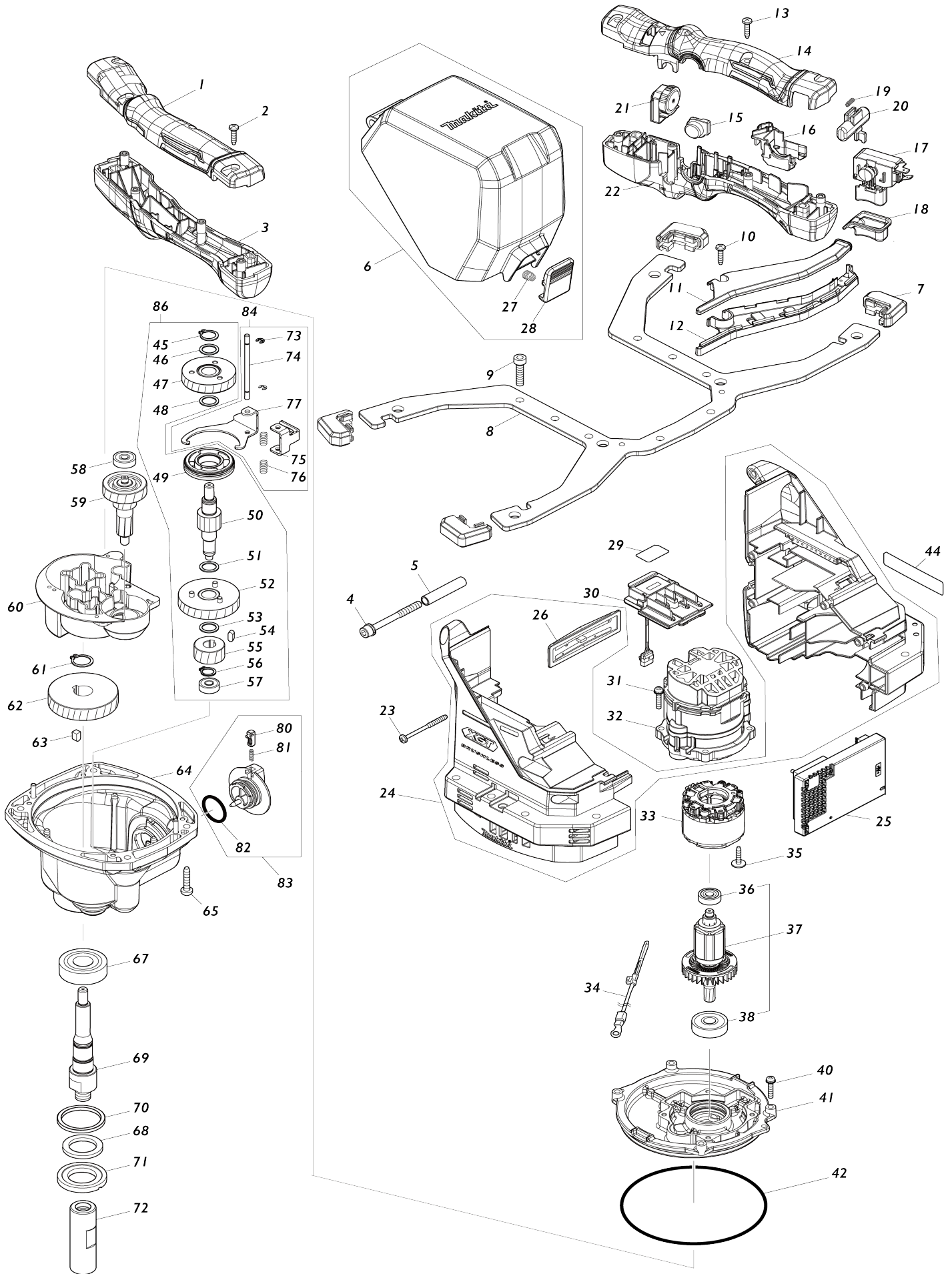


# Model No.UT001G CORDLESS MIXER



Model No.UT001G CORDLESS MIXER

Item No.	Parts No.	Description	Interchangeability	Q'ty	New/Old	Note1	Note2
001	183X11-5	LEFT GRIP SET		1			
D10		INC. 3					
002	266326-2	TAPPING SCREW 4X18		4			
003	183X11-5	LEFT GRIP SET		1			
D10		INC. 1					
004	922383-7	H.S.H.BOLT M6X60 WITH WR		1			
005	257885-7	SLEEVE 6		1			
006	122D95-8	COVER L ASSEMBLY		1			
D10		INC. 27,28					
007	422906-6	HANDLE GUARD		4			
008	347A13-9	HANDLE		1			
009	922342-1	HEX. SOCKET HEAD BOLT M6X25		8			
010	266326-2	TAPPING SCREW 4X18		1			
011	413J45-3	HANDLE COVER		1			
012	413J46-1	LEAD HOLDER		1			
013	266326-2	TAPPING SCREW 4X18		4			
014	183X10-7	RIGHT GRIP SET		1			
D10		INC. 22					
015	458819-5	LOCK ON BUTTON COVER		1			
016	413J58-4	SWITCH SUPPORT		1			
017	650035-7	SWITCH C3JW-4BM-1L-R		1			
018	458816-1	SWITCH COVER		1			
019	231433-0	COMPRESSION SPRING 4		1			
020	412551-5	LOCK OFF BUTTON		1			
021	620E29-6	DIAL CIRCUIT		1			
022	183X10-7	RIGHT GRIP SET		1			
D10		INC. 14					
023	266467-4	TAPPING SCREW 4X50		6			
024	183X13-1	HOUSING SET		1			
C10	263005-3	RUBBER PIN 6		2			
C20	8032A7-2	XGT LOGO LABEL		1			
D10		INC. 26					
025	620K02-2	CONTROLLER		1			
026	413J49-5	LOGO PLATE		1			
027	232676-7	COMPRESSION SPRING 7		1			
028	413J53-4	HOOK		1			
029	8584E0-1	UT001G SERIAL NO. LABEL		1			
030	632P49-4	TERMINAL UNIT		1			
031	911138-5	P.H.SCREW M4X20 WITH WR		4			
032	413J44-5	MOTOR HOUSING		1			
033	629B88-9	STATOR		1			
034	638A44-2	LEAD UNIT		1			
035	265620-9	TAPPING SCREW FLANGE 4X18		2			
036	211022-7	BALL BEARING 607ZZ		1			
037	519789-4	ROTOR ASSEMBLY		1			
D10		INC. 36,38					
038	211087-9	BALL BEARING 6200DDW		1			

040	911138-5	P.H.SCREW M4X20 WITH WR	4		
041	136830-4	MOTOR BRACKET ASSY	1		
C10	213406-5	O RING 30	1		
042	213A27-9	O-RING 115	1		
044	8584D8-8	UT001G NAME PLATE	1		
045	961052-5	RETAINING RING (EXT) S-12	1		
046	267104-3	FLAT WASHER 12	1		
047	141K49-8	SPUR GEAR 42 COMPLETE	1		
048	267104-3	FLAT WASHER 12	1		
049	313437-5	SPEED CHANGE RING	1		
050	327A22-4	SHAFT	1		
051	267104-3	FLAT WASHER 12	1		
052	141K50-3	SPUR GEAR 49 COMPLETE	1		
053	267104-3	FLAT WASHER 12	1		
054	254239-9	KEY 4	1		
055	227984-9	HELICAL GEAR 13	1		
056	961006-2	RETAINING RING S-10	1		
057	211012-0	BALL BEARING 606ZZ	1		
058	211016-2	BALL BEARING 626LLB	1		
059	141N61-6	SPUR GEAR 10-16 COMPLETE	1		
060	413J48-7	GEAR COVER	1		
061	961056-7	RETAINING RING S-16	1		
062	227985-7	HELICAL GEAR 34	1		
063	254211-1	KEY 5	1		
064	136891-4	GEAR CASE ASSEMBLY	1		
C10	213507-9	O RING 40	1		
065	266459-3	TAPPING SCREW 5X25	4		
067	211278-2	BALL BEARING 6203DDW	1		
068	422905-8	FELT RING 24	1		
069	327A23-2	SPINDLE	1		
070	257884-9	RING 33	1		
071	285821-3	BEARING RETAINER 22-41	1		
072	327B35-1	SHAFT HOLDER 1/2-M14	1		
073	961017-7	STOP RING E-3	2		
074	256A24-2	PIN 4	1		
075	347A11-3	CHANGE PLATE A	1		
076	234218-3	COMPRESSION SPRING 5	2		
077	347A12-1	CHANGE PLATE B	1		
080	161568-2	LOCK BUTTON COMPLETE	1		
081	232344-2	COMPRESSION SPRING 3	1		
082	213370-0	O RING 22	1		
083	136822-3	CHANGE LEVER ASSEMBLY	1		
D10		INC. 80-82			
084	136821-5	CHANGE PLATE ASSEMBLY	1		
D10		INC. 73-77			
086	136892-2	GEAR ASSEMBLY	1		
D10		INC. 45-57			
A05	781010-3	WRENCH 19	1		
F01	1911R6-2	COVER L SET	1		
A06	***DC40RA	DC40RA FAST CHARGER	1		
D10		COMPO-PARTS			
A07	191B26-6	BATTERY BL4040 SET	1		

