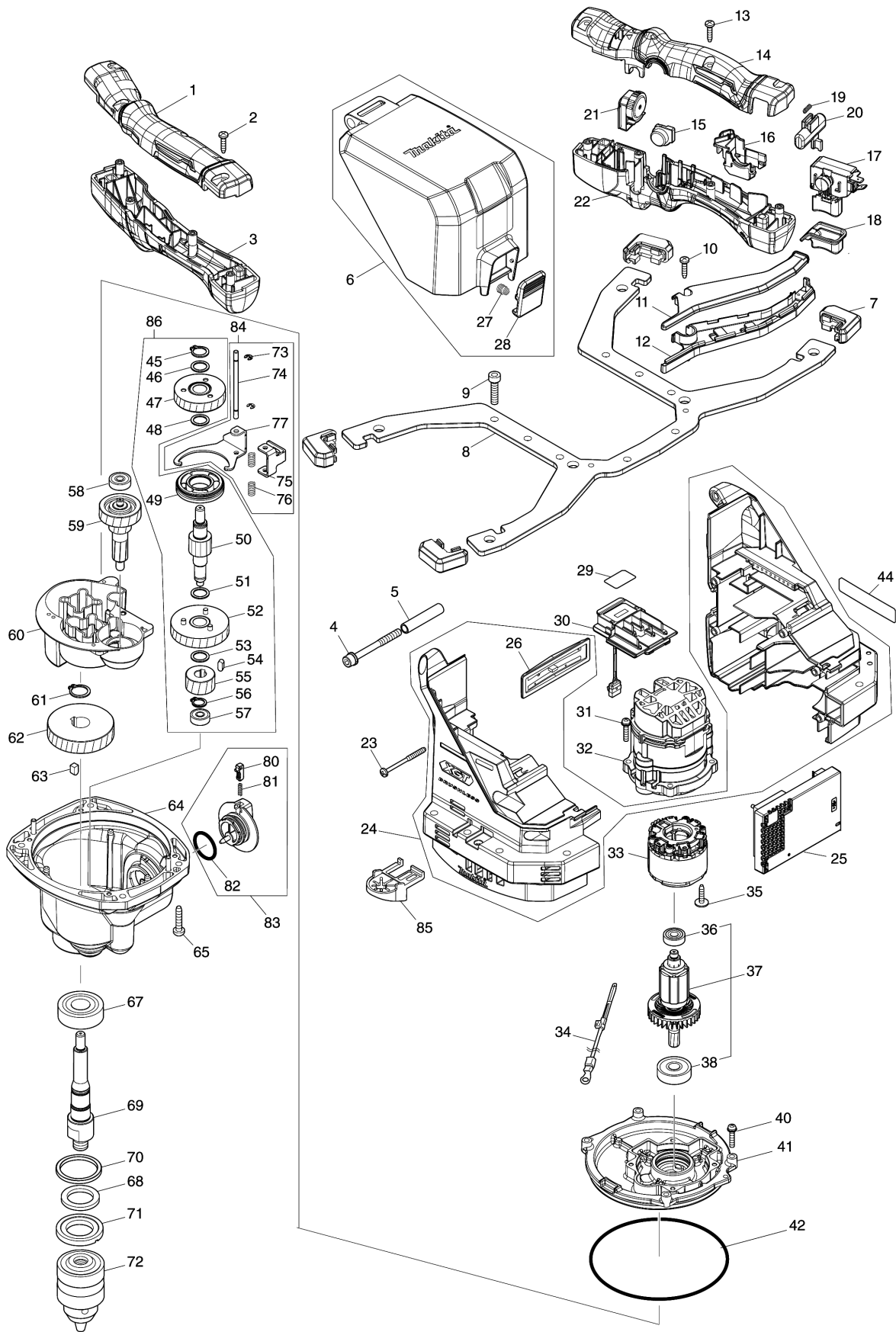


Model No.UT002G CORDLESS MIXER



Model No.UT002G CORDLESS MIXER

Item	Parts No.	Description	I/C	Qty	New/Old	Opt. 1	Opt. 2	Note
001	183X11-5	LEFT GRIP SET		1				
D10		INC. 3						
002	266326-2	TAPPING SCREW 4X18		4				
003	183X11-5	LEFT GRIP SET		1				
D10		INC. 1						
004	922383-7	H.S.H.BOLT M6X60 WITH WR		1				
005	257885-7	SLEEVE 6		1				
006	122D95-8	COVER L ASSEMBLY		1				
D10		INC. 27,28						
007	422906-6	HANDLE GUARD		4				
008	347A13-9	HANDLE		1				
009	922342-1	HEX. SOCKET HEAD BOLT M6X25		8				
010	266326-2	TAPPING SCREW 4X18		1				
011	413J45-3	HANDLE COVER		1				
012	413J46-1	LEAD HOLDER		1				
013	266326-2	TAPPING SCREW 4X18		4				
014	183X10-7	RIGHT GRIP SET		1				
D10		INC. 22						
015	458819-5	LOCK ON BUTTON COVER		1				
016	413J58-4	SWITCH SUPPORT		1				
017	650035-7	SWITCH C3JW-4BM-1L-R		1				
018	458816-1	SWITCH COVER		1				
019	231433-0	COMPRESSION SPRING 4		1				
020	412551-5	LOCK OFF BUTTON		1				
021	620E29-6	DIAL CIRCUIT		1				
022	183X10-7	RIGHT GRIP SET		1				
D10		INC. 14						
023	266467-4	TAPPING SCREW 4X50		6				
024	183X13-1	HOUSING SET		1				
C10	263005-3	RUBBER PIN 6		2				
C20	8032A7-2	XGT LOGO LABEL		1				
D10		INC. 26						
025	620K02-2	CONTROLLER		1				
026	413J49-5	LOGO PLATE		1				
027	232676-7	COMPRESSION SPRING 7		1				
028	413J53-4	HOOK		1				
029	8584F8-2	UT002G SERIAL NO. LABEL		1				
030	632P49-4	TERMINAL UNIT		1				
031	911138-5	P.H.SCREW M4X20 WITH WR		4				
032	413J44-5	MOTOR HOUSING		1				
033	629B88-9	STATOR		1				
034	638A44-2	LEAD UNIT		1				
035	265620-9	TAPPING SCREW FLANGE 4X18		2				
036	211022-7	BALL BEARING 607ZZ		1				

Please order the parts with part number.

Print Date 26/10/2023

Model No.UT002G CORDLESS MIXER

Item	Parts No.	Description	I/C	Qty	New/Old	Opt. 1	Opt. 2	Note
037	519789-4	ROTOR ASSEMBLY		1				
D10		INC. 36,38						
038	211087-9	BALL BEARING 6200DDW		1				
040	911138-5	P.H.SCREW M4X20 WITH WR		4				
041	136830-4	MOTOR BRACKET ASSY		1				
C10	213406-5	O RING 30		1				
042	213A27-9	O-RING 115		1				
044	8584F1-6	UT002G NAME PLATE		1				
045	961052-5	RETAINING RING (EXT) S-12		1				
046	267104-3	FLAT WASHER 12		1				
047	141K49-8	SPUR GEAR 42 COMPLETE		1				
048	267104-3	FLAT WASHER 12		1				
049	313437-5	SPEED CHANGE RING		1				
050	327A22-4	SHAFT		1				
051	267104-3	FLAT WASHER 12		1				
052	141K50-3	SPUR GEAR 49 COMPLETE		1				
053	267104-3	FLAT WASHER 12		1				
054	254239-9	KEY 4		1				
055	227984-9	HELICAL GEAR 13		1				
056	961006-2	RETAINING RING S-10		1				
057	211012-0	BALL BEARING 606ZZ		1				
058	211016-2	BALL BEARING 626LLB		1				
059	141N61-6	SPUR GEAR 10-16 COMPLETE		1				
060	413J48-7	GEAR COVER		1				
061	961056-7	RETAINING RING S-16		1				
062	227985-7	HELICAL GEAR 34		1				
063	254211-1	KEY 5		1				
064	136891-4	GEAR CASE ASSEMBLY		1				
C10	213507-9	O RING 40		1				
065	266459-3	TAPPING SCREW 5X25		4				
067	211278-2	BALL BEARING 6203DDW		1				
068	422905-8	FELT RING 24		1				
069	327A23-2	SPINDLE		1				
070	257884-9	RING 33		1				
071	285821-3	BEARING RETAINER 22-41		1				
072	763183-4	DRILL CHUCK S13		1				
073	961017-7	STOP RING E-3		2				
074	256A24-2	PIN 4		1				
075	347A11-3	CHANGE PLATE A		1				
076	234218-3	COMPRESSION SPRING 5		2				
077	347A12-1	CHANGE PLATE B		1				
080	161568-2	LOCK BUTTON COMPLETE		1				
081	232344-2	COMPRESSION SPRING 3		1				
082	213370-0	O RING 22		1				
083	136822-3	CHANGE LEVER ASSEMBLY		1				

Please order the parts with part number.

Print Date 26/10/2023

Model No.UT002G CORDLESS MIXER

Item	Parts No.	Description	I/C	Qty	New/Old	Opt. 1	Opt. 2	Note
D10		INC. 80-82						
084	136821-5	CHANGE PLATE ASSEMBLY		1				
D10		INC. 73-77						
085	422975-7	KEY HOLDER		1				
086	136892-2	GEAR ASSEMBLY		1				
D10		INC. 45-57						
A01	763259-7	CHUCK KEY S13		1				
A06B	***DC40RA	DC40RA FAST CHARGER		1				
D10		COMPO-PARTS						
A07B	191B26-6	BATTERY BL4040 SET		1				
F01	1911R6-2	COVER L SET		1				

Please order the parts with part number.

Print Date 26/10/2023