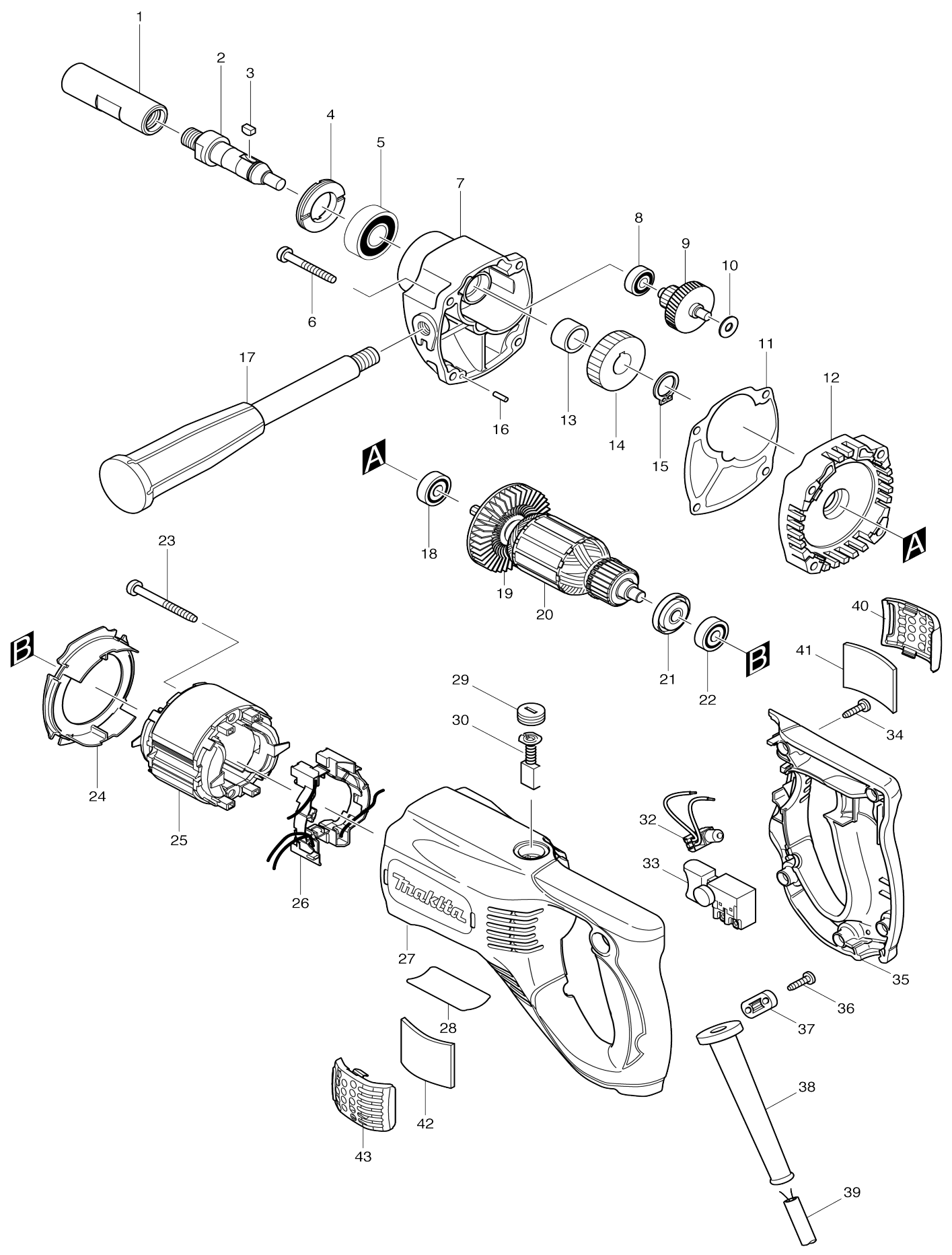


# Model No.UT1305 MIXER



# Model No.UT1305 MIXER

Item No.	Parts No.	Description	Interchangability	Q'ty	New/Old	Note1	Note2
F01	199140-0	GUIDE RAIL 1000 SET		1			
F02	199141-8	GUIDE RAIL 1500 SET		1			
F03	194368-5	GUIDE RAIL 1400 SET		1			
F04	194925-9	GUIDE RAIL 1900 SET		1			
F05	194367-7	GUIDE RAIL 3000 SET		1			
F06	194416-0	SHEET 10000 SET		1			
F07	194417-8	RUBBER SHEET 10000 SET		1			
F08	194418-6	POSITION SHEET 1400 SET		1			
F09	194910-2	POSITION SHEET 1900 SET		1			
001	323962-8	SHAFT HOLDER 1/2-M12		1	*		
001-1	323962-8	SHAFT HOLDER 1/2-M12	<	1	*		
001-2	327B34-3	SHAFT HOLDER 1/2-M12	O	1			
002	324259-8	SPINDLE		1			
003	254011-9	WOODRUFF KEY 4		1			
004	285807-7	BEARING RETAINER 22-36		1			
005	211206-7	BALL BEARING 6202LLB		1			
006	266211-9	TAPPING SCREW 5X40		4			
007	317551-9	GEAR HOUSING		1			
008	211021-9	BALL BEARING 607LLB		1			
009	226153-9	GEAR COMPLETE 12-41		1			
010	253804-1	FLAT WASHER 6		1			
011	419528-1	GASKET		1	*		
011-1	419528-1	GASKET	O	1			
012	153386-2	GEAR HOUSING COVER COMPLETE		1			
013	257719-4	SLEEVE 15		1			
014	226559-1	HELICAL GEAR 34		1			
015	961055-9	RETAINING RING S-15		1			
016	256180-2	PIN 3		1			
017	152892-4	GRIP COMPLETE		1			
018	211031-6	BALL BEARING 608LLB		1			
019	241850-6	FAN 60		1			
020	513654-9	ARMATURE ASS'Y 240V		1			
D10		INC. 18,19,21,22					
021	681644-1	INSULATION WASHER		1			
022	211031-6	BALL BEARING 608LLB		1			
023	266046-8	TAPPING SCREW 5X50		2			
024	419417-0	BAFFLE PLATE		1			
025	634554-1	FIELD 230-240V		1			
026	638443-2	SUPPORT COMPLETE		1			
027	154874-2	MOTOR HOUSING COMPLETE		1	*		
C10	643708-9	BRUSH HOLDER 5-11		2	*		
027-1	141C69-4	MOTOR HOUSING COMPLETE	S	1			
C10	643708-9	BRUSH HOLDER 5-11		2			
028	862262-6	UT1305 NAME PLATE		1			
029	643750-0	BRUSH HOLDER CAP 7-11		2	*		
029-1	643515-0	HOLDER CAP 7-11	O	2			
030	191963-2	CARBON BRUSH CB-303		1			

032	631706-5	PILOT LAMP		1		
033	650203-2	SWITCH SGEL115CD-1		1	*	
033-1	651280-7	SWITCH SGE115CDY-5	S	1		
034	265995-6	TAPPING SCREW 4X18		5		
035	419416-2	HANDLE COVER		1		
036	265995-6	TAPPING SCREW 4X18		2		
037	687052-4	STRAIN RELIEF		1		
038	682559-5	CORD GUARD 8		1		
039	695034-2	POWER SUPPLY CORD 1.0-2-4.0		1		
040	345691-3	COVER		1		
041	423322-5	FILTER		1		
042	423322-5	FILTER		1		
043	345691-3	COVER		1		
A01	165238-5	MIXING BLADE 165		1	*	
A01-1	A-43692	MIXING BLADE 165	O	1		
A02	168349-5	SHAFT COMPLETE		1	*	
A02-1	A-43751	SHAFT COMPLETE	O	1	*	
A02-2	168349-5	SHAFT COMPLETE	O	1		
A03	265220-5	HEX. BOLT M8X18		1		
A04	781006-4	WRENCH 13		1		
A05	781010-3	WRENCH 19		2		
E01	645253-0	NOISE SUPPRESSOR		1		
E02	654531-7	TERMINAL BLOCK 2P		1	*	
E02-1	654741-6	TERMINAL BLOCK	O	1		
E03	646077-7	CHOKE COIL		1		

Please state Parts No. when your order.

Print Date 03/01/2024