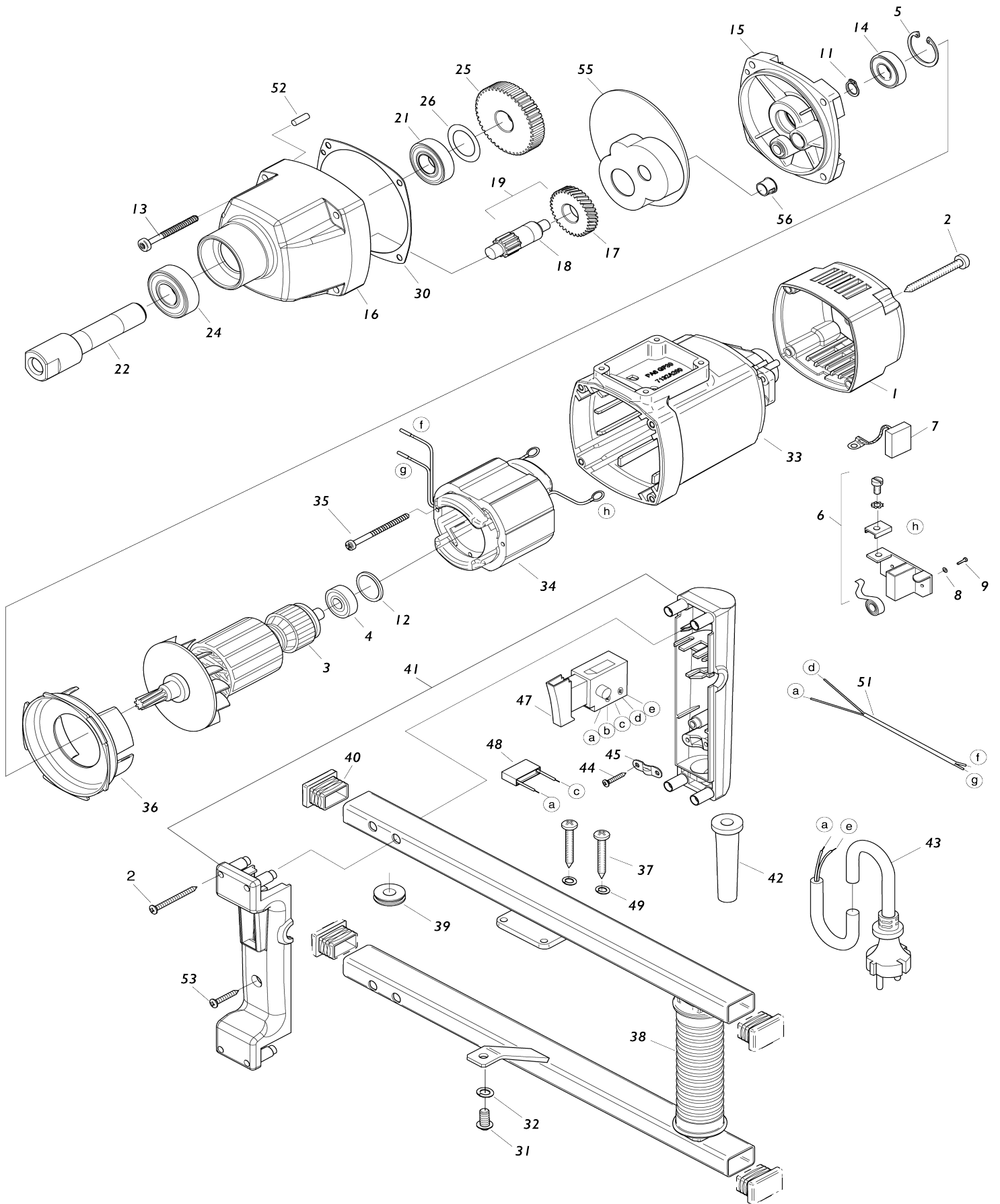


# Model No.UT1400 POWER MIXER



Model No.UT1400 POWER MIXER

Item No.	Parts No.	Description	Interchangability	Q'ty	New/Old	Note1	Note2
001	EE80900093	CAP		1			
002	EE80201267	SELF TAPPING SCREW		8	*		
002-1	EE80201267	SELF TAPPING SCREW	O	4			
003	EE7731C100	ROTOR COMPLETE		1			
004	EE80410011	GROOVED BALL BEARING		1			
005	EE80201333	LOCKING RING		1			
006	EE80201196	BRUSH HOLDER		2			
007	EE80700013	PAIR OF BRUSHES		2	*		
007-1	EE7132A22S	PAIR OF BRUSHES	<	1			
008	EE80201385	LOCK WASHER		4			
009	EE80201180	SELF TAPPING SCREW		4			
011	EE80201305	LOCKING RING		1			
012	EE83000036	O RING		1			
013	EE80201449	PT-SCREW		4			
014	EE80410031	GROOVED BALL BEARING		1			
015	EE77318610	END SHIELD OF GEARING		1			
016	EE77M21400	GEARBOX HOUSING / CASING		1			
017	EE74010470	INTERMEDIATE WHEEL		1			
018	EE7731C490	PINION SHAFT		1			
019	EE7731C49U	PINION SHAFT COMPLETE0		1			
021	EE80410043	GROOVED BALL BEARING		1			
022	EE7731C420	WORK SPINDLE		1			
024	EE80410130	GROOVED BALL BEARING		1			
025	EE7731C430	SPINDLE WHEEL		1			
026	EE80200507	FITTING WASHER		1			
030	EE82000507	GEARBOX SEAL		1			
031	EE80201209	LENS HEAD SCREW		1			
032	EE80201303	LOCK WASHER		1			
033	EE80900403	MOTOR HOUSING		1			
034	EE7731C150	STATOR COMPLETE		1			
035	EE80201266	SELF TAPPING SCREW		2			
036	EE80900286	AIR GUIDING RING		1			
037	EE80201277	PLASTIC SCREW		4			
038	EE77M21590	BOW HANDLE		1	*		
038-1	EE7732N591	SIDE PLATE 1	S	1			
039	EE83000051	CABLE GROMMET		2	*		
039-1	EE83000051	CABLE GROMMET	O	1			
040	EE80900000	COVER CAP		4	*		
040-1	EE80900117	COVER CAP	S	4			
041	EE80900098	PAIR OF HANDLE HALVES		1	*		
041-1	EE7711P26U	PAIR OF HANDLE HALVES	S	1			
042	EE83000004	CABLE GROMMET		1			
043	EE80600060	CONNECTING CABLE		1			
044	EE80201270	SELF TAPPING SCREW		2			
045	EE85000020	WIRE LOCKING FLANGE		1			
047	EE80600510	SWITCH		1	*		
047-1	EE80600135	SWITCH	O	1			

047-2	EE80600527	SWITCH	<	1		
048	EE80500010	ANTI PARASITE CONDENSER		1		
049	EE80201302	LOCK WASHER		4		
050	EE7732N592	SIDE PLATE 2		1		
051	EE80600072	INTERCONNECTING WIRE		1		
052	EE80200582	NOTCHED PIN PLUG		1		
053	EE80201280	SELF TAPPING SCREW		1	*	
053-1	EE80201411	SELF TAPPING SCREW	S	8		
054	EE77420365	CAP GUARD		1		
055	EE80900119	GREASE COMPARTMENT BARRIE R		1		
056	EE80900201	PLUG		1		

Please state Parts No. when your order.

Print Date 26/10/2023