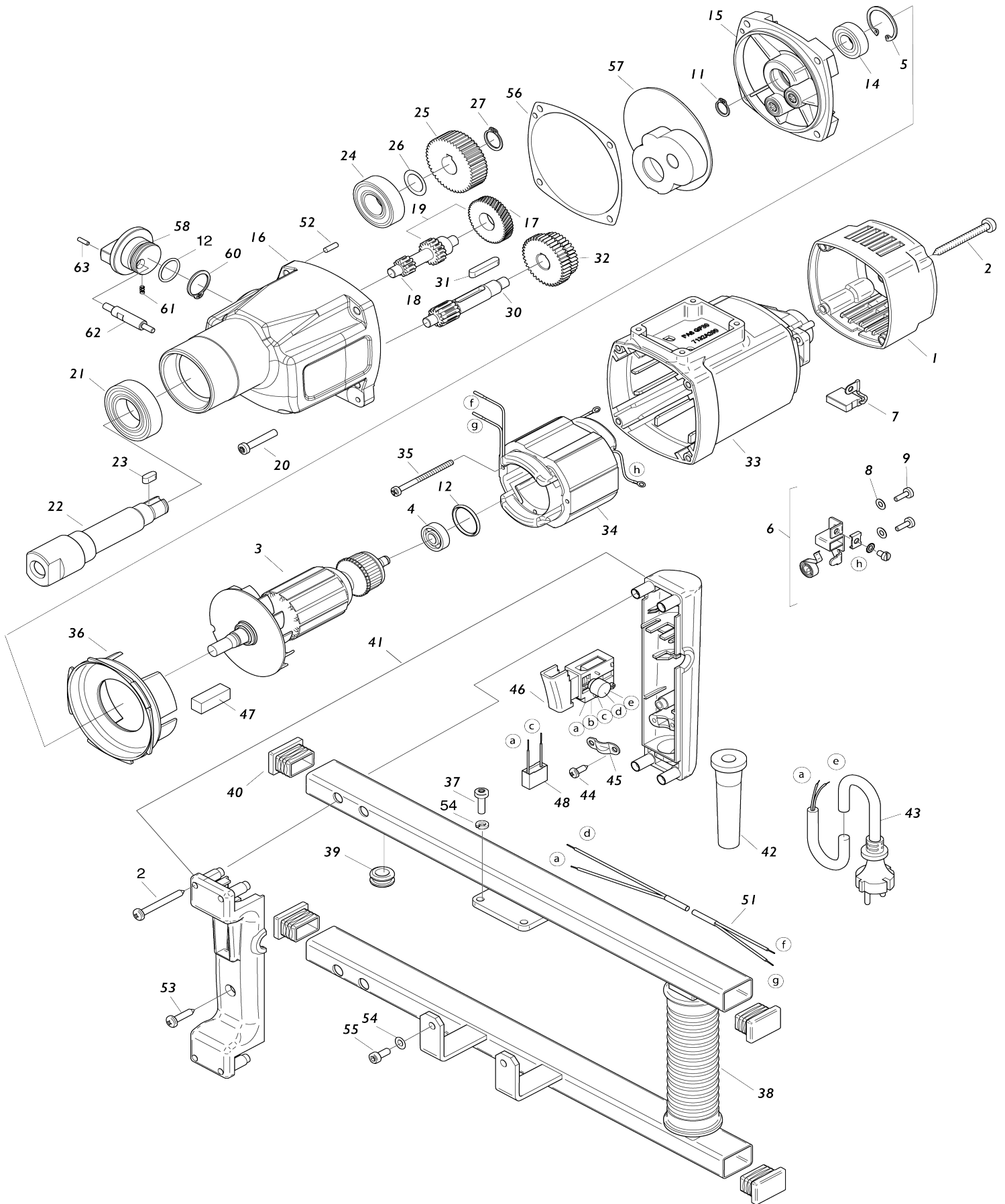


# Model No.UT1401 POWER MIXER



Model No.UT1401 POWER MIXER

Item No.	Parts No.	Description	Interchangability	Q'ty	New/Old	Note1	Note2
001	EE80900093	CAP		1			
002	EE80201267	SELF TAPPING SCREW		8	*		
002-1	EE80201267	SELF TAPPING SCREW	O	4			
003	EE7132A100	ROTOR COMPLETE		1			
004	EE80410011	GROOVED BALL BEARING		1			
005	EE80201333	LOCKING RING		1			
006	EE80201196	BRUSH HOLDER		2			
007	EE80700013	PAIR OF BRUSHES		2	*		
007-1	EE7132A22S	PAIR OF BRUSHES	<	1			
008	EE80201385	LOCK WASHER		4			
009	EE80201180	SELF TAPPING SCREW		4			
011	EE80201320	LOCKING RING		1			
012	EE83000036	O RING		2			
014	EE80410031	GROOVED BALL BEARING		1			
015	EE77M3161U	END SHIELD OF GEARING		1			
016	EE77M3140U	GEARBOX HOUSING / CASING		1			
017	EE7132A470	INTERMEDIATE WHEEL		1			
018	EE7132H500	SHAFT		1			
019	EE7731C49U	PINION SHAFT COMPLETE0		1			
020	EE80201442	PT-SCREW		4			
021	EE80410061	GROOVED BALL BEARING		1			
022	EE77M31420	WORK SPINDLE		1			
023	EE80200601	FITTING KEY		1			
024	EE80410130	GROOVED BALL BEARING		1			
025	EE71323430	SPINDLE WHEEL		1			
026	EE80200504	FITTING WASHER		1			
027	EE80201322	LOCKING RING		1			
030	EE71223460	SHAFT		1			
031	EE80200602	FITTING KEY		1			
032	EE7132H440	GEAR BLOCK/ CLUSTER GEAR		1			
033	EE80900403	MOTOR HOUSING		1			
034	EE7132A150	STATOR COMPLETE		1			
035	EE80201266	SELF TAPPING SCREW		2			
036	EE80900286	AIR GUIDING RING		1			
037	EE80201277	PLASTIC SCREW		4			
038	EE77M31590	BOW HANDLE		1	*		
038-1	EE77M32591	SIDE PLATE 1	S	1			
039	EE83000051	CABLE GROMMET		2	*		
039-1	EE83000051	CABLE GROMMET	O	1			
040	EE80900000	COVER CAP		4	*		
040-1	EE80900117	COVER CAP	X	4			
041	EE80900098	PAIR OF HANDLE HALVES		1	*		
041-1	EE7711P26U	PAIR OF HANDLE HALVES	S	1			
042	EE83000004	CABLE GROMMET		1			
043	EE80600060	CONNECTING CABLE		1			
044	EE80201270	SELF TAPPING SCREW		2			
045	EE85000020	WIRE LOCKING FLANGE		1			

046	EE80600510	SWITCH		1	*		
046-1	EE80600135	SWITCH	O	1			
046-2	EE80600527	SWITCH	<	1			
047	EE80600306	CONTACT WASHER / SPACER		1	*		
047-1	EE77420365	CAP GUARD	S	1			
048	EE80500010	ANTI PARASITE CONDENSER		1			
049	EE7732N592	SIDE PLATE 2	S	1			
051	EE80600072	INTERCONNECTING WIRE		1			
052	EE80200582	NOTCHED PIN PLUG		1			
053	EE80201280	SELF TAPPING SCREW		1	*		
053-1	EE80201411	SELF TAPPING SCREW	O	8			
054	EE80201302	LOCK WASHER		6			
055	EE80201103	SCREW		2			
056	EE82000507	GEARBOX SEAL		1			
057	EE80900119	GREASE COMPARTMENT BARRIE R		1			
058	EE7132H540	SWITCH BUTTON		1			
060	EE80201340	LOCKING RING		1			
061	EE80430029	SNAP BOLT		1			
062	EE7132H545	SHIFT PIN		1			
063	EE80200577	CYLINDER PIN		1			

Please state Parts No. when your order.

Print Date 26/10/2023