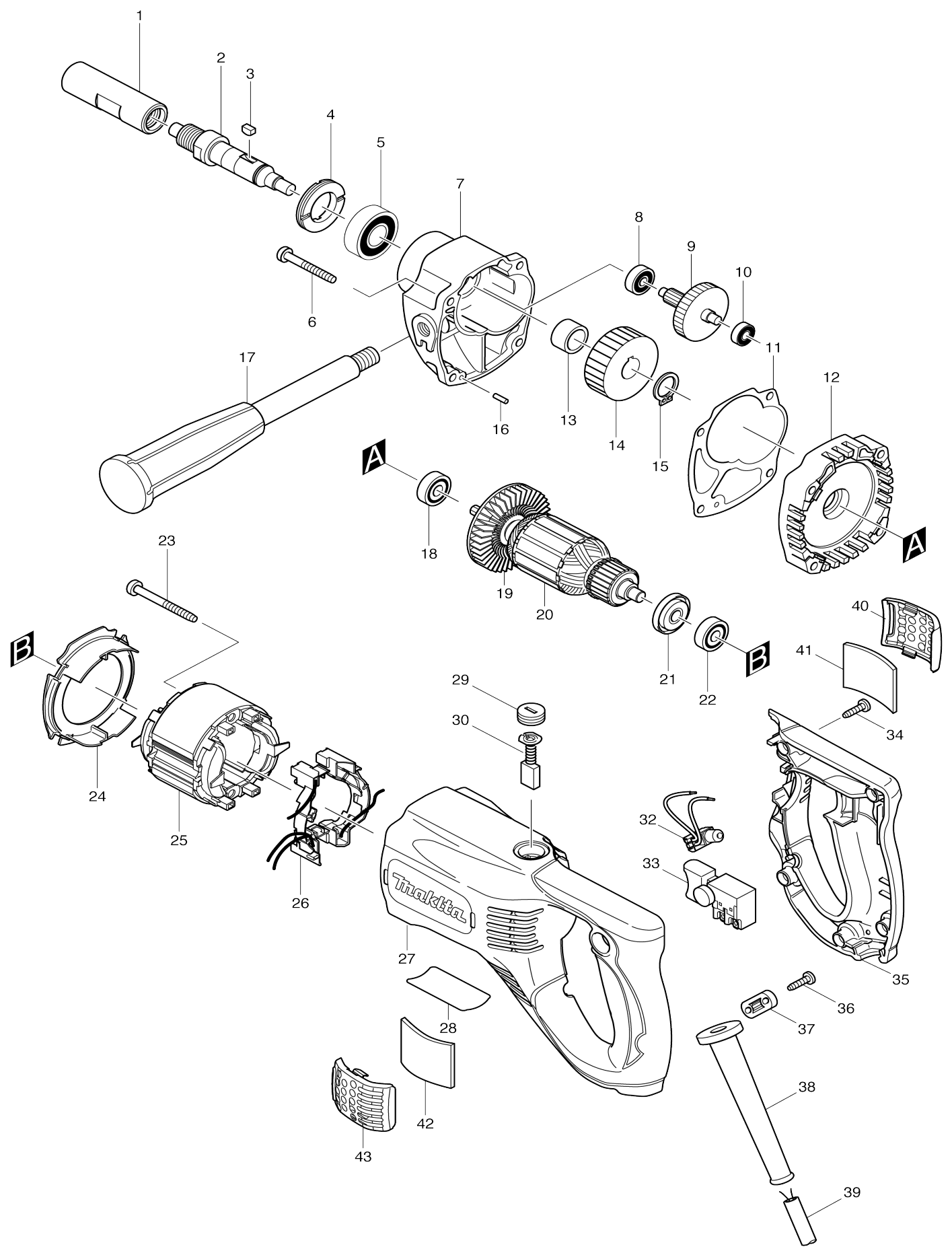


Model No.UT2204 MIXER



Model No.UT2204 MIXER

Item No.	Parts No.	Description	Interchangability	Q'ty	New/Old	Note1	Note2
F01	199140-0	GUIDE RAIL 1000 SET		1			
F02	199141-8	GUIDE RAIL 1500 SET		1			
F03	194368-5	GUIDE RAIL 1400 SET		1			
F04	194925-9	GUIDE RAIL 1900 SET		1			
F05	194367-7	GUIDE RAIL 3000 SET		1			
F06	194416-0	SHEET 10000 SET		1			
F07	194417-8	RUBBER SHEET 10000 SET		1			
F08	194418-6	POSITION SHEET 1400 SET		1			
F09	194910-2	POSITION SHEET 1900 SET		1			
001	324265-3	SHAFT HOLDER 5/8-M12		1	*		
001-1	324265-3	SHAFT HOLDER 5/8-M12	<	1			
002	324273-4	SPINDLE		1			
003	254011-9	WOODRUFF KEY 4		1			
004	285807-7	BEARING RETAINER 22-36		1			
005	211206-7	BALL BEARING 6202LLB		1			
006	266211-9	TAPPING SCREW 5X40		4			
007	317598-3	GEAR HOUSING		1			
008	211016-2	BALL BEARING 626LLB		1			
009	226826-4	GEAR COMPLETE 7-46		1			
010	210006-2	BALL BEARING 696ZZ		1			
011	419529-9	GASKET		1	*		
011-1	419529-9	GASKET	O	1			
012	153414-3	GEAR HOUSING COVER COMPLETE		1			
013	257719-4	SLEEVE 15		1			
014	226561-4	HELICAL GEAR 43		1			
015	961055-9	RETAINING RING S-15		1			
016	256180-2	PIN 3		1			
017	152892-4	GRIP COMPLETE		1			
018	211031-6	BALL BEARING 608LLB		1			
019	241850-6	FAN 60		1			
020	513654-9	ARMATURE ASS'Y 240V		1			
D10		INC. 18,19,21,22					
021	681644-1	INSULATION WASHER		1			
022	211031-6	BALL BEARING 608LLB		1			
023	266046-8	TAPPING SCREW 5X50		2			
024	419417-0	BAFFLE PLATE		1			
025	634554-1	FIELD 230-240V		1			
026	638443-2	SUPPORT COMPLETE		1			
027	154874-2	MOTOR HOUSING COMPLETE		1	*		
C10	643708-9	BRUSH HOLDER 5-11		2	*		
027-1	141C69-4	MOTOR HOUSING COMPLETE	S	1			
C10	643708-9	BRUSH HOLDER 5-11		2			
028	862264-2	UT2204 NAME PLATE		1			
029	643750-0	BRUSH HOLDER CAP 7-11		2	*		
029-1	643515-0	HOLDER CAP 7-11	O	2			
030	191963-2	CARBON BRUSH CB-303		1			
032	631706-5	PILOT LAMP		1			

033	650203-2	SWITCH SGEL115CD-1		1	*		
033-1	651280-7	SWITCH SGE115CDY-5	S	1			
034	265995-6	TAPPING SCREW 4X18		5			
035	419416-2	HANDLE COVER		1			
036	265995-6	TAPPING SCREW 4X18		2			
037	687052-4	STRAIN RELIEF		1			
038	682559-5	CORD GUARD 8		1			
039	695034-2	POWER SUPPLY CORD 1.0-2-4.0		1			
040	345691-3	COVER		1			
041	423322-5	FILTER		1			
042	423322-5	FILTER		1			
043	345691-3	COVER		1			
A01	315113-7	MIXING BLADE		1	*		
A01-1	A-43717	MIXING BLADE	<	1			
D10		INC. A03					
A02	168369-9	SHAFT COMPLETE		1	*		
A02-1	A-43773	SHAFT COMPLETE	O	1			
A03	265440-1	HEX. BOLT M8X16		1			
A04	781006-4	WRENCH 13		1			
A05	781010-3	WRENCH 19		2			
E01	645253-0	NOISE SUPPRESSOR		1			
E02	654531-7	TERMINAL BLOCK 2P		1	*		
E02-1	654741-6	TERMINAL BLOCK	O	1			
E03	646077-7	CHOKE COIL		1			

Please state Parts No. when your order.

Print Date 03/01/2024