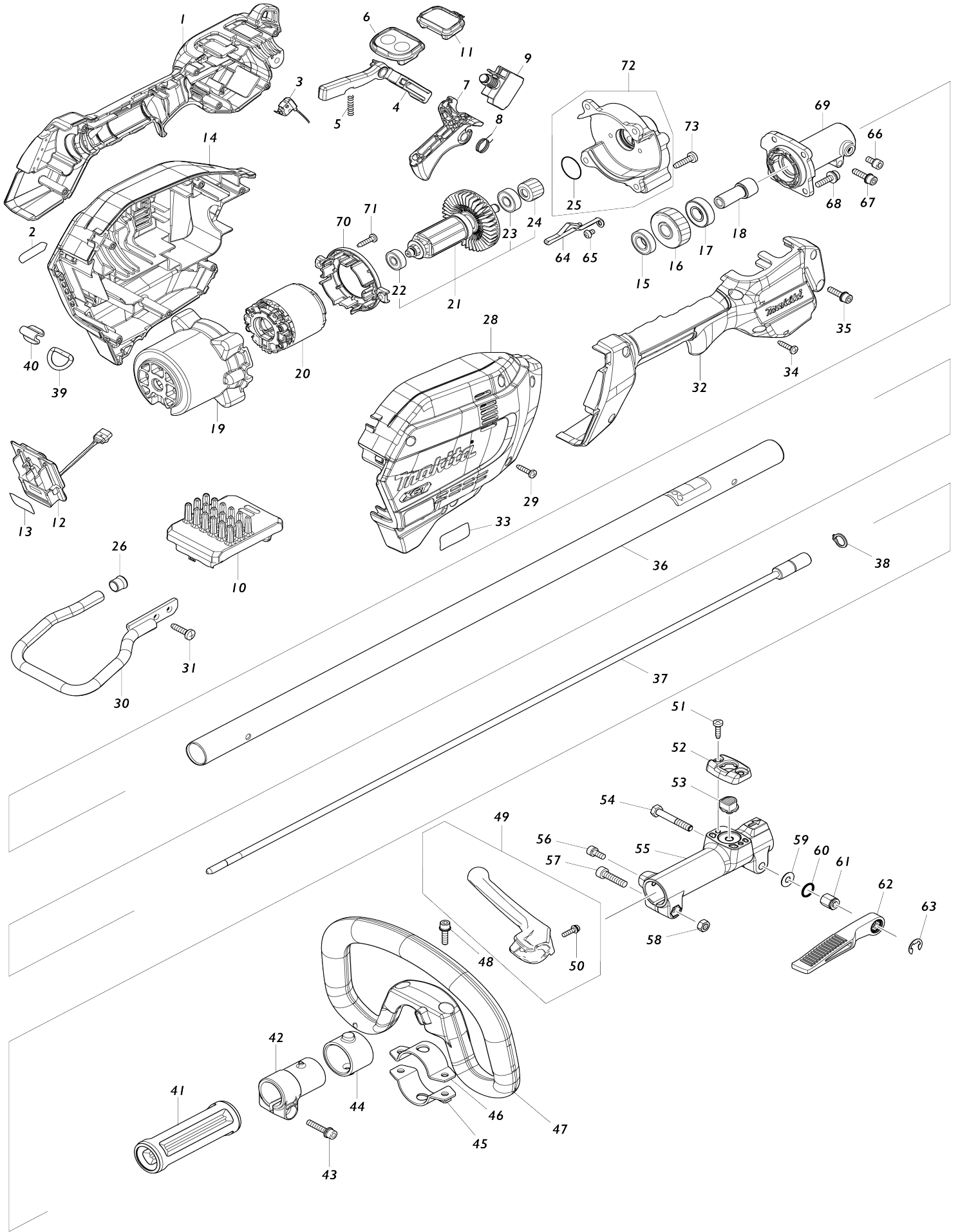


Model No.UX01G CRDLSS MULTI FNCTN POWER HEAD



Model No.UX01G CRDLSS MULTI FNCTN POWER HEAD

Item No.	Parts No.	Description	Interc hang eabilit y	Q'ty	New/ Old	Note1	Note2
D10		COMPO-PARTS					
A05	197280-8	BATTERY BL1850B SET		2			
D10		COMPO-PARTS					
A05	197280-8	BATTERY BL1850B SET		2			
001	183N26-2	GRIP SET		1			
D10		INC. 32					
002	8025F3-0	XGT LOGO LABEL		1			
003	632G61-0	SWITCH UNIT		1			
004	459759-0	LOCK OFF LEVER		1			
005	233101-1	COMPRESSION SPRING 4		1			
006	140W64-1	SWITCH CIRCUIT COMPLETE G		1			
C10	8025F0-6	SWITCH LABEL		1			
007	459758-2	SWITCH LEVER		1			
008	233622-3	TORSION SPRING 12		1			
009	651436-2	SWITCH C3JW-1A-P-2		1			
010	620D96-5	CONTROLLER		1	*		
010-1	620K71-3	CONTROLLER	<	1			
011	140W63-3	INDICATION CIRCUIT COMPLETE		1			
012	632P49-4	TERMINAL UNIT		1			
013	8026A4-9	UX01G SERIAL NO. LABEL		1			
014	183R88-4	HOUSING SET		1			
C10	263005-3	RUBBER PIN 6		2			
D10		INC. 28					
015	211150-8	BALL BEARING 6901ZZ		1			
016	227848-7	HELICAL GEAR 33		1			
017	211131-2	BALL BEARING 6001DDW		1			
018	325811-5	SPINDLE HUB		1			
019	412961-6	MOTOR HOUSING		1			
020	629A25-7	STATOR		1			
021	519647-4	ROTOR ASS'Y		1			
D10		INC. 22-24					
022	210062-2	BALL BEARING 607ZZ		1			
023	210005-4	BALL BEARING 608DDW		1			
024	227834-8	HELICAL GEAR 16		1			
025	213961-7	O RING 22		1			
026	422230-7	CAP		1			
028	183R88-4	HOUSING SET		1			
C10	263005-3	RUBBER PIN 6		2			
D10		INC. 14					
029	266326-2	TAPPING SCREW 4X18		6			
030	347752-5	BATTERY GUARD		1			
031	266420-0	TAPPING SCREW 5X20		2			
032	183N26-2	GRIP SET		1			
D10		INC. 1					
033	8025Y8-3	UX01G NAME PLATE		1			
034	266326-2	TAPPING SCREW 4X18		6			
035	922233-6	H.S.H.BOLT M5X20 WITH WR		1			

036	140W68-3	SHAFT PIPE B COMPLETE		1		
C10	8025E8-3	CAUTION LABEL		1		
037	141238-9	SHAFT B COMPLETE		1		
038	961052-5	RETAINING RING (EXT) S-12		1		
039	327742-4	D RING 20		1		
040	347783-4	RING SUPPORT		1		
041	451601-1	SPACER 24		1		
042	457269-1	PIPE HOLDER 24		1		
043	922244-1	H.S.H.BOLT M5X25 WITH WG		1		
044	424942-8	DAMPER		1		
045	347114-7	LOWER CLAMP 35		1		
046	347113-9	UPPER CLAMP 35		1		
047	457772-2	LOOP HANDLE		1		
C10	263005-3	RUBBER PIN 6		1		
048	922234-4	H.S.H.BOLT M5X20 WITH WG		2		
049	144315-6	BARRIER COMPLETE		1		
D10		INC. 50				
050	911128-8	P.H.SCREW M4X16 WITH WR		1		
051	266034-5	TAPPING SCREW CT 4X16		2		
052	452840-6	RELEASE BUTTON COVER		1		
053	452839-1	RELEASE BUTTON		1		
054	265596-0	HEX.BOLT M6X40		1		
055	318750-6	JOINT 24		1	*	
055-1	312D49-5	JOINT24	<	1		
056	922211-6	H.S.H.BOLT M5X12 WITH W		1		
057	922342-1	HEX. SOCKET HEAD BOLT M6X25		1		
058	931302-2	HEX. NUT M6		1		
059	253332-6	THIN WASHER 6		1		
060	213105-9	O RING 11		1		
061	252159-1	HEX. NUT M6		1		
062	272268-0	LEVER 94		1		
063	961014-3	STOP RING E-8		1		
064	347751-7	PLATE		1	*	
064-1	654886-0	EARTH PLATE	O	1		
065	911102-6	PAN HEAD SCREW M4X6		1		
066	922211-6	H.S.H.BOLT M5X12 WITH W		1		
067	922233-6	H.S.H.BOLT M5X20 WITH WR		1		
068	911233-1	PAN HEAD SCREW M5X20		4		
069	140Y38-4	PIPE BRACKET COMPLETE		1		
C10	263002-9	RUBBER PIN 4		1		
070	459764-7	BAFFLE PLATE		1		
071	266326-2	TAPPING SCREW 4X18		2		
072	136368-9	GEAR BOX ASSY		1		
D10		INC. 25				
073	266420-0	TAPPING SCREW 5X20		4		
A01	127759-5	BAND ASSEMBLY L		1		
A03	783202-0	HEX. WRENCH 4		1		
A04	831304-7	ACCESSORY BAG		1		
E01	688163-8	LINE FILTER		1		

Please state Parts No. when your order.

Print Date 03/01/2024