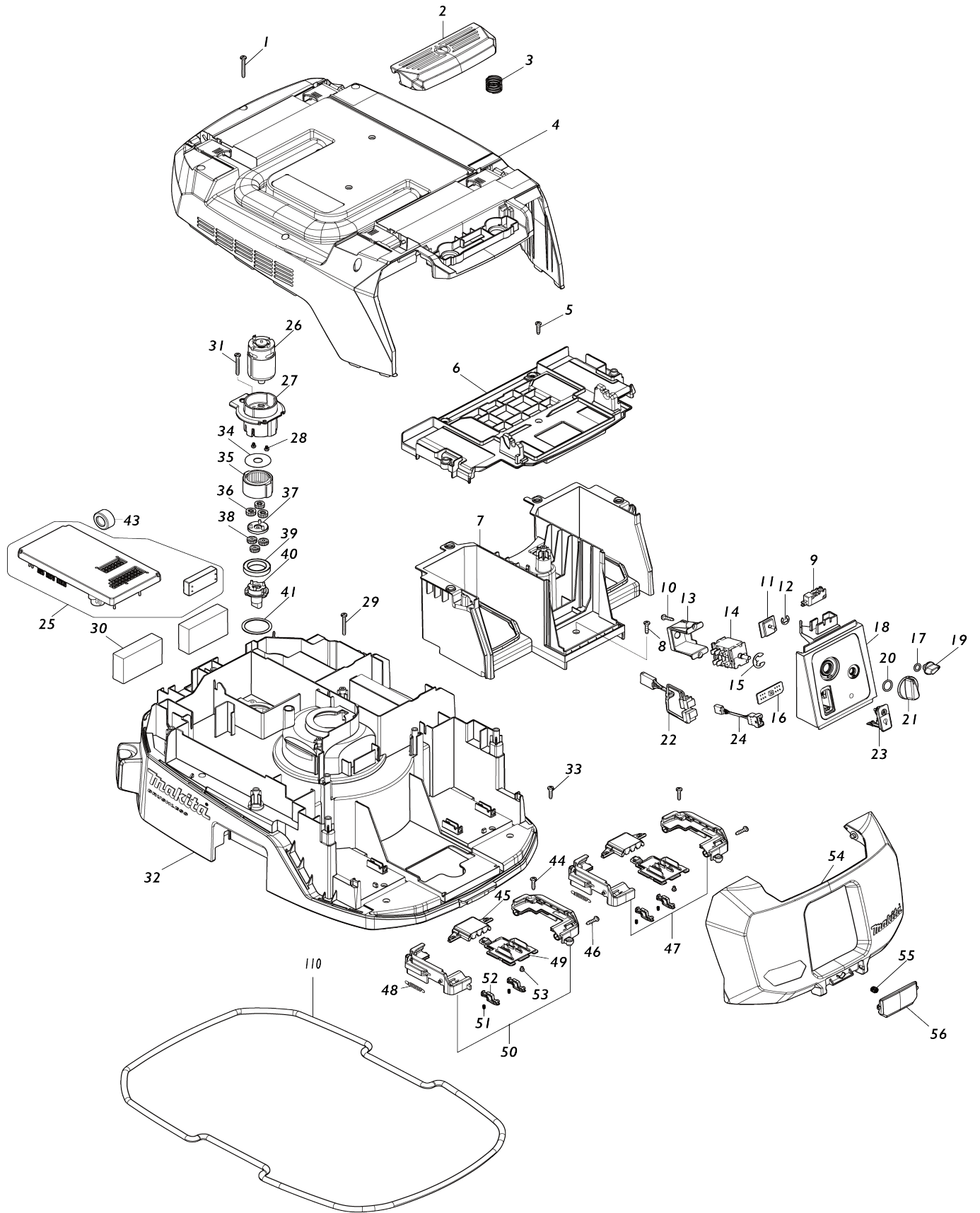
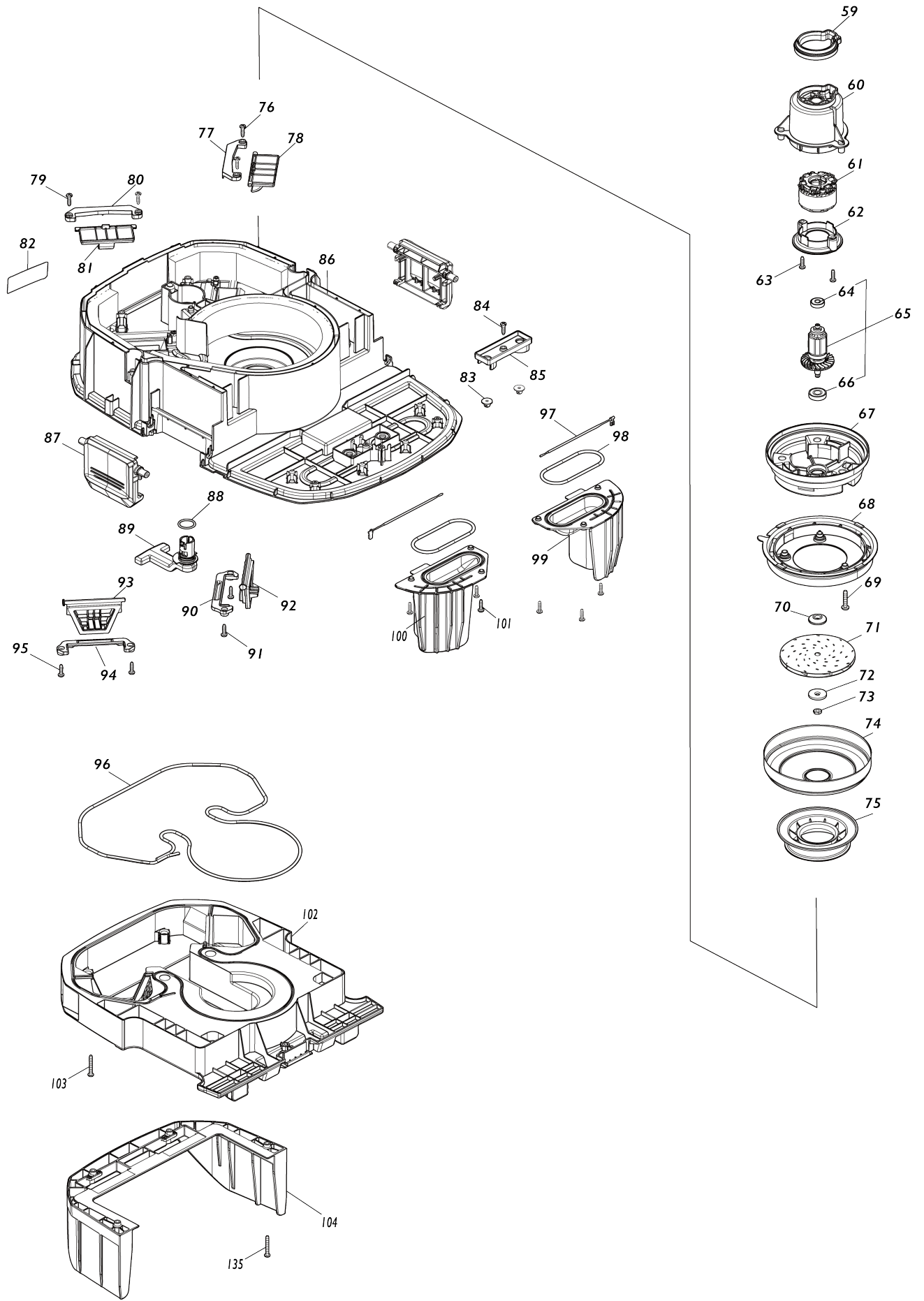


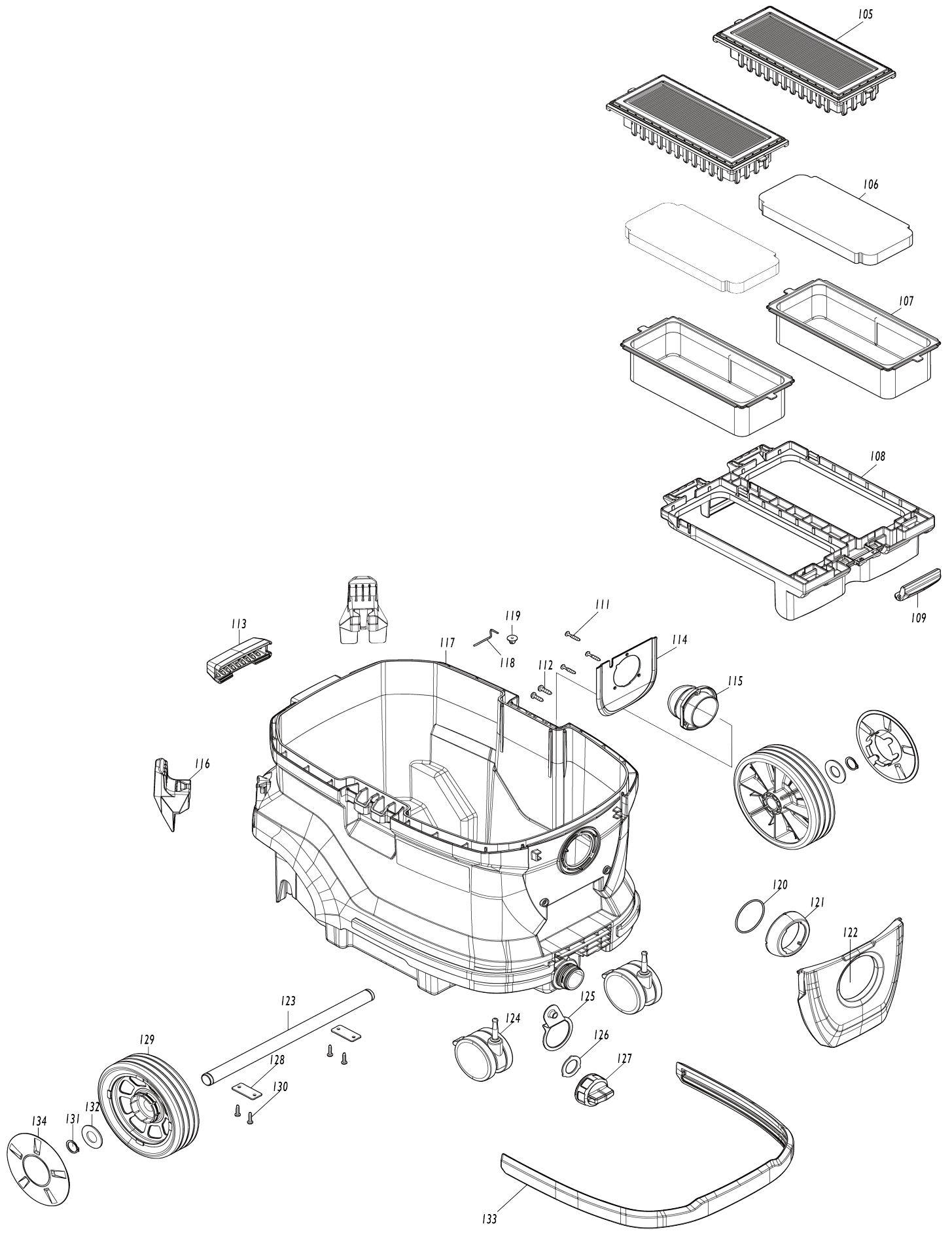
Model No.VC007GL CORDLESS VACUUM CLEANER



Model No.VC007GL CORDLESS VACUUM CLEANER



Model No.VC007GL CORDLESS VACUUM CLEANER



Model No.VC007GL CORDLESS VACUUM CLEANER

Item No.	Parts No.	Description	Interchangeability	Q'ty	New/Old	Note1	Note2
001	266351-3	TAPPING SCREW 4X35		9			
002	413B26-9	SWITCH BUTTON		1			
003	234273-5	COMPRESSION SPRING 20		2			
004	141L64-8	COWLING COMPLETE		1			
C10	8059E1-0	CAUTION LABEL		1			
C20	413K73-4	GRIP		1			
C30	413K74-2	LATCH		4			
005	266326-2	TAPPING SCREW 4X18		1			
006	413K69-5	UPPER HOUSING		1			
007	413K68-7	LOWER HOUSING		1			
008	266326-2	TAPPING SCREW 4X18		1			
009	651910-0	SWITCH D2VW-01-3HS		1			
010	266326-2	TAPPING SCREW 4X18		2			
011	620D39-7	SUB CONTROLLER		1			
012	961013-5	STOP RING E-7		1			
013	451343-7	SWITCH HOLDER		1			
014	650014-5	SWITCH 1703.4803		1			
015	961062-2	STOP RING E-12		1			
016	620F40-4	INDICATION CIRCUIT		1			
017	213054-0	O RING 9		1			
018	141L61-4	SWITCH BASE B COMPLETE		1			
C10	8056M3-4	INDICATION LABEL		1			
019	451344-5	SWITCH DIAL		1			
020	213176-6	O RING 14		1			
021	451342-9	SWITCH LEVER		1			
022	638A19-1	LEAD UNIT		1			
023	141L63-0	CAP COMPLETE		1			
024	632L47-4	CONNECTOR UNIT		1			
025	620G98-9	CONTROLLER		1			
026	629B77-4	DC MOTOR		1			
027	454207-4	GEAR CASE		1			
028	911003-8	PAN HEAD SCREW M3X6		2			
029	266351-3	TAPPING SCREW 4X35		6			
030	422929-4	REAR BLOCK FILTER		2			
031	266351-3	TAPPING SCREW 4X35		2			
032	141L58-3	SEPARATOR COMPLETE		1			
033	266326-2	TAPPING SCREW 4X18		2			
034	267067-3	FLAT WASHER 12		1			
035	226285-2	INTERNAL GEAR 42		1			
036	226283-6	SPUR GEAR 15		3			
037	153228-0	SPUR GEAR 9 COMPLETE		1			
038	226284-4	SPUR GEAR 15		3			
039	211375-4	BALL BEARING 6805LLB		1			
040	135554-9	SPINDLE ASSEMBLY		1			
041	267464-3	FLAT WASHER 34		1			
043	688131-1	LINE FILTER		1	*		
043-1	688131-1	LINE FILTER	O	1			

044	266326-2	TAPPING SCREW 4X18		4		
045	413B40-5	TERMINAL COVER		2		
046	266326-2	TAPPING SCREW 4X18		4		
047	183U06-0	TERMINAL CASE SET		1		
048	232722-6	TENSION SPRING 4		4		
049	632T08-2	TERMINAL UNIT		2		
050	183W98-1	TERMINAL CASE SET		1		
051	232472-3	COMPRESSION SPRING 2		4		
052	413B41-3	LOCK LEVER		4		
053	652031-1	PAN HEAD SCREW M3X6		4		
054	183X55-5	BATTERY COVER SET		1		
C10	8059D9-7	XGT LOGO LABEL		1		
055	231456-8	COMPRESSION SPRING 7		1		
056	413K71-8	BATTERY COVER HOOK		1		
059	422926-0	RUBBER RING		1		
060	413K59-8	MOTOR HOUSING		1		
061	629B75-8	STATOR		1		
062	413K60-3	BAFFLE PLATE		1		
063	266326-2	TAPPING SCREW 4X18		2		
064	210022-4	BALL BEARING 626DDW		1		
065	519777-1	ROTOR ASS'Y		1	*	
D10		INC. 64,66				
065-1	519777-1	ROTOR ASS'Y	O	1		
D10		INC. 64,66				
066	211491-2	BALL BEARING 609DDW		1		
067	413K61-1	BASE		1		
068	413K62-9	FAN BASE		1		
069	266173-1	TAPPING SCREW 5X30		3		
070	313062-2	FLANGE		1		
071	240178-9	FAN 104		1		
072	253752-4	FLAT WASHER 8		1		
073	252268-6	HEX. NUT M6		1		
074	347A40-6	FAN COVER		1		
075	422793-3	SUPPORT RING		1		
076	266326-2	TAPPING SCREW 4X18		2		
077	413K91-2	OUTER VALVE HOLDER		1		
078	141L70-3	OUTER VALVE COMPLETE		1		
079	266326-2	TAPPING SCREW 4X18		2		
080	413K91-2	OUTER VALVE HOLDER		1		
081	141L70-3	OUTER VALVE COMPLETE		1		
082	8581H9-6	VC007GL NAME PLATE		1		
083	421468-1	CORD SEAL		2		
084	266326-2	TAPPING SCREW 4X18		1		
085	413K94-6	SEAL STOPPER		1		
086	141L69-8	TANK COVER COMPLETE		1		
087	413K83-1	HOOK		2		
088	213304-3	O RING 20		1		
089	413K93-8	CAM		1		
090	413K92-0	INNER VALVE HOLDER		1		
091	266326-2	TAPPING SCREW 4X18		2		
092	141L71-1	INNER VALVE COMPLETE		1		
093	141L71-1	INNER VALVE COMPLETE		1		

094	413K92-0	INNER VALVE HOLDER		1		
095	266326-2	TAPPING SCREW 4X18		2		
096	422944-8	SEAL RING A		1		
097	638A41-8	LEAD UNIT		2		
098	422932-5	SEAL RING B		2		
099	413K75-0	FRONT STAND L		1		
100	413K76-8	FRONT STAND R		1		
101	266326-2	TAPPING SCREW 4X18		6		
102	413K84-9	INNER COVER		1		
103	266351-3	TAPPING SCREW 4X35		4		
104	413K85-7	REAR STAND		1		
105	1911B7-8	POWDER FILTER H SET		2		
106	1911B4-4	DAMPER SET		2		
107	1911B5-2	PRE FILTER SET		2		
108	413K86-5	TOP PLATE		1		
109	127480-6	LATCH ASSEMBLY		1		
110	422943-0	SEAL RING C		1		
111	266374-1	TAPPING SCREW 4X25		3		
112	266420-0	TAPPING SCREW 5X20		2		
113	422934-1	BUMPER B		1		
114	457853-2	HOLDER PLATE		1		
115	457852-4	HOLDER		1		
116	413K78-4	HOSE HOOK		2		
117	141M90-3	TANK COMPLETE		1		
C10	891978-6	CAUTION LABEL		1		
118	649150-2	EARTH LINE 120		1		
119	421468-1	CORD SEAL		1		
120	213655-4	O RING 56		1		
121	457851-6	INLET		1		
122	413K82-3	INLET COVER		1		
123	327A50-9	JOINT PIPE 20-343		1		
124	168547-1	CASTER 75		2		
125	457862-1	DRAIN BELT		1		
126	422179-1	SEAL		1		
127	457861-3	DRAIN CAP		1		
128	347A42-2	PLATE		2		
129	413K79-2	CASTER 170		2		
130	266326-2	TAPPING SCREW 4X18		4		
131	961060-6	RETAINING RING S-20		2		
132	267299-2	FLAT WASHER 20		2		
133	422933-3	BUMPER A		1		
134	413K80-7	WHEEL CAP		2		
135	266351-3	TAPPING SCREW 4X35		4		
A01	199455-5	NOZZLE ASSEMBLY SET		1		
A02	195433-3	HOSE COMPLETE 28-3.5 SET		1		
C10	417191-4	CUFF LOCK		1		
C20	417586-1	STOPPER		1		
C30	417662-1	SLEEVE		1		
C40	417766-9	FRONT CUFF 38		1		
C50	417765-1	FRONT CUFF 22		1		
C60	424379-9	FRONT CUFF 24		1		

A03	195434-1	HOSE COMPLETE 38-2.5 SET	1		
C10	417191-4	CUFF LOCK	1		
C20	417306-3	SLEEVE	2		
C30	417307-1	FRONT CUFF	1		
C40	417586-1	STOPPER	2		
A04	1910R3-2	POLY BAG SET	1		
A05	192563-1	STRAIGHT PIPE SET 565-38	1		
A06	192562-3	BENDING PIPE	1		
A07	410306-2	CORNER NOZZLE	1		
A08	195547-8	FRONT CUFF 22 SET	1		
A09	195546-0	FRONT CUFF 24 SET	1		
A11	451350-0	STOPPER	1		
A12	911138-5	P.H.SCREW M4X20 WITH WR	1		
A13	198900-7	WIRELESS UNIT SET	1		
F08	1910N0-0	FILTER FOR WATER SET	1		
F96	422A02-6	CAP	1		
G09	1912G4-5	TELESCOPIC PIPE COMPLETE SET	1		
G10	1912G5-3	BENT PIPE COMPLETE SET	1		
G11	413R35-4	STOPPER	1		

Please state Parts No. when your order.

Print Date 02/16/2024