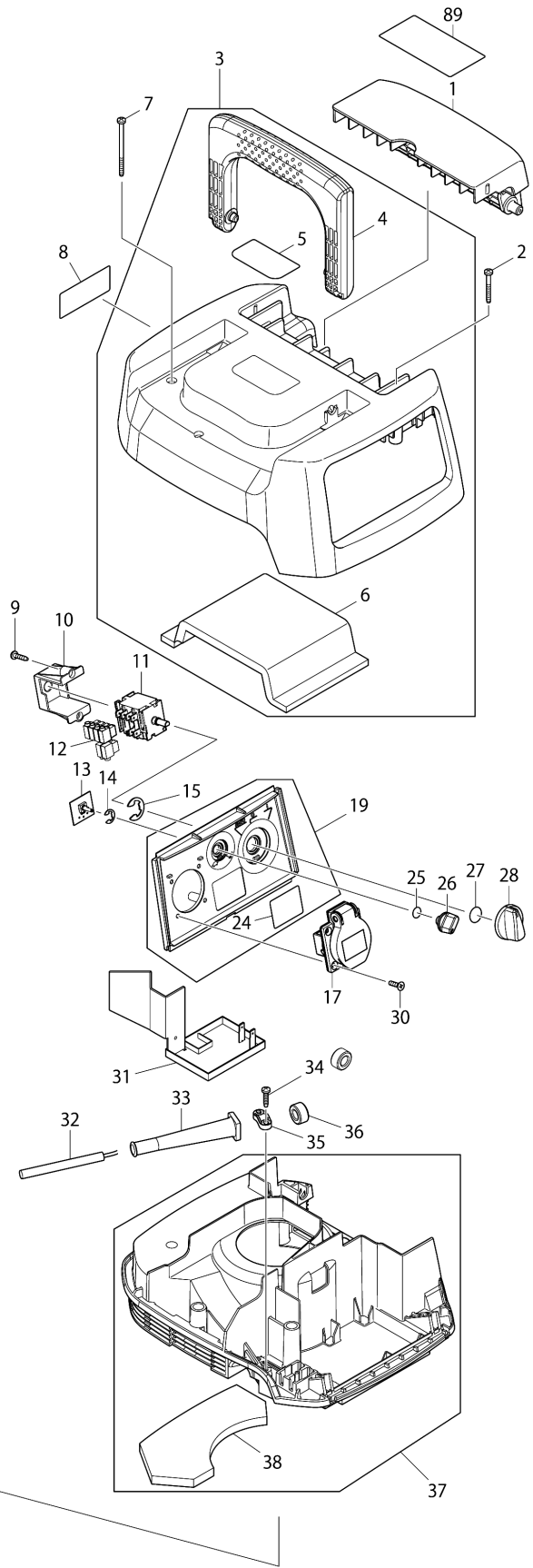
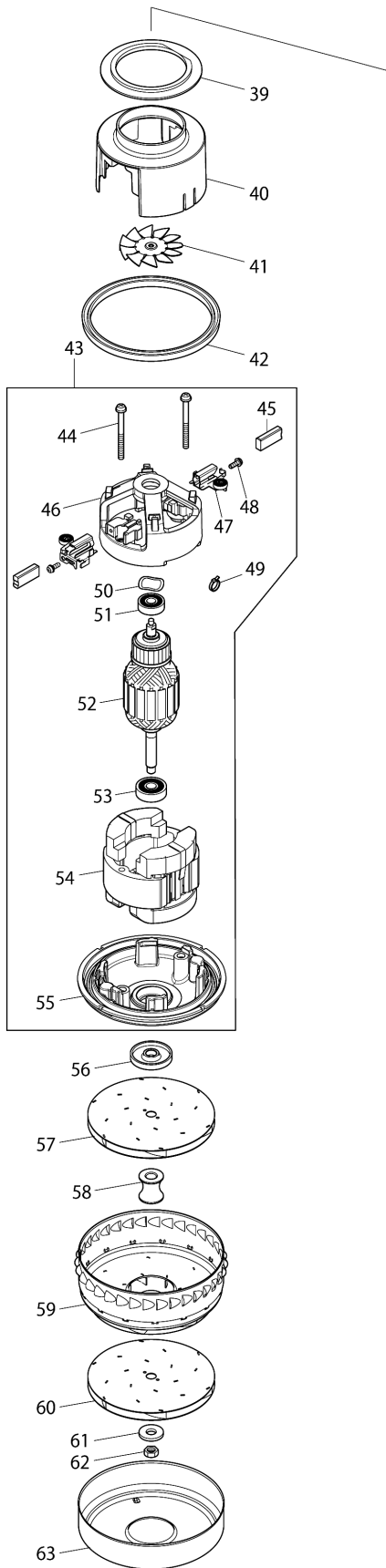
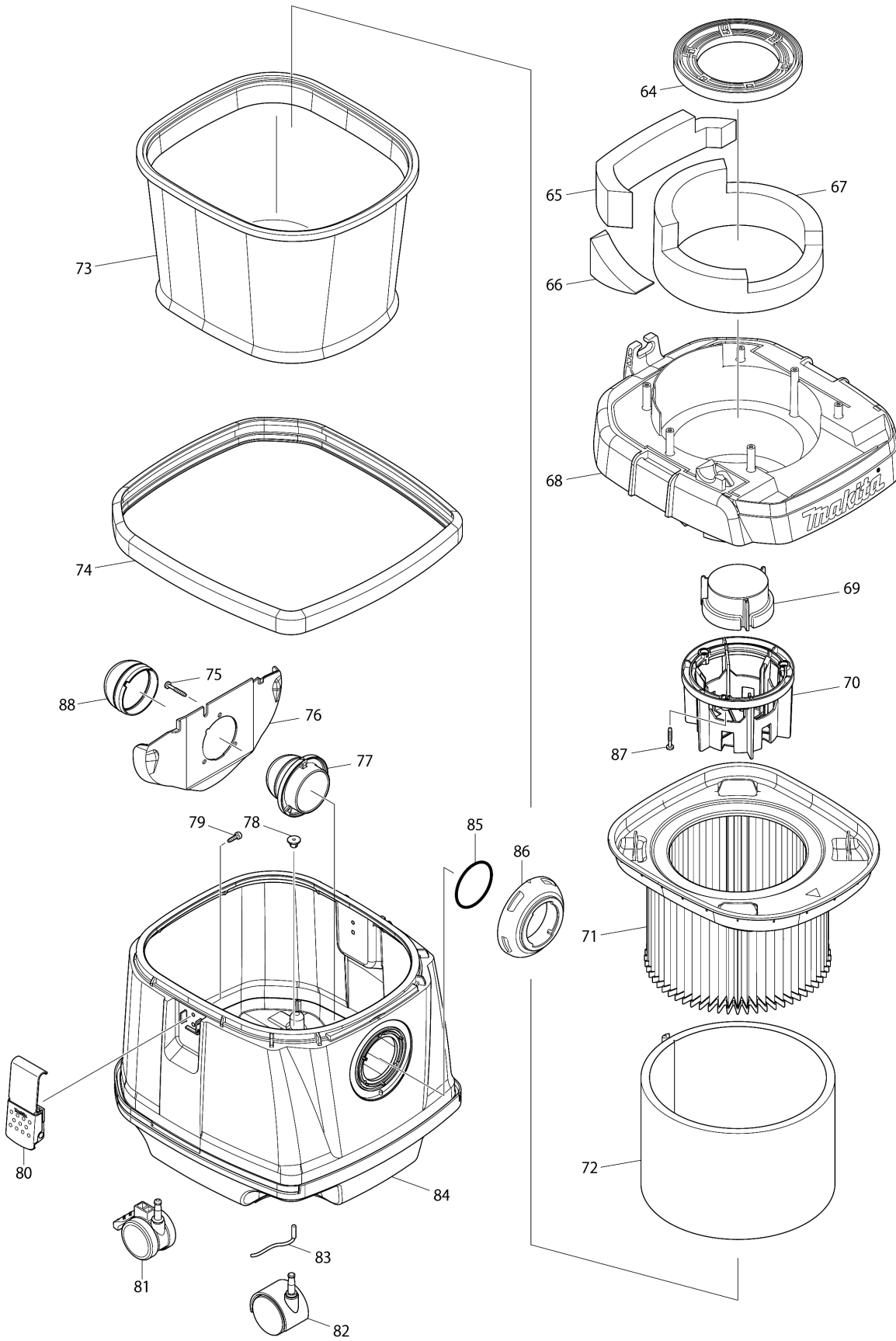


Model No.VC1310L VACUUM CLEANER



Model No.VC1310L VACUUM CLEANER



Model No.VC1310L VACUUM CLEANER

Item	Parts No.	Description	I/C	Qty	New/Old	Opt. 1	Opt. 2	Note
001	452451-7	BASE HOOK		1				
002	266053-1	TAPPING SCREW 4X35		3				
003	140751-4	COWLING COMPLETE		1				
D10		INC. 4-6						
004	451340-3	GRIP		1				
005	891977-8	CAUTION LABEL		1				
006	423393-2	TOP DAMPER		1				
007	266060-4	TAPPING SCREW 4X65		3				
008	869042-1	VC1310L NAME PLATE		1				
009	265995-6	TAPPING SCREW 4X18		2				
010	451343-7	SWITCH HOLDER		1				
011	650623-0	SWITCH		1	*			
011-1	650659-9	SWITCH	X	1				
012	686023-8	RECEPTACLE SLEEVE		6	*			
012-1	686023-8	RECEPTACLE SLEEVE	<	8				
013	631922-9	SUB CONTROLLER		1				
014	961013-5	STOP RING E-7		1				
015	961062-2	STOP RING E-12		1				
017	655117-0	OUTLET		1	*			
017-1	655123-5	OUTLET	S	1	*			
017-2	655123-5	OUTLET	O	1				
018	685740-7	RUBBER SHEET	S	1				
019	140742-5	SWITCH BASE COMPLETE		1	*			
D10		INC. 24			*			
019-1	140742-5	SWITCH BASE COMPLETE	<	1				
D10		INC. 24						
024	891982-5	CAUTION LABEL		1	*			
024-1	891982-5	CAUTION LABEL	<	1				
025	213054-0	O RING 9		1				
026	451344-5	SWITCH DIAL		1				
027	213176-6	O RING 14		1				
028	451342-9	SWITCH LEVER		1				
030	266630-9	+COUNTERSUNK TAPPING SCREW4X16		4				
031	620033-5	CONTROLLER		1				
032	695350-2	POWER SUPPLY CORD 1.5-3-5.0		1				
033	682575-7	CORD GUARD 12-90		1				
034	265999-8	TAPPING SCREW 4X25		2				
035	687149-9	STRAIN RELIEF		1				
036	688131-1	LINE FILTER		2	*			
036-1	688131-1	LINE FILTER	O	2				
037	140254-8	SEPARATOR COMPLETE		1				
D10		INC. 38						
038	423395-8	BOTTOM DAMPER		1				
039	423279-0	SEAL RING 70		1				

Please order the parts with part number.

Print Date 5/12/2023

Model No.VC1310L VACUUM CLEANER

Item	Parts No.	Description	I/C	Qty	New/Old	Opt. 1	Opt. 2	Note
040	451338-0	MOTOR COVER		1				
041	241512-6	FAN 62		1				
042	424228-0	RUBBER RING 120		1				
043	125876-5	MOTOR ASSEMBLY		1				
C10	213406-5	O RING 30	S	1				
D10		INC. 44-50,52,54,55						
044	911283-6	PAN HEAD SCREW M5X60		2				
045	195483-8	CARBON BRUSH CB-173		1				
046	452106-4	ENDBELL		1				
047	643610-6	BRUSH HOLDER 6.5X13.5		2				
048	911118-1	PAN HEAD SCREW M4X12		2				
049	687010-0	BAND		1				
050	267715-4	WAVE WASHER 20		1				
051	211092-6	BALL BEARING 629DDW		1				
052	517849-6	ARMATURE ASS'Y 240V		1				
D10		INC. 51,53						
053	211087-9	BALL BEARING 6200DDW		1				
054	526204-1	FIELD ASS'Y 240V		1				
C10	654304-8	RECEPTACLE		2				
055	452105-6	BASE		1	*			
055-1	454480-6	BASE	S	1				
056	316795-8	FLANGE		1				
057	241910-4	FAN 125		1				
058	325747-8	SPACER		1				
059	346114-4	RETURN VANE		1				
060	241910-4	FAN 125		1				
061	316799-0	FLAT WASHER 10		1				
062	931403-6	HEX. NUT M8		1				
063	346115-2	FAN COVER		1				
064	424229-8	SUPPORT RING		1				
065	423396-6	REAR BLOCK FILTER		1				
066	423399-0	SIDE BLOCK FILTER		1				
067	423397-4	BAND DAMPER		1				
068	140251-4	TANK COVER COMPLETE		1				
069	141019-1	FLOAT COMPLETE		1				
C10	423365-7	SPONGE SEAL 70		1				
070	452446-0	FLOAT CAGE		1				
071	195438-3	POWDER FILTER SET		1				
072	424377-3	DAMPER		1				
073	A-50485	PRE-FILTER COMPLETE		1	*			
073-1	140253-0	PRE-FILTER COMPLETE	O	1				
074	424230-3	BUMPER		1				
075	266257-5	TAPPING SCREW 4X28		3				
076	419351-4	HOLDER PLATE		1				
077	419350-6	HOLDER		1				

Please order the parts with part number.

Print Date 5/12/2023

Model No.VC1310L VACUUM CLEANER

Item	Parts No.	Description	I/C	Qty	New/Old	Opt. 1	Opt. 2	Note
078	421468-1	CORD SEAL		1				
079	266192-7	TAPPING SCREW 4X14		4				
080	168537-4	HOOK		2				
081	168535-8	CASTER 50		2				
082	168434-4	CASTER 50		2				
083	649150-2	EARTH LINE 120		1				
084	452291-3	TANK		1				
085	213655-4	O RING 56		1				
086	451348-7	INLET		1				
087	265999-8	TAPPING SCREW 4X25		3				
088	424382-0	RUBBER HOLDER		1				
089	891978-6	CAUTION LABEL		1				
A01	195433-3	HOSE COMPLETE 28-3.5 SET		1	*			
D10		INC. A02,A03			*			
A01-1	195433-3	HOSE COMPLETE 28-3.5 SET	O	1				
C20	417191-4	CUFF LOCK		1				
C30	417586-1	STOPPER		1				
C40	417662-1	SLEEVE		1				
C50	417766-9	FRONT CUFF 38		1				
D10		INC. A02,A03						
A02	417765-1	FRONT CUFF 22		1				
A03	424379-9	FRONT CUFF 24		1				
A04	417764-3	HOLDER 10-33		4				
A05	195432-5	POLY BAG SET(650X650)		1				
A06	195439-1	CLEANING SET 38		1				
D10		INC. A07-A10			*			
D11		INC. A07-A10,A14						
A07	195434-1	HOSE COMPLETE 38-2.5 SET		1	*			
A07-1	195434-1	HOSE COMPLETE 38-2.5 SET	O	1				
C20	417191-4	CUFF LOCK		1				
C30	417306-3	SLEEVE		2				
C40	417307-1	FRONT CUFF		1				
C50	417586-1	STOPPER		2				
A08	192563-1	STRAIGHT PIPE SET 565-38		1				
A09	192562-3	BENDING PIPE		1				
A10	410306-2	CORNER NOZZLE		1				
A11	451350-0	STOPPER		1				
A12	451354-2	PIPE HOLDER		1				
A13	911138-5	P.H.SCREW M4X20 WITH WR		1				
A14	122512-4	NOZZLE ASS'Y 38		1				
C01	151449-8	ROLLER 40 COMPLETE		2				
C06	415962-3	ROLLER 14		2				
C11	256241-8	PIN 3		2				
C16	265871-4	TAPPING SCREW BT 4X16		6				
C21	154427-7	ELBOW JOINT COMPLETE		1				

Please order the parts with part number.

Print Date 5/12/2023

Model No.VC1310L VACUUM CLEANER

Item	Parts No.	Description	I/C	Qty	New/Old	Opt. 1	Opt. 2	Note
C26	415965-7	UPPER NOZZLE		1				
C31	415964-9	JOINT HOLDER		1				
C36	743328-0	BRUSH		1				
C41	743327-2	WIPER		1				
F01	195549-4	T-NOZZLE ASSY A SET(DRY)38		1				
F02	195550-9	T-NOZZLE ASSY B SET(WET)38		1				
F03	195551-7	T-NOZZLE SET 38		1				
F04	195553-3	PRE-FILTER SET		1				
F05	195555-9	FILTER FOR WATER SET		1				
F08	192236-6	TAPERED NOZZLE SET		1				
F15	195435-9	HOSE COMPLETE 38-5 SET		1				
F16	195436-7	HOSE COMPLETE 28-5 SET		1				
F17	195437-5	HOSE COMPLETE 28-2.5 SET		1				
F21	195544-4	HOLDER 10-33 SET		1				
F22	195547-8	FRONT CUFF 22 SET		1				
F23	195545-2	FRONT CUFF 38 SET		1				
F24	195548-6	JOINT 22-38 SET		1				
F25	195552-5	DAMPER SET		1				
F26	195546-0	FRONT CUFF 24 SET		1				
F27	195637-7	HOLDER,CUFF SET		1				
F28	195557-5	FILTER BAG SET 15L(5PCS)		1	*			
F28-1	195557-5	FILTER BAG SET 15L(5PCS)	O	1				
F29	198184-7	F/C SWITCHING T-NOZZLE 38		1				
F31	198533-8	F/C SWITCHING T-NOZZLE 38 EU		1				
F32	191G76-1	MESH SLEEVE HOSE 28-5 SET		1				
F86	191M77-5	JOINT A 32 SET		1				
F87	191M78-3	JOINT B 35 SET		1				
F88	191M79-1	JOINT C 38 SET		1				
F89	198599-8	MAKPAC ADAPTER SET		1				
C10	911233-1	PAN HEAD SCREW M5X20		4				
C20	422180-6	HOSE HOOK		1				
F90	198730-6	MAKPAC ADAPTER SET		1	*			
C10	911233-1	PAN HEAD SCREW M5X20		4	*			
C20	422180-6	HOSE HOOK		1	*			
F96	422A02-6	CAP		1				
G09	1912G4-5	TELESCOPIC PIPE COMPLETE SET		1				
G10	1912G5-3	BENT PIPE COMPLETE SET		1				
G11	413R35-4	STOPPER		1				

Please order the parts with part number.

Print Date 5/12/2023