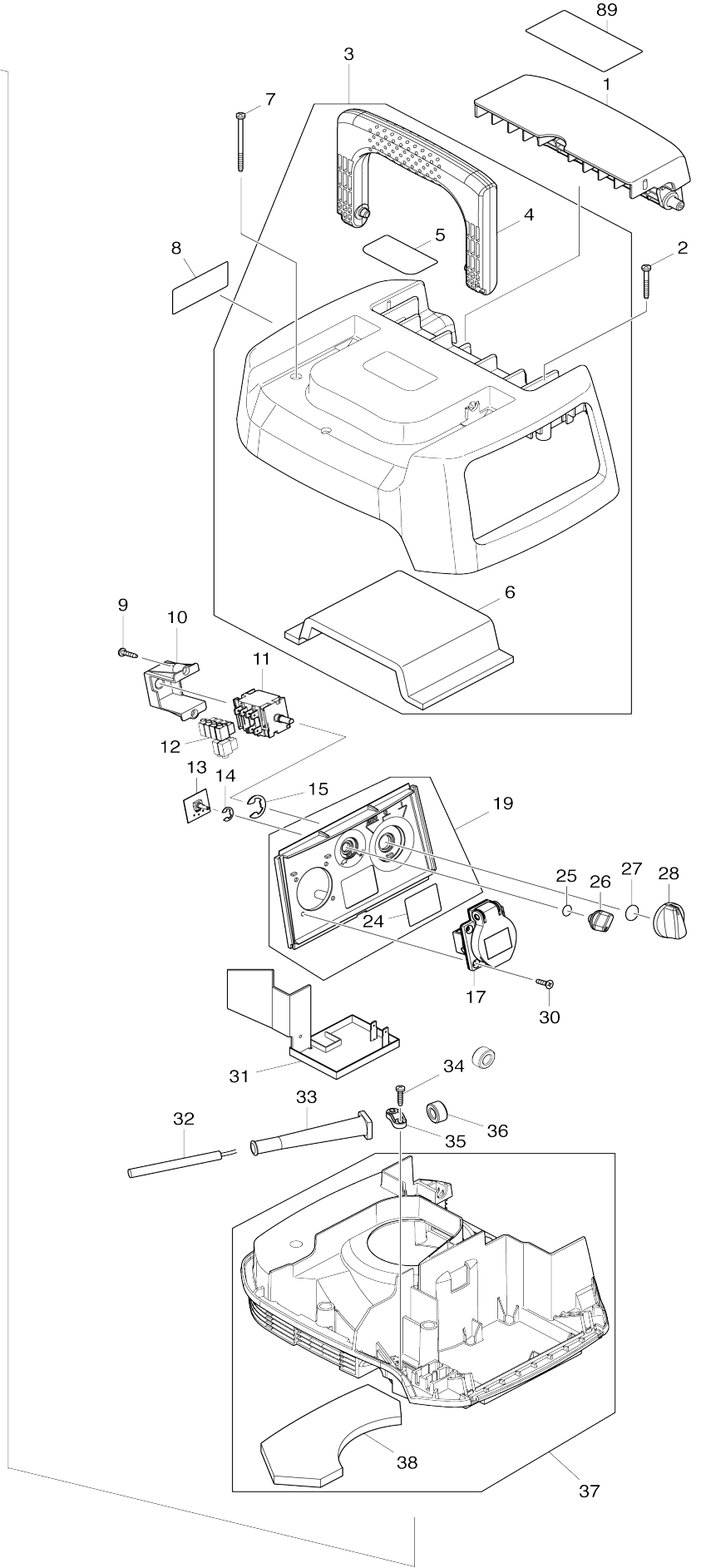
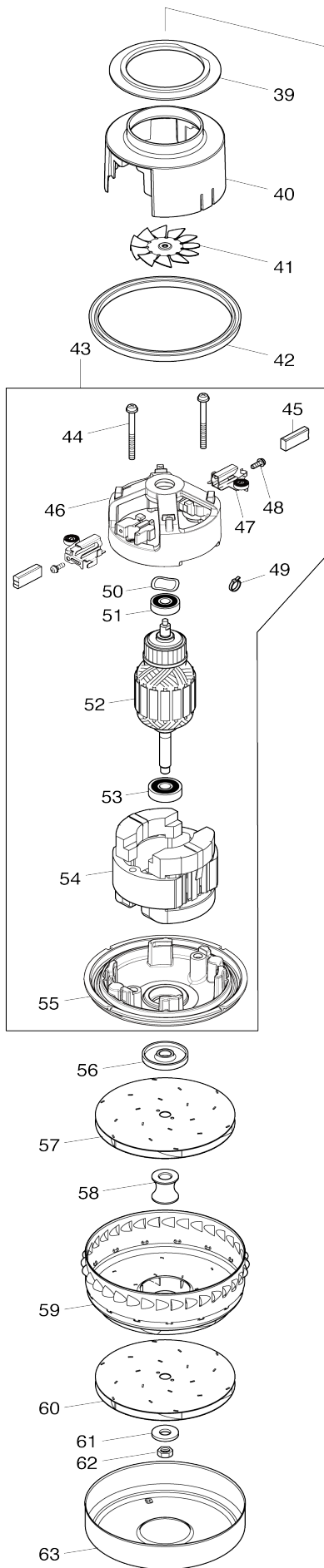
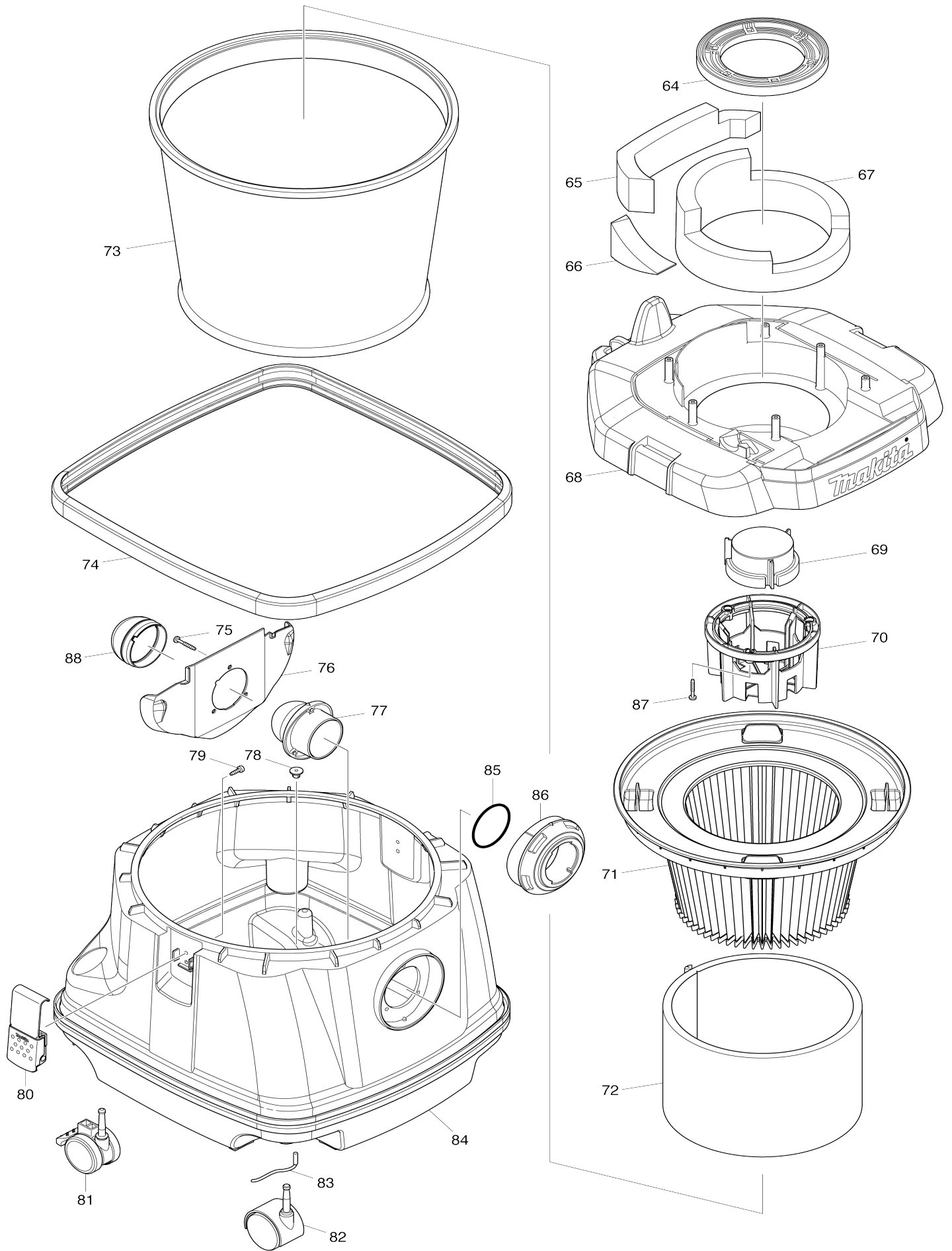


Model No.VC2510L VACUUM CLEANER



Model No.VC2510L VACUUM CLEANER



Model No.VC2510L VACUUM CLEANER

Item No.	Parts No.	Description	Interchangability	Q'ty	New/Old	Note1	Note2
001	452451-7	BASE HOOK		1			
002	266053-1	TAPPING SCREW 4X35		3			
003	140751-4	COWLING COMPLETE		1			
D10		INC. 4-6					
004	451340-3	GRIP		1			
005	891977-8	CAUTION LABEL		1			
006	423393-2	TOP DAMPER		1			
007	266060-4	TAPPING SCREW 4X65		3			
008	869050-2	VC2510L NAME PLATE		1			
009	265995-6	TAPPING SCREW 4X18		2			
010	451343-7	SWITCH HOLDER		1			
011	650623-0	SWITCH		1	*		
011-1	650659-9	SWITCH	X	1			
012	686023-8	RECEPTACLE SLEEVE		6	*		
012-1	686023-8	RECEPTACLE SLEEVE	<	8			
013	631922-9	SUB CONTROLLER		1			
014	961013-5	STOP RING E-7		1			
015	961062-2	STOP RING E-12		1			
017	655117-0	OUTLET		1	*		
017-1	655123-5	OUTLET	S	1	*		
017-2	655123-5	OUTLET	O	1			
018	685740-7	RUBBER SHEET	S	1			
019	140742-5	SWITCH BASE COMPLETE		1	*		
D10		INC. 24					
019-1	140742-5	SWITCH BASE COMPLETE	<	1			
D10		INC. 24					
024	891982-5	CAUTION LABEL		1	*		
024-1	891982-5	CAUTION LABEL	<	1			
025	213054-0	O RING 9		1			
026	451344-5	SWITCH DIAL		1			
027	213176-6	O RING 14		1			
028	451342-9	SWITCH LEVER		1			
030	266630-9	+COUNTERSUNK TAPPING SCREW 4X16		4			
031	620033-5	CONTROLLER		1			
032	695350-2	POWER SUPPLY CORD 1.5-3-5.0		1			
033	682575-7	CORD GUARD 12-90		1			
034	265999-8	TAPPING SCREW 4X25		2			
035	687149-9	STRAIN RELIEF		1			
036	688131-1	LINE FILTER		2	*		
036-1	688131-1	LINE FILTER	O	2			
037	140254-8	SEPARATOR COMPLETE		1			
D10		INC. 38					
038	423395-8	BOTTOM DAMPER		1			
039	423279-0	SEAL RING 70		1			
040	451338-0	MOTOR COVER		1			
041	241512-6	FAN 62		1			
042	424228-0	RUBBER RING 120		1			

043	125876-5	MOTOR ASSEMBLY		1		
C10	213406-5	O RING 30	S	1		
D10		INC. 44-50,52,54,55				
044	911283-6	PAN HEAD SCREW M5X60		2		
045	195483-8	CARBON BRUSH CB-173		1		
046	452106-4	ENDBELL		1		
047	643610-6	BRUSH HOLDER 6.5X13.5		2		
048	911118-1	PAN HEAD SCREW M4X12		2		
049	687010-0	BAND		1		
050	267715-4	WAVE WASHER 20		1		
051	211092-6	BALL BEARING 629DDW		1		
052	517849-6	ARMATURE ASS'Y 240V		1		
D10		INC. 51,53				
053	211087-9	BALL BEARING 6200DDW		1		
054	526204-1	FIELD ASS'Y 240V		1		
C10	654304-8	RECEPTACLE		2		
055	452105-6	BASE		1	*	
055-1	454480-6	BASE	S	1		
056	316795-8	FLANGE		1		
057	241910-4	FAN 125		1		
058	325747-8	SPACER		1		
059	346114-4	RETURN VANE		1		
060	241910-4	FAN 125		1		
061	316799-0	FLAT WASHER 10		1		
062	931403-6	HEX. NUT M8		1		
063	346115-2	FAN COVER		1		
064	424229-8	SUPPORT RING		1		
065	423396-6	REAR BLOCK FILTER		1		
066	423399-0	SIDE BLOCK FILTER		1		
067	423397-4	BAND DAMPER		1		
068	451453-0	TANK COVER		1		
069	141019-1	FLOAT COMPLETE		1		
C10	423365-7	SPONGE SEAL 70		1		
070	452446-0	FLOAT CAGE		1		
071	195441-4	POWDER FILTER SET		1		
072	424377-3	DAMPER		1		
073	A-50544	PRE-FILTER COMPLETE		1	*	
073-1	140280-7	PRE-FILTER COMPLETE	O	1		
074	424250-7	BUMPER		1		
075	266257-5	TAPPING SCREW 4X28		3		
076	417190-6	HOLDER PLATE		1		
077	451455-6	HOLDER		1		
078	421468-1	CORD SEAL		1		
079	266192-7	TAPPING SCREW 4X14		4		
080	168537-4	HOOK		2		
081	168540-5	CASTER 50		2		
082	168425-5	CASTER 50		2		
083	649150-2	EARTH LINE 120		1		
084	451457-2	TANK		1		
085	213655-4	O RING 56		1		
086	451454-8	INLET		1		

087	265999-8	TAPPING SCREW 4X25		3		
088	424382-0	RUBBER HOLDER		1		
089	891978-6	CAUTION LABEL		1		
A01	195433-3	HOSE COMPLETE 28-3.5 SET		1	*	
D10		INC. A02,A03				
A01-1	195433-3	HOSE COMPLETE 28-3.5 SET	O	1		
C20	417191-4	CUFF LOCK		1		
C30	417586-1	STOPPER		1		
C40	417662-1	SLEEVE		1		
C50	417766-9	FRONT CUFF 38		1		
D10		INC. A02,A03				
A02	417765-1	FRONT CUFF 22		1		
A03	424379-9	FRONT CUFF 24		1		
A04	417764-3	HOLDER 10-33		4		
A05	195440-6	POLY BAG SET(800X650)		1		
F01	195549-4	T-NOZZLE ASSY A SET(DRY)38		1		
F02	195550-9	T-NOZZLE ASSY B SET(WET)38		1		
F03	195551-7	T-NOZZLE SET 38		1		
F04	195554-1	PRE-FILTER SET		1		
F08	192236-6	TAPERED NOZZLE SET		1		
F15	195435-9	HOSE COMPLETE 38-5 SET		1		
F16	195436-7	HOSE COMPLETE 28-5 SET		1		
F17	195437-5	HOSE COMPLETE 28-2.5 SET		1		
F21	195544-4	HOLDER 10-33 SET		1		
F22	195547-8	FRONT CUFF 22 SET		1		
F23	195545-2	FRONT CUFF 38 SET		1		
F24	195548-6	JOINT 22-38 SET		1		
F25	195552-5	DAMPER SET		1		
F26	195546-0	FRONT CUFF 24 SET		1		
F27	195637-7	HOLDER,CUFF SET		1		
F28	195557-5	FILTER BAG SET 15L(5PCS)		1	*	
F29-2	197323-6	HOSE STAND SET	O	1		
F30	198184-7	F/C SWITCHING T-NOZZLE 38		1		
F32	198533-8	F/C SWITCHING T-NOZZLE 38 EU		1		
F33	191G76-1	MESH SLEEVE HOSE 28-5 SET		1		
F34	191F82-0	POWDER FILTER H SET		1		
F86	191M77-5	JOINT A 32 SET		1		
F87	191M78-3	JOINT B 35 SET		1		
F88	191M79-1	JOINT C 38 SET		1		
F89	198599-8	MAKPAC ADAPTER SET		1		
C10	911233-1	PAN HEAD SCREW M5X20		4		
C20	422180-6	HOSE HOOK		1		
F90	198730-6	MAKPAC ADAPTER SET		1	*	
C10	911233-1	PAN HEAD SCREW M5X20		4	*	
C20	422180-6	HOSE HOOK		1	*	
F96	422A02-6	CAP		1		
G09	1912G4-5	TELESCOPIC PIPE COMPLETE SET		1		
G10	1912G5-3	BENT PIPE COMPLETE SET		1		
G11	413R35-4	STOPPER		1		
A06	195439-1	CLEANING SET 38		1		
D10		INC. A07-A10				
D11		INC. A07-A10,A13				

A07	195434-1	HOSE COMPLETE 38-2.5 SET		1	*		
A07-1	195434-1	HOSE COMPLETE 38-2.5 SET	O	1			
C20	417191-4	CUFF LOCK		1			
C30	417306-3	SLEEVE		2			
C40	417307-1	FRONT CUFF		1			
C50	417586-1	STOPPER		2			
A08	192563-1	STRAIGHT PIPE SET 565-38		1			
A09	192562-3	BENDING PIPE		1			
A10	410306-2	CORNER NOZZLE		1			
A11	451350-0	STOPPER		1			
A12	911138-5	P.H.SCREW M4X20 WITH WR		1			
A13	122512-4	NOZZLE ASS'Y 38		1			
C01	151449-8	ROLLER 40 COMPLETE		2			
C06	415962-3	ROLLER 14		2			
C11	256241-8	PIN 3		2			
C16	265871-4	TAPPING SCREW BT 4X16		6			
C21	154427-7	ELBOW JOINT COMPLETE		1			
C26	415965-7	UPPER NOZZLE		1			
C31	415964-9	JOINT HOLDER		1			
C36	743328-0	BRUSH		1			
C41	743327-2	WIPER		1			

Please state Parts No. when your order.

Print Date 12/05/2023