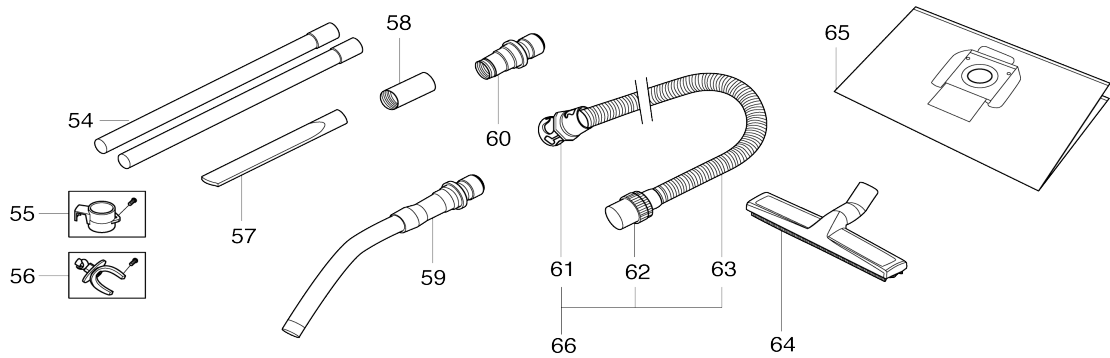
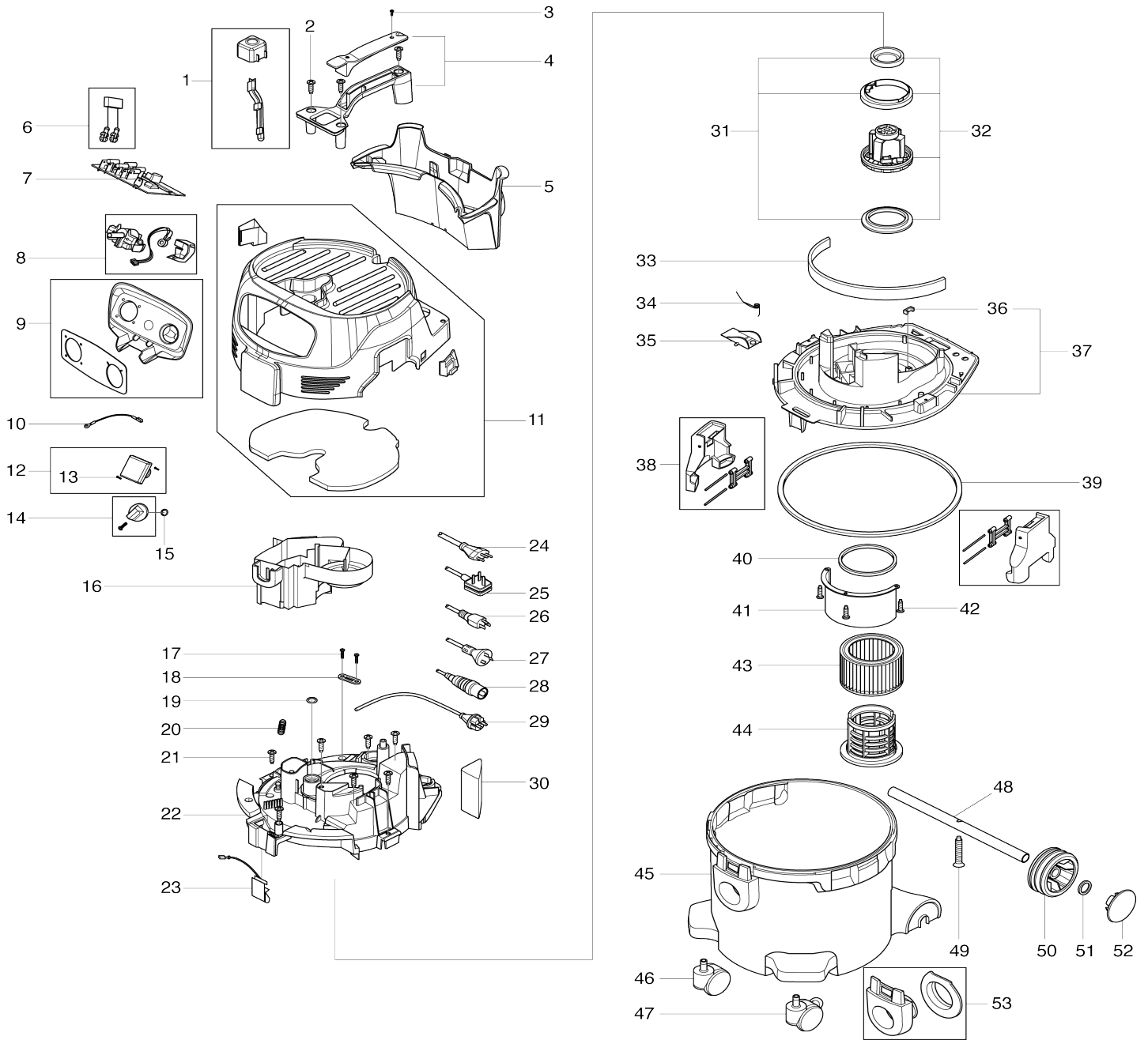


Model No.VC3012L VACUUM CLEANER



| | | | | | | | |
|-------|------------|------------------------------------|---|---|---|--|--|
| 046 | W46298 | CASTOR 60 | | 1 | * | | |
| 046-1 | W107415105 | CASTOR 60 | O | 1 | | | |
| 047 | W302000557 | CASTOR 60 WITH BRAKE | | 1 | | | |
| 048 | W302004022 | WHEEL AXLE | | 1 | | | |
| 049 | W107400063 | SCREW 5X35 | | 1 | | | |
| 050 | W302000465 | WHEEL 100 | | 2 | | | |
| 051 | W47302 | CLAMPING RING FOR WHEEL | | 2 | | | |
| 052 | W107417286 | WHEEL CAP MAKITA BLUE | | 2 | | | |
| 053 | W107402742 | FITTING WITH CLAMPING PLATE | | 1 | | | |
| 054 | P-70437 | EXTEN. TUBES 36X505(SET 2) | | 1 | | | |
| 055 | W302004027 | TUBE HOLDER-HOOK (KIT) | | 1 | | | |
| 056 | W302004018 | TUBE HOLDER-SNAP (KIT) | | 1 | | | |
| 057 | W6084 | CREVICE NOZZLE 35x300 | | 1 | | | |
| 058 | W14682 | TOOL NOZZLE 32/TOOL ADAPTE R | | 1 | * | | |
| 058-1 | W107418688 | TOOL ADAPTER 38 | < | 1 | | | |
| 059 | P-70346 | CURVED HAND TUBE INOX | | 1 | | | |
| 060 | P-70378 | TOOL ADAPTER 27 QUICKSYSTE M | | 1 | | | |
| 061 | W46947 | HOSE CONNECTOR FOR CLICK SY STE | | 1 | * | | |
| 061-1 | W107417866 | HOSE CONNECTOR CLICK SYSTE M 32 | O | 1 | | | |
| 062 | W30928 | HOSE SLEEVE 32/50 AS | | 1 | | | |
| 063 | W107417287 | SUCTION HOSE 32MMx4M BLAC K AS | | 1 | | | |
| 064 | P-81789 | FLOOR NOZZLE D36X300 WET/D RY | | 1 | | | |
| 065 | P-70219 | FILTER ELEMENT | | 1 | * | | |
| 065-1 | P-70194 | FILTERBAG 446L(SET 5) PAPER | X | 1 | * | | |
| 065-2 | P-84078 | FLEECE FILTER BAG VC3012(5PCS) | O | 1 | | | |
| 066 | P-84084 | SUCTION HOSE 32MM4M BLK AS CPL | | 1 | | | |
| D10 | | INC. 61-63 | | | | | |
| A01 | W107418678 | TOOL ADAPTOR 22 REGULATION | | 1 | | | |

Please state Parts No. when your order.

Print Date 18/09/2023