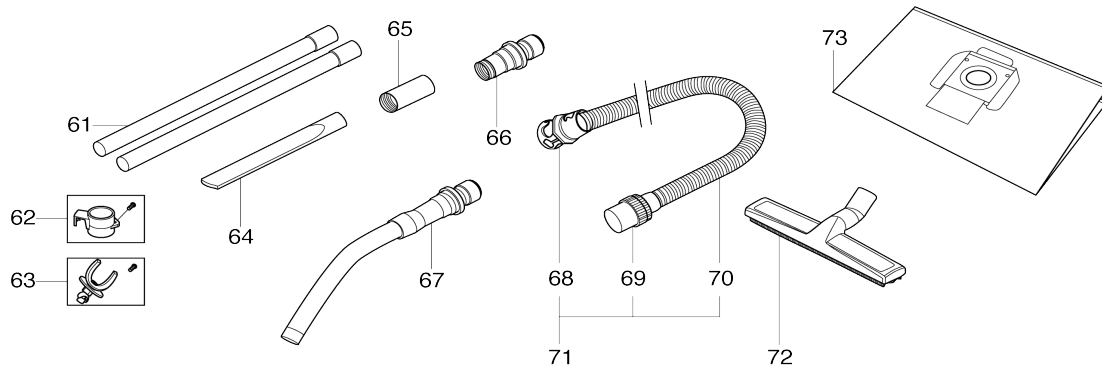
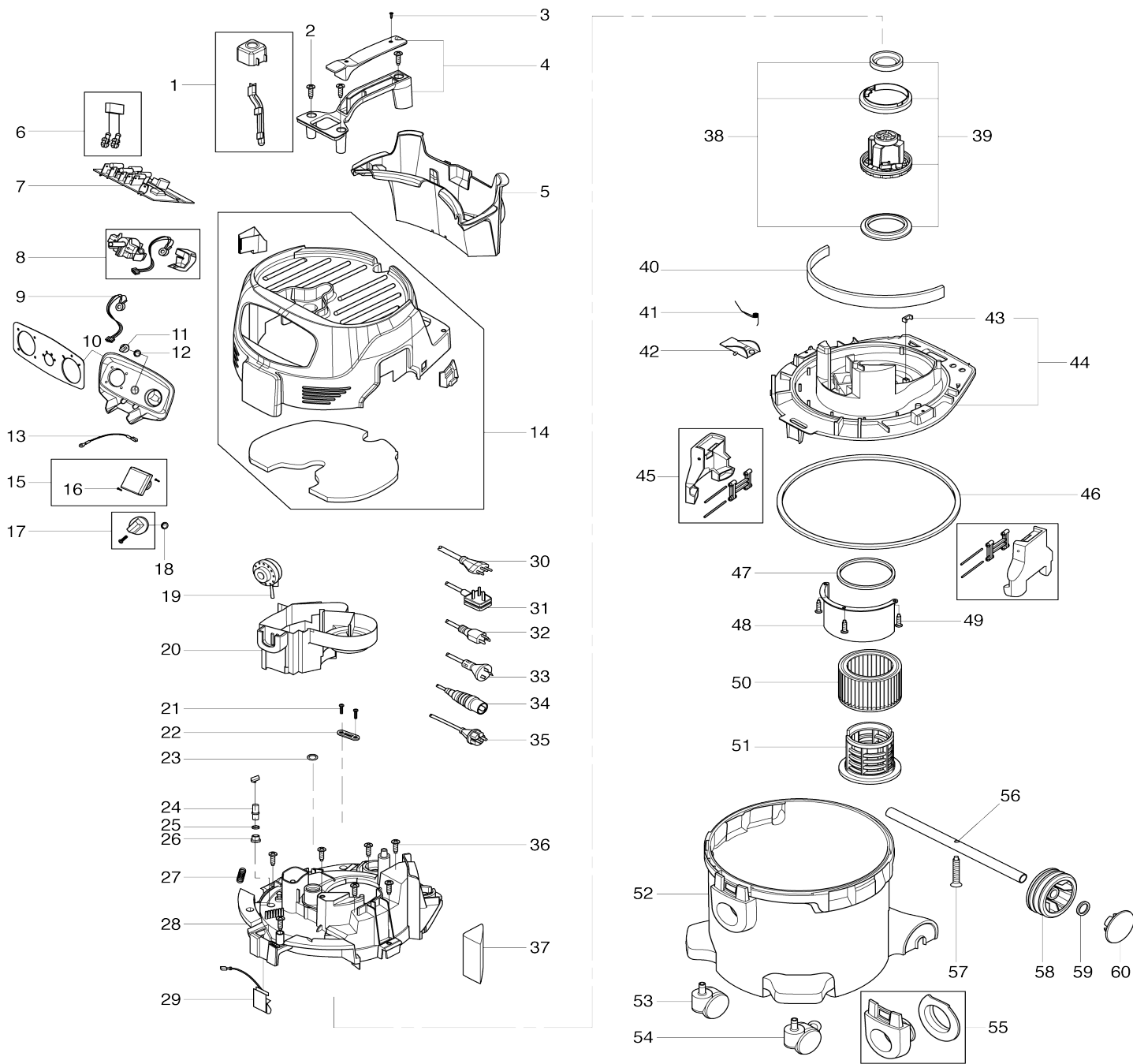


Model No.VC3012M VACUUM CLEANER



Model No.VC3012M VACUUM CLEANER

Item No.	Parts No.	Description	Interchangability	Q'ty	New/Old	Note1	Note2
001	W107417282	DEDUSTING KNOB (BLUE) WITH ROD		1			
002	W302004029	SCREW 5X18 TX20		3			
003	W302004032	SCREW 3,5X18 TX10		2			
004	W302004019	HANDLE (KIT)		1			
005	W302004026	TOOLBOX		1			
006	W107404542	CAPACITOR 0.1 MICRO FARAD		1			
007	W107400491	ELECTRONICS 2M PC 230V SET-1		1	*		
007-1	W107418425	ELECTRONICS 2M PC 230V SET-1	X	1			
008	W107413449	SWITCH KIT WITH POTENTIOMETER		1			
009	W302000429	ELECTRONIC POTENTIOMETER		1	*		
009-1	W107415024	POTENTIOMETER	X	1			
010	W107418011	SWITCHCASE VC3012M		1			
011	W107400575	TURNING KNOB FOR POTI		1			
012	W107400576	O-RING 21X1.5		1			
013	W107400264	WIRE 1SQX150 GR/YE		1			
014	W107417284	COVER MAKITA VC3012L/M (KIT)		1			
015	W302004034	SOCKET *EU* - CEE7/4		1			
D10		INC. 16					
016	W302004032	SCREW 3,5X18 TX10		2			
017	W909100222	SWITCH KNOB MAKITA BLUE		1			
D10		INC. 18					
018	W9868	O-RING 10x2.5 NBR70		1			
019	W107416958	BUZZER KIT VC4210M		1			
020	W302004015	AIRFLOW CHANNEL		1			
021	W302004032	SCREW 3,5X18 TX10		2			
022	W302004030	STRAP FOR CORD		1			
023	W302004061	O-RING 25X2 NBR70		1			
024	W107416952	FLOW SENSOR		1			
025	W55416	O-RING 4.0X1.5 NBR70		1			
026	W107400578	HOSE CLAMP D10		1			
027	W302004031	TERMINAL STRIP 6-POL 16A		1			
028	W302004009	CLAMPING PLATE MAKITA VC3012		1			
029	W302004023	CONTACT SPRING WITH WIRE		1			
035	W107400573	POWER CORD EU		1			
036	W302004029	SCREW 5X18 TX20		7			
037	W302004045	SOUND ABSORBER FOR AIR OUTLET		1			
038	W302003385	ELASTIC SUSPENSION (KIT)		1			
039	W302003384	TURBINE 1200W 220-240V (KIT)		1			
040	W302004010	SOUND ABSORBER FOR BASE PLATE		1			
041	W909100083	TORSION SPRING		1			
042	W302000344	FLAP FOR FILTER CLEANING		1			
043	W107401937	PLUG FOR BASE PLATE		1			
044	W302004007	BASE PLATE VC3012		1			
D10		INC. 43					

045	W107400301	CONTAINER CLAMP		1	*		
045-1	W107400301	CONTAINER CLAMP	O	2			
046	W107400056	GASKET FOR CONTAINER		1			
047	W302000460	SEALING RING FOR FILTER		1			
048	W302004016	DEFLECTOR PLATE		1			
049	W302004029	SCREW 5X18 TX20		3			
050	P-70219	FILTER ELEMENT		1			
051	W107402646	KIT FILTER SUPPORT CAGE +FLO AT		1			
052	W107417285	CONTAINER MAKITA VC3012L/M		1			
053	W46298	CASTOR 60		1	*		
053-1	W107415105	CASTOR 60	O	1			
054	W302000557	CASTOR 60 WITH BRAKE		1			
055	W107402742	FITTING WITH CLAMPING PLATE		1			
056	W302004022	WHEEL AXLE		1			
057	W107400063	SCREW 5X35		1			
058	W302000465	WHEEL 100		2			
059	W47302	CLAMPING RING FOR WHEEL		2			
060	W107417286	WHEEL CAP MAKITA BLUE		2			
061	P-70437	EXTEN. TUBES 36X505(SET 2)		1			
062	W302004027	TUBE HOLDER-HOOK (KIT)		1			
063	W302004018	TUBE HOLDER-SNAP (KIT)		1			
064	W6084	CREVICE NOZZLE 35x300		1			
065	W14682	TOOL NOZZLE 32/TOOL ADAPTE R		1	*		
065-1	W107418688	TOOL ADAPTER 38	<	1			
066	P-70378	TOOL ADAPTER 27 QUICKSYSTE M		1			
067	P-70346	CURVED HAND TUBE INOX		1			
068	W46947	HOSE CONNECTOR FOR CLICK SY STE		1	*		
068-1	W107417866	HOSE CONNECTOR CLICK SYSTE M 32	O	1			
069	W30928	HOSE SLEEVE 32/50 AS		1			
070	W107417287	SUCTION HOSE 32MMx4M BLAC K AS		1			
071	P-84084	SUCTION HOSE 32MM4M BLK AS CPL		1			
D10		INC. 66,68-70					
072	P-81789	FLOOR NOZZLE D36X300 WET/D RY		1			
073	P-70219	FILTER ELEMENT		1	*		
073-1	P-70194	FILTERBAG 446L(SET 5) PAPER	X	1	*		
073-2	P-84078	FLEECE FILTER BAG VC3012(5PCS)	O	1			
074	W000014775	HOSE INLET PLUG		1	*		
074-1	W107420435	HOSE INLET PLUG SET	S	1			
075	W000024738	SCREW		1	*		
076	W000030081	CHAIN		1	*		
076-1	W107419668	RUBBER STRAP	O	1	*		

Please state Parts No. when your order.

Print Date 30/01/2024