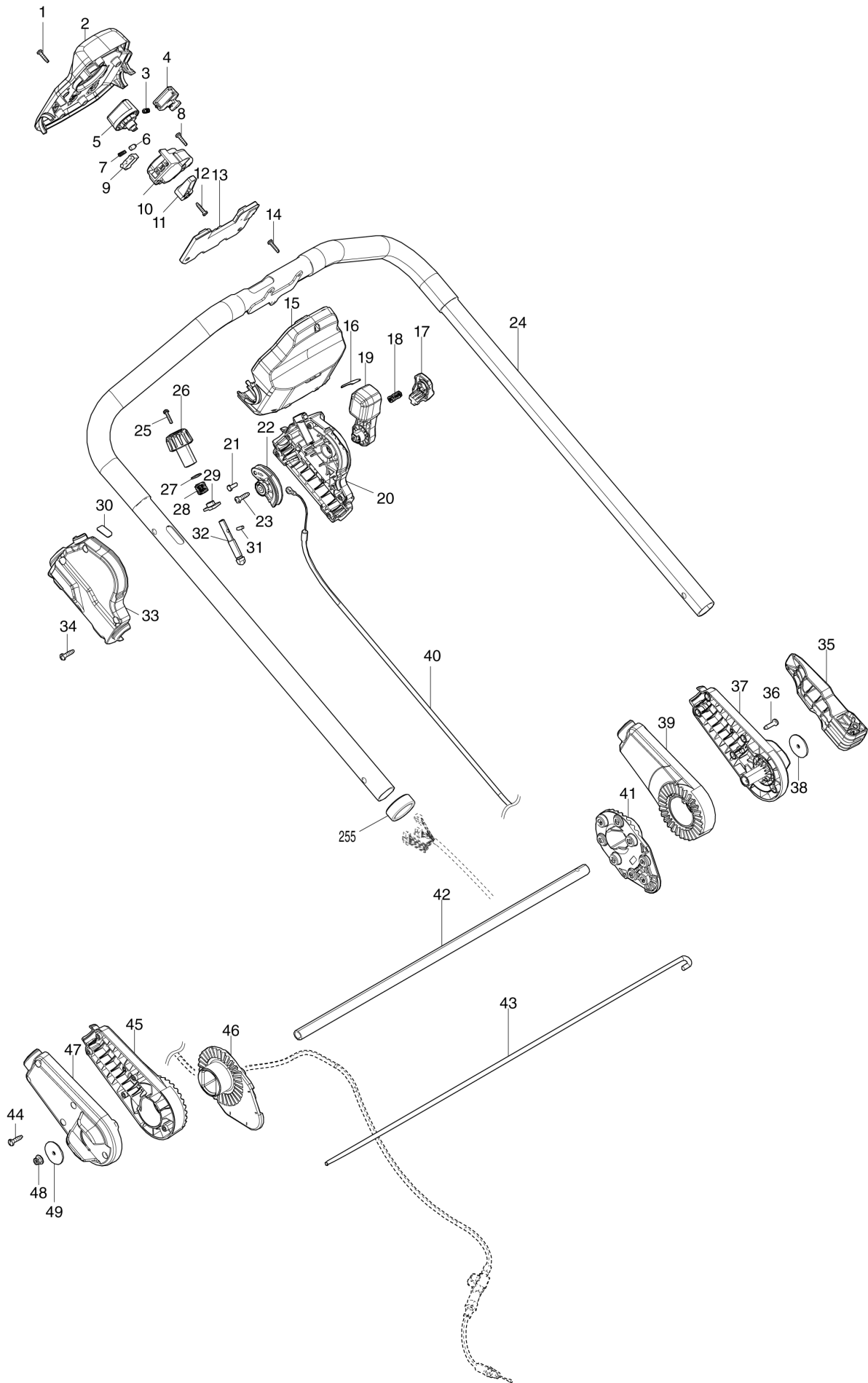
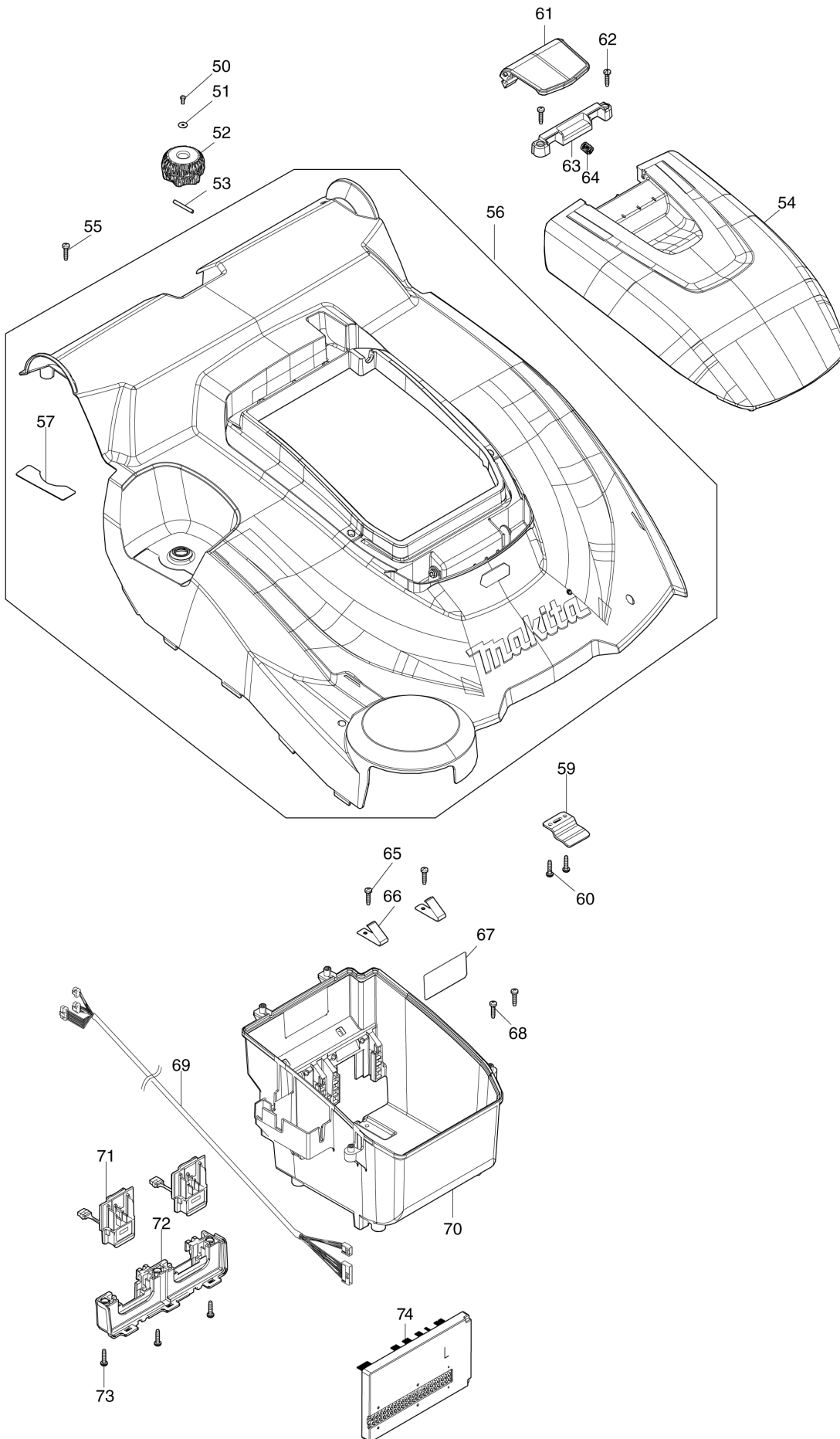


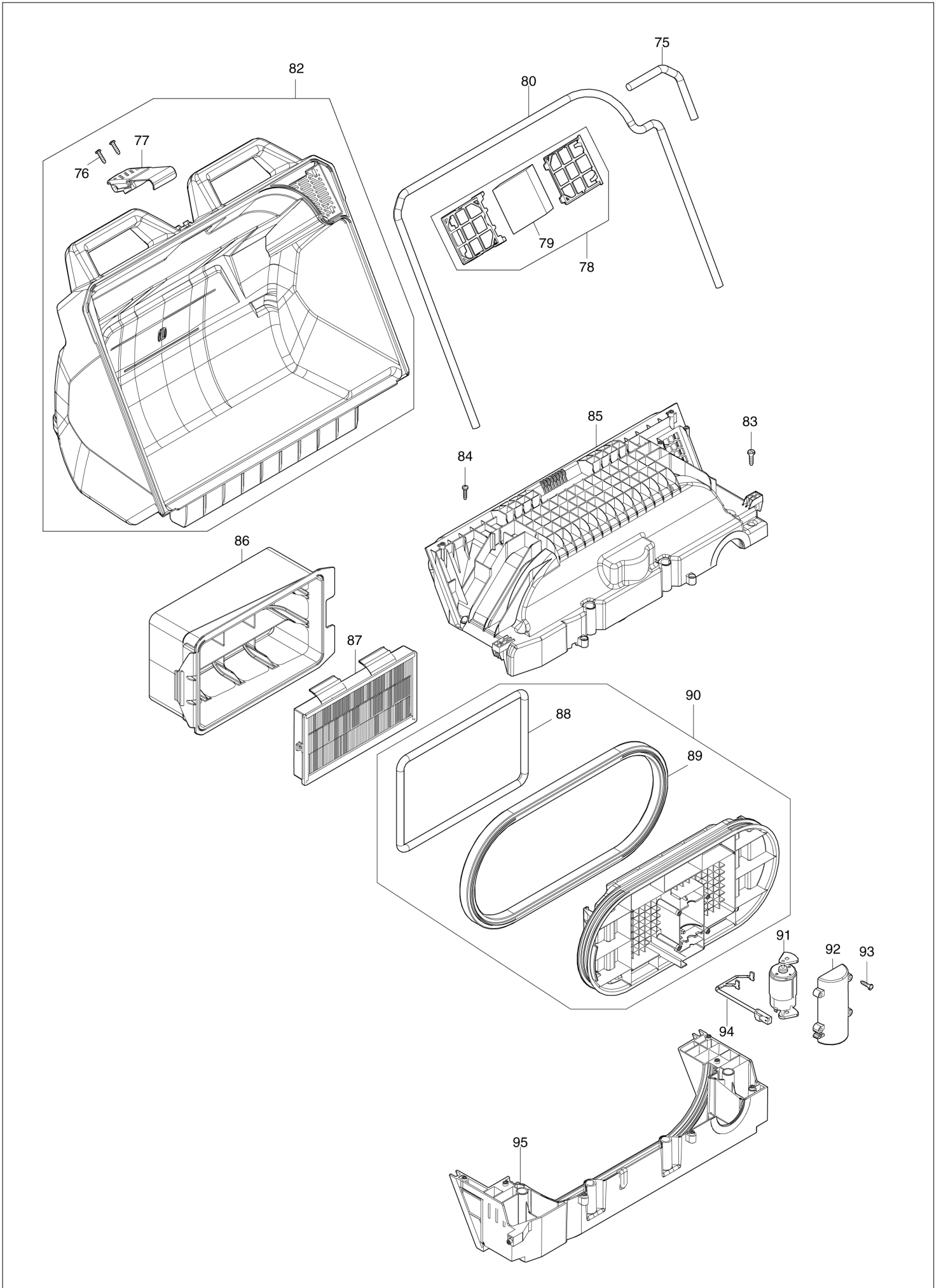
(AE) VS001G / CORDLESS VACUUM SWEEPER



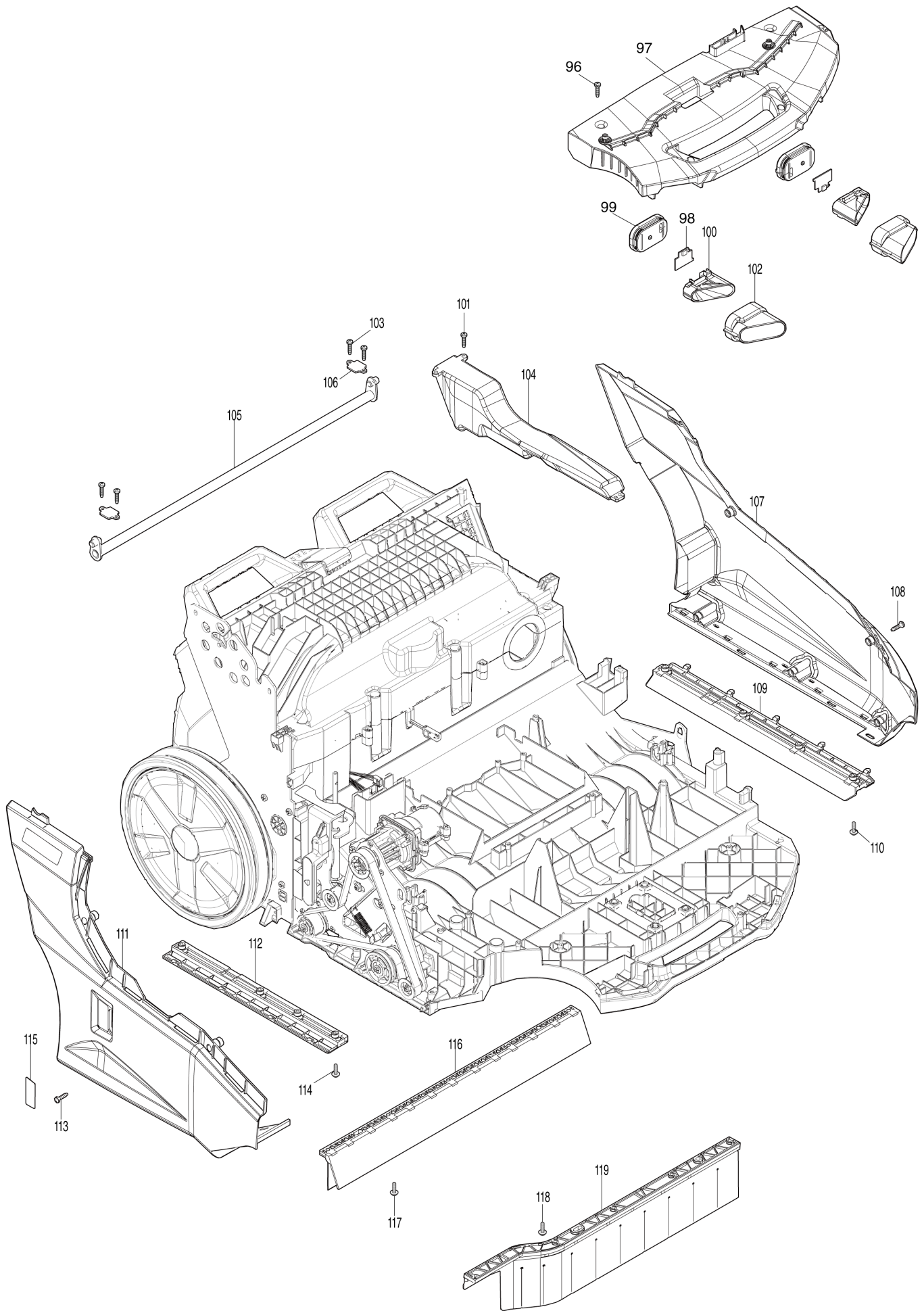
(AE) VS001G / CORDLESS VACUUM SWEEPER



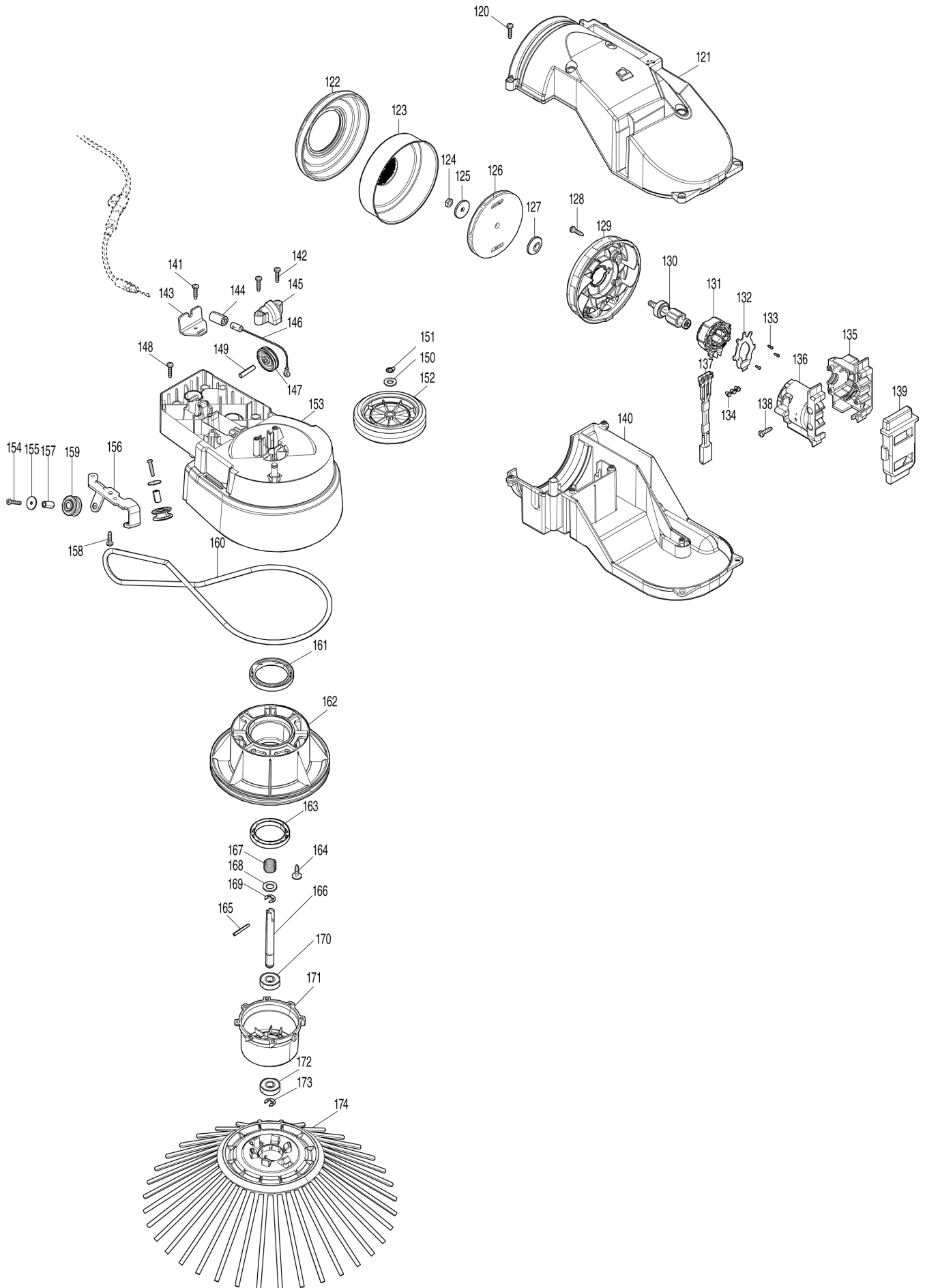
(AE) VS001G / CORDLESS VACUUM SWEEPER



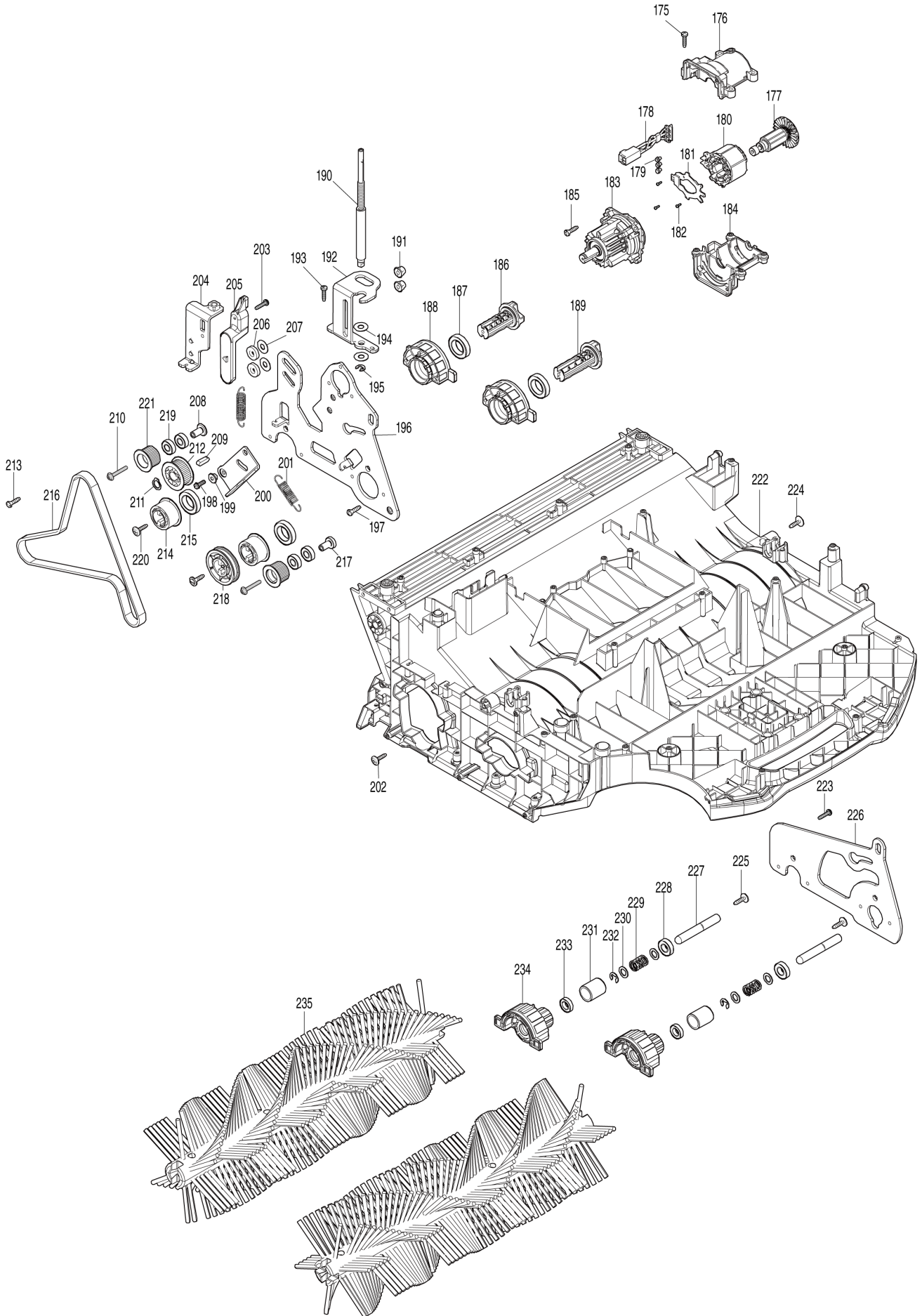
(AE) VS001G / CORDLESS VACUUM SWEEPER



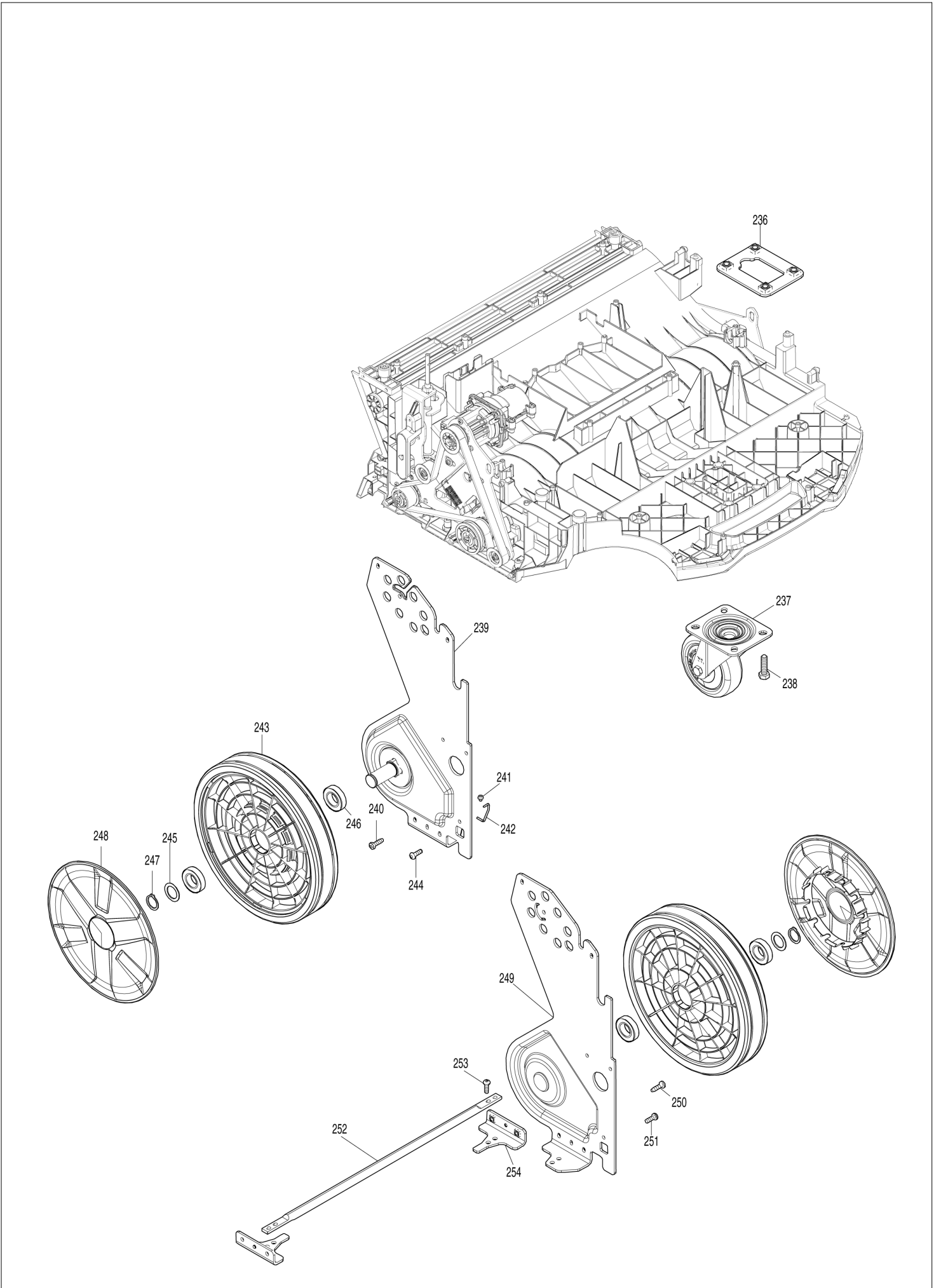
(AE) VS001G / CORDLESS VACUUM SWEEPER



(AE) VS001G / CORDLESS VACUUM SWEEPER



(AE) VS001G / CORDLESS VACUUM SWEEPER



VS001G / CORDLESS VACUUM SWEEPER

Item	Sub	Parts No.	Parts Description	Qty			
001		266429-2	TAPPING SCREW 3X16	5			
002		1830P2-4	SWITCH CASE SET	1			
	D10		INC. 15				
003		232386-6	COMPRESSION SPRING 4	1			
004		413U45-9	LOCK OFF BUTTON	1			
005		413U44-1	SWITCH DIAL	1			
006		347B85-0	PLUNGER CAP	1			
007		233188-3	COMPRESSION SPRING 2.4	1			
008		266429-2	TAPPING SCREW 3X16	2			
009		632V26-2	SWITCH UNIT	1			
010		413U43-3	SWITCH LEVER CASE	1			
011		413U46-7	SWITCH LEVER	1			
012		266429-2	TAPPING SCREW 3X16	1			
013		620J57-1	SWTCH CIRCUIT	1			
014		266429-2	TAPPING SCREW 3X16	3			
015		1830P2-4	SWITCH CASE SET	1			
	D10		INC. 2				
016		8074D9-3	OPERATIONAL INDICATION LABEL	1			
017		413U51-4	BUTTON	1			
018		234013-1	COMPRESSION SPRING 5	1			
019		413U50-6	SIDE BRUSH LEVER	1			
020		1830T9-8	LEVER CASE SET	1			
	D10		INC. 16,30,33				
021		256A47-0	FLAT FILLISTER HEAD PIN 4	1			
022		413U49-1	CABLE GUIDE	1			
023		265995-6	TAPPING SCREW 4X18	1			
024		327C57-7	HANDLE	1			
025		911028-2	PAN HEAD SCREW M3X16	1			
026		413U48-3	THUMB SCREW DIAL	1			
027		941151-9	FLAT WASHER 6	1			
028		232840-0	COMPRESSION SPRING 11	1			
029		252335-7	WELD NUT M8 TYPE T	1			
030		8074E1-6	OPERATIONAL INDICATION LABEL	1			
031		256255-7	PIN 3	1			
032		327C58-5	DIAL SHAFT M8	1			
033		1830T9-8	LEVER CASE SET	1			
	D10		INC. 16,20,30				
034		265995-6	TAPPING SCREW 4X18	5			
035		122F51-0	HANDLE LEVER ASSEMBLY	1			
036		265995-6	TAPPING SCREW 4X18	5			
037		1830G6-3	HANDLE CAM SET	1			
	D10		INC. 39				
038		267136-0	FLAT WASHER 5	1			
039		1830G6-3	HANDLE CAM SET	1			
	D10		INC. 37				
040		162C92-6	LINK CABLE B	1			
041		413U40-9	HANDLE CAM B	1			
042		327C59-3	HANDLE PIPE	1			
043		327C60-8	HANDLE LEVER LINK M5	1			
044		265995-6	TAPPING SCREW 4X18	5			
045		1830G6-3	HANDLE CAM SET	1			
	D10		INC. 47				
046		413U40-9	HANDLE CAM B	1			
047		1830G6-3	HANDLE CAM SET	1			
	D10		INC. 45				
048		252286-4	COLLARED HEX.LOCK NUT M5-8	1			
049		267136-0	FLAT WASHER 5	1			
050		911007-0	PAN HEAD SCREW M3X8	1			
051		253821-1	FLAT WASHER 3	1			
052		413U60-3	MAIN BRUSH DIAL	1			
053		268182-6	PIN 3	1			
054		413U57-2	BATTERY COVER	1			
055		265995-6	TAPPING SCREW 4X18	7			
056		137135-5	TOP COVER ASSEMBLY	1			
	C10	422756-9	SPONGE SEAL	1			

VS001G / CORDLESS VACUUM SWEEPER

Item	Sub	Parts No.	Parts Description	Qty			
	D10		INC. 57				
057		8074E3-2	OPERATIONAL INDICATION LABEL	1			
059		347B86-8	TOP COVER PLATE	1			
060		265995-6	TAPPING SCREW 4X18	2			
061		413U58-0	LATCH	1			
062		265995-6	TAPPING SCREW 4X18	2			
063		413U59-8	BATTERY HOOK BASE	1			
064		234391-9	COMPRESSION SPRING 8	1			
065		265995-6	TAPPING SCREW 4X18	2			
066		232818-3	LEAF SPRING	2			
067		8143U6-5	VS001G NAME PLATE	1			
068		265995-6	TAPPING SCREW 4X18	2			
069		699233-8	POWER SUPPLY CORD UNIT	1			
070		1830F8-2	BATTERY HOLDER SET	1			
	C10	263005-3	RUBBER PIN 6	4			
	D10		INC. 72				
071		632R99-1	TERMINAL UNIT	2			
072		1830F8-2	BATTERY HOLDER SET	1			
	C10	263005-3	RUBBER PIN 6	4			
	D10		INC. 70				
073		265995-6	TAPPING SCREW 4X18	3			
074		620N71-1	CONTROLLER	1			
075		422A72-5	SEAL B	1			
076		265995-6	TAPPING SCREW 4X18	2			
077		162C93-4	HOOK	1			
078		137060-0	SPONGE CASE ASSEMBLY	1			
	D10		INC. 79				
079		422B41-2	SPONGE SHEET	1			
080		422A71-7	SEAL A	1			
082		137059-5	DUST CONTAINER ASSEMBLY	1			
	D10		INC. 76,77				
083		266021-4	TAPPING SCREW 5X20	4			
084		265995-6	TAPPING SCREW 4X18	7			
085		413U13-2	DUCT UPPER	1			
086		162C89-5	PRE FILTER	1			
087		162699-0	MAIN FILTER H	1			
087-1		191D12-9	MAIN FILTER H SET	1			
088		422A68-6	SEAL RING B	1			
089		422A69-4	SEAL RING A	1			
090		137057-9	FILTER HOLDER ASSMBLY	1			
	D10		INC. 88,89				
091		141S68-2	MOTOR COMPLETE	1			
092		413U12-4	MOTOR COVER	1			
093		265995-6	TAPPING SCREW 4X18	4			
094		638A81-6	LEAD UNIT	1			
095		141S67-4	DUCT LOWER COMPLETE	1			
096		265995-6	TAPPING SCREW 4X18	5			
097		413U04-3	HANDLE COVER	1			
098		620J60-2	LED CIRCUIT	1			
099		422A66-0	RUBBER CAP	2			
100		413U05-1	REFLECTOR	2			
101		265995-6	TAPPING SCREW 4X18	4			
102		413U06-9	LENS	2			
103		265995-6	TAPPING SCREW 4X18	4			
104		162C91-8	TUBE COMPLETE	1			
105		327C55-1	BRUSH PLATE LINK	1			
106		346525-3	PLATE	2			
107		1830T8-0	SIDE COVER SET	1			
	D10		INC. 111,115				
108		265995-6	TAPPING SCREW 4X18	5			
109		413U02-7	SIDE LIP L	1			
110		911129-6	PAN HEAD SCREW M4X16	4			
111		1830T8-0	SIDE COVER SET	1			
	D10		INC. 107,115				
112		413U01-9	SIDE LIP R	1			

VS001G / CORDLESS VACUUM SWEEPER

Item	Sub	Parts No.	Parts Description	Qty			
113		265995-6	TAPPING SCREW 4X18	5			
114		911129-6	PAN HEAD SCREW M4X16	4			
115		8074E5-8	INDICATION LABEL	1			
116		413U03-5	REAR LIP	1			
117		911129-6	PAN HEAD SCREW M4X16	5			
118		911129-6	PAN HEAD SCREW M4X16	5			
119		413U00-1	FRONT LIP	1			
120		265995-6	TAPPING SCREW 4X18	9			
121		1830G2-1	SILENCER SET	1			
	D10		INC. 140				
122		422376-9	SUPPORT RING	1			
123		161804-6	FAN COVER	1			
124		252268-6	HEX. NUT M6	1			
125		322407-3	WASHER 6	1			
126		241851-4	FAN 94	1			
127		313062-2	FLANGE	1			
128		265995-6	TAPPING SCREW 4X18	3			
129		456736-3	FAN BASE	1			
130		619517-8	ROTOR	1			
131		629C31-4	STATOR	1			
132		620J58-9	CONTROLLER B	1			
133		266490-9	TAPPING SCREW PT 2X6	3			
134		652069-6	FLAT HEAD SCREW M3X6	3			
135		1830G7-1	MOTOR HOUSING SET	1			
	D10		INC. 136				
136		1830G7-1	MOTOR HOUSING SET	1			
	D10		INC. 135				
137		632V04-2	LEAD UNIT	1			
138		265995-6	TAPPING SCREW 4X18	4			
139		424837-5	SUPPORT A	1			
140		1830G2-1	SILENCER SET	1			
	D10		INC. 121				
141		265995-6	TAPPING SCREW 4X18	1			
142		265995-6	TAPPING SCREW 4X18	2			
143		347B83-4	CABLE PLATE	1			
144		422A89-8	CAP	1			
145		413U29-7	ROLLER COVER	1			
146		162C90-0	LINK CABLE A	1			
147		413U28-9	LINK CABLE ROLLER	1			
148		265995-6	TAPPING SCREW 4X18	3			
149		256186-0	PIN 5	1			
150		941202-8	FLAT WASHER 8	1			
151		961004-6	RETAINING RING (EXT) S-8	1			
152		413U26-3	ROLLER	1			
153		413U25-5	SIDE BRUSH HOLDER	1			
154		911137-7	PAN HEAD SCREW M4X20	2			
155		267491-0	FLAT WASHER 4	2			
156		347B84-2	PULLEY HOLDER	1			
157		257A22-9	SLEEVE 4	2			
158		265995-6	TAPPING SCREW 4X18	2			
159		222211-9	GUIDE PULLEY 6.2-19.7	2			
160		225110-4	ROUND BELT 6-860	1			
161		211293-6	BALL BEARING 6809LLB	1			
162		222210-1	ROUND PULLEY 6.2-149.6	1			
163		210229-2	BALL BEARING 6808LLB	1			
164		265620-9	TAPPING SCREW FLANGE 4X18	5			
165		256267-0	PIN 3	1			
166		327C56-9	SIDE BRUSH SHAFT	1			
167		232841-8	COMPRESSION SPRING 14	1			
168		941252-3	FLAT WASHER 10	1			
169		961013-5	STOP RING E-7	1			
170		210141-6	BALL BEARING 6000DDW	1			
171		413U27-1	BRUSH LOCK	1			
172		210141-6	BALL BEARING 6000DDW	1			
173		961013-5	STOP RING E-7	1			

VS001G / CORDLESS VACUUM SWEEPER

Item	Sub	Parts No.	Parts Description	Qty			
174		1830S6-7	SIDE BRUSH REPAIR SET	1			
175		265995-6	TAPPING SCREW 4X18	4			
176		1830G8-9	MOTOR CASE SET	1			
	D10		INC. 184				
177		619826-5	ROTOR	1			
178		632V03-4	LEAD UNIT	1			
179		652069-6	FLAT HEAD SCREW M3X6	3			
180		629C30-6	STATOR	1			
181		620J59-7	CONTROLLER B	1			
182		266490-9	TAPPING SCREW PT 2X6	3			
183		122F46-3	GEAR ASSEMBLY	1			
184		1830G8-9	MOTOR CASE SET	1			
	D10		INC. 176				
185		265995-6	TAPPING SCREW 4X18	4			
186		413U20-5	PULLEY SHAFT R	1			
187		211333-0	BALL BEARING 6804LLU	2			
188		413U19-0	BEARING HOLDER R	2			
189		413U22-1	PULLEY SHAFT F	1			
190		327C53-5	DIAL SHAFT	1			
191		252301-4	HEX. FLANGE LOCK NUT M6-10	2			
192		347B81-8	DIAL BASE	1			
193		265995-6	TAPPING SCREW 4X18	2			
194		253139-0	FLAT WASHER 8	2			
195		961012-7	STOP RING E-6	1			
196		347B78-7	BRUSH PLATE R	1			
197		265995-6	TAPPING SCREW 4X18	4			
198		911123-8	PAN HEAD SCREW M4X14	2			
199		257A19-8	COLLARED SLEEVE 4C	2			
200		347B79-5	TENSION PLATE	1			
201		232839-5	TENSION SPRING 9	2			
202		251599-0	TAPPING SCREW 4X18	1			
203		265995-6	TAPPING SCREW 4X18	1			
204		347B80-0	HEIGHT ADJUST PLATE	1			
205		413U23-9	HEIGHT INDICATOR	1			
206		262212-5	RUBBER RING 8	2			
207		253139-0	FLAT WASHER 8	2			
208		257A20-3	COLLARED SLEEVE 4B	1			
209		254220-0	KEY 5	1			
210		911159-7	PAN HEAD SCREW M4X30	2			
211		961052-5	RETAINING RING (EXT) S-12	1			
212		222206-2	PULLEY 14-33.6	1			
213		265995-6	TAPPING SCREW 4X18	3			
214		222208-8	PULLEY 17.5-33.6	2			
215		211333-0	BALL BEARING 6804LLU	2			
216		225109-9	SYNCHRO BELT 12-699	1			
216-1		225109-9	SYNCHRO BELT 12-699	1			
217		257A18-0	COLLARED SLEEVE 4A	1			
218		222209-6	ROUND PULLEY 6.2-45.7	1			
219		211166-3	BALL BEARING 698DDW	4			
220		265620-9	TAPPING SCREW FLANGE 4X18	2			
221		222207-0	PULLEY 17-26.0	2			
222		141V27-4	BODY COMPLETE	1			
	C10	8074F0-5	CAUTION LABEL	1			
223		265995-6	TAPPING SCREW 4X18	4			
224		251599-0	TAPPING SCREW 4X18	1			
225		265620-9	TAPPING SCREW FLANGE 4X18	2			
226		347B82-6	BRUSH PLATE L	1			
227		327C54-3	BRUSH SHAFT	2			
228		210069-8	BALL BEARING 6900DDW	2			
229		234245-0	COMPRESSION SPRING 12	2			
230		267047-9	FLAT WASHER 10	4			
231		257A21-1	SLEEVE 17	2			
232		961013-5	STOP RING E-7	2			
233		211485-7	BALL BEARING 6800LLU	2			
234		413U24-7	BEARING HOLDER L	2			

