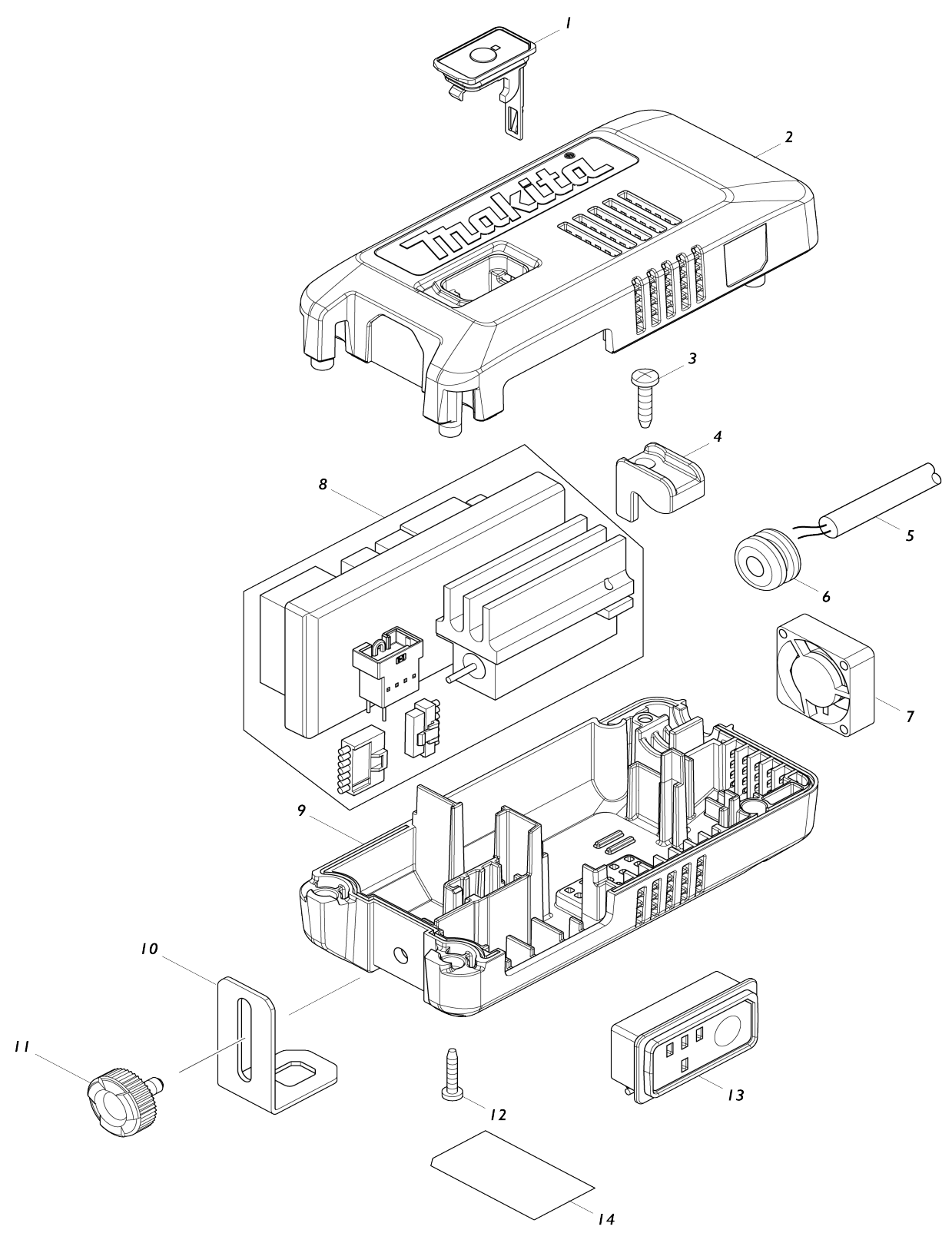


Model No.WUT02 WIRELESS UNIT ADAPTOR



Model No.WUT02 WIRELESS UNIT ADAPTOR

Item No.	Parts No.	Description	Interchangability	Q'ty	New/Old	Note1	Note2
001	140G30-2	CAP COMPLETE		1			
C10	213218-6	O RING 16		1			
C20	818H48-4	CAP LABEL		1			
002	140J51-2	UPPER HOUSING COMPLETE		1			
C10	818W22-2	CAUTION LABEL		1			
003	266326-2	TAPPING SCREW 4X18		1			
004	687260-7	STRAIN RELIEF		1			
005	695036-8	POWER SUPPLY CORD 1.0-2-0.9		1			
006	682577-3	GROMMET		1			
007	620A49-6	FAN CIRCUIT		1			
008	632N35-3	CONTROLLER UNIT		1			
009	459078-4	LOWER HOUSING		1			
010	347491-7	HOOK		1			
011	265785-7	THUMB SCREW M5X10		1			
012	266130-9	TAPPING SCREW BIND PT 3X16		4			
013	140J75-8	INDICATOR CIRCUIT COMPLETE		1			
C10	818W21-4	SWITCH LABEL		1			
014	855L64-9	WUT02 NAME PLATE		1			
A01	162565-1	BAND		1			
F01	199741-4	WIRELESS UNIT ADAPTOR SET		1			
F02	199757-9	WIRELESS UNIT ADAPTOR SET		1			
A02	198900-7	WIRELESS UNIT SET		1	*		
A02-1	198900-7	WIRELESS UNIT SET	<	1	*		
A02-2	198900-7	WIRELESS UNIT SET	<	1			
F01	199773-1	WIRELESS UNIT ADAPTOR SET		1			
F02	199789-6	WIRELESS UNIT ADAPTOR SET		1			

Please state Parts No. when your order.

Print Date 10/05/2023