

EN	Communication Connector	INSTRUCTION MANUAL	4
FR	Connecteur de communication	MANUEL D'INSTRUCTIONS	9
DE	Akku-Kommunikationsadapter	BETRIEBSANLEITUNG	14
IT	Connettore di comunicazione	ISTRUZIONI PER L'USO	19
NL	Communicatieconnector	GEBRUIKSAANWIJZING	24
ES	Conector de Comunicación	MANUAL DE INSTRUCCIONES	29
PT	Conector de Comunicação	MANUAL DE INSTRUÇÕES	34
DA	Kommunikationskonnektor	BRUGSANVISNING	39
EL	Συνδετική μονάδα για επικοινωνία	ΕΓΧΕΙΡΙΔΙΟ ΟΔΗΓΙΩΝ	44
TR	İletişim Bağlantı Aparatı	KULLANMA KILAVUZU	49
SV	Kommunikationsadapter	BRUKSANVISNING	54
NO	Kommunikasjonskobling	BRUKSANVISNING	59
FI	Tiedonsiirtoliitin	KÄYTTÖOHJE	64
LV	Komunikācijas adapteris	LIETOŠANAS INSTRUKCIJA	69
LT	Komunikacijos adapteris	NAUDOJIMO INSTRUKCIJA	74
ET	Teabevahetus adapter	KASUTUSJUHEND	79
PL	Moduł Komunikacyjny	INSTRUKCJA OBSŁUGI	84
HU	Kommunikációs csatlakozó	HASZNÁLATI KÉZIKÖNYV	89
SK	Komunikačný konektor	NÁVOD NA OBSLUHU	94
CS	Komunikační konektor	NÁVOD K OBSLUZE	99
SL	Komunikacijski priključek	NAVODILA ZA UPORABO	104
SQ	Bashkuesi i komunikimit	MANUALI I PËRDORIMIT	109
BG	Комуникационен конектор	РЪКОВОДСТВО ЗА ЕКСПЛОАТАЦИЯ	114
HR	Komunikacijski priključak	PRIRUČNIK S UPUTAMA	119
MK	Конектор за комуникација	УПАТСТВО ЗА УПОТРЕБА	124
SR	Прикључак за комуникацију	УПУТСТВО ЗА УПОТРЕБУ	129
RO	Conector de comunicație	MANUAL DE INSTRUCȚIUNI	134
UK	Комуникаційний адаптер	ІНСТРУКЦІЯ З ЕКСПЛУАТАЦІЇ	139
RU	Адаптер для сопряжения с цифровыми устройствами	РУКОВОДСТВО ПО ЭКСПЛУАТАЦИИ	144
KK	Цифрлы құрылғылармен байланыстыруға арналған адаптер	ПАЙДАЛАНУ ЖӨНІНДЕГІ НҰСҚАУЛЫҚ	150
ZHTW	通訊連接器	使用說明書	155





https://support.makita.biz/manual/adp/adp12/manual_index.html

Fig.1



https://support.makita.biz/app/adp/adp12/app_index.html

Fig.4

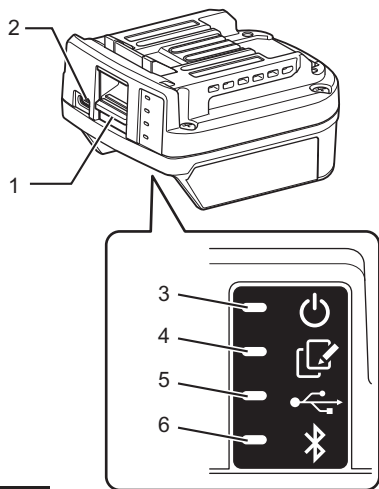


Fig.2

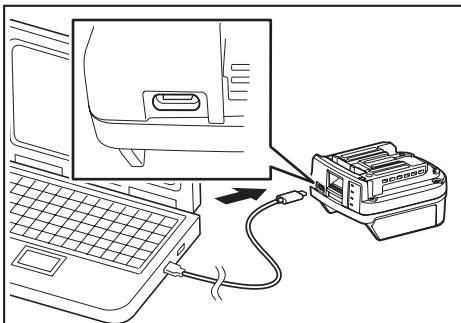


Fig.5

App Store

Google Play™



Fig.3

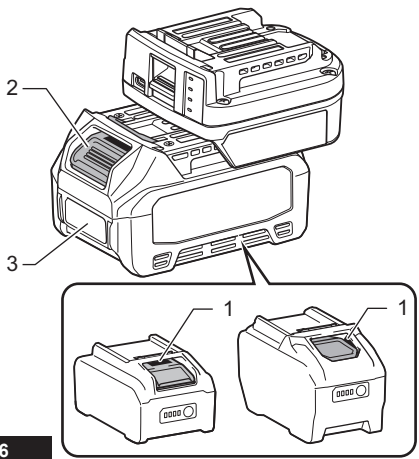


Fig.6

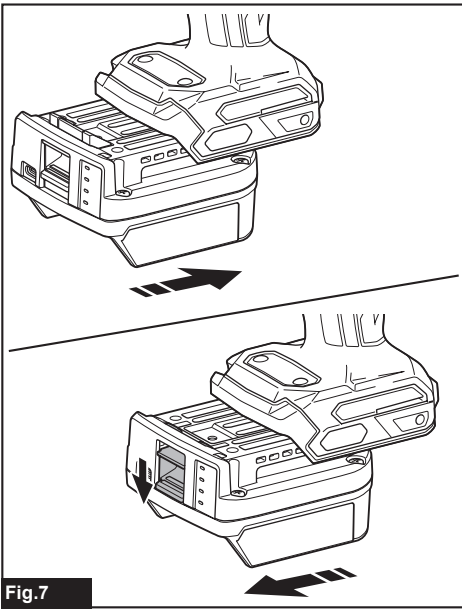


Fig.7

SPECIFICATIONS

Model:		ADP12
Applicable battery cartridge		BL4020 / BL4025 / BL4040 / BL4050F / BL4080F
Dimensions (L x W x H) (Without the battery and the tool)		98 mm x 85 mm x 55 mm
Net weight (Without the battery and the tool)		0.17 kg
Bluetooth	Bluetooth® version	5.1 (Bluetooth low energy)
	Transmission range	Approximately 10 m
	Frequency band	2,402 MHz - 2,480 MHz
	Maximum radio-frequency power	0.11 dBm (EIRP)

- Due to our continuing program of research and development, the specifications herein are subject to change without notice.
- Specifications may differ from country to country.
- Some of the battery cartridges listed above may not be available depending on your region of residence.

Applicable USB cable

Use a USB cable that matches the USB Type-C terminal.

We recommend a USB cable with a shield, USB-IF approval, and a length of up to about 1.8 m.

Applicable cord connected power source

Whether the cord connected power source is applicable or not depends on what the tool to be used with. Refer to the specification of the tool.

Notification about non-compatible tools

Some tools are not compatible with this connector. Please refer to the web manual in the figure for specific model numbers.

App web manual for ADP12

► Fig.1

Symbols

The followings show the symbols which may be used for the equipment. Be sure that you understand their meaning before use.



Read the instruction manual.



Indoor use only.



Only for EU countries

Due to the presence of hazardous components in the equipment, waste electrical and electronic equipment, accumulators and batteries may have a negative impact on the environment and human health.



Ni-MH
Li-ion

Do not dispose of electrical and electronic appliances or batteries with household waste! In accordance with the European Directive on waste electrical and electronic equipment and on accumulators and batteries and waste accumulators and batteries, as well as their adaptation to national law, waste electrical equipment, batteries and accumulators should be stored separately and delivered to a separate collection point for municipal waste, operating in accordance with the regulations on environmental protection.

This is indicated by the symbol of the crossed-out wheeled bin placed on the equipment.

Declarations of Conformity

For European countries only

The Declarations of conformity are included in Annex A to this instruction manual.

SAFETY WARNINGS

Before using this connector, read all instructions and cautionary markings on this connector, battery cartridge, and product using this connector.

Follow all safety warnings and instructions. Failure to follow the warnings and instructions may result in electric shock, fire and/or serious injury.

Work area safety

1. **Do not expose this connector to rain, snow, or wet condition.** Otherwise water may get into the connector and cause electric shock or short circuit.
2. **Do not operate this connector in explosive atmospheres, such as in the presence of flammable liquids, gases or dust.** Risk of explosion or fire.

Electrical safety

1. **Use a USB cable that matches the USB Type-C terminal. Do not modify the USB cable.** Otherwise malfunction may occur.
2. **Do not short the terminal. Keep the terminal away from other metal objects, like needles or wires, which can make a connection from one terminal to another.** Shorting the terminals together may cause burns or a fire.
3. **Use this connector only with specifically designated battery packs. Do not use the modified battery.** Use of any other battery packs may create a risk of injury and fire.

Service

1. **Have this connector serviced by a qualified repair person using only identical replacement parts.** This will ensure that the safety of this connector is maintained.
Do not disassemble or tamper with this connector. It may result in a fire, excessive heat, or explosion.
If you notice any abnormality in this connector, send it Makita Authorized or Factory Service Centers for inspection and repair.
If a person without repair knowledge and skills repairs this product, not only it will not perform sufficiently, but there is also the risk of an accident or injury.

Additional safety warnings

1. **Inspect for damaged parts. If any abnormality or malfunction occurs, stop using this connector immediately.** If you continue to use it, smoke/ fire, electric shock, and injury may occur.
<Examples of abnormalities/failures>
 - The cable or the terminal are abnormally hot.
 - There is deep scratches or deformation.
 - When touching the USB cable, conductors may or may not be energized.
 - It smells burnt.
 - There is an electrical sensation.

If you feel any trouble, immediately disconnect power source from the connector and contact Makita Authorized or Factory Service Centers for inspection and repair.

2. If you notice any abnormalities such as heat generation of the battery cartridge during use, immediately remove and stop using the battery cartridge. Continued use may cause smoke, fire, or explosion.
3. **Do not store and use this connector in locations where the temperature may reach or exceed 50 °C (122 °F).** Store in a dry place and out of the reach of children. There is a risk of an accident.
4. **Do not touch the terminals with wet hands.** Risk of electric shock.
5. **Do not drop this connector.** Risk of malfunction.

SAVE THESE INSTRUCTIONS – This manual contains important safety and operating instructions for this connector.

When lending this connector, always attach this instruction manual.

Safety warnings for radio waves

1. **Do not use this product near electronic devices with high-precision control and faint signals. (Examples of electronic devices that require caution: A hearing aid, a pacemaker, other medical equipment, a fire alarm, an automatic door, and other automatic control equipment).**
2. The radio wave of this product is not guaranteed in all environments. In the following cases, the radio wave may not reach or the radio wave may be interrupted.
 - When using this product in buildings where concrete, rebar, or metal is used.
 - When using this product near obstacles.
 - When this product is interfered with wireless communication devices that use the same frequency.
 - When using this product near the equipment such as microwave ovens that generates magnetic field, static electricity, or radio interference.

RESPECTIVE TRADEMARKS and REGISTERED TRADEMARKS



- The Bluetooth® word mark and logos are registered trademarks owned by the Bluetooth SIG, Inc. and any use of such marks by Makita is under license. Other trademarks and trade names are those of their respective owners.
- Android and Google Play are trademarks or registered trademarks of Google LLC.
- iPhone is a trademark of Apple Inc., registered in the U.S. and other countries.
- The iPhone trademark is used under license from Aiphone Co., Ltd.
- App Store is a service mark of Apple Inc.
- All other trademarks in this document are the property of their respective owners. Note that ™ and ® marks are omitted in some of the main text.

PARTS DESCRIPTION

► Fig.2

1. **Button**
2. **USB port**
For communication with a PC. Cannot be used for charging USB devices.
3. **Status**

Lamp	Status
Off	Power source (battery cartridge/USB) is not connected to this connector.
Lighted in green	Power source is connected to this connector.
Blinking in red	Data reading/loading error

4. **Mode**
Refer to the app web manual for details of each mode.

Lamp	Mode
Off	Communication (Comm) Mode
Lighted in red	Stand-alone Mode (Battery)
Lighted in green	Stand-alone Mode (Tool)

5. USB connection

Lamp	USB connection
Off	PC app is not connected to this connector.
Lighted in green	PC app is connected to this connector.
Blinking in green (fast)	Communicating with PC app

6. Bluetooth connection

Lamp	Bluetooth connection
Off	Radio wave is not generated.
Lighted in blue	Connection is established.
Blinking in blue	Radio wave is generated. (Connection is not established.)
Blinking in blue (fast)	Communicating with smartphone app

WHAT YOU CAN DO WITH ADP12

For details on how to use the app, refer to the app web manual for ADP12. (Refer to Fig.1.)

Features

- **Anti-theft setting (PIN code)**
You can set the PIN code for each tool and battery cartridge. Only the combination of the tool and battery cartridge with matching PINs can be operated.
- **Battery timer setting**
An expiration time/date can be set to battery cartridges according to a construction schedule so that the cartridges are not usable after the construction is finished.
- **Service assistance**
 - **Tool checker**
Tool status and operation history can be displayed.
 - **Battery checker**
Battery status and operation history can be displayed.
 - **Notepad registration**
You can register characters in the tool and battery cartridge (the number of characters that can be registered depends on the model). It is used for tool management and maintenance history.

NOTE: Some features are not available depending on the tool.

NOTE: In the tool checker, the number of operation history may be displayed even with the brand new tool due to the inspections in factory, etc.

PRIOR TO USE

Installing the app

- The app is free, but a separate communication fee may be charged when downloading.
- The app is exclusively for Makita products.
- Please use the app after agreeing to the latest version of the application terms of use. At the first startup or installing the app, the terms of use screen will be displayed.
- The application screen may be changed or unavailable without notice due to future updates.

For smartphones/tablets

Preparation in advance

A smartphone/tablet (iOS or Android) is necessary to use the app.

- iOS (iPhone): iOS 13 or later is required.
- Android: Android Version 9.0 or later is required. With some exceptions, Android devices need to allow location information to be used for Bluetooth connections.

Installing the app

1. Search for "Makita Tool Management" on App Store or Google Play. You can also access from the QR code in the following figure.

Smartphone app download site

► Fig.3

2. Install the app. A "Makita Tool Management" icon will be created on the home screen.

For PCs

System requirements

The PC must satisfy the following requirements to use the app.

- OS: Windows 10, or Windows 11

Installing the app

1. Access the URL shown in the following figure.

PC app download site

► Fig.4

2. Download "MakitaToolManagementSetup_EN_v1020.exe" and install the app.

Connecting the PC

Before starting the app, connect this connector to the PC.

► Fig.5

NOTICE: Do not disconnect the USB cable while the USB connection lamp of this connector is flashing.

Installing the battery cartridge/tool

Optional accessory

Before starting up the app, install the battery cartridge and the tool to this connector.

Installing or removing battery cartridge

CAUTION: Always install the battery cartridge fully until the red indicator cannot be seen. If not, it may accidentally fall out of this connector, causing injury to you or someone around you.

CAUTION: Be careful not to pinch your finger between the battery cartridge and the terminals.

NOTICE: Charge the battery cartridge before use. The battery cartridge that has no remaining capacity cannot be used.

NOTICE: When removing the battery cartridge, make sure that the installed tool is completely stopped and there is no communication with the app. Otherwise malfunction may occur.

To install the battery cartridge, align the tongue on the battery cartridge with the groove in the housing and slip it into place. Insert it all the way until it locks in place with a little click. If you can see the red indicator as shown in the figure, it is not locked completely. To remove the battery cartridge, slide it from this connector while sliding the button on the front of the cartridge.

► Fig.6: 1. Red indicator 2. Button 3. Battery cartridge

Installing or removing tool

CAUTION: Do not put your finger on the switch of the tool. Otherwise unintentional starting may cause and injury result.

NOTICE: When installing or removing the tool, make sure that the installed tool is completely stopped. Otherwise malfunction may occur.

NOTICE: When removing the tool, make sure that there is no communication with the app. Otherwise malfunction may occur.

NOTE: The tool does not drive with this connector attached.

To install the tool, align the tongue on this connector with the groove in the housing and slip it into place. Insert it all the way until it locks in place with a little click. To remove the tool, slide it from this connector while sliding the button on the front of this connector.

► Fig.7

TROUBLESHOOTING

Before asking for repairs, check the following points.

State of abnormality	Probable cause (malfunction)	Remedy
The connector cannot turn on. The lamp of status does not light.	The remaining battery capacity is low.	Charge the battery cartridge.
	Battery cartridge is installed improperly.	Remove the battery cartridge once. Re-install the battery cartridge as described in this manual.
The status lamp blinks in red.	The tool is installed improperly.	Remove the tool once. Re-install the tool as described in this manual.
	Battery cartridge is installed improperly.	Remove the battery cartridge once. Re-install the battery cartridge as described in this manual.
The connector cannot establish the connection with the smartphone/tablet.	The signal is weak.	Put the smartphone/tablet closer to the connector.
	Bluetooth connection of the smartphone/tablet is disabled.	Activate the Bluetooth connection of the smartphone/tablet.
The USB connection with PC does not work.	The USB cable is not plugged in properly.	Make sure that the USB cable is plugged into the USB port firmly.
	The cable is broken.	Use another USB cable.
	The USB cable is out of specification.	Use the USB cable which is specified in this manual. Refer to the section for specifications.

If the trouble cannot be solved even after taking the above measures, the connector may be defective. Please contact Makita Authorized Service Centers.

MAINTENANCE

⚠ CAUTION: Always be sure that the tool is switched off and the battery cartridge is removed before attempting to perform inspection or maintenance.

NOTICE: Do not wash the connector with water. Risk of malfunction.

NOTICE: From time to time wipe off the outside of this connector using a cloth dampened in soapy water.

NOTICE: Never use gasoline, benzine, thinner, alcohol or the like. Discoloration, deformation or cracks may result.

To maintain product SAFETY and RELIABILITY, repairs, any other maintenance or adjustment should be performed by Makita Authorized or Factory Service Centers, always using Makita replacement parts.

SPÉCIFICATIONS

Modèle :		ADP12
Batterie applicable		BL4020 / BL4025 / BL4040 / BL4050F / BL4080F
Dimensions (L x P x H) (Sans batterie et outil)		98 mm x 85 mm x 55 mm
Poids net (Sans batterie et outil)		0,17 kg
Bluetooth	Version Bluetooth®	5,1 (Bluetooth Low Energy)
	Plage de transmission	Environ 10 m
	Bande de fréquence	2 402 MHz - 2 480 MHz
	Puissance de radio fréquence maximale	0,11 dBm (PIRE)

- Étant donné l'évolution constante de notre programme de recherche et de développement, les spécifications contenues dans ce manuel sont sujettes à modification sans préavis.
- Les spécifications peuvent varier suivant les pays.
- Certaines batteries répertoriées ci-dessus peuvent ne pas être disponibles selon la région où vous résidez.

Câble USB applicable

Utilisez un câble USB correspondant à la borne USB de type C.

Nous vous recommandons d'utiliser un câble USB avec blindage, l'approbation USB-IF et une longueur maximale d'environ 1,8 m.

Source d'alimentation connectée par cordon applicable

Que la source d'alimentation connectée par le cordon soit applicable ou non dépend de l'utilisation de l'outil. Reportez-vous aux spécifications de l'outil.

Notification sur les outils non compatibles

Certains outils ne sont pas compatibles avec ce connecteur. Veuillez vous reporter au manuel en ligne illustré ci-dessous pour connaître les numéros de modèle spécifiques.

Manuel de l'application en ligne pour ADP12

► Fig.1

Symboles

Vous trouverez ci-dessous les symboles susceptibles d'être utilisés pour l'appareil. Veuillez à comprendre leur signification avant toute utilisation.



Lire le mode d'emploi.



Utilisation à l'intérieur uniquement.



Ni-MH
Li-ion

Pour les pays de l'Union européenne uniquement

En raison de la présence de composants dangereux dans l'équipement, les déchets d'équipements électriques et électroniques, les accumulateurs et les batteries peuvent avoir un impact négatif sur l'environnement et la santé humaine.

Ne jetez pas les appareils électriques et électroniques ou les batteries avec les ordures ménagères !

Conformément à la directive européenne relative aux déchets d'équipements électriques et électroniques et aux déchets d'accumulateurs et de batteries, ainsi qu'à son adaptation à la législation nationale, les déchets d'équipements électriques, les batteries et les accumulateurs doivent être collectés séparément et déposés dans un point de collecte distinct pour déchets urbains, conformément aux réglementations en matière de protection de l'environnement.

Cela est indiqué par le symbole de la poubelle à roulettes barrée sur l'équipement.

Déclarations de conformité

Pour les pays européens uniquement

Les déclarations de conformité sont fournies en Annexe A à ce mode d'emploi.

CONSIGNES DE SÉCURITÉ

Avant d'utiliser ce connecteur, lisez toutes les instructions et avertissements sur ce connecteur, la batterie et le produit utilisant ce connecteur. Respectez toutes les consignes de sécurité et instructions. Il y a risque d'électrocution, d'incendie et/ou de graves blessures si les mises en garde et les instructions ne sont pas respectées.

Sécurité de l'aire de travail

1. **N'exposez pas ce connecteur à la pluie, à la neige ou à un environnement humide.** Autrement, de l'eau pourrait pénétrer dans le connecteur et provoquer une électrocution ou un court-circuit.
2. **N'utilisez pas ce connecteur dans un environnement explosif, par exemple en présence de liquides, gaz ou poussières inflammables.** Risque d'explosion ou d'incendie.

Sécurité électrique

1. **Utilisez un câble USB correspondant à la borne USB de type C. Ne modifiez pas le câble USB.** Autrement, un dysfonctionnement pourrait survenir.
2. **Ne court-circuitez pas la borne. Éloignez la borne des autres objets métalliques, tels que les aiguilles ou les fils électriques, qui peuvent établir une connexion entre une borne et une autre.** Court-circuiter les bornes entre elles peut provoquer des brûlures ou un incendie.
3. **Utilisez ce connecteur uniquement avec la batterie spécifiquement indiquée. N'utilisez pas la batterie si elle a été modifiée.** L'utilisation de toute autre batterie peut présenter un risque de blessure et d'incendie.

Dépannage

1. **Confiez la réparation de ce connecteur à un réparateur qualifié qui utilise uniquement des pièces de rechange identiques.** La sécurité du connecteur sera ainsi préservée.
Ne démontez ni ne modifiez ce connecteur. Cela pourrait entraîner un incendie, une chaleur excessive ou une explosion.
Si vous remarquez une anomalie sur ce connecteur, confiez-le à un centre de service après-vente agréé Makita ou à un centre de service d'usine pour inspection et réparation. Si une personne sans connaissances et compétences en réparation répare ce produit, non seulement ses performances seront insuffisantes, mais il existe également un risque d'accident ou de blessure.

Consignes de sécurité supplémentaires

1. **Inspectez les pièces endommagées. En cas d'anomalie ou de dysfonctionnement, cessez immédiatement d'utiliser ce connecteur.** Si vous continuez à l'utiliser, de la fumée ou un incendie, une électrocution et des blessures peuvent se produire.
<Exemples d'anomalies ou de défaillances>
 - Le câble ou la borne sont anormalement chauds.
 - Il y a des rayures profondes ou une déformation.
 - Lorsque vous touchez le câble USB, les conducteurs peuvent ou non être sous tension.
 - Il y a une odeur de brûlé.
 - Il y a une sensation électrique.

En cas de problème, débranchez immédiatement la source d'alimentation du connecteur et contactez un centre de service après-vente agréé Makita ou un centre de service d'usine pour inspection et réparation.

2. **Si vous remarquez des anomalies comme une génération de chaleur dans la batterie pendant l'utilisation, retirez immédiatement la batterie et cessez de l'utiliser.** Continuer à l'utiliser peut provoquer de la fumée, un incendie ou une explosion.
3. **Ne rangez ni n'utilisez ce connecteur dans un endroit où la température risque d'atteindre ou de dépasser 50 °C.** Rangez-le dans un endroit sec hors de la portée des enfants. Il y a un risque d'accident.
4. **Ne touchez pas les bornes avec les mains humides.** Risque d'électrocution.
5. **Ne laissez pas tomber ce connecteur.** Risque de dysfonctionnement.

CONSERVEZ CES INSTRUCTIONS - Ce manuel contient des consignes de sécurité et des instructions de fonctionnement importantes pour le connecteur.

Lorsque vous prêtez ce connecteur, joignez toujours ce manuel d'instructions.

Consignes de sécurité pour les ondes radio

1. **N'utilisez pas ce produit à proximité d'appareils électroniques dotés d'un contrôle de grande précision et de signaux faibles. (Exemples d'appareils électroniques nécessitant une attention particulière : une prothèse auditive, un stimulateur cardiaque, un autre équipement médical, une alarme incendie, une porte automatique et d'autres équipements de commande automatique).**
2. L'onde radio de ce produit n'est pas garantie dans tous les environnements. Dans les cas suivants, l'onde radio peut ne pas être reçue ou être interrompue.
 - Lors de l'utilisation de ce produit dans des bâtiments où du béton, des barres d'armature ou du métal sont utilisés.
 - Lors de l'utilisation de ce produit à proximité d'obstacles.

- Lorsque ce produit subit des interférences de périphériques de communication sans fil utilisant la même fréquence.
- Lors de l'utilisation de ce produit à proximité d'équipements tels que des fours à micro-ondes générant un champ magnétique, de l'électricité statique ou des interférences radio.

MARQUES COMMERCIALES et MARQUES DÉPOSÉES RESPECTIVES



- La marque verbale et les logos Bluetooth® sont des marques déposées détenues par Bluetooth SIG, Inc., et toute utilisation de ces marques par Makita fait l'objet d'une licence. Les autres marques commerciales et noms commerciaux appartiennent à leurs propriétaires respectifs.
- Android et Google Play sont des marques commerciales ou des marques déposées de Google LLC.
- iPhone est une marque commerciale d'Apple Inc., déposée aux États-Unis et dans d'autres pays.
- La marque iPhone est utilisée sous licence de Aiphone Co., Ltd.
- App Store est une marque de service d'Apple Inc.
- Toutes les autres marques commerciales mentionnées dans ce document appartiennent à leurs propriétaires respectifs. Notez que les symboles ™ et ® sont omis dans certaines parties du texte principal.

DESCRIPTION DES PIÈCES

► Fig.2

- Bouton**
- Port USB**
Pour la communication avec un ordinateur. Ne peut pas être utilisé pour charger des périphériques USB.
- État**

Témoin	État
Éteint	La source d'alimentation (batterie/USB) n'est pas connectée à ce connecteur.
Allumé en vert	La source d'alimentation est connectée à ce connecteur.
Clignote en rouge	Erreur de lecture/chargement des données

- Mode**
Reportez-vous au manuel de l'application en ligne pour en savoir plus sur chaque mode.

Témoin	Mode
Éteint	Mode de communication (Comm)
Allumé en rouge	Mode autonome (Batterie)
Allumé en vert	Mode autonome (Outil)

5. Connexion USB

Témoin	Connexion USB
Éteint	L'application sur l'ordinateur n'est pas connectée à ce connecteur.
Allumé en vert	L'application sur l'ordinateur est connectée à ce connecteur.
Clignotement vert (rapide)	Communication avec l'application sur l'ordinateur

6. Connexion Bluetooth

Témoin	Connexion Bluetooth
Éteint	Aucune onde radio n'est générée.
Allumé en bleu	La connexion est établie.
Clignote en bleu	Une onde radio est générée. (La connexion n'est pas établie.)
Clignotement bleu (rapide)	Communication avec l'application pour smartphone

CE QUE VOUS POUVEZ FAIRE AVEC ADP12

Pour savoir comment utiliser l'application, reportez-vous au manuel de l'application en ligne pour ADP12. (Reportez-vous à la Fig.1.)

Fonctionnalités

- **Paramètre antivol (code PIN)**
Vous pouvez définir le code PIN pour chaque outil et chaque batterie. Seule la combinaison de l'outil et de la batterie avec des PIN correspondants peut être utilisée.
- **Réglage de la minuterie de la batterie**
Vous pouvez régler une date/heure d'expiration sur la batterie en fonction du calendrier de construction et la désactiver une fois la construction terminée.
- **Assistance technique**
 - **Contrôleur d'outil**
L'état de l'outil et l'historique des opérations peuvent être affichés.

- **Contrôleur de batterie**
L'état de la batterie et l'historique des opérations peuvent être affichés.
- **Enregistrement de notes**
Vous pouvez enregistrer des caractères dans l'outil et la batterie (le nombre de caractères pouvant être enregistrés dépend du modèle). Cela sert pour la gestion des outils et l'historique de maintenance.

NOTE : Certaines fonctionnalités ne sont pas disponibles selon l'outil.

NOTE : Dans le contrôleur d'outil, l'historique des opérations peut s'afficher même avec un tout nouvel outil en raison des inspections en usine, etc.

AVANT UTILISATION

Installation de l'application

- L'application est gratuite, mais des frais de communication distincts peuvent être facturés lors du téléchargement.
- L'application est exclusivement destinée aux produits Makita.
- Veuillez utiliser l'application après avoir accepté la dernière version des conditions d'utilisation de l'application. Lors du premier démarrage ou de l'installation de l'application, l'écran des conditions d'utilisation s'affiche.
- L'écran de l'application pourrait être modifié ou indisponible sans préavis en raison de mises à jour ultérieures.

Pour smartphones/tablettes

Préparatifs

Un smartphone/tablette (iOS ou Android) est nécessaire pour utiliser l'application.

- iOS (iPhone) : iOS 13 ou une version ultérieure est nécessaire.
- Android : La version Android 9,0 ou ultérieure est nécessaire.
À quelques exceptions près, les appareils Android doivent autoriser l'utilisation des informations de localisation pour les connexions Bluetooth.

Installation de l'application

1. Recherchez « Makita Tool Management » sur l'App Store ou dans Google Play. Vous pouvez également y accéder à partir du code QR illustré ci-dessous.

Site de téléchargement d'applications pour smartphone
► Fig.3

2. Installez l'application. Une icône « Makita Tool Management » sera créée sur l'écran d'accueil.

Pour ordinateurs

Configuration système requise

L'ordinateur doit satisfaire les exigences suivantes pour pouvoir utiliser l'application.

- Système d'exploitation : Windows 10 ou Windows 11

Installation de l'application

1. Accédez à l'URL illustrée ci-dessous.

Site de téléchargement d'applications pour ordinateur

► Fig.4

2. Téléchargez « MakitaToolManagementSetup_EN_v1020.exe » et installez l'application.

Connexion de l'ordinateur

Avant de démarrer l'application, connectez ce connecteur à l'ordinateur.

► Fig.5

REMARQUE : Ne débranchez pas le câble USB pendant que le voyant de connexion USB de ce connecteur clignote.

Installation de la batterie ou de l'outil

Accessoire en option

Avant de démarrer l'application, installez la batterie et l'outil sur ce connecteur.

Insertion ou retrait de la batterie

ATTENTION : Insérez toujours complètement la batterie jusqu'à ce que l'indicateur rouge ne soit plus visible. Sinon, elle pourrait tomber accidentellement du connecteur au risque de vous blesser ou de blesser quelqu'un se trouvant à proximité.

ATTENTION : Veillez à ne pas vous pincer les doigts entre la batterie et les bornes.

REMARQUE : Chargez la batterie avant utilisation. Une batterie déchargée ne peut pas être utilisée.

REMARQUE : Lorsque vous retirez la batterie, assurez-vous que l'outil installé est complètement arrêté et qu'il n'y a pas de communication avec l'application. Autrement, un dysfonctionnement pourrait survenir.

Pour mettre la batterie en place, alignez la languette de la batterie avec la rainure du compartiment puis insérez la batterie. Insérez-la à fond jusqu'à ce qu'un léger déclic se fasse entendre. Si vous pouvez voir l'indicateur rouge comme illustré sur la figure, c'est qu'elle n'est pas bien verrouillée.

Pour retirer la batterie, faites-la glisser hors du connecteur tout en faisant glisser le bouton à l'avant de la batterie.

► Fig.6: 1. Indicateur rouge 2. Bouton 3. Batterie

Pose ou retrait de l'outil

ATTENTION : Ne placez pas votre doigt sur le commutateur de l'outil. Autrement, un démarrage intempestif pourrait provoquer des blessures.

REMARQUE : Lors de l'installation ou du retrait de l'outil, assurez-vous que l'outil installé est complètement arrêté. Autrement, un dysfonctionnement pourrait survenir.

REMARQUE : Lorsque vous retirez l'outil, assurez-vous qu'il n'y a pas de communication avec l'application. Autrement, un dysfonctionnement pourrait survenir.

NOTE : L'outil ne se met pas en marche avec ce connecteur branché.

Pour installer l'outil, alignez la languette sur ce connecteur avec la rainure sur le compartiment et insérez-le. Insérez-le à fond jusqu'à ce qu'un léger dé clic se fasse entendre. Pour retirer l'outil, faites-le glisser hors du connecteur tout en faisant glisser le bouton à l'avant du connecteur.
► Fig.7

GUIDE DE DÉPANNAGE

Avant de solliciter une réparation, vérifiez les points suivants.

État d'anomalie	Cause probable (dysfonctionnement)	Solution
Le connecteur ne peut pas s'allumer. Le voyant d'état ne s'allume pas.	La capacité restante de la batterie est faible.	Chargez la batterie.
	La batterie est mal installée.	Retirez la batterie une fois. Suivez les instructions de ce mode d'emploi pour réinstaller la batterie.
Le voyant d'état clignote en rouge.	L'outil n'est pas bien installé.	Retirez l'outil une fois. Réinstallez l'outil comme décrit dans ce manuel.
	La batterie est mal installée.	Retirez la batterie une fois. Suivez les instructions de ce mode d'emploi pour réinstaller la batterie.
Le connecteur ne peut pas établir la connexion avec le smartphone/la tablette.	Le signal est faible.	Rapprochez le smartphone/la tablette du connecteur.
	La connexion Bluetooth du smartphone/de la tablette est désactivée.	Activez la connexion Bluetooth du smartphone/de la tablette.
La connexion USB avec l'ordinateur ne fonctionne pas.	Le câble USB n'est pas branché correctement.	Assurez-vous que le câble USB est correctement branché dans le port USB.
	Le câble est cassé.	Utilisez un autre câble USB.
	Le câble USB n'est pas conforme aux spécifications.	Utilisez le câble USB spécifié dans ce manuel. Reportez-vous à la section des spécifications.

Si le problème ne peut pas être résolu même après avoir pris les mesures ci-dessus, le connecteur est peut-être défectueux. Veuillez contacter un centre de service après-vente agréé Makita.

ENTRETIEN

ATTENTION : Assurez-vous toujours que l'outil est hors tension et que la batterie est retirée avant d'y effectuer tout travail d'inspection ou d'entretien.

REMARQUE : Ne lavez pas le connecteur à l'eau. Risque de dysfonctionnement.

REMARQUE : Essayez de temps à autre la surface extérieure de ce connecteur à l'aide d'un chiffon trempé dans de l'eau savonneuse.

REMARQUE : N'utilisez jamais d'essence, benzine, diluant, alcool ou autre produit similaire. Cela risquerait de provoquer la décoloration, la déformation ou la fissuration de l'outil.

Pour assurer la SÉCURITÉ et la FIABILITÉ du produit, toute réparation, tout travail d'entretien ou de réglage doivent être effectués par un centre d'entretien Makita agréé, avec des pièces de rechange Makita.

Informations spécifiques au pays

Uniquement En France



Points de collecte sur www.quefairedemesdechets.fr

TECHNISCHE DATEN

Modell:		ADP12
Zutreffende Akkus		BL4020 / BL4025 / BL4040 / BL4050F / BL4080F
Abmessungen (L x B x H) (Ohne Akku und Werkzeug)		98 mm x 85 mm x 55 mm
Nettogewicht (Ohne Akku und Werkzeug)		0,17 kg
Bluetooth	Bluetooth®-Version	5,1 (Bluetooth Low Energy)
	Übertragungsreichweite	Ca. 10 m
	Frequenzband	2.402 MHz - 2.480 MHz
	Maximale Hochfrequenzleistung	0,11 dBm (EIRP)

- Wir behalten uns vor, Änderungen der technischen Daten im Zuge der Entwicklung und des technischen Fortschritts ohne vorherige Ankündigung vorzunehmen.
- Die technischen Daten können von Land zu Land unterschiedlich sein.
- Einige der oben aufgelisteten Akkus sind je nach Ihrem Wohngebiet eventuell nicht erhältlich.

Geeignetes USB-Kabel

Verwenden Sie ein USB-Kabel, das zum USB-Typ-C-Anschluss passt.

Wir empfehlen ein USB-Kabel mit einer Abschirmung, USB-IF-Zulassung und einer Länge von bis zu ca. 1,8 m.

Zutreffende kabelgebundene Stromquelle

Ob die kabelgebundene Stromquelle anwendbar ist oder nicht, hängt von dem Werkzeug ab, das verwendet werden soll. Beachten Sie die Spezifikation des Werkzeugs.

Hinweis auf nicht kompatible Werkzeuge

Einige Werkzeuge sind mit diesem Verbinder nicht kompatibel. Die genauen Modellnummern entnehmen Sie bitte dem Web-Handbuch in der Abbildung.

App-Web-Handbuch für ADP12

► Abb.1

Symbole

Nachfolgend werden Symbole beschrieben, die für das Gerät verwendet werden können. Machen Sie sich unbedingt vor der Benutzung mit ihrer Bedeutung vertraut.



Betriebsanleitung lesen.



Nur für Inneneinsatz.



Nur für EU-Länder
Aufgrund des Vorhandenseins gefährlicher Komponenten in der Ausrüstung können Elektro- und Elektronik-Altgeräte, Akkumulatoren und Batterien sich negativ auf die Umwelt und die menschliche Gesundheit auswirken. Entsorgen Sie Elektro- und Elektronikgeräte oder Batterien nicht mit dem Hausmüll!

In Übereinstimmung mit der Europäischen Richtlinie über Elektro- und Elektronik-Altgeräte, Akkumulatoren und Batterien, verbrauchte Akkumulatoren und Batterien sowie ihrer Anpassung an nationales Recht sollten Elektro-Altgeräte, Batterien und Akkumulatoren gemäß den Umweltschutzbestimmungen getrennt gelagert und zu einer getrennten Sammelstelle für Siedlungsabfälle geliefert werden.

Dies wird durch das am Gerät angebrachte Symbol der durchgestrichenen Abfalltonne auf Rädern angezeigt.

Konformitätserklärungen

Nur für europäische Länder

Die Konformitätserklärungen sind in Anhang A dieser Betriebsanleitung enthalten.

SICHERHEITSWARNUNGEN

Lesen Sie vor der Benutzung dieses Verbinders alle Anweisungen und Vorsichtsmarkierungen auf diesem Verbinder, dem Akku und dem Produkt, das diesen Verbinder verwendet.

Befolgen Sie alle Sicherheitswarnungen und Anweisungen. Eine Missachtung der Warnungen und Anweisungen kann zu einem elektrischen Schlag, Brand und/oder schweren Verletzungen führen.

Sicherheit im Arbeitsbereich

1. **Setzen Sie diesen Verbinder nicht Regen, Schnee oder Nässe aus.** Anderenfalls kann Wasser in den Verbinder eindringen und einen Stromschlag oder Kurzschluss verursachen.
2. **Betreiben Sie diesen Verbinder nicht in explosionsgefährdeten Umgebungen, z. B. in Gegenwart von brennbaren Flüssigkeiten, Gasen oder Staub.** Es besteht Explosions- und Brandgefahr.

Elektrische Sicherheit

1. **Verwenden Sie ein USB-Kabel, das zum USB-Typ-C-Anschluss passt. Das USB-Kabel darf nicht verändert werden.** Anderenfalls kann es zu Fehlfunktionen kommen.
2. **Der Anschluss darf nicht kurzgeschlossen werden. Halten Sie den Anschluss von anderen metallischen Objekten wie Nadeln oder Drähten fern, die eine Verbindung von einem Anschluss zum anderen herstellen können.** Das Kurzschließen der Anschlüsse kann Verbrennungen oder einen Brand verursachen.
3. **Verwenden Sie diesen Verbinder nur mit speziell dafür vorgesehenen Akkus. Verwenden Sie keinen modifizierten Akku.** Bei Verwendung irgendwelcher anderer Akkus besteht Verletzungs- und Brandgefahr.

Wartung

1. **Lassen Sie diesen Verbinder von einem qualifizierten Techniker warten, der nur identische Ersatzteile verwendet.** Dadurch wird sichergestellt, dass die Sicherheit dieses Verbinders erhalten bleibt.
Unterlassen Sie das Zerlegen oder Manipulieren dieses Verbinders. Es kann sonst zu einem Brand, übermäßiger Hitzeentwicklung oder einer Explosion kommen.
Falls Sie irgendwelche Anomalien an diesem Verbinder feststellen, schicken Sie ihn zur Überprüfung und Reparatur an ein autorisiertes Makita- oder Werks-Servicecenter.
Falls eine Person ohne Reparaturkenntnisse und -fähigkeiten dieses Produkt repariert, wird es nicht nur nicht ausreichend funktionieren, sondern es besteht auch die Gefahr eines Unfalls oder einer Verletzung.

Zusätzliche Sicherheitswarnungen

1. **Auf beschädigte Teile untersuchen. Falls eine Anomalie oder Fehlfunktion auftritt, hören Sie sofort mit der Benutzung dieses Verbinders auf.** Falls Sie ihn weiter benutzen, kann es zu Rauch/Brand, Stromschlag und Verletzungen kommen.
<Beispiele für Anomalien/Mängel>
 - Das Kabel oder der Anschluss ist ungewöhnlich heiß.
 - Es gibt tiefe Kratzer oder Verformungen.
 - Beim Berühren des USB-Kabels können die Leiter unter Spannung stehen oder nicht.
 - Es riecht verbrannt.
 - Es gibt ein elektrisches Gefühl.

Falls Sie ein Problem bemerken, trennen Sie sofort die Stromquelle vom Verbinder und wenden Sie sich zur Überprüfung und Reparatur an ein autorisiertes Makita- oder Werks-Servicecenter.

2. **Falls Sie während der Benutzung Anomalien wie z. B. Wärmeentwicklung des Akkus feststellen, nehmen Sie den Akku sofort heraus, und stellen Sie seine Benutzung ein.** Die weitere Benutzung kann Rauch, Feuer oder eine Explosion verursachen.
3. **Lagern und benutzen Sie diesen Verbinder nicht an Orten, an denen die Temperatur 50 °C erreichen oder überschreiten kann. Bewahren Sie ihn an einem trockenen Ort und außerhalb der Reichweite von Kindern auf.** Es besteht Unfallgefahr.
4. **Berühren Sie die Anschlüsse nicht mit nassen Händen.** Es besteht Stromschlaggefahr.
5. **Lassen Sie diesen Verbinder nicht fallen.** Es besteht ein Risiko von Fehlfunktionen.

DIESE ANWEISUNGEN AUFBEWAHREN – Diese Anleitung enthält wichtige Sicherheits- und Betriebsanweisungen für diesen Verbinder. Legen Sie beim Ausleihen dieses Verbinders immer diese Betriebsanleitung bei.

Sicherheitswarnungen für Funkwellen

1. **Benutzen Sie dieses Produkt nicht in der Nähe von elektronischen Geräten mit hochpräziser Steuerung und schwachen Signalen. (Beispiele für elektronische Geräte, bei denen Vorsicht geboten ist: Ein Hörgerät, ein Herzschrittmacher, andere medizinische Geräte, ein Brandmelder, eine automatische Tür und andere automatische Steuergeräte).**
2. Die Funkwellenleistung dieses Produkts ist nicht in allen Umgebungen garantiert. In den folgenden Fällen kann es vorkommen, dass die Funkwelle nicht ankommt oder unterbrochen wird.
 - Wenn Sie dieses Produkt in Gebäuden benutzen, in denen Beton, Armierungseisen oder Metall verwendet wird.
 - Wenn Sie dieses Produkt in der Nähe von Hindernissen benutzen.
 - Wenn dieses Produkt durch drahtlose Kommunikationsgeräte gestört wird, die dieselbe Frequenz benutzen.
 - Wenn dieses Produkt in der Nähe von Geräten wie Mikrowellenöfen benutzt wird, die Magnetfelder, statische Elektrizität oder Funkstörungen erzeugen.

RESPEKTIVE MARKENZEICHEN und EINGETRAGENE MARKENZEICHEN



- Die Bluetooth®-Wortmarke und -Logos sind eingetragene Markenzeichen im Besitz von Bluetooth SIG, Inc., und jeglicher Gebrauch solcher Zeichen durch Makita erfolgt unter Lizenz. Andere Markenzeichen und Markennamen sind diejenigen ihrer entsprechenden Eigentümer.
- Android und Google Play sind Markenzeichen oder eingetragene Markenzeichen von Google LLC.
- iPhone ist ein in den USA und anderen Ländern eingetragenes Markenzeichen von Apple Inc.
- Das iPhone-Markenzeichen wird unter Lizenz von Aiphone Co., Ltd. benutzt.
- App Store ist eine Dienstleistungsmarke von Apple Inc.
- Alle anderen Markenzeichen in diesem Dokument sind das Eigentum ihrer jeweiligen Inhaber. Beachten Sie, dass die Markierungen ™ und ® in einigen Teilen des Haupttextes weggelassen wurden.

BEZEICHNUNG DER TEILE

► Abb.2

1. **Taste**
2. **USB-Anschluss**
Für Kommunikation mit einem PC. Kann nicht zum Aufladen von USB-Geräten verwendet werden.
3. **Status**

Lampe	Status
Aus	Es ist keine Stromquelle (Akku/USB) an diesen Verbinder angeschlossen.
Leuchtet in Grün	Eine Stromquelle ist an diesen Verbinder angeschlossen.
Blinkt in Rot	Fehler beim Lesen/Laden von Daten

4. **Modus**
Einzelheiten zu den einzelnen Modi finden Sie im Web-Handbuch der App.

Lampe	Modus
Aus	Kommunikations (Comm)-Modus
Leuchtet in Rot	Standalone-Modus (Akku)
Leuchtet in Grün	Standalone-Modus (Werkzeug)

5. USB-Verbindung

Lampe	USB-Verbindung
Aus	Es ist keine PC-App mit diesem Verbinder verbunden.
Leuchtet in Grün	Eine PC-App ist mit diesem Verbinder verbunden.
Blinkt in Grün (schnell)	Kommunikation mit PC-App

6. Bluetooth-Verbindung

Lampe	Bluetooth-Verbindung
Aus	Es werden keine Funkwellen erzeugt.
Leuchtet in Blau	Verbindung wird hergestellt.
Blinkt in Blau	Es werden Funkwellen erzeugt. (Es ist keine Verbindung hergestellt.)
Blinkt in Blau (schnell)	Kommunikation mit Smartphone-App

VERFÜGBARE FUNKTIONEN MIT ADP12

Einzelheiten zur Benutzung der App finden Sie im Web-Handbuch für ADP12. (Siehe Abb.1.)

Funktionen

- **Diebstahlschutzeinstellung (PIN-Code)**
Sie können den PIN-Code für jedes Werkzeug und jeden Akku einstellen. Nur die Kombination aus Werkzeug und Akku mit übereinstimmenden PINs kann in Betrieb genommen werden.
- **Akku-Timereinstellung**
Akkus können nach einem Bauzeitplan mit einem Verfallsdatum versehen werden, so dass die Akkus nicht mehr verwendet werden können, nachdem der Bau abgeschlossen ist.
- **Wartungsassistent**
 - **Werkzeugprüfer**
Status und Betriebshistorie des Werkzeugs können angezeigt werden.
 - **Akkuprüfer**
Status und Betriebshistorie des Akkus können angezeigt werden.
 - **Notepad-Registrierung**
Sie können Zeichen im Werkzeug und im Akku registrieren (die Anzahl der Zeichen, die registriert werden können, hängt vom Modell ab). Diese Funktion wird für die Werkzeugverwaltung und die Wartungshistorie verwendet.

HINWEIS: Einige Funktionen sind je nach Werkzeug nicht verfügbar.

HINWEIS: Im Werkzeugprüfer kann die Anzahl der Vorgänge in der Betriebshistorie auch bei fabrikneuen Werkzeugen angezeigt werden, z. B. aufgrund von Inspektionen im Werk usw.

VOR DER BENUTZUNG

Installieren der App

- Die App ist kostenlos, beim Herunterladen kann jedoch eine separate Kommunikationsgebühr anfallen.
- Die App ist ausschließlich für Makita-Produkte bestimmt.
- Bitte benutzen Sie die App, nachdem Sie der neuesten Version der Nutzungsbedingungen der Anwendung zugestimmt haben. Beim ersten Start oder bei der Installation der App wird der Bildschirm mit den Nutzungsbedingungen angezeigt.
- Der Anwendungsbildschirm kann aufgrund zukünftiger Aktualisierungen ohne Vorankündigung geändert werden oder nicht mehr verfügbar sein.

Für Smartphones/Tablets

Vorbereitung im Vorfeld

Ein Smartphone/Tablet (iOS oder Android) ist zur Benutzung der App erforderlich.

- iOS (iPhone): iOS 13 oder später ist erforderlich.
- Android: Android Version 9,0 oder später ist erforderlich.
Von einigen Ausnahmen abgesehen, müssen Android-Geräte die Benutzung von Standortinformationen für Bluetooth-Verbindungen erlauben.

Installieren der App

1. Suchen Sie nach „Makita Tool Management“ im App Store oder bei Google Play.
Der Zugriff ist auch über den QR-Code in der folgenden Abbildung möglich.

Website zum Herunterladen der Smartphone-App
► Abb.3

2. Installieren Sie die App. Auf dem Startbildschirm wird ein Symbol „Makita Tool Management“ erstellt.

Für PCs

Systemanforderungen

Der PC muss die folgenden Anforderungen erfüllen, um die App benutzen zu können.

- Betriebssystem: Windows 10, oder Windows 11

Installieren der App

1. Rufen Sie die in der folgenden Abbildung gezeigte URL auf.

Website zum Herunterladen der PC-App
► Abb.4

2. Laden Sie „MakitaToolManagementSetup_EN_v1020.exe“ herunter, und installieren Sie die App.

Verbinden mit dem PC

Bevor Sie die App starten, schließen Sie diesen Verbinder an den PC an.

► Abb.5

ANMERKUNG: Trennen Sie das USB-Kabel nicht ab, während die USB-Verbindungsleuchte dieses Verbinders blinkt.

Installieren des Akkus/Werkzeugs

Sonderzubehör

Bevor Sie die App starten, installieren Sie den Akku und das Werkzeug an diesem Verbinder.

Anbringen und Abnehmen der Akkus

⚠VORSICHT: Schieben Sie die Akkus stets bis zum Anschlag ein, bis die rote Anzeige nicht mehr sichtbar ist. Anderenfalls kann er versehentlich aus diesem Verbinder herausfallen und Sie oder umstehende Personen verletzen.

⚠VORSICHT: Achten Sie darauf, dass Sie Ihren Finger nicht zwischen dem Akku und den Anschlüssen einklemmen.

ANMERKUNG: Laden Sie den Akku vor Gebrauch auf. Ein Akku ohne Restkapazität kann nicht benutzt werden.

ANMERKUNG: Achten Sie beim Entfernen des Akkus darauf, dass das installierte Werkzeug vollkommen zum Stillstand gekommen ist und keine Kommunikation mit der App stattfindet. Anderenfalls kann es zu Fehlfunktionen kommen.

Richten Sie zum Anbringen des Akkus dessen Führungsfeder auf die Nut im Gehäuse aus, und schieben Sie den Akku hinein. Schieben Sie ihn vollständig ein, bis er mit einem leisen Klicken einrastet. Wenn Sie die rote Anzeige sehen können, wie in der Abbildung gezeigt, ist der Akku nicht vollständig verriegelt. Um den Akku abzunehmen, ziehen Sie ihn von diesem Verbinder ab, während Sie den Knopf an der Vorderseite des Akkus verschieben.

► Abb.6: 1. Rote Anzeige 2. Knopf 3. Akku

Anbringen und Abnehmen des Werkzeugs

⚠VORSICHT: Legen Sie Ihren Finger nicht auf den Schalter des Werkzeugs. Anderenfalls kann ein unbeabsichtigtes Starten verursacht werden, das zu Verletzungen führen kann.

ANMERKUNG: Achten Sie beim Installieren oder Entfernen des Werkzeugs darauf, dass das installierte Werkzeug vollständig still steht. Anderenfalls kann es zu Fehlfunktionen kommen.

ANMERKUNG: Stellen Sie beim Entfernen des Werkzeugs sicher, dass keine Kommunikation mit der App stattfindet. Anderenfalls kann es zu Fehlfunktionen kommen.

HINWEIS: Das Werkzeug läuft nicht, wenn dieser Verbinder angeschlossen ist.

Richten Sie zum Installieren des Werkzeugs die Lasche dieses Verbinders auf die Nut im Gehäuse aus und schieben Sie ihn in die richtige Position. Schieben Sie ihn vollständig ein, bis er mit einem leisen Klicken einrastet. Um das Werkzeug abzunehmen, ziehen Sie es von diesem Verbinder ab, während Sie den Knopf an der Vorderseite dieses Verbinders verschieben.

► Abb.7

FEHLERSUCHE

Bevor Sie eine Reparatur anfordern, überprüfen Sie bitte die folgenden Punkte.

Zustand der Unregelmäßigkeit	Wahrscheinliche Ursache (Funktionsstörung)	Abhilfemaßnahme
Der Verbinder kann nicht eingeschaltet werden. Die Statuslampe leuchtet nicht.	Die Akku-Restkapazität ist niedrig.	Laden Sie den Akku auf.
	Der Akku ist falsch eingesetzt.	Nehmen Sie den Akku einmal ab. Setzen Sie den Akku gemäß der Beschreibung in dieser Anleitung wieder ein.
Die Statuslampe blinkt in Rot.	Das Werkzeug ist falsch installiert.	Nehmen Sie das Werkzeug einmal ab. Installieren Sie das Werkzeug wieder gemäß der Beschreibung in dieser Anleitung.
	Der Akku ist falsch eingesetzt.	Nehmen Sie den Akku einmal ab. Setzen Sie den Akku gemäß der Beschreibung in dieser Anleitung wieder ein.
Der Verbinder kann die Verbindung mit dem Smartphone/ Tablet nicht herstellen.	Das Signal ist schwach.	Halten Sie das Smartphone/ Tablet näher an den Verbinder.
	Die Bluetooth-Verbindung des Smartphones/ Tablets ist deaktiviert.	Aktivieren Sie die Bluetooth-Verbindung des Smartphones/ Tablets.
Die USB-Verbindung mit dem PC funktioniert nicht.	Das USB-Kabel ist nicht ordnungsgemäß eingesteckt.	Stellen Sie sicher, dass das USB-Kabel fest in den USB-Anschluss eingesteckt ist.
	Das Kabel ist defekt.	Verwenden Sie ein anderes USB-Kabel.
	Das USB-Kabel entspricht nicht den Spezifikationen.	Verwenden Sie das in diesem Handbuch angegebene USB-Kabel. Siehe den Abschnitt mit den Spezifikationen.

Falls die Störung auch nach den oben genannten Maßnahmen nicht behoben werden kann, ist möglicherweise der Verbinder defekt. Bitte wenden Sie sich an ein autorisiertes Makita Service-Center.

WARTUNG

⚠ VORSICHT: Vergewissern Sie sich vor der Durchführung von Inspektions- oder Wartungsarbeiten stets, dass das Werkzeug ausgeschaltet und der Akku abgenommen ist.

ANMERKUNG: Waschen Sie den Verbinder nicht mit Wasser. Es besteht ein Risiko von Fehlfunktionen.

ANMERKUNG: Wischen Sie die Außenseite dieses Verbinders von Zeit zu Zeit mit einem in Seifenwasser angefeuchteten Tuch ab.

ANMERKUNG: Verwenden Sie auf keinen Fall Benzin, Waschbenzin, Verdünnern, Alkohol oder dergleichen. Solche Mittel können Verfärbung, Verformung oder Rissbildung verursachen.

Um die SICHERHEIT und ZUVERLÄSSIGKEIT dieses Produkts zu gewährleisten, sollten Reparaturen und andere Wartungs- oder Einstellarbeiten nur von Makita-Vertragswerkstätten oder Makita-Kundendienstzentren unter ausschließlicher Verwendung von Makita-Originalersatzteilen ausgeführt werden.

DATI TECNICI

Modello:		ADP12
Cartucce delle batterie compatibili		BL4020 / BL4025 / BL4040 / BL4050F / BL4080F
Dimensioni (L x P x A) (Batteria e utensile esclusi)		98 mm x 85 mm x 55 mm
Peso netto (Batteria e utensile esclusi)		0,17 kg
Bluetooth	Versione Bluetooth®	5,1 (Bluetooth Low Energy)
	Raggio d'azione delle trasmissioni	Circa 10 m
	Banda di frequenze	2.402 MHz - 2.480 MHz
	Potenza massima della radiofrequenza	0,11 dBm (EIRP)

- A causa del nostro programma continuativo di ricerca e sviluppo, i dati tecnici sono soggetti a modifiche senza preavviso.
- I dati tecnici possono variare da nazione a nazione.
- Alcune delle cartucce delle batterie elencate sopra potrebbero non essere disponibili, a seconda della propria area geografica di residenza.

Cavo USB applicabile

Utilizzare un cavo USB corrispondente al terminale USB tipo C.

Si consiglia un cavo USB dotato di schermatura, approvazione USB-IF, e di lunghezza massima di circa 1,8 m.

Fonte di alimentazione collegata via cavo applicabile

La possibilità di applicare o meno una fonte di alimentazione collegata via cavo dipende da quale utensile debba essere utilizzato con essa. Fare riferimento ai dati tecnici dell'utensile.

Notifica relativa agli utensili non compatibili

Alcuni utensili non sono compatibili con questo connettore. Fare riferimento al manuale sul web nella figura per i numeri dei modelli specifici.

Manuale sul web dell'app per l'ADP12

► Fig.1

Simboli

Le figure seguenti mostrano i simboli utilizzati per l'apparecchio. Accertarsi di comprenderne il significato prima dell'uso.



Leggere il manuale d'uso.



Solo per uso in interni.



Ni-MH
Li-Ion

Solo per le nazioni dell'EU

A causa della presenza di componenti pericolosi nelle apparecchiature, i rifiuti di apparecchiature elettriche ed elettroniche, accumulatori e batterie potrebbero produrre un impatto negativo sull'ambiente e sulla salute umana.

Non smaltire elettrodomestici elettrici ed elettronici o batterie insieme ai rifiuti domestici!

In conformità alla direttiva europea sui rifiuti di apparecchiature elettriche ed elettroniche (RAEE), sugli accumulatori e le batterie, nonché sui rifiuti di accumulatori e batterie, e al suo adattamento alle normative nazionali, i rifiuti di apparecchiature elettriche ed elettroniche, batterie e accumulatori vanno conservati separatamente e conferiti a un punto di raccolta separato per i rifiuti comunali, operando in conformità alle normative per la protezione dell'ambiente.

Tale requisito viene indicato mediante il simbolo del bidone della spazzatura con ruote barrato apposto sull'apparecchio.

Dichiarazioni di conformità

Solo per i paesi europei

Le Dichiarazioni di conformità sono incluse nell'Allegato A al presente manuale d'uso.

AVVERTENZE DI SICUREZZA

Prima di utilizzare questo connettore, leggere tutte le istruzioni e le indicazioni delle avvertenze su questo connettore, sulla cartuccia della batteria e sul prodotto che utilizza questo connettore. Seguire tutte le avvertenze e le istruzioni di sicurezza. La mancata osservanza delle avvertenze e delle istruzioni potrebbe risultare in scosse elettriche, incendi e/o gravi lesioni personali.

Sicurezza dell'area di lavoro

1. **Non esporre questo connettore a pioggia, neve o condizioni di bagnato.** In caso contrario, l'acqua potrebbe penetrare nel connettore e causare scosse elettriche o cortocircuiti.
2. **Non far funzionare questo connettore in atmosfere esplosive, ad esempio in presenza di liquidi, gas o polveri infiammabili.** Rischio di esplosioni o incendi.

Sicurezza elettrica

1. **Utilizzare un cavo USB corrispondente al terminale USB tipo C. Non modificare il cavo USB.** In caso contrario, si potrebbe verificare un malfunzionamento.
2. **Non cortocircuitare i terminali. Mantenere i terminali lontani da altri oggetti metallici, quali aghi o fili metallici, che potrebbero creare un contatto da un terminale a un altro.** Il cortocircuito dei terminali tra di loro potrebbe causare ustioni o un incendio.
3. **Utilizzare questo connettore esclusivamente con le batterie specificamente designate. Non utilizzare batterie modificate.** L'utilizzo di qualsiasi altra batteria potrebbe creare un rischio di lesioni personali e di incendio.

Assistenza tecnica

1. **Far sottoporre ad assistenza questo connettore da parte di un tecnico di assistenza qualificato, che utilizzi esclusivamente pezzi di ricambio identici.** In tal modo si garantisce che la sicurezza di questo connettore venga preservata. **Non disassemblare né manomettere questo connettore.** In caso contrario, si potrebbe causare un incendio, calore eccessivo o un'esplosione. **Qualora si noti una qualsiasi anomalia in questo connettore, inviarlo a un centro di assistenza autorizzato Makita per l'ispezione e la riparazione.** Qualora una persona priva delle conoscenze e delle competenze sulle riparazioni ripari questo prodotto, non solo quest'ultimo non funziona in maniera adeguata, ma sussiste anche il rischio di un incidente o di lesioni personali.

Avvertenze di sicurezza aggiuntive

1. **Verificare l'eventuale presenza di parti danneggiate. Qualora si verifichi qualsiasi anomalia o qualsiasi malfunzionamento, interrompere immediatamente l'utilizzo di questo connettore.** Qualora si continui a utilizzarlo, potrebbero verificarsi fumo, un incendio, scosse elettriche e lesioni personali.
<Esempi di anomalie/guasti>
 - Il cavo o il terminale hanno una temperatura anomala estremamente elevata.
 - Sono presenti graffi profondi o deformazioni.
 - Quando si tocca il cavo USB, i conduttori potrebbero essere o non essere alimentati.
 - Si sente puzza di bruciato.
 - Si percepisce la presenza di elettricità.**Qualora si percepisca un qualsiasi problema, scollegare immediatamente la fonte di alimentazione dal connettore e contattare un centro di assistenza Makita autorizzato per l'ispezione e la riparazione.**
2. **Qualora si noti una qualsiasi anomalia, ad esempio la generazione di calore dalla cartuccia della batteria durante l'uso, rimuovere la cartuccia della batteria e interromperne l'utilizzo immediatamente.** Qualora si continui l'utilizzo, si potrebbero causare fumo, un incendio o un'esplosione.
3. **Non riporre né utilizzare questo connettore in ubicazioni in cui la temperatura potrebbe raggiungere o superare i 50°C.** Conservare in un luogo asciutto, fuori dalla portata dei bambini. Sussiste il rischio di incidenti.
4. **Non toccare i terminali con le mani bagnate.** Rischio di scosse elettriche.
5. **Non far cadere questo connettore.** Rischio di malfunzionamento.

CONSERVARE LE PRESENTI ISTRUZIONI: il presente manuale contiene importanti istruzioni per l'uso e relative alla sicurezza per questo connettore. Quando si intende prestare il connettore, allegarvi sempre il presente manuale d'uso.

Avvertenze di sicurezza relative alle onde radio

1. **Non utilizzare questo prodotto in prossimità di apparecchi elettronici con controlli ad alta precisione e segnali deboli. (Esempi di apparecchi elettronici che richiedono cautela: apparecchi acustici (per sordità), pacemaker, altre apparecchiature mediche, allarmi antincendio, porte automatiche e altri apparecchi di controllo automatico).**
2. L'onda radio di questo prodotto non è garantita in tutti gli ambienti. Nei casi seguenti, l'onda radio potrebbe non raggiungere la destinazione o potrebbe venire interrotta.
 - Quando si utilizza questo prodotto in edifici in cui si utilizzino calcestruzzo, ferri d'armatura o metallo.
 - Quando si utilizza questo prodotto in prossimità di ostacoli.

- Quando questo prodotto subisce l'interferenza di apparecchi di comunicazione wireless che utilizzino la stessa frequenza.
- Quando si utilizza questo prodotto in prossimità di apparecchi, ad esempio forni a microonde, che generano campi magnetici, elettricità statica o interferenze radio.

MARCHI E MARCHI REGISTRATI RISPETTIVI



- Il marchio denominativo e i loghi Bluetooth® sono marchi registrati di proprietà di Bluetooth SIG, Inc., e qualsiasi utilizzo di tali marchi da parte di Makita viene effettuato sotto licenza. Altri marchi e nomi commerciali appartengono ai rispettivi proprietari.
- Android e Google Play sono marchi o marchi registrati di Google LLC.
- iPhone è un marchio di Apple Inc., registrato negli Stati Uniti e in altre nazioni.
- Il marchio iPhone viene utilizzato sotto licenza di Aiphone Co., Ltd.
- App Store è un marchio di servizio di Apple Inc.
- Tutti gli altri marchi nel presente documento appartengono ai rispettivi proprietari. Tenere presente che i simboli ™ e © sono omessi in alcune parti del testo principale.

DESCRIZIONE DELLE PARTI

► Fig.2

1. **Pulsante**
2. **Porta USB**
Per la comunicazione con un PC. Non può essere utilizzato per caricare dispositivi USB.
3. **Stato**

Indicatore luminoso	Stato
Spento	La fonte di alimentazione (cartuccia della batteria/USB) non è collegata a questo connettore.
Illuminato in verde	La fonte di alimentazione è collegata a questo connettore.
Lampeggiante in rosso	Errore di lettura o di caricamento dei dati

4. **Modalità**
Per i dettagli di ciascuna modalità, fare riferimento al manuale sul web dell'app.

Indicatore luminoso	Modalità
Spento	Modalità di comunicazione (comm)
Illuminato in rosso	Modalità autonoma (batteria)
Illuminato in verde	Modalità autonoma (utensile)

5. **Collegamento USB**

Indicatore luminoso	Collegamento USB
Spento	L'app per PC non è connessa a questo connettore.
Illuminato in verde	L'app per PC è connessa a questo connettore.
Lampeggiante (rapidamente) in verde	Comunicazione in corso con l'app per PC

6. **Connessione Bluetooth**

Indicatore luminoso	Connessione Bluetooth
Spento	L'onda radio non viene generata.
Illuminato in blu	La connessione è stata stabilita.
Lampeggiante in blu	L'onda radio viene generata. (La connessione non è stata stabilita.)
Lampeggiante (rapidamente) in blu	Comunicazione in corso con l'app per smartphone

FUNZIONALITÀ DELL'ADP12

Per i dettagli su come utilizzare l'app, fare riferimento al manuale sul web dell'app per l'ADP12. (Fare riferimento alla Fig.1).

Funzioni

- **Impostazione antifurto (codice PIN)**
È possibile impostare il codice PIN per ciascun utensile e ciascuna cartuccia della batteria. È possibile far funzionare solo la combinazione di un utensile e di una cartuccia della batteria che abbiano lo stesso PIN.
- **Impostazione del timer della batteria**
È possibile impostare sulle cartucce delle batterie un'ora o una data di scadenza, in base a un programma di costruzione, in modo che le cartucce non siano più utilizzabili dopo che la costruzione è stata completata.

• Assistenza tecnica

- **Funzione di controllo dell'utensile**
È possibile visualizzare lo stato e la cronologia degli utilizzi dell'utensile.
- **Tester per batteria**
È possibile visualizzare lo stato e la cronologia degli utilizzi della batteria.
- **Registrazione su blocco note**
È possibile registrare caratteri nell'utensile e nella cartuccia della batteria (il numero di caratteri che possono essere registrati dipende dal modello). Questa funzione viene utilizzata per la gestione degli utensili e la cronologia di manutenzione.

NOTA: Alcune funzioni non sono disponibili, a seconda dell'utensile.

NOTA: Nella funzione di controllo dell'utensile, potrebbe venire visualizzata la cronologia del numero di utilizzi anche con un utensile nuovo, a causa delle ispezioni in fabbrica, e così via.

PRIMA DELL'USO

Installazione dell'app

- L'app è gratuita, ma potrebbe venire addebitato un costo di comunicazione separato durante lo scaricamento.
- L'app è destinata esclusivamente ai prodotti Makita.
- Utilizzare l'app dopo aver accettato la versione più aggiornata dei termini di utilizzo dell'applicazione. Al primo avvio o all'installazione dell'app, viene visualizzata la schermata dei termini di utilizzo.
- La schermata dell'applicazione potrebbe venire modificata o non essere disponibile senza preavviso, a causa degli aggiornamenti futuri.

Per smartphone o tablet

Preparativi da effettuare in anticipo

Per utilizzare l'app è necessario uno smartphone o un tablet (iOS o Android).

- iOS (iPhone): è richiesto iOS 13 o versione successiva.
- Android: è richiesta la versione 9,0 o successiva di Android.
Con alcune eccezioni, i dispositivi Android devono consentire l'utilizzo delle informazioni sulla posizione per le connessioni Bluetooth.

Installazione dell'app

1. Cercare "Makita Tool Management" nell'App Store o su Google Play.
È anche possibile accedere dal codice QR nella figura seguente.

Sito di scaricamento dell'app per smartphone

► Fig.3

2. Installare l'app. Viene creata un'icona "Makita Tool Management" nella schermata principale.

Per i PC

Requisiti di sistema

Il PC deve soddisfare i requisiti seguenti per utilizzare l'app.

- SO: Windows 10 o Windows 11

Installazione dell'app

1. Accedere all'URL mostrata nella figura seguente.

Sito di scaricamento dell'app per PC

► Fig.4

2. Scaricare "MakitaToolManagementSetup_EN_v1020.exe" e installare l'app.

Collegamento del PC

Prima di avviare l'app, collegare questo connettore al PC.

► Fig.5

AVVISO: Non scollegare il cavo USB mentre l'indicatore luminoso di connessione USB di questo connettore sta lampeggiando.

Installazione della cartuccia della batteria o dell'utensile

Accessorio opzionale

Prima di avviare l'app, installare la cartuccia della batteria e l'utensile su questo connettore.

Installazione o rimozione della cartuccia della batteria

⚠ATTENZIONE: Installare sempre a fondo la cartuccia della batteria, fino a quando l'indicatore rosso non è più visibile. In caso contrario, la batteria potrebbe cadere accidentalmente da questo connettore, causando lesioni personali all'operatore a chi gli è vicino.

⚠ATTENZIONE: Fare attenzione a non far restare incastrato il dito tra la cartuccia della batteria e i terminali.

AVVISO: Caricare la cartuccia della batteria prima dell'uso. Non è possibile utilizzare una cartuccia della batteria che non abbia carica residua.

AVVISO: Quando si intende rimuovere la cartuccia della batteria, accertarsi che l'utensile installato si sia completamente arrestato e che non vi siano comunicazioni con l'app. In caso contrario, si potrebbe verificare un malfunzionamento.

Per installare la cartuccia della batteria, allineare la linguetta sulla cartuccia della batteria con la scanalatura nell'alloggiamento e farla scivolare in sede. Inserirla completamente fino al suo blocco in sede con un leggero scatto. Se è possibile vedere l'indicatore rosso, come indicato nella figura, non è bloccata completamente.

Per rimuovere la cartuccia della batteria, farla scorrere via da questo connettore mentre si fa scorrere allo stesso tempo il pulsante sulla parte anteriore della cartuccia.

► Fig.6: 1. Indicatore rosso 2. Pulsante 3. Cartuccia della batteria

Installazione o rimozione dell'utensile

⚠ATTENZIONE: Non appoggiare il dito sull'interruttore dell'utensile. In caso contrario, si potrebbe causare l'avvio accidentale, che potrebbe risultare in lesioni personali.

AVVISO: Quando si intende installare o rimuovere l'utensile, accertarsi che l'utensile installato si sia completamente arrestato. In caso contrario, si potrebbe verificare un malfunzionamento.

AVVISO: Quando si intende rimuovere l'utensile, accertarsi che non vi siano comunicazioni con l'app. In caso contrario, si potrebbe verificare un malfunzionamento.

NOTA: L'utensile non funziona con questo connettore montato.

Per installare l'utensile, allineare la linguetta su questo connettore con la scanalatura nell'alloggiamento e farlo scivolare in sede. Inserirlo completamente fino al suo blocco in sede con un leggero scatto.

Per rimuovere l'utensile, farlo scorrere via da questo connettore mentre si fa scorrere allo stesso tempo il pulsante sulla parte anteriore di questo connettore.

► Fig.7

RISOLUZIONE DEI PROBLEMI

Prima di richiedere riparazioni, controllare i punti seguenti.

Stato di anomalia	Causa probabile (guasto)	Azione correttiva
Non è possibile accendere il connettore. L'indicatore luminoso di stato non si illumina.	La carica residua della batteria è bassa.	Caricare la cartuccia della batteria.
	La cartuccia della batteria non è installata correttamente.	Rimuovere la cartuccia della batteria una volta. Reinstallare la cartuccia della batteria come descritto nel presente manuale.
L'indicatore luminoso di stato lampeggia in rosso.	L'utensile non è installato correttamente.	Rimuovere l'utensile una volta. Reinstallare l'utensile come descritto nel presente manuale.
	La cartuccia della batteria non è installata correttamente.	Rimuovere la cartuccia della batteria una volta. Reinstallare la cartuccia della batteria come descritto nel presente manuale.
Il connettore non è in grado di stabilire la connessione con lo smartphone o il tablet.	Il segnale è debole.	Avvicinare lo smartphone o il tablet al connettore.
	La connessione Bluetooth dello smartphone o del tablet è disattivata.	Attivare la connessione Bluetooth dello smartphone o del tablet.

Stato di anomalia	Causa probabile (guasto)	Azione correttiva
La connessione USB con il PC non funziona.	Il cavo USB non è inserito correttamente.	Accertarsi che il cavo USB sia inserito saldamente nella porta USB.
	Il cavo è rotto.	Utilizzare un altro cavo USB.
	Il cavo USB non è conforme alle specifiche.	Utilizzare un cavo USB che sia specificato nel presente manuale. Fare riferimento alla sezione relativa ai dati tecnici.

Qualora non sia possibile risolvere il problema anche dopo aver adottato le misure indicate sopra, il connettore potrebbe essere difettoso. Contattare i centri di assistenza autorizzati Makita.

MANUTENZIONE

⚠ATTENZIONE: Accertarsi sempre che l'utensile sia spento e che la cartuccia della batteria sia stata rimossa prima di tentare di eseguire interventi di ispezione o manutenzione.

AVVISO: Non lavare il connettore con acqua. Rischio di malfunzionamento.

AVVISO: Pulire di tanto in tanto la superficie esterna di questo connettore utilizzando un panno inumidito con acqua e sapone.

AVVISO: Non utilizzare mai benzina, benzene, solventi, alcol o altre sostanze simili. In caso contrario, si potrebbero causare scolorimenti, deformazioni o crepe.

Per preservare la SICUREZZA e l'AFFIDABILITÀ del prodotto, le riparazioni e qualsiasi altro intervento di manutenzione e di regolazione devono essere eseguiti da un centro di assistenza autorizzato Makita, utilizzando sempre ricambi Makita.

TECHNISCHE GEGEVENS

Model:		ADP12
Toepasselijke accu's		BL4020 / BL4025 / BL4040 / BL4050F / BL4080F
Afmetingen (l x b x h) (zonder de accu en het gereedschap)		98 mm x 85 mm x 55 mm
Nettogewicht (zonder de accu en het gereedschap)		0,17 kg
Bluetooth	Bluetooth®-versie	5,1 (Bluetooth Low Energy)
	Zendbereik	Ongeveer 10 m
	Frequentiebereik	2.402 MHz - 2.480 MHz
	Maximumvermogen van radiofrequentie	0,11 dBm (EIRP)

- In verband met ononderbroken research en ontwikkeling, behouden wij ons het recht voor de bovenstaande technische gegevens zonder voorafgaande kennisgeving te wijzigen.
- De technische gegevens kunnen van land tot land verschillen.
- Sommige van de hierboven vermelde accu's zijn mogelijk niet leverbaar afhankelijk van waar u woont.

Geschikte USB-kabel

Gebruik een USB-kabel die overeenkomt met de USB Type-C-aansluiting. Wij adviseren een USB-kabel met een mantel, USB-IF-goedkeuring en een lengte van maximaal 1,8 meter te gebruiken.

Toepasbare bekabelde voedingsbron

Of de bekabelde voedingsbron toepasselijk is of niet, is afhankelijk van met welk gereedschap deze wordt gebruikt. Raadpleeg de specificaties van het gereedschap.

Kennisgeving over niet-compatibele gereedschappen

Sommige gereedschappen zijn niet compatibel met deze connector. Raadpleeg de webhandleiding in de afbeelding voor de specifieke modelnummers.

App-webhandleiding voor ADP12

► Fig.1

Symbolen

Hieronder staan de symbolen die voor het gereedschap kunnen worden gebruikt. Zorg ervoor dat u de betekenis ervan kent voordat u het gereedschap gaat gebruiken.



Lees de gebruiksaanwijzing.



Uitsluitend voor gebruik binnenshuis.



Ni-MH
Li-ion

Alleen voor EU-landen
Als gevolg van de aanwezigheid van schadelijke componenten in het apparaat, kunnen oude elektrische en elektronische apparaten, accu's en batterijen negatieve gevolgen hebben voor het milieu en de gezondheid van mensen.
Gooi elektrische en elektronische apparaten en accu's niet met het huisvuil weg!
In overeenstemming met de Europese richtlijn inzake oude elektrische en elektronische apparaten en inzake accu's en batterijen en oude accu's en batterijen, alsmede de toepassing daarvan binnen de nationale wetgeving, dienen oude elektrische apparaten, accu's en batterijen gescheiden te worden opgeslagen en te worden ingeleverd bij een apart inzamelingspunt voor huishoudelijk afval dat de milieubeschermingsvoorschriften in acht neemt.
Dit wordt op het apparaat aangegeven door het symbool van een doorgekruiste afvalcontainer.

Verklaringen van conformiteit

Alleen voor Europese landen

De verklaringen van conformiteit zijn bijgevoegd in Bijlage A bij deze gebruiksaanwijzing.

VEILIGHEIDSWAARSCHUWINGEN

Voordat u deze connector gebruikt, leest u alle instructies en waarschuwingen op deze connector, de accu en het product dat deze connector gebruikt. Houd u aan alle veiligheidswaarschuwingen en -instructies. Het niet volgen van de waarschuwingen en instructies kan leiden tot een elektrische schok, brand en/of ernstig letsel.

Veiligheid op de werkplek

1. **Stel deze connector niet bloot aan regen, sneeuw of natte omstandigheden.** Anders kan water in de connector komen en kortsluiting of een elektrische schok veroorzaken.
2. **Gebruik deze connector niet in een omgeving waar explosiegevaar bestaat door licht ontvlambare vloeistoffen, gas, damp of stof.** Risico van explosie of brand.

Elektrische veiligheid

1. **Gebruik een USB-kabel die overeenkomt met de USB Type-C-aansluiting. Wijzig de USB-kabel niet.** Anders kan een storing optreden.
2. **Voorkom kortsluiting in de aansluiting. Houd de aansluiting uit de buurt van metalen voorwerpen, zoals naalden en draden, die een verbinding tot stand kunnen brengen tussen de aansluitingen.** Als de aansluitingen kortgesloten worden, kan brand of brandwonden worden veroorzaakt.
3. **Gebruik deze connector uitsluitend met de daarvoor bestemde accu. Gebruik geen gewijzigde accu.** Het gebruik van een andere accu kan gevaar voor letsel of brand opleveren.

Reparatie

1. **Laat deze connector repareren door een vakbekwame reparateur die gebruik maakt van uitsluitend identieke vervangingsonderdelen.** Zo bent u ervan verzekerd dat de veiligheid van deze connector behouden blijft.
Haal deze connector niet uit elkaar en knoei er niet aan. Dit kan leiden tot brand, buitensporige hitte of een explosie.
Als u enige abnormaliteit opmerkt aan deze connector, stuurt u hem naar een erkend Makita-servicecentrum of het fabrieksservicecentrum voor inspectie en reparatie.
Als een persoon zonder kennis of ervaring van reparatie dit product probeert te repareren, zal het niet alleen onvoldoende presteren, maar bestaat tevens het risico van een ongeval of letsel.

Aanvullende veiligheidswaarschuwingen

1. **Inspecteer op beschadigde onderdelen. Als een abnormaliteit of storing optreedt, stopt u onmiddellijk met het gebruik van deze connector.** Als u hem blijft gebruiken, kunnen rook/brand, een elektrische schok en letsel ontstaan.

<Voorbeelden van abnormaliteiten/storingen>

- De kabel of de aansluiting is abnormaal heet.
- Diepe krassen of vervorming zijn zichtbaar.
- Bij aanraking van de USB-kabel wordt de elektrische stroom door de geleiders onderbroken of juist ingeschakeld.
- U ruikt een brandlucht.
- U voelt de elektriciteit.

Als u enig probleem vermoedt, koppelt u onmiddellijk de voedingsbron van de connector los en neemt u contact op met een erkend Makita-servicecentrum of het fabrieksservicecentrum voor inspectie en reparatie.

2. **Als u enige abnormaliteit opmerkt, zoals warmteontwikkeling door de accu tijdens gebruik, verwijdt u onmiddellijk de accu en stopt u met het gebruik ervan.** Als u hem blijft gebruiken, kan rook, brand of een explosie ontstaan.
3. **Bewaar en gebruik deze connector niet op plaatsen waar de temperatuur kan oplopen tot 50 °C of hoger.**
Berg op een droge plaats op en buiten bereik van kinderen. Er is een risico van een ongeval.
4. **Raak de aansluitingen niet met natte handen aan.** Risico van een elektrische schok.
5. **Laat deze connector niet vallen.** Risico van een storing.

BEWAAR DEZE INSTRUCTIES – Deze gebruiksaanwijzing bevat belangrijke veiligheids- en bedieningsinstructies voor deze connector. Wanneer u deze connector uitleent, geeft u altijd deze gebruiksaanwijzing erbij.

Veiligheidswaarschuwingen voor radiogolven

1. **Gebruik dit apparaat niet in de buurt van elektronische apparaten met precisie-regelingen en zwakke signalen. (Voorbeelden van elektronische apparaten waarmee u voorzichtig moet zijn: hoorapparaten, pacemakers, andere medische apparatuur, brandalarmen, automatische deuren en andere automatische bedieningsapparatuur).**
2. De radiogolven van dit apparaat zijn niet gegarandeerd in elke omgeving. In de volgende gevallen, bereiken de radiogolven mogelijk niet hun doel of kunnen de radiogolven worden onderbroken.
 - Bij gebruik van dit apparaat in gebouwen waarin beton, bewapening of metaal is verwerkt.
 - Bij gebruik van dit apparaat in de buurt van obstakels.
 - Wanneer dit apparaat wordt gestoord door een apparaat dat draadloos communiceert op dezelfde frequentie.
 - Bij gebruik van dit apparaat in de buurt van een apparaat, zoals een magnetron, dat een magnetisch veld, statische elektriciteit of radio-interferentie genereert.

HANDELSMERKEN en GEDEPONEERDE HANDELSMERKEN



- Het Bluetooth®-woordmerk en de logo's zijn gedeponeerde handelsmerken van de Bluetooth SIG, Inc. en elk gebruik van dergelijke symbolen door Makita geschiedt onder licentie. Andere handelsmerken en handelsnamen zijn die van hun respectieve eigenaren.
- Android en Google Play zijn handelsmerken en handelsnamen van Google LLC.
- iPhone is een handelsmerk van Apple Inc., gedeponeerd in de VS en andere landen.
- Het iPhone-handelsmerk wordt gebruikt onder licentie van Aiphone Co., Ltd.
- App Store is een servicemerk van Apple Inc.
- Alle overige handelsmerken in dit document zijn het eigendom van hun respectieve eigenaren. Merk op dat de symbolen ™ en ® zijn weggelaten in een deel van de hoofdtekst.

BESCHRIJVING VAN DE ONDERDELEN

► Fig.2

1. **Knop**
2. **USB-poort**
Voor communicatie met een computer. Kan niet worden gebruikt om een USB-apparaat op te laden.
3. **Status**

Lamp	Status
Uit	De voedingsbron (accu/USB) is niet aangesloten op deze connector.
Brandt groen	De voedingsbron is aangesloten op deze connector.
Knippert rood	Fout bij data lezen of opladen.

4. **Functie**
Raadpleeg de webhandleiding van de app voor informatie over elke functie.

Lamp	Functie
Uit	Communicatiefunctie (Comm)
Brandt rood	Vrijstaande functie (accu)
Brandt groen	Vrijstaande functie (gereedschap)

5. USB-verbinding

Lamp	USB-verbinding
Uit	De computer-app is niet verbonden met deze connector.
Brandt groen	De computer-app is verbonden met deze connector.
Knippert groen (snel)	Communiqueert met de computer-app.

6. Bluetooth-verbinding

Lamp	Bluetooth-verbinding
Uit	Er worden geen radiogolven gegenereerd.
Brandt blauw	De verbinding is tot stand gebracht.
Knippert blauw	Er worden radiogolven gegenereerd. (De verbinding is niet tot stand gebracht.)
Knippert blauw (snel)	Communiqueert met de smartphone-app.

WAT U KUNT DOEN MET DE ADP12

Voor informatie over het gebruik van de app, raadpleeg u de webhandleiding van de app voor de ADP12. (Raadpleeg afbeelding 1.)

Eigenschappen

- **Antidiefstalinstelling (pincode)**
U kunt de pincode instellen voor elk gereedschap en elke accu. Alleen een combinatie van gereedschap en accu met overeenkomende pincodes maakt bediening mogelijk.
- **Accutimerinstelling**
Een verlooptijd/-datum kan worden ingesteld voor accu's aan de hand van het bouwschema zodat de accu's niet bruikbaar zijn nadat de bouw klaar is.
- **Servicehulp**
 - **Gereedschapscontrole**
De status en bedieningshistorie van het gereedschap kan worden weergegeven.
 - **Accucontrole**
De status en bedieningshistorie van de accu kan worden weergegeven.
 - **Kladblokreregistratie**
U kunt tekst invoeren in het gereedschap en de accu (het aantal tekens dat kan worden ingevoerd is afhankelijk van het model). Dit wordt gebruikt bij het beheer en onderhoud van het gereedschap.

OPMERKING: Sommige eigenschappen zijn niet beschikbaar afhankelijk van het gereedschap.

OPMERKING: In de gereedschapscontrole kan een korte bedieningshistorie worden weergegeven ondanks dat het een gloednieuw gereedschap is als gevolg van de inspecties in de fabriek, enz.

VÓÓR GEBRUIK

De app installeren

- De app is gratis, maar afzonderlijke communicatiekosten kunnen voor het downloaden in rekening worden gebracht.
- De app is exclusief bedoeld voor Makita-producten.
- Gebruik de app nadat u akkoord bent gegaan met de meest recente versie van de gebruiksvoorwaarden van de app. Bij het installeren of het eerste gebruik van de app wordt het scherm met de gebruiksvoorwaarden weergegeven.
- Het scherm in de app kan zonder kennisgeving worden gewijzigd of achterwege worden gelaten in toekomstige updates van de app.

Voor een smartphone of tablet

Vorbereidingen

Een smartphone/tablet (iOS of Android) is noodzakelijk om de app te kunnen gebruiken.

- iOS (iPhone): iOS 13 of hoger is vereist.
- Android: Android-versie 9,0 of hoger is vereist. Enkele uitzonderingen daargelaten, moeten Android-apparaten toestemming geven om locatiegegevens te gebruiken voor Bluetooth-verbindingen.

De app installeren

1. Zoek naar "Makita Tool Management" in de App Store of op Google Play. U kunt de app ook vinden door middel van de QR-code in de onderstaande afbeelding.

Website voor downloaden van de smartphone-app

► Fig.3

2. Installeer de app. Het pictogram "Makita Tool Management" wordt op het startscherm geplaatst.

Voor een computer

Systeemvereisten

De computer moet aan de volgende voorwaarden voldoen om de app te kunnen gebruiken.

- OS: Windows 10 of Windows 11

De app installeren

1. Ga naar de URL weergegeven in de onderstaande afbeelding.

Website voor downloaden van de computer-app

► Fig.4

2. Download "MakitaToolManagementSetup_EN_v1020.exe" en installeer de app.

De computer aansluiten

Voordat u de app opent, verbindt u deze connector met de computer.

► Fig.5

KENNISGEVING: Koppel de USB-kabel niet los terwijl de USB-verbindinglamp van deze connector knippert.

De accu/het gereedschap aanbrengen

Optioneel accessoire

Voordat u de app opent, brengt u de accu en het gereedschap aan op deze connector.

De accu aanbrengen en verwijderen

▲LET OP: Schuif de accu altijd volledig erop totdat het rode deel niet meer zichtbaar is. Als u dit niet doet, kan deze per ongeluk van deze connector af vallen en letsel veroorzaken bij u of anderen in uw omgeving.

▲LET OP: Wees voorzichtig dat uw vingers niet bekneld raken tussen de accu en de aansluitingen.

KENNISGEVING: Laad de accu vóór gebruik op. Een accu zonder resterende acculading kan niet worden gebruikt.

KENNISGEVING: Wanneer u de accu verwijderd, verzekert u zich ervan dat het aangebrachte gereedschap volledig tot stilstand is gekomen en er geen communicatie is met de app. Anders kan een storing optreden.

Om de accu aan te brengen, lijnt u de lip op de accu uit met de groef in de behuizing en duwt u de accu op zijn plaats. Steek hem zo ver mogelijk erop tot u een klinkgeluid hoort. Wanneer het rode deel zichtbaar is, zoals aangegeven in de afbeelding, is de accu niet geheel vergrendeld. Om de accu te verwijderen, verschuift u de knop aan de voorkant van de accu en schuift u hem tegelijkertijd van deze connector af.

► Fig.6: 1. Rood deel 2. Knop 3. Accu

Het gereedschap aanbrengen en verwijderen

▲LET OP: Plaats uw vinger niet op de schakelaar van het gereedschap. Anders kan het gereedschap onbedoeld starten en letsel veroorzaken.

KENNISGEVING: Wanneer u het gereedschap aanbrengt of verwijderd, verzekert u zich ervan dat het aangebrachte gereedschap volledig tot stilstand is gekomen. Anders kan een storing optreden.

KENNISGEVING: Wanneer u het gereedschap verwijderd, verzekert u zich ervan dat er geen communicatie is met de app. Anders kan een storing optreden.

OPMERKING: Het gereedschap kan niet worden ingeschakeld terwijl deze connector is aangebracht.

Om het gereedschap aan te brengen, lijnt u de lip op deze connector uit met de groef in de behuizing en duwt u de accu op zijn plaats. Steek hem zo ver mogelijk erop tot u een klinkgeluid hoort.

Om het gereedschap te verwijderen, verschuift u de knop aan de voorkant van deze connector en schuift u hem tegelijkertijd van deze connector af.

► Fig.7

PROBLEMEN OPLOSSEN

Alvorens om reparatie te verzoeken, controleert u de volgende punten.

Probleemomschrijving	Waarschijnlijke oorzaak (storing)	Oplossing
De connector kan niet worden ingeschakeld. De statuslamp is uit.	De resterende acculading is laag.	Laad de accu op.
	De accu is verkeerd aangebracht.	Verwijder de accu. Breng de accu weer aan zoals beschreven in deze handleiding.
De statuslamp knippert rood.	Het gereedschap is verkeerd aangebracht.	Verwijder het gereedschap. Breng het gereedschap weer aan zoals beschreven in deze handleiding.
	De accu is verkeerd aangebracht.	Verwijder de accu. Breng de accu weer aan zoals beschreven in deze handleiding.
De connector kan geen verbinding tot stand brengen met de smartphone/tablet.	Het signaal is zwak.	Plaats de smartphone/tablet dichterbij de connector.
	De Bluetooth-verbinding van de smartphone/tablet is uitgeschakeld.	Activeer de Bluetooth-verbinding van de smartphone/tablet.
De USB-verbinding met de computer werkt niet.	De USB-kabel is niet correct aangesloten.	Verzekert u ervan dat de USB-kabel stevig in de USB-poort is gestoken.
	De kabel is kapot.	Gebruik een andere USB-kabel.
	De USB-kabel voldoet niet aan de specificatie.	Gebruik de USB-kabel die in deze gebruiksaanwijzing wordt aangegeven. Raadpleeg het gedeelte met de technische gegevens.

Als het probleem niet kan worden opgelost, ook niet na het toepassen van de oplossing, is de connector mogelijk defect. Neem contact op met een erkend Makita-servicecentrum.

ONDERHOUD

⚠ LET OP: Zorg altijd dat het gereedschap is uitgeschakeld en de accu ervan is verwijderd alvorens te beginnen met onderhoud of inspectie.

KENNISGEVING: Was de connector niet met water. Risico van een storing.

KENNISGEVING: Veeg regelmatig de buitenkant van deze connector schoon met een in zeepwater bevochtigde doek.

KENNISGEVING: Gebruik nooit benzine, wasbenzine, thinner, alcohol en dergelijke. Hierdoor kunnen verkleuring, vervormingen en barsten worden veroorzaakt.

Om de VEILIGHEID en BETROUWBAARHEID van het gereedschap te handhaven, dienen alle reparaties, onderhoud of afstellingen te worden uitgevoerd bij een erkend Makita-servicecentrum of de Makita-fabriek, en altijd met gebruik van Makita-vervangingsonderdelen.

ESPECIFICACIONES

Modelo:		ADP12
Cartucho de batería aplicable		BL4020 / BL4025 / BL4040 / BL4050F / BL4080F
Dimensiones (La x An x Al) (Sin la batería ni la herramienta)		98 mm x 85 mm x 55 mm
Peso neto (Sin la batería ni la herramienta)		0,17 kg
Bluetooth	Versión Bluetooth®	5,1 (Bluetooth de bajo consumo)
	Distancia de transmisión	Aproximadamente 10 m
	Banda de frecuencia	2.402 MHz - 2.480 MHz
	Potencia de radiofrecuencia máxima	0,11 dBm (PIRE)

- Debido a nuestro continuado programa de investigación y desarrollo, las especificaciones aquí dadas están sujetas a cambios sin previo aviso.
- Las especificaciones pueden ser diferentes de país a país.
- Algunos de los cartuchos de batería indicados arriba puede que no estén disponibles dependiendo de su región de residencia.

Cable USB aplicable

Utilice un cable USB que encaje en el terminal USB Tipo C.

Recomendamos un cable USB con blindaje, que cumpla con USB-IF, y de una longitud de unos 1,8 m.

Fuente de alimentación conectada por cable aplicable

Si la fuente de alimentación conectada por cable es aplicable o no dependerá de con lo que la herramienta se va a utilizar. Consulte las especificaciones de la herramienta.

Notificación sobre herramientas no compatibles

Algunas herramientas no son compatibles con este conector. Consulte el manual en la web de la figura para ver números de modelo específicos.

Manual en la web de la app para ADP12
► Fig.1

Símbolos

A continuación se muestran los símbolos que pueden ser utilizados para el equipo. Asegúrese de que entiende su significado antes de utilizar.



Lea el manual de instrucciones.



Usar en interiores solamente.



Ni-MH
Li-ion

Sólo para países de la Unión Europea
Debido a la presencia de componentes peligrosos en el equipo, el equipo eléctrico y electrónico, los acumuladores y las baterías desechados pueden tener un impacto negativo para el medioambiente y la salud humana. ¡No tire los aparatos eléctricos y electrónicos ni las baterías junto con los residuos domésticos! De conformidad con las Directivas Europeas sobre residuos de aparatos eléctricos y electrónicos y sobre acumuladores y baterías y residuos de acumuladores y baterías, así como la adaptación de las mismas a la ley nacional, el equipo eléctrico, las baterías y los acumuladores desechados deberán ser almacenados por separado y trasladados a un punto distinto de recogida de desechos municipales, que cumpla con los reglamentos sobre protección medioambiental.
Esto se indica mediante el símbolo de cubo de basura tachado colocado en el equipo.

Declaraciones de conformidad

Para países europeos solamente

Las declaraciones de conformidad están incluidas como Anexo A de este manual de instrucciones.

ADVERTENCIAS DE SEGURIDAD

Antes de utilizar este conector, lea todas las instrucciones y marcas de precaución sobre este conector, el cartucho de batería, y el producto con el que se utiliza el conector.

Siga todas las advertencias de seguridad e instrucciones. Si no sigue las advertencias e instrucciones, podrá resultar en una descarga eléctrica, un incendio y/o heridas graves.

Seguridad en el área de trabajo

1. **No exponga este conector a la lluvia, a la nieve, ni a condiciones en que se pueda mojar.** De lo contrario, el agua podrá entrar en el conector y ocasionar una descarga eléctrica o un cortocircuito.
2. **No utilice este conector en atmósferas explosivas, tal como en presencia de líquidos, gases o polvo inflamables.** Riesgo de explosión o incendio.

Seguridad eléctrica

1. **Utilice un cable USB que encaje en el terminal USB Tipo C. No modifique el cable USB.** De lo contrario, podrá producirse un mal funcionamiento.
2. **No cortocircuite el terminal. Mantenga el terminal alejado de otros objetos metálicos, como agujas o cables, que pueden hacer una conexión entre un terminal y otro.** Si se cortocircuitan entre sí los terminales, podrán producirse quemaduras o un incendio.
3. **Utilice este conector solamente con las baterías designadas específicamente para él. No utilice una batería modificada.** La utilización de cualquier otra batería puede crear un riesgo de heridas o incendio.

Servicio

1. **Haga que este conector sea servido por una persona de reparación cualificada utilizando solamente piezas de repuesto idénticas.** Esto garantizará que la seguridad de este conector será mantenida.
No desarme ni manipule este conector. Podrá resultar en un incendio, calor excesivo, o una explosión.
Si nota alguna anomalía en este conector, envíelo a un centro de servicio autorizado o de fábrica de Makita para que lo inspeccionen y reparen.
Si una persona sin conocimientos y habilidades en reparación repara este producto, este no solo no rendirá suficientemente, sino que habrá también el riesgo de un accidente o heridas.

Advertencias de seguridad adicionales

1. **Inspeccione por si hay partes dañadas. Si se produce una anomalía o mal funcionamiento, deje de utilizar este conector inmediatamente.** Si continúa utilizándolo, puede que se produzca humo/incendio, descarga eléctrica y heridas.
<Ejemplos de anomalías/fallos>
 - El cable o el terminal está anormalmente caliente.
 - Hay arañazos profundos o deformación.
 - Al tocar el cable USB, los conductores puede o puede que no conduzcan corriente.
 - Huele a quemado.
 - Hay una sensación de corriente eléctrica.**Si nota algún problema, desconecte inmediatamente la fuente de alimentación del conector y póngase en contacto con un centro de servicio autorizado o de fábrica de Makita para que lo inspeccionen y reparen.**
2. **Si nota cualquier anomalía tal como generación de calor en el cartucho de batería durante la utilización, retire inmediatamente el cartucho de batería y deje de utilizarlo.** Continuar utilizándolo podrá ocasionar humo, un incendio o una explosión.
3. **No guarde ni utilice este conector en lugares donde la temperatura pueda alcanzar o exceder los 50 °C.**
Guárdelo en un lugar seco fuera del alcance de los niños. Hay un riesgo de accidente.
4. **No toque los terminales con las manos mojadas.** Riesgo de descarga eléctrica.
5. **No deje caer el conector.** Riesgo de mal funcionamiento.

GUARDE ESTAS INSTRUCCIONES – Este manual contiene instrucciones de seguridad y funcionamiento importantes para este conector. Cuando preste este conector, incluya siempre este manual de instrucciones.

Advertencias de seguridad para ondas de radio

1. **No utilice este producto cerca de dispositivos electrónicos con control de alta precisión y señales débiles. (Ejemplos de dispositivos electrónicos que requiere precaución: Un aparato auditivo, un marcapasos, otros dispositivos médicos, una alarma contra incendios, una puerta automática y otros equipos de control automático).**
2. La onda de radio de este producto no está garantizada en todos los entornos. En los casos siguientes, la onda de radio puede que no alcance o se interrumpa.
 - Cuando se utilice este producto en edificios en los que se use hormigón, barras de refuerzo o metal.
 - Cuando se utilice este producto cerca de obstáculos.

- Cuando este producto sufra interferencias de dispositivos de comunicación inalámbrica que usen la misma frecuencia.
- Cuando se utilice este producto cerca de un equipo tal como un microondas que genere un campo magnético, electricidad estática o interferencia radioeléctrica.

MARCAS COMERCIALES Y MARCAS REGISTRADAS RESPECTIVAS



- La marca de la palabra Bluetooth® y sus logotipos son marcas comerciales registradas propiedad de Bluetooth SIG, Inc. y todo uso de dichas marcas por parte de Makita se realiza bajo licencia. Otras marcas comerciales y nombres comerciales pertenecen a sus respectivos propietarios.
- Android y Google Play son marcas comerciales o marcas comerciales registradas de Google LLC.
- iPhone es una marca comercial de Apple Inc., registrada en los EE.UU. y otros países.
- La marca comercial iPhone se utiliza bajo licencia de Aiphone Co., Ltd.
- App Store es una marca de servicio de Apple Inc.
- Todas las demás marcas comerciales en este documento son propiedad de sus respectivos propietarios.
Tenga en cuenta que las marcas ™ y ® se han omitido en algunas partes del texto principal.

DESCRIPCIÓN DE LAS PARTES

► Fig.2

1. **Botón**
2. **Puerto USB**
Para comunicación con un PC. No se puede usar para cargar dispositivos USB.
3. **Estado**

Lámpara	Estado
Apagada	La fuente de alimentación (cartucho de batería/USB) no está conectada a este conector.
Encendida en verde	La fuente de alimentación está conectada a este conector.
Parpadeando en rojo	Error de lectura/carga de datos

4. **Modo**
Consulte el manual en la web de la app para ver detalles de cada modo.

Lámpara	Modo
Apagada	Modo comunicación (Comm)
Encendida en rojo	Modo autónomo (Batería)
Encendida en verde	Modo autónomo (Herramienta)

5. Conexión USB

Lámpara	Conexión USB
Apagada	La app de PC no está conectada a este conector.
Encendida en verde	La app de PC está conectada a este conector.
Parpadeando en verde (rápido)	Comunicando con app de PC

6. Conexión Bluetooth

Lámpara	Conexión Bluetooth
Apagada	No se genera onda de radio.
Encendida en azul	La conexión está establecida.
Parpadeando en azul	Se genera onda de radio. (La conexión no está establecida.)
Parpadeando en azul (rápido)	Comunicando con la app de smartphone

QUÉ PUEDE HACER CON ADP12

Para ver detalles sobre cómo usar la app, consulte el manual en web de la app para ADP12. (Consulte la Fig.1.)

Características

- **Ajuste antirrobo (Código PIN)**
Puede ajustar el código PIN para cada herramienta y cartucho de batería. Solo se puede operar la combinación de herramienta y cartucho de batería con los códigos PIN correspondientes.
- **Ajuste del temporizador de la batería**
Se puede ajustar una hora/fecha de expiración en los cartuchos de batería de acuerdo con un calendario de construcción de manera que los cartuchos no se puedan utilizar una vez acabada la construcción.
- **Servicio de asistencia**
 - **Verificador de herramienta**
Se puede visualizar el historial del estado y operación de la herramienta.

- **Verificador de batería**
Se puede visualizar el historial del estado y operación de la batería.
- **Registro de apuntes**
Puede registrar caracteres en la herramienta y cartucho de batería (el número de caracteres que se pueden registrar depende del modelo). Se utiliza para el historial de gestión y mantenimiento de la herramienta.

NOTA: Algunas características no estarán disponibles según la herramienta.

NOTA: En el verificador de herramienta, el número de historial de operación puede que se visualice incluso con una herramienta recién comprada debido a la inspección hecha en fábrica, etc.

ANTES DE UTILIZAR

Instalación de la app

- La app es gratis, pero puede que haya que abonar un gasto de comunicación aparte al hacer la descarga.
- La app es exclusivamente para productos Makita.
- Utilice la app después de aceptar la última versión de las condiciones de uso de la aplicación. La primera vez que inicie o instale la app, se visualizará la pantalla de las condiciones de uso.
- La pantalla de la aplicación puede cambiar o no estar disponible sin previo aviso debido a futuras actualizaciones.

Para smartphones/tablets

Preparación previa

Para utilizar la app se necesita un smartphone/tablet (iOS o Android).

- iOS (iPhone): se requiere iOS 13 o posterior.
- Android: Se requiere Versión Android 9,0 o posterior.
Con algunas excepciones, los dispositivos Android necesitarán permitir la información de localización para su uso en las conexiones Bluetooth.

Instalación de la app

1. Busque "Makita Tool Management" en App Store o Google Play.
También puede acceder desde el código QR de la siguiente figura.

Sitio de descarga de la app para smartphone

► Fig.3

2. Instale la app. Se creará un icono de "Makita Tool Management" en la pantalla de inicio.

Para PC

Requisitos del sistema

El PC tiene que satisfacer los siguientes requisitos para usar la app.

- Sistema operativo: Windows 10, o Windows 11

Instalación de la app

1. Acceda a la URL mostrada en la siguiente figura.

Sitio de descarga de la app para PC

► Fig.4

2. Descargue "MakitaToolManagementSetup_EN_v1020.exe" e instale la app.

Conexión del PC

Antes de iniciar la app, conecte este conector al PC.

► Fig.5

AVISO: No desconecte el cable USB mientras la lámpara de conexión USB de este conector esté parpadeando.

Instalación del cartucho de batería/herramienta

Accesorios opcionales

Antes de iniciar la app, instale el cartucho de batería y la herramienta a este conector.

Instalación o desmontaje del cartucho de batería

⚠PRECAUCIÓN: Instale siempre el cartucho de batería completamente hasta que el indicador rojo no se pueda ver. En caso contrario, podrá caerse accidentalmente de este conector, ocasionando heridas a usted o a alguien alrededor de usted.

⚠PRECAUCIÓN: Tenga cuidado de no pillarse el dedo entre el cartucho de batería y los terminales.

AVISO: Cargue el cartucho de batería antes de utilizarlo. Un cartucho de batería que no tenga capacidad restante no se podrá utilizar.

AVISO: Cuando vaya a retirar el cartucho de batería, asegúrese de que la herramienta instalada está completamente parada y que no hay comunicación con la app. De lo contrario, podrá producirse un mal funcionamiento.

Para instalar el cartucho de batería, alinee la lengüeta del cartucho de batería con la ranura del alojamiento y deslícelo hasta encajarlo en su sitio. Insértelo por completo hasta que se bloquee en su sitio con un pequeño chasquido. Si puede ver el indicador rojo como se muestra en la figura, no estará bloqueado completamente.

Para retirar el cartucho de batería, deslícelo de este conector mientras desliza el botón de la parte frontal del cartucho.

► Fig.6: 1. Indicador rojo 2. Botón 3. Cartucho de batería

Instalación o desmontaje de la herramienta

⚠️ PRECAUCIÓN: No ponga el dedo en el interruptor de la herramienta. De lo contrario, podrá ocasionar una puesta en marcha involuntaria y resultar en heridas.

AVISO: Cuando instale o retire la herramienta, asegúrese de que la herramienta instalada está completamente parada. De lo contrario, podrá producirse un mal funcionamiento.

AVISO: Cuando vaya a retirar la herramienta, asegúrese de que no hay comunicación con la app. De lo contrario, podrá producirse un mal funcionamiento.

NOTA: La herramienta no se pondrá en marcha con este conector colocado en ella.

Para instalar la herramienta, alinee la lengüeta de este conector con la ranura del alojamiento y deslícelo hasta encajarlo en su sitio. Insértelo por completo hasta que se bloquee en su sitio con un pequeño chasquido. Para retirar la herramienta, deslícela de este conector mientras desliza el botón de la parte frontal de este conector.

► Fig.7

SOLUCIÓN DE PROBLEMAS

Antes de solicitar una reparación, compruebe los puntos siguientes.

Estado de anomalía	Causa probable (mal funcionamiento)	Remedio
El conector no se puede encender. La lámpara de estado no se ilumina.	La capacidad de batería restante es baja.	Cargue el cartucho de batería.
	El cartucho de batería está instalado incorrectamente.	Retire el cartucho de batería una vez. Vuelva a instalar el cartucho de batería como se describe en este manual.
La lámpara de estado parpadea en rojo.	La herramienta está instalada incorrectamente.	Retire la herramienta una vez. Vuelva a instalar la herramienta como se describe en este manual.
	El cartucho de batería está instalado incorrectamente.	Retire el cartucho de batería una vez. Vuelva a instalar el cartucho de batería como se describe en este manual.
El conector no puede establecer la conexión con el smartphone/tablet.	La señal es débil.	Ponga el smartphone/tablet más cerca del conector.
	La conexión Bluetooth del smartphone/tablet está inhabilitada.	Active la conexión Bluetooth del smartphone/tablet.

Estado de anomalía	Causa probable (mal funcionamiento)	Remedio
La conexión USB con el PC no funciona.	El cable USB no está enchufado correctamente.	Asegúrese de que el cable USB está enchufado en el puerto USB firmemente.
	El cable está roto.	Utilice otro cable USB.
	El cable USB no tiene la especificación correcta.	Utilice el cable USB que se especifica en este manual. Consulte la sección para especificaciones.

Si el problema no se puede resolver incluso después de haber tomado las medidas de arriba, puede que el conector esté defectuoso. Póngase en contacto con un centro de servicio autorizado de Makita.

MANTENIMIENTO

⚠️ PRECAUCIÓN: Asegúrese siempre de que la herramienta está apagada y de que el cartucho de batería está retirado antes de intentar hacer una inspección o mantenimiento.

AVISO: No lave el conector con agua. Riesgo de mal funcionamiento.

AVISO: De vez en cuando, limpie el exterior de este conector utilizando un paño humedecido en agua jabonosa.

AVISO: No utilice nunca gasolina, bencina, disolvente, alcohol o similares. Podría producir descoloración, deformación o grietas.

Para mantener la SEGURIDAD y FIABILIDAD del producto, las reparaciones, y cualquier otra tarea de mantenimiento o ajuste deberán ser realizadas en centros de servicio o de fábrica autorizados por Makita, empleando siempre repuestos Makita.

ESPECIFICAÇÕES

Modelo:		ADP12
Bateria aplicável		BL4020 / BL4025 / BL4040 / BL4050F / BL4080F
Dimensões (C x L x A) (Sem a bateria e a ferramenta)		98 mm x 85 mm x 55 mm
Peso líquido (Sem a bateria e a ferramenta)		0,17 kg
Bluetooth	Versão Bluetooth®	5,1 (Bluetooth de baixo consumo)
	Alcance da transmissão	Aproximadamente 10 m
	Banda de frequência	2.402 MHz - 2.480 MHz
	Potência máxima de radiofrequência	0,11 dBm (EIRP)

- Devido a um programa contínuo de pesquisa e desenvolvimento, estas especificações estão sujeitas a alteração sem aviso prévio.
- As especificações podem variar de país para país.
- Algumas das baterias listadas acima poderão não estar disponíveis dependendo da sua região de residência.

Cabo USB aplicável

Utilize um cabo USB que corresponda ao terminal USB Tipo C.

Recomendamos um cabo USB com uma blindagem, uma aprovação USB-IF e um comprimento de até cerca de 1,8 m.

Fonte de alimentação ligada por cabo aplicável

O facto de a fonte de alimentação ligada por cabo ser aplicável ou não depende daquilo com que a ferramenta vai ser utilizada. Consulte as especificações da ferramenta.

Notificação sobre ferramentas não compatíveis

Algumas ferramentas não são compatíveis com este conector. Consulte o manual disponível na Web na figura para obter os números de modelo específicos.

Manual disponível na Web da aplicação para ADP12
► Fig.1

Símbolos

A seguir são apresentados os símbolos que podem ser utilizados para o equipamento. Certifique-se de que compreende o seu significado antes da utilização.



Leia o manual de instruções.



Apenas para utilização em interiores.



Ni-MH
Li-ion

Apenas para países da UE
Devido à presença de componentes perigosos no equipamento, os resíduos de equipamentos elétricos e eletrónicos, acumuladores e baterias podem ter um impacto negativo no meio ambiente e na saúde humana.

Não elimine aparelhos elétricos e eletrónicos ou baterias juntamente com resíduos domésticos!

De acordo com a Diretiva europeia relativa aos resíduos de equipamentos elétricos e eletrónicos, acumuladores e baterias, bem como a respetiva adaptação à legislação nacional, os resíduos de equipamentos elétricos e eletrónicos, acumuladores e baterias devem ser armazenados separadamente e entregues num ponto de recolha separado para resíduos municipais, que opere de acordo com os regulamentos de proteção ambiental.

Tal é indicado pelo símbolo de contendor de lixo com rodas barrado com uma cruz colocado no equipamento.

Declarações de conformidade

Apenas para os países europeus

As Declarações de conformidade estão incluídas no Anexo A deste manual de instruções.

AVISOS DE SEGURANÇA

Antes de utilizar este conector, leia todas as instruções e etiquetas de precaução neste conector, na bateria e no produto que utiliza este conector.

Siga todos os avisos e instruções de segurança. O incumprimento dos avisos e instruções pode originar choque elétrico, incêndio e/ou ferimentos graves.

Segurança da área de trabalho

1. **Não exponha este conector à chuva, à neve ou a condições de humidade.** Caso contrário, pode entrar água no conector e causar choque elétrico ou curto-circuito.
2. **Não opere este conector em atmosferas explosivas, tais como na presença de líquidos, gases ou poeira inflamáveis.** Risco de explosão ou incêndio.

Segurança elétrica

1. **Utilize um cabo USB que corresponda ao terminal USB Tipo C. Não modifique o cabo USB.** Caso contrário, pode ocorrer uma avaria.
2. **Não coloque o terminal em curto-circuito. Mantenha o terminal afastado de outros objetos metálicos, como agulhas ou fios, que possam estabelecer uma ligação entre terminais.** Colocar os terminais em curto-circuito um com o outro pode provocar queimaduras ou um incêndio.
3. **Utilize apenas este conector com os conjuntos de baterias especificamente designados. Não utilize a bateria modificada.** A utilização de quaisquer outros conjuntos de baterias poderá criar um risco de ferimentos e incêndio.

Assistência

1. **Solicite a manutenção deste conector por parte de um técnico de reparação qualificado utilizando apenas peças de substituição idênticas.** Tal garante que a segurança deste conector é mantida.

Não desmonte ou manipule este conector. Tal pode resultar num incêndio, em calor excessivo ou numa explosão.

Se observar qualquer anomalia neste conector, envie-o para inspeção e reparação nos centros de assistência autorizado ou de fábrica da Makita.

Se uma pessoa sem conhecimentos e competências de reparação reparar este produto, não só este não vai funcionar adequadamente, como também existe o risco de ocorrência de um acidente ou ferimentos.

Avisos de segurança adicionais

1. **Inspeccione se existem peças danificadas. Se ocorrer qualquer anomalia ou avaria, deixe imediatamente de utilizar este conector.** Se continuar a utilizá-lo, podem ocorrer fumo/incêndio, choque elétrico e ferimentos.
<Exemplos de anomalias/falhas>

- O cabo ou o terminal estão involuntariamente quentes.
- Existem riscos profundos ou deformação.
- Quando tocar no cabo USB, os condutores podem ou não estar energizados.
- Cheira a queimado.
- Existe uma sensação elétrica.

Se sentir qualquer problema, desligue imediatamente a fonte de alimentação do conector e contacte os centros de assistência autorizado ou de fábrica da Makita para inspeção e reparação.

2. **Se observar quaisquer anomalias como a geração de calor da bateria durante a utilização, remova e deixe imediatamente de utilizar a bateria.** A utilização continuada pode causar fumo, incêndio ou explosão.
3. **Não guarde nem utilize este conector em locais onde a temperatura pode atingir ou exceder 50 °C.**
Guarde num local seco e fora do alcance das crianças. Existe o risco de ocorrência de um acidente.
4. **Não toque nos terminais com as mãos molhadas.** Risco de choque elétrico.
5. **Não deixe cair este conector.** Risco de avaria.

GUARDE ESTAS INSTRUÇÕES – Este manual contém instruções de segurança e funcionamento importantes para este conector. Quando emprestar este conector, junte sempre este manual de instruções.

Avisos de segurança para ondas de rádio

1. **Não utilize este produto perto de dispositivos eletrónicos com controlo de alta precisão e sinais fracos. (Exemplos de dispositivos eletrónicos que requerem cautela: Um aparelho auditivo, um pacemaker, outros equipamentos médicos, um alarme de incêndio, uma porta automática e outros equipamentos de controlo automático).**
2. A onda de rádio deste produto não é assegurada em todos os ambientes. Nos seguintes casos, a onda de rádio pode não ser alcançada ou a onda de rádio pode ser interrompida.
 - Quando utilizar este produto em edifícios em que é utilizado betão, vergalhão ou metal.
 - Quando utilizar este produto perto de obstáculos.
 - Quando este produto sofre interferências de dispositivos de comunicação sem fios que utilizam a mesma frequência.
 - Quando utilizar este produto perto de equipamentos como fornos micro-ondas que geram um campo magnético, eletricidade estática ou interferência radioelétrica.

**RESPETIVAS MARCAS
COMERCIAIS e
MARCAS COMERCIAIS
REGISTADAS**



- A marca escrita e os logótipos Bluetooth® são marcas comerciais registadas, cuja propriedade pertence à Bluetooth SIG, Inc., e qualquer utilização de tais marcas pela Makita é efetuada sob licença. Outras marcas comerciais e nomes de marcas são os dos respetivos proprietários.

- Android e Google Play são marcas comerciais ou marcas comerciais registadas da Google LLC.
- iPhone é uma marca comercial da Apple Inc., registada nos EUA e em outros países.
- A marca comercial iPhone é utilizada sob licença da Aiphone Co., Ltd.
- A App Store é uma marca de serviço da Apple Inc.
- Todas as outras marcas comerciais neste documento são propriedade dos respetivos proprietários.
Tenha em atenção que as marcas ™ e © são omitidas em algumas passagens do texto principal.

DESCRIÇÃO DAS PEÇAS

► Fig.2

1. **Botão**
2. **Porta USB**
Para comunicação com um PC. Não pode ser utilizada para carregar dispositivos USB.
3. **Estado**

Lâmpada	Estado
Desligada	A fonte de alimentação (bateria/USB) não está ligada a este conector.
Acendida a verde	A fonte de alimentação está ligada a este conector.
A piscar a vermelho	Erro de leitura/carregamento de dados

4. **Modo**
Consulte o manual disponível na Web da aplicação para obter informações sobre cada modo.

Lâmpada	Modo
Desligada	Modo de comunicação (Comm)
Acendida a vermelho	Modo autónomo (Bateria)
Acendida a verde	Modo autónomo (Ferramenta)

5. Ligação USB

Lâmpada	Ligação USB
Desligada	A aplicação do PC não está ligada a este conector.
Acendida a verde	A aplicação do PC está ligada a este conector.
A piscar a verde (rapidamente)	A comunicar com a aplicação do PC

6. Ligação Bluetooth

Lâmpada	Ligação Bluetooth
Desligada	Não é gerada a onda de rádio.
Acendida a azul	A ligação está estabelecida.
A piscar a azul	É gerada a onda de rádio. (A ligação não está estabelecida.)
A piscar a azul (rapidamente)	A comunicar com a aplicação do smartphone

O QUE PODE FAZER COM ADP12

Para obter informações sobre como utilizar a aplicação, consulte o manual disponível na Web da aplicação para ADP12. (Consulte a Fig.1.)

Funcionalidades

- **Definição antifurto (código PIN)**
Pode definir o código PIN para cada ferramenta e bateria. Apenas é possível operar a combinação da ferramenta e bateria com PIN correspondentes.
- **Definição do temporizador da bateria**
É possível definir uma hora/data de expiração para as baterias de acordo com um programa de construção para que as baterias não sejam utilizadas após a construção ter terminado.
- **Assistência de serviço**
 - **Verificador de ferramenta**
É possível apresentar o estado da ferramenta e o histórico da operação.
 - **Verificador de bateria**
É possível apresentar o estado da bateria e o histórico da operação.
 - **Registo de bloco de notas**
Pode registar caracteres na ferramenta e na bateria (o número de caracteres que podem ser registados depende do modelo). Tal é utilizado para a gestão de ferramentas e o histórico de manutenção.

NOTA: Algumas funcionalidades não estão disponíveis dependendo da ferramenta.

NOTA: No verificador de ferramenta, o número do histórico de operação pode ser apresentado mesmo com a ferramenta nova em folha devido às inspeções na fábrica, etc.

ANTES DA UTILIZAÇÃO

Instalar a aplicação

- A aplicação é gratuita, mas pode ser cobrada uma taxa de comunicação separada ao transferir.
- A aplicação destina-se exclusivamente aos produtos da Makita.
- Utilize a aplicação após concordar com a versão mais recente dos termos de utilização da aplicação. Durante o primeiro arranque ou ao instalar a aplicação, será apresentado o ecrã dos termos de utilização.
- O ecrã da aplicação pode ser alterado ou ficar indisponível sem aviso prévio devido a futuras atualizações.

Para smartphones/tablets

Preparação com antecedência

É necessário um smartphone/tablet (iOS ou Android) para utilizar a aplicação.

- iOS (iPhone): é necessário o iOS 13 ou posterior.
- Android: É necessária a versão Android 9,0 ou posterior.
Com algumas exceções, tem de permitir o acesso a informações sobre a localização nos dispositivos Android para que estes possam ser utilizados para as ligações Bluetooth.

Instalar a aplicação

1. Procure "Makita Tool Management" na App Store ou no Google Play.
Pode também aceder a partir do código QR na seguinte figura.

Site de transferência da aplicação do smartphone

► Fig.3

2. Instale a aplicação. É criado um ícone para "Makita Tool Management" no ecrã inicial.

Para PC

Requisitos do sistema

O PC deve satisfazer os seguintes requisitos para utilizar a aplicação.

- SO: Windows 10 ou Windows 11

Instalar a aplicação

1. Aceda ao URL apresentado na seguinte figura.

Site de transferência da aplicação do PC

► Fig.4

2. Transfira "MakitaToolManagementSetup_EN_1020.exe" e instale a aplicação.

Ligar o PC

Antes de abrir a aplicação, ligue este conector ao PC.

► Fig.5

OBSERVAÇÃO: Não desligue o cabo USB enquanto a lâmpada de ligação USB deste conector estiver a piscar.

Instalar a bateria/ferramenta

Acessório opcional

Antes de iniciar a aplicação, instale a bateria e a ferramenta neste conector.

Instalar ou remover a bateria

PRECAUÇÃO: Instale sempre a bateria totalmente até o indicador vermelho não poder ser visto. Caso contrário, esta poderá cair deste conector acidentalmente provocando ferimentos em si mesmo ou em alguém próximo.

PRECAUÇÃO: Tenha cuidado para não prender o dedo entre a bateria e os terminais.

OBSERVAÇÃO: Carregue a bateria antes da utilização. Não é possível utilizar a bateria sem capacidade restante.

OBSERVAÇÃO: Quando remover a bateria, certifique-se de que a ferramenta instalada está completamente parada e que não existe comunicação com a aplicação. Caso contrário, pode ocorrer uma avaria.

Para instalar a bateria, alinhe a lingueta na bateria com a ranhura na caixa e deslize-a para a posição correta. Insira-a por completo até bloquear na posição correta com um pequeno clique. Se conseguir ver o indicador vermelho conforme apresentado na figura, não está completamente bloqueada.

Para remover a bateria, deslize-a para fora deste conector enquanto desliza o botão na frente da bateria.

► Fig.6: 1. Indicador vermelho 2. Botão 3. Bateria

Instalar ou remover a ferramenta

PRECAUÇÃO: Não coloque o dedo no interruptor da ferramenta. Caso contrário, o arranque não intencional pode causar ferimentos.

OBSERVAÇÃO: Quando instalar ou remover a ferramenta, certifique-se de que a ferramenta instalada está completamente parada. Caso contrário, pode ocorrer uma avaria.

OBSERVAÇÃO: Quando remover a ferramenta, certifique-se de que não existe comunicação com a aplicação. Caso contrário, pode ocorrer uma avaria.

NOTA: A ferramenta não aciona com este conector fixado.

Para instalar a ferramenta, alinhe a lingueta neste conector com a ranhura na caixa e deslize-a para a posição correta. Insira-a por completo até bloquear na posição correta com um pequeno clique.

Para remover a ferramenta, deslize-a para fora deste conector enquanto desliza o botão na frente deste conector.

► Fig.7

RESOLUÇÃO DE PROBLEMAS

Antes de solicitar reparações, verifique os pontos seguintes.

Estado da anomalia	Causa provável (avaria)	Correção
O conector não consegue ligar-se. A lâmpada de estado não acende.	A restante capacidade da bateria está fraca.	Carregue a bateria.
	A bateria não está instalada corretamente.	Remova a bateria uma vez. Volte a instalar a bateria conforme descrito neste manual.
A lâmpada de estado pisca a vermelho.	A ferramenta está indevidamente instalada.	Remova a ferramenta uma vez. Volte a instalar a ferramenta conforme descrito neste manual.
	A bateria não está instalada corretamente.	Remova a bateria uma vez. Volte a instalar a bateria conforme descrito neste manual.
O conector não consegue estabelecer a ligação com o smartphone/tablet.	O sinal é fraco.	Aproxime o smartphone/tablet do conector.
	A ligação Bluetooth do smartphone/tablet está desativada.	Ative a ligação Bluetooth do smartphone/tablet.
A ligação USB com o PC não funciona.	O cabo USB não está ligado de forma adequada.	Certifique-se de que o cabo USB está firmemente ligado na porta USB.
	O cabo está partido.	Utilize outro cabo USB.
	O cabo USB encontra-se fora das especificações.	Utilize o cabo USB que é especificado neste manual. Consulte a secção relativa às especificações.

Se não for possível resolver o problema mesmo após adotar as medidas acima mencionadas, o conector pode estar com defeito. Contacte os centros de assistência autorizados da Makita.

MANUTENÇÃO

PRECAUÇÃO: Certifique-se sempre de que a ferramenta se encontra desligada e de que a bateria foi retirada antes de executar qualquer inspeção ou manutenção.

OBSERVAÇÃO: Não lave o conector com água. Risco de avaria.

OBSERVAÇÃO: Limpe periodicamente o exterior deste conector com um pano humedecido em água com sabão.

OBSERVAÇÃO: Nunca utilize gasolina, benzina, diluente, álcool ou produtos semelhantes. Pode ocorrer a descoloração, deformação ou rachaduras.

Para manter a SEGURANÇA e a FIABILIDADE do produto, as reparações e qualquer outra manutenção ou ajuste devem ser levados a cabo pelos centros de assistência Makita autorizados ou pelos centros de assistência de fábrica, utilizando sempre peças de substituição Makita.

SPECIFIKATIONER

Model:		ADP12
Anvendelig akku		BL4020 / BL4025 / BL4040 / BL4050F / BL4080F
Mål (L x B x H) (Uden batteri og maskine)		98 mm x 85 mm x 55 mm
Nettovægt (Uden batteri og maskine)		0,17 kg
Bluetooth	Bluetooth®-version	5,1 (Bluetooth Low Energy)
	Transmissionsafstand	Cirka 10 m
	Frekvensbånd	2.402 MHz - 2.480 MHz
	Maks. radiofrekvenseffekt	0,11 dBm (EIRP)

- På grund af vores kontinuerlige forsknings- og udviklingsprogrammer kan hosstående specifikationer blive ændret uden varsel.
- Specifikationer kan variere fra land til land.
- Nogle af de ovenfor anførte akkuer er muligvis ikke tilgængelige, afhængigt af hvor du bor.

Anvendelig USB-kabel

Brug et USB-kabel, som matcher USB type-C-terminalen.

Vi anbefaler et USB-kabel med en afskærmning, USB-IF-godkendelse og en længde på op til ca. 1,8 m.

Anvendelig ledningstilsluttet strømkilde

Om den ledningstilsluttede strømkilde kan anvendes eller ej, afhænger af hvad maskinen skal anvendes sammen med. Se specifikationen for maskinen.

Besked om ikke-kompatible maskiner

Visse maskiner er ikke kompatible med denne konektor. Se webvejledningen i figuren for specifikke modelnumre.

App-vejledning for ADP12

► Fig.1

Symboler

Følgende viser de symboler, der muligvis anvendes til udstyret. Sørg for, at du forstår deres betydning før brugen.



Læs betjeningsvejledningen.



Kun til indendørs brug.



Kun for lande inden for EU
På grund af tilstedeværelsen af farlige komponenter i udstyret kan affald af elektrisk og elektronisk udstyr, akkumulatører og batterier have en negativ indvirkning på miljøet og folkesundheden.



Bortskaf ikke elektriske og elektroniske apparater eller batterier sammen med husholdningsaffald!

I overensstemmelse med EF-direktiv om affaldshåndtering af elektrisk og elektronisk udstyr og om akkumulatører og batterier og affaldsakkumulatører og -batterier, og i overensstemmelse med national lovgivning, skal brugt elektrisk udstyr, batterier og akkumulatører opbevares separat og leveres til et separat indsamlingssted for kommunalt affald, der er etableret i henhold til bestemmelserne om miljøbeskyttelse. Dette er angivet ved symbolet på den krydsede skrædespand, der er placeret på udstyret.

Overensstemmelseserklæringer

Kun for lande i Europa

Overensstemmelseserklæringerne er inkluderet i Bilag A i denne brugsanvisning.

SIKKERHEDSADVARSLER

Inden du anvender denne konektor, skal du læse alle instruktioner og advarselmærkater på denne konektor, akkuen og produktet, som anvender denne konektor.

Overhold alle sikkerhedsadvarsler og instruktioner. Hvis advarslerne og instruktionerne ikke overholdes, kan det medføre elektrisk stød, brand og/eller alvorlig personskade.

Sikkerhed i arbejdsområdet

1. **Undlad at udsætte denne konektor for regn, sne eller våde forhold.** Ellers kan der muligvis komme vand ind i konnektoren og forårsage elektrisk stød eller kortslutning.
2. **Brug aldrig denne konektor i eksplosive atmosfærer, såsom ved tilstedeværelse af brændbare væsker, gasser eller støv.** Risiko for eksplosion eller brand.

Elektrisk sikkerhed

1. **Brug et USB-kabel, som matcher USB type-C-terminalen. Modifier ikke USB-kablet.** Ellers kan der opstå funktionsfejl.
2. **Kortslut ikke terminalen. Hold terminalen væk fra andre metalgenstande, såsom nåle eller ledninger, som kan skabe en forbindelse fra én terminal til en anden.** Kortslutning af terminalerne kan forårsage forbrændinger eller brand.
3. **Brug kun denne konektor sammen med de specifikt beregnede batteripakker. Brug ikke det modificerede batteri.** Brug af andre batteripakker kan medføre risiko for personskade og brand.

Service

1. **Få denne konektor serviceeret af en kvalificeret reparatør kun ved brug af identiske reservedele.** Dette vil sikre, at denne konnektors sikkerhed opretholdes.
Undlad at adskille eller ændre denne konektor. Det kan muligvis resultere i en brand, overdreven varme eller eksplosion.
Hvis du bemærker noget unormalt ved denne konektor, skal du sende den til et autoriseret Makita-servicecenter eller -fabriksservicecenter for eftersyn og reparation.
Hvis en person uden viden og færdigheder vedrørende reparation reparerer dette produkt, vil det ikke bare fungere utilstrækkeligt, men der er også risikoen for en ulykke eller tilskadekomst.

Yderligere sikkerhedsadvarsler

1. **Inspicer for beskadigede dele. Hvis der opstår noget unormalt eller funktionsfejl, skal du straks stoppe brugen af denne konektor.** Hvis du fortsætter med at anvende den, kan der muligvis opstå røg/brand, elektrisk stød og tilskadekomst.
<Eksempler på anomaliteter/fejl>
 - Kablet eller terminalen er unormalt varm.
 - Der er dybe ridser eller deformation.
 - Når du rører USB-kablet, kan ledere muligvis, eller muligvis ikke, blive energiladet.
 - Det lugter brændt.
 - Der er en elektrisk fornemmelse.**Hvis du føler noget problem, skal du straks afbryde strømkilden fra konnektoren og kontakte et autoriseret Makita-servicecenter eller -fabriksservicecenter angående eftersyn og reparation.**
2. **Hvis du bemærker nogen anomaliteter, som fx varmeudvikling af akkuen under brug, skal du straks fjerne og stoppe brugen af akkuen.** Fortsat brug kan muligvis forårsage røg, brand eller eksplosion.

3. **Opbevar og brug ikke denne konektor på steder, hvor temperaturen muligvis kan nå eller overstige 50 °C.**
Opbevar på et tørt sted, der er utilgængeligt for børn. Der er en risiko for en ulykke.
4. **Undlad at berøre terminalerne med våde hænder.** Risiko for elektrisk stød.
5. **Tab ikke denne konektor.** Risiko for funktionsfejl.

GEM DISSE INSTRUKTIONER – Denne vejledning indeholder vigtige sikkerheds- og brugsinstruktioner til denne konektor.

Ved udlån af denne konektor skal du altid vedlægge denne brugervejledning.

Sikkerhedsadvarsler for radiobølger

1. **Brug ikke dette produkt i nærheden af elektronisk udstyr med højpræcisionskontrol og svage signaler. (Eksempler på elektronisk udstyr som kræver forsigtighed: Et høreapparat, en pacemaker, andet medicinsk apparatur, en brandalarm, en automatisk dør eller andet automatisk kontrolapparat).**
2. Radiobølgen fra dette produkt er ikke garanteret i alle miljøer. I de følgende tilfælde når radiobølgen muligvis ikke langt nok eller radiobølgen kan muligvis blive afbrudt.
 - Når dette produkt anvendes i bygninger, hvor der er anvendt beton, armeringsjern eller metal.
 - Når dette produkt anvendes i nærheden af forhindringer.
 - Når dette produkt interfereres med trådløst kommunikationsudstyr, som anvender den samme frekvens.
 - Når dette produkt anvendes i nærheden af apparaturene, som fx mikrobølgeovne der genererer magnetfelter, statisk elektricitet eller radiointerferens.

RESPEKTIVE VAREMÆRKER og REGISTREREDE VAREMÆRKER



- Bluetooth®-ordmærket og logoerne er registrerede varemærker, der tilhører Bluetooth SIG, Inc., og enhver brug af sådanne mærker fra Makitas side sker under licens. Andre varemærker og varebetegnelse tilhører de respektive ejere.
- Android og Google Play er varemærker eller registrerede varemærker tilhørende Google LLC.
- iPhone er et varemærke tilhørende Apple Inc., registreret i USA og andre lande.
- iPhone-varemærket anvendes under licens fra Aiphone Co., Ltd.
- App Store er et tjenestemærke tilhørende Apple Inc.
- Alle andre varemærker i dette dokument tilhører deres respektive ejere.
Bemærk, at mærkerne ™ og ® er udeladt i noget af hovedteksten.

BESKRIVELSE AF DELENE

► Fig.2

1. **Knap**
2. **USB-port**
Til kommunikation med en pc. Kan ikke anvendes til opladning af USB-udstyr.
3. **Status**

Lampe	Status
Slukket	Strømkilde (akku/USB) er ikke tilsluttet til denne konektor.
Lyser grønt	Strømkilde er tilsluttet til denne konektor.
Blinker rødt	Datalæsning/ indlæsningsfejl

4. **Tilstand**
Se appens webvejledning angående detaljer om hver tilstand.

Lampe	Tilstand
Slukket	Kommunikationstilstand (Komm)
Lyser rødt	Separat tilstand (Batteri)
Lyser grønt	Separat tilstand (Maskine)

5. USB-tilslutning

Lampe	USB-tilslutning
Slukket	Pc-app er ikke tilsluttet til denne konektor.
Lyser grønt	Pc-app er tilsluttet til denne konektor.
Blinker grønt (hurtigt)	Kommunikerer med pc-app

6. Bluetooth-tilslutning

Lampe	Bluetooth-tilslutning
Slukket	Der genereres ikke radiobølge.
Lyser blå	Der er oprettet tilslutning.
Blinker blå	Der genereres radiobølge. (Der er ikke oprettet tilslutning.)
Blinker blå (hurtigt)	Kommunikerer med smartphone-app

HVAD DU KAN GØRE MED ADP12

For detaljer om hvordan du kan anvende appen, skal du se appens webvejledning for ADP12. (Se fig.1.)

Funktioner

- **Indstilling for tyverisikring (PIN-kode)**
Du kan indstille PIN-koden for hver maskine og akku. Kun kombinationen af maskinen og akkuen med matchende PINs kan betjenes.
- **Batteritimerindstilling**
Der kan indstilles en udløbstid/-dato til akkuer i overensstemmelse med en byggeplan, så akkuerne ikke kan anvendes, efter byggeriet er færdigt.
- **Serviceassistance**
 - **Maskinkontrol**
Maskinstatus og betjeningshistorik kan vises.
 - **Batterikontrol**
Batteristatus og betjeningshistorik kan vises.
 - **Notepadregistrering**
Du kan registrere tegn i maskinen og akkuen (antallet af tegn, som kan registreres, afhænger af modellen). Det anvendes til maskinhåndtering og vedligeholdelseshistorik.

BEMÆRK: Visse funktioner er ikke til rådighed afhængigt af maskinen.

BEMÆRK: I maskinkontrollen vises antallet af betjeningshistorik muligvis, selv med den helt nye maskine, pga. eftersynene på fabrikken osv.

INDEN BRUG

Installering af appen

- Denne app er gratis, men der opkræves muligvis et separat kommunikationsgebyr ved downloading.
- Appen er udelukkende til Makita-produkter.
- Brug appen efter accept af brugsbetingelserne for den seneste version af applikationen. Efter første opstart eller installering af appen, vises brugsbetingelserne på skærmen.
- Applikationsskærmen kan muligvis blive ændret eller blive utilgængelig uden varsel pga. fremtidige opdateringer.

Til smartphones/tabletter

Klargøring på forhånd

En smartphone/tablet (iOS eller Android) er nødvendig for anvendelse af appen.

- iOS (iPhone): iOS 13 eller senere er nødvendig.
- Android: Android-version 9,0 eller senere er nødvendig.
Med visse undtagelser behøver Android-udstyr adgang til lokationsoplysninger for at blive brugt til Bluetooth-tilslutninger.

Installerer af appen

1. Søg efter "Makita Tool Management" på App Store eller Google Play.
Du kan også få adgang fra QR-koden i den følgende figur.

Downloadside for smartphone-app

► Fig.3

2. Installer appen. Der vil blive oprettet et "Makita Tool Management"-ikon på hjemmeskærmen.

For pc'er

Systemkrav

Pc'en skal leve op til følgende krav for at anvende appen.

- OS: Windows 10, eller Windows 11

Installerer af appen

1. Besøg den URL som vises i følgende figur.

Downloadside for pc-app

► Fig.4

2. Download "MakitaToolManagementSetup_EN_v1020.exe" og installer appen.

Tilslutning af pc'en

Inden du starter appen, skal du tilslutte denne konektor til pc'en.

► Fig.5

BEMÆRKNING: Afbryd ikke USB-kablet, mens USB-tilslutningslampen på denne konektor blinker.

Montering af akkuen/maskinen

Ekstraudstyr

Inden du starter appen, skal du installere akkuen og maskinen til denne konektor.

Montering eller afmontering af akkuen

⚠FORSIGTIG: Monter altid akkuen helt, indtil den røde indikator ikke længere er synlig. Hvis ikke, kan den falde ud af denne konektor ved et uheld og forårsage personskade på dig eller nogen omkring dig.

⚠FORSIGTIG: Pas på ikke at få din finger i klemme mellem akkuen og terminalerne.

BEMÆRKNING: Oplad akkuen inden brug. Akkuen, som ikke har nogen resterende ladning, kan ikke anvendes.

BEMÆRKNING: Når du fjerner akkuen, skal du sikre dig, at den monterede maskine er helt stoppet, og der ikke er nogen kommunikation med appen. Ellers kan der opstå funktionsfejl.

For at montere akkuen skal du justere tungen på akkuen med rillen i huset og skubbe den på plads. Indsæt den hele vejen, indtil den låses på plads med et lille klik. Hvis du kan se den røde indikator, som vist i figuren, er den ikke helt låst.

For at afmontere akkuen skal du skubbe den fra denne konektor, mens du skubber knappen på forsiden af akkuen.

► Fig.6: 1. Rød indikator 2. Knap 3. Akku

Montering eller afmontering af maskine

⚠FORSIGTIG: Placer ikke fingeren på kontakten af maskinen. Ellers kan det medføre utilsigtet start og tilskadekomst.

BEMÆRKNING: Når du monterer eller afmonterer maskinen, skal du sikre dig, at den monterede maskine er helt stoppet. Ellers kan der opstå funktionsfejl.

BEMÆRKNING: Når maskinen afmonteres, skal du sikre dig, at der ikke er nogen kommunikation med appen. Ellers kan der opstå funktionsfejl.

BEMÆRK: Maskinen drives ikke med denne konektor monteret.

For at montere maskinen skal du justere tungen på denne konektor med rillen i huset og skubbe den på plads. Indsæt den hele vejen, indtil den låses på plads med et lille klik. For at afmontere maskinen skal du skubbe den fra denne konektor, mens du skubber knappen på forsiden af denne konektor.

► Fig.7

FEJLFINDING

Tjek følgende punkter, før du beder om reparation.

Unormal tilstand	Sandsynlig årsag (fejl)	Afhjælpning
Konnektoren kan ikke tænde. Lampen for status lyser ikke.	Den resterende batteriladning er lav.	Oplad akkuen.
	Akkuen er installeret forkert.	Afmonter akkuen én gang. Genmonter akkuen som beskrevet i denne vejledning.
Statuslampen blinker rødt.	Maskinen er monteret forkert.	Fjern én gang maskinen. Genmonter maskinen som beskrevet i denne vejledning.
	Akkuen er installeret forkert.	Afmonter akkuen én gang. Genmonter akkuen som beskrevet i denne vejledning.
Konnektoren kan ikke oprette forbindelse med smartphonen/tabletten.	Signalet er svagt.	Placer smartphonen/tabletten tættere på konnektoren.
	Bluetooth-tilslutning på smartphonen/tabletten er deaktiveret.	Aktiver Bluetooth-tilslutningen på smartphonen/tabletten.
USB-tilslutning med pc fungerer ikke.	USB-kablet er ikke sat ordentligt i.	Sikr dig, at USB-kablet er sat ordentligt ind i USB-porten.
	Kablet er gået i stykker.	Brug et andet USB-kabel.
	USB-kablet er uden for specifikationen.	Brug det USB-kabel, som er specificeret i denne vejledning. Se afsnittet for specifikationer.

Hvis problemet ikke kan løses, selv efter foranstaltningerne ovenfor er truffet, er konnektoren muligvis defekt. Kontakt et autoriseret Makita-servicecenter.

VEDLIGEHOELDELSE

⚠️ FORSIGTIG: Vær altid sikker på, at værktøjet er slukket, og at akkuen er taget ud, inden De begynder at udføre inspektion eller vedligeholdelse.

BEMÆRKNING: Vask ikke konnektoren med vand. Risiko for funktionsfejl.

BEMÆRKNING: Aftør fra tid til anden ydersiden af denne konnektor med en klud, som er fugtet med sæbevand.

BEMÆRKNING: Anvend aldrig benzin, rensebenzin, fortynder, alkohol og lignende. Det kan medføre misfarvning, deformation eller revner.

For at opretholde produktets SIKKERHED og PALIDELIGHED må reparation, vedligeholdelse eller justering kun udføres af et autoriseret Makita servicecenter eller fabrikksservicecenter med anvendelse af Makita reservedele.

ΠΡΟΔΙΑΓΡΑΦΕΣ

Μοντέλο:		ADP12
Ισχύουσα κασέτα μπαταριών		BL4020 / BL4025 / BL4040 / BL4050F / BL4080F
Διαστάσεις (Μ x Π x Υ) (Χωρίς την μπαταρία και το εργαλείο)		98 mm x 85 mm x 55 mm
Καθαρό βάρος (Χωρίς την μπαταρία και το εργαλείο)		0,17 kg
Bluetooth	Έκδοση Bluetooth®	5,1 (Bluetooth χαμηλής ενέργειας)
	Εύρος μετάδοσης	Περίπου 10 m
	Ζώνη συχνοτήτων	2.402 MHz - 2.480 MHz
	Μέγιστη ισχύς ραδιοσυχνοτήτων	0,11 dBm (EIRP)

- Λόγω του συνεχιζόμενου προγράμματος έρευνας και ανάπτυξης, οι προδιαγραφές αυτές υπόκεινται σε αλλαγές χωρίς προειδοποίηση.
- Τα τεχνικά χαρακτηριστικά μπορεί να διαφέρουν από χώρα σε χώρα.
- Ορισμένες από τις κασέτες μπαταριών που αναγράφονται παραπάνω μπορεί να μην είναι διαθέσιμες, ανάλογα με την περιοχή κατοικίας σας.

Εφαρμόσιμο καλώδιο USB

Χρησιμοποιήστε ένα καλώδιο USB που ταιριάζει στον ακροδέκτη USB τύπου C. Συνιστάται καλώδιο USB με θωράκιση, έγκριση USB-IF και μήκος μέχρι περίπου 1,8 m.

Εφαρμόσιμη ενσύρματη πηγή τροφοδοσίας

Εάν εφαρμόζεται η πηγή τροφοδοσίας που συνδέεται με καλώδιο, ή όχι, εξαρτάται από το εργαλείο με το οποίο θα χρησιμοποιηθεί. Ανατρέξτε στις προδιαγραφές του εργαλείου.

Ειδοποίηση για μη συμβατά εργαλεία

Μερικά εργαλεία δεν είναι συμβατά με αυτή τη συνδετική μονάδα. Για τους ειδικούς αριθμούς μοντέλων, ανατρέξτε στο εγχειρίδιο στο web στην εικόνα.

Εγχειρίδιο της εφαρμογής στο web για το ADP12
► Εικ.1

Σύμβολα

Παρακάτω παρουσιάζονται τα σύμβολα που μπορούν να χρησιμοποιηθούν για τον εξοπλισμό. Βεβαιωθείτε ότι κατανοείτε τη σημασία τους πριν από τη χρήση.



Διαβάστε το εγχειρίδιο οδηγιών.



Μόνο για χρήση σε εσωτερικούς χώρους.



Μόνο για τις χώρες της ΕΕ
Λόγω της παρουσίας των επικίνδυνων συστατικών μερών στον εξοπλισμό, ο απόβλητος ηλεκτρικός και ηλεκτρονικός εξοπλισμός, οι συσσωρευτές και οι μπαταρίες μπορεί να έχουν αρνητική επίδραση στο περιβάλλον και την ανθρώπινη υγεία. Μην απορρίπτετε τις ηλεκτρικές και ηλεκτρονικές συσκευές ή μπαταρίες μαζί με τα οικιακά απορρίμματα!
Σύμφωνα με την Ευρωπαϊκή Οδηγία για τον απόβλητο ηλεκτρικό και ηλεκτρονικό εξοπλισμό και για τους συσσωρευτές και μπαταρίες και τους απόβλητους συσσωρευτές και μπαταρίες, καθώς και την προσαρμογή τους στην εθνική νομοθεσία, ο απόβλητος ηλεκτρικός εξοπλισμός, οι μπαταρίες και οι συσσωρευτές θα πρέπει να αποθηκεύονται ξεχωριστά και να παραδίδονται σε ξεχωριστό σημείο συλλογής για δημοτικά απόβλητα, το οποίο λειτουργεί σύμφωνα με τους κανονισμούς για την προστασία του περιβάλλοντος. Αυτό υποδεικνύεται από το σύμβολο του διαγραμμένου τροχοφόρου κάδου που βρίσκεται αναρτημένο επάνω στον εξοπλισμό.

Δήλωση Συμμόρφωσης

Μόνο για χώρες της Ευρώπης

Οι Δηλώσεις Συμμόρφωσης περιλαμβάνονται στο Παράρτημα Α στο παρόν εγχειρίδιο οδηγιών.

ΠΡΟΕΙΔΟΠΟΙΗΣΕΙΣ ΑΣΦΑΛΕΙΑΣ

Πριν χρησιμοποιήσετε αυτή τη συνδετική μονάδα, διαβάστε όλες τις οδηγίες και τις επισημάνσεις προσοχής που συνοδεύουν αυτή τη συνδετική μονάδα, την κασέτα μπαταριών και το προϊόν που χρησιμοποιεί αυτή τη συνδετική μονάδα.

Ακολουθήστε τις προειδοποιήσεις για την ασφάλεια και τις οδηγίες. Η μη τήρηση των προειδοποιήσεων και οδηγιών μπορεί να οδηγήσει σε ηλεκτροπληξία, πυρκαγιά ή/και σοβαρό τραυματισμό.

Ασφάλεια στο χώρο εργασίας

1. **Μην εκθέτετε αυτή τη συνδετική μονάδα σε βροχή, χιόνι ή υγρές συνθήκες.** Διαφορετικά, μπορεί να εισχωρήσει νερό μέσα στη συνδετική μονάδα και να προκληθεί ηλεκτροπληξία ή βραχυκύκλωμα.
2. **Μην θέτετε αυτή τη συνδετική μονάδα σε λειτουργία σε κερηκτικές ατμόσφαιρες, όπως παρουσία εύφλεκτων υγρών, αερίων ή σκόνης.** Κίνδυνος έκρηξης ή φωτιάς.

Ηλεκτρική ασφάλεια

1. **Χρησιμοποιήστε ένα καλώδιο USB που ταιριάζει στον ακροδέκτη USB τύπου C. Μην τροποποιήσετε το καλώδιο USB.** Διαφορετικά, μπορεί να προκύψει δυσλειτουργία.
2. **Μην βραχυκυκλώνετε τον ακροδέκτη.** Κρατήστε τον ακροδέκτη μακριά από άλλα μεταλλικά αντικείμενα, όπως βελόνες ή σύρματα, τα οποία μπορούν να δημιουργήσουν σύνδεση από τον έναν ακροδέκτη στον άλλον. Το βραχυκύκλωμα των ακροδεκτών μπορεί να προκαλέσει εγκαύματα ή φωτιά.
3. **Να χρησιμοποιείτε αυτή τη συνδετική διάταξη μόνο με ειδικά καθορισμένες κασέτες μπαταριών. Μην χρησιμοποιήσετε την τροποποιημένη μπαταρία.** Η χρήση κάθε άλλης κασέτας μπαταριών μπορεί να δημιουργήσει κίνδυνο τραυματισμού ή πυρκαγιάς.

Σέρβις

1. **Να φροντίζετε το σέρβις αυτής της συνδετικής μονάδας να γίνεται από αρμόδιο επαγγελματία χρησιμοποιώντας μόνο γνήσια ανταλλακτικά.** Έτσι θα είστε σίγουροι για τη διατήρηση της ασφάλειας αυτής της συνδετικής μονάδας. **Μην υποναρμολογείτε ή παραβιάζετε αυτή τη συνδετική μονάδα.** Μπορεί να έχει ως αποτέλεσμα πυρκαγιά, υπερθέρμανση ή έκρηξη. **Αν παρατηρήσετε οποιαδήποτε ανωμαλία με αυτή τη συνδετική μονάδα, στείλετε τη σε εξουσιοδοτημένα ή εργοστασιακά κέντρα σέρβις της Makita για επιθεώρηση ή επισκευή.** Αν ένα άτομο χωρίς γνώσεις και δεξιότητες στις επισκευές επισκευάσει αυτό το προϊόν, όχι μόνον δεν θα λειτουργεί επαρκώς αλλά υπάρχει και κίνδυνος ατυχήματος ή τραυματισμού.

Πρόσθετες προειδοποιήσεις ασφάλειας

1. **Επιθεωρήστε για κατεστραμμένα μέρη. Αν συμβεί ανωμαλία ή δυσλειτουργία, σταματήστε τη χρήση αυτής της συνδετικής διάταξης αμέσως.** Αν συνεχίσετε να τη χρησιμοποιείτε, μπορεί να προκύψει καπνός/φωτιά, ηλεκτροπληξία και τραυματισμός.
<Παραδείγματα ανωμαλιών/αποτυχιών>
 - Το καλώδιο ή ο ακροδέκτης είναι ασυνήθιστα ζεστά.
 - Υπάρχουν βαθιές γρατσουνιές ή παραμόρφωση.
 - Όταν αγγίζετε το καλώδιο USB, οι αγωγοί μπορεί να ενεργοποιούνται ή όχι.
 - Μυρίζει καμένο.
 - Υπάρχει αίσθηση ηλεκτρισμού.

Αν διαπισθάνετε οποιοδήποτε πρόβλημα, απουσυνδέστε αμέσως την πηγή τροφοδοσίας από τη συνδετική διάταξη και επικοινωνήστε με εξουσιοδοτημένα ή εργοστασιακά κέντρα σέρβις της Makita για επιθεώρηση και επισκευή.

2. **Αν παρατηρήσετε οποιοσδήποτε ανωμαλίες, όπως παραγωγή θερμότητας από την κασέτα μπαταριών κατά τη διάρκεια της χρήσης, αφαιρέστε αμέσως και διακόψτε τη χρήση της κασέτας μπαταριών.** Η συνεχής χρήση μπορεί να προκαλέσει καπνό, φωτιά ή έκρηξη.
3. **Μην αποθηκεύετε και μην χρησιμοποιείτε αυτή τη συνδετική μονάδα σε τοποθεσίες όπου η θερμοκρασία μπορεί να φτάσει ή να ξεπεράσει τους 50°C.** Φυλάξτε σε ένα στεγνό μέρος και μακριά από παιδιά. Υπάρχει κίνδυνος ατυχήματος.
4. **Μην αγγίζετε τους ακροδέκτες με βρεγμένα χέρια.** Κίνδυνος ηλεκτροπληξίας.
5. **Μην ρίψτε κάτω αυτή τη συνδετική μονάδα.** Κίνδυνος δυσλειτουργίας.

ΦΥΛΑΞΤΕ ΑΥΤΕΣ ΤΙΣ ΟΔΗΓΙΕΣ – Το παρόν εγχειρίδιο περιέχει σημαντικές οδηγίες για την ασφάλεια και τη λειτουργία αυτής της συνδετικής μονάδας. Όταν δανειστείτε σε κάποιον αυτή τη συνδετική μονάδα, πάντα να προσαρτάτε αυτό το εγχειρίδιο οδηγιών.

Προειδοποιήσεις ασφάλειας για ραδιοκύματα

1. **Μην χρησιμοποιείτε αυτό το προϊόν κοντά σε ηλεκτρονικές συσκευές με έλεγχο υψηλής ακρίβειας και αδύναμα σήματα.** (Παραδείγματα ηλεκτρονικών συσκευών που απαιτούν προσοχή: ακουστικά βαρηκοΐας, βηματοδότης, άλλος ιατροτεχνολογικός εξοπλισμός, συναγερμός πυρκαγιάς, αυτόματα πόρτα και άλλος εξοπλισμός με αυτόματο έλεγχο).
2. Τα ραδιοκύματα αυτού του προϊόντος δεν είναι εγγυημένα σε όλα τα περιβάλλοντα. Στις ακόλουθες περιπτώσεις, τα ραδιοκύματα μπορεί να μην φτάσουν ή τα ραδιοκύματα μπορεί να διακοπούν.
 - Όταν χρησιμοποιείτε αυτό το προϊόν σε κτίρια όπου χρησιμοποιείται τσιμέντο, ράβδοι οπλισμού ή μέταλλο.
 - Όταν χρησιμοποιείτε αυτό το προϊόν κοντά σε εμπόδια.

- Όταν αυτό το προϊόν παρεμβάλλεται με συσκευές ασύρματης επικοινωνίας που χρησιμοποιούν την ίδια συχνότητα.
- Όταν χρησιμοποιείτε αυτό το προϊόν κοντά σε εξοπλισμό, όπως φούρνους μικροκυμάτων, που παράγει μαγνητικό πεδίο, στατικό ηλεκτρισμό ή ραδιοπαραβολή.

ΑΝΤΙΣΤΟΙΧΑ ΕΜΠΟΡΙΚΑ ΣΗΜΑΤΑ ΚΑΙ ΣΗΜΑΤΑ ΚΑΤΑΤΕΘΕΝΤΑ



- Το λεκτικό σήμα και τα λογότυπα Bluetooth® είναι σήματα κατατεθέντα που ανήκουν στην Bluetooth SIG, Inc. και οποιαδήποτε χρήση αυτών των σημάτων από την Makita γίνεται κατόπιν άδειας. Τα λοιπά εμπορικά σήματα και εμπορικές επωνυμίες ανήκουν στους αντίστοιχους κατόχους τους.
- Οι επωνυμίες Android και Google Play είναι εμπορικά σήματα ή σήματα κατατεθέντα της Google LLC.
- Η επωνυμία iPhone είναι εμπορικό σήμα της Apple Inc., καταχωρισμένο στις Η.Π.Α. και σε άλλες χώρες.
- Το εμπορικό σήμα iPhone χρησιμοποιείται κατόπιν άδειας χρήσης από την Airphone Co., Ltd.
- Το App Store αποτελεί σήμα υπηρεσίας της Apple Inc.
- Όλα τα άλλα εμπορικά σήματα στο παρόν έγγραφο αποτελούν ιδιοκτησία των αντίστοιχων κατόχων τους.
Να γνωρίζετε ότι τα σήματα ™ και ® παραλείπονται σε κάποια τμήματα του κυρίως κειμένου.

ΠΕΡΙΓΡΑΦΗ ΕΞΑΡΤΗΜΑΤΩΝ

► Εικ.2

1. **Κουμπί**
2. **Θύρα USB**
Για επικοινωνία με Η/Υ. Δεν μπορεί να χρησιμοποιείται για τη φόρτιση συσκευών USB.
3. **Κατάσταση**

Λυχνία	Κατάσταση
Σβηστή	Δεν είναι συνδεδεμένη πηγή τροφοδοσίας (κασέτα μπαταριών/USB) σε αυτή τη συνδετική μονάδα.
Αναμμένη με πράσινο χρώμα	Είναι συνδεδεμένη πηγή τροφοδοσίας σε αυτή τη συνδετική μονάδα.
Αναβοσβήνει με κόκκινο χρώμα	Σφάλμα ανάγνωσης/φόρτωσης δεδομένων

4. Τρόπος λειτουργίας

Για λεπτομέρειες σχετικά με κάθε τρόπο λειτουργίας, ανατρέξτε στο εγχειρίδιο της εφαρμογής στο web.

Λυχνία	Τρόπος λειτουργίας
Σβηστή	Τρόπος λειτουργίας επικοινωνίας (Comm)
Αναμμένη με κόκκινο χρώμα	Αυτόνομος τρόπος λειτουργίας (Μπαταρία)
Αναμμένη με πράσινο χρώμα	Αυτόνομος τρόπος λειτουργίας (Εργαλείο)

5. Σύνδεση USB

Λυχνία	Σύνδεση USB
Σβηστή	Δεν είναι συνδεδεμένη εφαρμογή Η/Υ σε αυτή τη συνδετική μονάδα.
Αναμμένη με πράσινο χρώμα	Είναι συνδεδεμένη εφαρμογή Η/Υ σε αυτή τη συνδετική μονάδα.
Αναβοσβήνει με πράσινο χρώμα (γρήγορα)	Επικοινωνία με εφαρμογή Η/Υ

6. Σύνδεση Bluetooth

Λυχνία	Σύνδεση Bluetooth
Σβηστή	Δεν παράγονται ραδιοκύματα.
Αναμμένη με μπλε χρώμα	Δημιουργήθηκε σύνδεση.
Αναβοσβήνει με μπλε χρώμα	Παράγονται ραδιοκύματα. (Δεν δημιουργήθηκε σύνδεση.)
Αναβοσβήνει με μπλε χρώμα (γρήγορα)	Επικοινωνία με εφαρμογή smartphone

ΤΙ ΜΠΟΡΕΙΤΕ ΝΑ ΚΑΝΕΤΕ ΜΕ ΤΟ ADP12

Για λεπτομέρειες σχετικά με τον τρόπο χρήσης της εφαρμογής, ανατρέξτε στο εγχειρίδιο της εφαρμογής στο web για το ADP12. (Ανατρέξτε στην Εικ.1.)

Χαρακτηριστικά

- **Αντικλεπτική ρύθμιση (κωδικός PIN)**
Μπορείτε να ρυθμίσετε τον κωδικό PIN για κάθε εργαλείο και κασέτα μπαταριών. Μπορεί να λειτουργεί μόνο ο συνδυασμός εργαλείου και κασέτας μπαταριών με αντίστοιχα PIN.
- **Ρύθμιση χρονοδιακόπτη μπαταρίας**
Μπορεί να ρυθμιστεί μια ώρα/ημερομηνία στις κασέτες μπαταριών ανάλογα με το πρόγραμμα κατασκευής, ώστε οι κασέτες να μην μπορούν να χρησιμοποιηθούν μετά την ολοκλήρωση της κατασκευής.

• Βοήθεια σέρβις

- **Έλεγχος εργαλείου**
Μπορεί να εμφανιστεί η κατάσταση και το ιστορικό λειτουργίας του εργαλείου.
- **Έλεγχος μπαταρίας**
Μπορεί να εμφανιστεί η κατάσταση και το ιστορικό λειτουργίας της μπαταρίας.
- **Καταχώριση στο Σημειωματάριο**
Μπορείτε να καταχωρίζετε χαρακτηριστές στο εργαλείο και στην κασέτα μπαταριών (ο αριθμός των χαρακτηριστών που μπορούν να καταχωριστούν εξαρτάται από το μοντέλο). Χρησιμοποιείται για τη διαχείριση του εργαλείου και το ιστορικό συντήρησης.

ΠΑΡΑΤΗΡΗΣΗ: Ανάλογα με το εργαλείο, δεν είναι διαθέσιμα μερικά χαρακτηριστικά.

ΠΑΡΑΤΗΡΗΣΗ: Στον έλεγχο εργαλείου, μπορεί να εμφανίζεται αριθμός στο ιστορικό εργασιών ακόμη και σε ένα ολοκαίνουριο εργαλείο λόγω των επιθεωρήσεων στο εργοστάσιο, κτλ.

ΠΡΙΝ ΑΠΟ ΤΗ ΧΡΗΣΗ

Εγκατάσταση της εφαρμογής

- Η εφαρμογή είναι δωρεάν, αλλά μπορεί να υπάρχει μια ξεχωριστή χρέωση επικοινωνιών κατά τη λήψη.
- Η εφαρμογή είναι αποκλειστική για προϊόντα της Makita.
- Χρησιμοποιήστε την εφαρμογή αφού συμφωνήσετε με την πιο πρόσφατη έκδοση των όρων χρήσης της εφαρμογής. Κατά την πρώτη εκκίνηση ή εγκατάσταση της εφαρμογής, οι όροι χρήσης θα εμφανιστούν στην οθόνη.
- Η οθόνη της εφαρμογής μπορεί να μεταβληθεί ή να μην είναι διαθέσιμη χωρίς προηγούμενη ειδοποίηση λόγω μελλοντικών ενημερώσεων.

Για smartphones/tablets

Προκαταβολική προετοιμασία

Για τη χρήση της εφαρμογής, είναι απαραίτητη η χρήση ενός smartphone/tablet (iOS ή Android).

- iOS (iPhone): Απαιτείται iOS 13 ή μεταγενέστερη έκδοση.
- Android: Απαιτείται Android 9,0 ή μεταγενέστερη έκδοση.
Με κάποιες εξαιρέσεις, στις συσκευές Android πρέπει να επιτρέπεται η χρήση πληροφοριών τοποθεσίας για συνδέσεις Bluetooth.

Εγκατάσταση της εφαρμογής

1. Πραγματοποιήστε αναζήτηση για «Makita Tool Management» στο App Store ή στο Google Play. Μπορείτε, επίσης, να αποκτήσετε πρόσβαση από τον κωδικό QR στην ακόλουθη εικόνα.

Ιστότοπος λήψης εφαρμογής για smartphone

► **Εικ.3**

2. Εγκαταστήστε την εφαρμογή. Στην αρχική οθόνη θα δημιουργηθεί ένα εικονίδιο «Makita Tool Management».

Για Η/Υ

Απαιτήσεις συστήματος

Ο Η/Υ πρέπει να ικανοποιεί τις ακόλουθες απαιτήσεις για να χρησιμοποιεί την εφαρμογή.

- Λειτουργικό σύστημα: Windows 10 ή Windows 11

Εγκατάσταση της εφαρμογής

1. Αποκτήστε πρόσβαση στη διεύθυνση URL που εμφανίζεται στην ακόλουθη εικόνα.

Ιστότοπος λήψης εφαρμογής για Η/Υ

► **Εικ.4**

2. Πραγματοποιήστε λήψη του «MakitaToolManagementSetup_EN_v1020.exe» και εγκαταστήστε την εφαρμογή.

Σύνδεση του Η/Υ

Πριν ξεκινήσετε την εφαρμογή, συνδέστε αυτή τη συνδετική μονάδα με τον Η/Υ.

► **Εικ.5**

ΕΙΔΟΠΟΙΗΣΗ: Μην αποσυνδέετε το καλώδιο USB ενώ αναβοσβήνει η λυχνία σύνδεσης USB αυτής της συνδετικής μονάδας.

Τοποθέτηση της κασέτας μπαταριών/εργαλείου

Προαιρετικό εξάρτημα

Πριν την εκκίνηση της εφαρμογής, τοποθετήστε την κασέτα μπαταριών και το εργαλείο σε αυτή τη συνδετική μονάδα.

Τοποθέτηση ή αφαίρεση της κασέτας μπαταριών

▲ΠΡΟΣΟΧΗ: Να τοποθετείτε πάντα την κασέτα μπαταριών πλήρως μέχρι να μην βλέπετε τον κόκκινο δείκτη. Εάν δεν ασφαλιστεί, μπορεί να πέσει τυχαία από αυτή τη συνδετική μονάδα, προκαλώντας σωματική βλάβη σε εσάς ή κάποιον άλλο γύρω σας.

▲ΠΡΟΣΟΧΗ: Προσέχετε να μην συνθλίψετε το δάκτυλό σας μεταξύ της κασέτας μπαταριών και των ακροδεκτών.

ΕΙΔΟΠΟΙΗΣΗ: Φορτίστε την κασέτα μπαταριών πριν από τη χρήση. Δεν μπορεί να χρησιμοποιηθεί μια κασέτα μπαταριών που δεν έχει υπολειπόμενη χωρητικότητα.

ΕΙΔΟΠΟΙΗΣΗ: Όταν αφαιρείτε την κασέτα μπαταριών, βεβαιωθείτε ότι το εγκαταστημένο εργαλείο είναι πλήρως σταματημένο και δεν υπάρχει επικοινωνία με την εφαρμογή. Διαφορετικά, μπορεί να προκύψει δυσλειτουργία.

Για να τοποθετήσετε την κασέτα μπαταριών, ευθυγραμμίστε τη γλώσσα στην κασέτα μπαταριών με την εγκοπή στο περίβλημα και ολισθήστε τη στη θέση της. Τοποθετήστε την μέχρι τέρμα μέχρι να ασφαλίσει στη θέση της, γεγονός που υποδεικνύεται με ένα χαρακτηριστικό ήχο. Αν μπορείτε να δείτε τον κόκκινο δείκτη όπως απεικονίζεται στην εικόνα, δεν έχει κλειδώσει τελείως. Για να αφαιρέσετε την κασέτα μπαταριών, σύρετέ την από αυτή τη συνδετική μονάδα ενώ σύρετε το κουμπί στο μπροστινό μέρος της κασέτας.

► **Εικ.6:** 1. Κόκκινος δείκτης 2. Κουμπί 3. Κασέτα μπαταριών

Τοποθέτηση ή αφαίρεση του εργαλείου

▲ ΠΡΟΣΟΧΗ: Μην βάζετε ποτέ το δάκτυλό σας πάνω στο διακόπτη του εργαλείου. Διαφορετικά, μπορεί να συμβεί ακούσια εκκίνηση και να προκαλέσει τραυματισμό.

ΕΙΔΟΠΟΙΗΣΗ: Όταν τοποθετείτε ή αφαιρείτε το εργαλείο, βεβαιωθείτε ότι το εγκατεστημένο εργαλείο είναι πλήρως σταματημένο. Διαφορετικά, μπορεί να προκύψει δυσλειτουργία.

ΕΙΔΟΠΟΙΗΣΗ: Όταν αφαιρείτε το εργαλείο, βεβαιωθείτε ότι δεν υπάρχει επικοινωνία με την εφαρμογή. Διαφορετικά, μπορεί να προκύψει δυσλειτουργία.

ΠΑΡΑΤΗΡΗΣΗ: Το εργαλείο δεν βιδώνει όταν αυτή η συνδετική μονάδα είναι συνδεδεμένη.

Για να τοποθετήσετε το εργαλείο, ευθυγραμμίστε τη γλωττίδα σε αυτή τη συνδετική μονάδα με την εγκοπή στο περίβλημα και σύρετέ τη στη θέση της. Τοποθετήστε την μέχρι τέρμα μέχρι να ασφαλίσει στη θέση της, γεγονός που υποδεικνύεται με ένα χαρακτηριστικό ήχο. Για να αφαιρέσετε το εργαλείο, σύρετέ το από αυτή τη συνδετική μονάδα ενώ σύρετε το κουμπί στο μπροστινό μέρος αυτής της συνδετικής μονάδας.

► **Εικ.7**

ΑΝΤΙΜΕΤΩΠΙΣΗ ΠΡΟΒΛΗΜΑΤΩΝ

Πριν ζητήσετε για επισκευές, ελέγξτε τα ακόλουθα σημεία.

Κατάσταση προβλήματος	Πιθανή αιτία (δυσλειτουργία)	Αποκατάσταση
Η συνδετική μονάδα δεν μπορεί να ενεργοποιηθεί. Η λυχνία κατάστασης δεν ανάβει.	Η εναπομείνουσα χωρητικότητα μπαταρίας είναι χαμηλή. Η κασέτα μπαταριών δεν είναι σωστά τοποθετημένη.	Φορτίστε την κασέτα μπαταριών. Αφαιρέστε την κασέτα μπαταριών αμέσως. Τοποθετήστε ξανά την κασέτα μπαταριών όπως περιγράφεται σε αυτό το εγχειρίδιο.
Η λυχνία κατάστασης αναβοσβήνει με κόκκινο χρώμα.	Το εργαλείο δεν είναι σωστά τοποθετημένο. Η κασέτα μπαταριών δεν είναι σωστά τοποθετημένη.	Αφαιρέστε το εργαλείο αμέσως. Τοποθετήστε ξανά το εργαλείο όπως περιγράφεται στο παρόν εγχειρίδιο. Αφαιρέστε την κασέτα μπαταριών αμέσως. Τοποθετήστε ξανά την κασέτα μπαταριών όπως περιγράφεται σε αυτό το εγχειρίδιο.

Κατάσταση προβλήματος	Πιθανή αιτία (δυσλειτουργία)	Αποκατάσταση
Η συνδετική μονάδα δεν μπορεί να δημιουργήσει σύνδεση με το smartphone/tablet.	Το σήμα είναι ασθενές.	Πλησιάστε το smartphone/tablet πιο κοντά στη συνδετική μονάδα.
	Η σύνδεση Bluetooth του smartphone/tablet είναι απενεργοποιημένη.	Ενεργοποιήστε τη σύνδεση Bluetooth του smartphone/tablet.
Η σύνδεση USB με τον H/Y δεν λειτουργεί.	Το καλώδιο USB δεν είναι συνδεδεμένο σωστά.	Βεβαιωθείτε ότι το καλώδιο USB είναι συνδεδεμένο καλά στη θύρα USB.
	Το καλώδιο είναι σπασμένο.	Χρησιμοποιήστε άλλο καλώδιο USB.
	Το καλώδιο USB δεν συμφωνεί με τις προδιαγραφές.	Χρησιμοποιήστε το καλώδιο USB που καθορίζεται στο παρόν εγχειρίδιο. Ανατρέξτε στην ενότητα για τις προδιαγραφές.

Αν δεν μπορεί να επιλυθεί το πρόβλημα ακόμη και μετά τα παραπάνω μέτρα, η συνδετική μονάδα μπορεί να είναι ελαττωματική. Επικοινωνήστε με τα εξουσιοδοτημένα κέντρα σέρβις της Makita.

ΣΥΝΤΗΡΗΣΗ

▲ ΠΡΟΣΟΧΗ: Πριν την εκτέλεση εργασιών επιθεώρησης ή συντήρησης, πάντοτε να βεβαιώνετε ότι η συσκευή απενεργοποιήθηκε και η κασέτα μπαταριών έχει αφαιρεθεί.

ΕΙΔΟΠΟΙΗΣΗ: Μην πλένετε τη συνδετική μονάδα με νερό. Κίνδυνος δυσλειτουργίας.

ΕΙΔΟΠΟΙΗΣΗ: Περιστασιακά, καθαρίστε το εξωτερικό αυτής της συνδετικής μονάδας χρησιμοποιώντας ένα πανί που έχετε υγράνει με σαπουνόνερο.

ΕΙΔΟΠΟΙΗΣΗ: Μην χρησιμοποιείτε ποτέ βενζίνη, πετρελαϊκό αιθέρα, διαλυτικό, αλκοόλη ή παρόμοιες ουσίες. Μπορεί να προκαλέσει αποχρωματισμό, παραμόρφωση ή ρυγμές.

Για τη διατήρηση της ΑΣΦΑΛΕΙΑΣ και ΑΞΙΟΠΙΣΤΙΑΣ του προϊόντος, οι επισκευές και οποιαδήποτε άλλη εργασία συντήρησης ή ρύθμισης πρέπει να εκτελούνται από εξουσιοδοτημένα ή εργοστασιακά κέντρα εξυπηρέτησης της Makita, χρησιμοποιώντας πάντοτε ανταλλακτικά της Makita.

TEKNİK ÖZELLİKLER

Model:		ADP12
Geçerli batarya kartuşu		BL4020 / BL4025 / BL4040 / BL4050F / BL4080F
Boyutlar (U x G x Y) (Batarya ve alet olmadan)		98 mm x 85 mm x 55 mm
Net ağırlık (Batarya ve alet olmadan)		0,17 kg
Bluetooth	Bluetooth® versiyonu	5,1 (Bluetooth low energy)
	İletim aralığı	Yaklaşık 10 m
	Frekans bandı	2.402 MHz - 2.480 MHz
	Maksimum radyo frekansı gücü	0,11 dBm (EIRP)

- Sürekli yapılan araştırma ve geliştirmelerden dolayı, burada belirtilen özellikler önceden bildirilmeksizin değiştirilebilir.
- Özellikler ülkeden ülkeye değişebilir.
- Yukarıda listelenen batarya kartuşlarının bazıları yaşadığınız bölgeye bağlı olarak mevcut olmayabilir.

Kullanılabilir USB kablosu

USB Type-C terminali ile uyumlu bir USB kablosu kullanın.

Blendajlı, USB-IF onaylı ve uzunluğu yaklaşık 1,8 m'ye kadar olan bir USB kablosu öneririz.

Kullanılabilir kablo bağlantılı güç kaynağı

Kablo bağlantılı güç kaynağının kullanılabilir olup olmadığı hangi aletle kullanılacağına bağlıdır. Aletin teknik özelliklerine bakın.

Uyumlu olmayan aletler hakkında uyarı

Bazı aletler bu bağlantı aparatıyla uyumlu değildir. Belirli model numaraları için lütfen şekildeki web kılavuzuna bakın.

ADP12 için uygulama web kılavuzu

► Şek.1

Semboller

Ekipmanı için kullanılabilecek semboller aşağıda gösterilmiştir. Kullanmadan önce anlamlarını anladığınızdan emin olun.



El kitabını okuyun.



Yalnızca iç mekan kullanımına yöneliktir.



Sadece AB ülkeleri için
Ekipmanda tehlikeli bileşenler bulunduğundan dolayı atık elektrikli ve elektronik ekipmanlar, aküler ve bataryalar çevre ve insan sağlığı üzerinde olumsuz etkiye yol açabilir.

Elektrikli ve elektronik cihazları veya bataryaları evsel atıklarla birlikte atmayın!
Atık elektrikli ve elektronik ekipmanlar ile akümülatörler ve bataryalar hakkındaki Avrupa Direktifi ve söz konusu direktifin ulusal yasalara uyarlanması gereğince atık elektrikli ekipmanlar, bataryalar ve akümülatörler ayrı olarak depolanmalı ve çevre koruma hakkındaki mevzuata uygun olarak faaliyet gösteren ayrı bir kentsel atık toplama noktasına teslim edilmelidir.
Bu husus, ekipmanın üzerine yerleştirilmiş üzerinde çarpı işareti bulunan tekerlekli çöp kovası simgesi ile belirtilmiştir.

Uygunluk Beyanları

Sadece Avrupa ülkeleri için

Uygunluk beyanları bu kullanma kılavuzuna Ek A olarak eklenmiştir.

GÜVENLİK UYARILARI

Bu bağlantı aparatını kullanmadan önce, tüm talimatları ve bu bağlantı aparatı, batarya kartuşu ve bu bağlantı aparatını kullanan ürün üzerindeki tüm uyarı işaretlerini okuyun.

Tüm güvenlik uyarılarına ve talimatlara uyun.

Uyarılara ve talimatlara uyulmaması elektrik çarpması, yangın ve/veya ciddi yaralanmalara neden olabilir.

Çalışma alanı güvenliği

1. Bu bağlantı aparatını yağmura, kara ve ıslak koşullara maruz bırakmayın. Aksi takdirde bağlantı aparatının içine su girebilir ve elektrik çarpması veya kısa devreye neden olabilir.
2. Bu bağlantı aparatını örneğin yanıcı sıvıların, gazların veya tozun bulunduğu patlayıcı ortamlarda kullanmayın. Patlama veya yangın riski.

Elektrik Güvenliği

1. USB Type-C terminali ile uyumlu bir USB kablosu kullanın. USB kablosu üzerinde değişiklik yapmayın. Aksi takdirde arıza olabilir.
2. Terminali kısa devre yaptırmayın. Terminali, bir terminalden diğerine bağlantı yapabileceğiniz teller veya teller gibi başka metal nesnelere uzak tutun. Terminalleri kısa devre yaptırmak yanıklara ya da yangına yol açabilir.
3. Bu bağlantı aparatını sadece özel olarak belirtilen batarya takımları ile kullanın. Üzerinde değişiklik yapılmış batarya kullanmayın. Başka batarya takımlarının kullanımı yaralanma ve yangın riski oluşturabilir.

Servis

1. Bu bağlantı aparatının servisinin nitelikli bir onarım personeli tarafından sadece orijinal yedek parçalar kullanılarak yapılmasını sağlayın. Bu, bu bağlantı aparatının güvenliğinin korunmasını sağlar. Bu bağlantı aparatını parçalarına ayırmayın veya kuralamayın. Yangın, aşırı ısı veya patlamaya neden olabilir. Bu bağlantı aparatından herhangi bir anormallik fark ederseniz inceleme ve onarım için Makita Yetkili veya Fabrika Servis Merkezlerine gönderin. Bu ürünün onarım bilgisi ve becerisi olmayan biri tarafından onarılması halinde ürünün yeterli performansı göstermeyecek olmasının yanı sıra kaza veya yaralanma riski de vardır.

Ek güvenlik uyarıları

1. Hasarlı parça olup olmadığını kontrol edin. Herhangi bir anormallik veya arıza olursa bu bağlantı aparatını kullanmayı hemen bırakın. Kullanmaya devam ederseniz duman/yangın, elektrik çarpması ve yaralanma meydana gelebilir. <Örnek anormallikler/arızalar>
 - Kablo veya terminal anormal derecede sıcak.
 - Derin çizikler veya deformasyon var.
 - USB kablosuna dokunulduğunda iletkenler enerjilendirilebilir veya enerjilendirilemeyebilir.
 - Yanık kokusu.
 - Elektrik hissi var.

Herhangi bir sorun hissederseniz derhal güç kaynağını bağlantı aparatından ayırın ve inceleme ve onarım için Makita Yetkili veya Fabrika Servis Merkezleri ile iletişime geçin.

2. Kullanım sırasında batarya kartuşunun ısı üretmesi gibi herhangi bir anormallik fark ederseniz derhal batarya kartuşunu çıkarın ve kullanmayı bırakın. Kullanmaya devam etmek duman, yangın veya patlamaya neden olabilir.

3. Bu bağlantı aparatını sıcaklığın 50 °C'ye varabileceği veya bu değeri aşabileceği yerlerde saklamayın ve kullanmayın. Çocukların ulaşamayacağı ve kuru bir yerde saklayın. Kaza riski vardır.
4. Terminallere ıslak ellerle dokunmayın. Elektrik çarpması riski.
5. Bu bağlantı aparatını düşürmeyin. Arıza riski.

BU TALİMATLARI SAKLAYIN – Bu kılavuz, bu bağlantı aparatı için önemli güvenlik ve kullanma talimatları içerir.

Bu bağlantı aparatını ödünç verirken bu kullanma kılavuzunu mutlaka ilişitirin.

Radyo dalgaları için güvenlik uyarıları

1. Bu ürünü, yüksek hassasiyetli kontrol ve zayıf sinyaller içeren elektronik cihazların yanında kullanmayın. (Dikkat gerektiren örnek elektronik cihazlar: İştme cihazı, kalp pil, diğer tıbbi cihazlar, yangın alarmı, otomatik kapı ve diğer otomatik kontrol cihazları).
2. Bu ürünün radyo dalgası tüm ortamlarda garanti edilmez. Aşağıdaki durumlarda radyo dalgası ulaşmayabilir veya radyo dalgası kesilebilir.
 - Bu ürünü beton, demir veya metal kullanılmış binalarda kullanırken.
 - Bu ürünü engellerin yanında kullanırken.
 - Bu ürüne aynı frekansı kullanan kablosuz iletişim cihazları müdahale ettiğinde.
 - Bu ürünü manyetik alan, statik elektrik veya radyo parazitini üreten mikrodalg fırınlar gibi cihazların yanında kullanırken.

İLGİLİ TİCARİ MARKALAR ve TESCİLLİ TİCARİ MARKALAR



- Bluetooth® kelime işareti ve logoları Bluetooth SIG, Inc.'e ait tescilli ticari markalardır ve bu markaların Makita tarafından tüm kullanımları lisans altındadır. Diğer ticari markalar ve marka adları ilgili sahiplerine aittir.
- Android ve Google Play, Google LLC'nin ticari markaları veya tescilli ticari markalarıdır.
- iPhone, ABD ve diğer ülkelerde kayıtlı Apple Inc.'in ticari markasıdır.
- iPhone ticari markası Aiphone Co., Ltd.'nin lisanslı altında kullanılmaktadır.
- App Store, Apple Inc.'in hizmet markasıdır.
- Bu belgedeki diğer tüm ticari markalar, ilgili sahiplerinin mülküdür. Ana metnin bazı kısımlarında ™ ve © işaretleri koyulmamıştır.

PARÇALARIN TANIMI

► Şek.2

1. **Düğme**
2. **USB bağlantı noktası**
Bir bilgisayarla iletişim için. USB cihazlarını şarj etmek için kullanılamaz.
3. **Durum**

Lamba	Durum
Kapalı	Bu bağlantı aparatına güç kaynağı (batarya kartuşu/USB) bağlı değil.
Yeşil yanar	Bu bağlantı aparatına güç kaynağı bağlı.
Kırmızı yanıp söner	Veri okuma/yükleme hatası

4. **Mod**
Her bir modun ayrıntıları için uygulama web kılavuzuna bakın.

Lamba	Mod
Kapalı	İletişim (Comm) Modu
Kırmızı yanar	Bağımsız Mod (Batarya)
Yeşil yanar	Bağımsız Mod (Alet)

5. USB bağlantısı

Lamba	USB bağlantısı
Kapalı	Bu bağlantı aparatına bilgisayar uygulaması bağlı değil.
Yeşil yanar	Bu bağlantı aparatına bilgisayar uygulaması bağlı.
Yeşil yanıp söner (hızlı)	Bilgisayar uygulaması ile iletişim

6. Bluetooth bağlantısı

Lamba	Bluetooth bağlantısı
Kapalı	Radio dalgası üretilmiyor.
Mavi yanar	Bağlantı kuruldu.
Mavi yanıp söner	Radio dalgası üretiliyor. (Bağlantı kurulmadı.)
Mavi yanıp söner (hızlı)	Akıllı telefon uygulamasıyla iletişim

ADP12 İLE YAPABİLECEKLERİNİZ

Uygulamanın kullanım ayrıntıları için ADP12 uygulama web kılavuzuna bakın. (Bkz. Şek.1.)

Özellikler

- **Hırsızlık önleme ayarı (PIN kodu)**
Her bir alet ve batarya kartuşu için PIN kodu ayarlayabilirsiniz. Sadece PIN kodları aynı olan alet ve batarya kartuşu kombinasyonu çalıştırılabilir.
- **Batarya zamanlayıcısı ayarı**
İnşaat bittikten sonra kartuşların kullanılabilir olmaması için bir inşaat programına göre batarya kartuşlarına bir son kullanma saati/tarihi ayarlanabilir.
- **Servis desteği**
 - **Alet kontrolcüsü**
Alet durumu ve çalışma geçmişi görüntülenebilir.
 - **Batarya kontrolcüsü**
Batarya durumu ve çalışma geçmişi görüntülenebilir.
 - **Not defteri kaydı**
Alete ve batarya kartuşuna karakterler kaydedebilirsiniz (kaydedilebilecek karakter sayısı modele bağlıdır). Alet yönetimi ve bakım geçmişi için kullanılır.

NOT: Bazı özellikler alete bağlı olarak mevcut olmayabilir.

NOT: Alet kontrolcüsünde, fabrikadaki kontroller, vb. nedeniyle yeni bir aletle bile çalışma sayısı geçmişini görüntülenebilir.

KULLANMADAN ÖNCE

Uygulamanın yüklenmesi

- Uygulama ücretsizdir ancak indirirken ayrı bir iletişim ücreti alınabilir.
- Uygulama sadece Makita ürünleri içindir.
- Lütfen uygulamayı, uygulama kullanım şartlarının son versiyonunu kabul ettikten sonra kullanın. Uygulamanın ilk kez başlatılması veya yüklenmesi sırasında kullanım şartları ekranı görüntülenir.
- Gelecekteki güncellemeler nedeniyle uygulama ekranı haber verilmeksizin değiştirilebilir veya mevcut olmayabilir.

Akıllı telefonlar/tabletler için

Önceden hazırlık

Uygulamayı kullanmak için bir akıllı telefon/tablet (iOS veya Android) gereklidir.

- iOS (iPhone): iOS 13 veya üstü gerekir.
- Android: Android Sürüm 9,0 veya üstü gerekir. Bluetooth bağlantılar için bazı istisnalar dışında Android cihazların konum bilgisinin kullanılmasına izin vermeleri gerekir.

Uygulamanın yüklenmesi

1. App Store veya Google Play'de "Makita Tool Management" araması yapın. Aşağıdaki şekildeki kare koddan da erişebilirsiniz.

Akıllı telefon uygulaması indirme sitesi

► Şek.3

2. Uygulamayı yükleyin. Ana ekranda bir "Makita Tool Management" simgesi oluşturulur.

Bilgisayarlar için

Sistem gereksinimleri

Uygulamayı kullanmak için bilgisayar aşağıdaki gereksinimleri karşılamalıdır.

- İşletim Sistemi: Windows 10 veya Windows 11

Uygulamanın yüklenmesi

1. Aşağıdaki şekilde gösterilen URL'ye erişin.

Bilgisayar uygulaması indirme sitesi

► Şek.4

2. "MakitaToolManagementSetup_EN_v1020.exe" dosyasını indirin ve uygulamayı yükleyin.

Bilgisayarı bağlama

Uygulamayı başlatmadan önce bu bağlantı aparatını bilgisayara bağlayın.

► Şek.5

ÖNEMLİ NOT: Bu bağlantı aparatının USB bağlantı lambası yanıp sönerken USB kablosunu ayırmayın.

Batarya kartuşu/aletin takılması

İsteğe bağlı aksesuar

Uygulamayı başlatmadan önce batarya kartuşu ve aleti bu bağlantı aparatına takın.

Batarya kartuşunun takılması veya çıkarılması

⚠DİKKAT: Batarya kartuşunu daima kırmızı göstergede görünmeyecek şekilde tam olarak takın. Aksi takdirde, bu bağlantı aparatından kazara düşerek sizin ya da çevrenizdekilerin yaralanmasına neden olabilir.

⚠DİKKAT: Batarya kartuşu ile terminallerin arasına parmaklarınızı sıkıştırmamaya dikkat edin.

ÖNEMLİ NOT: Kullanmadan önce batarya kartuşunu şarj edin. Kalan kapasitesi olmayan batarya kartuşu kullanılamaz.

ÖNEMLİ NOT: Batarya kartuşunu çıkarırken takılı aletin tamamen durduğundan ve uygulama ile iletişim olmadığından emin olun. Aksi takdirde arıza olabilir.

Batarya kartuşunu takmak için, batarya kartuşu üzerindeki dili gövdedeki girinti ile hizalayın ve kaydırarak yerine oturtun. Küçük bir tık sesi ile yerine sabitlenene dek sonuna kadar ittirin. Şekilde gösterildiği gibi kırmızı göstergeli görebiliyorsanız tam olarak kilitlenmemiş demektir. Batarya kartuşunu çıkarmak için, kartuşun ön tarafındaki düğmeyi kaydırarak kartuşu bu bağlantı aparatından çıkarın.

- **Şek.6:** 1. Kırmızı göstergede 2. Düğme 3. Batarya kartuşu

Aletin takılması veya çıkarılması

⚠DİKKAT: Parmağınızı aletin anahtarının üzerine koymayın. Aksi takdirde istemsiz çalıştırmaya neden olabilir ve yaralanmaya yol açabilir.

ÖNEMLİ NOT: Aleti takarken veya çıkarırken takılı aletin tamamen durduğundan emin olun. Aksi takdirde arıza olabilir.

ÖNEMLİ NOT: Aleti çıkarırken uygulama ile iletişim olmadığından emin olun. Aksi takdirde arıza olabilir.

NOT: Bu bağlantı aparatı takılıyken alet çalışmaz.

Aleti takmak için bu bağlantı aparatının üstündeki dili gövdedeki girinti ile hizalayın ve kaydırarak yerine oturtun. Küçük bir tık sesi ile yerine sabitlenene dek sonuna kadar ittirin.

Aleti çıkarmak için, bu bağlantı aparatının ön tarafındaki düğmeyi kaydırarak aleti bu bağlantı aparatından çıkarın.

► Şek.7

SORUN GİDERME

Onarım yaptırmaya çalışmadan önce aşağıdaki hususları kontrol edin.

Anormal durum	Olası nedeni (arıza)	Çözümü
Bağlantı aparatı açılmıyor. Durum lambası yanmıyor.	Kalan batarya kapasitesi düşüktür.	Batarya kartuşunu şarj edin.
	Batarya kartuşu düzgün takılmamış.	Batarya kartuşunu bir kez çıkarın. Batarya kartuşunu bu kılavuzda açıklandığı gibi tekrar takın.
Durum lambası kırmızı yanıp sönlüyor.	Alet düzgün takılmamış.	Aleti bir kez çıkarın. Aleti bu kılavuzda açıklandığı gibi tekrar takın.
	Batarya kartuşu düzgün takılmamış.	Batarya kartuşunu bir kez çıkarın. Batarya kartuşunu bu kılavuzda açıklandığı gibi tekrar takın.
Bağlantı aparatı akıllı telefon/tablet ile bağlantı kuramıyor.	Sinyal zayıf.	Akıllı telefon/tableti bağlantı aparatına yaklaştırın.
	Akıllı telefon/tabletin Bluetooth bağlantısı kapalı.	Akıllı telefon/tabletin Bluetooth bağlantısını açın.
Bilgisayarla USB bağlantısı çalışmıyor.	USB kablosu düzgün takılmamış.	USB kablosunun USB bağlantı noktasına düzgün takıldığından emin olun.
	Kablo bozuk.	Başka bir USB kablosu kullanın.
	USB kablosu teknik özelliklere uygun değil.	Bu kılavuzda belirtilen USB kablosunu kullanın. Teknik özellikler kısmına bakın.

Yukarıdaki önlemleri aldıktan sonra bile sorun çözülmezse bağlantı aparatı arızalı olabilir. Lütfen Makita Yetkili Servis Merkezleri ile iletişime geçin.

BAKIM

⚠ DİKKAT: Muayene ya da bakım yapmadan önce aletin kapalı ve batarya kartuşunun çıkartılmış olduğundan daima emin olun.

ÖNEMLİ NOT: Bağlantı aparatını suyla yıkamayın. Arıza riski.

ÖNEMLİ NOT: Zaman zaman sabunlu suyla ıslatılmış bir bezle bu bağlantı aparatının dışını silin.

ÖNEMLİ NOT: Benzin, tiner, alkol ve benzeri maddeleri kesinlikle kullanmayın. Renk değişimi, deformasyon veya çatlaklar oluşabilir.

Aleti EMNİYETLİ ve ÇALIŞMAYA HAZIR durumda tutmak için onarımlar, başka her türlü bakım ve ayarlamalar daima Makita yedek parçaları kullanılarak Makita yetkili servis merkezleri veya Fabrikanın Servis Merkezleri tarafından yapılmalıdır.

SPECIFIKATIONER

Modell:		ADP12
Tillämplig batterikassett		BL4020 / BL4025 / BL4040 / BL4050F / BL4080F
Mått (L x B x H) (utan batteriet och verktyget)		98 mm x 85 mm x 55 mm
Nettovikt (utan batteriet och verktyget)		0,17 kg
Bluetooth	Bluetooth®-version	5,1 (Bluetooth low energy)
	Överföringsavstånd	Cirka 10 m
	Frekvensband	2 402 MHz - 2 480 MHz
	Max. radiofrekvenseffekt	0,11 dBm (EIRP)

- På grund av vårt pågående program för forskning och utveckling kan dessa specifikationer ändras utan föregående meddelande.
- Specifikationer kan variera mellan olika länder.
- Vissa av batterikassetterna i listan ovan kanske inte finns tillgängliga beroende på din bostadsregion.

Tillämplig USB-kabel

Använd en USB-kabel som överensstämmer med USB typ C-uttaget.

Vi rekommenderar en USB-kabel med skärm, USB-IF-godkännande och en längd på upp till cirka 1,8 m.

Lämplig sladdansluten strömkälla

Om den sladdanslutna strömkällan kan användas eller inte beror på vilket verktyg som den ska användas med. Läs specifikationen för verktyget.

Anmärkning och icke-kompatibla verktyg

Vissa verktyg är inte kompatibla med denna adapter. Se webbhandboken i figuren för specifika modellnummer.

Webbhandbok för app för ADP12

► Fig.1

Symboler

Följande visar symbolerna som kan användas för utrustningen. Se till att du förstår innebörden innan användning.



Läs igenom bruksanvisningen.



Endast för inomhusbruk.



Gäller endast inom EU

P.g.a. förekomsten av farliga komponenter i utrustningen kan avfall innehållande elektrisk och elektronisk utrustning, ackumulatörer och batterier ha negativ inverkan på miljön och människors hälsa.

Kassera inte elektriska och elektroniska apparater eller batterier ihop med hushållsavfall!

I enlighet med EU-direktiven om avfall som utgörs av eller innehåller elektrisk och elektronisk utrustning och om batterier och ackumulatörer och förbrukade batterier och ackumulatörer, och dess införlivande i nationell lagstiftning, bör förbrukad elektrisk och elektronisk utrustning, batterier och ackumulatörer förvaras separat och transporteras till en särskild uppsamlingsplats för kommunalt avfall, som drivs i enlighet med regelverket för miljöskydd. Detta anges av symbolen med den överkryssade soptunnan på hjul som sitter på utrustningen.



Försäkran om överensstämmelse

Gäller endast inom EU

Försäkran om överensstämmelse ingår i bilaga A till denna bruksanvisning.

SÄKERHETSVARNINGAR

Innan adaptern används ska alla instruktioner och försiktighetsmärken på adaptern, batterikassetten och produkten som använder adaptern läsas.

Läs igenom alla säkerhetsvarningar och anvisningar. Underlåtenhet att följa varningar och instruktioner kan leda till elstötar, brand och/eller allvarliga personskador.

Säkerhet på arbetsplatsen

1. **Utsätt inte adaptern för regn, snö eller blöta förhållanden.** Annars kan vatten komma in i adaptern och orsaka elektriska stötar eller kortslutning.
2. **Använd inte adaptern i explosiva områden, till exempel i närheten av lättantändliga vätskor, gaser eller damm.** Risk för explosion eller brand.

Elsäkerhet

1. **Använd en USB-kabel som överensstämmer med USB typ C-uttaget. Modifiera inte USB-kabeln.** Annars kan det orsaka funktionsfel.
2. **Kortslut inte uttaget. Håll terminalerna borta från andra metallföremål, som nålar eller ledningar, som kan skapa en anslutning från en terminal till en annan.** Kortslutning av terminalerna kan orsaka brännskador eller brand.
3. **Använd endast adaptern tillsammans med tillhörande batteripaket. Använd inte modifierade batterier.** Användning av andra batteripaket kan skapa risk för personskada och brand.

Service

1. **Låt en behörig reparatör utföra service av adaptern med endast originalreservdelar.** Detta garanterar fortsatt säkerhet för adaptern. **Ta inte isär eller manipulera adaptern.** Det kan leda till brand, hög värme eller explosion. **Om du upptäcker något avvikande i denna adapter ska du skicka den till ett auktoriserat Makita-servicecenter eller fabriks-servicecenter för inspektion och reparation.** Om en person utan kunskap och färdigheter i reparationsarbete reparerar denna produkt kommer den inte bara att inte fungera korrekt, utan det finns också risk för en olycka eller personskada.

Ytterligare säkerhetsvarningar

1. **Inspektera efter skadade delar. Sluta omedelbart använda denna adapter om något avvikande eller något fel uppstår.** Om du fortsätter använda den kan rök/eld, elektriska stötar och personskador uppstå. <Exempel på avvikelser/felfunktion>
 - Kabeln eller terminalen är onormalt varma.
 - Det finns djupa repor eller deformation.
 - När du rör vid USB-kabeln kan det hända att ledarna är strömförande eller inte.
 - Det luktar bränt.
 - Det finns en elektrisk förnimmelse.**Om du upptäcker problem ska du omedelbart koppla bort strömkällan från adaptern och kontakta ett auktoriserat Makita-servicecenter eller fabriks-servicecenter för inspektion och reparation.**
2. **Om du upptäcker avvikelser såsom värmeutveckling av batterikassetten under användning ska du omedelbart ta bort och sluta använda batterikassetten.** Fortsatt användning kan orsaka rök, brand eller explosion.
3. **Förvara och använd inte denna adapter på platser där temperaturen kan nå eller överstiga 50 °C.** Förvara den på en torr plats utom räckhåll för barn. Det finns risk för en olycka.

4. **Rör inte vid terminalerna med våta händer.** Risk för elektrisk stöt.
5. **Tappa inte adaptern.** Risk för felfunktion.

SPARA DESSA ANVISNINGAR – Denna bruksanvisning innehåller viktiga säkerhets- och driftsanvisningar för denna adapter.
Lämnas alltid över denna bruksanvisning när du lånar ut adaptern.

Säkerhetsvarningar för radioväg

1. **Använd inte denna produkt nära elektroniska enheter med högprecisionsstyrning och svaga signaler. (Exempel på elektroniska enheter som kräver försiktighet: En hörapparat, en pacemaker, annan medicinsk utrustning, ett brandlarm, en automatisk dörr och annan automatisk styrutrustning).**
2. Radiovägorna för denna produkt garanteras inte i alla miljöer. I följande fall kan det hända att radiovägen inte når eller så kan radiovägen avbrytas.
 - När denna produkt används i byggnader där betong, armeringsjärn eller metall används.
 - När produkten används nära hinder.
 - När denna produkt störs av trådlösa kommunikationsenheter som använder samma frekvens.
 - När produkten används nära utrustning som mikrovågsugnar som genererar magnetfält, statisk elektricitet eller radiostörningar.

RESPEKTIVA VARUMÄRKEN och REGISTRERADE VARUMÄRKEN



- Bluetooth®-märket och -logotypen är registrerade varumärken som tillhör Bluetooth SIG, Inc. och all användning av dylika märken av Makita sker på licens. Andra varumärken och varunamn tillhör respektive ägare.
- Android och Google Play är varumärken eller registrerade varumärken som tillhör Google LLC.
- iPhone är ett varumärke som tillhör Apple Inc., registrerat i USA och andra länder.
- iPhone-varumärket används under licens från Aiphone Co., Ltd.
- App Store är ett servicemärke som tillhör Apple Inc.
- Alla andra varumärken i detta dokument tillhör sina respektive ägare. Observera att ™- och ©-märken är utelämnade i en del av huvudtexten.

BESKRIVNING AV DELAR

► Fig.2

1. **Knapp**
2. **USB-port**
För kommunikation med en dator. Kan inte användas för att ladda USB-enheter.
3. **Status**

Lampa	Status
Av	Strömkällan (batterikassett/USB) är inte ansluten till adaptorn.
Lyser grönt	Strömkällan är ansluten till adaptorn.
Blinkar rött	Fel vid läsning/laddning av data

4. **Läge**
Se webbhandboken för appen för mer information om varje läge.

Lampa	Läge
Av	Kommunikationsläge (comm)
Lyser rött	Fristående läge (batteri)
Lyser grönt	Fristående läge (verktyg)

5. USB-anslutning

Lampa	USB-anslutning
Av	Datorappen är inte ansluten till adaptorn.
Lyser grönt	Datorappen är ansluten till adaptorn.
Blinkar grönt (snabbt)	Kommunicerar med datorappen

6. Bluetooth-anslutning

Lampa	Bluetooth-anslutning
Av	Ingen radiovåg genereras.
Lyser blått	Anslutning är etablerad.
Blinkar blått	Radiovåg genereras. (Anslutningen är inte etablerad.)
Blinkar blått (snabbt)	Kommunikation med smarttelefonapp

VAD DU KAN GÖRA MED ADP12

För detaljerad information om hur man använder appen, se webbhandboken för appen ADP12. (Se fig.1.)

Funktioner

- **Inställning av antistöldfunktion (PIN-kod)**
Du kan ställa in PIN-koden för varje verktyg och batterikassett. Endast en kombination av verktyget och batterikassetten med matchande PIN-koder kan användas.
- **Inställning av batteritimer**
Det går att ställa in utgångstid/-datum på batterikassetter enligt ett byggschema så att kassetterna inte kan användas efter att bygget är klart.
- **Servicehjälp**
 - **Verktogs kontroll**
Verktogsstatus och driftshistorik kan visas.
 - **Batterikontroll**
Batteristatus och driftshistorik kan visas.
 - **Registrering av anteckningsblock**
Du kan registrera tecken i verktyget och batterikassetten (antalet tecken som kan registreras beror på modellen). Detta används för verktygshantering och underhållshistorik.

OBS: Vissa funktioner är inte tillgängliga beroende på verktyget.

OBS: I verktogs kontrollen kan driftshistorik visas även med ett helt nytt verktyg på grund av inspektioner i fabriken etc.

FÖRE ANVÄNDNING

Installera appen

- Appen är gratis men en separat kommunikationsavgift kan tas ut vid nedladdning.
- Appen är uteslutande för Makita-produkter.
- Använd appen efter att ha godkänt den senaste versionen av användarvillkoren för appen. Vid första start eller när appen installeras visas användarvillkoren på skärmen.
- Appens skärm kan ändras eller vara otillgänglig utan föregående meddelande på grund av framtida uppdateringar.

För smarttelefoner/surfplattor

Förberedelse i förväg

Det krävs en smarttelefon/surfplatta (iOS eller Android) för att använda appen.

- iOS (iPhone): iOS 13 eller senare krävs.
- Android: Android Version 9,0 eller senare krävs. Med vissa undantag måste Android-enheter tillåta att platsinformation används för Bluetooth-anslutningar.

Installera appen

1. Sök efter "Makita Tool Management" i App Store eller Google Play.
Du kan även komma åt den från QR-koden i följande figur.

Webbplats för hämtning av smarttelefonapp

► Fig.3

2. Installera appen. Ikonen "Makita Tool Management" skapas på hemskärmen.

För datorer

Systemkrav

Datorn måste uppfylla följande krav för att använda appen.

- OS: Windows 10 eller Windows 11

Installera appen

1. Gå till webbadressen som visas i följande figur.

Webbplats för hämtning av datorapp

► Fig.4

2. Ladda ned "MakitaToolManagementSetup_EN_v1020.exe" och installera appen.

Ansluta datorn

Anslut adaptorn till datorn innan du startar appen.

► Fig.5

OBSERVERA: Koppla inte bort USB-kabeln medan USB-anslutningslampan på adaptorn blinkar.

Montera batterikassetten/verktyget

Valfria tillbehör

Montera batterikassetten och verktyget till adaptorn innan du startar appen.

Montera eller ta bort batterikassetten

⚠FÖRSIKTIGT: För alltid i batterikassetten helt tills den röda indikatorn inte längre syns. Annars kan den oväntat falla ur adaptorn och orsaka personskador på dig eller någon i närheten.

⚠FÖRSIKTIGT: Var försiktig så att du inte klämmer fingret mellan batterikassetten och terminalerna.

OBSERVERA: Ladda batterikassetten före användning. Batterikassetten kan inte användas om den inte har någon återstående kapacitet.

OBSERVERA: När du tar bort batterikassetten, se till att det installerade verktyget är helt stoppat och att det inte finns någon kommunikation med appen. Annars kan det orsaka funktionsfel.

Montera batterikassetten genom att rikta in tungan på batterikassetten med spåret i kåpan och skjut den på plats. Tryck in den hela vägen tills den låser fast med ett klick. Om du kan se den röda indikatorn som bilden visar är den inte låst ordentligt.

Ta bort batterikassetten genom att skjuta ut den från adaptorn samtidigt som du skjuter ner knappen på kassetten framsida.

► **Fig.6:** 1. Röd indikator 2. Knapp 3. Batterikassetten

Montera eller ta bort verktyg

⚠FÖRSIKTIGT: Håll aldrig fingret på avtryckaren på verktyget. Annars kan det oavsiktligt starta vilket kan leda till personskada.

OBSERVERA: När du monterar eller tar bort verktyget, se till att det installerade verktyget är helt stoppat. Annars kan det orsaka funktionsfel.

OBSERVERA: När du tar bort verktyget, se till att det inte finns någon kommunikation med appen. Annars kan det orsaka funktionsfel.

OBS: Verktyget går inte att köra med adaptorn ansluten.

Montera verktyget genom att rikta in tungan på adaptorn med spåret i kåpan och skjut den på plats. Tryck in den hela vägen tills den låser fast med ett klick. Ta bort verktyget genom att skjuta ut det från adaptorn samtidigt som du skjuter ner knappen på adaptorns framsida.

► **Fig.7**

FELSÖKNING

Kontrollera följande punkter innan du kontaktar service.

Feltillstånd	Trolig orsak (felfunktion)	Åtgärd
Det går inte att slå på adaptorn. Statuslampan tänds inte.	Den återstående batterikapaciteten är låg.	Ladda batterikassetten.
	Batterikassetten är felaktigt isatt.	Ta bort batterikassetten en gång. Installera batterikassetten igen enligt anvisningarna i denna bruksanvisning.
Statuslampan blinkar rött.	Verktyget är felaktigt isatt.	Ta bort verktyget en gång. Installera verktyget igen enligt beskrivningen i denna bruksanvisning.
	Batterikassetten är felaktigt isatt.	Ta bort batterikassetten en gång. Installera batterikassetten igen enligt anvisningarna i denna bruksanvisning.
Adaptorn kan inte etablera anslutningen med smarttelefonen/surfplattan.	Signalen är svag.	Flytta smarttelefonen/surfplattan närmare adaptorn.
	Bluetooth-anslutningen på smarttelefonen/surfplattan är inaktiverad.	Aktivera Bluetooth-anslutningen på smarttelefonen/surfplattan.
USB-anslutningen med datorn fungerar inte.	USB-kabeln är inte ordentligt isatt.	Se till att USB-kabeln är ordentligt ansluten i USB-porten.
	Kabeln är trasig.	Använd en annan USB-kabel.
	USB-kabeln har inte rätt specifikation.	Använd USB-kabeln som är specificerad i denna bruksanvisning. Se avsnittet för specifikationer.

Om problemet inte kan lösas även efter att ovanstående åtgärder vidtagits kan adaptorn vara defekt. Kontakta ett Makita- auktoriserat servicecenter.

UNDERHÅLL

⚠ FÖRSIKTIGT: Se alltid till att maskinen är avstängd och batterikassetten borttagen innan inspektion eller underhåll utförs.

OBSERVERA: Tvätta inte adaptern med vatten.
Risk för felfunktion.

OBSERVERA: Torka regelbundet av adaptern utsida med en trasa fuktad i tvålatten.

OBSERVERA: Använd inte bensin, förtunningsmedel, alkohol eller liknande. Missfärgning, deformation eller sprickor kan uppstå.

För att upprätthålla produktens SÄKERHET och TILLFÖRLITLIGHET bör allt underhålls- och justeringsarbete utföras av ett auktoriserat Makita servicecenter och med reservdelar från Makita.

TEKNISKE DATA

Modell:		ADP12
Aktuelt batteri		BL4020 / BL4025 / BL4040 / BL4050F / BL4080F
Mål (L × B × H) (uten batteri og verktøy)		98 mm × 85 mm × 55 mm
Nettovekt (uten batteri og verktøy)		0,17 kg
Bluetooth	Bluetooth®-versjon	5,1 (Bluetooth lav energi)
	Overføringsrekkevidde	Ca. 10 m
	Frekvensbånd	2 402 MHz–2 480 MHz
Maksimal radiofrekvenseffekt		0,11 dBm (EIRP)

- På grunn av vårt kontinuerlige forsknings- og utviklingsprogram kan spesifikasjonene som oppgis i dette dokumentet endres uten varsel.
- Spesifikasjonene kan variere fra land til land.
- Noen av batteriene som er oppført ovenfor, er kanskje ikke tilgjengelige, avhengig av hvor du bor.

Aktuell USB-kabel

Bruk en USB-kabel som passer med USB-terminalen av type C.

Vi anbefaler en USB-kabel med skjerm, USB-IF-godkjenning og en lengde på opptil ca. 1,8 m.

Aktuell ledning koblet til strømkilde

Om ledningen som er koblet til strømkilden er aktuell eller ikke, avhenger av hva verktøyet skal brukes med. Se spesifikasjonene for verktøyet.

Merknad om ikke-kompatible verktøy

Noen verktøy er ikke kompatible med denne kobligen. Se webhåndboken i figuren angående spesifikke modellnumre.

App-webhåndbok for ADP12

► Fig.1

Symboler

Nedenfor ser du symbolene som kan brukes for dette utstyret. Forviss deg om at du forstår hva de betyr, før du begynner å bruke maskinen.



Les bruksanvisningen.



Bare til innendørs bruk.



Kun for EU-land

På grunn av forekomst av farlige komponenter i utstyret, kan avfall fra elektrisk og elektronisk utstyr, akkumulatører og batterier ha en negativ innvirkning på miljøet og menneskers helse.



Ikke kast elektriske og elektroniske apparater eller batterier sammen med husholdningsavfall!

I samsvar med det europeiske direktivet om avfall fra elektrisk og elektronisk utstyr og om akkumulatører og batterier samt akkumulatører og batterier som skal kastes, samt deres tilpasning til nasjonal lovgivning, skal brukt elektrisk utstyr samt brukte batterier og akkumulatører samles inn separat og leveres til et eget innsamlingssted for kommunalt avfall, som driver virksomhet i samsvar med miljøvernforordningene.

Dette er angitt av symbolet med den overkryssede avfallsbeholderen som er plassert på utstyret.

Samsvarserklæringer

Gjelder kun for land i Europa

Samsvarserklæringerne er lagt til som vedlegg A i denne bruksanvisningen.

SIKKERHETSADVARSEL

Før du begynner å bruke denne koblingen, må du lese alle instruksjoner og forsiktighetsmarkeringer på denne koblingen, batteriet og produktet som bruker koblingen.

Følg alle sikkerhetsadvarslene og instruksjonene. Hvis du ikke følger alle advarslene og instruksjonene, kan det føre til elektrisk støt, brann og/eller alvorlige personskader.

Sikkerhet på arbeidsplassen

1. **Ikke utsett koblingen for regn, snø eller fuktige forhold.** Ellers kan det komme vann inn i koblingen og føre til elektrisk støt eller kortslutning.
2. **Ikke bruk koblingen i eksplosjonsfarlige omgivelser, f.eks. i nærheten av brennbare væsker, gasser eller støv.** Fare for eksplosjon eller brann.

Elektrisk sikkerhet

1. **Bruk en USB-kabel som passer med USB-terminalen av type C. Ikke modifier USB-kabelen.** Ellers kan det oppstå en funksjonsfeil.
2. **Ikke kortslutt terminalen. Hold terminalen unna andre metallgjenstander, som nåler eller ledninger, som kan danne en forbindelse fra én terminal til en annen.** Hvis terminalene kortsluttes, kan du få brannskår, eller det kan begynne å brenne.
3. **Koblingen skal kun brukes med spesifikt angitte batterier. Ikke bruk et modifisert batteri.** Bruk av andre batterier kan utgjøre en fare for personskader og brann.

Service

1. **La en kvalifisert reparatør utføre service på koblingen, og bare bruk originale reservedeler.** Dette vil opprettholde sikkerheten til koblingen. **Ikke demonter eller tukle med koblingen.** Det kan føre til brann, overoppheting eller eksplosjon. **Hvis du legger merke til noe unormalt med koblingen, må du sende den til et Makita- autorisert senter eller fabrikk-servicenter for inspeksjon og reparasjon.**
Hvis en person uten reparasjonskunnskap og -ferdigheter reparerer dette produktet, vil det ikke bare yte utilstrekkelig, men det er også fare for ulykke eller personskade.

Ekstra sikkerhetsadvarsler

1. **Undersøk med tanke på ødelagte deler. Hvis noe unormalt eller en feilfunksjon finner sted, må du umiddelbart opphøre bruken av denne koblingen.** Hvis du fortsetter å bruke den, kan det oppstå røyk/brann, elektrisk støt og personskade. <Eksempler på unormal funksjonalitet og svikt>
 - Kabelen eller terminalen er unormalt varm.
 - Det finnes dype skraper eller deformering.
 - Når du berører USB-kabelen, kan det hende at lederne er strømførende eller ikke.
 - Det lukter brent.
 - Du har følelse av elektrisitet.**Hvis du merker problemer, må du umiddelbart koble strømkilden fra koblingen og ta kontakt med et Makita- autorisert senter eller fabrikk-servicenter angående inspeksjon og reparasjon.**
2. **Hvis du legger merke til noe unormalt, som varmedannelse i batteriet under bruk, må du umiddelbart fjerne og slutte å bruke batteriet.** Fortsatt bruk kan føre til røyk, brann eller eksplosjon.

3. **Ikke oppbevar og bruk koblingen på steder hvor temperaturen kan komme opp i eller overskride 50 °C.** Oppbevares på et tørt sted og utilgjengelig for barn. Det er en risiko for uhell.
4. **Ikke berør terminalene med våte hender.** Fare for elektrisk støt.
5. **Ikke la koblingen falle.** Fare for feilfunksjon.

TA VARE PÅ DISSE INSTRUKSJONENE – Denne håndboken inneholder viktige sikkerhets- og bruksanvisninger for koblingen.
Ved utlån av koblingen må du alltid legge ved denne bruksanvisningen.

Sikkerhetsadvarsler for radiobølger

1. **Ikke bruk produktet nær elektronisk utstyr med presisjonskontroll og svake signaler. (Eksempler på elektronisk utstyr som krever forsiktighet: høreapparat, pacemaker, annet medisinsk utstyr, brannalarm, automatisk dør eller annet automatisk kontrollert utstyr).**
2. Radiobølgene fra dette produktet kan ikke garanteres i alle miljøer. I følgende tilfeller kan det hende at radiobølgen ikke kommer fram eller at den blir brutt.
 - Når produktet brukes i bygninger der det brukes betong, armeringsjern eller metall.
 - Når produktet brukes i nærheten av hindringer.
 - Når produktet blir forstyrret av trådløst kommunikasjonsutstyr som brukes samme frekvens.
 - Når produktet brukes i nærheten av utstyr som for eksempel mikrobølgeovner som genererer magnetfelt, statisk elektrisitet eller radioforstyrrelser.

RESPEKTIVE VAREMERKER og REGISTRERTE VAREMERKER



- Bluetooth®-ordmerket og -logoene er registrerte varemerker som tilhører Bluetooth SIG, Inc., og all bruk av slike merker av Makita, skjer på lisens. Andre varemerker og handelsnavn tilhører sine respektive eiere.
- Android og Google Play er varemerker eller registrerte varemerker for Google LLC.
- iPhone er et varemerke for Apple Inc. som er registrert i USA og andre land.
- iPhone-varemerket brukes på lisens fra Aiphone Co., Ltd.
- App Store er et servicemerke for Apple Inc.
- Alle andre varemerker i dette dokumentet eies av sine respektive eiere.
Merk at merkene ™ og ® utelates i noe av hovedteksten.

DELEBESKRIVELSE

► Fig.2

1. **Knapp**
2. **USB-port**
For kommunikasjon med en PC. Kan ikke brukes til lading av USB-enheter.
3. **Status**

Lampe	Status
Av	Strømkilde (batteri/USB) er ikke koblet til denne koblingen.
Lyser grønt	Strømkilden er tilkoblet denne koblingen.
Blinker rødt	Feil med datalesing/-skrivning

4. **Modus**
Se webhåndboken for appen angående detaljer for hver modus.

Lampe	Modus
Av	Kommunikasjonsmodus (Comm)
Lyser rødt	Frittstående modus (batteri)
Lyser grønt	Frittstående modus (verktøy)

5. USB-tilkobling

Lampe	USB-kontakt
Av	PC-appen er ikke tilkoblet denne koblingen.
Lyser grønt	PC-appen er tilkoblet denne koblingen.
Blinker grønt (hurtig)	Kommuniserer med PC-appen

6. Bluetooth-forbindelse

Lampe	Bluetooth-forbindelse
Av	Radiobølger genereres ikke.
Lyser blått	Tilkobling er etablert.
Blinker blått	Radiobølger genereres. (Tilkobling er ikke etablert.)
Blinker blått (hurtig)	Kommuniserer med smarttelefon-app

HVA DU KAN GJØRE MED ADP12

For detaljer om hvordan du bruker appen, kan du se app-webhåndboken for ADP12. (Se fig.1.)

Egenskaper

- **Tyverisikringsinnstilling (PIN-kode)**
Du kan angi PIN-koden for hvert verktøy og batteri. Bare kombinasjonen av verktøy og batteri med samme PIN-kode kan brukes.
- **Innstilling av batteri-tidsstyring**
Et utløpstidspunkt/-dato kan stilles inn på batterier i henhold til en arbeidsplan slik at batteriene ikke kan brukes etter at arbeidet er fullført.
- **Serviceassistanse**
 - **Verktøykontroll**
Verktøystatus og driftshistorikk kan vises.
 - **Batterikontroll**
Batteristatus og driftshistorikk kan vises.
 - **Notisblokk-registrering**
Du kan registrere tegn i verktøyet og batteriet (antall tegn som kan registreres, avhenger av modellen). Det brukes til verktøyadministrasjon og vedlikeholdshistorikk.

MERK: Enkelte funksjoner er ikke tilgjengelige, avhengig av verktøyet.

MERK: I verktøykontrollen kan tallet for driftshistorikken vises selv med et helt nytt verktøy, på grunn av inspeksjonene på fabrikkene etc.

FØR BRUK

Installere appen

- Appen er gratis, men en separat kommunikasjonsavgift vil kanskje påløpe ved nedlasting.
- Appen er utelukkende for Makita-produkter.
- Bruk appen etter å ha god tatt brukervilkårene for den nyeste versjonen av applikasjonen. Ved første oppstart eller når du installerer appen, vil brukervilkårene bli vist på skjermen.
- Applikasjonsskjermen vil kanskje bli endret eller utilgjengelig uten varsel ved fremtidige oppdateringer.

For smarttelefoner/nettbrett

Klargjøring på forhånd

En smarttelefon eller et nettbrett (iOS eller Android) kreves for å kunne bruke appen.

- iOS (iPhone): iOS 13 eller nyere kreves.
- Android: Android-versjon 9,0 eller nyere kreves. Med noen unntak, må Android-enheter tillate at stedsinformasjon brukes til Bluetooth-forbindelser.

Installere appen

1. Søk etter "Makita Tool Management" på App Store eller Google Play.
Du kan også få tilgang ved å bruke QR-koden i følgende figur.

Nedlastingssted for smarttelefon-app

► Fig.3

2. Installer appen. Et "Makita Tool Management"-ikon blir opprettet på startskjermbildet.

For PC-er

Systemkrav

PC-en må oppfylle følgende krav for å bruke appen.

- OS: Windows 10 eller Windows 11

Installere appen

1. Gå til URL-adressen som vises i følgende figur.

Nedlastingssted for PC-app

► Fig.4

2. Last ned "MakitaToolManagementSetup_EN_v1020.exe" og installer appen.

Koble til PC-en

Før du starter appen, må du koble denne koblingen til PC-en.

► Fig.5

OBS: Ikke koble fra USB-kabelen mens lampen for USB-forbindelse på koblingen blinker.

Installere batteriet/verktøyet

Valgfritt tilbehør

Før du starter appen, må du sette inn batteriet og verktøyet i denne koblingen.

Sette inn eller ta ut batteri

⚠FORSIKTIG: Batteriet må alltid settes helt inn, så langt at den røde indikatoren ikke lenger er synlig. Hvis ikke, kan det komme til å falle ut av koblingen, noe som kan skade deg eller noen rundt deg.

⚠FORSIKTIG: Vær forsiktig så du ikke klemmer fingeren mellom batteriet og terminalene.

OBS: Lad batteriet før bruk. Et batteri som ikke har gjenværende batterinivå, kan ikke brukes.

OBS: Når du tar ut batteriet, må du forvise deg om at det installerte verktøyet har stoppet helt og det ikke er noen kommunikasjon med appen. Ellers kan det oppstå en funksjonsfeil.

Når du skal sette inn batteriet, må du plassere tungen på batteriet på linje med sporet i huset og skyve batteriet på plass. Skyv det helt inn til det går i inngrep med et lite klikk. Hvis du kan se den røde indikatoren som vist i figuren, er det ikke helt låst.
For å ta ut batteriet må du skyve det fra koblingen mens du skyver knappen foran på batteriet.

► Fig.6: 1. Rød indikator 2. Knapp 3. Batteriinnsetts

Sette inn eller ta ut verktøy

⚠FORSIKTIG: Sett aldri fingeren på bryteren på verktøyet. Ellers kan det starte utilsiktet og forårsake personskade.

OBS: Når du setter inn eller tar ut verktøyet, må du forvise deg om at verktøyet som er satt inn, har stoppet helt. Ellers kan det oppstå en funksjonsfeil.

OBS: Når du tar ut verktøyet, må du forvise deg om at det ikke er noen kommunikasjon med appen. Ellers kan det oppstå en funksjonsfeil.

MERK: Verktøyet fungerer ikke med denne koblingen tilkoblet.

Monter verktøyet ved å plassere tungen på koblingen på linje med sporet i huset og skyve det på plass. Skyv det helt inn til det går i inngrep med et lite klikk.

For å ta ut verktøyet må du skyve det fra koblingen mens du skyver knappen foran på koblingen.

► Fig.7

FEILSØKING

Før du bestiller reparasjon, bør du kontrollere følgende punkter.

Unormal tilstand	Sannsynlig årsak (feil)	Løsning
Koblingen kan ikke slås på. Statuslampen lyser ikke.	Lav resterende batterikapasitet.	Lad batteriet.
	Batteriet er ikke riktig satt inn.	Fjern batteriet én gang. Sett inn batteriet igjen som beskrevet i denne håndboken.
Statuslampen blinker rødt.	Verktøyet er ikke riktig satt inn.	Ta ut verktøyet én gang. Sett i verktøyet igjen som beskrevet i denne håndboken.
	Batteriet er ikke riktig satt inn.	Fjern batteriet én gang. Sett inn batteriet igjen som beskrevet i denne håndboken.
Koblingen kan ikke etablere forbindelse med smarttelefonen/nettbrettet.	Signalet er svakt.	Plasser smarttelefonen/nettbrettet nærmere koblingen.
	Bluetooth-forbindelsen til smarttelefonen/nettbrettet er deaktivert.	Aktiver Bluetooth-forbindelsen til smarttelefonen/nettbrettet.
USB-forbindelsen med PC-en virker ikke.	USB-kabelen er ikke plugget ordentlig inn.	Kontroller at USB-kabelen er plugget godt inn i USB-porten.
	Kabelen er ødelagt.	Bruk en annen USB-kabel.
	USB-kabelen er utenfor spesifikkasjonen.	Bruk USB-kabelen som er spesifisert i denne håndboken. Se avsnittet for spesifikasjoner.

Hvis ikke problemet kan bli løst selv etter å ha utført tiltakene over, kan det hende at koblingen er defekt. Ta kontakt med Makitas godkjente servicesentre.

VEDLIKEHOLD

⚠️ FORSIKTIG: Forviss deg alltid om at maskinen er slått av og batteriet tatt ut før du foretar inspeksjon eller vedlikehold.

OBS: Ikke vask koblingen med vann. Fare for feilfunksjon.

OBS: Tørk av utsiden av koblingen regelmessig med en klut fuktet i såpevann.

OBS: Aldri bruk gasolin, bensin, tynner alkohol eller lignende. Det kan føre til misfarging, deformering eller sprekkdannelse.

For å opprettholde produktets SIKKERHET og PÅLITELIGHET, må reparasjoner, vedlikehold og justeringer utføres av autoriserte Makita servicesentre eller fabrikk-servicesentre, og det må alltid brukes reservedeler fra Makita.

TEKNISET TIEDOT

Malli:	ADP12	
Sopiva akkupaketti	BL4020 / BL4025 / BL4040 / BL4050F / BL4080F	
Mitat (P x L x K) (ilman akkua ja työkalua)	98 mm x 85 mm x 55 mm	
Nettopaino (ilman akkua ja työkalua)	0,17 kg	
Bluetooth	Bluetooth®-versio	5,1 (Bluetooth low energy)
	Lähetyskantama	Noin 10 m
	Taajuuskaista	2 402 MHz–2 480 MHz
	Suurin radiotaajuusteho	0,11 dBm (EIRP)

- Jatkuvasta tutkimus- ja kehitystyöstämme johtuen esitetyt tekniset tiedot saattavat muuttua ilman erillistä ilmoitusta.
- Tekniset tiedot voivat vaihdella maittain.
- Eräitä yllä luetelluista akkupaketeista ei välttämättä ole saatavilla sinun asuinalueellasi.

Sopiva USB-kaapeli

Käytä USB-kaapelia, jossa on USB Type-C-liitäntä. Suosittelemme USB-IF-hyväksytyä, suojattua USB-kaapelia, jonka pituus on enintään noin 1,8 m.

Käyttökelpoinen johdollinen virtälähde

Se, voidaan johdollista virtälähdettä käyttää, vaihtelee sen mukaan, mitä työkalua sen kanssa käytetään. Katso työkalun tekniset tiedot.

Yhteensopimattomia työkaluja koskeva huomautus



Kaikki työkalut eivät ole yhteensopivia tämän liittimen kanssa. Katso tarkat mallinumerot kuvan [www.oppaasta](#).

Sovelluksen [www.opas tuotteelle ADP12](#)

► Kuva1

Symbolit

Laitteessa on mahdollisesti käytetty seuraavia symboleja. Opettele niiden merkitys ennen käyttöä.

	Lue käyttöohje.
	Vain sisäkäyttöön.



Koskee vain EU-maita
Käytetyillä sähkö- ja elektroniikkalaitteilla, paristoilla ja akuilla voi olla negatiivisia ympäristö- ja terveysvaikutuksia niissä käytettyjen haitallisten osien takia.



Älä hävitä sähkö- ja elektroniikkalaitteita tai akkuja kotitalousjätteen mukana!

Vanhoja sähkö- ja elektroniikkalaitteita, paristoja ja akkuja koskevan EU-direktiivin ja sen perusteella laadittujen kansallisten lakien mukaan käytetyt sähkö- ja elektroniikkalaitteet, paristot ja akut on kierrätettävä toimittamalla ne erilliseen, ympäristösuojelusäädösten mukaisesti toimivaan kierrätyspisteeseen.

Tämä on ilmaistu laitteessa olevalla yliveidetyt roska-astian symbolilla.

Vaatimustenmukaisuusvaatimukset

Koskee vain Euroopan maita

Vaatimustenmukaisuusvakuutukset on liitetty tähän käyttöoppaaseen liitteeksi A.

TURVAVAROITUKSET

Tutustu ennen liittimen käyttöönottoa kaikkiin liittimen, akkupaketin ja tätä liitintä käyttävän tuotteen ohjeisiin ja varoitusmerkintöihin.

Noudata kaikkia turvallisuusvaroituksia ja käyttöohjeita. Jos varoitusten ja ohjeiden noudattaminen laiminlyödään, seurauksena voi olla sähköisku, tulipalo ja/tai vakava vamma.

Työskentelyalueen turvallisuus

1. **Älä altista tätä liitintä sateelle, lumelle tai kosteille olosuhteille.** Muuten liittimeen saattaa päästä vettä, mistä voi seurata sähköisku tai oikosulku.
2. **Älä käytä liitintä paikoissa, joissa on räjähdysvaara esimerkiksi syttyvien nesteiden, kaasujen tai pölyn takia.** Räjähdyksen tai tulipalon vaara.

Sähköturvallisuus

1. Käytä USB-kaapelia, jossa on USB Type-C-liitäntä. Älä muuta USB-kaapelia. Muuten seurauksena voi olla toimintahäiriö.
2. Älä oikosulje liitäntää. Pidä liitäntä etäällä muista metalliesineistä, kuten neuoista tai rautalangoista, jotka saattavat liittää liitäntän toiseen. Liitäntöjen oikosulkeminen voi aiheuttaa palovammoja tai tulipalon.
3. Käytä liitintä vain määritysten mukaisten akkupakettien kanssa. Älä käytä akkua, jos sitä on muutettu. Muun tyyppisten akkupakettien käyttäminen voi aiheuttaa tapaturma- ja tulipalovaaran.

Huolto

1. Anna pätevän korjaajan huoltaa liitin käyttäen vain identtisiä varaosia. Näin varmistetaan, että liittimen turvallisuus säilyy. Älä pura tai peukaloi liitintä. Se voi johtaa tulipaloon, ylikuumenemiseen tai räjähdykseen. Jos huomaat liittimessä jotain poikkeavaa, lähetä se Makitan valtuuttamaan huoltoon tai tehtaan huoltopisteeseen tarkastettavaksi ja korjattavaksi. Jos tuotteen korjaa henkilö, jolla ei ole tarvittavia tietoja ja taitoja, tuote ei toimi kunnolla ja seurauksena voi olla onnettomuus tai henkilövahinko.

Muut turvallisuusohjeet

1. Tarkasta, onko vaurioituneita osia. Jos jotain poikkeavaa tai toimintahäiriö esiintyy, lopeta liittimen käyttö välittömästi. Jos käyttöä jatketaan, seurauksena voi olla savua/tulipalo, sähköisku ja vammoja. <Esimerkkejä epänormaalista toiminnasta/toimintahäiriöistä>
 - Kaapeli tai liitäntä on epätavallisen kuuma.
 - Syviä naarmuja tai vääntymistä.
 - Kun USB-kaapelia kosketetaan, johtimet saattavat olla jännitteisiä.
 - Palaneen hajua.
 - Sähköinen tunne.Jos huomaat jonkin ongelman, irrota virtalähde välittömästi liittimestä ja ota yhteyttä Makitan valtuuttamaan huoltoon tai tehtaan huoltopisteeseen tarkastusta ja huoltoa varten.
2. Jos huomaat jotakin poikkeavaa, kuten akkupaketin kuumenemista käytön aikana, poista akkupaketti välittömästi ja lopeta sen käyttö. Käytön jatkamisesta voi seurata savua, tulipalo tai räjähdys.
3. Älä säilytä ja käytä liitintä paikassa, jossa lämpötila voi nousta 50 °C:een tai korkeammaksi. Säilytä kuivassa paikassa poissa lasten ulottuvilta. Tapaturman vaara.
4. Älä kosketa liitäntöjä märin käsin. Sähköiskun vaara.
5. Älä pudota liitintä. Toimintahäiriön vaara.

SÄILYTÄ NÄMÄ OHJEET – Näissä ohjeissa on tärkeitä liitintä koskevia turvallisuus- ja käyttöohjeita. Anna liittimen lainaajalle mukaan aina myös nämä käyttöohjeet.

Radioaaltoja koskevia turvavaroituksia

1. Älä käytä tätä tuotetta lähellä elektronisia laitteita, joissa on tarkka ohjaus ja heikkoja signaaleja. (Esimerkkejä huomiota vaativista elektronisista laitteista: kuulolaite, tahdistin, muut lääkinälliset laitteet, palohälytyn, automaattinen ovi ja muut automaattisesti ohjattavat laitteet).
2. Tämän tuotteen radioaaltoa ei taata kaikissa ympäristöissä. Seuraavissa tapauksissa radioaalto ei välttämättä tavoita tai se saattaa katketa.
 - Kun tuotetta käytetään rakennuksissa, joissa on käytetty betonia, raudoitusta tai metallia.
 - Kun tuotetta käytetään esteiden lähellä.
 - Kun samaa taajuutta käyttävät langattomat viestintälaitteet häiritsevät tätä tuotetta.
 - Kun tuotetta käytetään lähellä laitteita, kuten mikroaaltouuneja, jotka tuottavat magneettikenttiä, staattista sähköä tai radiohäiriöitä.

VASTAAVAT TAVARAMERKIT ja REKISTERÖIDYT TAVARAMERKIT



- Bluetooth®-sanamerkki ja -logot ovat Bluetooth SIG, Inc. -yhtiön omistamia rekisteröityjä tavaramerkkejä, ja näiden merkkien mikä tahansa käyttö Makitan toimesta on lisenssin alainen. Muut tavaramerkit ja kaupanimet ovat omistajiensa omaisuutta.
- Android ja Google Play ovat Google LLC -yhtiön tavaramerkkejä tai rekisteröityjä tavaramerkkejä.
- iPhone on Apple Inc. -yhtiön tavaramerkki, joka on rekisteröity USA:ssa ja muissa maissa.
- iPhone-tavaramerkkiä käytetään Aiphone Co., Ltd -yhtiön lisenssillä.
- App Store on Apple Inc. -yhtiön palvelumerkki.
- Kaikki muut tässä asiakirjassa käytetyt tavaramerkit ovat omistajiensa omaisuutta. Huomaa, että ™- ja ®-merkit on jätetty pois osassa pääteksiä.

OSIEN KUVAUS

► Kuva2

- Painike**
- USB-portti**
Tiedonsiirton tietokoneen kanssa. Ei voida käyttää USB-laitteiden lataamiseen.
- Tila**

Merkkivalo	Tila
Pois päältä	Liittimeen ei ole liitetty virtalähdettä (akkupaketti/USB).
Palaa vihreänä	Liittimeen on liitetty virtalähde.
Vilkkuu punaisena	Datan luku-/latausvirhe

- Tila**
Katso sovelluksen www-oppaasta lisätietoja eri tiloista.

Merkkivalo	Tila
Pois päältä	Tiedonsiirtoila (comm)
Palaa punaisena	Itsenäinen tila (akku)
Palaa vihreänä	Itsenäinen tila (työkalu)

5. USB-yhteys

Merkkivalo	USB-yhteys
Pois päältä	Liittimeen ei ole liitetty tietokonesovellusta.
Palaa vihreänä	Liittimeen on liitetty tietokonesovellus.
Vilkkuu vihreänä (nopeasti)	Tietoja siirretään tietokonesovelluksen kanssa

6. Bluetooth-yhteys

Merkkivalo	Bluetooth-yhteys
Pois päältä	Radioaaltoa ei tuoteta.
Palaa sinisenä	Yhteys on muodostettu.
Vilkkuu sinisenä	Radioaaltoa tuotetaan. (Yhteyttä ei ole muodostettu.)
Vilkkuu sinisenä (nopeasti)	Tietoja siirretään älypuhelinsovelluksen kanssa

MITÄ ADP12:LLA VOIDAAN TEHDÄ

Katso lisätietoja sovelluksen käyttämisestä ADP12:n sovelluksen www-oppaasta. (Katso kuva 1.)

Ominaisuudet

- Varkaudenestoasetus (PIN-koodi)**
Voit asettaa PIN-koodin jokaiselle työkalulle ja akkupaketille. Vain sellaista työkalun ja akkupaketin yhdistelmää voidaan käyttää, joiden PIN-koodit täsmäävät.
- Akun ajastinasetus**
Akkupaketeille voidaan asentaa vanhenemisaika/-päivä rakentamisaikataulun mukaan niin, että paketteja ei voi käyttää rakentamisen päättymisen jälkeen.
- Huoltoapu**
 - Työkalun tarkistus**
Työkalun tila ja käyttöhistoria voidaan näyttää.
 - Akun tarkistus**
Akun tila ja käyttöhistoria voidaan näyttää.
 - Muistion rekisteröinti**
Voit rekisteröidä merkkejä työkaluun ja akkupakettiin (rekisteröitävien merkkien määrä vaihtelee mallin mukaan). Sitä käytetään työkalun hallintaa ja huoltohistoriaa varten.

HUOMAA: Kaikki ominaisuudet eivät ole käytettävissä kaikissa työkaluissa.

HUOMAA: Työkalun tarkistuksessa voidaan näyttää käyttöhistorian numero, vaikka työkalu olisi uusi, tehtaan tarkastusten yms. johdosta.

ENNEN KÄYTTÖÄ

Sovelluksen asentaminen

- Sovellus on maksuton, mutta latauksesta saatetaan veloittaa tiedonsiirtomaksu.
- Sovellus on tarkoitettu yksinomaan Makitan tuotteille.
- Käytä sovellusta, kun olet hyväksynyt sovelluksen käyttöehtojen uusimman version. Käyttöehtonäyttö tulee esiin, kun sovellus käynnistetään ensimmäisen kerran tai asennetaan.
- Sovelluksen näyttö saattaa muuttua tai poistua käytöstä ilman eri ilmoitusta tulevien päivitysten johdosta.

Älypuhelimet/tabletit

Ennakkovalmistelu

Sovelluksen käyttöön tarvitaan älypuhelin/tabletti (iOS tai Android).

- iOS (iPhone): iOS 13 tai uudempi vaaditaan.
- Android: Android Version 9,0 tai uudempi vaaditaan.
Eräitä poikkeuksia lukuun ottamatta Android-laitteissa tulee sallia sijaintitietojen käyttäminen Bluetooth-yhteyksiä varten.

Sovelluksen asentaminen

1. Etsi "Makita Tool Management" App Storesta tai Google Playstä.
Voit käyttää myös seuraavassa kuvassa olevaa QR-koodia.

Älypuhelinsovelluksen lataussivusto

► Kuva3

2. Asenna sovellus. Aloitusnäyttöön luodaan "Makita Tool Management" -kuvake.

Tietokoneet

Järjestelmävaatimukset

Tietokoneen täytyy täyttää seuraavat vaatimukset, jotta sovellusta voidaan käyttää.

- Käyttöjärjestelmä: Windows 10 tai Windows 11

Sovelluksen asentaminen

1. Siirry seuraavassa kuvassa olevaan URL-osoitteeseen.

Tietokonesovelluksen lataussivusto

► Kuva4

2. Lataa "MakitaToolManagementSetup_EN_v1020.exe" ja asenna sovellus.

Tietokoneen yhdistäminen

Yhdistä tämä liitin tietokoneeseen ennen sovelluksen käynnistämistä.

► Kuva5

HUOMAUTUS: Älä irrota USB-kaapelia, kun liittimen USB-yhteyden merkkivalo vilkkuu.

Akkupaketin/työkalun asentaminen

Lisävaruste

Asenna akkupaketti ja työkalu tähän liittimeen ennen sovelluksen käynnistämistä.

Akkupaketin asentaminen ja irrottaminen

▲HUOMIO: Paina akkupaketti aina pohjaan asti niin, että punainen ilmaisin ei enää näy. Muuten se saattaa pudota vahingossa liittimestä ja aiheuttaa vammoja sinulle tai sivullisille.

▲HUOMIO: Ole varovainen, jotta sormesi ei jää puristuksiin akkupaketin ja liitäntöjen väliin.

HUOMAUTUS: Lataa akkupaketti ennen käyttöä. Tyhjentynyt akkupakettia ei voi käyttää.

HUOMAUTUS: Varmista akkupakettia irrottaessasi, että asennettu työkalu on täysin pysähtynyt ja että tiedonsiirtoa sovelluksen kanssa ei ole.

Muuten seurauksena voi olla toimintahäiriö.

Kun asennat akkupakettia, kohdista akkupaketin uloke kotelon uraan ja liu'uta se paikalleen. Paina se pohjaan asti niin, että kuulet sen napsahdavan paikoilleen. Jos näet kuvan mukaisen punaisen ilmaisimen, se ei ole lukittunut kunnolla. Irrota akkupaketti liu'uttamalla sen etupuolella olevaa painiketta ja vetämällä se ulos liittimestä.

- **Kuva6:** 1. Punainen ilmaisin 2. Painike
3. Akkupaketti

Työkalun asennus ja irrotus

▲HUOMIO: Älä laite sormea työkalun kytkimelle. Muuten työkalu saattaa käynnistyä vahingossa ja aiheuttaa vammoja.

HUOMAUTUS: Kun asennat tai irrotat työkalua, varmista, että asennettu työkalu on pysähtynyt täysin. Muuten seurauksena voi olla toimintahäiriö.

HUOMAUTUS: Kun irrotat työkalua, varmista, että tiedonsiirtoa sovelluksen kanssa ei ole. Muuten seurauksena voi olla toimintahäiriö.

HUOMAA: Työkalua ei voi käyttää, kun tämä liitin on kiinnitetty.

Asenna työkalu sovitamalla liittimen kieleke kotelon uraan ja painamalla se sitten paikoilleen. Paina se pohjaan asti niin, että kuulet sen napsahdavan paikoilleen. Irrota työkalu liu'uttamalla tämän liittimen etupuolella olevaa painiketta ja vetämällä työkalu ulos liittimestä.

► Kuva7

VIANMÄÄRITYS

Tarkasta seuraavat kohdat ennen korjauspyyntöä.

Epänormaali tila	Todennäköinen syy (toimintahäiriö)	Korjaus
Liittintä ei voi kytkeä päälle. Tilan merkkivalo ei syty.	Jäljellä oleva akkukapasiteetti on alhainen. Akkupaketti on asennettu väärin.	Lataa akkupaketti. Irrota akkupaketti kerran. Asenna akkupaketti uudelleen tämän käyttöohjeen ohjeiden mukaan.
Tilan merkkivalo vilkkuu punaisena.	Työkalu on asennettu väärin. Akkupaketti on asennettu väärin.	Irrota työkalu kerran. Asenna työkalu uudelleen tämän käyttöohjeen ohjeiden mukaan. Irrota akkupaketti kerran. Asenna akkupaketti uudelleen tämän käyttöohjeen ohjeiden mukaan.
Liitin ei voi muodostaa yhteyttä älypuheliimeen/tablettiin.	Signaali on heikko. Älypuheliimen/tabletin Bluetooth-yhteys on poistettu käytöstä.	Vie älypuhelin/tabletti lähemmäs liitintä. Ota älypuheliimen/tabletin Bluetooth-yhteys käyttöön.
USB-yhteys tietokoneen kanssa ei toimi.	USB-kaapelia ei ole kytketty kunnolla. Kaapeli on rikki. USB-kaapeli ei ole määrityksen mukainen.	Varmista, että USB-kaapeli on kytketty kunnolla USB-porttiin. Käytä toista USB-kaapelia. Käytä tässä oppaassa määritettyä USB-kaapelia. Katso kohta Tekniset tiedot.

Jos ongelma ei ratkea edellä olevien toimenpiteiden suorittamisen jälkeenkään, liitin saattaa olla viallinen. Ota yhteys valtuutettuun Makita-huoltoiliikkeeseen.

KUNNOSSAPITO

⚠️HUOMIO: Varmista aina ennen tarkastusta tai huoltoa, että työkalu on sammutettu ja akku irrotettu.

HUOMAUTUS: Älä pese liittintä vedellä.
Toimintahäiriön vaara.

HUOMAUTUS: Pyyhi aika ajoin liittimen ulkopuoli saippuvedellä kostutetulla liinalla.

HUOMAUTUS: Älä koskaan käytä bensiiniä, ohenteita, alkoholia tai tms. aineita. Muutoin pinta voi halkeilla tai sen värit ja muoto voivat muuttua. Muutoin laitteeseen voi tulla värjäytymiä, muodon vääristymiä tai halkeamia.

Tuotteen TURVALLISUUDEN ja LUOTETTAVUUDEN takaamiseksi korjaukset, muut huoltotyöt ja säädöt on teetettävä Makitan valtuutetussa huoltopisteessä Makitan varaosia käyttäen.

SPECIFIKĀCIJAS

Modelis:		ADP12
Piemērotā akumulatora kasetne		BL4020 / BL4025 / BL4040 / BL4050F / BL4080F
Izmēri (G x P x A) (Bez akumulatora un darbarīka)		98 mm x 85 mm x 55 mm
Neto svars (Bez akumulatora un darbarīka)		0,17 kg
Bluetooth	Bluetooth® versija	5,1 (enerģotaupīga Bluetooth tehnoloģija)
	Uztveršanas attālums	Aptuveni 10 m
	Frekvenču diapazons	2 402 MHz–2 480 MHz
Maksimālā pārraidītā radiosignaļa jauda		0,11 dBm (EIRP)

- Nepārtrauktās izpētes un izstrādes programmas dēļ šeit uzrādītās specifikācijas var tikt mainītas bez brīdinājuma.
- Atkarībā no valsts specifikācijas var atšķirties.
- Dažas no iepriekš norādītajām akumulatora kasetnēm var nebūt pieejamas atkarībā no jūsu mītnes reģiona.

Piemērotais USB kabelis

Izmantojiet USB kabeli, kas atbilst USB C tipa pieslēgvietai.
Iesakām lietot USB kabeli ar ekranējumu, USB-IF apstiprinājumu un garumu, kas nepārsniedz 1,8 m.

Piemērojamais ar vadu savienojamais barošanas avots

Tas, vai ar vadu savienojamais barošanas avots ir piemērots vai ne, ir atkarīgs no darbarīka, ar kuru to paredzēts lietot. Skatiet darbarīka specifikāciju.

Paziņojums par nesaderīgiem darbarīkiem

Daži darbarīki ir nesaderīgi ar šo savienotāju.
Konkrētos modeļu numurus, lūdzu, skatiet tīmekļa rokasgrāmatas attēla.

Lietotnes tīmekļa rokasgrāmatā modelim ADP12
► Att.1

Simboli

Tālāk ir attēloti simboli, kas var attiekties uz darbarīka lietošanu. Pirms darbarīka izmantošanas pārliecinieties, vai pareizi izprotat to nozīmi.



Izlasiet lietošanas rokasgrāmatu.



Lietot tikai telpās.



Ni-MH
Li-ion

Tikai ES valstīm
Tā kā šajā aprīkojumā ir bīstamas sastāvdaļas, elektrisko un elektronisko iekārtu, akumulatoru un bateriju atkritumi var negatīvi ietekmēt apkārtējo vidi un cilvēka veselību.

Elektroierīces, elektroniskās ierīces un akumulatorus nedrīkst izmest kopā ar mājsaimecības atkritumiem!
Saskaņā ar Eiropas direktīvu par elektrisko un elektronisko iekārtu atkritumiem, akumulatoriem un baterijām, kā arī akumulatoru un bateriju atkritumiem un šīs direktīvas pielāgošanu valsts tiesību aktiem elektrisko un elektronisko iekārtu, bateriju un akumulatoru atkritumi ir jāglabā atsevišķi un jānogādā uz sadzīves atkritumu dalītās savākšanas vietu, ievērojot attiecīgos vides aizsardzības noteikumus.
Par to liecina uz iekārtas redzams simbols ar pārsvītrotu atkritumu konteineru uz rītniem.

Atbilstības deklarācijas

Tikai Eiropas valstīm

Atbilstības deklarācijas šajā lietošanas rokasgrāmatā ir iekļautas kā A pielikums.

DROŠĪBAS BRĪDINĀJUMI

Pirms izmantojat šo savienotāju, izlasiet visus norādījumus un brīdinājumus, kas attiecas uz šo savienotāju, akumulatora kasetni un ierīci, kurā tiek izmantots šis savienotājs.
Ievērojiet visus drošības brīdinājumus un norādījumus. Brīdinājumu un instrukciju neievērošanas gadījumā var rasties elektriskās strāvas trieciena, aizdegšanās un/vai smagu traumu risks.

Darbavietas drošība

1. **Sargiet šo savienotāju no lietus, sniega un slapjuma.** Pretējā gadījumā savienotājā var iekļūt ūdens, izraisot elektriskās strāvas triecienu vai īssavienojumu.
2. **Nelietojiet šo savienotāju sprādzienbīstamā vidē, piemēram, ugunsdrošu šķidrums, gāzu vai putekļu tuvumā.** Sprādziena vai aizdegšanās risks.

Elektriskā drošība

1. **Izmantojiet USB kabeli, kas atbilst USB C tipa pieslēgvietai. Nepārveidojiet USB kabeli.** Pretējā gadījumā ir iespējami darbības traucējumi.
2. **Neslēdziet spaiļes īsslēgumā. Sargiet spaiļes no citiem metāla priekšmetiem, piemēram, adatām un stieplēm, kas var izveidot savienojumu no vienas spaiļes uz otru.** Spaiļu īssavienojums var izraisīt apdegumus vai aizdegšanos.
3. **Izmantojiet šo savienotāju tikai ar paredzētajiem akumulatoriem. Neizmantojiet pārveidotu akumulatoru.** Jebkuru cita tipa akumulatoru izmantošana var radīt traumu un aizdegšanās risku.

Apkope

1. **Uzticiet šā savienotāja apkopi kvalificētam remonta speciālistam, kurš izmanto tikai identiskas rezerves daļas.** Tādējādi tiks garantēta šā savienotāja drošība.
Šo savienotāju nedrīkst ne pārveidot, ne izjaukt. Pretējā gadījumā var notikt aizdegšanās, rasties pārmērīgs karstums vai sprādziens.
Ja pamanāt jebko neparastu saistībā ar šo savienotāju, nosūtiet to uz Makita pilnvarotu vai rūpnīcas servisa centru, lai veiktu pārbaudes un remontu.
Ja šo izstrādājumu remontē persona bez attiecīgām zināšanām un iemaņām, tad ne tikai šis izstrādājums nedarbosies apmierinoši, bet arī pastāv negadījuma vai traumu risks.

Papildu drošības brīdinājumi

1. **Apskatiet, vai nav bojātu detaļu. Ja rodas neparastas parādības vai darbības traucējumi, nekavējoties pārtrauciet lietot šo savienotāju.** Ja turpināsiet to lietot, var rasties dūmi/aizdegšanās, elektriskās strāvas trieciens un traumas.
<Neparastu parādību/darbības traucējumu piemēri>
 - Kabelis vai spaiļes ir neparasti karsti.
 - Dziļi skrāpējumi vai deformācija.
 - Pieskaroties USB kabelim, vadītājos var būt un var nebūt spriegums.
 - Deguma smaka.
 - Jūtama elektrība.**Ja jūtat jebkādas problēmas, uzreiz atvienojiet strāvas avotu no savienotāja un sazinieties ar Makita pilnvarotu vai rūpnīcas servisa centru, lai veiktu pārbaudes un remontu.**
2. **Ja pamanāt jebkādas neparastas parādības, piemēram, karstuma veidošanos akumulatora kasetnē darbības laikā, uzreiz noņemiet un pārtrauciet lietot šo akumulatora kasetni.** Turpmāka lietošana var izraisīt dūmošanu, aizdegšanos vai sprādzienu.

3. **Neglabājiet un neizmantojiet šo savienotāju vietās, kur temperatūra var sasniegt vai pārsniegt 50 °C.** **Glabājiet sausā, bērniem nepieejamā vietā.** Pastāv negadījumu risks.
4. **Ar mitrām rokām nepieskarieties spaiļēm.** Elektriskās strāvas triecienu risks.
5. **Neļaujiet šim savienotājam krist no augstuma.** Darbības traucējumu risks.

SAGLABĀJIET ŠIS INSTRUKCIJAS – šajā dokumentā ir svarīgas šā savienotāja drošības un lietošanas norādes. Aizdodot šo savienotāju, vienmēr pievienojiet šo instrukciju rokasgrāmātai.

Drošības brīdinājumi attiecībā uz radioviļņiem

1. **Nelietojiet šo izstrādājumu tādu elektronisko ierīču tuvumā, kurās izmanto augstas precizitātes vadības un vājus signālus.** (Tādu elektronisko ierīču piemēri, attiecībā uz kurām nepieciešama piesardzība: dzirdes aparāts, sirds ritma stimulators, cits medicīniskais aprīkojums, ugunsgrēka trauksme, automātiskās durvis un citas ierīces ar elektronisku vadību).
2. Šā izstrādājuma radioviļņi nav garantēti visās vidēs. Tālāk minētajos gadījumos radioviļņi var nesasnēgt adresātu vai radioviļņi var tikt traucēti.
 - Lietojot šo izstrādājumu ēkās, kurās izmantots betons, armatūra vai metāls.
 - Lietojot šo izstrādājumu šķēršļu tuvumā.
 - Kad šim izstrādājumam traucē bezvadu sakaru ierīces, kas izmanto to pašu frekvenci.
 - Lietojot šo izstrādājumu tādu ierīču tuvumā kā mikroviļņu krāsnis, kas generē magnētisko lauku, statisko elektrību vai radio traucējumus.

ATTIECĪGĀS PREČZĪMES UN REGISTRĒTĀS PREČZĪMES



- „Bluetooth”[®] vārdiskā zīme un logotipi ir reģistrētas prečzīmes, kas pieder uzņēmumam „Bluetooth SIG, Inc.”, un uzņēmums „Makita” šīs zīmes izmanto saskaņā ar licenci. Citas prečzīmes un tirdzniecības zīmes pieder to attiecīgajiem īpašniekiem.
- „Android” un „Google Play” ir uzņēmuma „Google LLC” prečzīmes vai reģistrētas prečzīmes.
- „iPhone” ir uzņēmuma „Apple Inc.” prečzīme, kas reģistrēta ASV un citās valstīs.
- „iPhone” prečzīme tiek izmantota saskaņā ar uzņēmuma „Aiphone Co.”, Ltd. licenci.
- „App Store” ir uzņēmuma „Apple Inc” pakalpojumu zīme.
- Visas pārējās prečzīmes šajā dokumentā ir attiecīgo to īpašnieku īpašums.
Ņemiet vērā, ka zīmes [™] un [®] dažviet galvenajā tekstā ir izlaistas.

DETAĻU APRAKSTS

► Att.2

1. **Poga**
2. **USB pieslēgvietā**
Saziņai ar datoru. Nevar izmantot USB ierīču uzlādei.
3. **Statuss**

Indikators	Statuss
Izslēgts	Barošanas avots (akumulatora kasetne/USB) nav pievienots šim savienotājam.
Deg zaļā krāsā	Šim savienotājam ir pievienots barošanas avots.
Mirgo sarkanā krāsā	Datu nolasīšanas/ielādes kļūda

4. **Režīms**
Sīkākas ziņas par katru režīmu skatiet lietotnes rokasgrāmatā internetā.

Indikators	Režīms
Izslēgts	Sakaru (Comm) režīms
Deg sarkanā krāsā	Atsevišķais režīms (akumulators)
Deg zaļā krāsā	Atsevišķais režīms (darbarīks)

5. USB savienojums

Indikators	USB savienojums
Izslēgts	Datora lietotne nav pievienota šim savienotājam.
Deg zaļā krāsā	Datora lietotne ir pievienota šim savienotājam.
Mirgo zaļā krāsā (ātri)	Saziņa ar datora lietotni

6. Bluetooth savienojums

Indikators	Bluetooth savienojums
Izslēgts	Radioviļņi netiek ģenerēti.
Deg zilā krāsā	Savienojums izveidots.
Mirgo zilā krāsā	Radioviļņi tiek ģenerēti. (Savienojums nav izveidots.)
Mirgo zilā krāsā (ātri)	Saziņa ar viedtālruna lietotni

KO IR IESPĒJAMS DARĪT AR ADP12

Plašāku informāciju par to, kā lietot lietotni, skatiet lietotnes ADP12 rokasgrāmatā internetā. (Skatiet 1. att.)

Funkcijas

- **Pretnozagšanas iestatījums (PIN kods)**
Iespējams iestatīt PIN kodu katram darbarīkam un akumulatora kasetnei. Iespējams darbināt tikai darbarīka un akumulatora kasetnes kombināciju ar atbilstošiem PIN kodiem.
- **Akumulatora taimera iestatījums**
Akumulatora kasetnēm iespējams iestatīt derīguma beigu laiku/datumu atbilstoši būvniecības grafikam, lai kasetnes nevarētu izmantot pēc būvniecības darbu pabeigšanas.
- **Servisa palīdzība**
 - **Darbarīka pārbaudītājs**
Iespējams parādīt darbarīka statusu un darbības vēsturi.
 - **Akumulatora pārbaudītājs**
Iespējams parādīt akumulatora statusu un darbības vēsturi.
 - **Piezīmbloka reģistrācija**
Iespējams darbarīkā un akumulatora kasetnē ierakstīt rakstzīmes (rakstzīmju skaits, ko iespējams ierakstīt, ir atkarīgs no modeļa). To izmanto darbarīka pārvaldībai un apkopes vēsturei.

PIEZĪME: Dažas funkcijas var nebūt pieejamas atkarībā no darbarīka.

PIEZĪME: Darbarīka pārbaudītājā var tikt parādītas vairākas darbības vēsturē pat pilnīgi jaunam darbarīkam rūpnīcā veikto pārbaūžu dēļ u. tml.

PIRMS LIETOŠANAS

Lietotnes instalēšana

- Lietotne ir bezmaksas, bet var tikt piemērota īpaša maksa par sakariem, to lejupeļādējot.
- Šī lietotne paredzēta tikai Makita ražojumiem.
- Lūdzu, lietojiet lietotni pēc piekrišanas jaunākajai lietojumprogrammas lietošanas noteikumu versijai. Lietotnes pirmajā palaišanas reizē vai instalēšanas laikā tiks parādīts ekrāns ar lietošanas noteikumiem.
- Lietojumprogrammas ekrāns var tikt mainīts vai nebūt pieejams bez brīdinājuma turpmāko jauninājumu dēļ.

Viedtālruni/planšetdatoriem

Iepriekšēja sagatavošanās

Lai lietotu šo lietotni, nepieciešams viedtālrunis/planšetdators (iOS vai Android).

- iOS (iPhone): nepieciešama iOS 13 vai jaunāka versija.
- Android: nepieciešama Android versija 9,0 vai jaunāka versija.

Ar dažiem izņēmumiem Android ierīcēm jāatļauj izmantot lokācijas informāciju Bluetooth savienojumiem.

Lietotnes instalēšana

1. App Store vai Google Play veikalā sameklējiet „Makita Tool Management”. Tam var arī piekļūt, izmantojot tālāk attēlā redzamo kvadrātķodu.

Viedtālrunā lietotnes lejupielādes vieta

► Att.3

2. Instalējiet lietotni. Sākumekrānā tiks izveidota „Makita Tool Management” ikona.

Datoriem

Sistēmas prasības

Lai varētu izmantot šo lietotni, datoram jāatbilst šādām prasībām.

- OS: Windows 10 vai Windows 11

Lietotnes instalēšana

1. Piekļūstiet URL, kas parādīta tālāk ievietotajā attēlā.

Datora lietotnes lejupielādes vieta

► Att.4

2. Lejupielādējiet „MakitaToolManagementSetup_EN_v1020.exe” un instalējiet lietotni.

Datora pievienošana

Pirms lietotnes palaišanas savienojiet šo savienotāju ar datoru.

► Att.5

IEVĒRĪBAI: Neatvienojiet USB kabeli, kamēr mirgo USB savienojuma indikators uz šī savienotāja.

Akumulatora kasetnes/darbarīka uzstādīšana

Papildu piederumi

Pirms lietotnes palaišanas uzstādiet uz šī savienotāja akumulatora kasetni un darbarīku.

Akumulatora kasetnes uzstādīšana un izņemšana

⚠UZMANĪBU: Vienmēr ievietojiet akumulatora kasetni līdz galam, lai nav redzams sarkanais krāsas indikators. Ja tā nav ievietota līdz galam, tā var nejauši izkrist no šā savienotāja, savainojot jūs vai kādu citu.

⚠UZMANĪBU: Uzmanieties, lai neiespiestu pirkstus starp akumulatora kasetni un spailēm.

IEVĒRĪBAI: Pirms lietošanas uzlādējiet akumulatora kasetni. Akumulatora kasetni, kurā beigusies jauda, nevar izmantot.

IEVĒRĪBAI: Noņemot akumulatora kasetni, pārliecinieties, vai uzstādītais darbarīks ir pilnīgi apstājies un vai nenotiek saziņa ar lietotni. Pretējā gadījumā ir iespējami darbības traucējumi.

Lai uzstādītu akumulatora kasetni, salāgojiet akumulatora kasetnes mēlīti ar rienvu ietvarā un iebīdiēt to vietā. Ievietojiet to līdz galam, līdz tā ar klikšķi nofiksējas. Ja redzams attēlā parādītais sarkanais krāsas indikators, tas nozīmē, ka kasetne nav pilnīgi nofiksēta. Lai izņemtu akumulatora kasetni, izvelciet to no savienotāja, pabīdot kasetnes priekšpusē esošo pogu.

- **Att.6:** 1. Sarkanais krāsas indikators 2. Poga 3. Akumulatora kasetne

Darbarīka uzstādīšana vai noņemšana

⚠UZMANĪBU: Nelieciet pirkstu uz darbarīka slēdža. Pretējā gadījumā neparedzēta ieslēgšanās var izraisīt traumas.

IEVĒRĪBAI: Uzstādot un noņemot darbarīku, pārliecinieties, vai uzstādītais darbarīks ir pilnīgi apstājies. Pretējā gadījumā ir iespējami darbības traucējumi.

IEVĒRĪBAI: Noņemot darbarīku, pārliecinieties, vai nenotiek saziņa ar lietotni. Pretējā gadījumā ir iespējami darbības traucējumi.

PIEZĪME: Darbarīks neveic darbību, kad pievienots šis savienotājs.

Lai uzstādītu darbarīku, salāgojiet mēlīti uz šī savienotāja ar rienvu ietvarā un iebīdiēt to vietā. Ievietojiet to līdz galam, līdz tā ar klikšķi nofiksējas.

Lai noņemtu darbarīku, izvelciet to no savienotāja, pabīdot savienotāja priekšpusē esošo pogu.

► Att.7

PROBLĒMU NOVĒRŠANA

Pirms vienoties par ierīces remontu, izvērtējiet šādas iespējas.

Neatbilstošas darbības stāvoklis	Iespējama iemesls (kļūme)	Risinājums
Savienotājs nevar ieslēgties. Indikators statuss neiedegas.	Atlikušās akumulatora jaudas līmenis ir zems.	Uzlādējiet akumulatora kasetni.
	Akumulatora kasetne nav uzstādīta pareizi.	Uz brīdi izņemiet akumulatora kasetni. Vēlreiz uzstādiet akumulatora kasetni atbilstoši šajā rokasgrāmatā sniegtajiem norādījumiem.
Statusa indikators mirgo sarkanā krāsā.	Nepareizi uzstādīts darbarīks.	Uz brīdi noņemiet darbarīku. Ievietojiet darbarīku vēlreiz atbilstoši šajā rokasgrāmatā sniegtajiem norādījumiem.
	Akumulatora kasetne nav uzstādīta pareizi.	Uz brīdi izņemiet akumulatora kasetni. Vēlreiz uzstādiet akumulatora kasetni atbilstoši šajā rokasgrāmatā sniegtajiem norādījumiem.

Neatbilstošas darbības stāvoklis	Iespējamais iemesls (kļūme)	Risinājums
Savienotājs nevar izveidot savienojumu ar viedtālruni/planšetdatoru.	Signāls ir vājš.	Novietojiet viedtālruni/planšetdatoru tuvāk savienotājam.
	Ir atslēgts Bluetooth savienojums viedtālrunī/planšetdatorā.	Aktivizējiet Bluetooth savienojumu viedtālrunī/planšetdatorā.
USB savienojums ar datoru nedarbojas.	USB kabelis nav pareizi iesprausts.	Pārliedzinieties, vai USB kabelis ir stingri iesprausts USB pieslēgvietā.
	Kabelis ir bojāts.	Izmantojiet citu USB kabeli.
	USB kabelis neatbilst specifikācijai.	Izmantojiet šajā rokasgrāmatā norādītā veida USB kabeli. Skatiet sadaļu „TEHNISKIE DATI”.

Ja problēmu nevar atrisināt arī pēc iepriekš minēto pasākumu veikšanas, iespējams, savienotājs ir bojāts. Lūdzu, sazinieties ar Makita pilnvarotu servisa centru.

APKOPE

⚠ UZMANĪBU: Pirms darbarīka pārbaudes vai apkopes vienmēr pārliedzinieties, ka darbarīks ir izslēgts un akumulatora kasetne ir izņemta.

IEVĒRĪBAI: Nemazgājiet savienotāju ar ūdeni. Darbības traucējumu risks.

IEVĒRĪBAI: Laiku pa laikam notīriet savienotāja ārpusi ar nedaudz ziepjūdeni samitrinātu lupatiņu.

IEVĒRĪBAI: Nekad neizmantojiet gāzolinu, benzīnu, atšķaidītāju, spirtu vai līdzīgus šķidrumus. Tas var radīt izbalēšanu, deformāciju vai plaisas.

Lai saglabātu izstrādājuma DROŠU un UZTICAMU darbību, remontdarbus, apkopi un regulēšanu uzticiet veikt tikai Makita pilnvarotam vai rūpnīcas apkopes centram, un vienmēr izmantojiet tikai Makita rezerves daļas.

SPECIFIKACIJOS

Modelis:		ADP12
Tinkama akumulatoriaus kasetė		BL4020 / BL4025 / BL4040 / BL4050F / BL4080F
Matmenys (I x P x A) (be akumulatoriaus ir įrankio)		98 mm x 85 mm x 55 mm
Grynasis svoris (be akumulatoriaus ir įrankio)		0,17 kg
„Bluetooth“	„Bluetooth®“ versija	5,1 (mažai energijos vartojantis „Bluetooth“)
	Veikimo nuotolis	Maždaug 10 m
	Dažnių juosta	2 402 MHz–2 480 MHz
	Didžiausia radijo dažnio galia	0,11 dBm (EIRP)

- Atlikame tęstinius tyrimus ir nuolatos tobuliname savo gaminius, todėl čia pateikiamos specifikacijos gali būti keičiamos be įspėjimo.
- Skirtingose šalyse specifikacijos gali skirtis.
- Atsižvelgiant į gyvenamosios vietos regioną, kai kurios pirmiau nurodytos akumuliatorių kasetės gali būti nesiūlomos.

Tinkamas USB kabelis

Naudokite USB kabelį, kuris atitinka USB C tipo jungtį. Rekomenduojame naudoti ekranuotą USB kabelį su USB-IF aprobacija, kurio ilgis būtų apie 1,8 m.

Tinkamas laidinis maitinimo šaltinis

Laidinio maitinimo šaltinio tinkamumas priklauso nuo įrankio, su kuriuo naudojama. Žr. įrankio specifikaciją.

Pranešimas apie nederančius įrankius

Kai kurie įrankiai nedera su šia jungtimi. Žr. paveikslėlyje pateiktą internetinę instrukciją, kur nurodyti konkretūs modelių numeriai.

ADP12 internetinė instrukcija-programėlė

► Pav.1

Simboliai

Toliau yra nurodyti simboliai, kurie gali būti naudojami įrangai. Prieš naudodami įsitinkinkite, kad suprantate jų reikšmę.



Perskaitykite instrukcijų vadovą.



Skirtas naudoti tik patalpose.



Ni-MH
Li-ion

Taikoma tik ES šalims

Kadangi įrangoje yra pavojingų komponentų, panaudota elektrinė ir elektroninė įranga, akumulatoriai ir baterijos gali turėti neigiamo poveikio aplinkai ir žmonių sveikatai.

Nešalinkite elektros ir elektroninių prietaisų ar baterijų kartu su buitineis atliekomis! Pagal Europos direktyvą dėl elektros ir elektroninės įrangos atliekų bei akumuliatorių ir baterijų ir panaudotų akumuliatorių ir baterijų bei jos pritaikymą nacionaliniams įstatymams, panaudota elektros ir elektroninė įranga, baterijos ir akumulatoriai turi būti surenkami atskirai ir pristatomi į atskirą buitinių atliekų surinkimo punktą, kuris veikia pagal aplinkos apsaugos taisykles. Tai rodo perbrauktas konteinerio ant ratukų simbolis, pateiktas ant įrangos.

Atitikties deklaracijos

Tik Europos šalims

Atitikties deklaracijos įtrauktos į šios naudojimo instrukcijos A priedą.

SAUGOS ĮSPĖJIMAI

Prieš naudodami šią jungtį, perskaitykite visus nurodymus ir išsiaiškinkite visas ant šios jungties, akumulatoriaus kasetės bei gaminio, su kuriuo naudojama ši jungtis, pateiktas perspėjimo žymas. Laikykites visų saugos įspėjimų ir nurodymų. Nesilaikydami toliau pateiktų įspėjimų ir nurodymų, galite patirti elektros smūgį, sukelti gaisrą ir (arba) sunkiai susižaloti.

Darbo vietos sauga

1. Saugokite šią jungtį nuo lietaus, sniego ir drėgmės. Kitaip ji jungtį gali patekti vandens ir gali įvykti trumpasis jungimas arba galite gauti elektros šoką.
2. Jungties nenaudokite sprogiojoje aplinkoje, pvz., ten, kur yra liepsniųjų skysčių, dujų arba dulkių. Kyla sproginimo arba gaisro pavojus.

Elektros sauga

1. Naudokite USB kabelį, kuris atitinka USB C tipo jungtį. Nemonifikuokite USB kabelio. Kitaip gali sutrikti veikimas.
2. Nesujunkite kontaktų trumpuoju jungimu. Laikykite kontaktus atokiai nuo metalinių objektų, pvz., adatų ir laidų, kurie galėtų juos sujungti. Kontaktų trumpasis jungimas gali tapti nudegimų arba gaisro priežastimi.
3. Šią jungtį naudokite tik su jai tinkančiais akumuliatoriais. Nenaudokite modifikuotų akumuliatorių. Naudojant neturėtų kurti kitą akumuliatorių, kyla pavojus susižaloti ir sukelti gaisrą.

Techninė priežiūra

1. Šios jungties priežiūrą patikėkite kvalifikuotam remonto meistriui, naudojančiam tik identiškas atsargines dalis. Taip užtikrinsite šios jungties saugą.
Neardykite ar negadinkite šios jungties. Kitaip gali kilti gaisras, ji gali per daug įkaisti arba sprogti.
Jei pastebėjote bet kokių šios jungties veikimo anomalijų, patikrai ir remontui išsiųskite ją į „Makita“ įgaliotąjį arba gamyklinį priežiūros centrą.
Jei šį gaminį bandys remontuoti žinių bei įgūdžių neturintis asmuo, gaminys ne tik neveiks optimaliai, bet ir kils nelaimingo atsitikimo (susižalojimo) pavojus.

Papildomi saugos įspėjimai

1. Patikrinkite, ar nėra apgadintų dalių. Pastebėję bet kokių anomalijų arba veikimo sutrikimų, nedelsdami sustabdykite šios jungties naudojimą. Jei naudosite ją toliau, gali išsiskirti dūmų, kilti gaisras, galite gauti elektros šoką arba susižaloti.
<Anomalijų (gedimų) pavyzdžiai>
 - Kabelis arba jungtis nenormaliai karšti.
 - Yra gilių įbrėžimų arba deformacijų.
 - Liečiant USB kabelį, gali būti sužadinami laidininkai.
 - Užuodžiate degusių kvapą.
 - Jaučiate elektros srovę.**Kilus bet kokių problemų, nedelsdami atjunkite nuo jungties maitinimo šaltinį ir kreipkitės į „Makita“ įgaliotąjį arba gamyklinį priežiūros centrą, kad patikrintų ir suremontuotų.**
2. Pastebėję bet kokių anomalijų, pvz., jei naudojimo metu kaista akumuliatoriaus kasetę, nedelsdami atjunkite akumuliatoriaus kasetę ir nustokite ją naudoti. Jei naudosite toliau, gali išsiskirti dūmų, kilti gaisras arba sproginimas.

3. Nesandėliuokite ir nenaudokite šios jungties ten, kur temperatūra gali pasiekti ar viršyti 50 °C. Sandėliuokite sausoje, vaikams nepasiekiamoje vietoje. Kyla nelaimingo atsitikimo pavojus.
4. Nelieskite kontaktų šlapiomis rankomis. Kyla pavojus gauti elektros šoką.
5. Nenumeskite šios jungties. Gali sutrikti veikimas.

IŠSAUGOKITE ŠIUOS NURODYMUS – šioje instrukcijoje pateikiama svarbių šios jungties saugos ir naudojimo nurodymų.

Skolindami šią jungtį, visada pridėkite šią naudojimo instrukciją.

Radio ryšio bangų saugos įspėjimai

1. Nenaudokite šio gaminio netoli didelio tikslumo elektroninių įrenginių su silpnais signalais. (Elektroninių įrenginių, prie kurių reikia būti atidiems, pavyzdžiai: klausos aparatas, širdies stimulatorius, kiti medicinos prietaisai, priešgaisrinė signalizacija, automatinės durys ir kita automatiškai valdoma įranga).
2. Šio gaminio radijo ryšio bangų perdavimas negarantuojamas visose aplinkose. Toliau nurodytais atvejais radijo ryšio bangos gali nepasiekti arba gali būti pertrauktos.
 - Naudojant šį gaminį pastatuose, kur yra betoninių, metalinių konstrukcijų arba armatūros.
 - Naudojant šį gaminį prie kliūčių.
 - Kai šio gaminio veikimą trikdo tą patį dažnį naudojantys belaidžio ryšio įrenginiai.
 - Naudojant šį gaminį prie kai kurių įrenginių, kurie generuoja magnetinį lauką, statinę iškravą arba radijo ryšio trukdžius (pvz., mikrobangų krosnelių).

ATITINKAMI PREKIŲ ŽENKLAI ir REGISTRUOTIEJI PREKIŲ ŽENKLAI



- „Bluetooth“ žodinis ženklas ir logotipai yra registruotieji prekių ženklai, priklausantys „Bluetooth SIG, Inc.“, todėl tokius ženklus „Makita“ naudoja pagal licenciją. Kiti prekių ženklai ir prekiniai pavadinimai priklauso jų atitinkamiems savininkams.
- „Android“ ir „Google Play“ yra „Google LLC“ prekių ženklai.
- „iPhone“ yra JAV ir kitose valstybėse registruotas „Apple Inc.“ prekių ženklas.
- Prekių ženklas „iPhone“ naudojamas pagal licenciją, kurią suteikė „Aiphone Co., Ltd.“.
- „App Store“ yra „Apple Inc.“ paslaugų ženklas.
- Visi kiti šiame dokumente naudojami prekių ženklai priklauso jų atitinkamiems savininkams. Atminkite: dalyje pagrindinio teksto ženklai „™“ ir „®“ nėra naudojami.

DALIŲ APRAŠYMAS

► Pav.2

1. **Mygtukas**
2. **USB prievadas**
Skirtas ryšiui su asmeniniu kompiuteriu. Negalima naudoti USB įrenginiams įkrauti.
3. **Būsena**

Lemputė	Būsena
Nešviečia	Prie šios jungties nepri- jungtas maitinimo šaltinis (akumuliatori- aus kasetė/USB).
Šviečia žalia spalva	Prie šios jungties pri- jungtas maitinimo šaltinis.
Mirksi raudona spalva	Nuskaityti duomenys (įkėlimo klaida)

4. **Režimas**
Žr. internetinę instrukciją-programėlę, kur išsamiai aprašomas kiekvienas režimas.

Lemputė	Režimas
Nešviečia	Ryšio (comm) režimas
Šviečia raudona spalva	Atskiro veikimo režimas (akumuliatorius)
Šviečia žalia spalva	Atskiro veikimo režimas (įrankis)

5. USB jungtis

Lemputė	USB jungtis
Nešviečia	Prie šios jungties nepri- jungta asmeninio kompiuterio programa.
Šviečia žalia spalva	Prie šios jungties pri- jungta asmeninio kompiuterio programa.
Mirksi žalia spalva (greitai)	Palaikomas ryšys su asmeninio kompiu- terio programa

6. „Bluetooth“ ryšys

Lemputė	„Bluetooth“ ryšys
Nešviečia	Negeneruojamos radijo ryšio bangos.
Šviečia mėlyna spalva	Užmegztas ryšys.
Mirksi mėlyna spalva	Generuojamos radijo ryšio ban- gos. (Ryšys neužmegztas.)
Mirksi mėlyna spalva (greitai)	Palaikomas ryšys su išmaniojo telefono programėle

KĄ GALIMA NUVEIKTI SU ADP12

Išsamiai apie tai, kaip naudotis programėle, rašoma ADP12 internetinėje instrukcijoje-programėlėje. (Žr.1 pav.)

Funkcijos

- **Apsaugos nuo vagystės nuostata (PIN kodas)**
Galite nustatyti PIN kodą kiekvienam įrankiui ir akumuliatoriaus kasetei. Galima naudoti tik įrankio ir akumuliatoriaus kasetės, kurių PIN kodai sutampa, derinį.
- **Akumuliatoriaus laikmačio nuostata**
Akumuliatoriaus kasetėje galima nustatyti galiojimo terminą (laiką ir datą), atsižvelgiant į statybų grafiką, kad kasečių nebūtų galima naudoti pasibaigus darbui.
- **Priežiūros pagalba**
 - **Įrankių tikrinimas**
Gali būti rodoma įrankio būsena ir eksploataavimo retrospektyva.
 - **Akumuliatoriaus tikrinimas**
Gali būti rodoma akumuliatoriaus būsena ir eksploataavimo retrospektyva.
 - **Registravimas užrašinėje**
Galite užregistruoti tam tikrą ženklų skaičių įrankyje ir akumuliatoriaus kasetėje (ženklų skaičius priklauso nuo modelio). Jis naudojamas įrankiui valdyti ir techninės priežiūros retrospektyvai kaupti.

PASTABA: Atsižvelgiant į įrankį, kai kurios funkcijos gali būti nepasiekiamos.

PASTABA: Net jei įrankis visiškai naujas, įrankio tikrinimo funkcija gali rodyti tam tikrą eksploataavimo istoriją, nes gamykloje vykdomos patikros ir pan.

PRIEŠ PRADEDANT NAUDOTI

Programėlės diegimas

- Programėlė yra nemokama, tačiau atsisiunčiant gali būti imamas atskiras mokestis už ryšį.
- Programėlė skirta tik „Makita“ gaminiams.
- Programėlę pradėkite naudoti sutikę su naujausia programėlės naudojimo sąlygų versija. Pirmojo paleidimo metu arba diegiant programėlę bus parodomas naudojimo sąlygų ekranas.
- Diegiant naujinius ateityje, be išankstinio pranešimo programos ekranas gali būti keičiamas arba nepasiekiamas.

Išmaniesiems telefonams (planšetiniams kompiuteriams)

Pasiruošimas iš anksto

Norint naudotis programėle, reikia išmanojo telefono arba planšetinio kompiuterio (su „iOS“ arba „Android“).

- „iOS“ („iPhone“): reikia „iOS 13“ arba naujesnės versijos.
- „Android“: reikia „Android 9,0“ arba naujesnės versijos.
„Android“ įrenginiuose reikia leisti „Bluetooth“ ryšiui pasiekti buvimo vietos informaciją (yra išimčių).

Programėlės diegimas

1. „App Store“ arba „Google Play“ suraskite „Makita Tool Management“.
Taip pat galite nuskaityti QR kodą tolesniame paveikslėlyje.

Išmanojo telefono programėlės atsisiuntimo svetainė

► Pav.3

2. Įdiekite programėlę. Pradžios ekrane bus sukurta „Makita Tool Management“ piktograma.

Asmeniniams kompiuteriams

Reikalavimai sistemai

Kad būtų galima naudotis programėle, asmeninis kompiuteris turi tenkinti tolesnius reikalavimus.

- Operacinė sistema: „Windows 10“ arba „Windows 11“

Programėlės diegimas

1. Atverkite tolesniame paveikslėlyje pateiktą URL.

Asmeninio kompiuterio programos atsisiuntimo svetainė

► Pav.4

2. Atsisiųskite „MakitaToolManagementSetup_EN_v1020.exe“ ir įdiekite programą.

Asmeninio kompiuterio prijungimas

Prieš paleisdami programą, prijunkite šią jungtį prie asmeninio kompiuterio.

► Pav.5

PASTABA: Neatjunkite USB kabelio, kol mirksi šios jungties USB ryšio lemputė.

Akumuliatoriaus kasetės (įrankio) prijungimas

Pasirenkamas priedas

Prieš paleisdami programėlę, prie šios jungties prijunkite akumuliatoriaus kasetę ir įrankį.

Akumuliatoriaus kasetės prijungimas (atjungimas)

▲PERSPĖJIMAS: Akumuliatoriaus kasetę visada prijunkite iki galo, kol nebematysite raudono sandariklio (indikatoriaus). Priešingu atveju ji gali netikėtai iškristi iš šios jungties ir sužaloti jus arba aplinkinius.

▲PERSPĖJIMAS: Būkite atsargūs ir neprišpauskite piršto tarp akumuliatoriaus kasetės ir kontaktų.

PASTABA: Prieš pradėdami naudoti, įkraukite akumuliatoriaus kasetę. Negalima naudoti akumuliatoriaus kasetės, kurioje nebeliko energijos.

PASTABA: Prieš atjungdami akumuliatoriaus kasetę, įsitikinkite, kad prijungtas įrankis visiškai sustabdytas ir su programėle nevykdomi duomenų mainai. Kitaip gali sutrikti veikimas.

Norėdami prijungti akumuliatoriaus kasetę, ant akumuliatoriaus kasetės esantį liežuvėlį sulgyjuokite su korpuse esančiu grioveliu ir įstumkite jį į skirtą vietą. Įstumkite iki pat galo, kad spragtelėdama užsifikuotų. Jeigu matote raudoną sandariklį (indikatorių), kaip parodyta paveikslėlyje, ji nėra visiškai užrakinta. Norėdami išimti akumuliatoriaus kasetę, ištraukite ją iš jungties, slinkdami mygtuką, esantį kasetės priekyje.

- Pav.6: 1. Raudonas sandariklis (indikatorius)
2. Mygtukas 3. Akumuliatoriaus kasetė

Įrankio prijungimas (atjungimas)

▲PERSPĖJIMAS: Nelaikykite piršto ant įrankio jungtiklio. Priešingu atveju jis gali būti netikėtai paleistas ir ką nors sužaloti.

PASTABA: Prieš prijungdami arba atjungdami įrankį užtikrinkite, kad jis būtų visiškai sustabdytas. Kitaip gali sutrikti veikimas.

PASTABA: Prieš atjungdami įrankį, įsitikinkite, kad nevyksta duomenų mainai su programėle. Kitaip gali sutrikti veikimas.

PASTABA: Prijungus šią jungtį, įrankis neveiks.

Norėdami prijungti įrankį, sulgyjuokite ant šios jungties esantį liežuvėlį su korpuse esančiu grioveliu ir įstumkite jį į vietą. Įstumkite iki pat galo, kad spragtelėdama užsifikuotų.

Norėdami atjungti įrankį, nustumkite jį nuo jungties, slinkdami mygtuką, esantį jungties priekyje.

- Pav.7

GEDIMŲ ŠALINIMAS

Prieš kreipdamiesi dėl remonto, patikrinkite šiuos punktus.

Neįprasta būklė	Tikėtina priežastis (triktis)	Ištaisomoji priemonė
Jungtis neįsijungia. Nešviečia būsenos lemputė.	Likusi akumulatoriaus galia yra maža.	Įkraukite akumulatoriaus kasetę.
	Netinkamai prijungta akumulatoriaus kasetė.	Nuimkite akumulatoriaus kasetę (vieną kartą). Prijunkite akumuliatorių, kaip aprašyta šioje instrukcijoje.
Būsenos lemputė mirksi raudona spalva.	Netinkamai prijungtas įrankis.	Atjunkite įrankį (vieną kartą). Prijunkite įrankį, kaip aprašyta šioje instrukcijoje.
	Netinkamai prijungta akumulatoriaus kasetė.	Nuimkite akumulatoriaus kasetę (vieną kartą). Prijunkite akumuliatorių, kaip aprašyta šioje instrukcijoje.
Jungčiai nepavyksta užmegzti ryšio su išmaniuoju telefonu (planšetiniu kompiuteriu).	Silpnas signalas.	Padėkite išmanųjį telefoną (planšetinį kompiuterį) arčiau jungties.
	Išjungtas išmaniojo telefono (planšetinio kompiuterio) „Bluetooth“ ryšys.	Aktyvuokite išmaniojo telefono (planšetinio kompiuterio) „Bluetooth“ ryšį.
Neveikia USB ryšys su asmeniniu kompiuteriu.	Netinkamai prijungtas USB kabelis.	Užtikrinkite, kad USB kabelis būtų tinkamai prijungtas prie USB prievado.
	Kabelis nutrūkęs.	Išbandykite kitą USB kabelį.
	USB kabelis neatitinka specifikacijos.	Naudokite USB kabelį, aprašytą šioje instrukcijoje. Žr. skirsnį apie technines sąlygas.

Jei problemos nepavyksta išspręsti net ir ėmusiis pirmiau nurodytų priemonių, galbūt jungtis turi defektų. Kreipkitės į „Makita“ įgaliotąjį priežiūros centrą.

TECHNINĖ PRIEŽIŪRA

⚠ PERSPĖJIMAS: Visuomet įsitikinkite, ar įrankis yra išjungtas ir akumulatoriaus kasetė yra nuimta prieš atlikdami apžiūrą ir priežiūrą.

PASTABA: Neplaukite jungties vandeniu. Gali sutrikti veikimas.

PASTABA: Retkarčiais nuvalykite jungties paviršių muiluotu vandeniu sudrėkinta šluoste.

PASTABA: Niekada nenaudokite gazolino, benzino, tirpiklio, spirito arba panašių medžiagų. Gali atsirasti išblukimų, deformacijų arba įtrūkimų.

Kad gaminy s būtų SAUGUS ir PATIKIMAS, jį taisyti, apžiūrėti ar vykdyti bet kokią kitą priežiūrą ar derinimą turi įgaliotasis kompanijos „Makita“ techninės priežiūros centras; reikia naudoti tik kompanijos „Makita“ pagamintas atsargines dalis.

TEHNILISED ANDMED

Mudel:		ADP12
Sobiv akukassett		BL4020 / BL4025 / BL4040 / BL4050F / BL4080F
Mõõtmed (P × L × K) (Ilma aku ja tööriistata)		98 mm × 85 mm × 55 mm
Netokaal (Ilma aku ja tööriistata)		0,17 kg
Bluetooth	Bluetooth®-i versioon	5,1 (Bluetooth low energy)
	Leviala	Umbes 10 m
	Sagedusriba	2 402 MHz - 2 480 MHz
	Maksimaalne raadiosageduse võimsus	0,11 dBm (EIRP)

- Meie pideva uuringu- ja arendusprogrammi tõttu võidakse tehnilisi andmeid muuta ilma sellest ette teatamata.
- Tehnilised andmed võivad riigiti erineda.
- Mõned eespool loetletud akukassetid ei pruugi olla teie asukohariigis saadaval.

Sobiv USB-kaabel

Kasutage USB-C-liitmikuga sobivat USB-kaablit. Soovitame kasutada USB-kaablit, millel on varjestus, USB-IF-heakskiit ja kuni umbes 1,8 m pikkus.

Sobiv juhtmega ühendatav toiteallikas

See, kas juhtmega ühendatav toiteallikas on sobiv või mitte, sõltub sellest, millise tööriistaga seda kasutatakse. Vt tööriistal olevaid andmeid.

Mitteühilduvatest tööriistadest teavitamine

Mõned tööriistad ei ühildu selle mooduliga. Konkreetseid mudelinumbreid vaadake joonisel näidatud veebijuhendist.

ADP12 rakenduse veebijuhend

► Joon.1

Sümbolid

Alljärgnevalt kirjeldatakse tingimärke, mida võidakse seadmetel kasutada. Enne seadme kasutamist tehke endale selgeks nende tähendus.



Lugege juhendit.



Ainult siseruumides kasutamiseks.



Ni-MH
Li-ion

Ainult EL-i riikide puhul
Seadmes sisalduvate ohtlike osade tõttu võivad elektri- ja elektroonikaseadmete jäätmed, akud ja patareid avaldada negatiivset mõju keskkonnale ja inimeste tervisele. Elektri- ja elektroonikaseadmeid ega akusid ei tohi kõrvaldada koos olmejäätmetega!

Euroopa elektri- ja elektroonikaseadmete jäätmete, akude ja patareide ning nende jäätmete direktiivi ja riikliku õigusesse ülevõtmise kohaselt tuleb elektri- ja elektroonikaseadmete, akude ja patareide jäätmed koguda eraldi ning viia eraldiseisvasse olmejäätmete kogumispunkti, mis tegutseb kooskõlas keskkonnakaitse eeskirjadega. Sellele osutab seadmele paigaldatud läbikiipsutatud ratastega prügikasti sümbol.

Vastavusdeklaratsioon

Ainult Euroopa riikide puhul

Vastavusdeklaratsioonid on selle juhendi A-lisas.

OHUTUSHOIATUSED

Enne mooduli kasutamist lugege läbi kõik selle moodulil, akukassetil ja moodulil kasutataval tootel olevad juhised ja ettevaatusmärgistused.

Lugege kõik ohutushoiatused ja juhised läbi.

Hoiatuste ja juhiste eiramine võib põhjustada elektrilöögi, tulekahju ja/või raskeid vigastusi.

Tööpiirkonna ohutus

1. **Ärge jätke moodulit vihma, lume ega märgade tingimuste kätte.** Vastasel juhul võib vesi moodulis sattuda ning elektrilöögi või lühise põhjustada.
2. **Ärge kasutage moodulit plahvatusohtlikus keskkonnas, nagu tuleohtlike vedelike, gaaside või tolmü läheduses.** Plahvatus- ja tuleoht.

Elektriohutus

1. **Kasutage USB-C-liitmikuga sobivat USB-kaablit. Ärge modifitseerige USB-kaablit.** Muidu võib tekkida rike.
2. **Ärge lühistage liitmikku. Hoidke liitmikku teistest metallesemetest, näiteks nõeltest ja traatidest eemal, sest need võivad luua klemmide vahel ühenduse.** Klemmide lühistamine võib põhjustada põletusi või süttimist.
3. **Kasutage moodulit üksnes spetsiaalselt selle jaoks toodetud akukassettidega. Ärge kasutage muudetud akut.** Muude akukassettide kasutamise- ja/või kaasna kasutamise oht.

Hooldus

1. **Laske moodulit hooldada kvalifitseeritud remonditehnikul, kes kasutab vaid identseid varuosid.** See tagab mooduli ohutuse. **Ärge võtke lahti ega muutke moodulit.** See võib põhjustada tulekahju, liigset kuumust või plahvatuse. **Kui märkate moodulis midagi ebatavalist, saatke see kontrolliks ja remondiks Makita volitatud teeninduskeskusesse või tehase teeninduskeskusesse.** Kui remondialaste teadmiste ja oskustega isik parandab seda toodet, ei halvene mitte ainult selle tööomadused, vaid tekib ka õnnetuste ja vigastuste oht.

Lisaohutushoiatused

1. **Kontrollige, ega pole kahjustunud osi. Kõrvalekalde või tõrke tekkimise korral lõpetage kohe mooduli kasutamine.** Kui kasutate seda edasi, võib tekkida suits/tuli ja te võite saada elektrilöögi või vigastuse.
<Kõrvalekallete/rikete näited>
 - Kaabel või liitmik on ebatavaliselt kuum.
 - Esineb sügavaid kriimustusi või deformatsiooni.
 - USB-kaabli puudutamisel võivad juhtmed olla pinges all või mitte olla pinges all.
 - Tunda on kõrbelõhna.
 - Saate särtsu.**Kui teil esineb probleeme, lahutage moodul kohe toiteallikast ning pöörduge kontrollimiseks ja remondiks kohe Makita volitatud teeninduskeskusesse või tehase teeninduskeskusesse.**
2. **Kui märkate kõrvalekaldeid, näiteks akukasseti kuumenemist kasutamise ajal, eemaldage akukassett kohe ja ärge seda enam kasutage.** Edasi kasutamine võib põhjustada suitsu, tuld või plahvatust.
3. **Ärge hoidke ega kasutage moodulit kohtades, kus temperatuur võib tõusta üle 50 °C.** Hoidke moodulit kuivas ja lastele kättesaamatus kohas. Õnnetuse oht.
4. **Ärge puudutage liitmikke märgade kätega.** Elektrilöögi oht.
5. **Ärge laske sellel moodulil maha kukkuda.** Tõrgete oht.

HOIDKE NEED JUHISED ALLES – See kasutusjuhend sisaldab mooduliga seotud olulisi ohutus- ja kasutusjuhiseid.
Mooduli laenamisel andke sellega alati kaasa ka kasutusjuhend.

Ohutushoiatused raadiolainete kohta

1. **Ärge kasutage seda toodet täppisjuhtimise ja nõrkade signaalidega elektroonikaseadmete läheduses.** (Ettevaatust nõudvad elektroonikaseadmed on näiteks: kuuldeaparaadid, südamestimulaatorid, muud meditsiiniseadmed, tulekahjualarm, automaatne uks ja muud automaatjuhtimisega seadmed).
2. Selle toote raadiolaine ei ole kõigis keskkondades tagatud. Järgmistel juhtudel ei pruugi raadiolaine kohale jõuda või võidakse katkestada.
 - Toote kasutamisel betoonhoonetes, kus kasutatakse tugevdusvardaid või metalli.
 - Toote kasutamisel takistuste läheduses.
 - Kui toodet häirivad sama sagedusega juhtmevaba side seadmed.
 - Toote kasutamisel selliste seadmete, nagu mikrolaineahju läheduses, mis tekitavad magnetvälja, staatilist elektrit või raadiohäiringuid.

ASJAOMASED KAUBAMÄRGID ja REGISTREERITUD KAUBAMÄRGID



- Bluetooth®-i sõnamärk ja logod on registreeritud kaubamärgid, mille omanik on Bluetooth SIG, Inc., ning Makita kasutab selliseid märke litsentsi alusel. Muud kaubamärgid ja kaubanimed kuuluvad nende omanikele.
- Android ja Google Play on ettevõtte Google LLC kaubamärgid või registreeritud kaubamärgid.
- iPhone on ettevõtte Apple Inc. kaubamärk, mis on registreeritud USA-s ja teistes riikides.
- iPhone'i kaubamärki kasutatakse ettevõtte Aiphone Co., Ltd. litsentsi alusel.
- App Store on ettevõtte Apple Inc. teenindusmärk.
- Kõik teised selles dokumendis nimetatud kaubamärgid on nende vastavate omanike omand. Pange tähele, et sümbolid ™ ja © on põhittekstis mõnikord välja jäetud.

OSADE KIRJELDUS

► Joon.2

1. **Nupp**
2. **USB-pesa**
Kommunikatsiooniks arvutiga. Ei saa kasutada USB-seadmete laadimiseks.
3. **Olek**

Tuli	Olek
Väljas	Toiteallikas (akukasett/USB) ei ole selle mooduliga ühendatud.
Roheline tuli	Toiteallikas on selle mooduliga ühendatud.
Vilkuv punane tuli	Andmete lugemise/laadimise viga

4. **Režiim**
Vt iga režiimi üksikasju rakenduse veebjuhendist.

Tuli	Režiim
Väljas	Kommunikatsioonirežiim (Comm)
Punane tuli	Iseseisev režiim (aku)
Roheline tuli	Iseseisev režiim (tööriist)

5. USB-ühendus

Tuli	USB-ühendus
Väljas	Arvutiprogramm ei ole selle mooduliga ühendatud.
Roheline tuli	Arvutiprogramm on selle mooduliga ühendatud.
Vilkuv roheline tuli (kiiresti)	Kommunikatsioon arvutiprogrammiga

6. Bluetoothi ühendus

Tuli	Bluetoothi ühendus
Väljas	Raadiolainet ei genereerita.
Sinine tuli	Ühendus on loodud.
Vilkuv sinine tuli	Raadiolainet genereeritakse. (Ühendust ei ole loodud.)
Vilkuv sinine tuli (kiire)	Kommunikatsioon nutitelefoni rakendusega

MIDA ADP12-ga TEHA SAAB

Rakenduse kasutamise kohta vt rakenduse veebjuhendit ADP12 kohta. (vt joon.1.)

Omadused

- **Vargusvastane seadistus (PIN-kood)**
Saate seada PIN-koodi igale tööriistale ja akukasatile. Koos saab kasutada ainult kattuvate PIN-koodidega tööriista ja akukasetti.
- **Akutaimer seadistamine**
Akukasatile saab vastavalt ehituskavale seada aegumise kellaaja/kuupäeva, nii et kassetti ei saa pärast ehituse lõppu kasutada.
- **Hooldusabi**
 - **Tööriistakontroll**
Kuvada saab tööriista olekut ja kasutusajalugu.
 - **Akukontroll**
Kuvada saab aku olekut ja kasutusajalugu.
 - **Andmete registreerimine**
Saate registreerida tööriistal ja akukasatil olevad tähemärgid (registreeritavate tähemärkide arv sõltub mudelist). Seda kasutatakse tööriista halduses ja hoolduse ajaloos.

MÄRKUS: Mõned funktsioonid ei ole sõltuvalt tööriistast saadaval.

MÄRKUS: Tööriistakontrollis võidakse tehasesiseste kontrollimiste jne tõttu kuvada kasutusajaloo numbrit isegi uuel tööriistal.

ENNE KASUTAMIST

Rakenduse paigaldamine

- Rakendus on tasuta, kuid allalaadimise eest võidakse võtta eraldi kommunikatsioonitasu.
- Rakendus on mõeldud ainult Makita toodetele.
- Kasutage rakendust pärast rakenduse kasutustingimuste uusima versiooniga nõustumist. Rakenduse esimesel käivitamisel või paigaldamisel kuvatakse kasutustingimused ekraanil.
- Rakenduse kuva võidakse tulevaste värskenduste tõttu ilma ette teatamata muuta või kättesaamatuks teha.

Nutitelefonidele/tahvelarvutitele

Eelnev ettevalmistus

Rakenduse kasutamiseks on vajalik nutitelefoni/tahvelarvuti (iOS või Android).

- iOS (iPhone): vajalik on iOS 13 või uuem versioon.
- Android: vajalik on Android 9,0 või uuem versioon. Välja arvatud mõned erandid, peavad Androidi seadmed lubama Bluetoothi ühenduse jaoks asukohainfot.

Rakenduse paigaldamine

1. Sisestage App Store'i või Google Play'sse otsingusõna „Makita Tool Management“.
Samuti võite kasutada järgmisel joonisel olevat QR-koodi.

Nutitelefoni rakenduse allalaadimissait

► Joon.3

2. Paigaldage rakendus. Avakuvale ilmub Makita Tool Managementi ikoon.

Arvutitele

Süsteeminõuded

Arvuti peab rakenduse kasutamiseks vastama järgmistele nõuetele.

- OS: Windows 10 või Windows 11

Rakenduse paigaldamine

1. Minge järgmisel joonisel kujutatud URL-aadressile.

Arvuti rakenduse allalaadimissait

► Joon.4

2. Laadige alla fail „MakitaToolManagementSetup_EN_v1020.exe“ ja paigaldage rakendus.

Arvuti ühendamine

Enne rakenduse käivitamist ühendage see moodul arvutiga.

► Joon.5

TÄHELEPANU: Ärge lahutage USB-kaablit, kui selle mooduli USB-ühenduse tuli vilgub.

Akukasseti/tööriista paigaldamine

Valikuline tarvik

Enne rakenduse käivitamist paigaldage sellele moodulile akukassett ja tööriist.

Akukasseti paigaldamine või eemaldamine

⚠ETTEVAATUST: Paigaldage akukassett alati täies ulatuses nii, et punane näidik poleks nähtaval. Muidu võib see moodulist kogemata välja kukkuda ning teid ennast või teie läheduses olijaid vigastada.

⚠ETTEVAATUST: Jälgige, et teie sõrmed ei jääks akukasseti ja klemmide vahele.

TÄHELEPANU: Laadige akukassetti enne kasutamist. Tühja akukassetti ei tohi kasutada.

TÄHELEPANU: Akukasseti eemaldamisel veenduge, et paigaldatud tööriist oleks täielikult seiskunud ja et rakendusega ei toimuks kommunikatsiooni. Muidu võib tekkida rike.

Akukasseti paigaldamiseks joondage akukasseti keel korpuse soonega ja libistage kassett kohale. Sisestage see tervenisti, kuni see lukustub väikese klõpsuga oma kohale. Kui näete joonisel näidatud punast näidikut, pole see täielikult lukustunud.

Akukasseti eemaldamiseks libistage see moodulist välja, libistades kasseti esiküljel paiknevat nuppu.

► Joon.6: 1. Punane näidik 2. Nupp 3. Akukassett

Tööriista paigaldamine või eemaldamine

⚠ETTEVAATUST: Ärge pange sõrme tööriista lülile. See võib põhjustada soovimatut käivitumist, mille tagajärjeks võivad olla vigastused.

TÄHELEPANU: Tööriista paigaldamisel ja eemaldamisel veenduge, et paigaldatud tööriist oleks täielikult seiskunud. Muidu võib tekkida rike.

TÄHELEPANU: Tööriista eemaldamiseks veenduge, et rakendusega ei toimu kommunikatsiooni. Muidu võib tekkida rike.

MÄRKUS: Tööriist ei tööta, kui see moodul on kinnitatud.

Tööriista paigaldamiseks joondage mooduli keel korpuse soonega ja libistage tööriist oma kohale. Sisestage see tervenisti, kuni see lukustub väikese klõpsuga oma kohale. Tööriista eemaldamiseks libistage see moodulist välja, libistades mooduli esiküljel paiknevat nuppu.

► Joon.7

VEAOTSING

Enne seadme remonti viimist kontrollige järgmisi punkte.

Tõrge	Võimalik põhjus (rike)	Lahendus
Moodul ei saa sisse lülituda. Olekutuli ei põle.	Aku jääkmahtuvus on madal. Akukassett ei ole õigesti paigaldatud.	Laadige akukassett. Eemaldage akukassett korra. Paigaldage akukassett juhendis kirjeldatud viisil tagasi.
Olekutuli vilgub punaselt.	Tööriist ei ole õigesti paigaldatud. Akukassett ei ole õigesti paigaldatud.	Eemaldage tööriist korra. Paigaldage tööriist juhendis kirjeldatud viisil tagasi. Eemaldage akukassett korra. Paigaldage akukassett juhendis kirjeldatud viisil tagasi.
Moodul ei saa luua nutitelefoni/tahvelarvutiga ühendust.	Signaal on nõrk. Nutitelefoni/tahvelarvuti Bluetoothi ühendus on keelatud.	Pange nutitelefoni/tahvelarvuti moodulile lähemale. Aktiveerige nutitelefoni/tahvelarvuti Bluetoothi ühendus.
USB-ühendus arvutiga ei tööta.	USB-kaabel ei ole õigesti ühendatud. Kaabel on katki. USB-kaabel ei vasta tehnilisele kirjeldusele.	Veenduge, et USB-kaabel oleks USB-porti kindlalt ühendatud. Kasutage teist USB-kaablit. Kasutage selles juhendis olevale kirjeldusele vastavat USB-kaablit. Vt tehniliste andmete jaotist.

Kui probleemi ei saa kõrvaldada ka pärast eespool kirjeldatud meetmeid, võib moodul olla vigane. Pöörduge Makita volitatud teeninduskeskuse poole.

HOOLDUS

⚠ETTEVAATUST: Enne kontroll- või hooldustoimingute tegemist kandke alati hoolt selle eest, et tööriist oleks välja lülitatud ja akukassett korpuse küljest eemaldatud.

TÄHELEPANU: Ärge peske moodulit veega.
Tõrgete oht.

TÄHELEPANU: Pühkige aegajalt mooduli välispinda lapiga, mida on niisutatud seebivees.

TÄHELEPANU: Ärge kunagi kasutage bensiini, vedeldit, alkoholi ega midagi muud sarnast. Selle tulemuseks võib olla luitumine, deformatsioon või pragunemine.

Toote OHUTUSE ja TÖÖKINDLUSE tagamiseks tuleb vajalikud remonttööd ning muud hooldus- ja reguleerimistööd lasta teha Makita volitatud teeninduskeskustes või tehase teeninduskeskustes. Alati tuleb kasutada Makita varuosi.

DANE TECHNICZNE

Model:		ADP12
Kompatybilne akumulatory		BL4020 / BL4025 / BL4040 / BL4050F / BL4080F
Wymiary (dług. x szer. x wys.) (bez akumulatora i narzędzia)		98 mm x 85 mm x 55 mm
Masa netto (bez akumulatora i narzędzia)		0,17 kg
Bluetooth	Wersja Bluetooth®	5,1 (Bluetooth low energy)
	Zasięg nadajnika	Okolo 10 m
	Pasma częstotliwości	2 402–2 480 MHz
	Maksymalna moc częstotliwości radiowej	0,11 dBm (EIRP)

- W związku ze stale prowadzonym przez naszą firmę programem badawczo-rozwojowym niniejsze dane mogą ulec zmianom bez wcześniejszego powiadomienia.
- Dane techniczne mogą różnić się w zależności od kraju.
- Pewne z wymienionych powyżej akumulatorów mogą być niedostępne w regionie zamieszkania użytkownika.

Odpowiedni kabel USB

Należy użyć kabla USB odpowiadającego złącza USB typu C.

Zalecany jest ekranowany kabel USB o długości do około 1,8 m zatwierdzony przez organizację USB-IF.

Kompatybilne źródło zasilania podłączane za pomocą przewodu

Kompatybilność źródła zasilania podłączanego za pomocą przewodu zależy od używanego narzędzia. Należy zapoznać się z danymi technicznymi narzędzia.

Powiadomienie o niekompatybilnych narzędziach

Niektóre narzędzia nie są kompatybilne z tym modulem. W celu uzyskania informacji na temat określonych numerów modeli należy zapoznać się z internetową wersją instrukcji dostępną pod poniższym kodem.

Instrukcja urządzenia ADP12 w formie aplikacji internetowej

► Rys.1

Symbol

Poniżej pokazano symbole, jakie mogą być zastosowane na urządzeniu. Przed rozpoczęciem użytkowania należy zapoznać się z ich znaczeniem.



Przeczytać instrukcję obsługi.



Do użytku wyłącznie w pomieszczeniach.



Ni-MH
Li-ion

Dotyczy tylko państw UE

Z uwagi na obecność w sprzęcie niebezpiecznych składników, zużyty sprzęt elektryczny, elektroniczny, akumulatory oraz baterie mogą powodować negatywny wpływ na środowisko i zdrowie ludzi.

Nie wyrzucaj urządzeń elektrycznych, elektronicznych lub akumulatorów wraz z odpadami z gospodarstwa domowego! Zgodnie z Europejską Dyrektywą w sprawie zużytego sprzętu elektrycznego i elektronicznego oraz dotyczącą akumulatorów i baterii oraz zużytych akumulatorów i baterii, a także dostosowaniem ich do prawa krajowego, zużyte urządzenia elektryczne, elektroniczne, baterie i akumulatory, należy składować osobno i przekazywać do punktu selektywnej zbiórki odpadów komunalnych, działającego zgodnie z przepisami dotyczącymi ochrony środowiska. Informuje o tym symbol przekreślonego kołowego kontenera na odpady umieszczony na sprzęcie.

Deklaracje zgodności

Dotyczy tylko krajów europejskich

Deklaracje zgodności są dołączone jako załącznik A do niniejszej instrukcji obsługi.

OSTRZEŻENIA DOTYCZĄCE BEZPIECZEŃSTWA

Przed użyciem tego modułu należy zapoznać się ze wszystkimi instrukcjami i znakami ostrzegawczymi umieszczonymi na module, akumulatorze oraz produkcie, z którym będzie używany ten moduł. Należy stosować się do wszystkich ostrzeżeń i instrukcji w zakresie bezpieczeństwa. Niezastosowanie się do ostrzeżeń i instrukcji może doprowadzić do porażenia prądem elektrycznym, pożaru i/lub poważnych obrażeń ciała.

Bezpieczeństwo w miejscu pracy

1. **Chronić ten moduł przed deszczem, śniegiem i wilgocią.** W przeciwnym razie woda może przedostać się do modułu i spowodować porażenie prądem elektrycznym lub zwarcie.
2. **Nie wolno użytkować tego modułu w atmosferach wybuchowych, na przykład w obecności łatwopalnych cieczy, gazów lub pyłów.** Ryzyko wybuchu lub pożaru.

Bezpieczeństwo elektryczne

1. **Należy użyć kabla USB odpowiadającego złączu USB typu C. Nie wolno modyfikować kabla USB.** W przeciwnym razie działanie może być nieprawidłowe.
 2. **Nie doprowadzać do zwarcia złącza. Złącze należy trzymać z dala od metalowych przedmiotów, takich jak igły lub przewody, które mogłyby doprowadzić do połączenia złączy.** Zwarcie styków złączy grozi porażeniami lub pożarem.
 3. **Do zasilania tego modułu należy używać tylko specjalnie do tego celu przeznaczonych akumulatorów. Nie używać zmodyfikowanego akumulatora.** Używanie innych akumulatorów może stwarzać ryzyko wystąpienia obrażeń ciała lub pożaru.
2. **W przypadku zauważenia jakichkolwiek nieprawidłowości, np. nagrzewania się akumulatora podczas pracy, należy niezwłocznie wyjąć akumulator i zaprzestać jego używania.** Kontynuowanie pracy może skutkować pojawieniem się dymu, pożarem lub wybuchem.
 3. **Tego modułu nie wolno przechowywać ani używać w miejscach, w których temperatura osiąga bądź przekracza 50°C (122°F).** Przechowywać w suchym i niedostępnym dla dzieci miejscu. Istnieje ryzyko wypadku.
 4. **Nie dotykać złączy mokrymi dłońmi.** Ryzyko porażenia prądem elektrycznym.
 5. **Nie upuszczać tego modułu.** Ryzyko awarii.

ZACHOWAĆ NINIEJSZĄ INSTRUKCJĘ — Niniejszy podręcznik zawiera ważne instrukcje dotyczące bezpieczeństwa oraz obsługi tego modułu. W przypadku pożyczania tego modułu należy zawsze dołączyć do niego niniejszą instrukcję obsługi.

Serwis

1. **Ten moduł powinien być serwisowany przez wykwalifikowany personel z użyciem wyłącznie oryginalnych części zamiennych.** Zapewni to zachowanie bezpieczeństwa pracy z tym modulem. **Nie rozmontowywać ani modyfikować tego modułu.** Może to spowodować pożar, przegrzanie lub wybuch. **W przypadku zauważenia nieprawidłowości związanych z tym modulem należy przesłać go do autoryzowanego lub fabrycznego punktu serwisowego firmy Makita w celu dokonania przeglądu i naprawy.** Naprawa tego produktu przez osobę bez odpowiedniej wiedzy i umiejętności może skutkować nieprawidłowym działaniem, a także wypadkiem lub obrażeniami ciała.

Dodatkowe ostrzeżenia dotyczące bezpieczeństwa

1. **Należy sprawdzać, czy części nie są uszkodzone. W przypadku wykrycia nieprawidłowości lub awarii niezwłocznie zaprzestać używania tego modułu.** Kontynuowanie pracy może skutkować pojawieniem się dymu/wybuchem pożaru, porażeniem prądem elektrycznym i obrażeniami ciała.
<Przykłady nieprawidłowości/awarii>
 - Temperatura kabla lub złącza jest zbyt wysoka.
 - Występują głębokie zarysowania lub odkształcenia.
 - W przypadku dotknięcia kabla USB przewody mogą znajdować się pod napięciem lub nie.
 - Czuć zapach spalenizny.
 - Odczuwalny jest przepływ prądu.

Ostrzeżenia dotyczące bezpieczeństwa w zakresie fal radiowych

1. **Nie należy używać tego produktu w pobliżu urządzeń elektronicznych sterowanych precyzyjnie i generujących słabe sygnały. (Przykłady urządzeń elektronicznych, które wymagają szczególnej uwagi: aparat słuchowy, rozrusznik serca, inny sprzęt medyczny, alarm przeciwpożarowy, drzwi automatyczne i inne sprzęty sterowane automatycznie).**
2. Nie można zagwarantować we wszystkich środowiskach prawidłowości generowania fal radiowych przez ten produkt. W poniższych przypadkach fale radiowe mogą być zbyt słabe lub zostać zakłócone.
 - Podczas korzystania z tego produktu w budynkach, w których używany jest beton, pręty zbrojeniowe lub metal.
 - Podczas korzystania z tego produktu w pobliżu przeszkód.
 - W przypadku zakłócenia działania tego produktu przez urządzenia służące do komunikacji bezprzewodowej wykorzystującej tę samą częstotliwość.
 - Podczas korzystania z tego produktu w pobliżu urządzeń takich jak kuchenki mikrofalowe, które generują pole magnetyczne, elektryczność statyczną lub zakłócenia o częstotliwości radiowej.

ODPOWIEDNIE ZNAKI TOWAROWE oraz ZAREJESTROWANE ZNAKI TOWAROWE



- Znak słowny i logo Bluetooth® to zarejestrowane znaki towarowe będące własnością firmy Bluetooth SIG, Inc., których firma Makita używa na warunkach licencji. Pozostałe znaki i nazwy towarowe należą do ich odpowiednich właścicieli.
 - Android i Google Play są znakami towarowymi lub zarejestrowanymi znakami towarowymi firmy Google LLC.
 - iPhone jest znakiem towarowym firmy Apple Inc. zarejestrowanym w Stanach Zjednoczonych i innych krajach.
 - Znak towarowy iPhone jest wykorzystywany na warunkach licencji firmy Aiphone Co., Ltd.
 - App Store jest znakiem usługowym firmy Apple Inc.
 - Pozostałe znaki towarowe występujące w niniejszym dokumencie należą do odpowiednich właścicieli.
- W niektórych częściach tekstu głównego pominięto symbole ™ oraz ®.

OPIS CZĘŚCI

► Rys.2

1. **Przycisk**
2. **Port USB**
Do komunikacji z komputerem. Nie służy do ładowania urządzeń USB.
3. **Stan**

Kontrolka	Stan
Wył.	Do tego modułu nie podłączono źródła zasilania (akumulatora/USB).
Świeci się na zielono	Do tego modułu podłączono źródło zasilania.
Miga na czerwono	Błąd odczytu/ładowania danych

4. **Tryb**
Szczegółowe informacje na temat poszczególnych trybów zawiera instrukcja w formie aplikacji internetowej.

Kontrolka	Tryb
Wył.	Tryb komunikacji (Comm)
Świeci na czerwono	Tryb autonomiczny (akumulator)
Świeci się na zielono	Tryb autonomiczny (narzędzie)

5. Połączenie USB

Kontrolka	Połączenie USB
Wył.	Do tego modułu nie podłączono aplikacji komputerowej.
Świeci się na zielono	Do tego modułu podłączono aplikację komputerową.
Miga na zielono (szybko)	Komunikacja z aplikacją komputerową

6. Połączenie Bluetooth

Kontrolka	Połączenie Bluetooth
Wył.	Fale radiowe nie są generowane.
Świeci się na niebiesko	Nawiązano połączenie.
Miga na niebiesko	Fale radiowe są generowane. (Nie nawiązano połączenia).
Miga na niebiesko (szybko)	Komunikacja z aplikacją na smartfona

FUNKCJE URZĄDZENIA ADP12

Szczegółowe informacje na temat korzystania z aplikacji znajdują się w instrukcji urządzenia ADP12 w formie aplikacji internetowej. (Patrz Rys. 1).

Funkcje

- **Ustawienie antykradzieżowe (kod PIN)**
Istnieje możliwość ustawienia kodu PIN dla poszczególnych narzędzi i akumulatorów. Wówczas będzie można korzystać wyłącznie z kombinacji narzędzia i akumulatora ze zgodnymi kodami PIN.
- **Ustawienie licznika czasu akumulatora**
Istnieje możliwość ustawienia czasu/daty wygaśnięcia działania akumulatorów zgodnie z harmonogramem prac, dzięki czemu po zakończeniu prac korzystanie z akumulatorów nie będzie możliwe.
- **Pomoc serwisowa**
 - **Kontroler narzędzia**
Istnieje możliwość wyświetlenia stanu urządzenia i historii działania.
 - **Tester akumulatorów**
Istnieje możliwość wyświetlenia stanu akumulatora i historii działania.
 - **Rejestracja danych w notatniku**
W narzędziu oraz akumulatorze można zarejestrować znaki (liczba znaków możliwych do zarejestrowania zależy od modelu). Opcja ta jest przeznaczona do zarządzania narzędziami i rejestrowania historii konserwacji.

WSKAZÓWKA: Zależnie od narzędzia niektóre funkcje nie są dostępne.

WSKAZÓWKA: Liczbie działań w historii w kontrolerze narzędzia można wyświetlić nawet w przypadku zupełnie nowego narzędzia ze względu na kontrole przeprowadzane w fabryce itp.

PRZED ROZPOCZĘCIEM PRACY

Instalacja aplikacji

- Aplikacja jest bezpłatna, ale podczas pobierania mogą zostać naliczone dodatkowe opłaty wynikające z transferu danych.
- Aplikacja jest przeznaczona dla produktów firmy Makita.
- Z aplikacji należy korzystać po wyrażeniu zgody na warunki korzystania z aplikacji w najnowszej wersji. Warunki korzystania zostaną wyświetlone przy pierwszym uruchomieniu lub podczas instalacji aplikacji.
- Ze względu na aktualizacje w przyszłości ekran aplikacji może ulec zmianie lub stać się niedostępny.

W przypadku smartfonów/tabletów

Wcześniejsze przygotowania

Do korzystania z aplikacji konieczny jest smartfon/tablet (system iOS lub Android).

- iOS (iPhone): wymagany jest system iOS w wersji 13 lub nowszej.
- Android: Wymagany jest system Android w wersji 9,0 lub nowszej. Poza pewnymi wyjątkami w urządzeniach z systemem Android należy zezwolić na wykorzystywanie informacji o lokalizacji w połączeniach Bluetooth.

Instalacja aplikacji

1. Wyszukać w aplikacji App Store lub Google Play aplikację „Makita Tool Management”. Dostęp do niej można także uzyskać za pomocą poniższego kodu QR.

Strona pobierania aplikacji na smartfona

► Rys.3

2. Zainstalować aplikację. Na ekranie głównym pojawi się ikona aplikacji „Makita Tool Management”.

W przypadku komputerów

Wymagania systemowe

Aby możliwe było korzystanie z aplikacji, komputer musi spełniać następujące wymagania.

- System operacyjny: Windows 10 lub Windows 11

Instalacja aplikacji

1. Przejsć pod adres URL widoczny na poniższym rysunku.

Strona pobierania aplikacji komputerowej

► Rys.4

2. Pobrać plik „MakitaToolManagementSetup_EN_1020.exe” i zainstalować aplikację.

Łączenie z komputerem

Przed uruchomieniem aplikacji podłączyć ten moduł do komputera.

► Rys.5

UWAGA: Nie należy odłączać kabla USB, gdy kontrolka połączenia USB tego modułu miga.

Podłączanie akumulatora/narzędzia

Aksesoria opcjonalne

Przed uruchomieniem aplikacji podłączyć akumulator i narzędzie do tego modułu.

Wkładanie i wyjmowanie akumulatora

▲PRZESTROGA: Akumulator należy zawsze wkładać do końca, tak aby czerwony wskaźnik nie był widoczny. W przeciwnym razie może on przypadkowo wypaść z tego modułu, powodując obrażenia u operatora lub znajdujących się w pobliżu osób.

▲PRZESTROGA: Należy uważać, aby nie zaciśnąć palców pomiędzy akumulatorem a stykami.

UWAGA: Akumulator należy naładować przed rozpoczęciem pracy. Nie można użyć rozładowanego akumulatora.

UWAGA: Przed wyjęciem akumulatora należy upewnić się, że podłączone narzędzie zostało całkowicie zatrzymane i nie jest nawiązana komunikacja z aplikacją. W przeciwnym razie działanie może być nieprawidłowe.

Aby włożyć akumulator, wyrównać występ na akumulatorze z rowkiem w obudowie i wsunąć go na swoje miejsce. Wsunąć do oporu, aż zatrzaśnie się na miejscu, co jest sygnalizowane delikatnym kliknięciem. Jeśli jest widoczny czerwony wskaźnik pokazany na rysunku, akumulator nie został całkowicie zablokowany. Aby wyjąć akumulator, należy wysunąć go z tego modułu, przesuwając przycisk znajdujący się w przedniej części akumulatora.

► Rys.6: 1. Czerwony wskaźnik 2. Przycisk 3. Akumulator

Podłączanie i odłączanie narzędzia

▲PRZESTROGA: Nie należy umieszczać palców na przełączniku narzędzia. W przeciwnym razie niezamierzone uruchomienie mogłoby spowodować obrażenia.

UWAGA: Przed podłączeniem lub odłączeniem narzędzia należy upewnić się, że zostało ono całkowicie zatrzymane. W przeciwnym razie działanie może być nieprawidłowe.

UWAGA: Przed odłączeniem narzędzia należy upewnić się, że nie jest nawiązana komunikacja z aplikacją. W przeciwnym razie działanie może być nieprawidłowe.

WSKAZÓWKAWKA: Narzędzie nie działa, gdy ten moduł jest podłączony.

Aby podłączyć narzędzie, wyrównać występ na tym module z rowkiem w obudowie i wsunąć je na swoje miejsce. Wsunąć do oporu, aż zatrzaśnie się na miejscu, co jest sygnalizowane delikatnym kliknięciem. Aby odłączyć narzędzie, wysunąć je z tego modułu, przesuwając przycisk znajdujący się w przedniej części tego modułu.

► Rys.7

ROZWIĄZYWANIE PROBLEMÓW

Przed oddaniem produktu do naprawy należy sprawdzić następujące punkty.

Nieprawidłowe działanie	Prawdopodobna przyczyna (usterka)	Rozwiązanie
Moduł nie włącza się. Kontrolka stanu nie świeci się.	Stan naładowania akumulatora jest niski.	Naładować akumulator.
	Akumulator jest włożony nieprawidłowo.	Wyjąć akumulator. Ponownie włożyć akumulator zgodnie z opisem w niniejszej instrukcji.
Kontrolka stanu miga na czerwono.	Narzędzie zostało nieprawidłowo podłączone.	Odłączyć narzędzie. Ponownie podłączyć narzędzie zgodnie z opisem w niniejszej instrukcji.
	Akumulator jest włożony nieprawidłowo.	Wyjąć akumulator. Ponownie włożyć akumulator zgodnie z opisem w niniejszej instrukcji.
Moduł nie może nawiązać połączenia ze smartfonem/ tabletem.	Sygnal jest słaby.	Zbliżyć smartfon/tablet do modułu.
	Łączność Bluetooth w smartfonie/ tablecie została wyłączona.	Aktywować łączność Bluetooth w smartfonie/ tablecie.
Połączenie USB z komputerem nie działa.	Kabel USB nie został prawidłowo podłączony.	Upewnić się, że kabel USB jest właściwie podłączony do portu USB.
	Kabel jest uszkodzony.	Użyć innego kabla USB.
	Dane techniczne kabla USB są niewłaściwe.	Użyć kabla USB, którego dane techniczne są zgodne z opisem w niniejszej instrukcji. Należy zapoznać się z sekcją dotyczącą danych technicznych.

Jeśli mimo wykonania powyższych czynności nie można rozwiązać problemu, moduł może być uszkodzony. Należy skontaktować się z autoryzowanym punktem serwisowym firmy Makita.

KONSERWACJA

⚠ PRZESTROGA: Przed przystąpieniem do przeglądu narzędzia lub jego konserwacji upewnić się, że jest ono wyłączone, a akumulator wyjęty.

UWAGA: Nie myć modułu wodą. Ryzyko awarii.

UWAGA: Od czasu do czasu należy przetrzeć zewnętrzną część tego modułu ściereczką zwilżoną wodą z mydłem.

UWAGA: Nie stosować benzyny, rozpuszczalników, alkoholu itp. środków. Mogą one powodować odbarwienia, odkształcenia lub pęknięcia.

W celu zachowania odpowiedniego poziomu BEZPIECZEŃSTWA i NIEZAWODNOŚCI produktu wszelkie naprawy i różnego rodzaju prace konserwacyjne lub regulacje powinny być przeprowadzane przez autoryzowany lub fabryczny punkt serwisowy narzędzi Makita, zawsze z użyciem oryginalnych części zamiennych Makita.

RÉSZLETES LEÍRÁS

Típus:		ADP12
Alkalmazható akkumulátorok		BL4020 / BL4025 / BL4040 / BL4050F / BL4080F
Méretek (H x Sz x M) (az akkumulátor és a szerszám nélkül)		98 mm x 85 mm x 55 mm
Nettó tömeg (az akkumulátor és a szerszám nélkül)		0,17 kg
Bluetooth	Bluetooth®-os verzió	5,1 (alacsony energiás Bluetooth)
	Átviteli hatótávolság	Körülbelül 10 m
	Frekvenciasáv	2 402 MHz–2 480 MHz
Maximális rádiófrekvenciás teljesítmény		0,11 dBm (EIRP)

- Folyamatos kutató- és fejlesztőprogramunk eredményeként az itt felsorolt tulajdonságok figyelmeztetés nélkül megváltozhatnak.
- A tulajdonságok országról országra különbözhetnek.
- Lakóhelyétől függően előfordulhat, hogy a fent felsorolt akkumulátorok nem érhetőek el.

Alkalmazható USB-kábel

Olyan USB-kábelt használjon, amely a C típusú USB-csatlakozóba illeszthető.

Olyan USB-kábelt javasolunk, ami árnyékolással ellátott, rendelkezik az USB-IF jóváhagyásával, és legfeljebb körülbelül 1,8 m hosszúságú.

Alkalmazandó kábellel csatlakoztatott áramforrás

Az, hogy egy kábellel csatlakoztatott áramforrás alkalmazható-e vagy sem, attól függ, hogy milyen szerszámmal kell használni. Tekintse át a szerszám műszaki adatait.

Értesítés nem kompatibilis szerszámokkal kapcsolatosan

Bizonyos szerszámok nem kompatibilisek ezzel a csatlakozóval. A konkrét típusszámokat az ábrán látható webes kézikönyvben találja meg.

Az alkalmazás webes kézikönyve az ADP12 számára
▶ **Ábra1**

Szimbólumok

A következőkben a berendezésen esetleg használt jelképek láthatók. A szerszám használata előtt bizonyosodjon meg arról, hogy helyesen értelmezi a jelentésüket.



Olvassa el a használati utasítást.



Csak beltéri használatra.



Ni-MH
Li-ion

Csak EU-tagállamok számára
Mivel a berendezésben veszélyes alkatrészek vannak, az elektromos és elektronikus berendezések, akkumulátorok és elemek hulladékaik negatív hatással lehetnek a környezetre és az emberi egészségre.

Az elektromos és elektronikus készülékeket vagy akkumulátorokat ne dobja a háztartási szemétkbe!

Az elektromos és elektronikus berendezések hulladékairól és az akkumulátorokról és elemekről, valamint az akkumulátorok és elemek hulladékáról szóló európai irányelvnek, valamint a nemzeti jogszabályokhoz történő adaptálásának megfelelően a használt elektromos berendezéseket, elemeket és akkumulátorokat külön kell tárolni, és a települési hulladék elkülönített gyűjtőhelyére kell szállítani a környezetvédelmi előírásoknak megfelelően. Ezt jelzi a berendezésen elhelyezett áthúzott kerek kuka szimbólum.

Megfelelőségi nyilatkozatok

Csak európai országokra vonatkozóan

A megfelelőségi nyilatkozatok a jelen használati kézikönyv „A” mellékletében található.

BIZTONSÁGI FIGYELMEZTETÉS

A csatlakozó használata előtt tanulmányozza át a csatlakozón, az akkumulátoron és a csatlakozót használó terméken olvasható összes utasítást és figyelmeztető jelzést.

Kövesse az összes biztonsági figyelmeztetést és utasítást. Ha nem tartja be a figyelmeztetéseket és utasításokat, akkor áramütés, tűz és/vagy súlyos sérülés következhet be.

A munkaterület biztonsága

1. **Ne tegye ki a csatlakozót eső, hó vagy páras környezet hatásának.** Ellenkező esetben víz kerülhet a csatlakozóba, ami áramütést vagy rövidzárlatot okozhat.
2. **Ne működtesse a csatlakozót robbanásveszélyes környezetben, például gyúlékony folyadékok, gázok vagy por jelenlétében.** Robbanás- vagy tűzveszély.

Elektromos biztonság

1. **Olyan USB-kábelt használjon, amely a C típusú USB-csatlakozóba illeszthető. Ne módosítsa az USB-kábelt.** Ellenkező esetben meghibásodás történhet.
2. **Ne zárja rövidre a csatlakozót. Tartsa a csatlakozót távol más fémtárgyaktól, például tűktől vagy vezetékektől, amelyek összeköttetést hozhatnak létre az egyik csatlakozótól a másikkal.** A csatlakozók rövidre zárása égési sérüléseket vagy tüzet okozhat.
3. **A csatlakozót csak a meghatározott akkumulátorok használják. Ne használjon módosított akkumulátort.** Egyéb akkumulátorok használata sérülést vagy tüzet okozhat.

Szerviz

1. **A csatlakozó szervizelését bizza eredeti pótkatrészeket használó képzett javítószemélyzetre.** Ezzel biztosítja, hogy a csatlakozó biztonsága fennmaradjon.
Ne szerelje szét és ne módosítsa a csatlakozót. Tüzet, túlzott hőt vagy robbanást okozhat.
Ha bármilyen rendelleneséget észlel a csatlakozón, küldje el azt a Makita hivatalos vagy gyári szervizközpontokba ellenőrzésre és javításra. Ha javítási ismeretekkel és készségekkel nem rendelkező személy végzi a termék javítását, az nemcsak hogy nem fog megfelelően működni, hanem fennáll a baleset vagy a sérülés veszélye is.

További biztonsági figyelmeztetések

1. **Vizsgálja meg, hogy vannak-e sérült alkatrészek. Ha bármilyen rendellenesség vagy meghibásodás történik, azonnal hagyja abba a csatlakozó használatát.** Ha tovább használja, füst/tűz, áramütés és sérülés történhet.
<Példák rendellenességekre/hibákra>
 - A kábel vagy a csatlakozó rendellenesen forró.
 - Mély karcolások vagy deformációk vannak.
 - Amikor az USB-kábelhez ér, a vezeték vagy feszültség alatt állnak vagy nem.
 - Égett szaga van.
 - Elektromosságot észlel.**Ha úgy érzi, bármilyen probléma van, azonnal húzza ki az áramforrást a konnektorból, és forduljon a Makita hivatalos vagy gyári szervizközpontokhoz ellenőrzés és javítás céljából.**
2. **Ha használat közben bármilyen rendelleneséget észlel, például az akkumulátor hőtermelését, azonnal vegye ki az akkumulátort, és ne használja tovább.** Ha tovább használja füst, tűz vagy robbanás keletkezhet.

3. **Ne tárolja és használja a csatlakozót olyan helyen, ahol a hőmérséklet elérheti vagy meghaladhatja az 50 °C-t (122 °F).** Tartsa száraz helyen, gyermekektől távol. Balesetveszély áll fenn.
4. **Ne érjen a csatlakozókhoz vizes kézzel.** Áramütésveszély.
5. **Ne ejtsék le a csatlakozót.** Meghibásodásveszély.

ŐRIZZE MEG EZEKET AZ UTASÍTÁSOKAT – Ez a kézikönyv fontos biztonsági és üzemeltetési utasításokat tartalmaz a csatlakozóhoz.

A csatlakozó kölcsönadása esetén ezt a használati utasítást is mindig adja át.

Rádióhullámokra vonatkozó biztonsági figyelmeztetések

1. **Ne használja ezt a terméket nagy pontosságú vezérléssel és gyenge jelekkel rendelkező elektronikus eszközök közelében.** (Példák az óvatosságot igénylő elektronikus eszközökre: hallókészülék, szívritmusszabályzó, egyéb orvosi berendezések, tűzjelző, automata ajtó és egyéb automatikus vezérlőberendezések).
2. A termék rádióhullámai nem minden környezetben garantáltak. A következő esetekben előfordulhat, hogy a rádióhullám nem éri el az eszközt, vagy a rádióhullám megszakad.
 - Ha a terméket olyan épületekben használja, ahol beton, betonacél vagy fém van jelen.
 - Amikor a terméket akadályok közelében használja.
 - Amikor ezt a terméket zavarják az azonos frekvenciát használó vezeték nélküli kommunikációs eszközök.
 - Ha a terméket olyan berendezések, például mikrohullámú sütők közelében használja, amelyek mágneses mezőt, statikus elektromosságot vagy rádióinterferenciát generálnak.

VONATKOZÓ VÉDJEGEK és BEJEGYZETT VÉDJEGEK



- A Bluetooth® márka és logó a Bluetooth SIG, Inc. bejegyzett védjegyei, és azokat a Makita licenc mellett használja. Minden egyéb védjegy és kereskedelmi név azok tulajdonosaihoz tartozik.
- Az Android és a Google Play a Google LLC. védjegyei vagy bejegyzett védjegyei.
- Az iPhone az Apple Inc. védjegye, amit az USA-ban és más országokban jegyeztek be.
- Az iPhone védjegyet az Aiphone Co., Ltd. licence mellett használjuk.
- Az App Store az Apple Inc. szolgáltatási védjegye.
- A jelen dokumentumban szereplő minden más védjegy a megfelelő tulajdonosok tulajdonát képezi. Vegye figyelembe, hogy a ™ és ® jeleket a főszo-veg egyes részeiben kihagytuk.

ALKATRÉSZEK LEÍRÁSA

► Ábra2

- Gomb**
- USB-port**
Kommunikációhoz PC-vel. Nem használható USB-eszközök töltésére.
- Állapot**

Lámpa	Állapot
Ki	Áramforrás (akkumulátor/USB) nem csatlakozik a csatlakozóhoz.
Zölden világít	Áramforrás csatlakozik a csatlakozóhoz.
Pirosan villog	Adatolvasási/betöltési hiba

- Üzem mód**
Az egyes üzemmódok részleteit az alkalmazás webes kézikönyvében találja.

Lámpa	Üzem mód
Ki	Kommunikációs (Comm) üzemmód
Pirosan világít	Önálló üzemmód (Akkumulátor)
Zölden világít	Önálló üzemmód (Szerszám)

5. USB-csatlakozás

Lámpa	USB-csatlakozás
Ki	A PC-s alkalmazás nem csatlakozik a csatlakozóhoz.
Zölden világít	A PC-s alkalmazás csatlakozik a csatlakozóhoz.
Zölden villog (gyorsan)	Kommunikál a PC-s alkalmazással

6. Bluetoothos csatlakozás

Lámpa	Bluetoothos csatlakozás
Ki	Nem keletkezik rádióhullám.
Kéken világít	A csatlakozás létrejött.
Kéken villog	Keletkezik rádióhullám. (A csatlakozás nem jött létre.)
Kéken villog (gyorsan)	Kommunikál az okostelefonos alkalmazással

MIT LEHET CSINÁLNI AZ ADP12 SEGÍTSÉGÉVEL

Az alkalmazás használatának részleteit megtalálja az ADP12 számára készült alkalmazás webes kézikönyvében. (Lásd az 1. ábrán.)

Funkciók

- Lopásgátó beállítás (PIN-kód)**
PIN-kódot állíthat be minden egyes szerszámhoz és akkumulátorhoz. Csak az egyező PIN-kóddal rendelkező szerszám és akkumulátor kombinációja működtethető.
- Az akkumulátoridőzítő beállítása**
Az építési ütemtervnek megfelelően beállítható egy lejáratú idő/dátum az akkumulátorokhoz, hogy azok az építkezés befejezése után ne legyenek használhatók.
- Szervizelési segítségnyújtás**
 - Szerszámellenőrző**
Megjeleníthető a szerszám állapota és működési előzményei.
 - Akkumulátorellenőrző**
Megjeleníthető az akkumulátor állapota és működési előzményei.
 - Jegyzettömbös regisztráció**
A szerszámba és az akkumulátorba karaktereket regisztrálhat (a regisztrálható karakterek száma a típustól függ). A szerszámkezeléshez és a karbantartási előzményekhez használható.

MEGJEGYZÉS: Bizonyos funkciók a szerszámtól függően nem állnak rendelkezésre.

MEGJEGYZÉS: A szerszámellenőrzőben a gyári ellenőrzések stb. miatt még a vadonatúj szerszám esetében is megjelenhet a működési előzmények száma.

HASZNÁLAT ELŐTT

Az alkalmazás telepítése

- Az alkalmazás ingyenes, de a letöltéskor külön kommunikációs díj kerülhet felszámításra.
- Az alkalmazás kizárólag Makita termékekhez használható.
- Kérjük, hogy az alkalmazást az alkalmazás használati feltételei legfrissebb verziójának elfogadása után használja. Az alkalmazás első elindításakor vagy a telepítésekor megjelenik a használati feltételek képernyője.
- Az alkalmazás képernyője a jövőbeni frissítések miatt előzetes értesítés nélkül megváltozhat, vagy elérhetetlenné válhat.

Okostelefonokra/táblagépekre

Előzetes előkészületek

Egy okostelefon/táblagép (iOS vagy Android) szükséges az alkalmazás használatához.

- iOS (iPhone): iOS 13 vagy újabb szükséges.
- Android: Android 9,0 vagy újabb verziója szükséges.
Néhány kivételtől eltekintve az Androidos eszközöknek engedélyezniük kell a helyadatok használatát a Bluetoothos csatlakozáshoz.

Az alkalmazás telepítése

1. Keresse meg a „Makita Tool Management” (Makita szerszámkezelés) lehetőséget az App Store vagy a Google Play alkalmazásban.
Az alábbi ábra QR-kódjával is hozzáférhet.

Okostelefonos alkalmazásletöltési oldal

► Ábra3

2. Telepítse az alkalmazást. A „Makita Tool Management” (Makita szerszámkezelés) ikonja megjelenik a kezdőképernyőn.

PC-kre

Rendszerkövetelmények

A PC-nek az alábbi követelményeket kell teljesítenie az alkalmazás használatához.

- OS: Windows 10, vagy Windows 11

Az alkalmazás telepítése

1. Használja az alábbi ábrán látható URL-t.

PC-s alkalmazásletöltési oldal

► Ábra4

2. Töltse le a „MakitaToolManagementSetup_EN_1020.exe” nevű fájlt és telepítse az alkalmazást.

A PC csatlakoztatása

Az alkalmazás elindítása előtt csatlakoztassa a csatlakozót a PC-hez.

► Ábra5

MEGJEGYZÉS: Ne húzza ki az USB-kábelt, amíg a csatlakozó USB-csatlakozási lámpája villog.

Az akkumulátor/szerszám telepítése

Opcionális kiegészítők

Mielőtt az alkalmazást elindítja, telepítse az akkumulátort és a szerszámot a csatlakozóra.

Az akkumulátor behelyezése és eltávolítása

▲VIGYÁZAT: Mindig tolja be teljesen az akkumulátort, amíg a piros jel el nem tűnik. Ha nem így jár el, az akkumulátor kieshet a csatlakozóból, és Önnek vagy a környezetében tartózkodóknak sérülést okozhat.

▲VIGYÁZAT: Vigyázzon, ne hagyja becsípje az ujját az akkumulátor és a csatlakozók közé.

MEGJEGYZÉS: Használat előtt tölts fel az akkumulátort. A maradék kapacitással nem rendelkező akkumulátor nem használható.

MEGJEGYZÉS: Az akkumulátor eltávolításakor győződjön meg arról, hogy a telepített szerszám teljesen leállt, és nincs kommunikáció az alkalmazással. Ellenkező esetben meghibásodás történhet.

Az akkumulátor beszereléséhez illesse az akkumulátor nyelvét a burkolaton található vajatba, és csúsztassa a helyére. Egészen addig tolja be, amíg az egy kis kattánással a helyére nem ugrik. Ha látható a piros jel az ábrán látható módon, akkor nem kattant be teljesen. Az akkumulátor kivételéhez csúsztassa el az akkumulátor elején található gombot, közben húzza le a csatlakozóról.

► **Ábra6:** 1. Piros jel 2. Gomb 3. Akkumulátor

A szerszám behelyezése és eltávolítása

▲VIGYÁZAT: Ne tegye az ujját a szerszám kapcsolójára. Máskülönben véletlen beindítás történhet, ami sérülést okozhat.

MEGJEGYZÉS: Amikor behelyezi vagy eltávolítja a szerszámot, győződjön meg róla, hogy a szerszám teljesen megállt. Ellenkező esetben meghibásodás történhet.

MEGJEGYZÉS: A szerszám eltávolításakor győződjön meg róla, hogy nincs kommunikáció az alkalmazással. Ellenkező esetben meghibásodás történhet.

MEGJEGYZÉS: A szerszám nem működik ezzel a csatlakoztatott csatlakozóval.

A szerszám beszereléséhez illesse a csatlakozó nyelvét a burkolaton található vajatba, és csúsztassa a helyére. Egészen addig tolja be, amíg az egy kis kattánással a helyére nem ugrik.

A szerszám kivételéhez csúsztassa el a csatlakozó elején található gombot, közben húzza le a csatlakozóról.

► **Ábra7**

HIBAELHÁRÍTÁS

Mielőtt javítást igényelne, ellenőrizze a következőket.

Rendellenesség	Lehetséges ok (meghibásodás)	Megoldás
A csatlakozót nem lehet bekapcsolni. Az állapotlámpa nem világít.	Az akkumulátor kapacitása alacsony.	Töltse fel az akkumulátort.
	Az akkumulátort helytelenül szerelték be.	Haladéktalanul távolítsa el az akkumulátort. Az akkumulátort a jelen kézikönyvben leírtak szerint szerelje vissza.
Az állapotlámpa pirosan villog.	A szerszám nincs megfelelően behelyezve.	Haladéktalanul távolítsa el a szerszámot. A szerszámot a jelen kézikönyvben leírtak szerint szerelje vissza.
	Az akkumulátort helytelenül szerelték be.	Haladéktalanul távolítsa el az akkumulátort. Az akkumulátort a jelen kézikönyvben leírtak szerint szerelje vissza.
A csatlakozó nem tud kapcsolatot létesíteni az okostelefonnal/táblagéppel.	A jel gyenge.	Tegye az okostelefont/táblagépet közelebb a csatlakozóhoz.
	Az okostelefon/táblagép Bluetoothos csatlakozása le van tiltva.	Aktiválja az okostelefon/táblagép Bluetoothos csatlakozását.
Az USB-csatlakozás a PC-vel nem működik.	Az USB-kábel nincs megfelelően bedugva.	Győződjön meg róla, hogy az USB-kábel szilárdan legyen bedugva az USB-portba.
	A kábel megtört.	Használjon másik USB-kábelt.
	Az USB-kábel nem felel meg a műszaki adatoknak.	Az ebben a kézikönyvben megadott USB-kábelt használja. Olvassa el a műszaki adatok részt.

Ha a probléma a fenti intézkedések megtétele után sem oldódik meg, akkor lehet, hogy a csatlakozó hibás. Forduljon a Makita hivatalos szervizközpontjaihoz.

KARBANTARTÁS

⚠ VIGYÁZAT: Minden esetben ellenőrizze, hogy a szerszám ki van kapcsolva és az akkumulátor eltávolításra került mielőtt átvizsgálja a szerszámot vagy annak karbantartását végzi.

MEGJEGYZÉS: Ne mossa a csatlakozót vízzel. Meghibásodásveszély.

MEGJEGYZÉS: Időnként törölje át szappanos vízzel megnedvesített kendővel a csatlakozó külsejét.

MEGJEGYZÉS: Soha ne használjon gázolajt, benzint, hígítót, alkoholt vagy hasonló anyagokat. Ezek elszíneződést, alakvesztést vagy repedést okozhatnak.

A termék BIZTONSÁGÁNAK és MEGBÍZHATÓSÁGÁNAK fenntartása érdekében a javításokat és más karbantartásokat vagy beállításokat a Makita hivatalos vagy gyári szervizközpontjában kell elvégezni, mindig csak Makita cserealkatrészeket használva.

TECHNICKÉ ŠPECIFIKÁCIE

Model:		ADP12
Použiteľné akumulátory		BL4020 / BL4025 / BL4040 / BL4050F / BL4080F
Rozmery (D × Š × V) (Bez akumulátora a nástroja)		98 mm x 85 mm x 55 mm
Čistá hmotnosť (Bez akumulátora a nástroja)		0,17 kg
Bluetooth	Verzia Bluetooth®	5,1 (Bluetooth Low Energy)
	Dosah vysielania	Približne 10 m
	Frekvenčné pásmo	2 402 MHz – 2 480 MHz
	Maximálny rádiový výkon	0,11 dBm (EIRP)

- Vzhľadom k neustálemu výskumu a vývoju podliehajú technické údaje uvedené v tomto dokumente zmenám bez upozornenia.
- Technické údaje sa môžu pre rôzne krajiny líšiť.
- Niektoré vyššie uvedené akumulátory môžu byť nedostupné v závislosti od miesta vášho bydliska.

Použiteľný kábel USB

Používajte kábel USB, ktorý sa zhoduje s koncovkou USB typu C.

Odporúčame používať USB kábel s tienením, schválením USB-IF a dĺžkou maximálne 1,8 m.

Použiteľný káblom pripájaný napájací zdroj

Vhodnosť kábla pripájajúceho napájací zdroj závisí od toho, s akým nástrojom sa má používať. Pozrite si technické špecifikácie nástroja.

Oznámenie o nekompatibilných nástrojoch

Niektoré nástroje nie sú kompatibilné s týmto konektorom. Konkrétne čísla modelov nájdete vo webovom návode na obrázku.

Webový návod pre aplikáciu ADP12

► Obr.1

Symbody

Nižšie sú uvedené symboly, ktoré sa môžu používať pri tomto nástroji. Je dôležité, aby ste poznali ich význam, skôr než začnete pracovať.



Prečítajte si návod na obsluhu.



Používajte len v interiéri.



Len pre štáty EÚ
Z dôvodu prítomnosti nebezpečných komponentov v zariadení môžu mať odpad z elektrických a elektronických zariadení, použité akumulátory a batérie negatívny vplyv na životné prostredie a ľudské zdravie.

Elektrické a elektronické zariadenia alebo akumulátory nelikvidujte spolu s komunálnym odpadom!

V súlade s európskou smernicou o odpade z elektrických a elektronických zariadení, o akumulátoroch a batériách a odpade z akumulátorov a batérií, ako aj v súlade s prispôbenými vnútroštátnymi právnymi predpismi by sa odpad z elektrických a elektronických zariadení a použité akumulátory a batérie mali uskladiť osobitne a odovzdávať na samostatnom zbernom mieste pre komunálny odpad, ktoré sa prevádzkuje v súlade s predpismi na ochranu životného prostredia.

Označuje to symbol preškrtnutej smetnej nádoby na zariadení.

Vyhlasenia o zhode

Len pre krajiny Európy

Vyhlasenia o zhode sa nachádzajú v prílohe A tohto návodu na obsluhu.

BEZPEČNOSTNÉ VAROVANIA

Pred použitím tohto konektora si prečítajte všetky pokyny a výstražné označenia na tomto konektore, akumulátore a produkte používajúcom tento konektor. Dodržiavajte všetky bezpečnostné varovania a pokyny. Nedodržiavanie varovaní a pokynov môže mať za následok zasiahnutie elektrickým prúdom, požiar a/alebo vážne zranenie.

Bezpečnosť pracoviska

1. **Konektor nevystavujte dažďu, snehu ani vlhkosti.** Inak sa môže voda dostať do vnútra konektora a spôsobiť zásah elektrickým prúdom alebo skrat.
2. **Tento konektor nepoužívajte vo výbušnom prostredí, napríklad v prítomnosti zápalných kvapalín, plynov alebo prachu.** Riziko výbuchu alebo požiaru.

Elektrická bezpečnosť

1. **Používajte kábel USB, ktorý sa zhoduje s konektorom USB typu C. Neupravujte USB kábel.** V opačnom prípade môže dôjsť k poruche.
2. **Neskratujte kontakty. Kontakty udržiavajte v bezpečnej vzdialenosti od iných kovových predmetov, ako sú ihly alebo drôty, ktoré môžu spôsobiť vzájomne spojenie kontaktov.** Skratovanie kontaktov môže spôsobiť popáleniny alebo požiar.
3. **Tento konektor používajte iba s príslušnými typmi akumulátora. Nepoužívajte upravený akumulátor.** Pri použití akýchkoľvek iných akumulátorov vzniká riziko poranenia alebo požiaru.

Servis

1. **Servis tohto konektora nechajte vykonať kvalifikovaným pracovníkom použitím výhradne identických náhradných dielov.** Tým zaisťujete zachovanie bezpečnosti tohto konektora. **Konektor nerozoberajte ani ním neodborne nemanipulujte.** Môže to viesť k požiaru, nadmernému teplu alebo výbuchu. **Ak na konektore spozorujete akékoľvek anomálie, odošlite ho do autorizovaného alebo výrobného servisného strediska spoločnosti Makita na vykonanie kontroly a opravy.** Ak tento výrobok opravuje osoba bez znalostí a skúseností týkajúcich sa opravy, oprava sa nielenže nemusí podať, ale hrozí aj riziko nehody alebo poranenia.

Doplňujúce bezpečnostné varovania

1. **Kontrola na zistenie poškodenia súčastí. Ak zistíte akékoľvek anomálie alebo poruchy, konektor okamžite prestaňte používať.** Ak ho budete ďalej používať, môže to zapríčiniť dym/požiar, zásah elektrickým prúdom a poranenie. <Príklady anomálií, porúch>
 - Kábel alebo kontakty sú nezvyčajne horúce.
 - Nachádzajú sa tu hlboké ryhy alebo deformácie.
 - Keď sa dotknete USB kábla, vodiče môžu alebo nemusia byť pod prúdom.
 - Cítiť spálenie.
 - Je cítiť statickú elektrinu.**Ak nastanú akékoľvek problémy, okamžite odpojte zdroj napájania od konektora a obráťte sa na autorizované alebo výrobné servisné stredisko spoločnosti Makita so žiadosťou o vykonanie kontroly a opravy.**
2. **Ak spozorujete akékoľvek anomálie, ako je napríklad tvorba nadmerného tepla z akumulátora počas používania, okamžite akumulátor vyberte a prestaňte ho používať.** Pokračovanie v používaní môže spôsobiť dym, požiar alebo výbuch.

3. **Tento konektor neskladujte ani nepoužívajte na miestach s teplotou presahujúcou 50 °C (122 °F).** Skladujte ho na suchom mieste mimo dosahu detí. Hrozí nebezpečenstvo nehody.
4. **Nedotýkajte sa kontaktov mokrými rukami.** Nebezpečenstvo zásahu elektrickým prúdom.
5. **Konektor nevystavujte pádu.** Riziko poruchy.

ODLOŽTE SI TENTO NÁVOD NA OBSLUHU – tento návod na obsluhu obsahuje dôležité bezpečnostné a prevádzkové pokyny pre tento konektor. Pri požívaní tohto konektora vždy odovzdajte aj tento návod na obsluhu.

Bezpečnostné varovania pre rádiové vlny

1. **Tento výrobok nepoužívajte v blízkosti elektronických zariadení, ktoré vyžadujú vysoko presnú reguláciu a používajú slabé signály. (Príklady elektronických zariadení, ktoré vyžadujú pozornosť: načúvacie prístroje, kardiostimulátor, iné medicínske vybavenie, požiarne alarm, automatické dvere a iné automaticky ovládané zariadenia).**
2. **Rádiové vlny tohto výrobku nie sú garantované v každom prostredí. V nasledujúcich prípadoch nemusia mať rádiové vlny požadovaný dosah alebo môžu byť prerušené.**
 - Ak používate tento výrobok v budovách, kde bol použitý betón, oceľová výstuž alebo kovy.
 - Ak sa tento výrobok používa v blízkosti prekážok.
 - Ak je tento výrobok rušený bezdrôtovými komunikačnými zariadeniami, ktoré používajú rovnakú frekvenciu.
 - Ak sa tento výrobok používa v blízkosti zariadení, ako sú napríklad mikrovlnné rúry, ktoré vytvárajú magnetické pole, statickú elektrinu alebo rádiové rušenie.

PRÍSLUŠNÉ OCHRANNÉ ZNÁMKY a REGISTROVANÉ OCHRANNÉ ZNÁMKY



- Slovná značka a logá Bluetooth® sú registrované ochranné známky vo vlastníctve spoločnosti Bluetooth SIG, Inc. a akékoľvek použitie týchto známk spoločnosťou Makita je na základe licencie. Ostatné ochranné známky a obchodné názvy sú majetkom ich príslušných vlastníkov.
- Android a Google Play sú ochranné známky alebo registrované ochranné známky spoločnosti Google LLC.
- iPhone je ochranná známka spoločnosti Apple Inc. registrovaná v USA a ďalších krajinách.

- Ochranná známka iPhone sa používa na základe licencie od spoločnosti Aiphone Co., Ltd.
- App Store je servisná známka spoločnosti Apple Inc.
- Všetky ostatné ochranné známky uvedené v tomto dokumente sú majetkom príslušných vlastníkov. Uvedomte si, že značky ™ a ® sú na niektorých miestach hlavného textu vynechané.

POPIS SÚČASTÍ

► Obr.2

1. **Tlačidlo**
2. **Port USB**
Služi na komunikáciu s počítačom. Nesmie sa používať na nabíjanie USB zariadení.
3. **Stav**

Indikátor	Stav
Nesvieti	Zdroj napájania (akumulátor/USB) nie je pripojený ku konektoru.
Svieti nazeleno	Zdroj napájania je pripojený ku konektoru.
Bliká načerveno	Načítavanie údajov/chyba načítania

4. **Režim**
Podrobnosti o každom režime nájdete vo webovom návode pre aplikáciu.

Indikátor	Režim
Nesvieti	Komunikačný režim (Comm)
Svieti načerveno	Samostatný režim (Akumulátor)
Svieti nazeleno	Samostatný režim (Nástroj)

5. Pripojenie USB

Indikátor	Pripojenie USB
Nesvieti	Počítačová aplikácia nie je pripojená ku konektoru.
Svieti nazeleno	Počítačová aplikácia je pripojená ku konektoru.
Bliká nazeleno (rýchlo)	Komunikácia s počítačovou aplikáciou

6. Pripojenie Bluetooth

Indikátor	Pripojenie Bluetooth
Nesvieti	Negenerujú sa rádiové vlny.
Svieti namodro	Bolo nadviazané spojenie.
Bliká namodro	Generujú sa rádiové vlny. (Spojenie nebolo nadviazané.)
Bliká namodro (rýchlo)	Komunikácia s aplikáciou smartfónu

ČO MÔŽETE ROBIŤ S ADP12

Podrobnosti o spôsobe používania aplikácie nájdete vo webovom návode pre aplikáciu ADP12. (Pozrite si obr. 1.)

Funkcie

- **Nastavenie na ochranu proti krádeži (PIN kód)**
Pre každý nástroj a akumulátor môžete nastaviť PIN kód. Môže sa použiť len kombinácia nástroja a akumulátora so zhodnými PIN kódmi.
- **Nastavenie časovača akumulátora**
Pre akumulátor sa môže nastaviť čas/dátum expirácie podľa stavebného plánu, takže akumulátory sa nebudú môcť používať po dokončení stavby.
- **Asistenčné služby**
 - **Kontrola nástroja**
Dá sa zobraziť stav nástroja a prevádzková história.
 - **Kontrola akumulátora**
Dá sa zobraziť stav akumulátora a prevádzková história.
 - **Registrácia zápisníka**
Do nástroja a akumulátora môžete zaregistrovať znaky (počet znakov, ktoré je možné zaregistrovať, závisí od daného modelu). Služi na správu nástroja a históriu údržby.

POZNÁMKA: Niektoré funkcie nie sú k dispozícii v závislosti od daného nástroja.

POZNÁMKA: V kontrole nástroja sa môže zobraziť história počtu použití aj pri úplne novom nástroji z dôvodu kontroly v továrni atď.

PRED POUŽITÍM

Inštalácia aplikácie

- Aplikácia je bezplatná, ale pri jej preberaní môžu byť účtované samostatné komunikačné poplatky.
- Táto aplikácia je určená výhradne pre výroby značky Makita.
- Používajte túto aplikáciu až po súhlase s podmienkami používania najnovšej verzie aplikácie. Po prvom spustení alebo inštalácii aplikácie sa zobrazí obrazovka s podmienkami používania.
- Obrazovka aplikácie sa môže bez predchádzajúceho upozornenia zmeniť alebo nemusí byť k dispozícii z dôvodu budúcich aktualizácií.

Pre smartfóny/tablety

Predbežná príprava

Na používanie aplikácie je potrebný smartfón/tablet (iOS alebo Android).

- iOS (iPhone): vyžaduje sa iOS 13 alebo novšia verzia.
- Android: Vyžaduje sa verzia OS Android 9,0 alebo novšia.
Okrem niektorých výnimiek vyžadujú zariadenia s OS Android povolenie informácií o polohe na použitie pre pripojenia Bluetooth.

Inštalácia aplikácie

1. Vyhľadajte „Makita Tool Management“ v obchode App Store alebo Google Play. Prístup môžete získať aj prostredníctvom QR kódu na nasledujúcom obrázku.

Stránka na prevzatie aplikácie pre smartfóny

► Obr.3

2. Nainštalujte aplikáciu. Na vašej domovskej obrazovke sa vytvorí ikona „Makita Tool Management“.

Pre počítače

Požiadavky na systém

Na používanie aplikácie musí počítač spĺňať nasledujúce požiadavky.

- OS: Windows 10 alebo Windows 11

Inštalácia aplikácie

1. Získajte prístup k URL adrese uvedenej na nasledujúcom obrázku.

Stránka na prevzatie aplikácie pre počítače

► Obr.4

2. Prevezmite si súbor „MakitaToolManagementSetup_EN_v1020.exe“ a nainštalujte aplikáciu.

Pripojenie k počítaču

Pred spustením aplikácie pripojte tento konektor k počítaču.

► Obr.5

UPOZORNENIE: Neodpájajte USB kábel, kým indikátor pripojenia USB na konektore bliká.

Inštalácia akumulátora/nástroja

Voliteľné príslušenstvo

Pred spustením aplikácie nainštalujte akumulátor a nástroj na tento konektor.

Inštalácia alebo demontáž akumulátora

▲POZOR: Akumulátor vždy nainštalujte úplne tak, že už nie je vidieť červený indikátor. V opačnom prípade môže náhodne vypadnúť z konektora a spôsobiť poranenie vám alebo osobám v okolí.

▲POZOR: Dávajte si pozor, aby ste si nepričvikli prst medzi akumulátor a kontakty.

UPOZORNENIE: Akumulátor pred použitím nabíte. Akumulátor, ktorý nemá zvýšenú kapacitu nabíť, sa nesmie používať.

UPOZORNENIE: Pri vyberaní akumulátora sa uistite, že nainštalovaný nástroj je úplne vypnutý a neprebíha žiadna komunikácia s aplikáciou. V opačnom prípade môže dôjsť k poruche.

Akumulátor vložte tak, že jazýček akumulátora zarovnáte s drážkou v kryte a zasuniete ho na miesto. Zatlačte ho úplne, kým s kliknutím nezapadne na miesto. Ak vidíte červený indikátor, ako je znázornené na obrázku, nie je správne zaistený. Ak chcete vybrať akumulátor, vysuňte ho z konektora, pričom posuňte tlačidlo na prednej strane akumulátora.

► Obr.6: 1. Červený indikátor 2. Tlačidlo 3. Akumulátor

Inštalácia alebo vybratie nástroja

▲POZOR: Nedávajte prst na spínač nástroja. V opačnom prípade môže neúmyselné spustenie spôsobiť zranenie.

UPOZORNENIE: Pri inštalácii alebo vyberaní nástroja sa uistite, že nainštalovaný nástroj je úplne vypnutý. V opačnom prípade môže dôjsť k poruche.

UPOZORNENIE: Pri vyberaní nástroja sa uistite, že neprebíha žiadna komunikácia s aplikáciou. V opačnom prípade môže dôjsť k poruche.

POZNÁMKA: Nástroj nefunguje, keď je pripojený ku konektoru.

Nástroj nainštalujte tak, že jazýček konektora zarovnáte s drážkou v kryte a zasuniete ho na miesto. Zatlačte ho úplne, kým s kliknutím nezapadne na miesto.

Ak chcete vybrať nástroj, vysuňte ho z konektora, pričom posuňte tlačidlo na prednej strane konektora.

► Obr.7

RIEŠENIE PROBLÉMOV

Skôr, než požiadate o opravu, preverte nasledujúce body.

Chybný stav	Predpokladaná príčina (porucha)	Náprava
Konektor sa nedá zapnúť. Indikátor stavu nesvieti.	Zostávajúca kapacita akumulátora je nízka.	Akumulátor nabite.
	Akumulátor nie je nainštalovaný správne.	Ihneď vyberte akumulátor. Znova akumulátor nainštalujte podľa popisu v tomto návode.
Indikátor stavu bliká načerveno.	Nástroj nie je správne nainštalovaný.	Ihneď vyberte nástroj. Znova nástroj nainštalujte podľa popisu v tomto návode.
	Akumulátor nie je nainštalovaný správne.	Ihneď vyberte akumulátor. Znova akumulátor nainštalujte podľa popisu v tomto návode.
Nedá sa nadviazať spojenie medzi konektorom a smartfónom/tabletom.	Slabý signál.	Dajte smartfón/tablet bližšie ku konektoru.
	Pripojenie Bluetooth smartfónu/tabletu je vypnuté.	Zapnite pripojenie Bluetooth smartfónu/tabletu.
Pripojenie USB k počítaču nefunguje.	USB kábel nie je správne pripojený.	Uistite sa, že USB kábel je pevne pripojený k portu USB.
	Kábel je poškodený.	Použite iný USB kábel.
	USB kábel nespĺňa technické parametre.	Použite USB kábel špecifikovaný v tomto návode. Pozrite si časť Technické špecifikácie.

Ak sa napriek opatreniam uvedeným vyššie nepodarí problém odstrániť, môže byť konektor chybný. Obráťte sa na autorizované servisné strediská spoločnosti Makita.

ÚDRŽBA

⚠ POZOR: Pred vykonaním kontroly alebo údržby vždy skontrolujte, či je nástroj vypnutý a akumulátor je vybratý.

UPOZORNENIE: Konektor neumývajte vodou. Riziko poruchy.

UPOZORNENIE: Z času na čas utrite vonkajšie plochy konektora pomocou handričky navlhčenej v mydlovej vode.

UPOZORNENIE: Nepoužívajte benzín, riedidlo, alkohol ani podobné látky. Mohlo by to spôsobiť zmenu farby, deformácie alebo praskliny.

Ak chcete udržať BEZPEČNOSŤ a BEZPORUCHOVOSŤ výrobu, prenechajte opravy, údržbu a nastavenie na autorizované alebo továrenské servisné centrá Makita, ktoré používajú len náhradné diely značky Makita.

SPECIFIKACE

Model:		ADP12
Použitelný akumulátor		BL4020 / BL4025 / BL4040 / BL4050F / BL4080F
Rozměry (D × Š × V) (Bez akumulátoru a nářadí)		98 mm x 85 mm x 55 mm
Čistá hmotnost (Bez akumulátoru a nářadí)		0,17 kg
Bluetooth	Verze Bluetooth®	5,1 (Bluetooth low energy)
	Dosah vysílání	Přibližně 10 m
	Frekvenční pásmo	2 402 MHz – 2 480 MHz
	Maximální výkon rádiových vln	0,11 dBm (EIRP)

- Vzhledem k neustálému výzkumu a vývoji zde uvedené technické údaje podléhají změnám bez upozornění.
- Specifikace se mohou pro různé země lišit.
- V závislosti na regionu vašeho bydliště nemusí být některé výše uvedené akumulátory k dispozici.

Použitelný kabel USB

Použijte kabel USB, který odpovídá konektoru USB typu C.

Doporučujeme kabel USB se stíněním, schválením USB-IF a délkou až přibližně 1,8 m.

Použitelný drátový zdroj napájení

Zda je napájecí zdroj připojený kabelem použitelný závisí na tom, s čím se nářadí používá. Viz specifikace nářadí.

Upozornění na nekompatibilní nářadí

Některá nářadí nejsou s tímto konektorem kompatibilní. Konkrétní čísla modelů naleznete ve webové příručce na obrázku.

Webová příručka aplikace pro ADP12

► Obr.1

Symbols

Níže jsou uvedeny symboly, se kterými se můžete při použití nářadí setkat. Je důležité, abyste dříve, než s ním začnete pracovat, pochopili jejich význam.



Přečtěte si návod k obsluze.



Pouze k použití v interiéru.



Pouze pro země EU

Z důvodu přítomnosti nebezpečných součástí v zařízení mohou odpadní elektrické a elektronické zařízení, akumulátory a baterie negativně ovlivnit životní prostředí a lidské zdraví.



Ni-MH
Li-Ion

Elektrické a elektronické spotřebiče ani akumulátory nevyhazujte do domovního odpadu!

V souladu s evropskou směrnici o odpadních elektrických a elektronických zařízeních, akumulátorech a bateriích a odpadních akumulátorech a bateriích, stejně jako jejím přizpůsobením ve vnitrostátním právu, by odpadní elektrická zařízení, baterie a akumulátory měly být uchovávány odděleně a měly by být odevzdány na vyhrazeném sběrném místě komunálního odpadu, které je provozováno v souladu s předpisy na ochranu životního prostředí.

Toto je označeno symbolem přeškrtnuté popelnice na kolečkách, který je umístěn na zařízení.

Prohlášení o shodě

Pouze pro evropské země

Prohlášení o shodě jsou obsažena v Příloze A tohoto návodu k obsluze.

BEZPEČNOSTNÍ VÝSTRAHY

Před použitím tohoto konektoru si přečtěte všechny pokyny a varovné symboly na tomto konektoru, akumulátoru a výrobku využívajícím konektor. Dodržujte veškerá bezpečnostní upozornění a všechny pokyny. Zanedbání výstrah a pokynů může mít za následek úraz elektrickým proudem, vznik požáru a/nebo vážné zranění.

Bezpečnost na pracovišti

1. **Konektor nevystavujte dešti, sněhu ani vlhku.**
Jinak může do konektoru vniknout voda s následkem rizika zásahu elektrickým proudem nebo zkratu.
2. **S konektorem nepracujte v prostředí s výbušnou atmosférou, například s výskytem hořlavých kapalin, plynů či prachu.** Nebezpečí výbuchu nebo požáru.

Elektrická bezpečnost

1. **Použijte kabel USB, který odpovídá konekturu USB typu C. Kabel USB neupravujte.** Jinak by mohlo dojít k poruše.
2. **Sworku nezkratujte. Udržujte sworku v dostatečné vzdálenosti od jiných kovových předmětů, jako jsou jehly nebo dráty, které mohou vytvořit spojení mezi jednotlivými sworkami.** Zkratování sworek může způsobit popáleniny nebo požár.
3. **Konektor používejte pouze s určenými akumulátory. Nepoužívejte upravený akumulátor.** Použití jiných akumulátorů může vyvolat nebezpečí zranění a požáru.

Servis

1. **Konektor si nechávejte opravovat kvalifikovaným pracovníkem s použitím výhradně identických náhradních dílů.** Tím zajistíte zachování bezpečnosti konektoru.
Konektor nerozebírejte ani do něj nezasahujte. Může dojít k požáru, nadměrnému zahřátí nebo výbuchu.
Pokud si všimnete jakékoli abnormality na tomto konektoru, zašlete jej do autorizovaného nebo továrního servisního střediska Makita za účelem kontroly a opravy.
Pokud tento výrobek opraví osoba bez znalostí a dovedností v oblasti oprav, nejenže nebude dostatečně fungovat, ale také hrozí nebezpečí nehody nebo zranění.

Další bezpečnostní výstrahy

1. **Kontrolujte případně poškozené části. Zjistíte-li neobvyklé stavy nebo závady, okamžitě přestaňte konektor používat.** Pokud jej budete nadále používat, může dojít ke kouři/požáru, úrazu elektrickým proudem a zranění.
<Příklady neobvyklých stavů / závad>
 - Kabel nebo sworka jsou abnormálně horké.
 - Jsou zde hluboké škrábance nebo deformace.
 - Když se dotknete kabelu USB, vodiče mohou nebo nemusí být pod napětím.
 - Páchne spáleninou.
 - Dochází k elektrickému vjemu.**Pokud pocítíte nějaké potíže, okamžitě odpojte zdroj napájení od konektoru a kontaktujte autorizované servisní středisko nebo tovární servisní středisko Makita za účelem kontroly a opravy.**
2. **Pokud si všimnete jakýchkoli abnormalit, jako je zahřívání akumulátoru během používání, okamžitě akumulátor vyjměte a přestaňte jej používat.** Další používání může způsobit kouř, požár nebo výbuch.

3. **Neskladujte a nepoužívejte konektor na místech, kde může teplota překročit 50 °C (122 °F).** Uložte jej na suché místo mimo dosah dětí. Hrozí nebezpečí nehody.
4. **Nedotýkejte se svorek mokřými rukama.** Nebezpečí úrazu elektrickým proudem.
5. **Tento konektor nevystavujte pádu.** Riziko poruchy.

TYTO POKYNY USCHOVEJTE – Tento návod obsahuje důležité bezpečnostní a provozní pokyny pro tento konektor.

Při půjčování tohoto konektoru vždy přiložte i tento návod k obsluze.

Bezpečnostní varování pro rádiové vlny

1. **Nepoužívejte tento výrobek v blízkosti elektronických zařízení s vysoce přesným ovládním a slabými signály. (Příklady elektronických zařízení, která vyžadují opatrnost: sluchadlo, kardiomonitor, další zdravotnická zařízení, požární hlásič, automatické dveře a další automatická ovládací zařízení).**
2. **Rádiové vlny tohoto výrobku nejsou zaručeny ve všech prostředích. V následujících případech nemusí rádiová vlna dosáhnout cíle nebo může být přerušena.**
 - Při použití tohoto výrobku v budovách, kde se používá beton, armatury nebo kov.
 - Při používání tohoto výrobku v blízkosti překážek.
 - Pokud je tento výrobek rušen bezdrátovými komunikačními zařízeními, která používají stejnou frekvenci.
 - Při používání tohoto výrobku v blízkosti zařízení, jako jsou mikrovlnné trouby, které generují magnetické pole, statickou elektřinu nebo rádiové rušení.

PŘÍSLUŠNÉ OCHRANNÉ ZNÁMKY a REGISTROVANÉ OCHRANNÉ ZNÁMKY



- Značky a loga se slovem Bluetooth® jsou registrované ochranné známky, jejichž vlastníkem je společnost Bluetooth SIG, Inc., a jejich používání společností Makita podléhá licenci. Ostatní ochranné známky a obchodní názvy patří příslušným vlastníkům.
- Android a Google Play jsou ochranné známky nebo registrované ochranné známky společnosti Google LLC.
- iPhone je ochranná známka společnosti Apple Inc., registrovaná v USA a dalších zemích.
- Ochranná známka iPhone je používána v licenci společnosti Aiphone Co., Ltd.
- App Store je servisní značka společnosti Apple Inc.
- Všechny ostatní ochranné známky v tomto dokumentu jsou majetkem příslušných vlastníků. Upozorňujeme, že značky ™ a © jsou v některých částech hlavního textu vynechány.

POPIS DÍLŮ

► Obr.2

1. **Tlačítko**
2. **Port USB**
Pro komunikaci s PC. Nelze použít pro nabíjení zařízení USB.
3. **Stav**

Kontrolka	Stav
Nesvítí	K tomuto konektoru není připojen zdroj napájení (akumulátor/USB).
Svítí zeleně	K tomuto konektoru je připojen napájecí zdroj.
Bliká červeně	Chyba čtení/nahrávání dat

4. **Režim**
Podrobnosti o jednotlivých režimech se nachází ve webové příručce aplikace.

Kontrolka	Režim
Nesvítí	Režim komunikace (Comm)
Svítí červeně	Samostatný režim (akumulátor)
Svítí zeleně	Samostatný režim (nářadí)

5. Připojení USB

Kontrolka	Připojení USB
Nesvítí	Aplikace PC není k tomuto konektoru připojena.
Svítí zeleně	Aplikace PC je k tomuto konektoru připojena.
Bliká zeleně (rychle)	Probíhá komunikace s aplikací PC

6. Připojení Bluetooth

Kontrolka	Připojení Bluetooth
Nesvítí	Nevytvářejí se rádiové vlny.
Svítí modře	Spojení je navázáno.
Bliká modře	Vytvářejí se rádiové vlny. (Spojení není navázáno.)
Bliká modře (rychle)	Probíhá komunikace s aplikací chytrého telefonu

CO LZE DĚLAT S ADP12

Podrobnosti o tom, jak aplikaci používat, najdete ve webové příručce aplikace pro ADP12. (Viz obr. 1.)

Funkce

- **Nastavení ochrany proti krádeži (PIN kód)**
Pro každé nářadí a akumulátor můžete nastavit PIN kód. Obsluhovat lze pouze kombinaci nářadí a akumulátoru se shodnými PIN kódy.
- **Nastavení časovače akumulátoru**
U akumulátorů lze nastavit dobu/datum expirace podle stavebního plánu tak, aby akumulátory nebyly po dokončení stavby použitelné.
- **Servisní podpora**
 - **Kontrolní prvek nářadí**
Lze zobrazit stav nářadí a historii provozu.
 - **Kontrolní prvek akumulátoru**
Lze zobrazit stav akumulátoru a historii provozu.
 - **Registrace poznámkového bloku**
Můžete zaregistrovat znaky v nářadí a akumulátoru (počet znaků, které lze zaregistrovat, závisí na modelu). Používá se pro správu nářadí a historii údržby.

POZNÁMKA: Některé funkce nejsou dostupné v závislosti na nářadí.

POZNÁMKA: V kontrolním prvku nářadí se může zobrazit řada minulých operací i u zcela nového nářadí z důvodu kontrol v továrně atd.

PŘED POUŽITÍM

Instalace aplikace

- Aplikace je zdarma, ale při stahování může být účtován zvláštní poplatek za komunikaci.
- Aplikace je určena výhradně pro výrobky Makita.
- Použijte aplikaci po odsouhlasení nejnovější verze podmínek použití aplikace. Při prvním spuštění nebo instalaci aplikace se zobrazí obrazovka s podmínkami použití.
- Obrazovka aplikace může být změněna nebo nedostupná bez upozornění z důvodu budoucích aktualizací.

Pro chytré telefony / tablety

Příprava předem

K používání aplikace je nutný chytrý telefon / tablet (iOS nebo Android).

- iOS (iPhone): nutný systém iOS 13 nebo novější.
- Android: nutná verze systému Android 9,0 nebo novější.
Až na některé výjimky musí zařízení Android umožňovat použití informací o poloze pro připojení Bluetooth.

Instalace aplikace

1. Vyhledejte „Makita Tool Management“ v App Store nebo Google Play.
Můžete také použít QR kód na následujícím obrázku.

Stránka ke stažení aplikace pro chytré telefony

► Obr.3

2. Nainstalujte aplikaci. Na domovské obrazovce se vytvoří ikona „Makita Tool Management“.

Pro PC

Požadavky na systém

Abyste mohli PC používat aplikaci, musí splňovat následující požadavky.

- OS: Windows 10 nebo Windows 11

Instalace aplikace

1. Přejděte na URL adresu uvedenou na obrázku.

Stránka ke stažení aplikace PC

► Obr.4

2. Stáhněte si soubor „MakitaToolManagementSetup_EN_v1020.exe“ a nainstalujte aplikaci.

Připojení PC

Před spuštěním aplikace připojte konektor k PC.

► Obr.5

POZOR: Neodpojujte kabel USB, dokud kontrolka připojení USB tohoto konektoru neblíká.

Instalace akumulátoru/nářadí

Volitelné příslušenství

Před spuštěním aplikace nasadte akumulátor a nářadí do tohoto konektoru.

Nasazení a sejmутí akumulátoru

▲ UPOZORNĚNÍ: Akumulátor zasunujte vždy zcela tak, aby nebyl vidět červený indikátor. Jinak by mohl akumulátor z konektoru vypadnout a způsobit zranění obsluhy či osob v okolí.

▲ UPOZORNĚNÍ: Dávejte pozor, abyste si neskřípli prst mezi akumulátor a svorky.

POZOR: Před použitím akumulátor nabijte. Akumulátor, který není nabitý, nelze použít.

POZOR: Při snímání akumulátoru se ujistěte, že nainstalované nářadí je zcela zastaveno a neprobíhá žádná komunikace s aplikací. Jinak by mohlo dojít k poruše.

Při nasazování akumulátoru vyrovnejte jazýček na bloku akumulátoru s drážkou v krytu a zasuňte akumulátor na místo. Akumulátor zasuňte na doraz, až zacvakne na své místo. Není-li zcela zajištěn, uvidíte červený indikátor dle obrázku. Chcete-li akumulátor sejmout, vysuňte jej z konektoru se současným posunutím tlačítka na přední straně akumulátoru.

- **Obr.6:** 1. Červený indikátor 2. Tlačítko 3. Akumulátor

Nasazení a sejmутí nářadí

▲ UPOZORNĚNÍ: Nedávejte prst na spínač nářadí. Jinak může dojít k neúmyslnému spuštění s následkem úrazu.

POZOR: Při nasazování nebo snímání nářadí se ujistěte, že je nasazované nářadí zcela zastaveno. Jinak by mohlo dojít k poruše.

POZOR: Při snímání nářadí se ujistěte, že s aplikací neprobíhá žádná komunikace. Jinak by mohlo dojít k poruše.

POZNÁMKA: Nářadí není poháněno, když je tento konektor připojen.

Při nasazování nářadí vyrovnejte jazýček na konektoru s drážkou v krytu a zasuňte jej na místo. Akumulátor zasuňte na doraz, až zacvakne na své místo. Chcete-li nářadí sejmout, vysuňte jej z konektoru se současným posunutím tlačítka na přední straně konektoru.

► Obr.7

ŘEŠENÍ POTÍŽÍ

Než požádáte o opravu, zkontrolujte následující body.

Problém	Pravděpodobná příčina (porucha)	Náprava
Konektor se nemůže zapnout. Stavová kontrolka nesvítlí.	Nízká zbývající kapacita akumulátoru.	Nabijte blok akumulátoru.
	Akumulátor je nesprávně nasazen.	Okamžitě vyjměte akumulátor. Nasadte akumulátor zpět podle popisu v této příručce.
Stavová kontrolka bliká červeně.	Nářadí je zasunuto nesprávně.	Okamžitě nářadí sejměte. Nasadte nářadí zpět podle popisu v této příručce.
	Akumulátor je nesprávně nasazen.	Okamžitě vyjměte akumulátor. Nasadte akumulátor zpět podle popisu v této příručce.
Konektor nemůže navázat spojení s chytrým telefonem / tabletem.	Signál je slabý.	Umístěte chytrý telefon / tablet blíže ke konektoru.
	Připojení Bluetooth chytrého telefonu / tabletu je zakázáno.	Aktivujte připojení Bluetooth chytrého telefonu / tabletu.
Připojení USB s PC nefunguje.	Kabel USB není správně zapojen.	Ujistěte se, že je kabel USB pevně zapojen do portu USB.
	Kabel je poškozený.	Použijte jiný kabel USB.
	Kabel USB neodpovídá specifikaci.	Použijte kabel USB, který je uveden v tomto návodu. Viz část se specifikacemi.

Pokud problém nelze vyřešit ani po provedení výše uvedených opatření, může být konektor vadný. Kontaktujte autorizovanou servisní středisko Makita.

ÚDRŽBA

⚠ UPOZORNĚNÍ: Před zahájením kontroly nebo údržby nářadí se vždy ujistěte, zda je vypnuté a je vyjmut akumulátor.

POZOR: Nemyjte konektor ve vodě. Riziko poruchy.

POZOR: Vnější část konektoru pravidelně otírejte hadříkem navlhčeným v mýdlové vodě.

POZOR: Nikdy nepoužívejte benzín, benzen, ředidlo, alkohol či podobné prostředky. Mohlo by tak dojít ke změnám barvy, deformacím či vzniku prasklin.

K zachování BEZPEČNOSTI a SPOLEHLIVOSTI výrobku musí být opravy a veškerá další údržba či seřizování prováděny autorizovanými nebo továrními servisními středisky společnosti Makita s využitím náhradních dílů Makita.

TEHNIČNI PODATKI

Model:		ADP12
Uporabna akumulatorska baterija		BL4020 / BL4025 / BL4040 / BL4050F / BL4080F
Mere (D x Š x V) (brez baterije in orodja)		98 mm x 85 mm x 55 mm
Neto teža (brez baterije in orodja)		0,17 kg
Bluetooth	Različica Bluetooth®	5,1 (Bluetooth low energy (nizkoenergijski Bluetooth))
	Doseg prenosa	Približno 10 m
	Frekvenčni pas	2.402 MHz – 2.480 MHz
	Maksimalna radiofrekvenčna moč	0,11 dBm (EIRP)

- Ker nenehno opravljamo raziskave in razvijamo svoje izdelke, se lahko tehnični podatki v tem dokumentu spremenijo brez obvestila.
- Tehnični podatki se lahko razlikujejo od države do države.
- Nekatere zgoraj navedene akumulatorske baterije morda v vaši državi prebivališča niso na voljo.

Primeren kabel USB

Uporabite kabel USB, ki ima priključek USB vrste C. Priporočamo kabel USB z zaščito, potrdilom USB-IF in dolžino do približno 1,8 m.

Primeren vir napajanja s kablom

Ali je vir napajanja s kablom primeren ali ne, je odvisno od tega, s čim bo orodje uporabljeno. Preberite tehnične podatke orodja.

Obvestilo o nezdružljivih orodjih

Nekatera orodja niso združljiva s tem priključkom. Za specifične številke modelov si oglejte spletni priročnik na sliki.

Spletni priročnik za aplikacijo za ADP12

► SI.1

Simboli

Naslednji simboli se lahko uporabljajo v povezavi s strojem. Pred uporabo izdelka se obvezno seznanite z njihovim pomenom.



Preberite navodila za uporabo.



Samo za uporabo v zaprtih prostorih.



Ni-MH
Li-ion

Samo za države EU

Zaradi prisotnosti nevarnih komponent v opremi imajo lahko uporabljena električna in elektronska oprema, akumulatorji in baterije negativen vpliv na okolje in zdravje ljudi.

Električnih in elektronskih naprav ali baterij ne odlagajte med gospodinjske odpadke! Skladno z evropsko Direktivo o odpadni električni in elektronski opremi, o akumulatorjih in baterijah ter odpadnih akumulatorjih in baterijah ter njeno uporabo v državnih zakonih morate rabljeno električno in elektronsko opremo, baterije in akumulatorje zbirati ločeno ter dostaviti na posebno zbiralno mesto za komunalne odpadke, ki deluje skladno s predpisi za zaščito okolja. To nakazuje simbol prečrtanega smetnjaka s kolesi, ki je natisnjen na opremi.

Izjave o skladnosti

Samo za evropske države

Izjave o skladnosti so vključene v dodatku A teh navodil za uporabo.

VARNOSTNA OPOZORILA

Pred uporabo tega priključka preberite vsa navodila in opozorilne oznake na tem priključku, akumulatorski bateriji in izdelku, ki uporablja ta priključek. Upošteвайте vsa varnostna opozorila in navodila. Zaradi neupoštevanja opozoril in navodil lahko pride do električnega udara, požara in/ali hudih telesnih poškodb.

Varnost na delovnem mestu

1. **Tega priključka ne izpostavljajte dežju, snegu ali mokroti.** V nasprotnem primeru lahko voda vstopi v priključek in povzroči električni udar ali kratki stik.
2. **Tega priključka ne uporabljajte v eksplozivnih območjih, kjer so prisotne vnetljive tekočine, plini ali prah.** Nevarnost eksplozije ali požara.

Električna varnost

1. **Uporabite kabel USB, ki ima priključek USB vrste C. Ne spreminjajte kabla USB.** V nasprotnem primeru lahko pride do okvare.
2. **Ne povzročite kratkega stika na terminalu.** Terminal držite stran od drugih kovinskih predmetov, kot so igle ali žice, saj lahko povzročijo povezavo od enega terminala do drugega. Če povzročite kratki stik s povezavo terminalov skupaj, lahko povzročite opekline ali požar.
3. **Ta priključek uporabljajte samo s samo za to namenjenimi akumulatorskimi baterijami. Ne uporabljajte predelane baterije.** Pri uporabi drugih akumulatorskih baterij lahko pride do telesnih poškodb in požara.

Servis

1. **Ta priključek naj servisira usposobljen popravilavec s samo identičnimi nadomestnimi deli.** Tako se zagotovi, da se ohrani varnost tega priključka.

Ne razstavljajte ali spreminjajte tega priključka. S tem lahko povzročite požar, prekomerno vročino ali eksplozijo.

Če opazite kakršnokoli nepravilnosti na priključku, ga pošljite pooblaščenemu ali tovarniškemu servisnemu centru družbe Makita v pregled in popravilo.

Če ta izdelek popravlja oseba brez znanja in veščin za popraviljanje, bo zmogljivost izdelek slabša, obstaja pa tudi tveganje nezgode ali poškodb.

Dodatna varnostna opozorila

1. **Preverite, ali so deli poškodovani. Če se pojavi kakršnakoli nepravilnost ali okvara, takoj prenehajte uporabljati ta priključek.** Če ga boste uporabljali še naprej, lahko pride do dima/požara, električnega udara in poškodb.
<Primeri nepravilnosti/okvar>

- Kabel ali terminal sta neobičajno vroča.
- Prisotnost globokih prask ali deformacij.
- Ko se dotaknete kabla USB, je lahko v predvodnikih električna energija ali pa je ni.
- Vonj po zažganem.
- Občutek naelektrenosti.

Če občutite kakršnokoli težave, takoj odklopite vir napajanja s priključka in se obrnite na pooblaščen ali tovarniški servisni center družbe Makita, da pregleda in popravi izdelek.

2. **Če opazite kakršnokoli nepravilnosti, kot je segrevanje akumulatorske baterije med uporabo, takoj odstranite in prenehajte uporabljati akumulatorsko baterijo.** Če nadaljujete z uporabo, se lahko pojavi dim, požar ali eksplozija.

3. **Ne shranjujte in ne uporabljajte tega priključka na mestih, kjer lahko temperatura doseže ali preseže 50 °C (122 °F).** Hranite ga na suhem mestu in izven doseg otrok. Obstaja tveganje za nezgodo.
4. **Terminalov se ne dotikajte z mokrimi rokami.** Nevarnost električnega udara.
5. **Priključek vam naj ne pade na tla.** Tveganje za okvaro.

SHRANITE TA NAVODILA – Ta priročnik vsebuje pomembna varnostna navodila in navodila za uporabo tega priključka.

Kadar posojate priključek, vedno priložite ta navodila za uporabo.

Varnostna opozorila glede radijskih valov

1. **Tega izdelka ne uporabljajte v bližini elektronskih naprav z izredno natančnim upravljanjem in šibkimi signali.** (Primeri elektronskih naprav, pri katerih je treba biti pozoren: slušni aparat, srčni spodbujevalnik, druga medicinska oprema, požarni alarm, avtomatska vrata in druga oprema za avtomatsko upravljanje).
2. **Zagotovila glede radijskih valov tega izdelka ne veljajo za vsa okolja.** V naslednjih primerih radijski valovi morda ne bodo dosegli cilja ali pa bodo moteni.
 - Pri uporabi tega izdelka v stavbah, ki vsebujejo beton, armaturne palice ali kovino.
 - Pri uporabi tega izdelka v bližini ovir.
 - Kadar ta izdelek ovirajo brezžične komunikacijske naprave, ki uporabljajo isto frekvenco.
 - Pri uporabi tega izdelka v bližini opreme, kot so mikrovalovne pečice, ki ustvarjajo magnetno polje, statično elektriko ali radijske motnje.

USTREZNE BLAGOVNE ZNAMKE in REGISTRIRANE BLAGOVNE ZNAMKE



- Besedna znamka in logotipi Bluetooth® so registrirane blagovne znamke v lasti družbe Bluetooth SIG, Inc., družba Makita pa vse te znamke uporablja v okviru licence. Druge blagovne znamke in tržna imena so lastnina njihovih lastnikov.
 - Android in Google Play sta blagovni znamki ali registrirani blagovni znamki družbe Google LLC.
 - iPhone je blagovna znamka družbe Apple Inc., registrirana v ZDA in drugih državah.
 - Blagovna znamka iPhone se uporablja v okviru licence družbe Aiphone Co., Ltd.
 - App Store je storitvena znamka družbe Apple Inc.
 - Vse druge blagovne znamke v tem dokumentu so lastnina njihovih lastnikov.
- Upoštevajte, da sta oznaki™ in © opuščeni v nekaterih delih glavnega besedila.

OPIS DELOV

► Sl.2

- Gumb**
- Vrata USB**
Za komunikacijo z osebnim računalnikom. Ni mogoče uporabljati za polnjenje naprav USB.
- Stanje**

Lučka	Stanje
Ne sveti	Vir napajanja (akumulatorska baterija/USB) ni priključen na ta priključek.
Sveti zeleno	Vir napajanja je priključen na ta priključek.
Utripa rdeče	Napaka pri branju/nalaganju podatkov

- Način**
Podrobnosti o posameznem načinu si oglejte v spletnem priročniku za aplikacijo.

Lučka	Način
Ne sveti	Komunikacijski (Comm) način
Sveti rdeče	Samostojni način (baterija)
Sveti zeleno	Samostojni način (orodje)

5. Povezava USB

Lučka	Povezava USB
Ne sveti	Aplikacija za osebni računalnik ni povezana s tem priključkom.
Sveti zeleno	Aplikacija za osebni računalnik je povezana s tem priključkom.
Utripa zeleno (hitro)	Komuniciranje z aplikacijo za osebni računalnik

6. Povezava Bluetooth

Lučka	Povezava Bluetooth
Ne sveti	Radijski valovi se ne ustvarjajo.
Sveti modro	Povezava je vzpostavljena.
Utripa modro	Radijski valovi se ustvarjajo. (Povezava ni vzpostavljena.)
Utripa modro (hitro)	Komuniciranje z aplikacijo za pametne telefone

KAJ LAHKO POČNETE Z ADP12

Podrobnosti o uporabi aplikacije si oglejte v spletnem priročniku za aplikacijo ADP12. (Glejte sl. 1.)

Funkcije

- Nastavitev proti kraji (koda PIN)**
Kodo PIN lahko nastavite za vsako orodje in akumulatorsko baterijo. Uporabljati je mogoče samo kombinacijo orodja in akumulatorske baterije, ki imata isto kodo PIN.
- Nastavitev časovnika za baterijo**
Za akumulatorske baterije je mogoče nastaviti uro/ datum poteka glede na raspored gradnje, tako da akumulatorskih baterij ni mogoče uporabljati po zaključku gradnje.
- Servisna pomoč**
 - Preverjevalnik orodja**
Prikazati je mogoče stanje in zgodovino uporabe orodja.
 - Preverjevalnik baterije**
Prikazati je mogoče stanje in zgodovino uporabe baterije.
 - Registracija beležnice**
V orodju in akumulatorski bateriji je mogoče registrirati znake (število znakov, ki jih je mogoče registrirati, je odvisno od modela). Uporablja se za upravljanje orodja in zgodovino vzdrževanj.

OPOMBA: Odvisno od orodja nekatere funkcije morda niso na voljo.

OPOMBA: V preverjevalniku orodja je zaradi pregledov v tovarni morda prikazano število preteklih uporab tudi pri popolnoma novih orodjih.

PRED UPORABO

Namestitev aplikacije

- Aplikacija je brezplačna, ampak se vam lahko pri prenosu zaračuna ločeno plačilo za prenos podatkov.
- Aplikacija je namenjena izključno za izdelke Makita.
- Aplikacijo začnite uporabljati po tem, ko sprejmete najnovejše pogoje uporabe aplikacije. Pri prvem zagonu ali nameščanju aplikacije se bo prikazal zaslon s pogoji uporabe.
- Zaslon aplikacije se lahko zaradi prihodnjih posodobitev spremeni ali postane nedostopen brez predhodnega obvestila.

Za pametne telefone/tablične računalnike

Predhodna priprava

Za uporabo aplikacije potrebujete pametni telefon/tablični računalnik (iOS ali Android).

- iOS (iPhone): zahtevan je operacijski sistem iOS 13 ali novejša različica.
- Android: zahtevana je različica operacijskega sistema Android 9,0 ali novejša. Z nekaj izjemami morajo naprave z operacijskim sistemom Android dovoliti uporabo podatkov o lokaciji za povezave Bluetooth.

Namestitev aplikacije

1. Poiščite „Makita Tool Management“ v trgovini App Store ali Google Play. Do prenosa aplikacije lahko dostopate tudi prek kode QR z naslednje slike.

Spletno mesto za prenos aplikacije za pametne telefone

► SI.3

2. Namestite aplikacijo. Na domačem zaslonu se ustvari ikona „Makita Tool Management“.

Za osebne računalnike

Sistemske zahteve

Osebni računalnik mora izpolnjevati naslednje zahteve za uporabo aplikacije.

- Operacijski sistem: Windows 10 ali Windows 11

Namestitev aplikacije

1. Pojdite na URL, prikazan na naslednji sliki.

Spletno mesto za prenos aplikacije za osebne računalnike

► SI.4

2. Prenesite „MakitaToolManagementSetup_EN_v1020.exe“ in namestite aplikacijo.

Povezava z osebnim računalnikom

Preden zaženete aplikacijo, povežite ta priključek z osebnim računalnikom.

► SI.5

OBVESTILO: Kabla USB ne odklapljajte, medtem ko lučka za povezavo USB na tem priključku utripa.

Namestitev akumulatorske baterije/ orodja

Dodatna oprema

Preden zaženete aplikacijo, namestite akumulatorsko baterijo in orodje na ta priključek.

Nameščanje ali odstranjevanje akumulatorske baterije

⚠️ POZOR: Vedno namestite akumulatorsko baterijo tako, da rdeči indikator ni več viden. Če tega ne upoštevate, lahko nepričakovano pade iz priključka in poškoduje vas ali osebe v neposredni bližini.

⚠️ POZOR: Bodite previdni, da si ne stisnete prstov med akumulatorsko baterijo in priključke.

OBVESTILO: Pred uporabo napolnite akumulatorsko baterijo. Akumulatorske baterije, ki nima več kapacitete, ni mogoče uporabiti.

OBVESTILO: Ko odstranjujete akumulatorsko baterijo, se prepričajte, da je nameščeno orodje popolnoma zaustavljeno in da ne poteka komunikacija z aplikacijo. V nasprotnem primeru lahko pride do okvare.

Akumulatorsko baterijo vstavite tako, da poravnate jeziček na bateriji z utorom na ohišju in jo potisnete v ležišče. Potisnite jo do konca, da se zaskoči s klikom. Če vidite rdeči indikator, kot je prikazano na sliki, se akumulatorska baterija ni ustrezno zaskočila.

Če želite odstraniti akumulatorsko baterijo, začnite pomikati gumb na sprednji strani akumulatorja in jo potisnite iz priključka.

► SI.6: 1. Rdeči indikator 2. Gumb 3. Baterijski vložek

Nameščanje ali odstranjevanje orodja

⚠️ POZOR: Prstov ne polagajte na stikalo orodja. V nasprotnem primeru ga lahko nenamerno zaženete in povzročite poškodbo.

OBVESTILO: Pri nameščanju ali odstranjevanju orodja se prepričajte, da je nameščeno orodje popolnoma zaustavljeno. V nasprotnem primeru lahko pride do okvare.

OBVESTILO: Pri odstranjevanju orodja se prepričajte, da ne poteka komunikacija z aplikacijo. V nasprotnem primeru lahko pride do okvare.

OPOMBA: Orodje ne deluje, ko je priključen ta priključek.

Orodje vstavite tako, da poravnate jeziček na priključku z utorom na ohišju in ga potisnete v ležišče. Potisnite ga do konca, da se zaskoči s klikom.

Če želite odstraniti orodje, začnite pomikati gumb na sprednji strani priključka in ga potisnite iz priključka.

► SI.7

ODPRAVLJANJE TEŽAV

Preden zahtevate popravilo, preverite naslednje:

Neobičajno stanje	Možni vzroki (okvare)	Ukrep
Priključek se ne more vklopiti. Lučka za stanje ne zasveti.	Preostala zmogljivost baterije je nizka.	Napolnite akumulatorsko baterijo.
	Akumulatorska baterija ni pravilno nameščena.	Odstranite akumulatorsko baterijo. Znova namestite akumulatorsko baterijo, kot je opisano v tem priročniku.
Lučka za stanje utripa rdeče.	Orodje ni pravilno nameščeno.	Odstranite orodje. Znova namestite orodje, kot je opisano v tem priročniku.
	Akumulatorska baterija ni pravilno nameščena.	Odstranite akumulatorsko baterijo. Znova namestite akumulatorsko baterijo, kot je opisano v tem priročniku.
Priključek ne more vzpostaviti povezave s pametnim telefonom/tabličnim računalnikom.	Signal je šibek.	Postavite pametni telefon/tablični računalnik bližje priključku.
	Povezava Bluetooth pametnega telefona/tabličnega računalnika je onemogočena.	Aktivirajte povezavo Bluetooth pametnega telefona/tabličnega računalnika.
Povezava USB z osebnim računalnikom ne deluje.	Kabel USB ni pravilno prikljupljen.	Prepričajte se, da je kabel USB trdno vtičnjen v vrata USB.
	Kabel je poškodovan.	Uporabite drug kabel USB.
	Kabel USB ni skladen s tehničnimi podatki.	Uporabite kabel USB, ki je skladen s tehničnimi podatki v tem priročniku. Glejte razdelek s tehničnimi podatki.

Če težave po zgornjih ukrepih ni mogoče odpraviti, je priključek morda okvarjen. Obrnite se na pooblaščen servisni center družbe Makita.

VZDRŽEVANJE

⚠ POZOR: Preden se lotite pregledovanja ali vzdrževanja orodja, se vedno prepričajte, da je orodje izklopljeno in akumulatorska baterija odstranjena.

OBVESTILO: Priključka ne čistite z vodo.
Tveganje za okvaro.

OBVESTILO: Občasno obrišite zunanost priključka s krpo, namočeno v milnico.

OBVESTILO: Nikoli ne uporabljajte bencina, razredčila, alkohola ali podobnega sredstva. V tem primeru se lahko orodje razbarva ali deformira oziroma lahko nastanejo razpoke.

VARNO in ZANESLJIVO delovanje tega izdelka bo zagotovljeno le, če boste popravila, vzdrževanje in nastavitve prepustili pooblaščenemu servisu za orodja Makita ali tovarniškemu osebju, ki vgrajuje izključno originalne nadomestne dele.

SPECIFIKIMET

Modeli:		ADP12
Kutia e aplikueshme e baterisë		BL4020 / BL4025 / BL4040 / BL4050F / BL4080F
Përmasat (Gj x Th x L) (Pa baterinë dhe veglën)		98 mm x 85 mm x 55 mm
Pesha neto (Pa baterinë dhe veglën)		0,17 kg
Bluetooth	Versioni i Bluetooth®	5,1 (Bluetooth me energji të ulët)
	Rrezja e transmetimit	Rreth 10 m
	Brezja i frekuencës	2 402 MHz - 2 480 MHz
	Fuqia maksimale e radiofrekuencës	0,11 dBm (EIRP)

- Për shkak të programit tonë të vazhdueshëm të kërkim-zhvillimit, specifikimet që jepen këtu mund të ndryshojnë pa dhënë njoftim.
- Specifikimet mund të ndryshojnë nga njëri shtet në tjetrin.
- Disa prej kutive të baterive të renditura më lart mund të mos jenë të disponueshme në varësi të zonës ku ju banoni.

Kabloja USB e aplikueshme

Përdorni një kablo USB që përshtatet me terminalin USB Type-C.

Rekomandojmë të përdorni kablo USB me veshje, me miratimin USB-IF, dhe gjatësi deri në 1,8 m.

Kordoni përkatës lidhur me burimin elektrik

Fakti nëse kordoni i lidhur me energjinë është i pranueshëm ose jo varet nga fakti se me cilin vegël do të përdoret. Referojuni parametrave të veglës.

Njoftim lidhur me veglat që nuk janë të pajtueshme

Disa prej veglave nuk janë të pajtueshme me këtë bashkues. Referojuni manualit të uebit në figurë për numrat e modelit specifik.

Manual uebi aplikimi për ADP12

► Fig.1

Simbolet

Pjesët në vazhdim tregojnë simbolet që mund të përdoren për pajisjen. Sigurohuni që merni vesh kuptimin e tyre përpara përdorimit.



Lexoni manualin e përdorimit.



Vetëm për përdorim të brendshëm.



Vetëm për shtetet e BE-së
Për shkak të pranisë së komponentëve të rrezikshëm në pajisje, mbejtjet e pajisjeve elektronike dhe elektrike, akumulatorët dhe bateritë, mund të kenë ndikim negativ në mjedis dhe në shëndetin e njerëzve. Mos i hidhni pajisjet elektrike dhe elektronike ose bateritë me mbejtjet shtëpiake!



Ni-MH
Li-ion

Në përputhje me Direktivën Evropiane për mbejtjet e pajisjeve elektrike dhe elektronike, akumulatorët dhe bateritë, dhe mbejtjet e akumulatorëve dhe baterive, si dhe përshirjen e saj në ligjin kombëtar, mbejtjet e pajisjeve elektrike dhe elektronike, akumulatorëve dhe baterive, duhet të mbahen veçmas dhe të dorëzohen në një pikë grumbullimi të veçantë për mbejtjet komunale, duke vepruar në përputhje me rregulloret e mbrojtjes së mjedisit.

Kjo tregohet nga simboli i koshit të plehrave me kryq, të vendosur mbi pajisje.

Deklaratat e konformitetit

Vetëm për shtetet evropiane

Deklaratat e konformitetit përfshihen në Shtojcën A në këtë manual përdorimi.

PARALAJMËRIME SIGURIE

Para se të përdorni këtë bashkues, lexoni të gjitha udhëzimet dhe shëniet paralajmëruese të ky bashkues, të kutia e baterisë dhe të produkti që përdor këtë bashkues.

Ndiqni të gjitha paralajmërimet dhe udhëzimet e sigurisë. Mosrespektimi i paralajmërimeve dhe udhëzimeve mund të rezultojë në goditje elektrike, zjarr dhe/ose lëndim të rëndë.

Siguria në zonën e punës

1. **Mos e ekspozoni këtë bashkues ndaj shiut, borës ose lagështisë.** Përndryshe në bashkues mund të futet ujë dhe të shkaktohet goditje elektrike ose qark i shkurtër.
2. **Mos e përdorni bashkuesin në atmosfera shpërthyes, si për shembull në praninë e subsancave të djegshme lëngje, gaze ose pluhur.** Rrezik shpërthimi ose zjarri.

Siguria elektrike

1. **Përdorni një kablo USB që përshtatet me terminalin USB Type-C.** Mos e modifikoni kabllo USB. Përndryshe mund të ndodhin defekte.
2. **Mos krijoni lidhje të shkurtër ndërmjet terminalave.** Mbajeni terminalin larg nga objektet e tjera metalike, si gjilpërat ose telat, të cilat mund të krijojnë lidhje nga një terminal në një tjetër. Krijimi i lidhjes së shkurtër ndërmjet terminalave mund të shkaktojë djegie ose zjarr.
3. **Përdoreni këtë bashkues vetëm me bateri të posaçme.** Mos përdorni bateri të modifikuara. Përdorimi i paketave të tjera të baterisë mund të paraqesë rrezik lëndimi dhe zjarri.

Shërbimi

1. **Kërkojini një personi të kualifikuar që t'i bëjë riparime këtij bashkuesi vetëm duke përdorur pjesë këmbimi të njëjta.** Kjo do të garantojë që të ruhet siguria e këtij bashkuesi.

Mos e çmontoni ose mos e ngacmoni këtë bashkues. Kjo mund të shkaktojë zjarr, nxehtësi të lartë ose shpërthim.

Nëse vini re ndonjë problem me këtë bashkues, dërgojeni te Qendrat e Autorizuara të Makita ose të Fabrikës për kontroll dhe riparim.

Nëse këtë produkt përpiqet ta riparojë një person që nuk ka njohuritë dhe aftësitë e duhura, produkti jo vetëm që nuk do të performojë siç duhet, por ekziston edhe rreziku i aksidenteve ose lëndimeve.

Paralajmërime shtesë mbi sigurinë

1. **Kontrollojeni nëse ka pjesë të dëmtuara.** Nëse ndodh ndonjë problem ose defekt, mos e përdorni më këtë bashkues. Nëse vazhdoni ta përdorni, mund të ndodhin tym/zjarr, goditje elektrike dhe dëmtime.
<Shembuj të anomalive/defekteve>
 - Kablloja ose terminalet janë shumë të nxehta.
 - Ka gërvishje të thella ose deformim.
 - Kur prekni kabllo USB, përçuesit mund të kenë ose mund të mos kenë energji.
 - Mban erë e djegur.
 - Ka një ndjesi elektrike.**Nëse ndjeni ndonjë problem, shkëputeni menjëherë energjinë nga bashkuesi dhe kontaktoni qendrat e autorizuara të servisit të Makita ose të fabrikës për kontroll dhe riparim.**
2. **Nëse vini re ndonjë problem, si nxehtëji të kutisë së baterisë gjatë përdorimit, hiqeni menjëherë kutinë e baterisë dhe mos e përdorni më.** Nëse vazhdoni ta përdorni, mund të shkaktohet tym, zjarr ose shpërthim.

3. **Mos e mbani dhe përdorni këtë bashkues në vende ku temperatura mund të arrijë ose kalojë 50 °C (122 °F).** Rruajtuni në një vend të thatë dhe larg fëmijëve. Ekziston rreziku i aksidenteve.
4. **Mos i prekni terminalet me duar të lagura.** Rrezik i goditjeve elektrike.
5. **Mos e rrezoni këtë bashkues.** Rrezik defektesh.

RUAJINI KËTO UDHËZIME – Ky manual përmban udhëzime të rëndësishme sigurie dhe operimi për këtë bashkues.

Kur ia jepni këtë bashkues dikujt tjetër, jepini edhe manualin e udhëzimeve.

Paralajmërime sigurie për valët radio

1. **Mos e përdorni këtë produkt pranë pajisjeve elektronike që kanë sinjale kontrolli dhe të dobëta me saktësi të lartë.** (Shembuj të pajisjeve elektronike që kanë nevojë për kujdes: Aparat dëgjimi, stimulues kardiak, pajisje të tjera mjekësore, alarm zjarri, derë automatike dhe pajisje të tjera të kontrollit automatik).
2. Valët e radios së këtij produkti nuk janë të garantuara në të gjitha mjediset. Në rastet e mëposhtme, valët e radios mund të mos arrijnë ose valët e radios mund të shkëputen.
 - Kur e përdorni këtë produkt në ndërtesa ku përdoret beton, shufra hekurit ose metal.
 - Kur e përdorni këtë produkt pranë pengesave.
 - Kur ky produkt interferohet nga pajisjet e komunikimit me valë që përdorin të njëjtën frekuencë.
 - Kur e përdorni këtë produkt pranë pajisjeve të tilla si, furra me mikrovalë që gjenerojnë fushë magnetike, elektricitet statik ose interferenca të valëve radio.

MARKAT TREGTARE PËRKATËSE dhe MARKAT TREGTARE TË REGJISTRUARA



- Logoja dhe marka e fjalës Bluetooth® janë marka të regjistruara tregtare që zotërohen nga Bluetooth SIG, Inc. dhe çdo përdorim i këtyre markave nga Makita bëhet me licencë. Markat e tjera tregtare dhe emrat e tjerë tregtarë u përkasin zotëruarëve të tyre përkatës.
- Android dhe Google Play janë marka tregtare ose marka tregtare të regjistruara të Google LLC.
- iPhone është markë tregtare e Apple Inc., e regjistruar në SHBA dhe në shtete të tjera.
- Marka tregtare iPhone përdoret nën licencë nga Aiphone Co., Ltd.
- App Store është markë shërbimi e Apple Inc.
- Të gjitha markat e tjera tregtare në këtë dokument janë pronë e pronarëve të tyre përkatës. Vini re se shenjat ™ dhe © janë hequr në disa pjesë të tekstit.

PËRSHKRIMI I PJESËVE

► Fig.2

- Butoni**
- Porta USB**
Për komunikim me një kompjuter. Nuk mund të përdoret për të karikuar pajisjet USB.
- Statusi**

Llamba	Statusi
Fikur	Burimi i energjisë (kutia e baterisë/USB) nuk është lidhur me këtë bashkues.
Ndezur ngjyrë jeshile	Burimi i energjisë është lidhur me këtë bashkues.
Pulson në ngjyrë të kuqe	Gabim në leximin/ngarkimin e të dhënave

- Regjimi**
Referojuni manualit të uebit të aplikacionit për hollësitë e secilit regjim.

Llamba	Regjimi
Fikur	Regjimi i komunikimit (Comm)
Ndezur ngjyrë të kuqe	Regjimi i pavarur (Bateria)
Ndezur ngjyrë jeshile	Regjimi i pavarur (Vegla)

5. Lidhja USB

Llamba	Lidhja USB
Fikur	Aplikacioni i kompjuterit nuk është lidhur me këtë bashkues.
Ndezur ngjyrë jeshile	Aplikacioni i kompjuterit është lidhur me këtë bashkues.
Pulson ngjyrë jeshile (shpejt)	Komunikim me aplikacionin e kompjuterit

6. Lidhje Bluetooth

Llamba	Lidhje Bluetooth
Fikur	Nuk gjenerohen valë radio.
Ndezur ngjyrë blu	Është krijuar lidhja.
Pulson ngjyrë blu	Gjenerohen valë radio. (Nuk është bërë lidhja.)
Pulson ngjyrë blu (shpejt)	Komunikim me aplikacionin e smartfonit

ÇFARË MUND TË BËNI ME ADP12

Për hollësi se si ta përdorni aplikacionin, referojuni manualit të uebit të aplikacionit për ADP12. (Shiko Fig.1.)

Veçoritë

- Parametri kundër vjedhjes (kodi PIN)**
Mund të vendosni kodin PIN për çdo vegël dhe kutinë e baterisë. Mund të përdoret vetëm kombinimi i veglës dhe kutisë së baterisë me kodin PIN që përputhen.
- Konfigurimi i kronometrit të baterisë**
Mund të vendoset një datë/orë skadimi për kutitë e baterisë sipas planit një ndërtimi në mënyrë që kutitë e baterisë të mos jenë më të përdorshme pasi ka mbaruar ndërtimi.
- Asistencë shërbimi**
 - Kontrolluesi i veglës**
Mund të shfaqen statusi i veglës dhe historia e përdorimit.
 - Kontrolluesi i baterisë**
Mund të shfaqen statusi i baterisë dhe historia e përdorimit.
 - Regjistrimi i bllokut të shënimeve**
Mund të regjistrohen karaktere në vegël dhe në kutinë e baterisë (numri i karaktereve që mund të regjistrohen varet nga modeli). Përdoret për menaxhimin e veglës dhe historinë e mirëmbajtjes.

SHËNIM: Disa veçori nuk janë të disponueshme në varësi të veglës.

SHËNIM: Te kontrolluesi i veglës, për shkak të kontrolleve në fabrikë, etj., numri i historisë së përdorimit mund të shfaqet edhe kur vegla është e re.

PARA PËRDORIMIT

Instalimi i aplikacionit

- Aplikacioni është falas, megjithatë mund të ketë një tarifë komunikimi kur bëhet shkarkimi.
- Aplikacioni është vetëm për produktet Makita.
- Përdorni aplikacionin vetëm pasi të keni pranuar versionin më të fundit të kushteve të përdorimit të aplikacionit. Pas hapjes për herë të parë ose pas instalimit të aplikacionit, do të shfaqet faqja e kushteve të përdorimit.
- Faqja e aplikacionit mund të ndryshohet ose mund të mos jetë e disponueshme për shkak të përditësimeve të ardhshme.

Për smartfonë/tabletë

Përgatitja më përpara

Nevojitet një smartfon/tabletë (iOS ose Android) për ta përdorur aplikacionin.

- iOS (iPhone): nevojitet iOS 13 ose më i ri.
- Android: Nevojitet versioni i Android 9,0 ose më i ri.
Përveç disa rasteve, pajisjet Android duhet të lejojnë që të përdoret informacioni i vendndodhjes për lidhjet me Bluetooth.

Instalimi i aplikacionit

1. Kërkoni "Makita Tool Management" në App Store ose Google Play.
Gjithashtu mund ta hapni nga kodi QR në figurën e mëposhtme.

Siti i shkarkimit të aplikacionit për smartfon

► Fig.3

2. Instaloni aplikacionin. Në faqen kryesore do të krijohet një ikonë "Makita Tool Management".

Për kompjuterë

Kërkesat e sistemit

Për të përdorur aplikacionin, kompjuteri duhet të plotësojë kërkesat e mëposhtme.

- OS: Windows 10 ose Windows 11

Instalimi i aplikacionit

1. Hapni URL-në që tregohet në figurën e mëposhtme.

Siti i shkarkimit të aplikacionit për kompjuter

► Fig.4

2. Shkarkoni "MakitaToolManagementSetup_EN_v1020.exe" dhe instaloni aplikacionin.

Lidhja e kompjuterit

Para se ta hapni aplikacionin, lidhni këtë bashkues me kompjuterin.

► Fig.5

VINI RE: Mos e shkëputni kabllo USB ndërsa llamba e lidhjes USB të këtij bashkuesi është duke pulsuar.

Montimi i kutisë së baterisë/veglës

Aksesorë opsionalë

Para se ta hapni aplikacionin, montoni kutinë e baterisë dhe veglën në këtë bashkues.

Instalimi ose heqja e kutisë së baterisë

▲KUJDES: Vendoseni gjithnjë plotësisht kutinë e baterisë derisa treguesi i kuq të mos duket. Në të kundërt, mund të bjerë padashur nga ky bashkues, duke shkakuar dëmtime ndaj jush ose dikujt pranë jush.

▲KUJDES: Bëni kujdes të mos zini gishtin mes kutisë së baterisë dhe terminaleve.

VINI RE: Karikojeni kutinë e baterisë para se ta përdorni. Nëse kutia e baterisë është bosh, atëherë nuk mund të përdoret.

VINI RE: Kur e hiqni kutinë e baterisë, sigurohuni që vegla e instaluar ka ndaluar komplet dhe që nuk ka komunikim me aplikacionin. Përndryshe mund të ndodhin defekte.

Për të vendosur kutinë e baterisë, bashkërenditni gjuhëzën e kutisë së baterisë me kanalën e folesë dhe rrëshqiteni për ta futur. Futeni deri në fund, derisa të kërçasë dhe të bllokohet në vend. Nëse shikoni treguesin e kuq siç tregohet në figurë, nuk është e bllokuar plotësisht.

Për ta hequr kutinë e baterisë, lëvizeni nga ky bashkues ndërsa lëvizni butonin përpara kutisë së baterisë.

► Fig.6: 1. Treguesi i kuq 2. Butoni 3. Kutia e baterisë

Montimi ose heqja e veglës

▲KUJDES: Mos e vendosni gishtin te çelësi i veglës. Përndryshe mund të ndizet padashur dhe t'ju shkaktojë dëmtime.

VINI RE: Kur e instaloni ose hiqni veglën, sigurohuni që vegla e instaluar të ketë ndaluar komplet. Përndryshe mund të ndodhin defekte.

VINI RE: Kur e hiqni veglën, sigurohuni që nuk është duke komunikuar me aplikacionin. Përndryshe mund të ndodhin defekte.

SHËNIM: Vegla nuk vihet në punë me këtë bashkues të lidhur.

Për ta montuar veglën, poziciononi gjuhëzën në këtë bashkues me folenë në trup dhe rrëshqiteni në vend. Futeni deri në fund, derisa të kërçasë dhe të bllokohet në vend.

Për ta hequr veglën, rrëshqiteni nga ky bashkues ndërsa lëvizni butonin përpara këtij bashkuesi.

► Fig.7

NDREQJA E DEFEKTEVE

Përpara se të kërkonti riparime, kontrolloni pikat e mëposhtme.

Gjendja anormale	Shkaku i mundshëm (keqfunksionimi)	Zgjidhja
Bashkuesi nuk ndizet. Llamba e statusit nuk ndizet.	Kapaciteti i mbetur i baterisë është i ulët.	Karikoni kutinë e baterisë.
	Kutia e baterisë nuk është instaluar mirë.	Hiqeni kutinë e baterisë një herë. Montoni përsëri kutinë e baterisë siç tregohet në këtë manual.
Llamba e statusit pulson në ngjyrë të kuqe.	Vegla nuk është montuar siç duhet.	Hiqeni veglën. Montojeni përsëri veglën siç tregohet në këtë manual.
	Kutia e baterisë nuk është instaluar mirë.	Hiqeni kutinë e baterisë një herë. Montoni përsëri kutinë e baterisë siç tregohet në këtë manual.
bashkuesi nuk mund të krijojë lidhjen me smartfonin/tabletën.	Sinjali është i dobët.	Vendoseni smartfonin/tabletën më afër bashkuesit.
	Lidhja e Bluetooth të smartfonit/tabletën është çaktivizuar.	Aktivizoni lidhjen e Bluetooth të smartfonit/tabletës.
Lidhja USB me kompjuterin nuk punon.	Kabloja USB nuk është lidhur siç duhet.	Sigurohuni që kabloja USB është lidhur mirë në portën USB.
	Kabloja është prishur.	Përdorni një kablo USB tjetër.
	Kabloja USB nuk ka parametrat e duhur.	Përdorni kabllo USB që tregohet në këtë manual. Referojuni pjesës së specifikimeve.

Nëse problemi nuk mund të zgjidhet edhe pasi të keni marrë masat e mësipërme, bashkuesi mund të jetë me defekt. Kontaktoni qendrat e autorizuara të servisit të Makita.

MIRËMBAJTJA

▲KUJDES: Sigurohuni gjithmonë që vegla të jetë fikur dhe të jetë hequr nga bateria përpara se të kryeni inspektimin apo mirëmbajtjen.

VINI RE: Mos e lani bashkuesin me ujë. Rrezik defektesh.

VINI RE: Herë pas here, fshijeni pjesën e jashtme të këtij bashkuesi duke përdorur një leckë të njomur me ujë me detergjent.

VINI RE: Mos përdorni kurrë benzinë, benzinë pastrimi, hollues, alkool dhe të ngjashme. Mund të shkaktoni çngjyrosje, deformime ose krisje.

Për të ruajtur SIGURINË dhe QËNDRUESHMËRINË, riparimet dhe çdo mirëmbajtje apo rregullim tjetër duhen kryer nga qendrat e autorizuara të shërbimit ose të shërbimit të fabrikës të Makita-s, duke përdorur gjithnjë pjesë këmbimi të Makita-s.

СПЕЦИФИКАЦИИ

Модел:		ADP12
Подходяща акумулаторна батерия		BL4020 / BL4025 / BL4040 / BL4050F / BL4080F
Размери (Д x Ш x В) (Без батерията и инструмента)		98 мм x 85 мм x 55 мм
Нето тегло (Без батерията и инструмента)		0,17 кг
Bluetooth	Версия на Bluetooth®	5,1 (Bluetooth low energy (Bluetooth с ниска консумация))
	Диапазон на предаване	Приблизително 10 м
	Честотна лента	2 402 MHz – 2 480 MHz
	Максимална мощност на радиочестотния сигнал	0,11 dBm (EIRP)

- Поради нашата непрекъсната научно-развойна дейност посочените тук спецификации могат да бъдат променени без предизвестие.
- Спецификациите може да са различни в различните държави.
- Някои от акумулаторните батерии, посочени по-горе, може да не са налични в зависимост от региона ви на местоживеене.

Приложим USB кабел

Използвайте USB кабел, който съответства на извода USB Type-C. Препоръчваме USB кабел с оплетка, USB-IF одобрение и дължина до около 1,8 м.

Приложим кабел за свързване към захранващ източник

Дали захранващият източник, свързан с кабела, е приложим или не, зависи от това с какво ще се използва инструментът. Вижте спецификацията на инструмента.

Уведомление относно несъвместимите инструменти

Някои инструменти не са съвместими с този конектор. Направете справка в уеб ръководството на фигурата за конкретни номера на модели.

Уеб ръководство за приложения за ADP12 ► Фиг.1

Символи

По-долу са описани символите, които може да се използват за тази машина. Задължително е да се запознаете с техните значения, преди да пристъпите към работа.



Прочетете ръководството за експлоатация.



Само за употреба на закрито.



Само за страни от ЕС
Поради наличието на опасни компоненти в оборудването отпадъците от електрическо и електронно оборудване, акумулатори и батерии може да имат отрицателно въздействие върху околната среда и човешкото здраве.

Не изхвърляйте електрически и електронни уреди или батерии с битовите отпадъци! Съгласно Европейската директива за отпадъците от електрическо и електронно оборудване и акумулатори и батерии и отпадъци от акумулатори и батерии и нейното адаптиране към националното законодателство, отпадъците от електрическо и електронно оборудване, батерии и акумулатори трябва да се събират отделно и да се доставят до отделен събирателен пункт за отпадъци, функциониращ съгласно наредбите за опазване на околната среда.

Това е указано чрез символ на зачертана с кръст кофа на колелца, поставен върху оборудването.

Декларации за съответствие

Само за европейските страни

Декларациите за съответствие са включени в Анекс А към тази инструкция за употреба.

ПРЕДУПРЕЖДЕНИЯ ЗА БЕЗОПАСНОСТ

Преди да използвате този конектор, прочетете всички инструкции и предупредителни маркировки, поставени върху него, акумулаторната батерия и продукта, с който се използва конекторът.

Спазвайте всички предупреждения и инструкции за безопасност. При пренебрегване на предупрежденията и инструкциите има опасност от токов удар, пожар и/или тежко нараняване.

Безопасност в работната зона

1. **Не излагайте този конектор на дъжд, сняг или мокри условия.** В противен случай в конектора може да попадне вода и да предизвика токов удар или късо съединение.
2. **Не работете с този конектор в експлозивна атмосфера, например при наличие на запалими течности, газове или прах.** Риск от експлозия или пожар.

Електрическа безопасност

1. **Използвайте USB кабел, който съответства на извода USB Type-C. Не правете промени в USB кабела.** В противен случай може да възникне неизправност.
 2. **Не свързвайте извода на късо. Дръжте извода далеч от други метални предмети, като игли или проводници, които може да създадат връзка между два извода.** Свързването на късо на изводите може да предизвика изгаряния или пожар.
 3. **Използвайте този конектор само с акумулаторните батерии, предназначени конкретно за него. Да не се използва батерия, в която са направени промени.** Използването на други акумулаторни батерии може да създаде риск от нараняване и пожар.
3. **Не съхранявайте и не използвайте този конектор на места, където температурата може да достигне или надмине 50 °C (122 °F).** Съхранявайте на сухо място, недостъпно за деца. Съществува риск от злополука.
 4. **Не докосвайте изводите с мокри ръце.** Риск от токов удар.
 5. **Не изпускате този конектор.** Риск от поява на неизправност.

ЗАПАЗЕТЕ НАСТОЯЩИТЕ ИНСТРУКЦИИ – Това ръководство съдържа важни инструкции за безопасност и работа с този конектор. Когато давате назаем този конектор, винаги предоставяйте и това ръководство за експлоатация.

Предупреждения за безопасност във връзка с радиовълните

Сервизно обслужване

1. **Сервизното обслужване на този конектор трябва да се извършва от квалифициран техник, който ползва само оригинални резервни части.** Така ще се осигури поддръжането на безопасността на продукта. **Не разглобявайте и не променяйте този конектор.** Това може да предизвика пожар, прегряване или взрив. **Ако забележите някакви аномалии в този конектор, изпратете го в оторизиран или фабричен сервизен център на Makita за инспекция и ремонт.** Ако този продукт бъде ремонтиран от лице без знания и умения за ремонт, той не само няма да работи достатъчно добре, но и ще има риск от злополука или нараняване.

Допълнителни предупреждения за безопасност

1. **Проверете за наличие на повредени части. При аномалия или неизправна работа на този конектор незабавно прекратете използването му.** Ако продължите да го използвате, може да се отдели дим/да възникне пожар, токов удар и нараняване.
<Примери за аномалии/неизправности>
 - Кабелът или изводът са необичайно горещи.
 - Има дълбоки драскотини или деформация.
 - При докосване на USB кабела проводниците може да са или да не са под напрежение.
 - Мирише на изгоряло.
 - Имате усещане, че ви е хванал ток.

Ако имате някакви проблеми, незабавно изключете източника на захранване от конектора и се свържете с оторизиран или фабричен сервизен център на Makita за инспекция и ремонт.

2. **Ако забележите някакви аномалии, като отделяне на топлина от акумулаторната батерия по време на използване, незабавно извадете и спрете да използвате акумулаторната батерия.** Продължителното използване може да причини дим, пожар или експлозия.

1. **Не използвайте този продукт в близост до електронни устройства с много прецизно управление и слаби сигнали.** (Примери за електронни устройства, които изискват повишено внимание: Слухов апарат, пейсмейкър, друго медицинско оборудване, противопожарна аларма, автоматична врата и друго оборудване за автоматично управление).
2. **Разпространението на радиовълните на този продукт не е гарантирано във всички среди. В следните случаи радиовълните може да не достигнат до приемника или да бъдат прекъснати.**
 - При използване на този продукт в сгради, където е използван бетон, арматурни пръти или метал.
 - При използване на този продукт в близост до препятствия.
 - При смущения в работата на този продукт, дължащи се на безжични комуникационни устройства, които използват същата честота.
 - При използване на този продукт в близост до оборудване, като микровълнови фурни, което генерира магнитно поле, статично електричество или радиосмущения.

СЪОТВЕТНИ ТЪРГОВСКИ МАРКИ И РЕГИСТРИРАНИ ТЪРГОВСКИ МАРКИ



- Словната марка и логата на Bluetooth® са регистрирани търговски марки, които са собственост на Bluetooth SIG, Inc., и използването им от Makita е лицензирано. Другите търговски марки и имена са на съответните притежатели.
- Android и Google Play са търговски марки или регистрирани търговски марки на Google LLC.
- iPhone е търговска марка на Apple Inc., регистрирана в САЩ и други страни.
- Търговската марка iPhone се използва под лиценз на iPhone Co., Ltd.
- App Store е марка за услуга на Apple Inc.
- Всички други търговски марки в този документ са собственост на съответните им притежатели. Имайте предвид, че маркировките ™ и © са пропуснати в някои части от основния текст.

ОПИСАНИЕ НА ЧАСТИТЕ

► Фиг.2

1. **Бутон**
2. **USB порт**
За комуникация с компютър. Не може да се използва за зареждане на USB устройства.
3. **Състояние**

Светлинен индикатор	Състояние
Не свети	Към този конектор не е свързан източник на захранване (акумулаторна батерия/USB).
Свети в зелено	Към този конектор е свързан източник на захранване.
Мига в червено	Грешка при четене/ зареждане на данни

4. **Режим**
Вижте уеб ръководството за приложения относно подробности за всеки режим.

Светлинен индикатор	Режим
Не свети	Режим на комуникация (Comm)
Свети в червено	Самостоятелен режим (батерия)
Свети в зелено	Самостоятелен режим (инструмент)

5. USB връзка

Светлинен индикатор	USB връзка
Не свети	Към този конектор не е свързано приложение за компютър.
Свети в зелено	Към този конектор е свързано приложение за компютър.
Мига в зелено (бързо)	Комуникация с приложение за компютър

6. Bluetooth връзка

Светлинен индикатор	Bluetooth връзка
Не свети	Не се генерират радиовълни.
Свети в синьо	Установена е връзка.
Мига в синьо	Генерират се радиовълни. (Не е установена връзка.)
Мига в синьо (бързо)	Комуникация с приложение за смартфон

КАКВО МОЖЕТЕ ДА ПРАВИТЕ С ADP12

За подробности относно това как да използвате приложението, вижте уеб ръководството за приложения за ADP12. (Вижте фиг.1.)

Характеристики

- **Настройка за защита от кражба (ПИН код)**
Можете да зададете ПИН код за всеки инструмент и акумулаторна батерия. Може да се работи само с комбинацията от инструмент и акумулаторна батерия със съответстващи ПИН кодове.
- **Настройка на таймера на батерията**
Може да се зададе краен час/дата за акумулаторните батерии съгласно графика за строителството, така че акумулаторните батерии да не могат да се използват след завършване на строителството.
- **Сервизна помощ**
 - **Проверка на инструмента**
Може да се покаже състоянието и хронологията на работата на инструмента.
 - **Проверка на батерията**
Може да се покаже състоянието и хронологията на работата на батерията.
 - **Записи в бележник**
Можете да записвате знаци в инструмента и акумулаторната батерия (броят на знаците, които могат да бъдат записани, зависи от модела). Използва се за управление на инструменти и хронологията на техническата поддръжка.

ЗАБЕЛЕЖКА: Някои характеристики не са налични в зависимост от инструмента.

ЗАБЕЛЕЖКА: При проверката на инструмента дори при чисто нов инструмент може да се покаже броят на записите в хронологията на работата поради проверките, направени в завода, и т.н.

ПРЕДИ УПОТРЕБА

Инсталиране на приложението

- Приложението е безплатно, но при изтегляне може да бъде начислена отделна такса за изтеглянето му.
- Приложението е предназначено само за продукти Makita.
- Използвайте приложението, след като приемете условията за използване на най-новата му версия. При първото стартиране или инсталиране на приложението ще се покаже екранът с условията за използване.
- Екранът на приложението може да бъде променен или да стане недостъпен без предизвестие поради бъдещи актуализации.

За смартфони/таблети

Предварителна подготовка

За използване на приложението е необходим смартфон/таблет (iOS или Android).

- iOS (iPhone): изисква се iOS 13 или по-нова версия.
- Android: изисква се Android 9,0 или по-нова версия.
С някои изключения устройствата с Android трябва да позволяват за Bluetooth връзки да се използва информацията за местоположението.

Инсталиране на приложението

1. Потърсете „Makita Tool Management“ (Управление на инструменти Makita) в App Store или Google Play.
Можете да получите достъп и с помощта на QR кода на следващата фигура.

Сайт за изтегляне на приложения за смартфон

► Фиг.3

2. Инсталирайте приложението. На началния екран ще бъде създадена икона „Makita Tool Management“ (Управление на инструменти Makita).

За компютри

Системни изисквания

Компютърът трябва да отговаря на следните изисквания за използване на приложението.

- ОС: Windows 10 или Windows 11

Инсталиране на приложението

1. Посетете URL адреса, показан на илюстрацията.

Сайт за изтегляне на приложения за компютър

► Фиг.4

2. Изтеглете „MakitaToolManagementSetup_EN_v1020.exe“ и инсталирайте приложението.

Свързване на компютъра

Преди да стартирате приложението, свържете този конектор към компютъра.

► Фиг.5

БЕЛЕЖКА: Не изключвайте USB кабела, докато мига светлинният индикатор за USB свързване на този конектор.

Монтиране на акумулаторната батерия/инструмента

Допълнителни аксесоари

Преди да стартирате приложението, монтирайте акумулаторната батерия и инструмента към този конектор.

Поставяне и изваждане на акумулаторната батерия

⚠ВНИМАНИЕ: Винаги поставяйте акумулаторната батерия докрай, така че червеният индикатор да не се вижда. В противен случай тя може да изпадне случайно от този конектор, да ви нарани или да нарани някого около вас.

⚠ВНИМАНИЕ: Внимавайте да не прищипете пръстите си между акумулаторната батерия и изводите.

БЕЛЕЖКА: Зареждайте акумулаторната батерия преди употреба. Ако акумулаторната батерия няма оставащ капацитет, тя не може да се използва.

БЕЛЕЖКА: Когато изваждате акумулаторната батерия, уверете се, че монтираният инструмент е напълно спрял и няма комуникация с приложението. В противен случай може да възникне неизправност.

За да поставите акумулаторната батерия, изравнете езичето ѝ с жлеба в корпуса и я плъзнете на мястото ѝ. Придвижвайте я по протежението на жлеба, докато не се намести с леко щракване. В случай че виждате червения индикатор, както е показано на фигурата, тя не е фиксирана напълно на мястото си. За да извадите акумулаторната батерия, плъзнете я извън този конектор, като едновременно с това плъзгате бутона в предната ѝ част.

- Фиг.6: 1. Червен индикатор 2. Бутон
3. Акумулаторна батерия

Монтиране и демонтиране на инструмент

⚠ ВНИМАНИЕ: Не поставяйте пръста си върху превключвателя на инструмента. В противен случай може да се получи неволно стартиране и нараняване.

БЕЛЕЖКА: Когато монтирате или демонтирате инструмента, уверете се, че той е напълно спрял. В противен случай може да възникне неизправност.

БЕЛЕЖКА: Когато демонтирате инструмента, уверете се, че няма комуникация с приложението. В противен случай може да възникне неизправност.

ЗАБЕЛЕЖКА: Инструментът не работи, когато е прикачен към този конектор.

За да монтирате инструмента, подравнете езичето на този конектор с жлеба в корпуса и го плъзнете на мястото му. Придвижвайте го по протежението на жлеба, докато не се намести с леко щракване.

За да демонтирате инструмента, плъзнете го извън този конектор, като едновременно с това плъзгате бутона в предната му част.

► Фиг.7

ОТСТРАНЯВАНЕ НА НЕИЗПРАВНОСТИ

Преди да предприемете ремонт, проверете следните точки.

Състояние на неизправност	Възможно причина (неизправност)	Мерки за отстраняване
Конекторът не може да се включи. Лампата за състоянието не свети.	Когато оставащият капацитет на акумулаторната батерия е нисък.	Заредете акумулаторната батерия.
	Акумулаторната батерия е поставена неправилно.	Извадете акумулаторната батерия. Поставете отново акумулаторната батерия, както е описано в настоящото ръководство.
Светлинният индикатор за състоянието мига в червено.	Инструментът е монтиран неправилно.	Извадете инструмента. Поставете отново инструмента, както е описано в настоящото ръководство.
	Акумулаторната батерия е поставена неправилно.	Извадете акумулаторната батерия. Поставете отново акумулаторната батерия, както е описано в настоящото ръководство.

Състояние на неизправност	Възможно причина (неизправност)	Мерки за отстраняване
Конекторът не може да установи връзка със смартфона/таблета.	Сигналят е слаб.	Поставете смартфона/таблета по-близо до конектора.
	Bluetooth връзката на смартфона/таблета е деактивирана.	Активирайте Bluetooth връзката на смартфона/таблета.
USB връзката с компютъра не работи.	USB кабелът не е включен правилно.	Уверете се, че USB кабелът е включен стабилно в USB порта.
	Кабелът е прекъснат.	Използвайте друг USB кабел.
	USB кабелът не съответства на спецификацията.	Използвайте USB кабела, който е посочен в това ръководство. Вижте раздела за спецификации.

Ако проблемът не може да бъде решен дори след предприемането на горните мерки, конекторът може да е дефектен. Свържете се с оторизираните сервизни центрове на Makita.

ПОДДРЪЖКА

⚠ ВНИМАНИЕ: Преди да проверявате или извършвате поддръжка на инструмента, се уверете, че той е изключен и акумулаторната батерия е извадена.

БЕЛЕЖКА: Не мийте конектора с вода. Риск от поява на неизправност.

БЕЛЕЖКА: Периодично избърсвайте външната страна на този конектор с кърпа, навлажнена със сапунена вода.

БЕЛЕЖКА: Не използвайте бензин, нафта, разреждател, спирт и др. подобни. Това може да причини обезцветяване, деформация или пукнатини.

За да се поддържа БЕЗОПАСНОСТТА и НАДЕЖНОСТТА на продукта, ремонтите, поддръжката или регулирането трябва да се извършват от упълномощен сервиз или фабрични сервизни центрове на Makita, като винаги трябва да използвате резервни части от Makita.

SPECIFIKACIJE

Model:		ADP12
Odgovarajući baterijski uložak		BL4020 / BL4025 / BL4040 / BL4050F / BL4080F
Dimenzije (D x Š x V) (bez baterije i alata)		98 mm x 85 mm x 55 mm
Neto težina (bez baterije i alata)		0,17 kg
Bluetooth	Verzija tehnologije Bluetooth®	5,1 (niskoenergetska Bluetooth tehnologija)
	Raspon prijenosa	Približno 10 m
	Frekvencijski pojas	2.402 MHz – 2.480 MHz
	Maksimalna radiofrekvencijska snaga	0,11 dBm (EIRP)

- Zahvaljujući našem stalnom programu razvoja i istraživanja, navedene specifikacije podložne su promjenama bez obavijesti.
- Specifikacije mogu biti različite ovisno o zemlji.
- Neki od gore navedenih baterijskih uložaka možda neće biti dostupni ovisno o regiji u kojoj se nalazite.

Odgovarajući USB kabel

Upotrijebite USB kabel koji odgovara priključku USB tipa C.

Preporučujemo oklopljeni USB kabel koji je odobrio USB-IF, najveće duljine oko 1,8 m.

Primjenjivi izvor napajanja spojen kabelom

Je li izvor napajanja spojen kabelom primjenjiv ili ne ovisi o alatu s kojim će se koristiti. Pogledajte specifikacije alata.

Obavijest o nekompatibilnim alatima

Neki alati nisu kompatibilni s ovim priključkom. Pogledajte priručnik na webu na slici za određene brojeve modela.

Priručnik na webu za aplikaciju za ADP12

► SI.1

Simboli

U nastavku su prikazani simboli koji se upotrebljavaju za opremu. Prije korištenja provjerite jeste li razumjeli njihovo značenje.



Pročitajte priručnik s uputama.



Samo za upotrebu u zatvorenom prostoru.



Ni-MH
Li-ion

Samo za države EU
Zbog prisutnosti opasnih komponenti u opremi, otpadna električna i elektronička oprema, akumulatori i baterije i mogu imati negativan učinak na okoliš i ljudsko zdravlje.

Nemojte odlagati električne i elektroničke uređaje ili baterije s ostalim kućanskim otpadom!

U skladu s Europskom direktivom o otpadnoj električnoj i elektroničkoj opremi, o akumulatorima i baterijama te o otpadnim akumulatorima i baterijama, i njenoj prilagodbi nacionalnim zakonima, otpadna električna oprema, baterije i akumulatori trebali bi se pohranjivati zasebno i isporučivati u odvojena sabirna mjesta za komunalni otpad, koja postupaju u skladu s uredbama o zaštiti okoliša.

To je naznačeno simbolom prekrížene kante za otpad na kotačima koja je postavljena na opremi.

Izjave o sukladnosti

Samo za države članice Europske unije

Izjave o sukladnosti priložene su kao Prilog A ovih uputa za upotrebu.

SIGURNOSNA UPOZORENJA

Prije upotrebe ovog priključka pročitajte sve upute i oznake upozorenja na ovom priključku, baterijskom ulošku i proizvodu koji upotrebljava ovaj priključak. Slijedite sva sigurnosna upozorenja i upute. Nepridržavanje upozorenja ili uputa može rezultirati strujnim udarom, požarom i/ili ozbiljnim ozljedama.

Sigurnost radnog područja

1. **Ne izlažite ovaj priključak kiši, snijegu ili vlazi.** U protivnom, u priključak može dospjeti voda i prouzročiti strujni udar ili kratki spoj.
2. **Nemojte rukovati ovim priključkom u eksplozivnoj atmosferi, npr. u blizini zapaljivih tekućina, plinova ili prašine.** Opasnost od eksplozije ili požara.

Električna sigurnost

1. **Upotrijebite USB kabel koji odgovara priključku USB tipa C. Nemojte preinačiti USB kabel.** U suprotnom može doći do kvara.
2. **Nemojte kratko spajati priključak. Priključak držite podalje od drugih metalnih predmeta, kao što su igle ili žice, koje mogu stvoriti spoj od jednog priključka do drugog.** Kratki spoj na priključcima može prouzročiti opekline ili požar.
3. **Priključak upotrebljavajte isključivo s namjenom i propisanom vrstom baterija. Ne koristite preinačenu bateriju.** Upotreba bilo kojeg drugog baterijskog uložka može izazvati rizik od ozljeda i požara.

Servisiranje

1. **Priključak smije servisirati samo kvalificirana osoba, koristeći samo identične zamjenske dijelove.** Na taj se način održava sigurnost ovog priključka.
Nemojte rastavljati ili mijenjati ovaj priključak. To može dovesti do požara, pretjeranog zagrijavanja ili eksplozije.
Primijetite li bilo kakvu nepravilnost na ovom priključku, pošaljite ga na pregled i popravak u ovlaštenu ili tvornički servisni centar društva Makita.
Ako osoba bez potrebnih znanja i vještina za popravak popravi ovaj proizvod, ne samo što će nedostatno raditi, nego postoji i opasnost od nesreće ili ozljede.

Dodatna sigurnosna upozorenja

1. **Pregledajte ima li oštećenih dijelova. Ako dođe do bilo kakve nepravilnosti ili kvara, odmah prestanite upotrebljavati ovaj priključak.** Ako ga nastavite upotrebljavati, može doći do nastanka dima/požara, strujnog udara ili ozljede.
<Primjeri nepravilnosti/kvarova>
 - Kabel ili priključak neuobičajeno su vrući.
 - Postoje duboke brazgotine ili izobličenja.
 - Prilikom dodirivanja USB kabela vodiči možda jesu ili nisu pod naponom.
 - Osjeti se miris paljevine.
 - Osjeti se protok struje.**Osjetite li bilo kakvu nepriliku, odmah isključite izvor napajanja iz priključka i obratite se ovlaštenom ili tvorničkom servisnom centru društva Makita radi pregleda i popravka.**
2. **Uočite li nepravilnosti kao što su stvaranje topline u baterijskom uložku tijekom upotrebe, odmah izvadite i prestanite upotrebljavati baterijski uložak.** Nastavak upotrebe može prouzročiti nastanak dima, požar ili eksploziju.

3. **Ne držite i ne upotrebljavajte ovaj priključak na mjestima gdje temperatura može doseći ili premašiti 50 °C (122 °F).** Čuvajte na suhom mjestu i izvan dohvata djece. Postoji opasnost od nesreće.
4. **Ne dodirujte priključak mokrim rukama.** Postoji opasnost od strujnog udara.
5. **Ne ispuštajte ovaj priključak.** Postoji opasnost od kvara.

SPREMITE OVE UPUTE – u ovom priručniku nalaze se važne sigurnosne upute i upute za rad za ovaj priključak. Kada posuđujete ovaj priključak, uvijek priložite i ovaj priručnik s uputama.

Sigurnosna upozorenja za radijske valove

1. **Ne upotrebljavajte ovaj proizvod blizu električnih uređaja s visoko preciznim kontrolama i slabim signalima. (Primjeri električnih uređaja koji iziskuju oprez: slušni aparat, srčani stimulator, ostala medicinska oprema, požarni alarm, automatska vrata i ostala oprema s automatskim upravljanjem).**
2. Radijski val ovog proizvod nije zajamčen u svim okruženjima. U sljedećim slučajevima, radijski val možda neće prodrijeti ili će se prekinuti.
 - Kad se ovaj proizvod upotrebljava u zgradama u kojima se koristi beton, armatura ili metal.
 - Kad se ovaj proizvod upotrebljava blizu prepreka.
 - Kad ovaj proizvod ometaju bežični komunikacijski uređaji koji se služe istom frekvencijom.
 - Kad se ovaj proizvod upotrebljava blizu opreme kao što su mikrovalne pećnice koja stvara magnetsko polje, statički elektricitet ili radijske smetnje.

ODGOVARAJUĆI ŽIGOVI I REGISTRIRANI ŽIGOVI



- Verbalni žig i logotipi Bluetooth® registrirani su žigovi u vlasništvu društva Bluetooth SIG, Inc., a društvo Makita navedene žigove upotrebljava u skladu s licencom. Ostali žigovi i trgovački nazivi u vlasništvu su svojih odgovarajućih vlasnika.
- Android i Google Play žigovi su ili registrirani žigovi društva Google LLC.
- iPhone je žig društva Apple Inc., registriran u SAD-u i drugim zemljama.
- Žig iPhone upotrebljava se u skladu s licencom dobivenom od društva Aiphone Co., Ltd.
- App Store je uslužni žig društva Apple Inc.
- Svi ostali žigovi u ovom dokumentu u vlasništvu su svojih odgovarajućih vlasnika. Imajte na umu da su znakovi ™ i ® izostavljeni u nekim dijelovima glavnog teksta.

OPIS DIJELOVA

► Sl.2

- Gumb**
- USB ulaz**
Za komunikaciju s računalom. Ne može se upotrebljavati za punjenje USB uređaja.
- Status**

Žaruljica	Status
Isključeno	Izvor napajanja (baterijski uložak/USB) nije priključen na ovaj priključak.
Svijetli zeleno	Izvor napajanja priključen je na ovaj priključak.
Treperi crveno	Pogreška u čitanju/učitavanju podataka

- Način rada**
Pogledajte priručnik na webu za aplikaciju za pojedinih svakog načina rada.

Žaruljica	Način rada
Isključeno	Komunikacijski (Comm) način rada
Svijetli crveno	Samostalni način rada (baterija)
Svijetli zeleno	Samostalni način rada (alat)

5. USB veza

Žaruljica	USB veza
Isključeno	Računalna aplikacija nije priključena na ovaj priključak.
Svijetli zeleno	Računalna aplikacija priključena je na ovaj priključak.
Treperi zeleno (brzo)	Komuniciranje s računalnom aplikacijom

6. Bluetooth veza

Žaruljica	Bluetooth veza
Isključeno	Ne proizvodi se radijski val.
Svijetli plavo	Veza je uspostavljena.
Treperi plavo	Proizvodi se radijski val. (Veza nije uspostavljena.)
Treperi plavo (brzo)	Komuniciranje s aplikacijom za pametni telefon

ŠTO MOŽETE RADITI S UREĐAJEM ADP12

Za pojedinih o upotrebi aplikacije pogledajte priručnik na webu za aplikaciju za ADP12. (Pogledajte sl.1.)

Značajke

- Postavka protiv krađe (PIN)**
Možete postaviti PIN za svaki alat i baterijski uložak. Moguće je rad samo s kombinacijom alata i baterijskog uložka s podudarnim PIN-ovima.
- Postavka brojača vremena za bateriju**
Vrijeme/datum isteka može se postaviti za baterijske uloške u skladu s rasporedom izgradnje tako da ulošci ne budu upotrebljivi nakon dovršetka izgradnje.
- Servisna pomoć**
 - Provjeritelj alata**
Mogu se prikazati status i povijest rada alata.
 - Provjeritelj baterije**
Mogu se prikazati status i povijest rada baterije.
 - Registracija bloka za bilješke**
Možete registrirati znakove u alatu i baterijskom ulošku (broj znakova koji se mogu registrirati ovisi o modelu). Upotrebljavaju se za upravljanje alatom i povijest održavanja.

NAPOMENA: Neke značajke nisu dostupno ovisno o alatu.

NAPOMENA: U provjeritelju alata broj povijesti rada može se prikazati čak i kod sasvim novog alata zbog tvorničkih pregleda i sl.

PRIJE UPOTREBE

Instaliranje aplikacije

- Aplikacija je besplatna, no prilikom preuzimanja može se naplatiti zasebna komunikacijska naknada.
- Aplikacija je isključivo za proizvode Makita.
- Upotrebljavajte aplikaciju nakon pristanka na najnoviju inačicu uvjeta korištenja aplikacije. Kod prvog ili pokretanja ili pri instaliranju aplikacije prikazat će se zaslon s uvjetima korištenja.
- Zaslon aplikacije može se promijeniti ili postati nedostupan bez obavijesti zbog budućih ažuriranja.

Za pametne telefone/tablete

Priprema unaprijed

Pametni telefon/tablet (iOS ili Android) potreban je za upotrebu aplikacije.

- iOS (iPhone): potreban je iOS 13 ili noviji.
- Android: Potreban je Android verzije 9,0 ili noviji. Uz neke iznimke, uređaji sa sustavom Android moraju dopustiti upotrebu podataka o lokaciji za Bluetooth veze.

Instaliranje aplikacije

1. Potražite „Makita Tool Management” u trgovini App Store ili Google Play.
Možete pristupiti i putem QR-koda na sljedećoj slici.

Web-mjesto za preuzimanje aplikacije za pametni telefon

► Sl.3

2. Instalirajte aplikaciju. Ikona „Makita Tool Management” stvorit će se na početnom zaslonu.

Za računala

Sistemske preduvjete

Za upotrebu aplikaciju računalo mora zadovoljiti sljedeće preduvjete.

- OS: Windows 10 ili Windows 11

Instaliranje aplikacije

1. Pristupite URL-u prikazanom na sljedećoj slici.

Web-mjesto za preuzimanje aplikacije za računalo

► Sl.4

2. Preuzmite „MakitaToolManagementSetup_EN_v1020.exe” i instalirajte aplikaciju.

Priključivanje računala

Prije pokretanja aplikacije priključite ovaj priključak na računalo.

► Sl.5

NAPOMENA: Nemojte izvaditi USB kabel dok žaruljica USB veze ovog priključka treperi.

Umetanje baterijskog uložka/alata

Dodatni pribor

Prije pokretanja aplikacije umetnite baterijski uložak i alat u ovaj priključak.

Umetanje ili uklanjanje baterijskog uložka

▲ OPREZ: Baterijski uložak uvijek umetnite do kraja tako da se ne može vidjeti crvena oznaka. U protivnom može slučajno ispasti iz ovog priključka, što može dovesti do ozljede vas ili nekoga u blizini.

▲ OPREZ: Pazite da ne priklješćite prste između baterijskog uložka i priključaka.

NAPOMENA: Napunite baterijski uložak prije upotrebe. Baterijski uložak koji nema preostalog kapaciteta ne može se upotrijebiti.

NAPOMENA: Prilikom uklanjanja baterijskog uložka pobrinite se da je postavljeni alat potpuno zaustavljen i da nema komunikacije s aplikacijom. U suprotnom može doći do kvara.

Za umetanje baterijskog uložka poravnajte jezičac na baterijskom ulošku s utorom na kućištu i gurnite ga na mjesto. Umetnite bateriju skroz do kraja dok ne sjedne na svoje mjesto uz mali klik. Ako možete vidjeti crvenu oznaku kao što je prikazano na slici, ona nije do kraja sjela na svoje mjesto. Baterijski uložak uklonite tako da ga klizno pomaknete iz ovog priključka dok klizno pomičete gumb na prednjoj strani uložka.

► Sl.6: 1. Crvena oznaka 2. Gumb 3. Baterija

Postavljanje ili uklanjanje alata

▲ OPREZ: Nemojte stavljati prst na prekidač alata. U protivnom može doći do nehotičnog pokretanja i izazivanja ozljede.

NAPOMENA: Prilikom postavljanja ili uklanjanja alata pobrinite se da je postavljeni alat potpuno zaustavljen. U suprotnom može doći do kvara.

NAPOMENA: Prilikom uklanjanja alata pobrinite se da nema komunikacije s aplikacijom. U suprotnom može doći do kvara.

NAPOMENA: Alat se ne pokreće dok je priključen ovaj priključak.

Za umetanje alata poravnajte jezičac na ovom priključku s utorom na kućištu i gurnite ga na mjesto. Umetnite bateriju skroz do kraja dok ne sjedne na svoje mjesto uz mali klik. Alat uklonite tako da ga klizno pomaknete iz ovog priključka dok klizno pomičete gumb na prednjoj strani ovog priključka.

► Sl.7

RJEŠAVANJE PROBLEMA

Prije nego što uređaj odnesete na popravak, provjerite sljedeće.

Stanje nepravilnosti	Mogući uzroci (kvar)	Otklanjanje problema
Priključak se ne može uključiti. Statusna žaruljica ne svijetli.	Kada je preostali kapacitet baterijskog uložka nizak.	Napunite baterijski uložak.
	Baterijski uložak nepravilno je umetnut.	Jednom izvadite baterijski uložak. Ponovno postavite baterijski uložak kako je opisano u ovom priručniku.
Statusna žaruljica treperi crveno.	Alat je neispravno postavljen.	Jednom uklonite alat. Ponovno postavite alat kako je opisano u ovom priručniku.
	Baterijski uložak nepravilno je umetnut.	Jednom izvadite baterijski uložak. Ponovno postavite baterijski uložak kako je opisano u ovom priručniku.
Priključak ne može uspostaviti vezu s pametnim telefonom/tabletom.	Signal je slab.	Približite pametni telefon/tablet priključku.
	Bluetooth veza pametnog telefona/tableta onemogućena je.	Aktivirajte Bluetooth vezu pametnog telefona/tableta.
USB veza s računalom ne radi.	USB kabel nije ispravno priključen.	Pobrinite se da je USB čvrsto priključen u USB ulaz.
	Kabel je slomljen.	Upotrijebite drugi USB kabel.
	USB kabel nije u skladu sa specifikacijama.	Upotrijebite USB kabel koji je naveden u ovom priručniku. Pogledajte odjeljak sa specifikacijama.

Ako se problem ne može riješiti ni nakon poduzimanja gore navedenih mjera, priključak je možda neispravan. Obratite se ovlaštenim servisnim centrima društva Makita.

ODRŽAVANJE

⚠ OPREZ: Prije svih zahvata na stroju provjerite jeste li isključili stroj i uklonili bateriju.

NAPOMENA: Priključak ne perite vodom. Postoji opasnost od kvara.

NAPOMENA: S vremena na vrijeme obrišite vanjski dio priključka s pomoću tkanine navlažene u vodi sa sapunom.

NAPOMENA: Nikada nemojte koristiti benzin, mješavinu benzina, razrjeđivač, alkohol ili slično. Kao rezultat toga može se izgubiti boja, pojaviti deformacija ili pukotine.

Da biste zadržali SIGURNOST I POUZDANOST proizvoda, održavanje ili namještanja trebali biste prepustiti ovlaštenim servisnim ili tvorničkim centrima tvrtke Makita; uvijek rabite originalne rezervne dijelove.

СПЕЦИФИКАЦИИ

Модел:		ADP12
Применлива касета за батерија		BL4020 / BL4025 / BL4040 / BL4050F / BL4080F
Димензии (Д x Ш x В) (без батеријата и алатот)		98 мм x 85 мм x 55 мм
Нето тежина (без батеријата и алатот)		0,17 кг
Bluetooth	Верзија на Bluetooth®	5,1 (слаба енергија на Bluetooth)
	Опсег на пренос	Приближно 10 м
	Фреквенциски појас	2.402 MHz - 2.480 MHz
	Максимална радиофреквенциска моќ	0,11 dBm (EIRP)

- Поради нашата континуирана програма за истражување и развој, спецификациите тука подлежат на промена без најава.
- Спецификациите може да се разликуваат од држава до држава.
- Некои од касетите за батерии наведени погоре може да не се достапни зависно од регионот во кој живеете.

Применлив USB-кабел

Користете USB-кабел што одговара на приклучок USB Type-C.

Препорачуваме USB-кабел со заштита, одобрување USB-IF и должина до приближно 1,8 м.

Применлив извор на енергија поврзан со кабел

Дали изворот на енергија поврзан со кабел е применлив или не, зависи од алатот со којшто ќе се користи. Видете во спецификациите на алатот.

Известување за некомпатибилни алати

Некои алати не се компатибилни со овој конектор. За специфичните броеви на моделот, видете во веб-упатството во сликата.

Веб-упатство за апликацијата за ADP12

► Сл.1

Симболи

Долунаведените ги прикажуваат симболите што може да се користат кај опремата. Пред употребата, проверете дали го разбирате нивното значење.



Прочитајте го упатството за користење.



Само за употреба во затворен простор.



Само за земјите на ЕУ
Поради присуство на опасни компоненти во опремата, отпадната електрична и електронска опрема, акумулаторите и батериите може да влијаат негативно врз животната средина и човековото здравје. Не фрлајте ги електричните и електронските апарати или батериите во домашниот отпад! Во согласност со Европската директива за фрлање електрична и електронска опрема, акумулатори, батерии и отпадни акумулатори и батерии, како и нивната адаптација во државниот закон, отпадната електрична опрема, батериите и акумулаторите треба да се чуваат одделно и да се достават на посебно место за собирање општински отпад, во согласност со прописите за заштита на животната средина. Ова е означено со симболот на пречкртана корпа за отпадоци ставен на опремата.



Ni-MH
Li-ion

Декларации за сообразност

Само за земјите во Европа

Декларациите за сообразност се вклучени во Додаток А од ова упатство за употреба.

БЕЗБЕДНОСНИ ПРЕДУПРЕДУВАЊА

Пред користење на овој конектор, прочитајте ги сите упатства и ознаки за претпазливост на конекторот, касетата за батерија и на производот што го користи овој конектор.

Следете ги сите безбедносни предупредувања и упатствата, може да дојде до струен удар, пожар и/или тешки повреди.

Безбедност на работната област

1. Не изложувајте го овој конектор на дожд, снег или влажни услови. Во спротивно, во конекторот може да навлезе вода и да предизвика струен удар или краток спој.
2. Не работете со овој конектор во околини каде постои опасност од експлозија, како на пример во присуство на запаливи течности, гасови или прашина. Опасност од експлозија или пожар.

Електрична безбедност

1. Користете USB-кабел што одговара на приклучок USB Type-C. Не именувајте го USB-кабелот. Во спротивно, може да дојде до дефект.
2. Не предизвикувајте спој на терминалите. Чувајте го терминалот подалеку од метални предмети, како што се игли или жици, коишто може да остварат поврзување од еден терминал до друг. Краткиот спој на терминалите може да доведе до изгореници или пожар.
3. Користете го овој конектор само со конкретно наменитите батерии. Не користете модифицирана батерија. Користењето други батерии може да создаде опасност од повреда или пожар.

Сервисирање

1. Овој конектор треба да се сервисира од страна на квалификувано лице за поправка, кое користи единствено идентични резервни делови. Ова ќе овозможи да се одржи безбедноста на овој конектор. Не расклопувајте, ниту експериментирајте со овој конектор. Тоа може да резултира со пожар, прекумерна топлина или експлозија. Ако забележите каква било абнормалност во овој конектор, пратете го за проверка и поправка во овластени или фабрички сервисни центри на Makita. Ако лице без соодветното знаење и вештини за поправка врши поправки на овој производ, не само што производот нема да функционира соодветно, туку постои и опасност од несреќа или повреда.

Дополнителни безбедносни предупредувања

1. Проверка за оштетени делови. Доколку се откријат какви било абнормалности или настане каков било дефект, веднаш престанете со користење на овој конектор. Ако продолжите да го користите, може да настане чад/пожар, струен удар и повреда. <Примери за абнормалности/дефекти>
 - Кабелот или терминалот се абнормално жешки.
 - Постојат длабоки гребнатини или деформирање.
 - При допир на USB-кабелот, спроводниците може или не мора да бидат под напон.
 - Мириса на изгорено.
 - Постои чувство на електрична енергија.

Ако забележите каква било абнормалност во овој конектор, веднаш исклучете го изворот на напојување од конекторот и контактирајте овластен или фабрички сервисен центар на Makita за проверка и поправка.

2. Ако при користењето забележите какви било абнормалности, како што е создавање топлина од касетата за батерија, веднаш отстранете ја и прекинете со користење на касетата за батерија. Продолженото користење може да предизвика чад, пожар или експлозија.
3. Не складирајте и не користете го овој конектор на места каде што температурата може да достигне или надминува 50 °C (122 °F). Складирајте на суво место и надвор од дофат на деца. Постои опасност од несреќа.
4. Не допирајте ги терминалите со влажни раце. Опасност од струен удар.
5. Не испуштајте го овој конектор. Опасност од дефект.

ЧУВАЈТЕ ГИ ОВИЕ УПАТСТВА – Ова упатство содржи важни упатства за безбедноста и за работата на овој конектор.

Кога го позајмувате овој конектор, секогаш приложувајте го ова упатство за употреба.

Безбедносни предупредувања за радиобранови

1. Не користете го овој производ во близина на електронски уреди за контрола со висока прецизност и слаби сигнали. (Примери за електронски уреди за кои е потребно внимание: помагало за слушање, пејсмејкер, друга медицинска опрема, противпожарен аларм, автоматска врата и друга автоматски контролирана опрема).
2. Радиобранот на овој производ не е загарантиран во сите околини. Радиобранот може да не достигне или да биде прекинат во следниве случаи.
 - Кога овој производ се користи во објекти каде е употребен бетон, арматура или метал.
 - Кога овој производ се користи во близина на пречки.
 - Кога овој производ добива пречки од уреди за безжична комуникација што ја користат истата фреквенција.
 - Кога овој производ се користи во близина на опрема, како што е микробранова печка, која создава магнетно поле, статички електрицитет или радиопречки.

СООДВЕТНИ ТРГОВСКИ МАРКИ И РЕГИСТРИРАНИ ТРГОВСКИ МАРКИ



- Ознаката и логото на зборот Bluetooth® се регистрирани трговски марки во сопственост на Bluetooth SIG, Inc. и Makita ги употребува таквите ознаки според лиценца. Другите трговски марки и трговски имиња се оние на нивните соодветни сопственици.
 - Android и Google Play се трговски марки или регистрирани трговски марки на Google LLC.
 - iPhone е трговска марка на Apple Inc., регистрирана во САД и други држави.
 - Трговската марката iPhone се користи според лиценца од Aiphone Co., Ltd.
 - App Store е сервисна марка на Apple Inc.
 - Сите други трговски марки во овој документ се во сопственост на нивните соодветни сопственици.
- Имајте предвид дека ознаките ™ и © недостасуваат во делови од главниот текст.

ОПИС НА ДЕЛОВИТЕ

► Сл.2

1. **Копче**
2. **USB-порта**
За комуникација со компјутер. Не може да се користи за полнење USB-уреди.
3. **Статус**

Ламбичка	Статус
Исклучено	Со овој конектор не е поврзан извор на напојување (касета за батерија/USB).
Свети со зелена боја	Со овој конектор е поврзан извор на напојување.
Трепка со црвена боја	Читање податоци/ грешка при вчитување

4. **Режим**
За детали за секој режим, видете во веб-упатството за апликацијата.

Ламбичка	Режим
Исклучено	Режим на комуникација (Comm)
Свети со црвена боја	Самостоен режим (батерија)
Свети со зелена боја	Самостоен режим (алат)

5. USB-поврзување

Ламбичка	USB-поврзување
Исклучено	Со овој конектор не е поврзана апликацијата за компјутер.
Свети со зелена боја	Со овој конектор е поврзана апликацијата за компјутер.
Трепка (брзо) во зелена боја	Комуникација со апликацијата за компјутер

6. Поврзување преку Bluetooth

Ламбичка	Поврзување преку Bluetooth
Исклучено	Не се создава радиобран.
Свети со сина боја	Поврзувањето е воспоставено.
Трепка со сина боја	Се создава радиобран. (Поврзувањето не е воспоставено.)
Трепка (брзо) со сина боја	Комуникација со апликацијата за паметен телефон

ШТО МОЖЕ ДА НАПРАВИТЕ СО ADP12

За детали за како да ја користите апликацијата, видете во веб-упатството за апликацијата за ADP12. (видете сл.1.)

Функции

- **Поставка против кражба (PIN-код)**
Може да поставите PIN-код за секој алат и касета за батерија. Може да се ракуваат само комбинацијата од алатот и касетата за батеријата со усогласени PIN броеви.
- **Поставка за тајмер за батеријата**
Може да се постави време/датум на траење за касетата за батерија, според распоредот на градежните работи, така што касетите да не може да се користат откако ќе завршат градежните работи.
- **Сервисна помош**
 - **Проверка на алат**
Може да се прикажат статусот на алатот и историјата на работење.
 - **Проверка на батеријата**
Може да се прикажат статусот на батеријата и историјата на работење.
 - **Регистрација на бележник**
Може да регистрирате знаци во алатот и касетата за батеријата (бројот на знаци што може да се регистрираат зависи од моделот). Се користи за управување со алатот и историја на одржување.

НАПОМЕНА: Во зависност од алатот, некои функции не се достапни.

НАПОМЕНА: Во проверка на алат, бројот на историјата на работење може да се прикаже дури и кај нов алат, поради проверки во фабриката, итн.

ПРЕД УПОТРЕБА

Инсталирање на апликацијата

- Апликацијата е бесплатна, но при преземањето може да се наплати посебен надоместок за комуникацијата.
- Апликацијата е исклучиво за производи од Makita.
- Користете ја апликацијата откако ќе се согласите со условите за користење на најновата верзија од апликацијата. При првото вклучување или инсталирање на апликацијата, ќе се прикаже екранот со условите за користење.
- Екранот на апликацијата може да се промени или да биде недостапен без претходно известување при идните ажурирања.

За паметни телефони/таблети

Претходна подготовка

За да се користи апликацијата, потребен е паметен телефон/таблет (iOS или Android).

- iOS (iPhone): потребен е iOS 13 или понова верзија.
 - Android: потребен е Android верзија 9,0 или понова.
- При некои исклучоци, уредите со Android треба да ја дозволат употребата на информациите за локација за поврзувања преку Bluetooth.

Инсталирање на апликацијата

1. На App Store или Google Play, пребарajte „Makita Tool Management“.
Може да пристапите и преку QR-кодот во следнава слика.

Место за преземање на апликацијата за паметен телефон

► Сл.3

2. Инсталирајте ја апликацијата. На почетниот екран ќе се создаде икона „Makita Tool Management“.

За компјутери

Услови за систем

За да се користи апликацијата, компјутерот мора да ги исполнува следниве услови.

- Оперативен систем: Windows 10 или Windows 11

Инсталирање на апликацијата

1. Пристапете до URL-адресата прикажана на следнава сликата.

Место за преземање на апликацијата за компјутер

► Сл.4

2. Преземете ја „MakitaToolManagementSetup_EN_v1020.exe“ и инсталирајте ја апликацијата.

Поврзување со компјутер

Пред да ја вклучите апликацијата, поврзете го овој конектор со компјутерот.

► Сл.5

ЗАБЕЛЕШКА: Не исклучувајте го USB-кабелот додека трепка ламбичката за USB-поврзување на овој конектор.

Монтирање на касетата за батеријата/алатот

Опционален прибор

Пред да ја вклучите апликацијата, монтирајте ја касетата за батеријата и алатот со овој конектор.

Монтирање или отстранување на касетата за батеријата

▲ВНИМАНИЕ: Секогаш монтирајте ја касетата за батерија целосно додека црвениот индикатор не се изгасне. Во спротивно, може ненадејно да испадне од конекторот, предизвикувајќи ви повреда вам или на некогу околу вас.

▲ВНИМАНИЕ: Внимавајте да не ги потфатите прстите помеѓу касетата за батеријата и терминалите.

ЗАБЕЛЕШКА: Наполнете ја касетата за батеријата пред користење. Касета за батерија што нема преостанат капацитет не може да се користи.

ЗАБЕЛЕШКА: Кога ја отстранувате касетата за батеријата, осигурете дека монтираниот алат е целосно запрен и нема комуникација со апликацијата. Во спротивно, може да дојде до дефект.

За монтирање на касетата за батерија, порамнете го јазичето на касетата за батерија со жлебот во куќиштето и лизнете го во место. Вметнете докрај додека не се блокира во место при што ќе се слушне звук. Ако можете да го видите црвениот индикатор како што е прикажано на сликата, не е целосно блокирана во место.

За да ја извадите касетата за батеријата, повлечете ја од конекторот додека го лизгате копчето на предната страна на касетата.

► Сл.6: 1. Црвен индикатор 2. Копче 3. Касета за батерија

Поставување или вадење на алатот

⚠ ВНИМАНИЕ: Не ставајте го прстот на прекинувачот на алатот. Во спротивно, ненамерното стартување може да предизвика сериозна повреда.

ЗАБЕЛЕШКА: Кога го монтирате или вадите алатот, осигурете дека монтираниот алат е целосно запрен. Во спротивно, може да дојде до дефект.

ЗАБЕЛЕШКА: Кога го отстранувате алатот, осигурете дека нема комуникација со апликацијата. Во спротивно, може да дојде до дефект.

НАПОМЕНА: Алатот не функционира кога е прикачен овој конектор.

За монтирање на алатот, порамнете го јазичето на овој конектор со жлебот во кукишлето и лизнете го во место. Вметнете докрај додека не се блокира во место при што ќе се слушне звук.

За да го извадите алатот, повлечете го од конекторот додека го лизгате копчето на предната страна на овој конектор.

► Сл.7

РЕШАВАЊЕ ПРОБЛЕМИ

Пред да побарате поправка, проверете ги следниве точки.

Состојба на аномалии	Можна причина (дефект)	Поправка
Конекторот не може да се вклучи. Ламбичката за статус не светнува.	Преостанатиот капацитет на батеријата е на ниско ниво.	Наполнете ја касетата за батеријата.
	Касетата за батеријата е неправилно монтирана.	Веднаш извадете ја касетата за батеријата. Повторно монтирајте ја касетата за батеријата како што е опишано во ова упатство.
Ламбичката за статус трепка црвено.	Алатот е неправилно монтиран.	Веднаш извадете го алатот. Повторно монтирајте го алатот како што е опишано во ова упатство.
	Касетата за батеријата е неправилно монтирана.	Веднаш извадете ја касетата за батеријата. Повторно монтирајте ја касетата за батеријата како што е опишано во ова упатство.

Состојба на аномалии	Можна причина (дефект)	Поправка
Конекторот не може да воспостави поврзување со паметен телефон/таблет.	Сигналот е слаб.	Ставете го паметниот телефон/таблетот поблиску до конекторот.
	Поврзувањето преку Bluetooth на паметниот телефон/таблетот е оневозможено.	Активирајте го поврзувањето преку Bluetooth на паметниот телефон/таблетот.
USB-поврзувањето со компјутерот не работи.	USB-кабелот не е правилно приклучен.	Осигурете дека USB-кабелот е цврсто приклучен во USB-портата.
	Кабелот е неисправен.	Користете друг USB-кабел.
	USB-кабелот не е според спецификациите.	Користете USB-кабел што е наведен во ова упатство. Видете во делот за спецификации.

Ако проблемот не може да се реши и откако ќе ги преземете горенаведените мерки, можеби конекторот е дефектен. Контакттирајте некој од овластените сервисни центри на Makita.

ОДРЖУВАЊЕ

⚠ ВНИМАНИЕ: Пред секоја проверка или одржување, секогаш проверувајте дали алатот е исклучен и касетата за батеријата е извадена.

ЗАБЕЛЕШКА: Не мијте го конекторот со вода. Опасност од дефект.

ЗАБЕЛЕШКА: Од време на време, бришете ја надворешноста на конекторот со крпа натопена во насапунета вода.

ЗАБЕЛЕШКА: За чистење, не користете нафта, бензин, разредувач, алкохол или слично. Тие средства ја вадат бојата и може да предизвикаат деформации или пукнатини.

За да се одржи БЕЗБЕДНОСТА и СИГУРНОСТА на производот, поправките, одржувањата или дотерувањата треба да се вршат во овластени сервисни или фабрички центри на Makita, секогаш со резервни делови од Makita.

ТЕХНИЧКИ ПОДАЦИ

Модел:		ADP12
Применљив уложак батерије		BL4020 / BL4025 / BL4040 / BL4050F / BL4080F
Димензије (Д x Ш x В) (без батерије и алата)		98 мм x 85 мм x 55 мм
Нето тежина (без батерије и алата)		0,17 кг
Bluetooth	Bluetooth® верзија	5,1 (Bluetooth мале потрошње)
	Домет	Приближно 10 м
	Фреквенцијски опсег	2.402 MHz – 2.480 MHz
	Максимална снага радио фреквенције	0,11 dBm (EIRP)

- На основу нашег непрестаног истраживања и развоја задржавамо право измена наведених техничких података без претходне најаве.
- Спецификације могу да се разликују у различитим земљама.
- Неки горенаведени улошци батерија можда неће бити доступни у зависности од места становања.

Примењиви USB кабл

Користите USB кабл који одговара прикључку USB тип C.

Препоручујемо оклопљени USB кабл, са сертификатом USB-IF, дужине до највише 1,8 м.

Примењиви извор напајања повезан каблом

Да ли је могућа употреба извора напајања који је повезан каблом зависи од алата са којим ће се користити. Погледајте спецификације алата.

Обавештење о некомпатибилним алатима

Неки алати нису компатибилни са овим прикључком. Погледајте приручник на мрежи наведен на слици за конкретне бројеве модела.

Приручник на мрежи за апликацију за ADP12
► Слика 1

Симболи

У наставку су приказани симболи који се односе на опрему. Пре употребе се обавезно упознајте са њиховим значењем.



Прочитајте упутство за употребу.



Само за употребу у затвореном простору.



Ni-MH
Li-ion

Само за земље ЕУ
Због присуства штетних компонента у опреми, отпад од електричне и електронске опреме, акумулатора и батерија, може да има негативан утицај на животну средину и здравље људи. Не одлажите електричне и електронске уређаје или батерије са кућним отпадом! У складу са европском директивом о отпаду од електричне и електронске опреме и о акумулаторима и батеријама и отпаду од акумулатора и батерија, као и њеном прилагођавању националном закону, отпад од електричне и електронске опреме, батерија и акумулатора мора да се прикупи одвојено и достави одвојеном сабиралишту за комунални отпад који ради у складу са прописима о заштити животне средине. То означава симбол прецртане канте за смеће на опреми.

Декларације о усаглашености

Само за европске земље

Декларације о усаглашености су део анекса А у овом упутству за употребу.

БЕЗБЕДНОСНА УПОЗОРЕЊА

Пре коришћења овог прикључка, прочитајте сва упутства и безбедносне ознаке на овом прикључку, улошку батерије и производу који користи овај прикључак. Поштујте сва безбедносна упозорења и упутства. Непоштовање упозорења и упутстава може изазвати струјни удар, пожар и/или тешке телесне повреде.

Безбедност радног подручја

1. Немојте да излажете овај прикључак киши, снегу или влази. У супротном вода може да доспе у прикључак и може доћи до струјног удара или кратког споја.
2. Немојте да користите овај прикључак у окружењима где може да дође до експлозије, на пример, у присуству запаљивих течности, гасова или прашине. Ризик од експлозије или пожара.

Заштита од струје

1. Користите USB кабл који одговара прикључку USB тип C. Немојте да преправљате USB кабл. У супротном може доћи до квара.
2. Немојте да изазивате кратак спој контакта. Контакт држите даље од других металних предмета, као што су игле или жице, јер то може да доведе до спајања контаката. Кратак спој између контаката може да доведе до опекотина или пожара.
3. Прикључак користите искључиво са одговарајућим батеријама. Немојте да користите преправљену батерију. Коришћење других врста батерија може да изазове ризик од повреде и пожара.

Сервисирање

1. Прикључак треба да сервисира квалификована особа која ће користити само идентичне резервне делове. То ће омогућити безбедно коришћење прикључка. Не растављајте и не преправљајте овај прикључак. Тиме можете да изазовете пожар, прекомерно загревање или експлозију. Ако приметите било какву неправилност код овог прикључка, пошаљите га у овлашћени Makita сервис или фабрички сервис ради прегледа и поправке. Ако особа која не поседује знање и вештине неопходне за извршење поправке покуша да поправи овај производ, не само да поправка неће бити правилно извршена, већ постоји и ризик од незгоде или повреде.

Додатна безбедносна упозорења

1. Проверите да ли има оштећених делова. Ако дође до појаве неправилности или квара, одмах престаните да користите овај прикључак. Ако наставите да га користите, може да дође до појаве дима/пожара, струјног удара и повреде.
 - <Примери неправилног рада/квара>
 - Кабл или контакт су необичајно топли.
 - Појавиле су се дубоке пукотине или деформације.
 - Када додирнете USB кабл, проводници могу, али не морају да буду под напоном.
 - Осећа се мирис паљевине.
 - Осећате електрицитет.

Ако вам се учини да постоје било какви проблеми, одмах искључите извор напајања са прикључка и обратите се овлашћеном Makita или фабричком сервису ради прегледа и поправке.

2. Ако приметите било какве неправилности као што је грејање улошка батерије током употребе, одмах престаните да користите и извадите уложак батерије. Наставак употребе може да доведе до појаве дима, пожара или експлозије.
3. Немојте да складиштите и користите овај прикључак на местима где температура може да достигне или премаше 50 °C (122 °F). Чувајте на сувом месту ван домаћаја деце. Постоји ризик од несрећног случаја.
4. Немојте дирати контакте мокрим рукама. Постоји ризик од струјног удара.
5. Немојте испуштати овај прикључак. Постоји ризик од квара.

САЧУВАЈТЕ ОВА УПУТСТВА – овај приручник садржи важна упутства за безбедност и руковање која се односе на овај прикључак. Када позајмљујете овај прикључак, увек приложите и овај приручник са упутствима.

Безбедносна упозорења за радио таласе

1. Немојте користити овај производ у близини електронских уређаја за које је неопходна веома прецизна контрола и који имају слаб сигнал. (Примери електронских уређаја на које треба обратити пажњу: слушни уређај, пејсмејкер, друга медицинска опрема, противпожарни аларм, аутоматска врата и друга опрема са аутоматском контролом).
2. Домент радио таласа овог производа није гарантован у свим окружењима. У следећим случајевима, радио таласи можда неће имати домет или ће бити ометени.
 - Приликом употребе овог производа у зградама у којима је уграђен бетон, арматура или метални делови.
 - Приликом употребе овог производа у близини препрека.
 - Када радио таласи овог уређаја наиђу на сметње услед рада бежичних комуникационих уређаја који користе исту фреквенцију.
 - Приликом употребе овог производа у близини опреме као што су микроталасне пећнице које стварају магнетно поље, статички електрицитет или радио сметње.

РЕСПЕКТИВНИ ЖИГОВИ И РЕГИСТРОВАНИ ЖИГОВИ



- Словна ознака Bluetooth® и логотипи представљају регистроване жигове компаније Bluetooth SIG, Inc. и свако коришћење таквих ознака од стране компаније Makita је лиценцирано. Други жигови и трговачки називи припадају одговарајућим власницима.
- Android и Google Play су жигови или регистровани жигови компаније Google LLC.
- iPhone је жиг компаније Apple Inc. регистрован у САД и другим земљама.
- Жиг iPhone се користи под лиценцом компаније iPhone Co., Ltd.
- App Store је жиг услуге компаније Apple Inc.
- Сви други жигови у овом документу представљају власништво њихових респективних власника.
Имајте у виду да су ознаке ™ и © изостављене на неким местима у главном тексту.

ОПИС ДЕЛОВА

► Слика2

1. **Дугме**
2. **USB прикључак**
За комуникацију са рачунаром. Не може да се користи за пуњење USB уређаја.
3. **Статус**

Лампица	Статус
Искључено	Извор напајања (уложак батерије/USB) није повезан на овај прикључак.
Сија зеленом бојом	Извор напајања је повезан на овај прикључак.
Трепће црвеном бојом	Читање података/ грешка при учитавању

4. **Режим**
Погледајте онлајн приручник за апликацију да бисте сазнали појединости о сваком од режима.

Лампица	Режим
Искључено	Режим комуникације (Comm)
Сија црвеном бојом	Самостални режим (батерија)
Сија зеленом бојом	Самостални режим (алат)

5. USB веза

Лампица	USB веза
Искључено	Рачунарска апликација није повезана са овим прикључком.
Сија зеленом бојом	Рачунарска апликација је повезана са овим прикључком.
Трепће зеленом бојом (брзо)	Комуникација са апликацијом на рачунару

6. Bluetooth веза

Лампица	Bluetooth веза
Искључено	Радио таласи се не емитују.
Сија плавом бојом	Веза је успостављена.
Трепће плавом бојом	Радио таласи се емитују. (Веза није успостављена.)
Трепће плавом бојом (брзо)	Комуникација са апликацијом на паметном телефону

ШТА МОЖЕТЕ ДА УРАДИТЕ СА ADP12

За појединости о начину употребе апликације погледајте приручник на мрежи за апликацију за ADP12. (Погледајте Сл.1.)

Функције

- **Подешавање против крађе (PIN код)**
Можете да подесите PIN код за сваки алат и уложак батерије. Може се руковати само комбинацијом алата и улошка батерије који имају одговарајуће PIN кодове.
- **Подешавање тајмера батерије**
Може да се подеси време/датум рока трајања за улошке батерија у складу са роковима изградње тако да улошци не буду употребљиви након завршетка изградње.
- **Помоћ сервиса**
 - **Провера алата**
Могу да се прикажу статус и радна историја алата.
 - **Провера батерије**
Могу да се прикажу статус и радна историја батерије.
 - **Регистрација у нотесу**
Можете да региструјете знакове на алату и улошку батерије (број знакова који могу да се региструју зависи од модела). Ова функција се користи за евидентирање алата и историју одржавања.

НАПОМЕНА: Неке од функција нису доступне у зависности од алата.

НАПОМЕНА: У провери алата, одређени број ставки евиденције радне историје може да се прикаже и за потпуно нови алат због обављених прегледа у фабрици итд.

ПРЕ УПОТРЕБЕ

Инсталација апликације

- Апликација је бесплатна, али приликом преузимања може да буде наплаћена засебна накнада за комуникацију.
- Апликација се користи искључиво за Makita производе.
- Апликацију користите након што прихватите услове употребе најновије верзије апликације. При првом покретању или инсталацији апликације, приказаће се екран са условима употребе.
- Екран апликације може да се промени или може да буде недоступан услед будућих ажурирања без претходне најаве.

За паметне телефоне/таблете

Припрема унапред

Паметни телефон/таблет (iOS или Android) је неопходан да би се користила апликација.

- iOS (iPhone): неопходан је iOS 13 или новији.
- Android: неопходан је Android верзије 9,0 или новији. Уз неке изузетке, на Android уређајима мора да се дозволи приступ информација о локацији ради Bluetooth повезивања.

Инсталација апликације

1. Претражите „Makita Tool Management“ у App Store или Google Play. Апликацији такође можете да приступите путем QR кода на следећој слици.

Страница за преузимање апликације за паметни телефон

► Слика3

2. Инсталирајте апликацију. Икона „Makita Tool Management“ ће бити направљена на почетном екрану.

За рачунаре

Услови система

Рачунар мора да задовољава следеће услове да би се апликација користила.

- ОС: Windows 10 или Windows 11

Инсталација апликације

1. Приступите URL адреси која је приказана на следећој слици.

Страница за преузимање апликације за рачунар

► Слика4

2. Преузмите „MakitaToolManagementSetup_EN_v1020.exe“ и инсталирајте апликацију.

Повезивање рачунара

Пре покретања апликације, повежите овај прикључак са рачунаром.

► Слика5

ОБАВЕШТЕЊЕ: Немојте искључивати USB кабл док лампица USB везе на овом прикључку трепери.

Постављање улошка батерије/алата

Опциони додатни прибор

Пре покретања апликације поставите уложак батерије и алат на овај прикључак.

Постављање и уклањање улошка батерије

ПАЖЊА: Увек до краја гурните уложак батерије тако да се црвени индикатор не види. У супротном, може случајно да испадне из овог прикључка и повреди вас или некога у близини.

ПАЖЊА: Обратите пажњу да не прикљештите прсте између улошка батерије и контаката.

ОБАВЕШТЕЊЕ: Напуните уложак батерије пре употребе. Уложак батерије који није напуњен не може да се користи.

ОБАВЕШТЕЊЕ: Приликом скидања улошка батерије уверите се да је постављени алат у потпуности заустављен и да нема комуникације са апликацијом. У супротном може доћи до квара.

Да бисте поставили уложак батерије, поравнајте језичак на њему са жлебом на кућишту и гурните га на место. Гурните га до краја тако да легне на своје место и чује се тихо шкљоцање. Ако видите црвени индикатор као што је приказано на слици, уложак батерије није потпуно закључан.

Да бисте уклонили уложак батерије, извуците га из овог прикључка док клизањем померате дугме на предњој страни улошка.

► Слика6: 1. Црвени индикатор 2. Дугме 3. Уложак батерије

Постављање и уклањање алата

ПАЖЊА: Немојте да ставите прст на прекидач алата. У супротном, непланирано покретање може изазвати повреде.

ОБАВЕШТЕЊЕ: Приликом постављања или скидања алата, уверите се да је постављени алат у потпуности заустављен. У супротном може доћи до квара.

ОБАВЕШТЕЊЕ: Приликом постављања алата, уверите се да нема комуникације са апликацијом. У супротном може доћи до квара.

НАПОМЕНА: Алат се неће покренути када је прикључен овај прикључак.

Да бисте поставили алат, поравнајте језичак на овом прикључку са жлебом на кућишту и гурните га на место. Гурните га до краја тако да легне на своје место и чује се тихо шкљоцање.

Да бисте уклонили алат, извуците га из овог прикључка док клизањем померате дугме на предњој страни прикључка.

► Слика7

РЕШАВАЊЕ ПРОБЛЕМА

Пре него што затражите поправку, проверите следеће ставке.

Неисправно стање	Вероватан узрок (квар)	Отклањање квара
Прикључак не може да се укључи. Лампица статуса се не пали.	Батерија је скоро испражњена.	Напуните уложак батерије.
	Уложак батерије није правилно постављен.	Уклоните уложак батерије. Поново поставите уложак батерије као што је описано у овом приручнику.
Лампица статуса трепће црвеном бојом.	Алат је неправилно постављен.	Скините алат. Поново поставите алат као што је описано у овом приручнику.
	Уложак батерије није правилно постављен.	Уклоните уложак батерије. Поново поставите уложак батерије као што је описано у овом приручнику.
Прикључак не може да успостави везу са паметним телефоном/таблетом.	Сигнал је слаб.	Ставите паметни телефон/таблет ближе прикључку.
	Bluetooth веза паметног телефона/таблета је онемогућена.	Активирајте Bluetooth везу паметног телефона/таблета.
USB веза са рачунаром не ради.	USB кабл није правилно прикључен.	Уверите се да је USB кабл добро прикључен у USB прикључак.
	Кабл је покварен.	Употребите други USB кабл.
	USB кабл не одговара спецификацијама.	Употребите USB кабл наведен у овом приручнику. Погледајте одељак са спецификацијама.

Ако проблем не може да се реши и након предузимања горенаведених мера, прикључак је можда покварен. Обратите се овлашћеном сервисном центру компаније Makita.

ОДРЖАВАЊЕ

ПАЖЊА: Пре него што почнете с прегледом или одржавањем алата, искључите алат и уклоните уложак батерије.

ОБАВЕШТЕЊЕ: Немојте прати прикључак водом. Постоји ризик од квара.

ОБАВЕШТЕЊЕ: Повремено обришите спољашњост прикључка помоћу тканине натопљене сапуницом.

ОБАВЕШТЕЊЕ: Никад немојте да користите нафту, бензин, разређивач, алкохол и слична средства. Може доћи до губитка боје, деформације или оштећења.

БЕЗБЕДАН и ПОУЗДАН рад алата гарантујемо само ако поправке, свако друго одржавање или подешавање, препустите овлашћеном сервису компаније Makita или фабричком сервису, уз употребу оригиналних резервних делова компаније Makita.

SPECIFICAȚII

Model:		ADP12
Cartușul acumulatorului aplicabil		BL4020 / BL4025 / BL4040 / BL4050F / BL4080F
Dimensiuni (L x l x H) (fără acumulator și mașină)		98 mm x 85 mm x 55 mm
Greutate netă (fără acumulator și mașină)		0,17 kg
Bluetooth	Versiune Bluetooth®	5,1 (Bluetooth cu energie redusă)
	Arie de transmisie	Aproximativ 10 m
	Bandă de frecvență	2.402 MHz - 2.480 MHz
	Putere radiofrecvență maximă	0,11 dBm (EIRP)

- Datorită programului nostru continuu de cercetare și dezvoltare, specificațiile pot fi modificate fără o notificare prealabilă.
- Specificațiile pot varia în funcție de țară.
- Este posibil ca unele cartușe ale acumulatorilor menționate mai sus să nu fie disponibile în funcție de regiunea dvs. de reședință.

Cablu USB aplicabil

Utilizați un cablu USB care se potrivește cu borna USB tip C.

Recomandăm utilizarea unui cablu USB cu protecție, omologat USB-IF, și cu o lungime de aproximativ 1,8 m.

Sursă de alimentare cu conectare prin cablu aplicabilă

Dacă sursa de alimentare cu conectare prin cablu este aplicabilă sau nu depinde de mașina cu care va fi utilizată. Consultați specificația mașinii.

Informare privind mașinile incompatibile

Unele mașini nu sunt compatibile cu acest conector. Vă rugăm să consultați manualul online din figură pentru numerele de model specifice.

Aplicație cu manualul online pentru ADP12

► Fig.1

Simboluri

Mai jos sunt prezentate simbolurile care pot fi utilizate pentru echipament. Asigurați-vă că înțelegeți sensul acestora înainte de utilizare.



Citiți manualul de utilizare.



Nu mai pentru utilizare în interior.



Doar pentru țările din cadrul UE

Din cauza prezenței componentelor periculoase în echipament, deșeurile de echipamente electrice și electronice, acumulatorii și bateriile pot avea un efect negativ asupra mediului și sănătății umane.

Nu eliminați aparatele electrice și electronice sau bateriile împreună cu gunoierul menajer!

În conformitate cu Directiva europeană privind deșeurile de echipamente electrice și electronice, acumulatorii, bateriile și deșeurile de acumulatori și baterii, precum și cu adaptarea sa în legislația națională, deșeurile de echipamente electrice, de baterii și de acumulatori trebuie depozitate separat și eliminate la un centru de colectare separat pentru deșeurile municipale, care respectă reglementările privind protecția mediului.

Acest lucru este indicat prin simbolul care reprezintă o pubeză cu roți barată cu o cruce, aplicat pe echipament.

Declarații de conformitate

Nu mai pentru țările europene

Declarațiile de conformitate sunt incluse ca Anexa A la acest manual de instrucțiuni.

AVERTIZĂRI DE SIGURANȚĂ

Înainte de a folosi acest conector, citiți toate instrucțiunile și atenționările de pe acest conector, de pe cartușul acumulatorului și de pe produsul care utilizează conectorul.

Respectați toate avertismentele de siguranță și toate instrucțiunile. Nerespectarea acestor avertismente și instrucțiuni poate avea ca rezultat electrocutarea, incendiul și/sau rănirea gravă.

Siguranța zonei de lucru

1. **Nu expuneți acest conector la ploaie, zăpadă sau condiții de umezeală.** În caz contrar, apa poate pătrunde în conector, provocând electrocutări sau scurtcircuitate.
2. **Nu utilizați acest conector în medii explozive, cum ar fi în prezența lichidelor, a gazelor sau a pulberilor inflamabile.** Risc de explozie sau de incendiu.

Siguranța electrică

1. **Utilizați un cablu USB care se potrivește cu borna USB tip C. Nu aduceți modificări cablului USB.** În caz contrar, pot apărea defecțiuni.
2. **Nu scurtcircuitați borna. Mențineți borna la distanță de alte obiecte metalice, precum ace sau fire, care pot realiza conexiunea de la o bornă la alta.** Scurtcircuitarea bornelor poate provoca arsuri sau incendii.
3. **Folosiți acest conector numai cu grupuri de acumulatori special destinați acestuia. Nu utilizați un acumulator modificat.** Utilizarea altor grupuri de acumulatori poate prezenta un risc de rănire și de incendiu.

Service

1. **Acest conector trebuie reparat de o persoană calificată, folosind doar piese de schimb identice.** Aceasta va asigura menținerea siguranței conectorului. **Nu dezamblați sau interveniți asupra acestui conector.** Acest lucru poate cauza incendii, căldură excesivă sau explozii. **Dacă observați orice anomalie la acest conector, trimiteți-l la centrele de service autorizate sau proprii Makita pentru inspecție și reparații.** Dacă o persoană fără cunoștințe și competențe legate de reparații repară acest produs, performanța acestuia nu va fi suficientă, existând totodată riscul de accident sau de vătămare.

Avertismente suplimentare privind siguranța

1. **Inspectați componentele pentru a vă asigura că nu sunt deteriorate. În cazul apariției oricărei anomalii sau defecțiuni, opriți imediat utilizarea acestui conector.** În cazul în care continuați să-l utilizați, există riscul de apariție a fumului/incendiilor sau de electrocutare ori vătămare. <Exemple de anomalii/defecțiuni>
 - Cablul sau borna este neobișnuit de cald(ă).
 - Există zgârieturi adânci sau deformări.
 - Atunci când atingeți cablul USB, conductorii pot fi sau nu sub tensiune.
 - Miroase a ars.
 - Simțiți o senzație electrică.**Dacă simțiți că ar putea exista orice defecțiune, deconectați imediat sursa de alimentare de la conector și contactați centrele de service autorizate sau proprii Makita pentru inspecție și reparații.**
2. **Dacă observați orice anomalie, precum încălzirea cartușului acumulatorului în timpul utilizării, scoateți imediat cartușul acumulatorului și nu-l mai utilizați.** Continuarea utilizării poate cauza fum, incendii sau explozii.

3. **Nu depozitați și nu utilizați acest conector în locuri în care temperatura poate atinge sau depăși 50 °C (122 °F).** Depozitați într-un loc uscat, departe de accesul copiilor. Există riscul de accident.
4. **Nu atingeți bornele cu mâinile umede.** Risc de electrocutare.
5. **Nu scăpați pe jos acest conector.** Risc de funcționare necorespunzătoare.

PĂSTRAȚI ACESTE INSTRUCȚIUNI – Acest manual conține instrucțiuni importante de siguranță și funcționare pentru acest conector.

Când împrumutați acest conector unei alte persoane, împrumutați-l întotdeauna împreună cu acest manual de instrucțiuni.

Avertizări privind siguranța pentru undele radio

1. **Nu utilizați acest produs în apropierea dispozitivelor electronice cu control de înaltă precizie și semnale slabe. (Exemple de dispozitive electronice care necesită atenție: aparat auditiv, stimulator cardiac, alte echipamente medicale, alarmă de incendiu, ușă automată și alte echipamente cu control automat).**
2. Undele radio ale acestui produs nu sunt garantate în toate mediile. În următoarele cazuri, este posibil ca undele radio să nu fie suficiente de puternice sau este posibil ca undele radio să fie întrerupte.
 - Atunci când utilizați acest produs în clădiri în care s-a utilizat beton, armături sau metale.
 - Atunci când utilizați acest produs în apropierea unor obstacole.
 - Atunci când există interferențe ale acestui produs cu dispozitive de comunicație prin wireless care utilizează aceeași frecvență.
 - Atunci când utilizați acest produs în apropierea unor echipamente precum cuptoare cu microunde, care generează câmpuri magnetice, electricitate statică sau interferențe radio.

MĂRCI COMERCIALE ȘI MĂRCI COMERCIALE ÎNREGISTRATE ASOCIATE



- Marca verbală și logourile Bluetooth® sunt mărci comerciale înregistrate deținute de Bluetooth SIG, Inc. și orice utilizare a unor astfel de mărci de către Makita se realizează sub licență. Alte mărci comerciale și denumiri comerciale sunt cele ale titularilor respectivi.
- Android și Google Play sunt mărci comerciale sau mărci comerciale înregistrate ale Google LLC.
- iPhone este o marcă comercială a Apple Inc., înregistrată în SUA și în alte țări.

- Marca comercială iPhone este utilizată sub licența Iphone Co., Ltd.
- App Store este o marcă de serviciu a Apple Inc.
- Toate celelalte mărci comerciale din acest document sunt proprietatea titularilor lor. Vă rugăm să observați că mărcile ™ și © sunt omise în anumite părți ale textului principal.

DESCRIERE COMPONENTE

► Fig.2

1. **Buton**
2. **Port USB**
Pentru comunicarea cu un computer. Nu poate fi utilizat pentru a încărca dispozitive USB.
3. **Stare**

Lampă	Stare
Oprită	Sursa de alimentare (cartușul acumulatorului/USB) nu este conectată la acest conector.
Emite o lumină verde	Sursa de alimentare este conectată la acest conector.
Emite o lumină roșie intermitentă	Eroare de citire a datelor/ de încărcare

4. **Mod**
Consultați manualul online din aplicație pentru detalii cu privire la fiecare mod.

Lampă	Mod
Oprită	Mod comunicație (Comm)
Emite o lumină roșie	Mod de sine stătător (acumulator)
Emite o lumină verde	Mod de sine stătător (mașină)

5. Conexiune prin USB

Lampă	Conexiune prin USB
Oprită	Aplicația pentru computer nu este conectată la acest conector.
Emite o lumină verde	Aplicația pentru computer este conectată la acest conector.
Emite o lumină verde intermitentă (ritm rapid)	Comunicare cu aplicația pentru computer

6. Conexiune prin Bluetooth

Lampă	Conexiune prin Bluetooth
Oprită	Undele radio nu sunt generate.
Emite o lumină albastră	Conexiunea a fost realizată.
Emite o lumină albastră intermitentă	Undele radio sunt generate. (Conexiunea nu a fost realizată.)
Emite o lumină albastră intermitentă (ritm rapid)	Comunicare cu aplicația pentru smartphone

CUM PUTEȚI UTILIZA ADP12

Pentru detalii privind modul de utilizare a aplicației, consultați aplicația cu manualul online pentru ADP12. (Consultați Fig.1.)

Caracteristici

- **Setare antifurt (cod PIN)**
Puteți seta un cod PIN pentru fiecare mașină și cartuș al acumulatorului. Doar combinația de mașină și cartuș al acumulatorului cu coduri PIN identice poate fi utilizată.
- **Setare pentru temporizatorul acumulatorului**
O oră/dată de expirare poate fi setată pentru cartușele acumulatorilor în conformitate cu calendarul de construcție, astfel încât cartușele să nu poată fi utilizate după finalizarea construcției.
- **Asistență pentru service**
 - **Verificatorul mașinii**
Pot fi afișate starea mașinii și istoricul utilizării.
 - **Verificatorul acumulatorului**
Pot fi afișate starea acumulatorului și istoricul utilizării.
 - **Înregistrarea în blocnotes**
Puteți înregistra caractere în mașină și în cartușul acumulatorului (numărul de caractere care pot fi înregistrate depinde de model). Acesta este utilizat pentru gestionarea mașinii și istoricul lucrărilor de întreținere.

NOTĂ: Unele funcții nu sunt disponibile în funcție de mașină.

NOTĂ: În verificatorul mașinii, numărul istoricului operațiunilor poate fi afișat chiar și la o mașină nouă, ca urmare a inspecțiilor din fabrică etc.

ÎNAINTE DE UTILIZARE

Instalarea aplicației

- Aplicația este gratuită, dar pot fi percepute taxe de comunicație separate în momentul descărcării.
- Aplicația este destinată exclusiv produselor Makita.
- Vă rugăm să utilizați aplicația după ce acceptați cea mai recentă versiune a termenilor de utilizare a aplicației. La prima pornire sau la instalarea aplicației, se va afișa ecranul cu termenii de utilizare.
- Ecranul aplicației poate fi modificat sau poate fi indisponibil, fără o notificare, din cauza actualizărilor viitoare.

Pentru smartphone-uri/tablete

Pregătirea în avans

Pentru a utiliza aplicația, este nevoie de un smartphone/tabletă (iOS sau Android).

- iOS (iPhone): versiunea iOS 13 sau o versiune ulterioară este necesară.
- Android: Versiunea Android 9,0 sau o versiune ulterioară este necesară.
Cu unele excepții, dispozitivele Android trebuie să permită utilizarea informațiilor despre locație pentru conexiunile prin Bluetooth.

Instalarea aplicației

1. Căutați „Makita Tool Management” în App Store sau Google Play.
De asemenea, o puteți accesa scanând codul QR din următoarea figură.

Site-ul de descărcare a aplicației pentru smartphone
► Fig.3

2. Instalați aplicația. O pictogramă „Makita Tool Management” va fi creată pe ecranul de pornire.

Pentru computere

Cerințe de sistem

Computerul trebuie să îndeplinească următoarele cerințe pentru a utiliza aplicația.

- Sistem de operare: Windows 10 sau Windows 11

Instalarea aplicației

1. Accesați URL-ul din următoarea figură.

Site-ul de descărcare a aplicației pentru computer
► Fig.4

2. Descărcați „MakitaToolManagementSetup_EN_v1020.exe” și instalați aplicația.

Conectarea computerului

Înainte de a lansa aplicația, conectați acest conector la computer.

► Fig.5

NOTĂ: Nu deconectați cablul USB în timp ce lampa de conexiune prin USB a acestui conector luminează intermitent.

Montarea cartușului acumulatorului/mașinii

Accesorii opționale

Înainte de a lansa aplicația, montați cartușul acumulatorului și mașina la acest conector.

Montarea sau demontarea cartușului acumulatorului

⚠ATENȚIE: Introduceți întotdeauna complet cartușul acumulatorului, până când indicatorul roșu nu mai este vizibil. În caz contrar, acesta poate cădea accidental din acest conector, provocând rănirea dumneavoastră sau a persoanelor din jur.

⚠ATENȚIE: Aveți grijă să nu vă prindeți degetul între cartușul acumulatorului și borne.

NOTĂ: Încărcați cartușul acumulatorului înainte de utilizare. Un cartuș al acumulatorului descărcat nu poate fi utilizat.

NOTĂ: Atunci când demontați cartușul acumulatorului, asigurați-vă că mașina montată este oprită complet și că nu comunicați cu aplicația. În caz contrar, pot apărea defecțiuni.

Pentru a monta cartușul acumulatorului, aliniați limba de pe cartușul acumulatorului cu canelura din carcasă și introduceți-l în locaș. Introduceți-l complet, până când se înclichetează în locaș. Dacă vedeți indicatorul roșu, astfel cum se arată în imagine, acesta nu este blocat complet.

Pentru a demonta cartușul acumulatorului, glisați-l afară din acest conector în timp ce glisați butonul de pe partea frontală a cartușului.

► Fig.6: 1. Indicator roșu 2. Buton 3. Cartușul acumulatorului

Montarea sau demontarea mașinii

⚠ATENȚIE: Nu puneți degetul pe comutatorul mașinii. În caz contrar, mașina poate porni accidental și poate cauza vătămări.

NOTĂ: Atunci când montați sau demontați mașina, asigurați-vă că mașina montată este oprită complet. În caz contrar, pot apărea defecțiuni.

NOTĂ: Atunci când demontați mașina, asigurați-vă că nu comunicați cu aplicația. În caz contrar, pot apărea defecțiuni.

NOTĂ: Mașina nu funcționează cu acest conector atașat.

Pentru a monta mașina, aliniați limba de pe acest conector cu canelura din carcasă și introduceți-o în locaș. Introduceți-o complet, până când se înclichetează în locaș.

Pentru a demonta mașina, glisați-o afară din acest conector în timp ce glisați butonul de pe partea frontală a acestui conector.

► Fig.7

DEPANARE

Înainte de a solicita reparații, verificați următoarele puncte.

Stare de anormalitate	Cauză probabilă (defecțiune)	Remediu
Conectorul nu pornește. Lampa care indică starea nu luminează.	Capacitatea rămasă a acumulatorului este redusă.	Încărcați cartușul acumulatorului.
	Cartușul acumulatorului este montat necorespunzător.	Scoateți o dată cartușul acumulatorului. Montați din nou cartușul acumulatorului în modul descris în acest manual.
Lampa care indică starea luminează intermitent în roșu.	Mașina nu este montată în mod corespunzător.	Demontați o dată mașina. Montați din nou mașina în modul descris în acest manual.
	Cartușul acumulatorului este montat necorespunzător.	Scoateți o dată cartușul acumulatorului. Montați din nou cartușul acumulatorului în modul descris în acest manual.
Conectorul nu poate realiza conexiunea cu smartphone-ul/tableta.	Semnalul este slab.	Așezați smartphone-ul/tableta mai aproape de conector.
	Conexiunea prin Bluetooth a smartphone-ului/tabletei este dezactivată.	Activați conexiunea prin Bluetooth a smartphone-ului/tabletei.
Conexiunea prin USB cu computerul nu funcționează.	Cablul USB nu este introdus în mod corespunzător.	Asigurați-vă că introduceți bine cablul USB în portul USB.
	Cablul este deteriorat.	Utilizați un alt cablu USB.
	Cablul USB nu este prevăzut în specificații.	Utilizați cablul USB specificat în acest manual. Consultați secțiunea referitoare la specificații.

Dacă problema nu poate fi rezolvată nici după ce ați luat măsurile de mai sus, este posibil să existe o defecțiune la nivelul conectorului. Vă rugăm să contactați centrele de service autorizate Makita.

ÎNȚREȚINERE

ATENȚIE: Asigurați-vă întotdeauna că mașina este oprită și cartușul acumulatorului scos înainte de a executa lucrările de inspecție și întreținere.

NOTĂ: Nu spălați conectorul cu apă. Risc de funcționare necorespunzătoare.

NOTĂ: Din când în când, ștergeți suprafața exterioară a acestui conector utilizând o lavetă umezită în apă cu săpun.

NOTĂ: Nu utilizați niciodată gazolină, benzină, diluant, alcool sau alte substanțe asemănătoare. În caz contrar, pot rezulta decolorări, deformări sau fisuri.

Pentru a menține SIGURANȚA și FIABILITATEA produsului, reparațiile și orice alte lucrări de întreținere sau reglare trebuie executate de centre de service Makita autorizate sau proprii, folosind întotdeauna piese de schimb Makita.

ТЕХНІЧНІ ХАРАКТЕРИСТИКИ

Модель:		ADP12
Застосовна касета з акумулятором		BL4020 / BL4025 / BL4040 / BL4050F / BL4080F
Габаритні розміри (Д × Ш × В) (Без акумулятора та інструмента)		98 мм × 85 мм × 55 мм
Маса нетто (Без акумулятора та інструмента)		0,17 кг
Bluetooth	Версія Bluetooth®	5,1 (Bluetooth із низьким енергоспоживанням)
	Діапазон передачі	Приблизно 10 м
	Частотний діапазон	2 402 МГц – 2 480 МГц
	Максимальна радіочастотна потужність	0,11 дБм (EIRP)

- Оскільки наша програма наукових досліджень і розробок триває безперервно, наведені тут технічні характеристики можуть бути змінені без попередження.
- У різних країнах технічні характеристики можуть бути різними.
- Деякі касети з акумулятором, які вказано вище, можуть бути недоступними залежно від вашого регіону або місця перебування.

Підходящий USB-кабель

Використовуйте USB-кабель, що підходить до роз'єму USB Type-C.
Рекомендуємо застосовувати USB-кабель із екраном, схвалений USB-IF, довжиною приблизно до 1,8 м.

Допустиме джерело живлення з дротовим підключенням

Чи підходить для вас якесь джерело живлення з дротовим підключенням, залежить від того, з яким інструментом воно буде використовуватися. Подивіться технічні характеристики інструмента.

Сповіднення про несумісні інструменти

Деякі інструменти несумісні із цим адаптером. Відповідні номери моделей можна дізнатися з веб-посібника, який можна завантажити, використовуючи QR-код нижче.

Веб-посібник програми для адаптера ADP12
► Рис.1

Символи

Далі наведено символи, які можуть застосовуватися для позначення обладнання. Перед користуванням переконайтеся, що ви розумієте їхнє значення.



Читайте посібник з експлуатації.



Пристрій призначений лише для використання в приміщеннях.



Тільки для країн ЄС
Через наявність в обладнанні небезпечних компонентів відходи електричного та електронного обладнання, акумулятори та батареї можуть негативно впливати на навколишнє середовище та здоров'я людини.



Не викидайте електричні та електронні прилади або батареї разом з побутовими відходами!

Відповідно до директиви ЄС стосовно відходів електричного та електронного обладнання, акумуляторів, батарей та відходів акумуляторів і батарей, а також відповідно до її адаптації до національного законодавства, відходи електричного обладнання, батарей та акумулятори слід зберігати окремо й доставляти на пункт роздільного збору комунальних відходів, який працює з дотриманням правил охорони навколишнього середовища.

Це позначено символом у вигляді перекресленого сміттового контейнера з колесами, нанесеним на обладнання.

Декларації відповідності

Тільки для країн Європи

Декларації відповідності наведено в Додатку А цієї інструкції з експлуатації.

ПОПЕРЕДЖЕННЯ ПРО ДОТРИМАННЯ ТЕХНІКИ БЕЗПЕКИ

Перед використанням цього адаптера прочитайте всі інструкції й попереджувальні написи на цьому адаптері, касеті з акумулятором і виробі, який використовує цей адаптер.

Дотримуйтеся всіх попереджень щодо техніки безпеки та інструкцій. Недотримання попереджень та інструкцій може призвести до ураження електричним струмом, до виникнення пожежі та/або до отримання тяжких травм.

Безпека робочого місця

1. Не надавайте цей адаптер впливу дощу, снігу й вологи. Інакше в адаптер може потрапити вода, що може призвести до ураження електричним струмом або короткого замикання.
2. Не використовуйте цей адаптер у вибухонебезпечних місцях, наприклад біля легкозаймистих рідин, газів чи пилу. Це може спричинити вибух або займання.

Електробезпека

1. Використовуйте USB-кабель, що підходить до роз'єму USB Type-C. Не змінюйте конструкцію USB-кабелю. Інакше це може призвести до несправності.
2. Не допускайте короткого замикання клем. Не підносьте до клем інші металеві предмети, як-от голки або дроти, що можуть з'єднати одну клему з іншою. Замикання клем може призвести до опіків або пожежі.
3. Використовуйте цей адаптер лише зі спеціально призначеними для нього акумуляторами. Не використовуйте акумулятор, конструкцію якого змінено. Використання інших акумуляторів може призвести до травм і пожежі.

Обслуговування

1. Технічне обслуговування цього адаптера має виконувати кваліфікований фахівець із ремонту й тільки з використанням лише оригінальних запчастин. Це забезпечить підтримання цього адаптера в належному безпечному стані.
Не розбирайте адаптер і не намагайтеся змінювати його конструкцію. Це може призвести до пожежі, перегріву або вибуху.
Якщо ви помітили, що цей адаптер працює неправильно, надішліть його в авторизований або заводський сервісний центр Makita для перевірки та ремонту.
Якщо цей вибір ремонтуватиме людина, яка не володіє відповідними знаннями й навичками, він не тільки не працюватиме належним чином, але також існує ризик виникнення нещасного випадку або травми.

Додаткові попередження про необхідну обережність

1. Огляньте пристрій на наявність пошкоджених деталей. У разі виявлення несправностей або неналежної роботи цього адаптера негайно припиніть користуватися ним. Якщо продовжити користуватися ним, він може почати димити або займатися, може спричинити ураження електричним струмом і травму.
<Приклади аномалій / відмов>
 - Кабель або клеми ненормально гарячі.
 - Присутні глибокі подряпини або деформація.
 - Коли ви торкаєтесь USB-кабелю, провідники можуть бути під напругою.
 - Пахне горілим.
 - Пробій струму.

У разі виникнення будь-яких проблем негайно від'єднайте джерело живлення від адаптера та зверніться до авторизованих або заводських сервісних центрів Makita для його перевірки та ремонту.

2. У разі виявлення будь-яких відхилень від норми, як-от нагрівання касети з акумулятором під час використання, негайно зніміть і припиніть використовувати касету з акумулятором. Подальше використання може спричинити появу диму, пожежу або вибух.
3. Не слід зберігати й використовувати цей адаптер у місцях, де температура може сягнути чи перевищити 50 °C (122 °F). Зберігайте в сухому й недоступному для дітей місці. Існує ризик виникнення нещасного випадку.
4. Заборонено торкатися клем мокрими руками. Ризик ураження електричним струмом.
5. Не кидайте цей адаптер. Він може вийти з ладу.

ЗБЕРЕЖІТЬ ЦЕЙ ПОСІБНИК – цей посібник містить важливу інформацію з техніки безпеки та інструкції з експлуатації цього адаптера. Передаючи цей адаптер у тимчасове використання, також обов'язково передавайте цей посібник з експлуатації.

Попередження про дотримання техніки безпеки під час роботи з радіохвилями

1. Не використовуйте цей адаптер поблизу електронних пристроїв із високочастотним керуванням і слабкими сигналами. (Приклади електронних пристроїв, з якими потрібно поводитися обережно: слуховий апарат, кардіостимулятор, інше медичне обладнання, пожежна сигналізація, автоматичні двері та інше обладнання автоматичного керування.)
2. Радіохвилі, які випромінює цей пристрій, проходять не крізь усі середовища. У наведених нижче випадках радіохвилі можуть не діставати або перериватися.
 - У разі використання цього пристрою в будівлях, де використовується бетон, арматура або метал.

- У разі використання цього пристрою поблизу фізичних перешкод.
- Коли цьому пристрою створюють перешкоди пристрої бездротового зв'язку, які використовують ту саму частоту.
- У разі використання цього пристрою поблизу обладнання, наприклад мікрохвильової печі, що створює магнітне поле, статичну електрику або радіоперешкоди.

ВІДПОВІДНІ ТОВАРНІ ЗНАКИ та ЗАРЕЄСТРОВАНІ ТОРГОВЕЛЬНІ МАРКИ



- Слово Bluetooth® і логотипи цієї функції є зареєстрованими торговельними марками компанії Bluetooth SIG, Inc.; компанія Makita використовує такі марки за ліцензією. Інші торговельні марки та торгові назви належать відповідним власникам.
- Android і Google Play є товарними знаками або зареєстрованими торговельними марками компанії Google LLC.
- iPhone є торговельною маркою компанії Apple Inc., зареєстрованою в США та інших країнах.
- Торговельна марка iPhone використовується за ліцензією від компанії iPhone Co., Ltd.
- App Store є знаком обслуговування компанії Apple Inc.
- Усі інші торговельні марки, наведені в цьому документі, є власністю відповідних власників. Зверніть увагу, що позначки ™ і ® у деяких частинах основного тексту опущені.

ОПИС ДЕТАЛЕЙ

► Рис.2

1. **Кнопка**
2. **USB-порт**
Для підключення до комп'ютера. Не можна використовувати для заряджання USB-пристроїв.
3. **Стан**

Індикатор	Стан
Не горить	Джерело живлення (касета з акумулятором / USB) не підключене до адаптера.
Світлиться зеленим кольором	Джерело живлення підключене до адаптера.
Блимає червоним кольором	Помилка зчитування / завантаження даних

4. **Режим**
Докладніше про кожен режим можна дізнатися з електронного посібника програми.

Індикатор	Режим
Не горить	Режим обміну даними (Comm)
Світлиться червоним кольором	Режим автономної роботи (від акумулятора)
Світлиться зеленим кольором	Режим автономної роботи (від інструмента)

5. Підключення через USB

Індикатор	Підключення через USB
Не горить	Комп'ютерна програма не підключена до цього адаптера.
Світлиться зеленим кольором	Комп'ютерна програма підключена до цього адаптера.
Блимає зеленим кольором (швидко)	Здійснюється обмін даними з комп'ютерною програмою

6. Підключення через Bluetooth

Індикатор	Підключення через Bluetooth
Не горить	Радіохвилі не генеруються.
Світлиться синім кольором	З'єднання встановлено.
Блимає синім кольором	Радіохвилі генеруються. (З'єднання не встановлено.)
Блимає синім кольором (швидко)	Здійснюється обмін даними з програмою смартфона

ЩО МОЖНА РОБИТИ З АДАПТЕРОМ ADP12

Докладніше про те, як користуватися програмою, дивіться в електронному посібнику програми для адаптера ADP12. (Див. рис.1.)

Функції

- **Налаштування захисту від крадіжки (PIN-код)**
Ви можете встановити PIN-код для кожного інструмента й касети з акумулятором. Комбінацію певного інструмента й певної касети з акумулятором можна використовувати лише з відповідними PIN-кодами.
- **Налаштування таймера акумулятора**
Час і дату завершення терміну дії касет з акумулятором можна встановити відповідно до графіка будівництва, щоб касети не можна було використовувати після завершення будівництва.

• Сервісне обслуговування

— Засіб перевірки інструмента

Можна відобразити стан інструмента та історію його роботи.

— Засіб перевірки акумулятора

Можна відобразити стан акумулятора та історію його роботи.

— Функція запису в блокноті

Ви можете записувати символи в інструменті та касеті з акумулятором (кількість символів, які можна зареєструвати, залежить від моделі). Використовується для керування інструментами та ведення історії обслуговування.

ПРИМІТКА: Залежно від інструмента деякі функції недоступні.

ПРИМІТКА: У засобі перевірки інструмента номер операції в історії роботи може відображатися навіть в абсолютно нового інструмента через виконання перевірок на заводі тощо.

ПІДГОТОВКА ДО ВИКОРИСТАННЯ

Установлення програми

- Ця програма безкоштовна, але під час завантаження може стягуватися окрема плата за з'єднання.
- Ця програма призначена виключно для виробів компанії Makita.
- Щоб використовувати програму, погодьтеся з останньою редакцією умов використання програми. Під час першого запуску або встановлення програми відобразиться екран умов використання.
- Через майбутні оновлення екран програми може бути змінений або недоступний без попередження.

Для смартфонів / планшетів

Попередня підготовка

Для роботи з програмою потрібен смартфон чи планшет (під керуванням iOS або Android).

- iOS (iPhone): потрібна версія iOS 13 або новіша.
- Android: потрібна версія Android 9,0 або новіша. За деякими винятками, на пристроях під керуванням Android необхідно надати дозвіл на використання даних про місцезнаходження для підключення через Bluetooth.

Установлення програми

1. Знайдіть програму «Makita Tool Management» у магазині App Store або Google Play. Доступ до неї також можна отримати за допомогою QR-коду на рисунку нижче.

Сайт для завантаження програми для смартфона

► Рис.3

2. Установіть програму. На головному екрані буде створено значок програми «Makita Tool Management».

Для комп'ютерів

Вимоги до системи

Для використання програми комп'ютер має відповідати наведеним нижче вимогам.

- ОС: Windows 10 або Windows 11

Установлення програми

1. Перейдіть за URL-адресою, показаною на рисунку нижче.

Сайт для завантаження програми для комп'ютера

► Рис.4

2. Завантажте файл «MakitaToolManagementSetup_EN_v1020.exe» та встановіть програму.

Підключення до комп'ютера

Перш ніж запускати програму, підключіть цей адаптер до комп'ютера.

► Рис.5

УВАГА: Не від'єднуйте USB-кабель, поки на адаптері блимає індикатор підключення через USB.

Установлення касети з акумулятором / інструмента

Додаткове приладдя

Перш ніж запускати програму, установіть у цей адаптер касету з акумулятором та інструмент.

Встановлення та зняття касети з акумулятором

▲ОБЕРЕЖНО: Завжди вставляйте касету з акумулятором повністю, щоб червоного індикатора не було видно. Якщо цього не зробити, касета може випадково випасти з адаптера й завдати травми вам або людям, що перебувають поруч.

▲ОБЕРЕЖНО: Будьте обережні, щоб не затиснути палець між касетою з акумулятором і клемми.

УВАГА: Зарядіть касету з акумулятором перед використанням. Не можна використовувати касету з акумулятором, який не має залишкового заряду.

УВАГА: Виймаючи касету з акумулятором, упевніться, що встановлений інструмент повністю зупинений, а адаптер не підключений до програми. Інакше це може призвести до несправності.

Щоб установити касету з акумулятором, слід сумістити виступ на касеті з акумулятором із пазом у корпусі й вставити касету на місце. Вставляйте її до кінця, щоб вона зафіксувалася з легким клацанням. Якщо ви бачите червоний індикатор, як показано на рисунку, повна фіксація не відбулася.

Щоб вийняти касету з акумулятором, слід витягнути її з адаптера, натиснувши кнопку в передній частині касети.

► Рис.6: 1. Червоний індикатор 2. Кнопка 3. Касета з акумулятором

Установлення або зняття інструмента

⚠ ОБЕРЕЖНО: Не тримайте пальці на вимикачі інструмента. Інакше випадковий запуск може призвести до травм.

УВАГА: Установлюючи або знімаючи інструмент, переконайтеся, що він повністю зупинений. Інакше це може призвести до несправності.

УВАГА: Знімаючи інструмент, переконайтеся, що з'єднання з програмою припинено. Інакше це може призвести до несправності.

ПРИМІТКА: Адаптер приєднано, але інструмент не працює.

Щоб установити інструмент, слід сумістити виступ на адаптері з пазом у корпусі інструмента й вставити його на місце. Вставляйте її до кінця, щоб вона зафіксувалася з легким клацанням.

Щоб зняти інструмент, слід стягнути його з адаптера, натиснувши кнопку в передній частині адаптера.

► Рис.7

УСУНЕННЯ НЕСПРАВНОСТЕЙ

Перш ніж здавати прилад до ремонту, слід перевірити наступні моменти.

Стан відхилення від норми	Можлива причина (несправність)	Спосіб виправлення
Адаптер не вмикається. Індикатор стану не світиться.	Низький рівень заряду акумулятора.	Зарядіть касету з акумулятором.
	Неправильно встановлено касету з акумулятором.	Негайно вийміть касету з акумулятором. Знову встановіть касету з акумулятором, як описано в цьому посібнику.
Індикатор стану блимає червоним кольором.	Неправильно встановлено інструмент.	Негайно зніміть інструмент. Знову встановіть інструмент, як описано в цьому посібнику.
	Неправильно встановлено касету з акумулятором.	Негайно вийміть касету з акумулятором. Знову встановіть касету з акумулятором, як описано в цьому посібнику.
Адаптер не може встановити з'єднання зі смартфоном / планшетом.	Слабкий сигнал.	Помістіть смартфон / планшет ближче до адаптера.
	На смартфоні / планшеті вимкнено з'єднання Bluetooth.	Активуйте з'єднання Bluetooth на смартфоні / планшеті.

Стан відхилення від норми	Можлива причина (несправність)	Спосіб виправлення
Не працює USB-з'єднання з комп'ютера.	Неправильно під'єднано USB-кабель.	Упевніться, що USB-кабель надійно підключено до USB-порту.
	Кабель несправний.	Скористайтеся іншим USB-кабелем.
	USB-кабель не відповідає технічним характеристикам.	Використуйте USB-кабель, характеристики якого відповідають описаним у цьому посібнику. Див. розділ «Технічні характеристики».

Якщо проблему неможливо усунути навіть після вжиття описаних вище заходів, можливо, адаптер несправний. Зверніться до авторизованих сервісних центрів компанії Makita.

ТЕХНІЧНЕ ОБСЛУГОВУВАННЯ

⚠ ОБЕРЕЖНО: Перед здійсненням перевірки або обслуговування завжди перевіряйте, щоб інструмент був вимкнений, а касета з акумулятором була знята.

УВАГА: Не мийте адаптер водою. Він може вийти з ладу.

УВАГА: Слід періодично протирати зовнішню поверхню адаптера ганчіркою, зволоженою мильною водою.

УВАГА: Ніколи не використовуйте газолін, бензин, розріджувач, спирт та подібні речовини. Їх використання може призвести до зміни кольору, деформації або появи тріщин.

Для забезпечення БЕЗПЕКИ та НАДІЙНОСТІ продукції, її ремонт, а також роботи з обслуговування або регулювання повинні виконуватись уповноваженими або заводськими сервісними центрами Makita із використанням запчастин виробництва компанії Makita.

ТЕХНИЧЕСКИЕ ХАРАКТЕРИСТИКИ

Модель:		ADP12
Подходящий блок аккумулятора		BL4020 / BL4025 / BL4040 / BL4050F / BL4080F
Размеры (Д x Ш x В) (без аккумулятора и инструмента)		98 мм x 85 мм x 55 мм
Масса нетто (без аккумулятора и инструмента)		0,17 кг
Bluetooth	Версия Bluetooth®	5,1 (Bluetooth с низким энергопотреблением)
	Дальность передачи	Приблизительно 10 м
	Диапазон частот	2 402 МГц - 2 480 МГц
	Максимальная мощность радиочастотного сигнала	0,11 дБм (ЭИИМ)

- Благодаря нашей постоянно действующей программе исследований и разработок указанные здесь технические характеристики могут быть изменены без предварительного уведомления.
- Технические характеристики могут различаться в зависимости от страны.
- В зависимости от региона вашего проживания некоторые блоки аккумуляторов, перечисленные выше, могут быть недоступны.

Подходящий USB-кабель

Используйте USB-кабель, соответствующий с разъемом USB Type-C.

Мы рекомендуем USB-кабель с экраном, соответствующий требованиям USB-IF, длиной приблизительно до 1,8 м.

Подходящий источник электропитания с проводным подключением

Пригодность или непригодность источника электропитания с проводным подключением зависит от того, с каким инструментом он должен использоваться. См. технические характеристики инструмента.

Уведомление о несовместимых инструментах

Некоторые инструменты несовместимы с данным коннектором. Конкретные номера моделей см. в веб-руководстве, указанном на рисунке.

Веб-руководство по приложению для мод. ADP12
► Рис. 1

Символы

Ниже приведены символы, которые могут использоваться для обозначения оборудования. Перед использованием убедитесь в том, что вы понимаете их значение.



Прочитайте руководство по эксплуатации.



Данное изделие предназначено только для работы в помещении.



Только для стран ЕС

В связи с наличием в оборудовании опасных компонентов отходы электрического и электронного оборудования, аккумуляторы и батареи могут оказывать негативное влияние на окружающую среду и здоровье человека.

Не выбрасывайте электрические и электронные устройства или батареи вместе с бытовыми отходами!

В соответствии с директивой ЕС по отходам электрического и электронного оборудования, по аккумуляторам, батареям и отходам аккумуляторов и батарей, а также в соответствии с ее адаптацией к национальному законодательству, отходы электрического оборудования, батареи и аккумуляторы следует хранить отдельно и доставлять на пункт раздельного сбора коммунальных отходов, работающий с соблюдением правил охраны окружающей среды. Это обозначено символом в виде перевернутого мусорного контейнера на колесах, нанесенным на оборудование.



Ni-MH
Li-ion

Декларации о соответствии

Только для европейских стран

Декларации о соответствии включены в Приложение А к настоящему руководству по эксплуатации.

МЕРЫ БЕЗОПАСНОСТИ

Перед использованием данного коннектора прочтите все инструкции и предупреждающие надписи на данном коннекторе, блоке аккумулятора и изделии, используя данный коннектор.

Выполняйте все правила и инструкции по технике безопасности. Невыполнение предупреждений и инструкций может привести к поражению электрическим током, возгоранию и/или тяжелым травмам.

Безопасность в месте выполнения работ

1. **Не допускайте попадания данного коннектора под дождь, снег или в условия высокой влажности.** В противном случае возможно проникновение воды внутрь коннектора, что может привести к поражению электрическим током или короткому замыканию.
2. **Запрещается эксплуатация данного коннектора во взрывоопасной атмосфере, например в присутствии легковоспламеняющихся жидкостей, газов или пыли.** Существует опасность взрыва или возгорания.

Электробезопасность

1. **Используйте USB-кабель, согласующийся с разъемом USB Type-C.** Внесение изменений в конструкцию USB-кабеля запрещается. В противном случае возможно нарушение нормальной работы.
2. **Не замыкайте контакты разъема между собой. Не допускайте расположения разъема вблизи других металлических предметов наподобие игл или проволоки, которые могут соединить один контакт разъема с другим.** Короткое замыкание контактов разъема может привести к ожогам или возгоранию.
3. **Используйте коннектор только со специально предусмотренными для этого аккумуляторными блоками. Не используйте аккумуляторы с конструктивными изменениями.** Использование любых других аккумуляторных блоков может создавать опасность травмирования или возгорания.

Сервисное обслуживание

1. **Сервисное обслуживание коннектора должно проводиться только квалифицированным специалистом по ремонту и только с использованием идентичных запасных частей.** Это позволит обеспечить безопасность данного коннектора. **Не разбирайте данный коннектор и не вносите изменений в его конструкцию.** Это может привести к возгоранию, перегреву или взрыву. **В случае обнаружения какой-либо неисправности данного коннектора отправьте его в авторизованный сервисный центр или сервисный центр предприятия Makita для проведения осмотра и ремонта.** В случае осуществления ремонта данного изделия каким-либо лицом, не обладающим необходимыми для этого знаниями и навыками, это приведет не только к его недостаточно эффективной работе, но и к опасности возникновения несчастного случая или получения травмы.

Дополнительные правила техники безопасности

1. **Осмотрите изделие на предмет поврежденных компонентов. В случае возникновения любой неисправности или нарушения нормальной работы немедленно прекратите использование данного коннектора.** В случае продолжения его использования возможны задымление/возгорание, поражение электрическим током и получение травм.
<Примеры неисправностей/отказов>
 - Нагревание кабеля или разъема до anomalно-мально высоких температур.
 - Наличие глубоких царапин или деформации.
 - Во время прикосновения к USB-кабелю проводники могут находиться или не находиться под напряжением.
 - Запаха гари.
 - Ощущение электрического воздействия.**Почувствовав любую неполадку, немедленно отсоедините источник питания от коннектора и обратитесь в авторизованный сервисный центр или сервисный центр предприятия Makita для проведения осмотра и ремонта.**
2. **Заметив любые неисправности, например выделение тепла от блока аккумулятора во время использования, немедленно извлеките блок аккумулятора и прекратите его использование.** Продолжение его использования может привести к задымлению, возгоранию или взрыву.
3. **Не храните и не используйте данный коннектор в местах, где температура может достигать или превышать 50 °C.** Храните его в безопасном месте, недоступном для детей. Существует опасность возникновения несчастного случая.
4. **Не прикасайтесь к разъемам мокрыми руками.** Существует опасность поражения электрическим током.
5. **Не бросайте данный коннектор.** Существует опасность нарушения нормальной работы.

СОХРАНИТЕ ЭТУ ИНСТРУКЦИЮ – эта инструкция содержит важные сведения о технике безопасности и эксплуатации данного коннектора. При передаче данного коннектора другому лицу настоящие руководство по эксплуатации следует передавать вместе с ним.

Правила техники безопасности в отношении радиоволн

1. Не используйте данное изделие вблизи электронных устройств с высокочастотными управляющими и слабосильными сигналами. (Примеры электронных устройств, требующих осторожности: слуховой аппарат, кардиостимулятор, другое медицинское оборудование, пожарная сигнализация, устройство автоматического открывания дверей и прочая аппаратура автоматического управления или контроля).
2. Излучение радиоволн данным изделием не гарантируется во всех средах. В следующих случаях радиоволны могут не достигать цели или прерываться.
 - При использовании данного изделия в зданиях и сооружениях, где используются бетон, арматура или металл.
 - При использовании данного изделия вблизи препятствий.
 - При создании данному изделию помех со стороны устройств беспроводной связи, использующих ту же частоту.
 - При использовании данного изделия вблизи оборудования, в частности микроволновых печей, создающего магнитное поле, статическое электричество или радиопомехи.

СООТВЕТСТВУЮЩИЕ ТОРГОВЫЕ МАРКИ И ЗАРЕГИСТРИРОВАННЫЕ ТОВАРНЫЕ ЗНАКИ



- Словесный знак и логотипы Bluetooth® являются зарегистрированными товарными знаками Bluetooth SIG, Inc., и любое использование таких знаков компанией Makita лицензировано. Другие торговые знаки и фирменные наименования принадлежат их соответствующим владельцам.
- Android и Google Play являются торговыми марками или зарегистрированными товарными знаками Google LLC.
- iPhone является товарным знаком Apple Inc., зарегистрированным в США и других странах.
- Товарный знак iPhone используется по лицензии от iPhone Co., Ltd.
- App Store является знаком обслуживания Apple Inc.
- Все остальные товарные знаки, упомянутые в настоящем документе, являются собственностью своих соответствующих владельцев. Обратите внимание, что в некоторых местах основного текста знаки ™ и ® опускаются.

ОПИСАНИЕ ДЕТАЛЕЙ

► Рис.2

1. **Кнопка**
2. **USB-порт**
Для связи с ПК. Не может использоваться для зарядки USB-устройств.

3. Статус

Световой индикатор	Статус
Не горит	Источник питания (блок аккумулятора/ USB) не подключен к данному коннектору.
Горит зеленым	Источник питания подключен к данному коннектору.
Мигает красным	Ошибка считывания/ загрузки данных

4. Режим

Подробная информация по каждому режиму представлена в веб-руководстве по приложению.

Световой индикатор	Режим
Не горит	Режим связи (общения)
Горит красным	Автономный режим (аккумулятор)
Горит зеленым	Автономный режим (инструмент)

5. USB-соединение

Световой индикатор	USB-соединение
Не горит	Приложение ПК не подключено к данному коннектору.
Горит зеленым	Приложение ПК подключено к данному коннектору.
Мигает зеленым (часто)	Обмен данными с приложением ПК

6. Bluetooth-соединение

Световой индикатор	Bluetooth-соединение
Не горит	Радиоволны не генерируются.
Горит синим	Соединение установлено.
Мигает синим	Радиоволны генерируются. (Соединение не установлено.)
Мигает синим (часто)	Обмен данными с приложением смартфона

ФУНКЦИОНАЛ ADP12

Подробная информация о порядке использования приложения представлена в веб-руководстве по приложению для ADP12. (См. рис.1.)

Функциональные возможности

- **Настройка защиты от кражи (PIN-код)**
Для каждого инструмента и блока аккумулятора может быть установлен PIN-код. Устройство работает только при правильном сочетании инструмента и блока аккумулятора с соответствующими PIN-кодами.
- **Настройка таймера аккумулятора**
Для аккумуляторных блоков может устанавливаться время/дата окончания срока службы согласно графику строительных работ, с тем чтобы блоки становились непригодными для использования после завершения строительных работ.
- **Сервисное обслуживание**
 - **Блок проверки инструмента**
Позволяет отображать статус инструмента и историю его эксплуатации.
 - **Блок проверки аккумулятора**
Позволяет отображать статус аккумулятора и историю его эксплуатации.
 - **Регистрация в блокноте**
Предусмотрена возможность регистрации символов в инструменте и блоке аккумулятора (возможное количество регистрируемых символов зависит от модели). Это используется в целях управления сменой инструмента и ведения статистики технического обслуживания.

ПРИМЕЧАНИЕ: Некоторые функциональные возможности недоступны в зависимости от инструмента.

ПРИМЕЧАНИЕ: В блоке проверки инструмента номер истории эксплуатации может отображаться даже при абсолютно новом инструменте из-за проверок на заводе-изготовителе и пр.

ПЕРЕД НАЧАЛОМ ИСПОЛЬЗОВАНИЯ

Установка приложения

- Приложение предоставляется бесплатно, но при его загрузке может взиматься отдельный коммуникационный сбор.
- Приложение предназначено исключительно для изделий Makita.
- Перед использованием приглашения необходимо согласиться с последней версией условий использования приложения. При первом запуске или установке приложения на экране отображается окно с условиями использования.
- Экран приложения может меняться или становиться недоступным без уведомления в связи с будущими обновлениями.

Для смартфонов/планшетов

Предварительная подготовка

Для использования приложения необходим смартфон/планшет (iOS или Android).

- iOS (iPhone): требуется операционная система iOS 13 или более поздней версии.
- Android: требуется операционная система Android версии 9,0 или более поздней. За некоторыми исключениями устройствам с ОС Android необходимо разрешать использование информации о местоположении для Bluetooth-соединений.

Установка приложения

1. Выполните поиск "Makita Tool Management" в App Store или Google Play. Имеется также возможность доступа по QR-коду, представленному на следующем рисунке.

Сайт загрузки приложения на смартфон

► Рис.3

2. Установите приложение. На начальном экране создается значок "Makita Tool Management".

Для ПК

Системные требования

Для использования приложения ПК должен удовлетворять следующим требованиям.

- ОС: Windows 10 или Windows 11

Установка приложения

1. Перейдите по URL-адресу, указанному на следующем рисунке.

Сайт загрузки приложения на ПК

► Рис.4

2. Загрузите "MakitaToolManagementSetup_EN_v1020.exe" и установите приложение.

Подключение ПК

Перед запуском приложения подсоедините данный коннектор к ПК.

► Рис.5

ПРИМЕЧАНИЕ: Не отсоединяйте USB-кабель в то время, когда индикатор USB-соединения данного коннектора мигает.

Установка блока аккумулятора/ инструмента

Дополнительные принадлежности

Перед запуском приложения установите блок аккумулятора и инструмент на данный коннектор.

Установка или снятие блока аккумулятора

▲ВНИМАНИЕ: Обязательно устанавливайте блок аккумулятора до упора, чтобы красный индикатор не был виден. В противном случае он может случайно выпасть из данного коннектора, причинив травму вам или кому-либо из окружающих.

▲ВНИМАНИЕ: Соблюдайте осторожность, чтобы не прищемить палец между блоком аккумулятора и разъемами.

ПРИМЕЧАНИЕ: Зарядите блок аккумулятора перед началом использования. Блок аккумулятора, не имеющий остаточной емкости, использоваться не может.

ПРИМЕЧАНИЕ: При снятии блока аккумулятора убедитесь в том, что установленный инструмент вставлен до упора и отсутствует связь с приложением. В противном случае возможно нарушение нормальной работы.

Для установки блока аккумулятора совместите выступ блока аккумулятора с пазом в корпусе и задвиньте его на место. Вставляйте блок до упора, чтобы он зафиксировался с легким щелчком. Если виден красный индикатор, как показано на рисунке, это означает, что он не зафиксирован полностью. Для снятия блока аккумулятора сдвиньте кнопку на его лицевой стороне и извлеките блок из данного коннектора.

► **Рис.6:** 1. Красный индикатор 2. Кнопка 3. Блок аккумулятора

Установка или снятие инструмента

▲ВНИМАНИЕ: Не кладите палец на переключатель инструмента. В противном случае непреднамеренный запуск может привести к получению травмы.

ПРИМЕЧАНИЕ: При установке или снятии инструмента убедитесь в том, что установленный инструмент вставлен до упора. В противном случае возможно нарушение нормальной работы.

ПРИМЕЧАНИЕ: При снятии инструмента убедитесь в отсутствии связи с приложением. В противном случае возможно нарушение нормальной работы.

ПРИМЕЧАНИЕ: Инструмент не придет в движение с прикрепленным к нему коннектором.

Для установки инструмента совместите выступ данного коннектора с пазом в корпусе и задвиньте его на место. Вставляйте блок до упора, чтобы он зафиксировался с легким щелчком.

Для снятия инструмента отодвиньте его от данного коннектора, сдвинув кнопку на лицевой стороне последнего.

► **Рис.7**

ПОИСК И УСТРАНЕНИЕ НЕИСПРАВНОСТЕЙ

Перед ремонтом проверьте следующее.

Состояние неисправности	Возможная причина (неисправности)	Способ устранения
Коннектор не включается. Световой индикатор статуса не горит.	Низкий уровень остаточной емкости аккумулятора.	Зарядите блок аккумулятора.
	Неправильно установлен блок аккумулятора.	Снимите блок аккумулятора один раз. Повторно установите блок аккумулятора, как описано в настоящем руководстве.
Световой индикатор статуса мигает красным.	Неправильно установлен инструмент.	Снимите инструмент один раз. Повторно установите инструмент, как описано в настоящем руководстве.
	Неправильно установлен блок аккумулятора.	Снимите блок аккумулятора один раз. Повторно установите блок аккумулятора, как описано в настоящем руководстве.
Коннектор не может установить соединение со смартфоном/планшетом.	Слабый сигнал.	Расположите смартфон/планшет ближе к коннектору.
	Bluetooth-соединение смартфона/планшета отключено.	Активируйте Bluetooth-соединение смартфона/планшета.
USB-соединение с ПК не работает.	USB-кабель не вставлен надлежащим образом.	Убедитесь в том, что USB-кабель плотно вставлен в USB-порт.
	Кабель разомкнут.	Используйте другой USB-кабель.
	Не соответствует установленным техническим требованиям.	Используйте USB-кабель, предусмотренный в настоящем руководстве. См. раздел, посвященный техническим характеристикам.

Если проблема осталась нерешенной даже после принятия вышеперечисленных мер, то возможна неисправность коннектора. Обратитесь в авторизованный сервисный центр Makita.

ОБСЛУЖИВАНИЕ

⚠ ВНИМАНИЕ: Перед проведением проверки или работ по техобслуживанию всегда проверяйте, что инструмент выключен, а блок аккумуляторов снят.

ПРИМЕЧАНИЕ: Не мойте коннектор водой. Существует опасность нарушения нормальной работы.

ПРИМЕЧАНИЕ: Периодически протирайте внешнюю часть данного коннектора с помощью тряпки, смоченной в мыльной воде.

ПРИМЕЧАНИЕ: Запрещается использовать бензин, растворители, спирт и другие подобные жидкости. Это может привести к обесцвечиванию, деформации и трещинам.

Для обеспечения БЕЗОПАСНОСТИ и НАДЕЖНОСТИ оборудования ремонт, любое другое техобслуживание или регулировку необходимо производить в уполномоченных сервис-центрах Makita или сервис-центрах предприятия с использованием только сменных частей производства Makita.

ТЕХНИКАЛЫҚ СИПАТТАМАЛАРЫ

Үлгі:		ADP12	
Қолдануға болатын аккумулятор картриджі		BL4020 / BL4025 / BL4040 / BL4050F / BL4080F	
Өлшемдері (Ұ x Е x Б) (Аккумуляторсыз және құралсыз)		98 мм x 85 мм x 55 мм	
Таза салмағы (Аккумуляторсыз және құралсыз)		0,17 кг	
Bluetooth	Bluetooth® нұсқасы	5,1 (Bluetooth low energy (Bluetooth төмен қуаты))	
	Беріліс ауқымы	Шамамен 10 м	
	Жілілік ауқымы	2 402 МГц–2 480 МГц	
	Максималды радиожілілік қуаты	0,11 дБм (EIRP)	

- Зерттеу мен әзірлеудің үздіксіз бағдарламасына байланысты осы құжаттағы техникалық сипаттамалар ескертусіз өзгертілуі мүмкін.
- Техникалық сипаттамалары әр елде әр түрлі болуы мүмкін.
- Жоғарыда берілген аккумулятор картридждерінің кейбірі тұрып жатқан аймағыңызда қолжетімді болмауы мүмкін.

Қолданылатын USB кабелі

USB C түріндегі клеммаға сәйкес келетін USB кабелін пайдаланыңыз.

USB-IF мақұлдаған және ұзындығы шамамен 1,8 м дейінгі қорғаныс экраны бар USB кабелін пайдалануға кеңес береміз.

Пайдалануға болатын сымдық қуат көзі

Сымдық қуат көзі сәйкес келе ме, жоқ па, оның қандай құралмен пайдаланылатынына байланысты. Құралдың техникалық сипаттамасын қараңыз.

Үйлесімді емес құралдар туралы хабарландыру

Кейбір құралдар бұл жалғағышпен үйлесімді емес. Арнайы модель нөмірлерін суреттегі веб-нұсқаулықтан қараңыз.

ADP12 қолданбасы бойынша веб-нұсқаулық ► Сурет1

Белгілер

Төменде жабдықта пайдаланылуы мүмкін белгілер көрсетілген. Пайдалану алдында олардың мағынасын түсініп алыңыз.



Пайдалану жөніндегі нұсқаулықты оқып шығыңыз.



Тек бөлме ішінде пайдалануға арналған.



Ni-MH
Li-ion

Тек ЕО елдеріне арналған Жабдықта қауіпті құрамдастардың болуына байланысты, электрлік және электрондық жабдықтардың, аккумуляторлар мен батареялардың қалдықтары қоршаған ортаға және адам денсаулығына кері әсерін тигізуі мүмкін. Электрлік және электрондық құрылғыларды немесе батареяларды тұрмыстық қалдықтармен бірге тастауға болмайды!

Электрлік және электрондық жабдықтардың қалдықтары және аккумуляторлар мен батареялар және аккумуляторлар мен батареялардың қалдықтары, сондай-ақ олардың ұлттық заңнамаға бейімделуі туралы Еуропалық директиваға сәйкес, электрлік жабдықтардың, батареялардың және аккумуляторлардың қалдықтары бөлек жиналуы және қоршаған ортаны қорғау ережелеріне сәйкес жұмыс істейтін тұрмыстық қалдықтарды жинау пунктіне жеткізілуі керек. Бұл жабдықта орналастырылған айқас сызықпен сызылған дөңгелекті қоқыс жәшігінің белгісі арқылы көрсетіледі.

Техникалық регламенттердің талаптарына сәйкестік туралы декларациялар

Тек Еуропа елдеріне арналған

Сәйкестік декларациялары осы пайдалану жөніндегі нұсқаулықтың А қосымшасына қосылған.

ҚАУІПСІЗДІК БОЙЫНША ЕСКЕРТУЛЕР

Жалғағышты пайдаланбас бұрын, барлық нұсқауларды және осы жалғағыштағы, аккумулятор картриджіндегі және осы жалғағышты пайдаланатын өнімдегі барлық ескерту белгілерін оқып шығыңыз. Қауіпсіздік техникасы бойынша барлық ескертулер мен нұсқауларды орындаңыз. Төменде берілген барлық ескертулер мен нұсқауларды орындамау электр тогының соғуына, өрт шығуына және/немесе ауыр жарақат алуға себеп болуы мүмкін.

Жұмыс аймағындағы қауіпсіздік

1. Жалғағышты жаңбыр, қар немесе ылғалды жағдай әсерінде қалдырмаңыз. Әйтпесе жалғағыштың ішіне су кіріп, электр тогының соғуына немесе қысқа тұйықталуға әкелуі мүмкін.
2. Жалғағышты айналасында тез тұтанатын сұйықтықтар, газдар немесе шаң сияқты заттардан тұратын жарылыс қаупі бар орталарда пайдаланбаңыз. Жарылыс немесе өрт қаупі.

Электрлік қауіпсіздік

1. USB C түріндегі клеммаға сәйкес келетін USB кабелін пайдаланыңыз. USB кабелін өзгертеңіз. Әйтпесе, ақау орын алуы мүмкін.
2. Клемманы қысқа тұйықтауға болмайды. Клемманы бір клемманы екіншісіне қосуы мүмкін инелер немесе сымдар сияқты басқа металл заттардан аулақ ұстаңыз. Клеммалардың қысқа тұйықталуы салдарынан адам күйіп қалуы мүмкін немесе өрт шығуы мүмкін.
3. Жалғағышты тек қана көрсетілген аккумулятор блоктарымен бірге пайдаланыңыз. Өзгертілген аккумуляторды пайдаланбаңыз. Кез келген басқа аккумулятор блогын пайдалану салдарынан адам жарақат алуы мүмкін және өрт шығуы мүмкін.

Қызмет көрсету

1. Жалғағышты білікті маманға жөндеуіп алыңыз, ол тиісті қосалқы бөлшектерді пайдалануы керек. Осылайша жалғағыштың қауіпсіздігі сақталады. Жалғағышты бөлшектемеңіз немесе өз бетінше ашып жөндемеңіз. Бұл өрт шығу, шамадан тыс қызу немесе жарылу жағдайларына алып келуі мүмкін. Осы жалғағышта қандай да бір ауытқуды байқасаңыз, оны тексеру және жөндеу үшін Makita компаниясының уәкілетті немесе зауыттық қызмет көрсету орталықтарына жіберіңіз. Егер білімі мен дағдылары жоқ адам бұл өнімді жөндесе, ол дұрыс жұмыс істемейді, сонымен қатар апат немесе жарақат алу қаупі туындайды.

Қауіпсіздік техникасы бойынша қосымша ескертулер

1. Жалғағышты тексеріп, зақымдалған бөлшектердің бар-жоғын анықтаңыз. Қандай да бір ауытқулар немесе ақаулар болса, жалғағышты пайдалануды дереу тоқтатыңыз. Оны пайдалануды жалғастырасаңыз, түтін/өрт шығуы, электр тогы соғуы және адамдар жарақат алуы мүмкін. <Ауытқушылық пен ақаудың мысалдары>
 - Кабель немесе клемма өте ыстық.
 - Терең сызаттар немесе деформация бар.
 - USB кабелін ұстаған кезде, өткізгіштер кернеу астында болуы немесе болмауы мүмкін.
 - Күйік иісі шығады.
 - Электр тогына тиген кезде пайда болатын сезім бар.

- Қандай да бір ақауларды сезсеңіз, қуат көзін жалғағыштан дереу ажыратып, тексеру және жөндеу үшін уәкілетті Makita қызмет көрсету орталығына немесе зауыттық қызмет көрсету орталықтарына хабарласыңыз.
2. Пайдалану кезінде аккумулятор картриджінде жылу пайда болуы сияқты ақауларды байқасаңыз, аккумулятор картриджін дереу алып тастап, пайдалануды тоқтатыңыз. Өрі қарай пайдалану түтін шығуға, өртеке немесе жарылысқа әкелуі мүмкін.
 3. Жалғағышты температурасы 50 °C шамасынан асатын жерлерде сақтамаңыз және пайдаланбаңыз. Жалғағышты құрғақ және балалардың қолы жетпейтін жерде сақтаңыз. Апат қаупі бар.
 4. Клеммаларды су қолыңызбен ұстамаңыз. Электр тогының соғу қаупі бар.
 5. Жалғағышты түсіріп алмаңыз. Ақаулық туындау қаупі бар.

ОСЫ НҰСҚАУЛАРДЫ САҚТАҢЫЗ – бұл нұсқаулық жалғағыш бойынша маңызды қауіпсіздік және пайдалану нұсқауларын қамтиды. Жалғағышты уақытша берген кезде, осы пайдалану нұсқаулығын қоса беріңіз.

Радиотолқындарға қатысты қауіпсіздік ескертулері

1. Бұл өнімді жоғары дәлдікпен басқарылатын және әлсіз сигналдары бар электрондық құрылғылардың жанында пайдаланбаңыз. (Сақтықты қажет ететін электрондық құрылғылардың мысалдары: Есту аппараты, кардиостимулятор, басқа медициналық жабдықтар, өрт дабылы, автоматты есік және басқа да автоматты басқару жабдықтары).
2. Бұл өнімнің радиотолқыны барлық ортада болатынына кепілдік берілмейді. Келесі жағдайларда радиотолқын жетпеуі немесе радиотолқын үзілуі мүмкін.
 - Бұл өнімді бетон, арматура немесе металл пайдаланылған ғимараттарда пайдаланған кезде.
 - Бұл өнімді кедергілердің жанында пайдаланған кезде.

- Бұл өнім бірдей жиілікті пайдаланатын сымсыз байланыс құрылғыларына кедергі жасағанда.
- Бұл өнімді магнит өрісі, статикалық электр тоғы немесе радиокедергі тудыратын микротолқынды пештер сияқты жабдықтың жанында пайдаланған кезде.

ТИІСТІ САУДА БЕЛГІЛЕРІ ЖӘНЕ ТІРКЕЛГЕН САУДА БЕЛГІЛЕРІ



- Bluetooth® тауар белгісі мен логотиптері – Bluetooth SIG, Inc. компаниясына тиесілі тіркелген сауда белгілері және бұл белгілердің Makita тарапынан пайдаланылуы лицензия арқылы жүзеге асырылады. Басқа сауда белгілері мен сауда атаулары тиісті иегерлердің меншігі болып табылады.
- Android және Google Play – Google LLC компаниясының сауда белгілері немесе тіркелген сауда белгілері.
- iPhone – Apple Inc. компаниясының АҚШ-та және басқа елдерде тіркелген сауда белгісі.
- iPhone сауда белгісі Aiphone Co., Ltd компаниясының лицензиясы бойынша пайдаланылады.
- App Store – Apple Inc компаниясының қызмет көрсету белгісі.
- Осы құжаттағы барлық басқа сауда белгілері олардың тиісті иелерінің меншігі болып табылады. ™ және © белгілері негізгі мәтіннің кейбір бөліктерінде алынып тасталғанына назар аударыңыз.

БӨЛШЕКТЕР СИПАТТАМАСЫ

► Сурет2

1. **Түйме**
2. **USB порты**
Дербес компьютермен байланысу үшін. USB құрылғыларын зарядтау үшін пайдалану мүмкін емес.
3. **Күй**

Шам	Күй
Өшірулі	Қуат көзі (аккумулятор картриджі/USB) жалғағышқа қосылмаған.
Жасыл түспен жанады	Қуат көзі жалғағышқа қосылған.
Қызыл түспен жыпылықтайды	Деректерді оқу/жүктеу қатесі

4. **Режим**
Әрбір режим туралы мәліметтер алу үшін қолданбаның веб-нұсқаулығын қараңыз.

Шам	Режим
Өшірулі	Байланыс (Comm) режимі
Қызыл түспен жанады	Автономды режим (аккумулятор)
Жасыл түспен жанады	Автономды режим (құрал)

5. USB қосылымы

Шам	USB қосылымы
Өшірулі	Дербес компьютердегі қолданба осы жалғағышқа қосылмаған.
Жасыл түспен жанады	Дербес компьютердегі қолданба жалғағышқа қосылған.
Жасыл түспен жыпылықтайды (жылдам)	Дербес компьютердегі қолданбамен байланысуда

6. Bluetooth қосылымы

Шам	Bluetooth қосылымы
Өшірулі	Радиотолқын жасалмайды.
Көк түспен жанады	Қосылым орнатылды.
Көк түспен жыпылықтайды	Радиотолқын жасалады. (Қосылым орнатылмады.)
Көк түспен жыпылықтайды (жылдам)	Смартфон қолданбасымен байланысуда

ADP12 КӨМЕГІМЕН НЕ ІСТЕУГЕ БОЛАДЫ?

Қолданбаны пайдалану туралы толық ақпарат алу үшін ADP12 қолданбасының веб-нұсқаулығын қараңыз. (1-суретті қараңыз.)

Мүмкіндіктері

- **Ұрлыққа қарсы параметр (PIN коды)**
Әрбір құрал мен аккумулятор картриджі үшін PIN кодын орнатуға болады. Тек сәйкес келетін PIN коды бар құрал мен аккумулятор картриджінің тіркесімін ғана пайдалануға болады.
- **Аккумулятор таймерін орнату**
Аккумулятор картриждері үшін жарамдылық мерзімін/күнін құрылыс кестесіне сәйкес орнатуға болады, осылайша картриждер құрылыс аяқталғаннан кейін пайдаланылмайды.

• Қызметтік көмек

- **Құралды тексеру құралы**
Құрал күйі мен жұмыс тарихын көрсетуге болады.
- **Аккумуляторды тексеру құралы**
Аккумулятор күйі мен жұмыс тарихын көрсетуге болады.
- **Блокнотта тіркеу**
Құрал мен аккумулятор картриджінде таңбаларды тіркеуге болады (тіркелетін таңбалар саны моделіне байланысты). Ол құралды басқару және техникалық қызмет көрсету тарихы үшін пайдаланылады.

ЕСКЕРТПЕ: Кейбір мүмкіндіктер құралға байланысты қолжетімді емес.

ЕСКЕРТПЕ: Құралды тексеру құралында жұмыс тарихының саны зауыттық тексерістерге және т.б. байланысты мүлдем жаңа құралмен бірге көрсетілуі мүмкін.

ПАЙДАЛАНУ АЛДЫНДА

Қолданбаны орнату

- Қолданба тегін, бірақ жүктеп алу кезінде бөлек байланыс ақысы алынуы мүмкін.
- Қолданба тек Makita өнімдеріне арналған.
- Қолданбаны пайдалану шарттарының соңғы нұсқасымен келіскеннен кейін қолданбаны пайдаланыңыз. Қолданбаны бірінші рет іске қосқанда немесе орнатқанда, пайдалану шарттарын көрсететін экран пайда болады.
- Қолданба экраны болашақ жаңартуларға байланысты ескертусіз өзгертілуі немесе қолжетімді болмауы мүмкін.

Смартфондар/планшеттер үшін

Алдын ала дайындық

Қолданбаны пайдалану үшін смартфон/планшет (iOS немесе Android) қажет.

- iOS (iPhone): iOS 13 немесе одан кейінгі нұсқасы қажет.
- Android: Android Version 9,0 немесе одан кейінгі нұсқасы қажет. Кейбір ерекшеліктерді қоспағанда, Android құрылғылары Bluetooth қосылымдары үшін орналасқан жер туралы ақпаратты пайдалануға рұқсат беруі керек.

Қолданбаны орнату

1. App Store немесе Google Play дүкенінен "Makita Tool Management" деген қолданбаны іздеңіз. Сондай-ақ, оған келесі суреттегі QR коды арқылы қол жеткізуге болады.

Смартфон қолданбасын жүктеп алу сайты

► Сурет3

2. Қолданбаны орнатыңыз. Негізгі экранда "Makita Tool Management" ("Makita құралын басқару") белгішесі жасалады.

Дербес компьютер үшін

Жүйеге қойылатын талаптар

Қолданбаны пайдалану үшін дербес компьютер келесі талаптарға сай болуы керек.

- Операциялық жүйе: Windows 10 немесе Windows 11

Қолданбаны орнату

1. Келесі суретте көрсетілген URL мекенжайына өтіңіз.

Компьютер қолданбасын жүктеп алу сайты

► Сурет4

2. "MakitaToolManagementSetup_EN_v1020.exe" атты файлды жүктеп алып, қолданбаны орнатыңыз.

Дербес компьютерді жалғау

Қолданбаны іске қоспас бұрын, осы жалғағышты дербес компьютерге қосыңыз.

► Сурет5

HAZAP САЛЫҢЫЗ: Осы жалғағыштың USB қосылым шамы жыпылықтап тұрғанда, USB кабелін ажыратпаңыз.

Аккумулятор картриджін/құралды орнату

Қосымша керек-жарақ

Қолданбаны іске қоспас бұрын, аккумулятор картриджін және құралды осы жалғағышқа орнатыңыз.

Аккумулятор картриджін орнату немесе алу

▲САҚ БОЛЫҢЫЗ: Аккумулятор картриджін міндетті түрде қызыл индикатор көрінбейтіндей етіп толық орнату керек. Өйтпесе, ол жалғағыштан абайсызда түсіп кетіп, сізді немесе қасыңыздағы адамды жарақаттауы мүмкін.

▲САҚ БОЛЫҢЫЗ: Аккумулятор картриджі мен клеммалар арасында саусағыңызды қысып алмау үшін абайлап жұмыс істеңіз.

HAZAP САЛЫҢЫЗ: Пайдаланудан бұрын аккумулятор картриджін зарядтаңыз. Қалған сыйымдылығы жоқ аккумулятор картриджін пайдалануға болмайды.

HAZAP САЛЫҢЫЗ: Аккумулятор картриджін алып тастаған кезде, орнатылған құралдың толығымен тоқтатылғанына және қолданбамен байланыс жоқ екеніне көз жеткізіңіз. Өйтпесе, ақау орын алуы мүмкін.

Аккумулятор картриджін орнату үшін аккумулятор картриджіндегі тілшені корпустың ойыққа туралап, картриджді орнына сырғытып салыңыз. Сырт еткен дыбыс естілгенше, орнына итеріп салыңыз. Егер суретте көрсетілгендей қызыл индикатор көрініп тұрса, ол толығымен құлыпталмағанын білдіреді. Аккумулятор картриджін алу үшін картридждің алдыңғы жағындағы түймені сырғытып, оны жалғағыштан сырғытып шығарып алыңыз.

- Сурет6: 1. Қызыл индикатор 2. Түйме 3. Аккумулятор картриджі

Құралды орнату немесе алып тастау

▲САҚ БОЛЫҢЫЗ: Саусағыңызды құралдың ауыстырып-қосқыш шүріппесіне қоймаңыз. Өйтпесе, байқаусызда іске қосу жарақатқа әкелуі мүмкін.

НАЗАР САЛЫҢЫЗ: Құралды орнатқанда немесе алып тастағанда, орнатылған құрал толығымен тоқтатылғанына көз жеткізіңіз. Өйтпесе, ақау орын алуы мүмкін.

НАЗАР САЛЫҢЫЗ: Құралды алып тастаған кезде, қолданбамен байланыс жоқ екеніне көз жеткізіңіз. Өйтпесе, ақау орын алуы мүмкін.

ЕСКЕРТПЕ: Құрал осы жалғағыш қосылған кезде қозғалмайды.

Құралды орнату үшін, жалғағыштағы тілшені корпусты ойықпен туралап, оны орнына сырғытып салыңыз. Сырт еткен дыбыс естілгенше, орнына итеріп салыңыз.

Құралды алу үшін, жалғағыштың алдыңғы жағындағы түймені сырғытып, оны жалғағыштан сырғытып шығарып алыңыз.

► **Сурет7**

АҚАУЛЫҚТАРДЫ ЖОЮ

Жөндеуге тапсырмас бұрын, келесі тармақтарды тексеріңіз.

Ақаулы күйі	Ықтимал себебі (ақаулық)	Шешім
Жалғағышты қосу мүмкін емес. Күй шамы жанбайды.	Аккумулятордың қалған қуаты аз.	Аккумулятор картриджін зарядтаңыз.
	Аккумулятор картриджі тиісті түрде орнатылмаған.	Аккумулятор картриджін дереу шығарып алыңыз. Аккумулятор картриджін осы нұсқаулықта көрсетілгендей қайта орнатыңыз.
Күй шамы қызыл түсті болып жыпылықтайды.	Құрал дұрыс орнатылмаған.	Құралды дереу шешіп алыңыз. Құралды осы нұсқаулықта көрсетілгендей қайта орнатыңыз.
	Аккумулятор картриджі тиісті түрде орнатылмаған.	Аккумулятор картриджін дереу шығарып алыңыз. Аккумулятор картриджін осы нұсқаулықта көрсетілгендей қайта орнатыңыз.

Ақаулы күйі	Ықтимал себебі (ақаулық)	Шешім
Жалғағыш пен смартфон/планшет арасында байланыс орнату мүмкін емес.	Сигнал әлсіз.	Смартфонды/планшетті жалғағышқа жақынырақ қойыңыз.
	Смартфонның/планшеттің Bluetooth қосылымы өшірілген.	Смартфонның/планшеттің Bluetooth қосылымын іске қосыңыз.
Дербес компьютермен USB арқылы орнатылған қосылым жұмыс істемейді.	USB кабелі дұрыс жалғанбаған.	USB кабелінің USB портына мықтап жалғанғанына көз жеткізіңіз.
	Кабель үзілген.	Басқа USB кабелін пайдаланыңыз.
	USB кабелі техникалық сипаттамаға сәйкес емес.	Осы нұсқаулықта көрсетілген USB кабелін пайдаланыңыз. Техникалық сипаттамаларға арналған бөлімді қараңыз.

Жоғарыда көрсетілген шараларды орындағаннан кейін де ақауды жою мүмкін болмаса, жалғағыш ақаулы болуы мүмкін. Makita компаниясының өкілетті қызмет көрсету орталықтарына хабарласыңыз.

ТЕХНИКАЛЫҚ ҚЫЗМЕТ КӨРСЕТУ

▲САҚ БОЛЫҢЫЗ: Тексеру немесе техникалық қызмет көрсету жұмыстарын жүргізуге әрекеттенбес бұрын, әрдайым құралдың өшірулі екендігіне және аккумулятор картриджінің алынғанына көз жеткізіңіз.

НАЗАР САЛЫҢЫЗ: Жалғағышты сумен жууға болмайды. Ақаулық туындау қаупі бар.

НАЗАР САЛЫҢЫЗ: Ара-тұра осы жалғағыштың сыртын сабынды суға малынған шүберекпен сүртіп тұрыңыз.

НАЗАР САЛЫҢЫЗ: Жанармайды, бензинді, сұйылтқышты, спиртті немесе соған ұқсас заттарды ешқашан пайдаланбаңыз. Нәтижесінде түссіздену, бүліну немесе жарықтар пайда болуына әкелуі мүмкін.

Өнімнің ҚАУІПСІЗДІГІ мен СЕНІМДІЛІГІН қамтамасыз ету үшін, жөндеу жұмыстары, кез келген басқа техникалық қызмет көрсету немесе реттеу әрдайым Makita қосалқы бөлшектерін пайдалану арқылы Makita компаниясының өкілетті немесе зауыттық қызмет көрсету орталықтары тарапынан орындалуы керек.

規格

型號：	ADP12	
適用的電池組	BL4020 / BL4025 / BL4040 / BL4050F / BL4080F	
尺寸 (長 × 寬 × 高) (不含電池及工具)	98 mm x 85 mm x 55 mm	
淨重 (不含電池及工具)	0.17 kg	
藍牙	Bluetooth® 版本	5.1 (低功耗藍牙)
	傳輸範圍	約 10 m
	頻帶	2,402 MHz - 2,480 MHz
	最大射頻功率	0.11 dBm (EIRP)

- 生產者保留變更規格不另行通知之權利。
- 規格可能因銷往國家之不同而異。
- 上述部分電池組可能會因居住地區而無法使用。

適用的 USB 纜線

使用符合 USB Type-C 端子的 USB 纜線。建議使用含屏蔽、獲 USB-IF 核可及最長長度約 1.8 m 的 USB 纜線。

適用的電纜連接式電源

不論連接電源的線材是否適用，都要視搭配使用的工具而定。請參閱工具規格。

不相容工具通知

部分工具不相容於此連接器。請參閱圖中的網頁手冊，瞭解指定型號資訊。

ADP12 應用程式網頁手冊

► 圖片 1

符號

以下顯示本設備可能使用的符號。在使用工具前，請務必理解其涵義。



請仔細閱讀使用說明書。



僅供室內使用。



僅用於歐盟國家
由於本設備中存有危險組件，廢棄電氣與電子設備、蓄電池與電池可能會對環境與人體健康產生負面影響。請勿將電氣與電子器具或電池和家庭廢棄物一同處理！根據針對廢棄電氣與電子設備、蓄電池與電池及廢棄蓄電池與電池制訂的歐洲指令及其對本國法律的修改版，應依照環境保護法規個別存放廢棄電氣設備、電池與蓄電池，並將其送至都市垃圾獨立回收點。這類設備會在設備上以打叉的滑輪垃圾桶作為符號標示。

符合性聲明

僅用於歐洲國家

符合性聲明隨附於本使用說明書的附錄 A。

安全警告

使用此連接器之前，請閱讀本連接器、電池組和使用此連接器的產品上的所有指示說明和警告標識。請遵守下列安全警告以及安全事項。若未遵守下列警告和安全事項，可能會導致觸電、火災和/或嚴重受傷。

工作場地安全

1. 請勿將此連接器暴露於雨、雪或潮濕的環境中。否則水分可能會進入本連接器且造成觸電或短路。
2. 請勿在爆炸性氣體中操作本連接器，例如有可燃液體、氣體或粉塵的環境。爆炸或起火風險。

電氣安全

1. 使用符合 USB Type-C 端子的 USB 纜線。請勿修改 USB 纜線。否則可能會發生故障。
2. 請勿讓端子短路。將端子遠離其他金屬物體，如可使端子短路的針或鋼絲。讓端子短路可能會造成灼傷或起火。
3. 本連接器僅可使用指定電池組。請勿使用修改過的電池。使用任何其他電池組可能會造成人員受傷及火災。

維修

1. 將本連接器送交專業維修人員修理，必須僅使用相同的備件進行更換。如此可確保維持本連接器的安全性。請勿拆解或改裝本連接器。以免引發火災、過熱或爆炸。
若您注意到本連接器發生任何異常，請送回 Makita（牧田）授權或工廠維修服務中心進行檢查與維修。
若由不具維修知識和技能的人員維修本產品，不僅無法充分發揮功能，也會有意外或受傷的危險性。

附加安全警告

1. 檢查是否有部件受損。若發現任何異常或故障情形，立即停止使用本連接器。若您繼續使用，可能會冒煙/起火、觸電及人員受傷。
<異常/失效範例>
 - 纜線或端子異常過熱。
 - 刮痕過深或變形。
 - 觸摸 USB 纜線時，導體可能或無法通電。
 - 出現燒焦味。
 - 有觸電感。

若您認為有任何問題，請立即從連接器斷開電源，並聯絡 Makita（牧田）授權或工廠維修服務中心進行檢查與維修。

2. 若您注意到任何異常狀況，如在使用期間電池組發熱，請立即取下並停止使用電池組。繼續使用可能會造成冒煙、起火或爆炸。
3. 請勿在溫度可能達到或超過 50 °C (122 °F) 的場所存放並使用本連接器。
請存放在乾燥且兒童無法觸及的地方。有發生意外的風險。
4. 請勿用濕手直接觸碰端子。觸電風險。
5. 請勿讓本連接器掉落。故障風險。

妥善保存此說明一本手冊含本連接器的重要安全及操作說明。

借出本連接器時，請務必附上本使用說明書。

無線電電波安全警告

1. 請勿在配備高精度控制和微弱訊號的電子裝置附近使用本產品。（需注意的電子裝置範例：助聽器、心律調整器、其他醫療器材、火災警報器、自動門與其他自動控制設備。）
2. 不保證本產品的無線電電波適用在所有環境中。在下列情況下，無線電電波可能無法接收或無線電電波可能會中斷。
 - 在以混凝土、鋼筋或金屬建造的建築物中使用本產品時。
 - 在障礙物附近使用本產品時。
 - 本產品遭使用相同頻率的無線通訊裝置干擾時。
 - 在如微波爐等產生磁場、靜電或無線電干擾的設備附近使用本產品時。

個別商標及註冊商標



- Bluetooth® 字樣與標誌為 Bluetooth SIG, Inc. 所有之註冊商標，Makita（牧田）所使用的任何標誌皆經過授權。其他商標及商號為其各別所有人擁有。
- Android 及 Google Play 皆為 Google LLC. 的商標或註冊商標。
- iPhone 是 Apple Inc., 在美國及其他國家註冊的商標。

- 使用的 iPhone 商標皆獲得 Aiphone Co., Ltd. 授權。
- App Store 為 Apple Inc. 的服務標章。
- 本文件中的所有其他商標皆為個別擁有者之財產。
請注意，在部分內文中會忽略 ™ 和 © 標誌。

部件說明

► 圖片2

1. 按鈕
2. **USB 連接埠**
用於與 PC 通訊。無法用於為 USB 裝置充電。
3. 狀態

燈	狀態
熄滅	電源（電池組／USB）未連接至此連接器。
亮綠色	連接電源至此連接器。
閃爍紅色	資料讀取／載入錯誤

4. **模式**
如需各模式的詳細資訊，請參閱應用程式網頁手冊。

燈	模式
熄滅	通訊 (Comm) 模式
亮紅色	獨立模式（電池）
亮綠色	獨立模式（工具）

5. USB 連線

燈	USB 連線
熄滅	PC 應用程式未連接至此連接器。
亮綠色	PC 應用程式連接至此連接器。
閃爍綠色（快速）	與 PC 應用程式通訊

6. 藍牙連線

燈	藍牙連線
熄滅	未產生無線電電波。
亮藍色	建立連線。
閃爍藍色	產生無線電電波。（未建立連線。）
閃爍藍色（快速）	與智慧型手機應用程式通訊

ADP12 的作用

如需使用本應用程式方式的詳細資訊，請參閱 ADP12 應用程式網頁手冊。（請參閱圖 1。）

功能

- **防盜設定 (PIN 碼)**
您可設定各工具及電池組的 PIN 代碼。僅能使用相符 PIN 碼的工具及電池組組合。
- **電池計時器設定**
可依建構排程設定電池組的到期時間／日期，讓電池組無法在完成建構後使用。
- **服務協助**
 - **工具檢測器**
可顯示工具狀態及操作歷史。
 - **電池檢測器**
可顯示電池狀態及操作歷史。
 - **記事本登錄**
您可在工具及電池組中登錄字元（可登錄的字元數視型號而定）。此功能用於工具管理及維護歷史紀錄。

注：視工具而定，可能不提供某些功能。

注：在工具檢測器中，由於進行原廠檢測等，即使是全新的工具也會顯示操作歷史紀錄筆數。

使用前

安裝應用程式

- 本應用程式完全免費，但在下載時可能需收取另外的通訊費用。
- 本應用程式專供 Makita（牧田）產品使用。
- 請在同意最新版本的應用程式使用條款後，使用本應用程式。在一開始啟動或安裝應用程式時，將顯示使用條款畫面。
- 應用程式畫面可能會因更新而在未事先通知的情況下變更或無法使用。

智慧型手機／平板電腦須知

事前準備工作

需配備智慧型手機／平板電腦（iOS 或 Android）才能使用本應用程式。

- iOS (iPhone)：需 iOS 13 以上。
- Android：需 Android 版本 9.0 以上。
在某些例外中，Android 裝置需允許藍牙連線使用位置資訊。

安裝應用程式

1. 在 App Store 或 Google Play 上搜尋「Makita Tool Management」。
您也可從下圖中的 QR 碼存取。

智慧型手機應用程式下載網站

► 圖片3

2. 安裝應用程式。將在主畫面上建立一個「Makita Tool Management」圖示。

PC 須知

系統需求

PC 必須滿足下列需求才能使用本應用程式。

- 作業系統：Windows 10 或 Windows 11

安裝應用程式

1. 存取下圖所示的網址。

PC 應用程式下載網站

► 圖片4

2. 下載「MakitaToolManagementSetup_EN_v1020.exe」並安裝應用程式。

連接 PC

在啟動應用程式之前，請連接此連接器至 PC。

► 圖片5

注意：請勿在本連接器的 USB 連線燈閃爍時，中斷連接 USB 纜線。

安裝電池組／工具

選購配件

在啟動應用程式之前，先將電池組及工具安裝至本連接器。

安裝或拆卸電池組

⚠小心：務必將電池組完全插入，直到無法看見紅色指示器為止。否則其可能會從本連接器意外脫落，導致自身或他人受傷。

⚠小心：請小心手指不要遭電池組及端子夾傷。

注意：請於電池組使用前進行充電。無法使用無剩餘電量的電池組。

注意：卸下電池組時，確定安裝的工具完全停止且未與應用程式通訊。否則可能會發生故障。

安裝電池組時，將電池組舌片對準外殼上的槽溝並將其滑入定位。將其插到底，直到聽見喀嗒聲鎖入定位為止。如果您能看見圖中所示的紅色指示器，則表示尚未完全鎖定。拆卸電池組時，請在滑動電池組前側按鈕的同時，將其從本連接器中抽出。

► 圖片6: 1. 紅色指示器 2. 按鈕 3. 電池組

安裝或拆卸工具

⚠小心：請勿將手指置於工具開關上。否則意外啟動可能會導致受傷。

注意：安裝或拆卸工具時，確定安裝的工具完全停止。否則可能會發生故障。

注意：拆卸工具時，確定未與應用程式通訊。否則可能會發生故障。

注：此工具未透過連接本連接器驅動。

安裝工具時，將本連接器舌片對準外殼上的槽溝並將其滑入定位。將其插到底，直到聽見喀嗒聲鎖入定位為止。拆卸工具時，請在滑動本連接器前側按鈕的同時，將其從本連接器中抽出。

► 圖片7


故障排除

送修前，請檢查下列幾點。

異常狀態	可能原因 (故障)	糾正措施
連接器無法開啟。 狀態燈未亮起。	剩餘電池電量偏低。	將電池組進行充電。
	電池組安裝不當。	取下電池組一次。按照本說明書所述重新安裝電池組。
狀態燈閃爍紅光。	工具安裝不正確。	卸下工具一次。按照本說明書所述重新安裝工具。
	電池組安裝不當。	取下電池組一次。按照本說明書所述重新安裝電池組。
連接器無法建立與智慧型手機／平板電腦的連線。	訊號微弱。	將智慧型手機／平板電腦靠近連接器。
	智慧型手機／平板電腦的藍牙連線遭停用。	啟動智慧型手機／平板電腦的藍牙連線。
PC 的 USB 連線無作用。	USB 纜線未正確插入。	確定 USB 纜線牢牢插入 USB 連接埠。
	纜線受損。	使用其他 USB 纜線。
	USB 纜線與規格不符。	使用本手冊中規定的 USB 纜線。請參閱規格章節。

若即使在採取以上措施後仍無法解決問題，代表連接器可能故障。請聯絡 Makita (牧田) 授權維修服務中心。

保養

 **小心：** 檢查或保養工具之前，請務必關閉工具電源開關並拆下電池組。

注意： 請勿用水清洗連接器。故障風險。

注意： 請定期以布沾取肥皂水擦拭本連接器外側。

注意： 切勿使用汽油、苯、稀釋劑、酒精或類似物品清潔工具。否則可能會導致工具變色、變形或出現裂縫。

為了保證產品的安全與可靠性，任何維修或其他維修保養工作需由 Makita (牧田) 授權的或工廠維修服務中心來進行。務必使用 Makita (牧田) 的更換部件。

Makita Europe N.V.

Jan-Baptist Vinkstraat 2, 3070 Kortenberg, Belgium

Makita Corporation

3-11-8, Sumiyoshi-cho, Anjo, Aichi 446-8502 Japan

www.makita.com



885A07B912
EN, FR, DE, IT, NL,
ES, PT, DA, EL, TR,
SV, NO, FI, LV, LT,
ET, PL, HU, SK, CS,
SL, SQ, BG, HR,
MK, SR, RO, UK,
RU, KK, ZHTW
20221115