



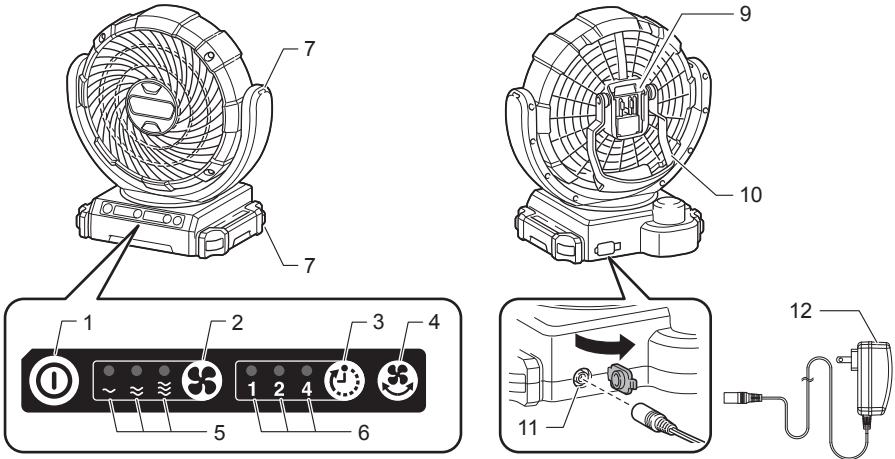
CF101D
DCF102

EN Cordless Fan

Owner's Manual

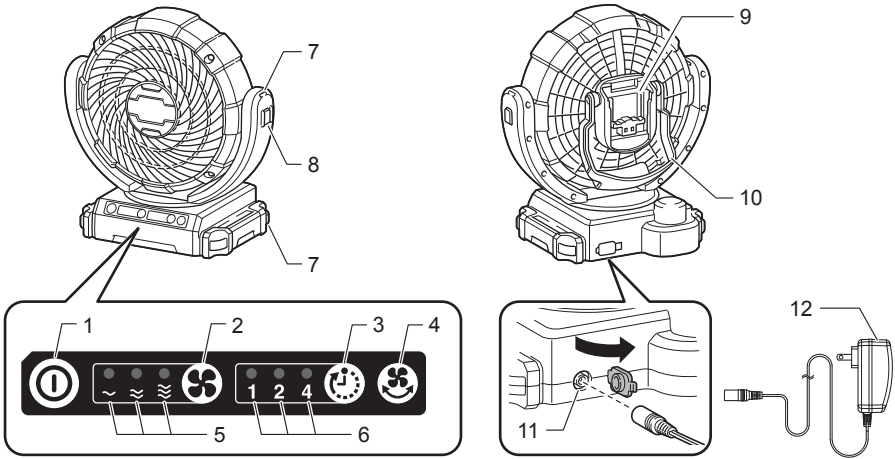
IMPORTANT: Read Before Using.

CF101D



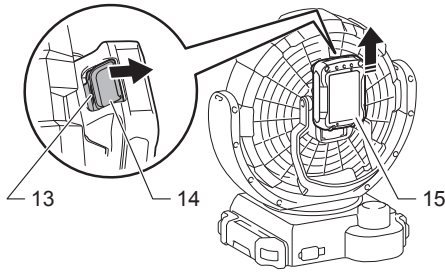
1

DCF102

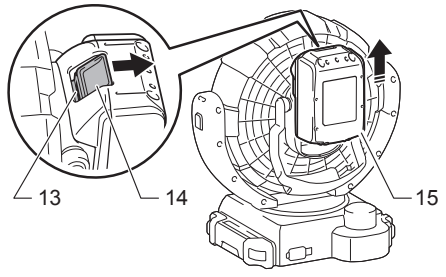


2

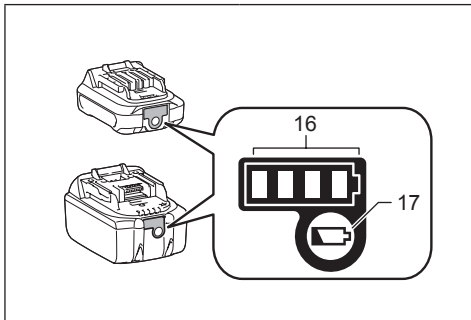
CF101D



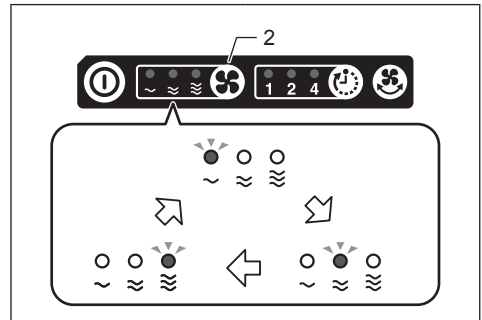
DCF102



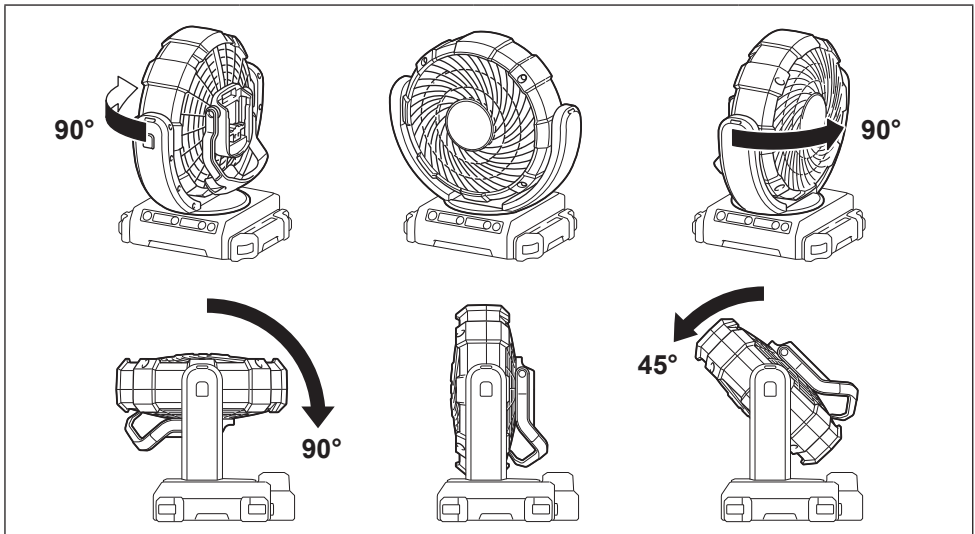
3



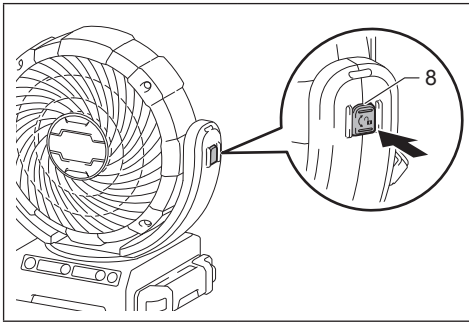
4



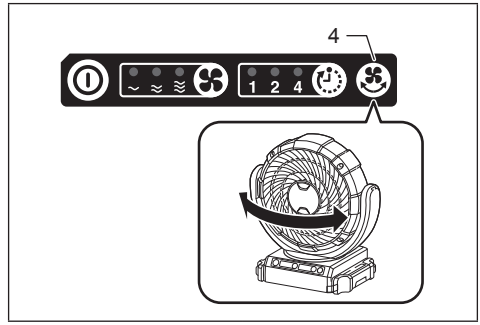
5



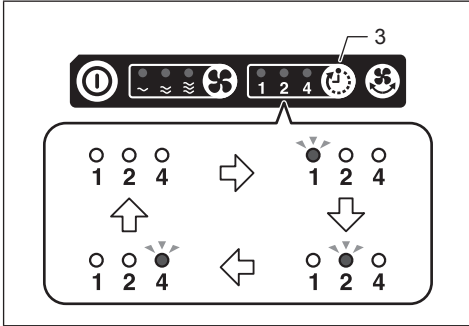
6



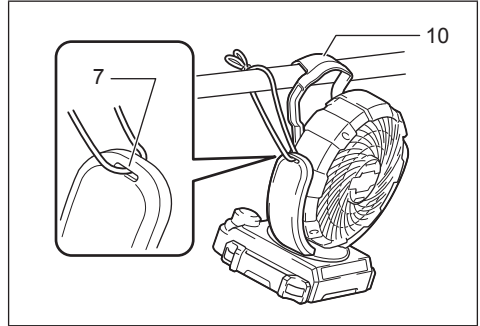
7



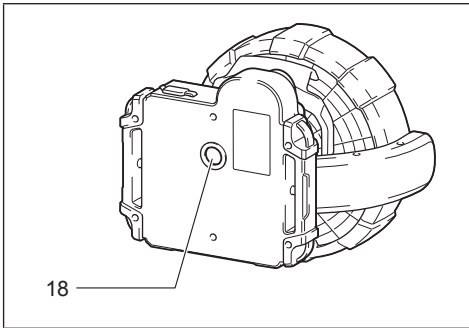
8



9



10



11

English

To prevent serious injury, please read and understand all warnings and instructions before use. You will need this manual for the safety warnings and precautions, assembly, operating, inspection, maintenance procedures. Keep this manual in a safe and dry place for future reference.

WARNING AND SAFETY RULES

IMPORTANT SAFETY INSTRUCTIONS

When using an electrical appliance, basic precautions should always be followed, including the following:

READ ALL INSTRUCTIONS BEFORE USING THIS APPLIANCE.

WARNING - To reduce the risk of fire, electric shock or injury:

1. Do not expose to rain. Store indoors.
2. Do not allow to be used as a toy. Close attention is necessary when used by or near children.
3. Use only as described in this manual. Use only manufacturer's recommended attachments.
4. Do not use with damaged battery. If appliance is not working as it should has been dropped, damaged, left outdoors, or dropped into water, return it to our service center.
5. Do not handle the appliance with wet hands.
6. Do not put any object into openings.
7. Keep hair, loose clothing, finger and all parts of body away from openings and moving parts.
8. Turn off all controls before removing the battery.
9. Use only the AC adaptor or charger supplied by the manufacturer. Accessories that may be suitable for one cordless fan may become hazardous when used on others.
10. Do not charge the battery outdoors.
11. This appliance is not intended for use by persons (including children) with reduced physical, sensory or mental capabilities, or lack of experience and knowledge, unless they have been given supervision or instruction concerning use of the appliance by a person responsible for their safety.
12. Children should be supervised to ensure that they do not play with the appliance.
13. Do not expose to fire or high temperatures.
14. Do not use near open flames, glowing embers or explosive atmospheres, such as in presence of flammable liquids, gases or dust. Cordless fans create sparks which may ignite the dust or fumes.
15. To reduce the risk of fire or electric shock, do not use this fan with any solid-state speed control device.

16. Never use the cordless fan in humid locations such as in a bathroom.
17. This cordless fan is indoor use only. Never use the cordless fan outdoors.
18. This appliance is intended for household use.
19. Read this instruction manual and the charger instruction manual carefully before use.
20. Stop operation immediately if you notice any abnormal.
21. If you drop or strike the fan, check it carefully for cracks or damage before operation.
22. Do not bring the cordless fan close to stoves or other heat sources.
23. Do not use if broken, bent, cracked or damaged parts are present. Any cordless fan that appears damaged in any way or operates abnormally must be removed from service immediately. Inspect before each operation.
24. Do not leave the cordless fan energized and unattended.
25. Don't abuse the AC adaptor. Never use the adaptor cord to carry the fans or pull the plug out from an outlet. Keep the AC adaptor away from heat, oil, sharp edges, or moving parts. Replace damaged adaptor immediately. Damaged adaptor may increase the risk of electric shock.

CORDLESS FAN USE AND CARE

1. Use the correct cordless fan for your application. Do not use the fan for a purpose for which it is not intended.
2. The cordless fan can work by Makita Li-ion battery cartridge designated in "SPECIFICATIONS" section in this instruction manual or AC adaptor supplied as an optional accessory. Use of any other batteries may create a risk of fire. Recharge batteries only with the specified charger. A charger that may be suitable for one type of battery may create a risk of fire when used with another battery.
3. Store idle cordless fan out of reach of children and other untrained persons.
4. Disconnect battery cartridge and the AC adaptor (optional accessory) from the power source before storing the fan. Such preventive safety measures may reduce the risk of starting the fan accidentally. Always remove battery cartridge and unplug the fan from its electrical outlet before performing any inspection, maintenance, or cleaning procedures.
5. When battery cartridge is not in use, keep it away from other metal objects. Shortening the battery terminals together may cause sparks, burns or a fire.
6. Unplug unit and allow it to cool before attempting any cleaning or maintenance.
7. Do not allow familiarity with appliances to make you careless. Remember that a careless fraction of a second is sufficient to inflict serious injury.
8. When inserting/removing the battery or plugging/unplugging the AC adapter (optional accessory), always place the cordless fan on a flat and stable surface.
9. Do not use any batteries, attachments or accessories not recommended by the manufacturer of this appliance. The use of batteries, attachments or accessories not recommended can result in serious personal injury.

SERVICE

1. Cordless fan service must be performed only by qualified repair personnel. Service or maintenance performed by unqualified personnel could result in a risk of injury.
2. When servicing a cordless fan, use only identical replacement parts. Use of unauthorized parts or failure to follow maintenance instructions may create a risk of electric shock or injury.
3. Do not incinerate this fan, even if it is severely damaged. The batteries can explode in a fire. Dispose of the fan in accordance with the local regulations.

BATTERY CARTRIDGE

1. Prevent unintentional starting. Ensure the switch is in the off-position before connecting to battery cartridge, picking up or carrying the appliance. Carrying the appliance with your finger on the switch or energizing appliance that have the switch on invites accidents.
2. Disconnect the battery cartridge from the appliance before making any adjustments, changing accessories, or storing appliance. Such preventive safety measures reduce the risk of starting the appliance accidentally.
3. Recharge only with the charger specified by the manufacturer. A charger that is suitable for one type of battery cartridge may create a risk of fire when used with another battery cartridge.
4. Use appliances only with specifically designated battery cartridge. Use of any other battery cartridge may create a risk of injury and fire.
5. Under abusive conditions, liquid may be ejected from the battery; avoid contact. If contact accidentally occurs, flush with water. If liquid contacts eyes, additionally seek medical help. Liquid ejected from the battery may cause irritation or burns.
6. Do not use a battery cartridge or appliance that is damaged or modified. Damaged or modified batteries may exhibit unpredictable behavior resulting in fire, explosion or risk of injury.
7. Do not expose a battery cartridge or appliance to fire or excessive temperature. Exposure to fire or temperature above 130°C may cause explosion. The temperature of 130°C can be replaced by the temperature of 265°F.
8. Follow all charging instructions and do not charge the battery cartridge or appliance outside of the temperature range specified in the instructions. Charging improperly or at temperatures outside of the specified range may damage the battery and increase the risk of fire.
9. Have servicing performed by a qualified repair person using only identical replacement parts. This will ensure that the safety of the product is maintained.
10. Do not modify or attempt to repair the appliance or the battery cartridge except as indicated in the instructions for use and care.
11. Before using battery cartridge, read all instructions and cautionary markings on (1) battery charger, (2) battery, and (3) product using battery.
12. Do not disassemble battery cartridge.
13. If operating time has become excessively shorter, stop operating immediately. It may result in a risk of overheating, possible burns or even an explosion.

14. If electrolyte gets into your eyes, rinse them out with clear water and seek medical attention right away. It may result in loss of your eyesight.
15. Do not shorten the battery cartridge:
 - (1) Do not touch the terminals with any conductive material.
 - (2) Avoid storing battery cartridge in a container with other metal objects such as nails, coins, etc.
 - (3) Do not expose battery cartridge to water or rain.
16. A battery short can cause a large current flow, overheating, possible burns and even a breakdown.
17. Do not store the appliance and battery cartridge in locations where the temperature may reach or exceed 50°C (122°F).
18. Do not incinerate the battery cartridge even if it is severely damaged or is completely worn out. The battery cartridge can explode in a fire.
19. Be careful not to drop or strike battery.
20. The contained lithium-ion batteries are subject to the Dangerous Goods Legislation requirements. For commercial transports e.g. by third parties, forwarding agents, special requirement on packaging and labeling must be observed. For preparation of the item being shipped, consulting an expert for hazardous material is required. Please also observe possibly more detailed national regulations. Tape or mask off open contacts and pack up the battery in such a manner that it cannot move around in the packaging.
21. Follow your local regulations relating to disposal of battery.
22. Use the batteries only with the products specified by Makita. Installing the batteries to non-compliant products may result in a fire, excessive heat, explosion, or leak of electrolyte.

 **CAUTION:** Only use genuine Makita batteries.

Use of non-genuine Makita batteries, or batteries that have been altered, may result in the battery bursting causing fires, personal injury and damage. It will also void the Makita warranty for the Makita product and charger.

Tips for maintaining maximum battery life:

1. Charge the battery cartridge before completely discharged. Always stop the operation and charge the battery cartridge when you notice less power.
2. Never recharge a fully charged battery cartridge. Overcharging shortens the battery service life.
3. Charge the battery cartridge with room temperature at 10°C–40°C (50°F–104°F). Let a hot battery cartridge cool down before charging it.
4. Charge the battery cartridge if you do not use it for a long period (more than six months).

IN ORDER TO ENSURE THE BATTERY MAXIMUM PERFORMANCE, IT IS RECOMMENDED THAT THE BATTERY CARTRIDGE SHOULD BE CHARGED BEFORE BEING USED FOR THE FIRST TIME.

READ AND SAVE THESE INSTRUCTIONS

SYMBOLS

V Volts

A Amperes

⋯ Direct current

SPECIFICATIONS

This fan is equipped with 3-speed control, fan head oscillation, and auto-off timer functions. Power supply can be with Makita battery cartridge or AC adaptor (optional accessory).

Model:		CF101D	DCF102
[Rated voltage] Battery cartridge		[10.8 V - 12 V max] BL1016, BL1021B, BL1041B	[14.4 V] BL1430B [18 V] BL1815N, BL1820B, BL1830, BL1830B, BL1840B, BL1850B, BL1860B
Battery charger		DC10SB, DC10WD, DC18RE	DC18RC, DC18RD, DC18RE, DC18SD, DC18SE, DC18SF
AC adaptor (optional accessory)	Input	100–240V, 50/60 Hz, 0.6 A max	
	Output	12 V 1.5 A	
Dimensions (L x W x H)		185 x 260 x 284 mm (7-1/4" x 10-1/4" x 11-1/8")	185 x 272 x 284 mm (7-1/4" x 10-3/10" x 11-1/8")
Net weight (without battery)		1.3 kg (2.8 lbs)	1.3 kg (2.9 lbs)

CAUTION

Only use the battery cartridges listed above. Use of any other battery cartridges may cause injury and/or fire.

Battery running time

Following table refers to some of battery cartridges from Makita. The estimated running time of full charged battery is shown :

Model	Battery cartridge	Air speed		
		Low	Medium	High
CF101D	BL1041B	630 min	380 min	275 min
DCF102	BL1430B	415 min	225 min	175 min
	BL1860B	1270 min	705 min	575 min

Parts description (Fig. 1-11)

- | | | |
|------------------------|---------------------------------|------------------------------|
| 1. Power switch button | 2. Wind speed change button | 3. Auto-off timer button |
| 4. Oscillation button | 5. Wind speed indicator | 6. Auto-off timer indicator |
| 7. Strap hole | 8. Release button (DCF102 only) | 9. Battery slot |
| 10. Hook | 11. 12V DC socket | 12. AC adapter |
| 13. Red indicator | 14. Button | 15. Battery cartridge |
| 16. Indicator lamp | 17. Check button | 18. Screw hole (5/8"-11 UNC) |

HOW TO OPERATE THE UNIT

Installing or removing of battery cartridge (Fig. 3)

CAUTION:

- Hold the appliance and the battery cartridge firmly when installing or removing battery cartridge. Failure to hold the appliance and the battery cartridge firmly may cause them to slip off your hands and result in damage to the appliance and battery cartridge and a personal injury.
- Install the battery cartridge fully until the red indicator (13) can not be seen. If not, it may accidentally fall out of the appliance, causing injury to you or someone around you.

To remove the battery cartridge, slide it from the appliance while sliding the button (14).









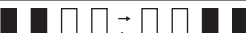
To install the battery cartridge, align the tongue on the battery cartridge with the groove in the housing and slip it into place. Always insert it all the way until it locks in place with a little click. If you can see the red indicator (13) on the upper side of the button, it is not locked completely.

Do not use force when installing the battery cartridge. If the cartridge does not slide in easily, it is not being inserted correctly.

Indicating the remaining battery capacity (Fig. 4)

Only for battery cartridges with the indicator

Press the check button (17) on the battery cartridge to indicate the remaining battery capacity. The indicator lamps (16) light up for few seconds.

Indicator lamps			Remaining capacity
 Lighted	 Off	 Blinking	
			75 % to 100 %
			50 % to 75 %
			25 % to 50 %
			0 % to 25 %
			Charge the battery. (For 18 V and 14.4 V batteries only)
			The battery may have malfunctioned. (For 18 V and 14.4 V batteries only)

NOTE:

- Depending on the conditions of use and the ambient temperature, the indication may differ slightly from the actual capacity.

Appliance / battery protection system

The appliance is equipped with the protection system. This system automatically cuts off power to the motor to extend appliance and battery life. The appliance will automatically stop during operation if the appliance or battery is placed under one of the following conditions.

- Overload protection : When the appliance is operated in a manner that causes it to draw an abnormally high current, the appliance automatically stops without any indication. In this situation, turn the appliance off and stop the application that caused the appliance to become overloaded. Then turn the appliance on to restart.
- Overheat protection : When the appliance is overheated, the appliance automatically stops. Let the appliance cool down before turning it on again.
- Overdischarge protection : When the battery capacity becomes low, the appliance stops automatically. If the appliance does not operate even when the switches are operated, remove the battery cartridge from the appliance and charge it.

Starting / stopping the fan (Fig. 1, 2)

Push the power switch button (1) to turn on the fan. Push the power switch button again to turn off the fan.

Changing wind speed (Fig. 5)

Push the wind speed change button (2) while the fan is running. The wind speed increases every time you push the button. The wind speed will return to the lowest speed when running in the highest speed. The cordless fan will start in the same speed as the previous setting.

Adjusting fan head angle (Fig. 6, 7)

The angle of the fan head can be adjusted manually. The range of motion in the fan head is as shown in the figure. For DCF102, press and hold the release button (8) when adjusting the fan head angle.

NOTE:

Do not turn the fan head further than its range of motion.

Oscillating the fan head (Fig. 8)

Push the oscillation button (4) to oscillate the fan head. Push the button again to stop the oscillation. The fan head begins to oscillate from the current position when the oscillation button is pushed. The fan head oscillates 90-degree angle of range.

CAUTION:

- When oscillating the fan head, keep obstacles clear of the moving range of the fan head. The cordless fan may be pushed and fall by the oscillation.
- Do not stop the oscillation by holding the fan head. Always push the oscillation button to stop.

NOTE:

Depending on the fan head position, the fan head may not oscillate soon after the oscillation button is pushed because of the oscillation mechanism.

Auto-off timer (Fig. 9)

Push the auto-off timer button (3) while the fan is running. The duration to activate auto-off timer changes every time you push the button (1 hour / 2 hours / 4 hours / off).

The number under each auto-off timer indicator shows the remaining hour(s) to turn off the fan. The auto-off timer indicator will turn off with time.

NOTE:

Depending on the battery cartridge type and its remaining capacity, the auto-off timer may be activated earlier than the set time.

Hanging the fan (Fig. 10)

Use the hook (10) on the handle to hang the cordless fan on a pole or other usable places. To prevent the cordless fan accidentally dropped, attach a strap using the strap hole (7) and secure it.

CAUTION:

- Never hook the cordless fan at high locations or on the surfaces where the appliance may lose the balance and fall.
- For hanging the cordless fan, use a hard material such as a metal pole. The diameter of the hooking pole should be smaller than 24 mm (15/16") and withstand 8.0 kg (17.5 lbs). Do not hang the cordless fan higher than 2.3 m.

Mounting on a tripod (Fig. 11)

The cordless fan can be mounted on Makita tripod.

When using the tripod with the threaded shaft 5/8"-11 UNC, mount the cordless fan using the screw hole (18).

Using AC adaptor (optional accessory)

WARNING

- Never use the cordless fan when the cord or plug is damaged.
- Do not handle the plug with wet or greasy hand.
- Do not leave the AC adapter disconnected from the cordless fan while the power is supplied from the mains. Small children may put the live plug in their mouth and cause injury.

Insert the 12V DC plug of AC adaptor into the 12V DC socket (**Fig. 1, 2**), and then plug the AC pins into a main power supply. Make sure that the voltage rating of the main power supply corresponds with that of the adaptor.

NOTE:

- After the AC adaptor is connected, the cordless fan may take 3–5 seconds to start.
- The adaptor might creak while using it for the power supply. This doesn't affect normal use.
- The AC adapter does not charge the battery inserted to the cordless fan.

MAINTENANCE

**WARNING**

- When servicing, ask Makita authorized service centers and with only identical replacement parts. Use of any other parts may create a hazard or cause product damage.
- To avoid serious personal injury, always remove the battery cartridge or AC adapter (optional accessory) from the unit when cleaning or performing any maintenance.
- Allow the cordless fan to cool completely before performing any inspection, maintenance, cleaning procedures or storage.

General maintenance

After the cordless fan is cooled, use clean clothes to remove dirt, dust, oil, grease etc. Never use gasoline, benzine, thinner, alcohol or the like. Discoloration, deformation or cracks may result.

**WARNING**

- All parts should be replaced at an Authorized Service Center.

Storage

To prevent fire or burning, allow the cordless fan to cool down completely before you store it. Do not store the discharged battery for long periods, as it can shorten its service life.

For technical questions, please contact sales agent.

OPTIONAL ACCESSORY

**CAUTION:**

These accessories or attachments are recommended for use with your Makita product specified in this manual. The use of any other accessories or attachments might present a risk of injury to persons. Only use accessory or attachment for its stated purpose.

If you need any assistance for more details regarding these accessories, ask your local Makita Service Center.

- AC adaptor
- Makita genuine battery and charger

NOTE:

Some items in the list may be included in the appliance package as standard accessories. They may differ from country to country.

MAKITA LIMITED WARRANTY

Please refer to the annexed warranty sheet for the most current warranty terms applicable to this product. If annexed warranty sheet is not available, refer to the warranty details set forth at below website for your respective country.

- United States of America: www.makitatools.com
- Canada: www.makita.ca
- Other countries: www.makita.com

Makita Corporation
3-11-8, Sumiyoshi-cho,
Anjo, Aichi 446-8502 Japan
www.makita.com

DCF102-NA3-1910

IDE