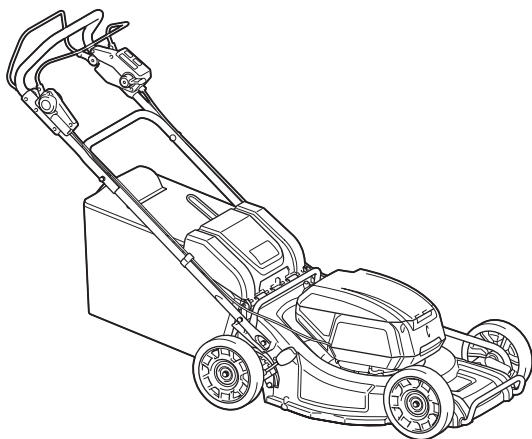


INSTRUCTION MANUAL



Cordless Lawn Mower

DLM533



Read before use.

SPECIFICATIONS

Model:		DLM533
Mowing width (blade diameter)		534 mm
No load speed		2,300 min ⁻¹
Maximum speed		2,800 min ⁻¹
Part number of replacement mower blade	Straight mower blade	191D52-7
	Swing back mower blades *1	191D50-1
	Swing back mower blades *2	191D48-8
	Mulching blade	191Y65-4
Dimensions (L x W x H)		L: 1,655 mm to 1,740 mm W: 590 mm H: 990 mm to 1,100 mm
Traveling speed		2.5 - 5.0 km/h
Rated voltage		D.C. 36 V
Net weight	When straight mower blade is installed	42.8 - 46.3 kg
	When swing back mower blades are installed	43.5 - 47.0 kg
	When mulching blade is installed	42.6 - 46.1 kg
Protection degree		IPX4

*1. Base plate and individual mower blades.

*2. Individual mower blades only.

- Due to our continuing program of research and development, the specifications herein are subject to change without notice.
- Specifications may differ from country to country.
- The weight may differ depending on the attachment(s), including the battery cartridge. The lightest and heaviest combinations, according to EPTA-Procedure 01/2014, are shown in the table.

Applicable battery cartridge

BL1815N / BL1820 / BL1820B / BL1830 / BL1830B / BL1840 / BL1840B / BL1850 / BL1850B / BL1860B

- Some of the battery cartridges listed above may not be available depending on your region of residence.

⚠ WARNING: Only use the battery cartridges listed above. Use of any other battery cartridges may cause injury and/or fire.

⚠ WARNING: Do not use a corded power supply such as battery adapter or portable power pack with this machine. The cable of such power supply may hinder the operation and result in personal injury.

Symbols

The followings show the symbols which may be used for the equipment. Be sure that you understand their meaning before use.



Take particular care and attention.



Read instruction manual.



Danger; be aware of thrown objects.



The distance between the tool and bystanders must be at least 15 m.



Never put your hands and feet near the mower blade under the mower. Mower blades continue to rotate after the motor is switched off.



Remove the lock key before inspecting, adjusting, cleaning, servicing, leaving and storing the mower.



Warning; Disconnect battery before maintenance.



Electrical hazard. Contact with water can cause electric shock.



Do not pour water.



Only for EU countries
 Due to the presence of hazardous components in the equipment, waste electrical and electronic equipment, accumulators and batteries may have a negative impact on the environment and human health. Do not dispose of electrical and electronic appliances or batteries with household waste! In accordance with the European Directive on waste electrical and electronic equipment and on accumulators and batteries and waste accumulators and batteries, as well as their adaptation to national law, waste electrical equipment, batteries and accumulators should be stored separately and delivered to a separate collection point for municipal waste, operating in accordance with the regulations on environmental protection. This is indicated by the symbol of the crossed-out wheeled bin placed on the equipment.



Guaranteed sound power level according to EU Outdoor Noise Directive.



Sound power level according to Australia NSW Noise Control Regulation.

Intended use

The machine is intended for lawn mowing.

SAFETY WARNINGS

General power tool safety warnings

⚠ WARNING: Read all safety warnings, instructions, illustrations and specifications provided with this power tool. Failure to follow all instructions listed below may result in electric shock, fire and/or serious injury.

Save all warnings and instructions for future reference.

The term "power tool" in the warnings refers to your mains-operated (corded) power tool or battery-operated (cordless) power tool.

Work area safety

1. **Keep work area clean and well lit.** Cluttered or dark areas invite accidents.
2. **Do not operate power tools in explosive atmospheres, such as in the presence of flammable liquids, gases or dust.** Power tools create sparks which may ignite the dust or fumes.
3. **Keep children and bystanders away while operating a power tool.** Distractions can cause you to lose control.

Electrical safety

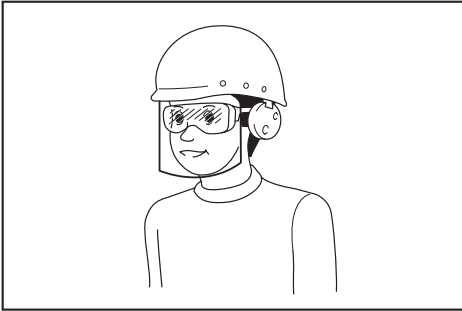
1. **Power tool plugs must match the outlet. Never modify the plug in any way. Do not use any adapter plugs with earthed (grounded) power tools.** Unmodified plugs and matching outlets will reduce risk of electric shock.

2. **Avoid body contact with earthed or grounded surfaces, such as pipes, radiators, ranges and refrigerators.** There is an increased risk of electric shock if your body is earthed or grounded.
3. **Do not operate the power tool in rain or wet conditions.** This may increase the risk of electric shock.
4. **Do not abuse the cord. Never use the cord for carrying, pulling or unplugging the power tool. Keep cord away from heat, oil, sharp edges or moving parts.** Damaged or entangled cords increase the risk of electric shock.
5. **When operating a power tool outdoors, use an extension cord suitable for outdoor use.** Use of a cord suitable for outdoor use reduces the risk of electric shock.
6. **If operating a power tool in a damp location is unavoidable, use a residual current device (RCD) protected supply.** Use of an RCD reduces the risk of electric shock.
7. **Power tools can produce electromagnetic fields (EMF) that are not harmful to the user.** However, users of pacemakers and other similar medical devices should contact the maker of their device and/or doctor for advice before operating this power tool.

Personal safety

1. **Stay alert, watch what you are doing and use common sense when operating a power tool. Do not use a power tool while you are tired or under the influence of drugs, alcohol or medication.** A moment of inattention while operating power tools may result in serious personal injury.
2. **Use personal protective equipment. Always wear eye protection.** Protective equipment such as a dust mask, non-skid safety shoes, hard hat or hearing protection used for appropriate conditions will reduce personal injuries.
3. **Prevent unintentional starting. Ensure the switch is in the off-position before connecting to power source and/or battery pack, picking up or carrying the tool.** Carrying power tools with your finger on the switch or energising power tools that have the switch on invites accidents.
4. **Remove any adjusting key or wrench before turning the power tool on.** A wrench or a key left attached to a rotating part of the power tool may result in personal injury.
5. **Do not overreach. Keep proper footing and balance at all times.** This enables better control of the power tool in unexpected situations.
6. **Dress properly. Do not wear loose clothing or jewellery. Keep your hair and clothing away from moving parts.** Loose clothes, jewellery or long hair can be caught in moving parts.
7. **If devices are provided for the connection of dust extraction and collection facilities, ensure these are connected and properly used.** Use of dust collection can reduce dust-related hazards.
8. **Do not let familiarity gained from frequent use of tools allow you to become complacent and ignore tool safety principles.** A careless action can cause severe injury within a fraction of a second.

9. **Always wear protective goggles to protect your eyes from injury when using power tools. The goggles must comply with ANSI Z87.1 in the USA, EN 166 in Europe, or AS/NZS 1336 in Australia/New Zealand. In Australia/New Zealand, it is legally required to wear a face shield to protect your face, too.**



It is an employer's responsibility to enforce the use of appropriate safety protective equipments by the tool operators and by other persons in the immediate working area.

Power tool use and care

1. **Do not force the power tool. Use the correct power tool for your application.** The correct power tool will do the job better and safer at the rate for which it was designed.
2. **Do not use the power tool if the switch does not turn it on and off.** Any power tool that cannot be controlled with the switch is dangerous and must be repaired.
3. **Disconnect the plug from the power source and/or remove the battery pack, if detachable, from the power tool before making any adjustments, changing accessories, or storing power tools.** Such preventive safety measures reduce the risk of starting the power tool accidentally.
4. **Store idle power tools out of the reach of children and do not allow persons unfamiliar with the power tool or these instructions to operate the power tool.** Power tools are dangerous in the hands of untrained users.
5. **Maintain power tools and accessories. Check for misalignment or binding of moving parts, breakage of parts and any other condition that may affect the power tool's operation. If damaged, have the power tool repaired before use.** Many accidents are caused by poorly maintained power tools.
6. **Keep cutting tools sharp and clean.** Properly maintained cutting tools with sharp cutting edges are less likely to bind and are easier to control.
7. **Use the power tool, accessories and tool bits etc. in accordance with these instructions, taking into account the working conditions and the work to be performed.** Use of the power tool for operations different from those intended could result in a hazardous situation.
8. **Keep handles and grasping surfaces dry, clean and free from oil and grease.** Slippery handles and grasping surfaces do not allow for safe handling and control of the tool in unexpected situations.

9. **When using the tool, do not wear cloth work gloves which may be entangled.** The entanglement of cloth work gloves in the moving parts may result in personal injury.

Battery tool use and care

1. **Recharge only with the charger specified by the manufacturer.** A charger that is suitable for one type of battery pack may create a risk of fire when used with another battery pack.
2. **Use power tools only with specifically designed battery packs.** Use of any other battery packs may create a risk of injury and fire.
3. **When battery pack is not in use, keep it away from other metal objects, like paper clips, coins, keys, nails, screws or other small metal objects, that can make a connection from one terminal to another.** Shorting the battery terminals together may cause burns or a fire.
4. **Under abusive conditions, liquid may be ejected from the battery; avoid contact. If contact accidentally occurs, flush with water. If liquid contacts eyes, additionally seek medical help.** Liquid ejected from the battery may cause irritation or burns.
5. **Do not use a battery pack or tool that is damaged or modified.** Damaged or modified batteries may exhibit unpredictable behaviour resulting in fire, explosion or risk of injury.
6. **Do not expose a battery pack or tool to fire or excessive temperature.** Exposure to fire or temperature above 130 °C may cause explosion.
7. **Follow all charging instructions and do not charge the battery pack or tool outside the temperature range specified in the instructions.** Charging improperly or at temperatures outside the specified range may damage the battery and increase the risk of fire.

Service

1. **Have your power tool serviced by a qualified repair person using only identical replacement parts.** This will ensure that the safety of the power tool is maintained.
2. **Never service damaged battery packs.** Service of battery packs should only be performed by the manufacturer or authorized service providers.
3. **Follow instruction for lubricating and changing accessories.**

Cordless lawnmower safety warnings

1. **Do not use the lawnmower in bad weather conditions, especially when there is a risk of lightning.** This decreases the risk of being struck by lightning.
2. **Thoroughly inspect the area for wildlife where the lawnmower is to be used.** Wildlife may be injured by the lawnmower during operation.
3. **Thoroughly inspect the area where the lawnmower is to be used and remove all stones, sticks, wires, bones, and other foreign objects.** Thrown objects can cause personal injury.

4. **Before using the lawnmower, always visually inspect to see that the blade and the blade assembly are not worn or damaged.** Worn or damaged parts increase the risk of injury.
5. **Check the grass catcher frequently for wear or deterioration.** A worn or damaged grass catcher may increase the risk of personal injury.
6. **Keep guards in place. Guards must be in working order and be properly mounted.** A guard that is loose, damaged, or is not functioning correctly may result in personal injury.
7. **Keep all cooling air inlets clear of debris.** Blocked air inlets and debris may result in overheating or risk of fire.
8. **While operating the lawnmower, always wear non-slip and protective footwear. Do not operate the lawnmower when barefoot or wearing open sandals.** This reduces the chance of injury to the feet from contact with the moving blade.
9. **While operating the lawnmower, always wear long trousers.** Exposed skin increases the likelihood of injury from thrown objects.
10. **Do not operate the lawnmower in wet grass. Walk, never run.** This reduces the risk of slipping and falling which may result in personal injury.
11. **Do not operate the lawnmower on excessively steep slopes.** This reduces the risk of loss of control, slipping and falling which may result in personal injury.
12. **When working on slopes, always be sure of your footing, always work across the face of slopes, never up or down and exercise extreme caution when changing direction.** This reduces the risk of loss of control, slipping and falling which may result in personal injury.
13. **Use extreme caution when reversing or pulling the lawnmower towards you. Always be aware of your surroundings.** This reduces the risk of tripping during operation.
14. **Do not touch blades and other hazardous moving parts while they are still in motion.** This reduces the risk of injury from moving parts.
15. **When clearing jammed material or cleaning the lawnmower, make sure all power switches are off and the battery pack is disconnected.** Unexpected operation of the lawnmower may result in serious personal injury.

Additional safety warnings

Training

1. **Read the instructions carefully. Be familiar with the controls and the proper use of the mower.**
2. **Never allow children or people unfamiliar with these instructions to use the mower. Local regulations can restrict the age of the operator.**
3. **Never operate the mower while people, especially children, or pets are nearby.**
4. **Keep in mind that the operator or user is responsible for accidents or hazards occurring to other people or their property.**

Preparation

1. **Be sure the area is clear of other people before mowing. Stop mower if anyone enters the area.**
2. **Do not insert the lock key into mower until it is ready to be used.**
3. **Watch for holes, ruts, bumps, rocks, or other hidden objects.** Uneven terrain could cause a slip and fall accident. Tall grass can hide obstacles.
4. **Do not insert or remove the lock key in the rain.**

Operation

1. **Stop the mower and remove the lock key, and make sure that all moving parts have come to a complete stop**
 - whenever you leave the mower;
 - before clearing blockages or unclogging chute;
 - before checking, cleaning or working on the mower.
2. **If the mower strikes a foreign object, follow these steps:**
 - Stop the mower, release the switch lever and wait until the blade comes to a complete stop.
 - Remove the lock key and the battery cartridge.
 - Thoroughly inspect the mower for any damage.
 - Replace the blade if it is damaged in any way. Repair any damage before restarting and continuing to operate the mower.
3. **If the mower starts to vibrate abnormally or you notice anything unusual, follow these steps immediately:**
 - Stop the mower, release the switch lever and wait until the blade comes to a complete stop.
 - Remove the lock key and the battery cartridge.
 - Inspect for damage and replace or repair any damaged parts.
 - Check for and tighten any loose parts.
4. **Never operate the mower with defective guards or shields, or without safety devices, for example deflectors and/or grass basket, in place.**
5. **Operate the mower only in daylight or in good artificial light.**
6. **Switch on the mower carefully according to instructions and with feet well away from the blade(s).**
7. **Take care against injury to feet and hands from the mower blades.**
8. **Stop the blade(s) if the mower has to be tilted for transportation when crossing surfaces other than grass, and when transporting the mower to and from the area to be used.**
9. **Do not tilt the mower when switching on the motor, except if the mower has to be tilted for starting. In this case, do not tilt it more than absolutely necessary and lift only the part, which is away from the operator. Always ensure that both hands are in the operating position before returning the mower to the ground.**

10. Do not put hands or feet near or under rotating parts. Keep clear of the discharge opening at all times.
11. Always keep a firm hold on the handle.
12. Don't grasp the exposed cutting blades or cutting edges when picking up or holding the mower.
13. Keep hands and feet away from rotating blades. **Caution - Blades coast after the mower is switched off.**
14. Never attempt to make cutting height adjustments while mower is running if the mower has cutting height adjustment feature.
15. Release switch lever and wait for blade rotation to stop before crossing driveways, walks, roads, and any gravel-covered areas. Also remove the lock key if you leave the mower, reach to pick up or remove something out of your way, or for any other reason that may distract you from what you are doing.
16. Do not start the mower when standing in front of the discharge opening.
17. Never direct discharged material toward anyone. Avoid discharging material against a wall or obstruction. Material may ricochet back toward the operator. Stop the blade when crossing gravel surfaces.
18. Do not pull the mower backwards unless absolutely necessary. When you are compelled to back the mower from a fence or other similar obstruction, look down and behind before and while moving backwards.
19. Shut the motor off and wait until the blade comes to a complete stop before removing the grass catcher. Beware that the blades coast after turn off.
20. When you use the machine on muddy ground, wet slope, or slippery place, pay attention to your footing.
21. Avoid working in poor environment where increased user fatigue is expected.
22. Do not use the machine in bad weather where visibility is limited. Failure to do so may cause fall or incorrect operation due to low visibility.
23. Do not submerge the machine into a puddle.
24. When wet leaves or dirt adhere to the suction mouth (ventilation window) due to rain, remove them.
25. Do not use the machine in the snow.
26. If the cut-off grass is wet, it is likely to be clogged inside of the machine. Check the condition of the machine regularly, and remove the adhered grass as necessary.
27. When operating the machine, pay attention to piping and wiring.

Maintenance and storage

1. Inspect and maintain the mower regularly.
2. Keep all nuts, bolts, and screws tight to be sure the equipment is in safe working condition.
3. Check the grass basket frequently for wear or deterioration. For storage, always make sure the grass basket is empty. Replace a worn grass basket with a new factory replacement for safety.

4. Use only the manufacturer genuine blades specified in this manual.
5. Be careful during adjustment of the mower to prevent entrapment of the fingers between moving blades and fixed parts of the mower.
6. Check the blade mounting bolt at frequent intervals for proper tightness.
7. Always allow the mower to cool down before storing.
8. When servicing the blades be aware that, even though the power source is switched off, the blades can still be moved.
9. Never remove or tamper with safety devices. Check their proper operation regularly. Never do anything to interfere with the intended function of a safety device or to reduce the protection provided by a safety device.
10. Do not leave the machine unattended outdoors in the rain.
11. Do not wash the machine with high pressure water.
12. When washing the machine, be sure to remove the battery and lock key and close the battery cover, and pour water toward the bottom of the machine to which the blade is attached.
13. When storing the machine, avoid direct sunlight and rain, and store it in a place where it does not get hot or humid.
14. Perform inspection or maintenance in a place where rain can be avoided.
15. After using the machine, remove the adhered dirt and dry the machine completely before storing. Depending on the season or the area, there is a risk of malfunction due to freezing.

Electrical and battery safety

1. Do not open or mutilate the battery(ies). Released electrolyte is corrosive and may cause damage to the eyes or skin. It may be toxic if swallowed.
2. Do not charge battery in rain, or in wet locations.
3. Do not charge the battery outdoors.
4. Do not handle charger, including charger plug, and charger terminals with wet hands.
5. Do not replace the battery in the rain.
6. Do not wet the terminal of battery with liquid such as water, or submerge the battery. Do not leave the battery in the rain, nor charge, use, or store the battery in a damp or wet place. If the terminal gets wet or liquid enters inside of battery, the battery may be short circuited and there is a risk of overheat, fire, or explosion.
7. After removing the battery from the machine or charger, be sure to attach the battery cover to the battery and store it in a dry place.
8. Do not replace the battery with wet hands.
9. Avoid dangerous environment. Don't use the machine in dump or wet locations or expose it to rain. Water entering the machine will increase the risk of electric shock.
10. If the battery cartridge gets wet, drain the water inside and then wipe it with a dry cloth. Dry the battery cartridge completely in a dry place before use.

SAVE THESE INSTRUCTIONS.

⚠WARNING: DO NOT let comfort or familiarity with product (gained from repeated use) replace strict adherence to safety rules for the subject product. MISUSE or failure to follow the safety rules stated in this instruction manual may cause serious personal injury.

Important safety instructions for battery cartridge

1. Before using battery cartridge, read all instructions and cautionary markings on (1) battery charger, (2) battery, and (3) product using battery.
2. Do not disassemble or tamper with the battery cartridge. It may result in a fire, excessive heat, or explosion.
3. If operating time has become excessively shorter, stop operating immediately. It may result in a risk of overheating, possible burns and even an explosion.
4. If electrolyte gets into your eyes, rinse them out with clear water and seek medical attention right away. It may result in loss of your eyesight.
5. Do not short the battery cartridge:

- (1) Do not touch the terminals with any conductive material.
- (2) Avoid storing battery cartridge in a container with other metal objects such as nails, coins, etc.
- (3) Do not expose battery cartridge to water or rain.

A battery short can cause a large current flow, overheating, possible burns and even a breakdown.

6. Do not store and use the tool and battery cartridge in locations where the temperature may reach or exceed 50 °C (122 °F).
7. Do not incinerate the battery cartridge even if it is severely damaged or is completely worn out. The battery cartridge can explode in a fire.
8. Do not nail, cut, crush, throw, drop the battery cartridge, or hit against a hard object to the battery cartridge. Such conduct may result in a fire, excessive heat, or explosion.
9. Do not use a damaged battery.
10. The contained lithium-ion batteries are subject to the Dangerous Goods Legislation requirements.

For commercial transports e.g. by third parties, forwarding agents, special requirement on packaging and labeling must be observed.

For preparation of the item being shipped, consulting an expert for hazardous material is required. Please also observe possibly more detailed national regulations.

Tape or mask off open contacts and pack up the battery in such a manner that it cannot move around in the packaging.

11. When disposing the battery cartridge, remove it from the tool and dispose of it in a safe place. Follow your local regulations relating to disposal of battery.

12. Use the batteries only with the products specified by Makita. Installing the batteries to non-compliant products may result in a fire, excessive heat, explosion, or leak of electrolyte.
13. If the tool is not used for a long period of time, the battery must be removed from the tool.
14. During and after use, the battery cartridge may take on heat which can cause burns or low temperature burns. Pay attention to the handling of hot battery cartridges.
15. Do not touch the terminal of the tool immediately after use as it may get hot enough to cause burns.
16. Do not allow chips, dust, or soil stuck into the terminals, holes, and grooves of the battery cartridge. It may cause heating, catching fire, burst and malfunction of the tool or battery cartridge, resulting in burns or personal injury.
17. Unless the tool supports the use near high-voltage electrical power lines, do not use the battery cartridge near high-voltage electrical power lines. It may result in a malfunction or breakdown of the tool or battery cartridge.
18. Keep the battery away from children.

SAVE THESE INSTRUCTIONS.

⚠CAUTION: Only use genuine Makita batteries. Use of non-genuine Makita batteries, or batteries that have been altered, may result in the battery bursting causing fires, personal injury and damage. It will also void the Makita warranty for the Makita tool and charger.

Tips for maintaining maximum battery life

1. Charge the battery cartridge before completely discharged. Always stop tool operation and charge the battery cartridge when you notice less tool power.
2. Never recharge a fully charged battery cartridge. Overcharging shortens the battery service life.
3. Charge the battery cartridge with room temperature at 10 °C - 40 °C (50 °F - 104 °F). Let a hot battery cartridge cool down before charging it.
4. When not using the battery cartridge, remove it from the tool or the charger.
5. Charge the battery cartridge if you do not use it for a long period (more than six months).

ASSEMBLY

⚠ WARNING: Always be sure that the lock key and battery cartridge are removed before carrying out any work on the mower. Failure to remove the lock key and the battery cartridge may result in serious personal injury from accidental start-up.

⚠ WARNING: Never start the mower unless it is completely assembled. Operation of the machine in a partially assembled state may result in serious personal injury from accidental start-up.

Installing the handle

NOTICE: When installing handles, position the cords so that they are not caught by anything between the handles. If the cord is damaged, the mower switch may not work.

1. Align the holes in the lower handle with the holes in the mower body, and then tighten 4 bolts temporarily.

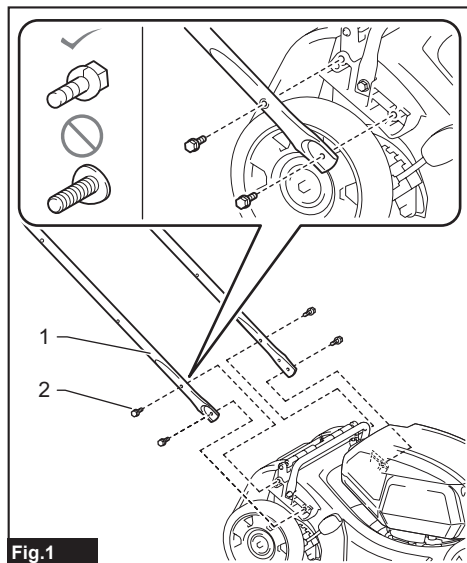


Fig.1
▶ 1. Lower handle 2. Bolt

2. Firmly tighten 4 bolts which were temporarily tightened in step 1 using box wrench 13.

3. Align the hole in the lower handle with the hole in the upper handle, then insert the bolt from inside, and then tighten the nut from outside with box wrench 13. Perform the same procedure on the other side.

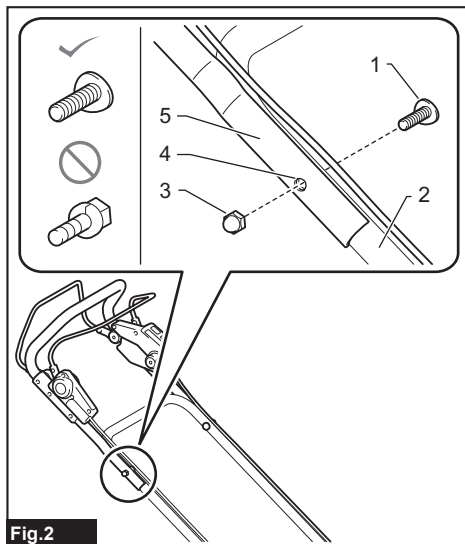


Fig.2
▶ 1. Bolt 2. Lower handle 3. Nut 4. Hole 5. Upper handle

⚠ CAUTION: Hold the upper handle firmly so that it does not drop off your hand. Otherwise, the handle may fall and cause an injury.

4. Attach the holders to the handle. Align the protrusions on the holder with the holes on the handle so that the protrusions fit in the holes. Position the cords as shown in the figure.

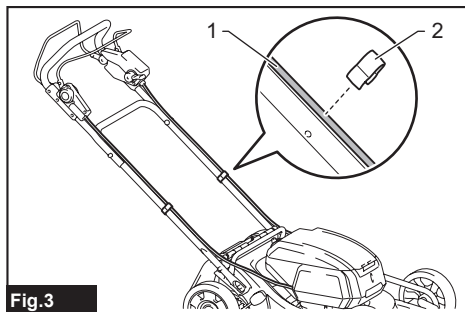


Fig.3
▶ 1. Cord 2. Holder

Removing the mulching plug

1. Open the rear cover.

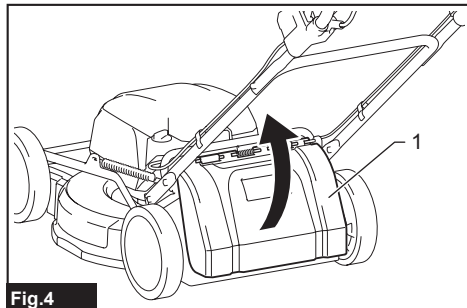


Fig.4

- ▶ 1. Rear cover

2. Remove the mulching plug while holding down the lever.

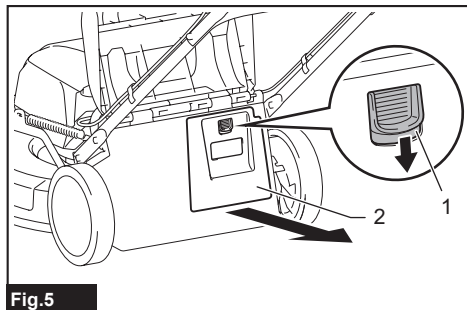


Fig.5

- ▶ 1. Lever 2. Mulching plug

Assembling the grass basket

1. Pick up the upper clip of the grass basket.

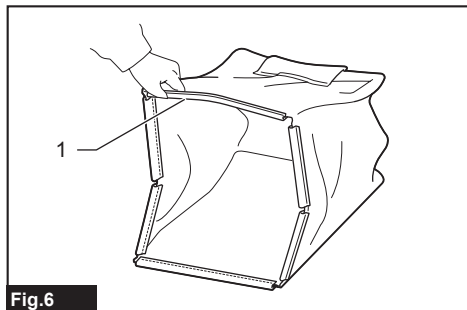


Fig.6

- ▶ 1. Upper clip

2. Insert the frame into the grass basket as far as it will go while holding the handle of the frame.

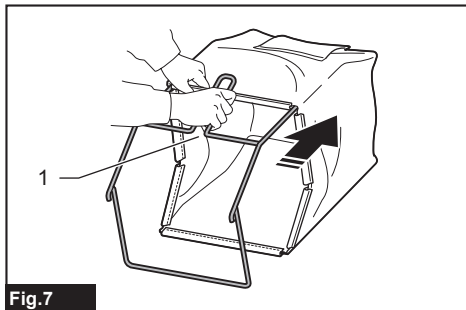


Fig.7

- ▶ 1. Handle

NOTICE: Do not insert the handle into the grass basket. Be sure to insert the frame along the stitch of the grass basket.

3. Make sure that there is no sagging on the corners of the grass basket.

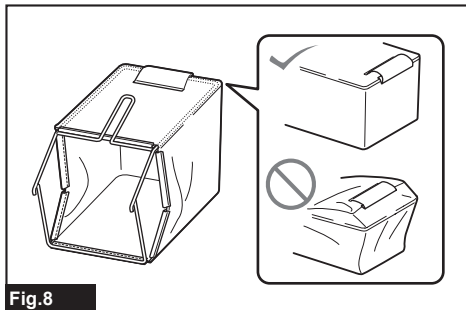


Fig.8

4. Open the upper clip, and attach it to the frame.

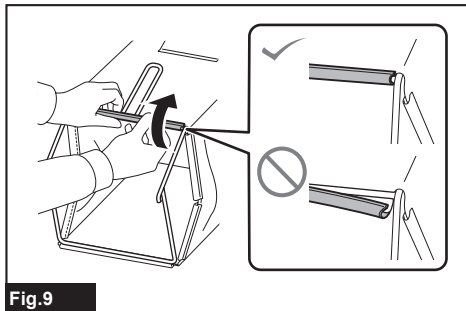


Fig.9

- Attach all the other clips as shown in the figure. Make sure that all the clips are securely attached to the frame.

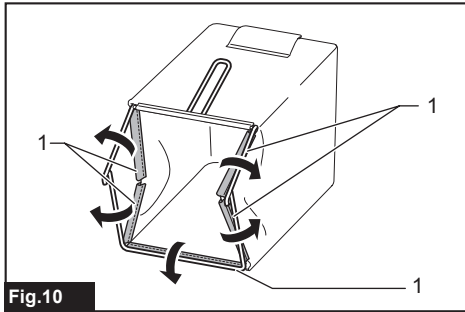


Fig.10

- 1. Clip

Installing or removing the grass basket

To install the grass basket, follow the steps below.

- Open the rear cover.

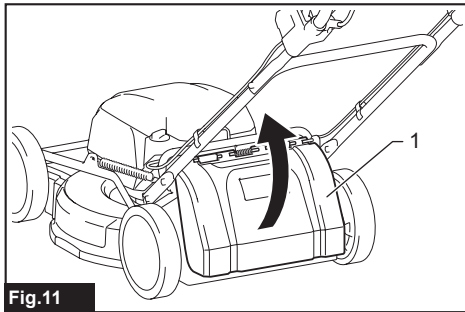


Fig.11

- 1. Rear cover

- Hold the handle of the grass basket, and then hook the grass basket on the rod of the mower body as shown in the figure.

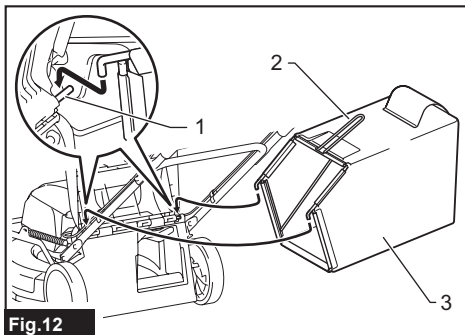


Fig.12

- 1. Rod 2. Handle 3. Grass basket

To remove the grass basket, open the rear cover, and then remove the grass basket by holding the handle.

Attaching the mulching plug

- Open the rear cover, and then remove the grass basket.

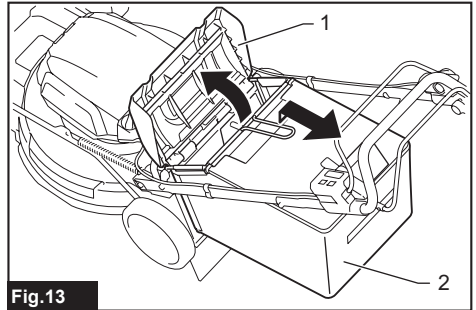


Fig.13

- 1. Rear cover 2. Grass basket

- Attach the mulching plug while holding down the lever, and then release the lever to lock the mulching plug.

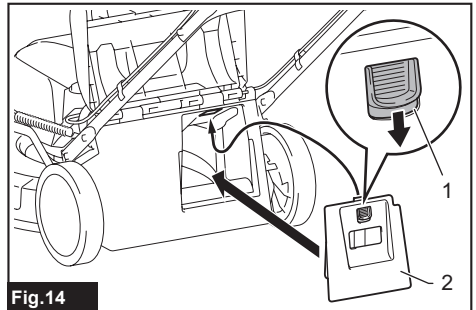


Fig.14

- 1. Lever 2. Mulching plug

FUNCTIONAL DESCRIPTION

Installing or removing battery cartridge

▲CAUTION: Always switch off the machine before installing or removing of the battery cartridge.

▲CAUTION: Hold the machine and the battery cartridge firmly when installing or removing battery cartridge. Failure to hold the machine and the battery cartridge firmly may cause them to slip off your hands and result in damage to the machine and battery cartridge and a personal injury.

▲CAUTION: Make sure that you lock the battery cover before use. Otherwise, mud, dirt, or water may cause damage to the product or the battery cartridge.

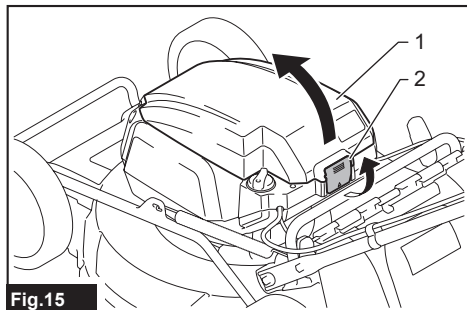
▲CAUTION: Always install the battery cartridge fully until the red indicator cannot be seen. If not, it may accidentally fall out of the machine, causing injury to you or someone around you.

▲CAUTION: Do not install the battery cartridge forcibly. If the cartridge does not slide in easily, it is not being inserted correctly.

NOTE: The machine does not work with only one battery cartridge.

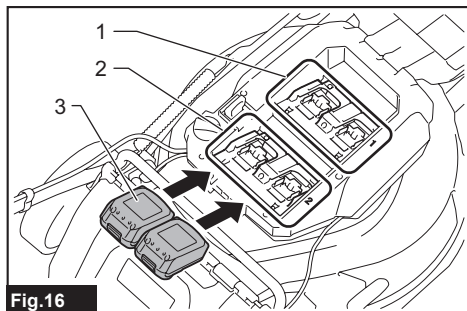
To install the battery cartridge;

1. Pull up the locking lever, and then open the battery cover.



► 1. Battery cover 2. Locking lever

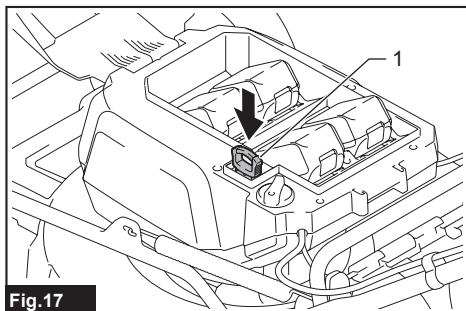
2. Align the tongue on the battery cartridge with the slot on the machine, and then slide the cartridge until it locks in place with a little click.



► (1) Battery port 1 (2) Battery port 2 (3) Battery cartridge

NOTE: Install at least 2 battery cartridges to battery port 1 or battery port 2.

3. Insert the lock key in the place shown in the figure as far as it will go.



► Fig.17

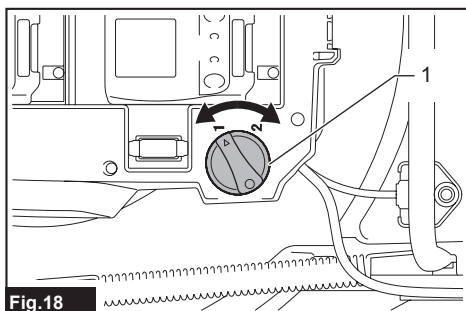
- 1. Lock key

4. Close the battery cover and push it until it is latched with the locking lever.

To remove the battery cartridge;

1. Pull up the locking lever and open the battery cover.
2. Pull out the battery cartridge from the machine while sliding the button on the front of the cartridge.
3. Pull out the lock key.
4. Close the battery cover.

Switching the battery cartridges



► Fig.18

- 1. Battery selection switch

The machine uses 2 battery cartridges for operation at a time. Up to 4 battery cartridges can be installed to the machine. Before operating the machine, select the battery port 1 or battery port 2 by turning the battery selection switch.

NOTE: If only 2 battery cartridges are installed to the machine, be sure to select the battery port to which the battery cartridges are installed using the battery selection switch.

Machine / battery protection system

The machine is equipped with a machine/battery protection system. This system automatically cuts off power to the motor to extend machine and battery life. The machine will automatically stop during operation if the machine or battery is placed under one of the following conditions:

Overload protection

When the battery is operated in a manner that causes it to draw an abnormally high current, the machine automatically stops and the main power lamp blinks in green. In this situation, turn the machine off and stop the application that caused the machine to become overloaded. Then turn the machine on to restart.

Overheat protection

When the machine or battery is overheated, the machine stops automatically and the main power lamp lights up in red. In this case, let the machine and battery cool before turning the machine on again.

Overdischarge protection

When the battery capacity is not enough, the machine stops automatically and the main power lamp blinks in red. In this case, remove the battery from the machine and charge the battery cartridges or change the battery cartridges to fully charged ones.

Indicating the remaining battery capacity

Only for battery cartridges with the indicator

Press the check button on the battery cartridge to indicate the remaining battery capacity. The indicator lamps light up for a few seconds.

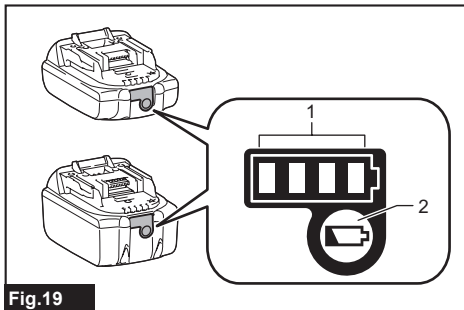


Fig.19

► 1. Indicator lamps 2. Check button

Indicator lamps			Remaining capacity
Lighted	Off	Blinking	
■ ■ ■ ■	□ □ □ □	▧	75% to 100%
■ ■ ■ □	□ □ □ □	▧	50% to 75%
■ ■ □ □	□ □ □ □	▧	25% to 50%
■ □ □ □	□ □ □ □	▧	0% to 25%
▧ □ □ □	□ □ □ □	▧	Charge the battery.
■ ■ □ □	□ □ □ □	▧	The battery may have malfunctioned.
□ □ ■ ■	□ □ ■ ■	▧	

NOTE: Depending on the conditions of use and the ambient temperature, the indication may differ slightly from the actual capacity.

NOTE: The first (far left) indicator lamp will blink when the battery protection system works.

Control panel

The control panel has the main power switch, the mode switching button, and the indicator of remaining battery capacity.

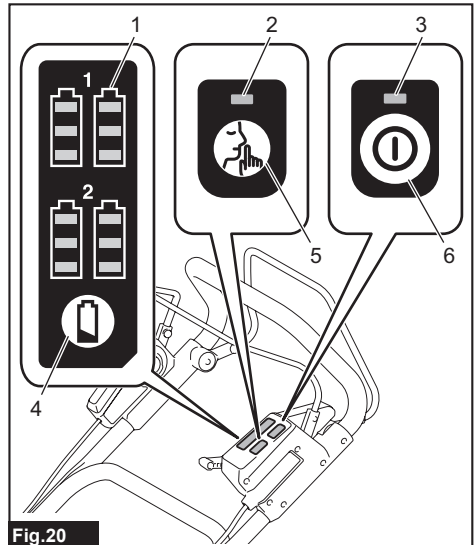


Fig.20

► 1. Battery indicator 2. Mode switching lamp 3. Main power lamp 4. Check button 5. Mode switching button 6. Main power switch

Main power switch

⚠ WARNING: Always turn off the main power switch when not in use.

To turn on the machine, press the main power switch. The main power lamp lights up in green. To turn off the machine, press the main power switch again.

NOTE: If the main power lamp lights up in red or blinks in red or green, refer to the instructions for machine/battery protection system.







NOTE: This machine employs the auto power-off function. To avoid unintentional start up, the main power switch will automatically shut down when the switch lever and drive lever (if equipped) are not pulled for a certain period after the main power switch is turned on.

Mode switching button

You can switch the operating mode by pressing the mode switching button. When the machine is turned on, the machine starts up in the normal mode. When you press the mode switching button, the machine shifts to the noise reduction mode and the mode switching lamp lights up in green. In the noise reduction mode, you can decrease the noise at mowing. When you press the mode switching button again, the machine returns to the normal mode.

Indicating the remaining battery capacity

Press the check button to indicate the remaining battery capacities. The battery indicators correspond to each battery.

Battery indicator status		Remaining battery capacity
On	Off	
		50% - 100%
		20% - 50%
		0% - 20%

NOTE: The indicator lamps for remaining battery capacity is just for a reference. The actual battery capacity may differ depending on the usage conditions.

NOTE: Before you press the check button to indicate the remaining battery capacities, stop the machine.

Switch action

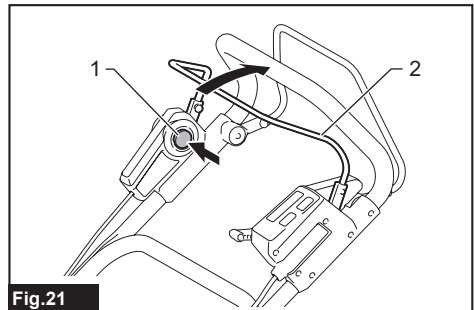
⚠ WARNING: Before installing the battery cartridge, always check to see that the switch lever actuates properly and returns to the original position when released. Operating the machine with a switch that does not actuate properly can lead to loss of control and serious personal injury.

NOTE: The mower does not start without pressing the switch button even the switch lever is pulled.

NOTE: Mower may not start due to the overload when you try to mow long or dense grass at a time. Increase the mowing height in this case.

This mower is equipped with the lock key and handle switch. If you notice anything unusual with either of the lock key or switch, stop the operation immediately and have them checked by your nearest Makita Authorized Service Center.

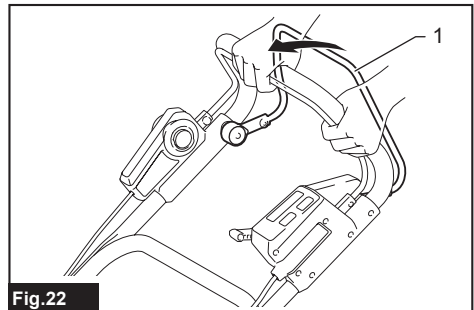
1. Install the battery cartridges. Insert the lock key, and then close the battery cover.
2. Select the battery cartridges used for operation by turning the battery selection switch.
3. Press the main power switch.
4. Pull the switch lever toward you while holding down the switch button. Release the switch button as soon as the motor starts running.



► 1. Switch button 2. Switch lever

NOTE: If the lock key is not inserted, the power lamp blinks in green when you pull the switch lever.

5. While holding the switch lever, push the drive lever forward and hold it to drive the rear wheels.



► 1. Drive lever

NOTE: You can drive the rear wheels by pushing the drive lever forward and hold it without pulling the switch lever.

- Release the drive lever and the switch lever to stop the machine.

Adjusting the mowing height

⚠ WARNING: Never put your hand or leg under the mower body when adjusting the mowing height.

⚠ WARNING: Always make sure that the lever fits in the groove properly before operation.

The mowing height can be adjusted in the range of between 20 mm and 100 mm.

Remove the lock key, and then pull the mowing height adjusting lever outward of the mower body and move it to your desired mowing height.

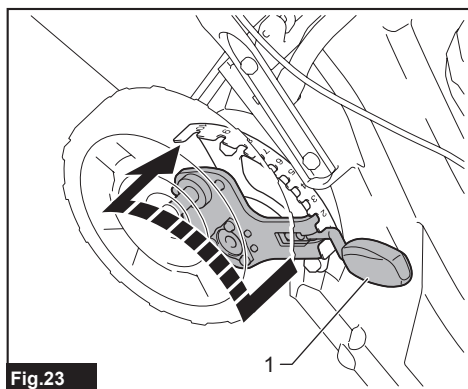


Fig.23

- Mowing height adjusting lever

The table below shows the relationship between the number on the mower body and the approximate mowing height.

Number	Mowing height
1	20 mm
2	26 mm
3	32 mm
4	39 mm
5	47 mm
6	55 mm
7	63 mm
8	74 mm
9	86 mm
10	100 mm

Hold the front grip or the lower handle with one hand, and then move the mowing height adjusting lever with the other hand.

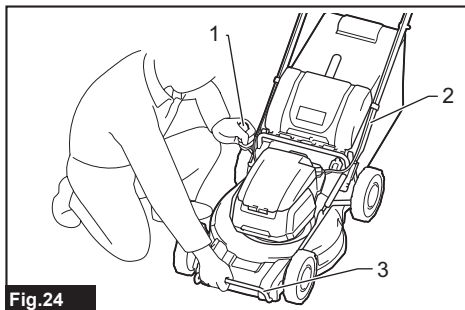


Fig.24

- Mowing height adjusting lever
- Lower handle
- Front grip

NOTE: The mowing height figures should be used just as a guideline. Depending on the conditions of the lawn or the ground, the actual lawn height may become slightly different from the set height.

NOTE: Try a test mowing of grass in a less conspicuous place to get your desired height.

Grass level indicator

Grass level indicator shows the volume of mowed grass. When the grass basket is not full, the indicator floats while the blades are running.

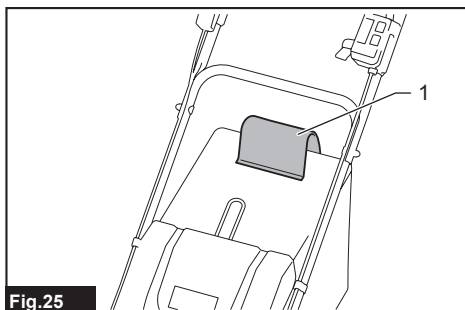


Fig.25

- Grass level indicator

When the grass basket is almost full, the indicator does not float while the blades are running. In this case, stop the operation immediately and empty the basket.

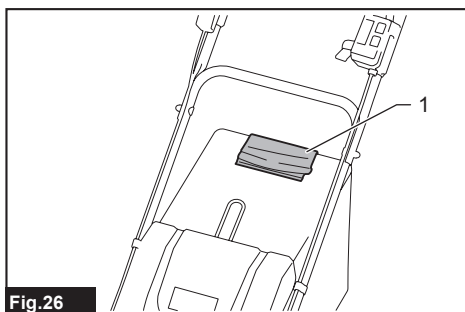


Fig.26

- Grass level indicator

NOTE: This indicator is a rough guide. Depending on the conditions of inside of the basket, this indicator may not work properly.

Adjusting the handle height

CAUTION: Before removing the bolts, hold the upper handle firmly. Otherwise, the handle may fall and cause an injury.

The handle height can be adjusted in two levels.

1. Remove the upper bolts of the lower handle using box wrench 13, and then loosen the lower bolts.

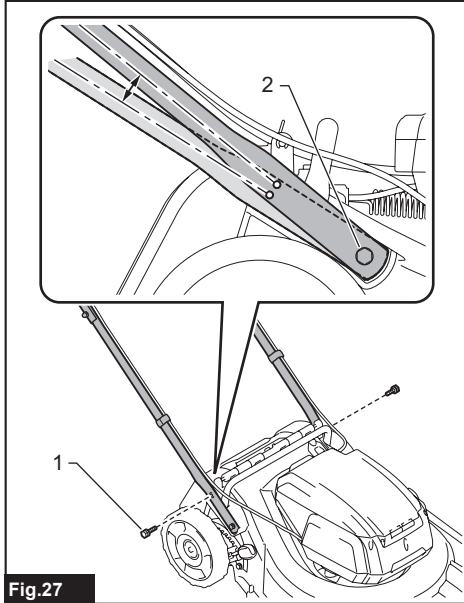


Fig.27

- 1. Upper bolt 2. Lower bolt

2. Adjust the handle height, and then tighten the upper and lower bolts firmly.

Adjusting the traveling speed

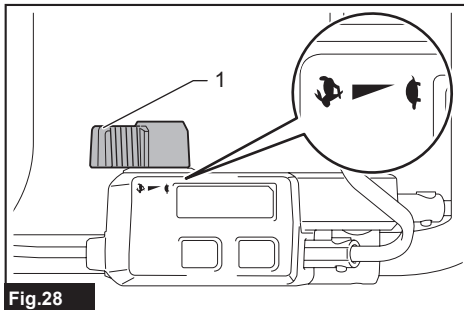


Fig.28

- 1. Speed lever

The traveling speed can be adjusted with the speed lever. To decrease the speed, pull the lever toward you, and to increase the speed, turn the lever forward.

Using mulching plug

The mulching plug allows you to return the cut grass to the ground without gathering the cut grass in the grass basket. When you operate the machine with the mulching plug, be sure to remove the grass basket.

NOTICE: When using the machine with the mulching plug, make sure that the total length of grass is 30 mm or more, or the cut length is 15 mm or less.

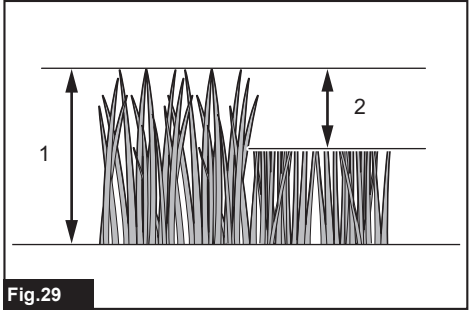


Fig.29

- (1) 30 mm or more (2) 15 mm or less

Using the rear discharge

Using the rear discharge allows you to discharge the cut grass to the ground from the rear side of the machine without gathering the cut grass in the grass basket. When you operate the machine using the rear discharge, be sure to remove the grass basket and mulching plug, and close the rear cover.

Electronic function

The machine is equipped with the electronic functions for easy operation.

- Constant speed control of blade rotation
Electronic speed control for obtaining constant speed. Possible to get fine finish, because the rotating speed is kept constant even under load condition.
- Soft start at driving
The soft-start function minimizes start-up shock, and makes the machine start smoothly.
- Electric brake
This machine is equipped with an electric brake. If the machine consistently fails to quickly stop the mower blades after releasing the switch lever, have the machine serviced at Makita Authorized Service Center.

OPERATION

Mowing

⚠ WARNING: Before mowing, clear away sticks and stones from mowing area. Furthermore, clear away any weeds from mowing area in advance.

⚠ WARNING: Always wear the safety goggles or safety glasses with side shields when operating the mower.

⚠ CAUTION: If the cut grass or foreign object blocks up inside of the mower body, be sure to remove the lock key and battery cartridge and wear gloves before removing the grass or foreign object.

NOTICE: Use this machine for mowing lawn only. Do not mow weeds with this machine.



Fig.30

Firmly hold the handle with both hands when mowing. The mowing speed guideline is approximately 7 to 14 meters per 10 seconds.

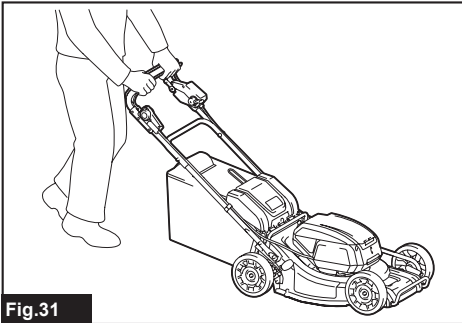


Fig.31

The center lines of the front wheels are guidelines to mowing width. Using the center lines as guidelines, mow in strips. Overlap by one half to one third the previous strip to mow the lawn evenly.

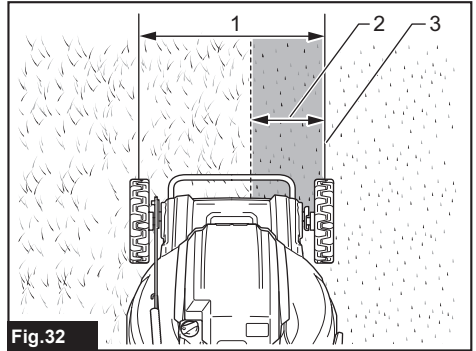


Fig.32

▶ 1. Mowing width 2. Overlapping area 3. Center line

Change the mowing direction each time to prevent the grass grain pattern from forming in just one direction.

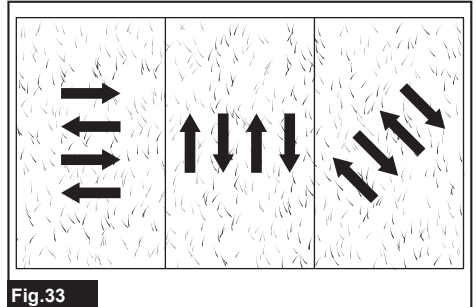


Fig.33

Periodically check the grass basket for mowed grass. Empty the grass before it becomes full. Before every periodical check, be sure to stop the mower then remove the lock key and the battery cartridge.

NOTICE: Using the mower with the grass basket full prevents smooth blade rotation and places an extra load on the motor, which may cause breakdown.

Mowing a long-grass lawn

Do not try to cut long grass all at once. Instead, mow the lawn in steps. Leave a day or two between mowings until the lawn becomes evenly short.

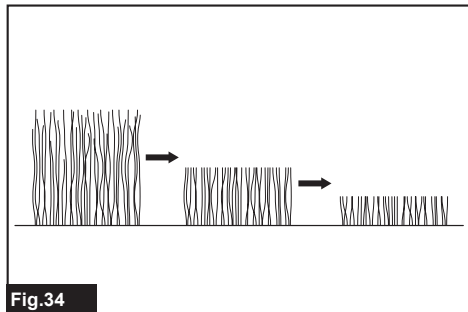


Fig.34

NOTE: Mowing long grass to a short length all at once may cause the grass to die. The cut grass may also block up inside of the mower body.

Emptying the grass basket

WARNING: To reduce a risk of accident, regularly check the grass basket for any damage or weakened strength. Replace the grass basket if necessary.

1. Release the switch lever and drive lever.
2. Remove the lock key.
3. Open the rear cover and take out the grass basket by holding the handle.

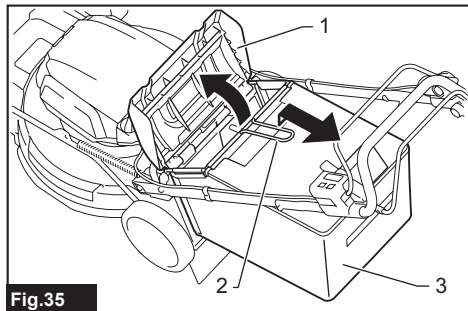


Fig.35

- 1. Rear cover 2. Handle 3. Grass basket

4. Empty the grass basket.

MAINTENANCE

WARNING: Always be sure that the lock key and battery cartridge are removed from the mower before storing or carrying the mower or attempting to perform inspection or maintenance.

WARNING: Always remove the lock key when the mower is not in use. Store the lock key in a safe place out of reach of children.

WARNING: Wear gloves when performing inspection or maintenance.

WARNING: Always wear the safety goggles or safety glasses with side shields when performing inspection or maintenance.

NOTICE: Never use gasoline, benzine, thinner, alcohol or the like. Discoloration, deformation or cracks may result.

To maintain product SAFETY and RELIABILITY, repairs, any other maintenance or adjustment should be performed by Makita Authorized or Factory Service Centers, always using Makita replacement parts.

Maintenance

1. Remove the lock key and battery cartridges, and then close the battery cover.
2. Put the mower on its side and clean grass clippings accumulated on the underside of mower deck.
3. Pour water toward the bottom of the machine to which the blade is attached.

NOTICE: Do not wash the machine with high pressure water.

4. Check all nuts, bolts, knobs, screws, fasteners etc. for tightness.
5. Inspect moving parts for damage, breakage, and wear. Damaged or missing parts should be repaired or replaced.
6. Store the mower in a safe place out of the reach of children.

NOTICE: Do not pour water to the area shown in the figure. Pouring water to the motor unit may cause a malfunction of the machine.

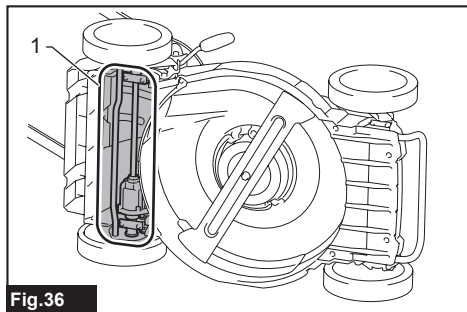


Fig.36

- 1. Area where water should not be poured

Carrying the mower

When carrying the mower, hold the front grip and rear grip with two people as shown in the figure.

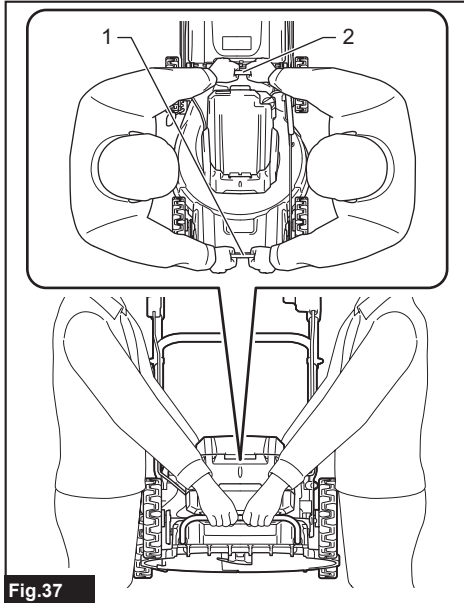


Fig.37

- 1. Front grip 2. Rear grip

Storing

Store mower indoors in a cool, dry and locked place. Don't store the mower and charger in locations where the temperature may reach or exceed 40 °C.

Removing or installing the mower blade

⚠WARNING: The blade coasts for a few seconds after releasing the switch. Do not start any operation until the blade comes to a complete stop.

⚠WARNING: Always remove the lock key and battery cartridge when removing or installing the blade. Failure to remove the lock key and battery cartridge may cause a serious injury.

⚠WARNING: Always wear gloves when handling the blade.

NOTICE: When removing or installing the mower blade, use the box wrench included in the machine package.

Removing the mower blade

For models equipped with straight mower blade

1. Put the mower on its side so that the mowing height adjusting lever comes to the upper side.
2. To lock the blade, insert the pin into a hole on the mower body.
3. Turn the bolt counterclockwise with box wrench 17.

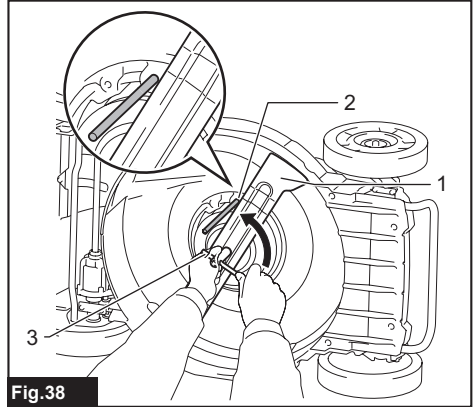


Fig.38

- 1. Mower blade 2. Pin 3. Box wrench

4. Remove the bolt, and then mower blade.

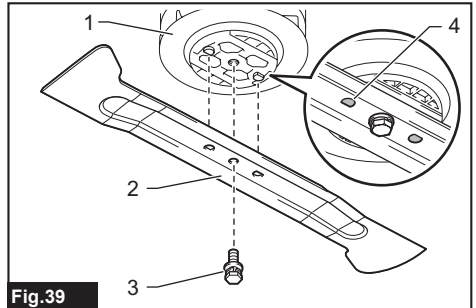


Fig.39

- 1. Blade support 2. Mower blade 3. Bolt
4. Protrusion

NOTICE: When installing the mower blade, make sure that the protrusions on the blade support fit in the holes in the mower blade.

For models equipped with swing back mower blades

1. Put the mower on its side so that the mowing height adjusting lever comes to the upper side.
2. To lock the base plate, insert the pin into a hole on the mower body through a hole on the base plate.
3. Turn the bolt counterclockwise with box wrench 17.

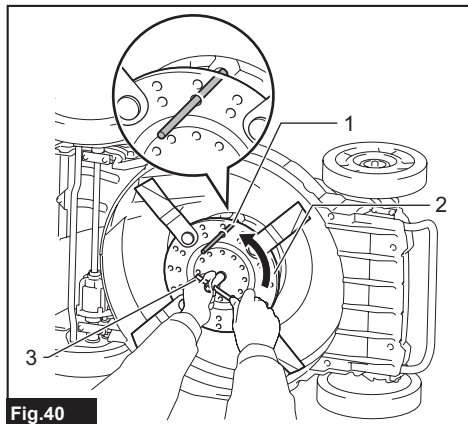


Fig.40

- 1. Pin 2. Base plate 3. Box wrench

4. Remove the bolt, and then base plate.

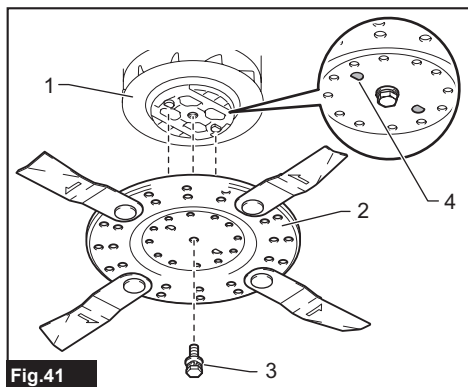


Fig.41

- 1. Blade support 2. Base plate 3. Bolt 4. Protrusion

NOTICE: When installing the mower blades, make sure that the protrusions on the blade support fit in the holes in the base plate.

5. To remove the individual mower blade, turn the bolt counterclockwise with box wrench 17 while holding the base plate.

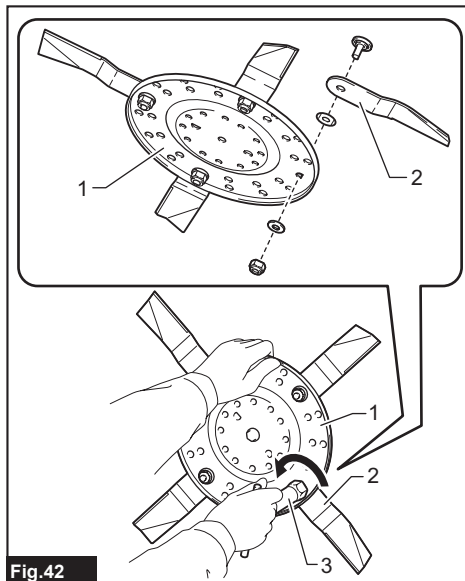


Fig.42

- 1. Base plate 2. Mower blade 3. Box wrench

6. Remove the nut, washer, spring washer, mower blade, and bolt in order.

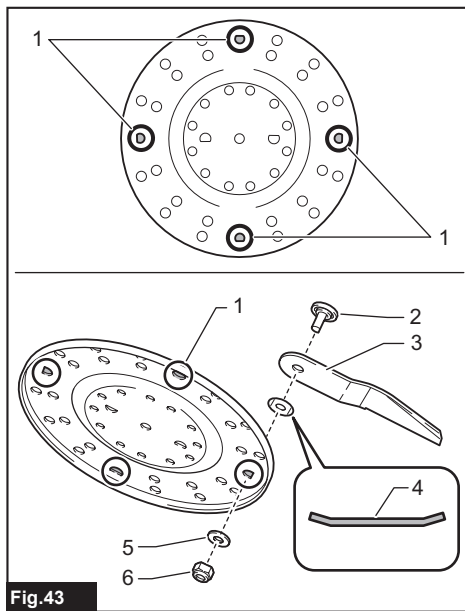


Fig.43

- 1. Bolt hole 2. Bolt 3. Mower blade 4. Spring washer
5. Washer 6. Nut

NOTICE: When tightening the nuts to install the individual mower blades, apply 30 N·m as tightening torque.

NOTICE: When installing the individual mower blade, be sure to attach the spring washer in the direction as shown in the figure.

NOTICE: When installing the individual mower blade, be sure to insert the bolts into the bolt holes shown in the figure.

Installing the mower blade

⚠WARNING: Install the mower blade carefully. It has a top/bottom facing.

⚠WARNING: Tighten the bolt clockwise firmly to secure the blade.

⚠WARNING: Make sure that the mower blade and all the fixing parts are installed correctly and tightened securely.

⚠WARNING: When you replace the blades, always follow the instructions provided in this manual.

NOTICE: When tightening the bolt to install the mower blade, apply 19 - 29 N·m as tightening torque (the values are just for a reference).

NOTICE: After installing the mower blades, remove the pin from the mower body.

To install the mower blades, perform the removal procedure in reverse.

TROUBLESHOOTING

Before asking for repairs, conduct your own inspection first. If you find a problem that is not explained in the manual, do not attempt to disassemble the machine. Instead, ask Makita Authorized Service Centers, always using Makita replacement parts for repairs.

State of abnormality	Probable cause (malfunction)	Remedy
Mower does not start.	Two battery cartridges are not installed.	Install two charged battery cartridges.
	Battery problem (under voltage)	Recharge the battery cartridge. If recharging is not effective, replace battery cartridge.
	The lock key is not inserted.	Insert the lock key.
	Battery selection switch is not in the correct position.	Select the battery port to which the battery cartridges are installed using the battery selection switch.
Motor stops running after a little use.	Battery's charge level is low.	Recharge the battery cartridge. If recharging is not effective, replace battery cartridge.
	Cutting height is too low.	Increase the cutting height.
	Cut grass is clogged in the mower.	Remove the clogged grass from the mower.
Motor does not reach maximum RPM.	Battery cartridge is installed improperly.	Install the battery cartridge as described in this manual.
	Battery power is dropping.	Recharge the battery cartridge. If recharging is not effective, replace battery cartridge.
	The drive system does not work correctly.	Ask your local authorized service center for repair.
Mower blade does not rotate: ⇒ stop the mower immediately!	Foreign object such as a branch is jammed near the blade.	Remove the foreign object.
	The drive system does not work correctly.	Ask your local authorized service center for repair.
Abnormal vibration: ⇒ stop the mower immediately!	Blade is imbalanced, excessively or unevenly worn.	Replace the blade.

OPTIONAL ACCESSORIES

⚠ CAUTION: These accessories or attachments are recommended for use with your Makita machine specified in this manual. The use of any other accessories or attachments might present a risk of injury to persons. Only use accessory or attachment for its stated purpose.

If you need any assistance for more details regarding these accessories, ask your local Makita Service Center.

- Mower blade
- Makita genuine battery and charger

NOTE: Some items in the list may be included in the product package as standard accessories. They may differ from country to country.

Makita Corporation
3-11-8, Sumiyoshi-cho,
Anjo, Aichi 446-8502 Japan
www.makita.com

885774B925 EN 20231107
