

## MAINTENANCE

### ⚠ CAUTION:

- Never use gasoline, benzene, thinner, alcohol or the like. Discoloration, deformation or cracks may result

## Specification

### Amplifier

Output power	10.8V:3.5W 14.4V:6W 18V:10W
Frequency response	50Hz~20kHz

### Aux In

Input sensitivity	250mVrms @100Hz
-------------------	-----------------

### Speaker

Main speaker	101.6mm 8 ohm 10W
Tweeter speaker	36mm 8ohm 10W

### Bluetooth

Bluetooth version	4.0
Bluetooth profiles	A2DP/ SCMS-T/ AVRCP
Transmission power	Bluetooth specification power Class 2
Transmission range	Max. 10m (varies according to usage conditions)
Supported codec	SBC
Compatible Bluetooth profile	A2DP

### General

AC power adaptor	DC in 12V 1.5A, center pin positive
Battery	Slide battery: 10.8 V/ 14.4 V/ 18 V
Weight	2.7KG (without battery)

The company reserves the right to amend the specification without notice.

Makita Corporation  
3-11-8, Sumiyoshi-cho,  
Anjo, Aichi 446-8502 Japan

3A81b35Z4000A  
DMR200(12VMAX)-ENAU-1608

[www.makita.com](http://www.makita.com)

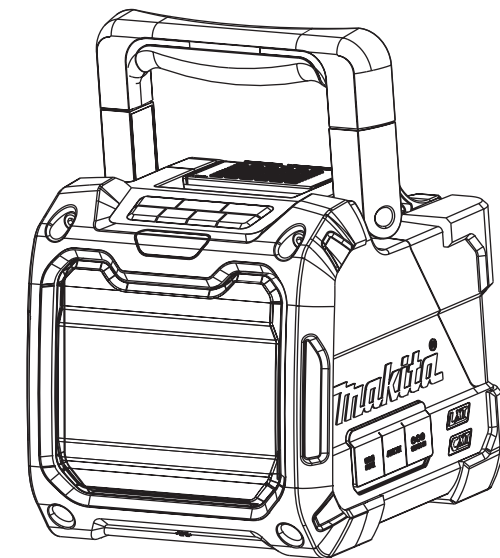
SJN



ENGLISH (Original instructions)

# Cordless Job Site Speaker

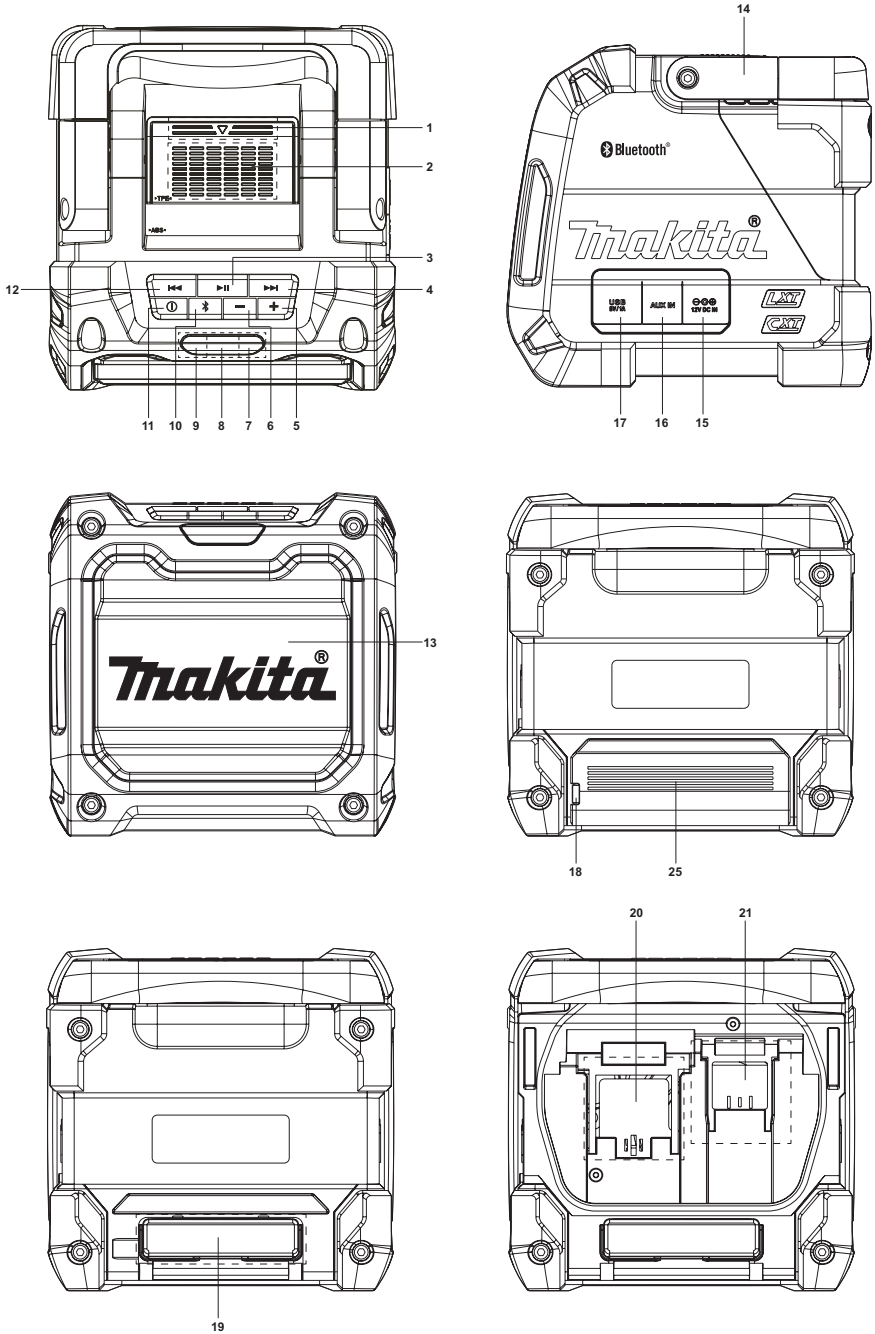
## DMR200

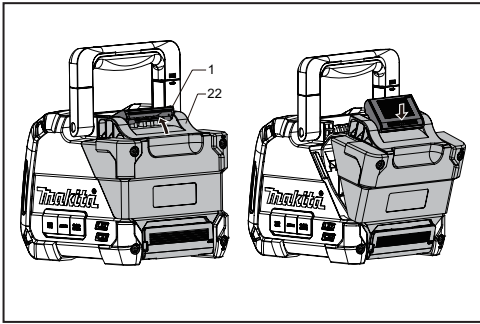


INSTRUCTION MANUAL

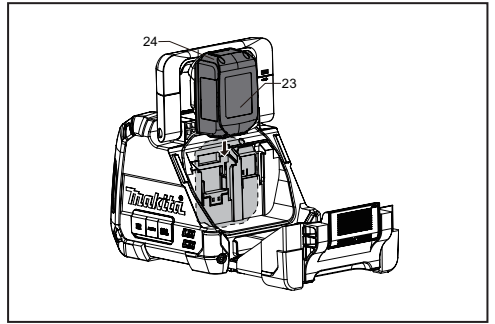
**IMPORTANT:** Read Before Using

# Explanation of general view

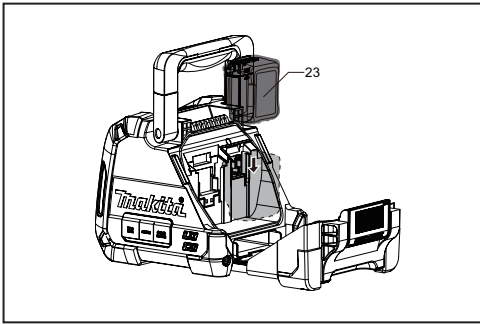




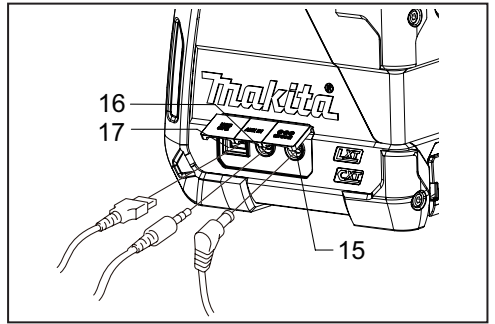
2



3



4



5

## ENGLISH (Original instructions)

### Symbols

The following show the symbols used for the equipment. Be sure that you understand their meaning before use.



Read instruction manual.

## IMPORTANT SAFETY INSTRUCTIONS

### ⚠WARNING:

When using electric tools, basic safety precautions should always be followed to reduce the risk of fire, electric shock, and personal injury, including the following:

1. Read this instruction manual and the charger instruction manual carefully before use.
2. Clean only with dry cloth.
3. Do not install near any heat sources such as radiators, heat registers, stoves, or other apparatus (including amplifiers) that produce heat.
4. Only use attachments/accessories specified by the manufacturer.
5. Unplug this apparatus during lightning storms or when unused for long periods of time.
6. A battery operated speaker with integral batteries or a separate battery pack must be recharged only with the specified charger for the battery. A charger that may be suitable for one type of battery may create a risk of fire when used with another battery.
7. Use battery operated speaker only with specifically designated battery packs. Use of any other batteries may create a risk of fire.
8. When battery pack is not in use, keep it away from other metal objects like: paper clips, coins, keys, nails, screws, or other small metal objects that can make a connection from one terminal to another. Shorting the battery terminals together may cause sparks, burns, or a fire.
9. Avoid body contact with grounded surfaces such as pipes, radiators, ranges and refrigerators. There is an increased risk of electric shock if your body is grounded.
10. Under abusive conditions, liquid may be ejected from the battery; avoid contact. If contact accidentally occurs, flush with water. If liquid contacts eyes, additionally seek medical help. Liquid ejected from the battery may cause irritation or burns.
11. The MAINS plug is used as the disconnect device, and it shall remain readily operable.

## SAVE THESE INSTRUCTIONS

## SPECIFIC SAFETY RULES

### FOR BATTERY CARTRIDGE

1. Before using battery cartridge, read all instructions and cautionary markings on (1) battery charger, (2) battery, and (3) product using battery.
2. Do not disassemble battery cartridge.
3. If operating time has become excessively shorter, stop operating immediately. It may result in a risk of overheating, possible burns and even an explosion.

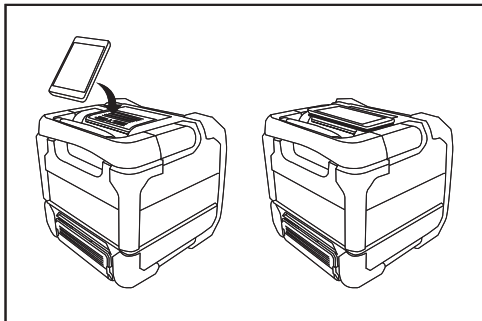
4. If electrolyte gets into your eyes, rinse them out with clear water and seek medical attention right away. It may result in loss of your eyesight.
5. Do not short the battery cartridge:
  - (1) Do not touch the terminals with any conductive material.
  - (2) Avoid storing battery cartridge in a container with other metal objects such as nails, coins, etc.
  - (3) Do not expose battery cartridge to water or rain. A battery short can cause a large current flow, overheating, possible burns and even a breakdown.
6. Do not store the tool and battery cartridge in locations where the temperature may reach or exceed 50 °C(122°F)
7. Do not incinerate the battery cartridge even if it is severely damaged or is completely worn out. The battery cartridge can explode in a fire.
8. Be careful not to drop or strike battery.
9. Do not use a damaged battery.

### Tips for maintaining maximum battery life

1. Charge the battery cartridge before completely discharged. Always stop tool operation and charge the battery cartridge when you notice less tool power.
2. Never recharge a fully charged battery cartridge. Overcharging shortens the battery service life.
3. Charge the battery cartridge with room temperature at 10 °C - 40 °C (50 °F - 104 °F). Let a hot battery cartridge cool down before charging it.
4. Charge the battery cartridge if you do not use it for a long period (more than six months).

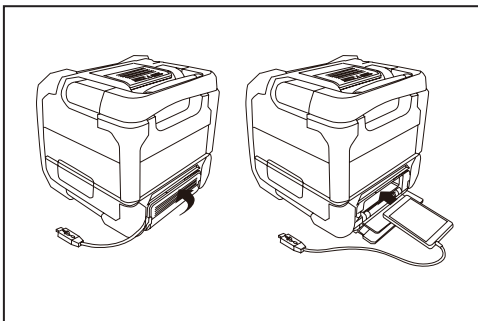
## Explanation of general view (Fig.1)

1. Battery compartment locker
2. Mobile (Cell phone) placing panel



3. Play/Pause button
4. Next track button/Fast-forward button
5. Volume up button
6. Volume down button
7. Aux in indicator
8. Volume max. or min. indicator/ Low battery indicator
9. Bluetooth indicator
10. Bluetooth pairing button
11. Power button
12. Previous track button/ Rewind button
13. Speaker
14. Handle
15. DC in socket
16. Auxiliary input socket
17. USB charging socket

18. Cable hole
19. Mobile (Cell phone) storage cabinet



20. 14.4 V/18V battery terminal
21. 10.8 V battery terminal
22. Battery cover
23. Battery cartridge
24. Button
25. Mobile storage cabinet cover

## Power

The speaker can be powered by Makita battery packs or a standard wall outlet.

## Power by battery

The following table indicates the operating time on a single charge.

Battery capacity	Battery Cartridge Voltage			AT SPEAKER OUTPUT = 100mW (unit: Hour) (Approximately)			
	10.8V -12Vmax	14.4V	18V	AUX IN	Bluetooth	AUX IN +USB(2.1A)	Bluetooth +USB(2.1A)
1.3Ah		BL1415	BL1815	7.5	7.0		1.0
1.5Ah	BL1016			12	11		1.0
		BL1415N		10	9.0		1.0
2.0Ah			BL1815N	9.5	9.0		1.5
	BL1021B			15	14		1.0
3.0Ah		BL1430/ BL1430B		16	15		2.0
			BL1820/ BL1820B	13	12		2.0
4.0Ah			BL1830/ BL1830B	18	17		3.0
	BL1041B			31	28		2.5
5.0Ah		BL1440		26	24		3.0
			BL1840/ BL1840B	25	24		4.0
6.0Ah		BL1450		31	29		3.5
			BL1850/ BL1850B	32	31		5.5
6.0Ah		BL1460B		34	32		4.0
			BL1860B	39	37		6.5

## Installing or removing slide battery cartridge (Fig. 3 and 4)

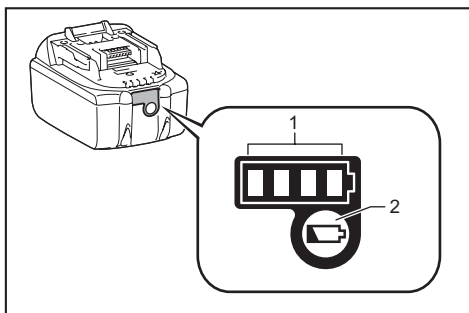
- To install the battery cartridge, align the tongue on the battery cartridge with the groove in the housing and slip it into place. Always insert it all the way until it locks in place with a little click.
- If you can see the red indicator on the upper side of the button, it is not locked completely. Install it fully until the red indicator cannot be seen. If not, it may accidentally fall out of the tool, causing injury to you or someone around you.
- Do not use force when inserting the battery cartridge. If the cartridge does not slide in easily, it is not being inserted correctly.
- To remove the battery cartridge, sliding it from the tool while pressing the button on the front of the cartridge.

### Note:

When the speaker is in low battery, the middle LED will flash in red.

## Indicating the remaining battery capacity

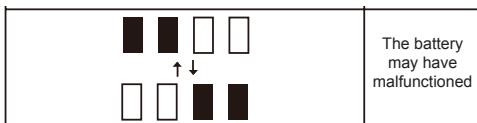
Only for battery cartridges with "B" at the end of the model number



- 1. Indicator lamps 2. Check button

Press the check button on the battery cartridge to indicate the remaining battery capacity. The indicator lamps light up for few seconds.

Indicator lamps			Remaining capacity
Lighted	Off	Blinking	
■	■	■	75% to 100%
■	■	□	50% to 75%
■	□	□	25% to 50%
■	□	□	0% to 25%
▬	□	□	Charge the battery



**NOTE:** Depending on the conditions of use and the ambient temperature, the indication may differ slightly from the actual capacity.

## Using Supplied AC power adaptor (Fig. 5)

Remove the rubber protector and insert the adaptor plug into the DC socket on the right side of the speaker. Plug the adaptor into a standard mains socket outlet. Whenever the adaptor is used, the battery pack is automatically disconnected. The AC adaptor should be disconnected from the main supply when not in use.

### IMPORTANT:

The mains adaptor is used as the means of connecting the speaker to the mains supply. The mains socket used for the speaker must remain accessible during normal use. In order to disconnect the speaker from the mains completely, the mains adaptor should be removed from the mains outlet completely.

## USB power supply socket

This jack can be used to charge a mobile phone or any other device that uses less than 2.1A of DC current. Charging will only occur when the speaker is switched on. **Note:** Ensure the specification of your external device such as mobile phone, mp3 player or iPod is compatible with the speaker. Please read instruction manual of your external device before charging.

### IMPORTANT:

- Before connecting USB device to the charger, always backup your data of USB device. Otherwise your data may lose by any possibility.
- The charger may not supply power to some USB devices.
- When not using or after charging, remove the USB cable and close the cover.
- Do not connect power source to USB port. Otherwise there is risk of fire. The USB port is only intended for charging lower voltage device.
- Do not insert a nail, wire, etc. into USB power supply port. Otherwise a circuit short may cause smoke and fire.
- Do not connect this USB socket with your PC USB port, as it is highly possible that it may cause breakdown of the units.


## Pairing and connecting a device to the speaker

You need to pair your Bluetooth device with the speaker before you can auto-link to play/stream Bluetooth music through the speaker. Pairing creates a 'bond' so two

devices can recognize each other.

To have the better sound quality, we recommend setting the volume to more than two-thirds level on your Bluetooth device and then adjust the volume on the speaker as required.

## Pairing and playing your Bluetooth device for the first time



1. Press the Power button  to turn on the speaker and the Bluetooth indicator will flash in blue. The indicator flashes fast flashing blue indicating the speaker is discoverable.
2. Activate Bluetooth on your device according to the device's user manual to link to the speaker. Locate the Bluetooth device list and select the device named 'DMR200.' With some mobiles (which are equipped with earlier versions than BT2.1 Bluetooth device), you may need to input the pass code "0000".
3. Once connected, there will be a beep sound and the Bluetooth indicator will remain in solid blue. You can simply select and play any music from your source device. Volume control can be adjusted from your source device, or directly from the speaker.
4. Use the controls on your Bluetooth-enabled device or on the speaker to play/pause and navigate tracks.






### Note:

1. If 2 Bluetooth devices, pairing for the first time, both search for the speaker, it will show its availability on both devices. However, if one device links with this unit first, then the other Bluetooth device won't find it on the list.
2. If your Bluetooth device is temporarily disconnected to the speaker, then you need to manually reconnect your device again to the speaker.
3. If 'DMR200' shows in your Bluetooth device list but your device cannot connect with it, please delete the item from your list and pair the device with the speaker again following the steps described previously.
4. The effective operation range between the system and the paired device is approximately 10 meters (30 feet). Any obstacle between the system and the device can reduce the operational range.
5. Bluetooth connectivity performance may vary depending on the connected Bluetooth devices. Please refer to the Bluetooth capabilities of your device before connecting to the speaker. All features may not be supported on some paired Bluetooth devices.

## Playing audio files in Bluetooth mode

When you have successfully connected the speaker with the chosen Bluetooth device you can start to play your music using the controls on your connected Bluetooth device.

1. Once playing has started adjust the volume to the required setting using the Volume buttons   on the speaker or on your enabled Bluetooth device. When you press the Volume up/down button, the volume indicator will flash in fast flashing red. If the indicator light in solid red, it indicates the volume is in maximum volume or minimum volume.

2. Use the controls on your device to play/pause and navigate tracks. Alternatively, control the playback using Play/Pause () , Next track () , Previous track buttons () on the speaker.
3. Press and hold the Next track  or Previous button  to fast-forward/Rewind the current track. Release the button when the desired point in the track is reached.


### Note:

1. That not all player applications or devices may respond to all of these controls.
2. Some mobile phones may temporarily disconnect from the speaker when you make or receive calls. Some devices may temporarily mute their Bluetooth audio streaming when they receive text messages, emails or for other reasons unrelated to audio streaming. Such behaviour is a function of the connected device and does not indicate a fault with the speaker.

## Speaker memory and reconnecting a device

The speaker can memorize up to 8 sets of paired device, when the memory exceed this amount, the oldest pairing history will be over written. If your Bluetooth device already paired with the speaker previously, the unit will memorize your Bluetooth device and it attempts to reconnect with a device in memory which is last connected. If the last connected device is not available, the speaker will be discoverable.

## Disconnecting your Bluetooth device

Press and hold the Bluetooth pairing button  for 2-3 seconds to disconnect with your Bluetooth device. The Bluetooth indicator flashes in blue indicating the speaker is discoverable again for pairing.

## Playing music via auxiliary input socket

A 3.5mm Auxiliary input socket is provided on the right side of the unit to permit an audio signal to be fed into the unit from any devices that features a headphone or audio output, such as an iPod, MP3 or CD player.

1. Connect a stereo or mono audio source (for example, iPod, MP3 or CD player) to the Auxiliary input socket (marked 'AUX') and the Aux in indicator turns green indicating the speaker is in auxiliary input mode.
2. Adjust the Volume control on your iPod, MP3 or CD player to ensure an adequate signal and then adjust the volume on the speaker for comfortable listening.
3. To have the better sound quality, we recommend setting the volume to more than two-thirds level on your audio device and then adjust the volume on the speaker as required.

### Note:

When Aux in socket is connected an audio device, Bluetooth function will be disabled to minimize power consumption.