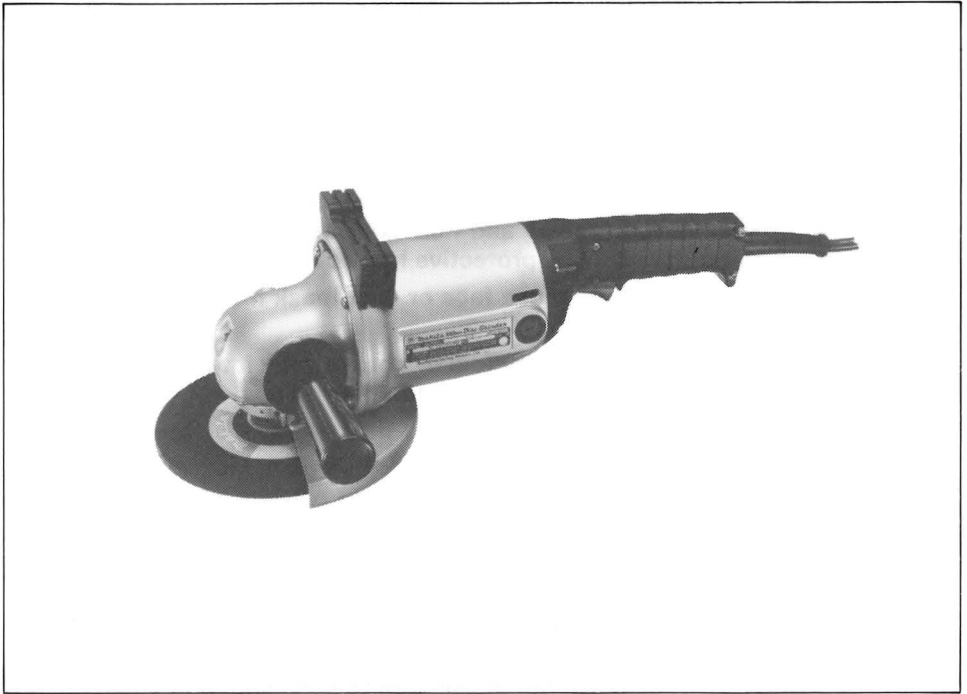


# Makita

## Disc Grinder

**180 mm (7'')**    **MODEL GA7001**  
**180 mm (7'')**    **MODEL GA7001L**

### INSTRUCTION MANUAL



#### SPECIFICATIONS

MODEL	No load speed (RPM)	Overall length	Net weight	Spindle thread
GA7001	8,000	411.5 mm (16-1/4'')	5.7 kg (12.6 lbs)	DIN
GA7001L	6,000	411.5 mm (16-1/4'')	5.7 kg (12.6 lbs)	DIN

\* Manufacturer reserves the right to change specifications without notice.

\* Note: Specifications may differ from country to country.

## IMPORTANT SAFETY INSTRUCTIONS

**WARNING:** When using electric tools, basic safety precautions should always be followed to reduce the risk of fire, electric shock, and personal injury, including the following:

### READ ALL INSTRUCTIONS.

1. **KEEP WORK AREA CLEAN.** Cluttered areas and benches invite injuries.
2. **CONSIDER WORK AREA ENVIRONMENT.** Don't use power tools in damp or wet locations. Keep work area well lit. Don't expose power tools to rain. Don't use tool in presence of flammable liquids or gases.
3. **KEEP CHILDREN AWAY.** All visitors should be kept away from work area. Don't let visitors contact tool or extension cord.
4. **STORE IDLE TOOLS.** When not in use, tools should be stored in dry, and high or locked-up place — out of reach of children.
5. **DON'T FORCE TOOL.** It will do the job better and safer at the rate for which it was intended.
6. **USE RIGHT TOOL.** Don't force small tool or attachment to do the job of a heavy-duty tool. Don't use tool for purpose not intended.
7. **DRESS PROPERLY.** Don't wear loose clothing or jewelry. They can be caught in moving parts. Rubber gloves and non-skid footwear are recommended when working outdoors. Wear protective hair covering to contain long hair.
8. **USE SAFETY GLASSES.** Also use face or dust mask if cutting operation is dusty.
9. **DON'T ABUSE CORD.** Never carry tool by cord or yank it to disconnect from receptacle. Keep cord from heat, oil, and sharp edges.
10. **SECURE WORK.** Use clamps or a vise to hold work. It's safer than using your hand and it frees both hands to operate tool.
11. **DON'T OVERREACH.** Keep proper footing and balance at all times.
12. **MAINTAIN TOOLS WITH CARE.** Keep tools sharp and clean for better and safer performance. Follow instructions for lubricating and changing accessories. Inspect tool cords periodically and if damaged, have repaired by authorized service facility. Inspect extension cords periodically and replace if damaged. Keep handles dry, clean, and free from oil and grease.
13. **DISCONNECT TOOLS.** When not in use, before servicing, and when changing accessories, such as blades, bits, cutters.
14. **REMOVE ADJUSTING KEYS AND WRENCHES.** Form habit of checking to see that keys and adjusting wrenches are removed from tool before turning it on.
15. **AVOID UNINTENTIONAL STARTING.** Don't carry plugged-in tool with finger on switch. Be sure switch is OFF when plugging in.
16. **OUTDOOR USE EXTENSION CORDS.** When tool is used outdoors, use only extension cords intended for use outdoors and so marked.

17. **STAY ALERT.** Watch what you are doing, use common sense. Don't operate tool when you are tired.
18. **CHECK DAMAGED PARTS.** Before further use of the tool, a guard or other part that is damaged should be carefully checked to determine that it will operate properly and perform its intended function. Check for alignment of moving parts, binding of moving parts, breakage of parts, mounting, and any other conditions that may affect its operation. A guard or other part that is damaged should be properly repaired or replaced by an authorized service center unless otherwise indicated elsewhere in this instruction manual. Have defective switches replaced by authorized service center. Don't use tool if switch does not turn it on and off.
19. **GUARD AGAINST ELECTRIC SHOCK.** Prevent body contact with grounded surfaces. For example; pipes, radiators, ranges, refrigerator enclosures.
20. **PROPER GROUNDING.** This tool should be grounded while in use to protect the operator from electric shock.
21. **EXTENSION CORDS:** Use only three-wire extension cords which have three-prong grounding-type plugs and three-pole receptacles which accept the tool's plug. Replace or repair damaged or worn cord immediately.

**VOLTAGE WARNING:** Before connecting the tool to a power source (receptacle, outlet, etc.) be sure the voltage supplied is the same as that specified on the nameplate of the tool. A power source with voltage greater than that specified for the tool can result in **SERIOUS INJURY** to the user — as well as damage to the tool. If in doubt, **DO NOT PLUG IN THE TOOL.** Using a power source with voltage less than the nameplate rating is harmful to the motor.

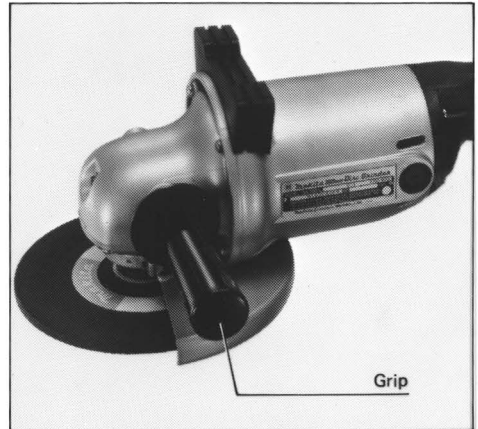
## ADDITIONAL SAFETY RULES

1. Keep guards in place.
2. Use only wheels having a maximum operating speed at least as high as “No Load RPM” marked on the tool’s nameplate. When using depressed center wheels, be sure to use only fiberglass-reinforced wheels.
3. Check the wheel carefully for cracks or damage before operation. Replace cracked or damaged wheel immediately.
4. Use only flanges specified for this tool.
5. Be careful not to damage the spindle, the flange (especially the installing surface) or the lock nut. Damage to these parts could result in wheel breakage.
6. Hold the tool firmly.
7. Keep hands away from rotating parts.
8. Make sure the wheel is not contacting the workpiece before the switch is turned on.
9. Before using the tool on an actual workpiece, let it run for a while. Watch for vibration or wobbling that could indicate poor installation or a poorly balanced wheel.
10. Use the specified surface of the wheel to perform the grinding.
11. Watch out for flying sparks. Hold the tool so that sparks fly away from you and other persons or flammable materials.
12. Do not leave the tool running. Operate the tool only when hand-held.
13. Do not touch the workpiece immediately after operation; it may be extremely hot and could burn your skin.

**SAVE THESE INSTRUCTIONS.**

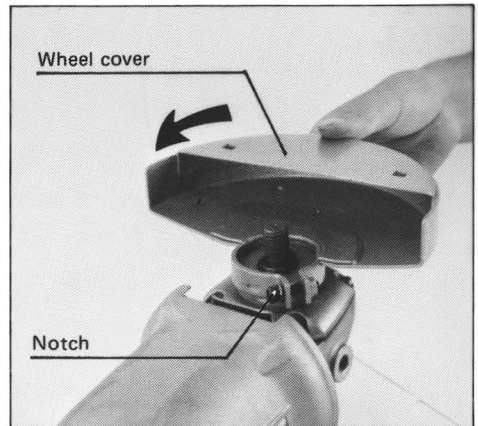
### Installing side grip (auxiliary handle)

Screw the side grip on the tool securely. The side grip can be installed on either side of the tool, whichever is convenient.



### Installing wheel guard

When using a depressed center wheel or an abrasive cut-off wheel, always use a wheel guard. Mount the wheel guard with the tab on the wheel guard band aligned with the notch on the bearing box. Then rotate the wheel guard 180 degrees counterclockwise. Be sure to tighten the screw securely.

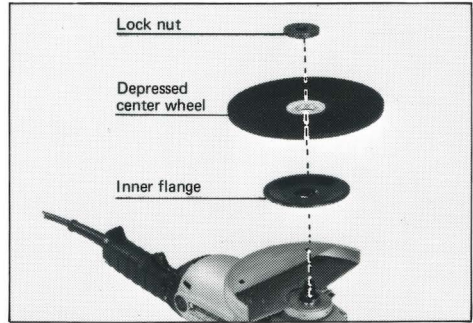


## Installing or removing depressed center wheel

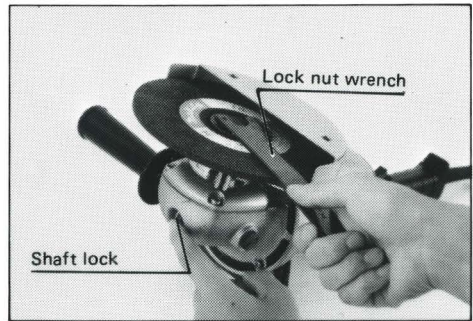
### CAUTION:

Always be sure that the tool is switched off and unplugged before installing or removing the wheel.

Mount the inner flange onto the spindle. Fit the wheel on over the inner flange and screw the lock nut onto the spindle.



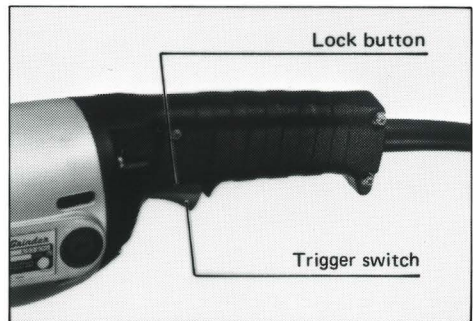
To tighten the lock nut, press the shaft lock firmly so that the spindle cannot revolve, then use the lock nut wrench and securely tighten clockwise.



To remove the wheel, follow the installation procedure in reverse.

### Switch action

To start the tool, simply pull the trigger. Release the trigger to stop. For continuous operation, pull the trigger and then push in the lock button. To stop the tool from the locked position, pull the trigger fully, then release it.



### CAUTION:

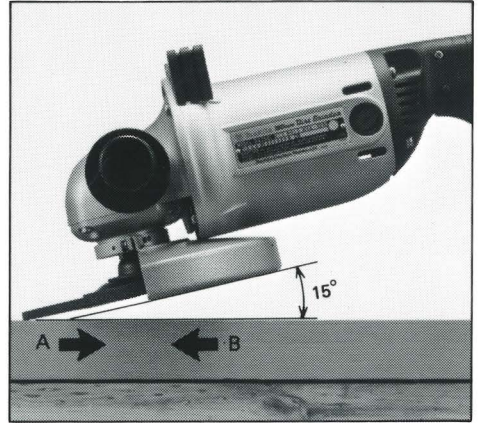
Before plugging in the tool, always check to see that the trigger switch actuates properly and returns to the "OFF" position when released.

## Operation

Hold the tool firmly. Turn the tool on and then apply the wheel or disc to the workpiece.

In general, keep the edge of the wheel or disc at an angle of about  $15^\circ$  to the workpiece surface.

During the break-in period with a new wheel, do not work the grinder in the B direction or it will cut into the workpiece. Once the edge of the wheel has been rounded off by use, the wheel may be worked in both A and B directions.



## WARNING:

- It should never be necessary to force the tool. The weight of the tool applies adequate pressure. Forcing and excessive pressure could cause dangerous wheel breakage.
- Continued use of a worn-out wheel may result in wheel explosion and serious personal injury. Depressed center wheel should not be used after it has been worn down to 115 mm (4-1/2") in diameter. Use of the wheel after this point is unsafe and it should be removed from service and rendered unusable by intentional destruction.

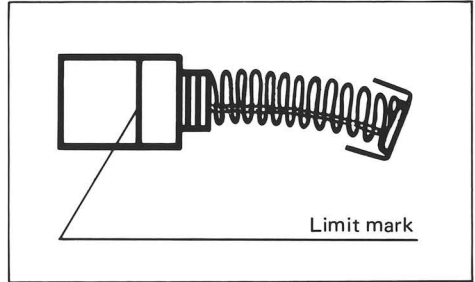
## MAINTENANCE

### CAUTION:

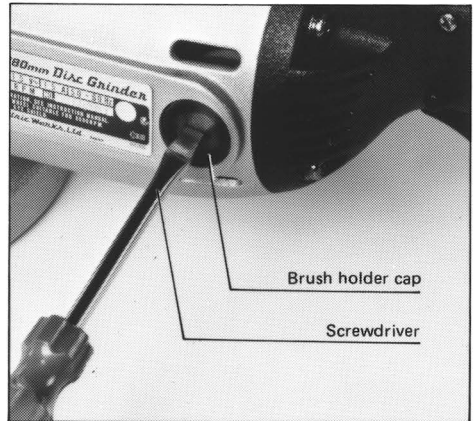
Always be sure that the tool is switched off and unplugged before attempting to perform inspection or maintenance.

### Replacing carbon brushes

Remove and check the carbon brushes regularly. Replace when they wear down to the limit mark. Keep the carbon brushes clean and free to slip in the holders. Both carbon brushes should be replaced at the same time. Use only Makita carbon brushes.



Use a screwdriver to remove the brush holder caps. Take out the worn carbon brushes, insert the new ones and secure the brush holder caps.



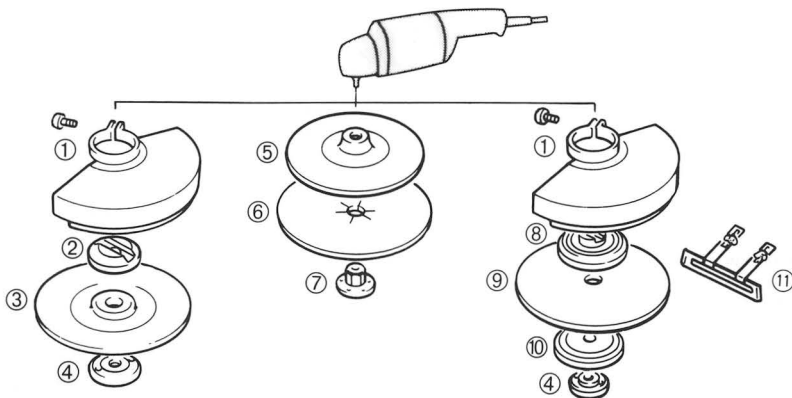
To maintain product SAFETY and RELIABILITY, repairs, any other maintenance or adjustment should be performed by Makita Authorized or Factory Service Centers, always using Makita replacement parts.



# ACCESSORIES

## CAUTION:

These accessories or attachments are recommended for use with your Makita tool specified in this manual. The use of any other accessories or attachments might present a risk of injury to persons. The accessories or attachments should be used only in the proper and intended manner.



- ① **Wheel cover**  
Part No. 164825-7



- ② **Inner flange 42**  
(For depressed center wheel)  
Part No. 224267-8



- ③ **Depressed center wheel**



- ④ **Lock nut 45**  
(For depressed center wheel)  
Part No. 224543-0



Part No.	Grit	Size (mm)
741425-6	24	180 x 6 x 22
741426-4	36	(7" x 1/4" x 7/8")

- ⑤ **Rubber pad**  
Part No. 743012-7



- ⑦ **Sanding lock nut 48**  
(For abrasive disc)  
Part No. 224515-5



- ⑧ **Inner flange 78**  
(For cut-off wheel)  
Part No. 224257-1



- ⑩ **Outer flange 78**  
(For cut-off wheel)  
Part No. 224256-3



- **Flexible grinding wheel**  
(10 per pkg.)

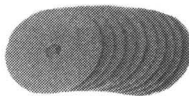


Part No.	Grit	Size (mm)
794265-1	36	180 x 6 x 22 (7" x 1/4" x 7/8")  (includes one back up pad, Part No. 743027-4)
794233-4	46	
794234-2	60	
794235-0	80	
794236-8	100	

- **Wire cup brush 110**  
Part No. 794372-0

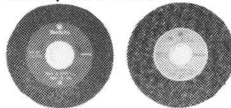


- ⑥ **Abrasive disc**  
(10 per pkg.)



Part No.	Grit	Size (mm)
794091-8	16	180 (7")
794092-6	20	
794093-4	24	
794218-0	30	
794094-2	50	
794095-0	80	
794220-3	100	
794221-1	120	

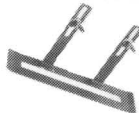
- ⑨ **Cut off wheel**  
A36: For all ferrous materials  
(steel, cast iron).



Part No.	Grit	Size (mm)
792172-2	A36	180 x 3 x 22 (7" x 1/8" x 7/8")

For all ferrous materials (steel, cast iron) and other hard metals.

- ⑪ **Base assembly**  
Part No. STEX123048



- **Lock nut wrench 35**  
Part No. 782407-9



- **Grip 37**  
Part No. 273480-5

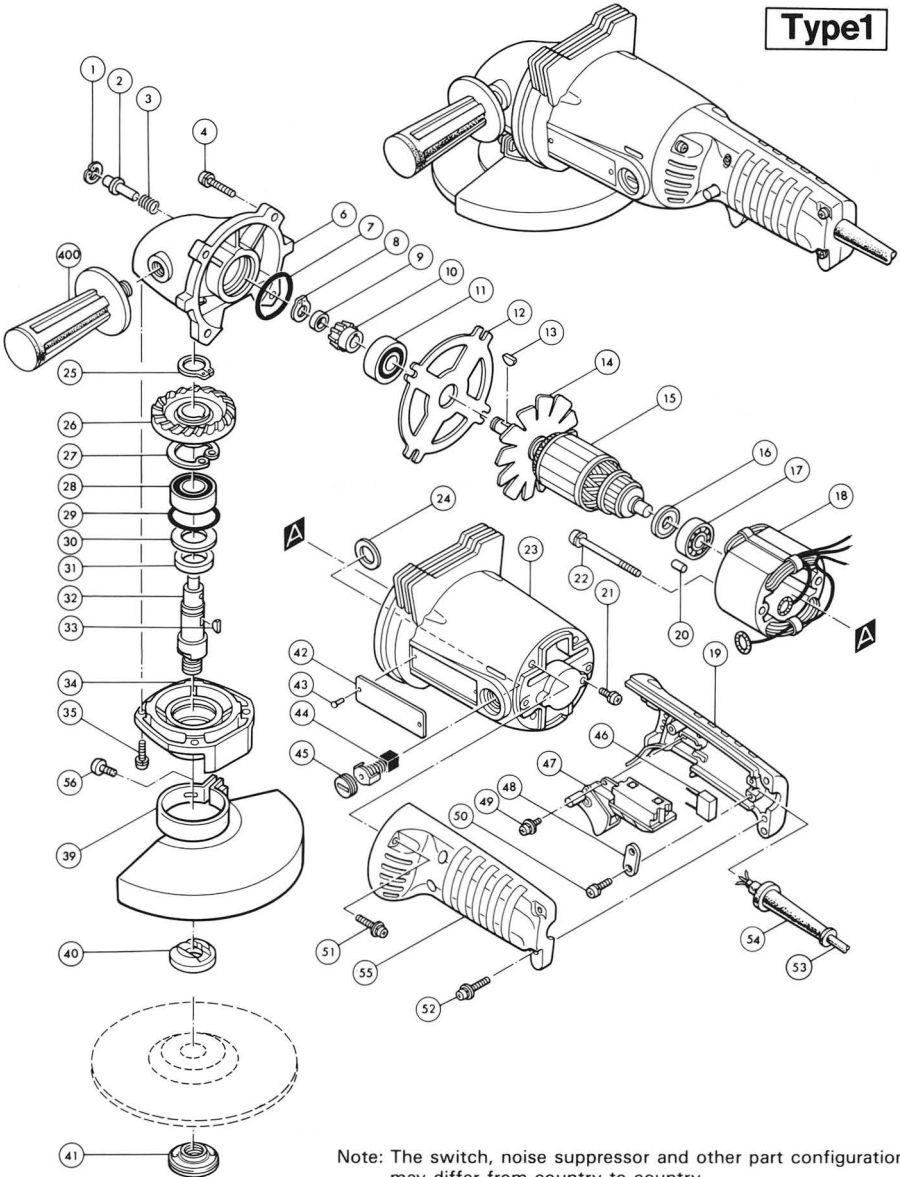


- **Loop handle**  
Part No. 192246-3



# 180 mm (7") DISC GRINDER Model GA7001 Model GA7001L

**Type1**



Note: The switch, noise suppressor and other part configurations may differ from country to country.

ITEM NO.	NO. USED	DESCRIPTION	ITEM NO.	NO. USED	DESCRIPTION
<u>MACHINE</u>			<u>MACHINE</u>		
1	1	Retaining Ring R-12	27	1	Retaining Ring R-40
2	1	Pin 6	28	1	Ball Bearing 6203LLB
3	1	Compression Spring 7	29	1	O Ring 40
4	4	Pan Head Screw M5x22 (With Washer)	30	1	Fiat Washer 28
6	1	Gear Housing	31	1	Felt Ring 25
7	1	O Ring 36	32	1	Spindle
8	1	Retaining Ring	33	1	Woodruff Key 4
		S-12 For Model GA7001	34	1	Bearing Box
		S-11 For Model GA7001L	35	4	Pan Head Screw M5x18 (With Washer)
9	1	Ring 11 For Model GA7001L	39	1	Wheel Cover
10	1	Spiral Bevel Gear	40	1	Inner Flange
		15 For Model GA7001	41	1	Lock Nut
		17 For Model GA7001L	42	1	Name Plate
11	1	Ball Bearing 6301LLB	43	2	Rivet 0-5
12	1	Plate	44	2	Carbon Brush
13	1	Woodruff Key 4	45	2	Brush Holder Cap
14	1	Fan 100	46	1	Noise Suppressor
15	1	ARMATURE ASSEMBLY (With Item 14 - 17)	47	1	Switch
16	1	Dust Seal 10	48	1	Strain Relief
17	1	Ball Bearing 6200LB	49	2	Pan Head Screw M4x10 (With Washer)
18	1	FIELD ASSEMBLY	50	2	Pan Head Screw M4x18 (With Washer)
19	1	Handle Set (With Item 55)	51	4	Pan Head Screw M5x22 (With Washer)
20	1	Rubber Pin 4	52	3	Pan Head Screw M4x25 (With Washer)
21	1	Pan Head Screw M4x8 (With Washer)	53	1	Cord
22	2	Pan Head Screw M5x65 (With Washer & Bond)	54	1	Cord Guard
23	1	Motor Housing	55	1	Handle Set (With Item 19)
24	2	Insulation Washer	56	1	Pan Head Screw M6x25 (With Washer)
25	1	Retaining Ring S-17	400	1	Grip
26	1	Spiral Bevel Gear			
		38 For Model GA7001			
		58 For Model GA7001L			

Note: The switch, noise suppressor and other part specifications may differ from country to country.

**Makita Corporation**  
 Anjo, Aichi Japan  
 Made in Japan

883271D999

PRINTED IN JAPAN  
 1998-7E