



Heat Gun

# INSTRUCTION MANUAL

IMPORTANT: Read Before Using



DOUBLE INSULATION

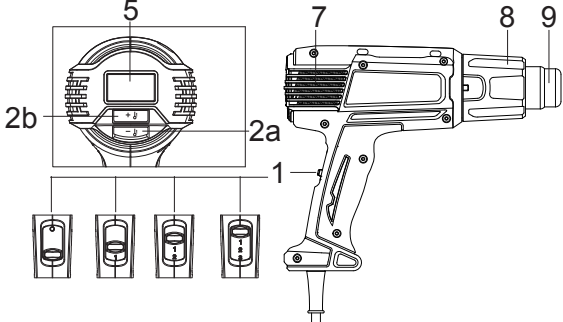
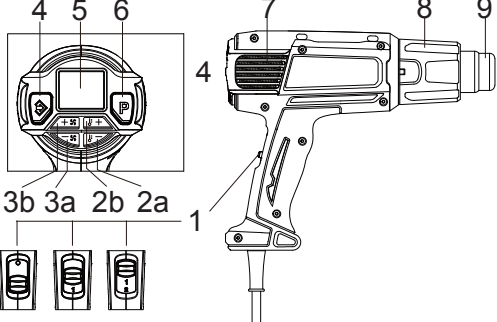
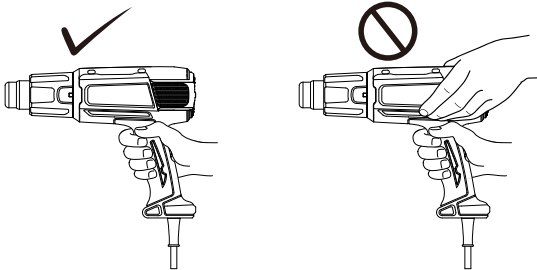
<h2>HG6530V</h2> 	
<h2>HG6531C</h2> 	
	

Fig.1

# ENGLISH (Original instructions)

## INTENDED USE

Your heat gun has been designed for stripping paint, soldering pipes, shrinking PVC, welding and bending plastic as well as general drying and thawing purposes.



**WARNING:** To reduce the fire or electric shock, do not expose this product to rain or moisture. Store indoors. Read instruction manual before using.



The tool should be connected only to a power supply of the same voltage as indicated on the nameplate, and can only be operated on single-phase AC supply. They are double-insulated and can, therefore, also be used from sockets without earth wire.



Hot surfaces - Burns to fingers or hands.

## DESCRIPTION

- ① Slide switch
- ② Temperature setting button (2a -, 2b+)
- ③ Air volume setting button (3a -, 3b +)
- ④ Confirmation button
- ⑤ LCD
- ⑥ Preset button
- ⑦ Air inlet
- ⑧ Front cover
- ⑨ Nozzle

## PACKAGE CONTENT LIST

- Check the appliance, the power cord, the power plug and all accessories for transportation damages.



**WARNING:** Packing materials are not toys! Children must not play with plastic bags! Danger of suffocation!

- 1 Heat gun
- 1 Set of accessories (Accessories may not be necessarily be included)
- 1 Instruction manual



When parts are missing or damaged, please contact your dealer.

## IMPORTANT SAFETY INSTRUCTIONS

### READ THESE INSTRUCTIONS

### SAVE THESE INSTRUCTIONS

**▲WARNING:** Extreme care should be taken when stripping paint. The peelings, residue and vapors of paint may contain lead, which is poisonous. Any pre-1977 paint may contain lead and paint applied to homes prior to 1950 is likely to contain lead. Once deposited on surfaces, hand to mouth contact can result in the ingestion of lead. Exposure to even low levels of lead can cause irreversible brain and nervous system damage; young and unborn children are particularly vulnerable.

Before beginning any paint removal process you should determine whether the paint you are removing contains lead. This can be done by your local health department or by a professional who uses a paint analyzer to check the lead content of the paint to be removed. **LEAD-BASED PAINT SHOULD ONLY BE REMOVED BY A PROFESSIONAL AND SHOULD NOT BE REMOVED USING A HEAT GUN.**

Persons removing paint should follow these guidelines:

- Move the work piece outdoors. If this is not possible, keep the work area well ventilated. Open the windows and put an exhaust fan in one of them. Be sure the fan is moving the air from inside to outside.
- Remove or cover any carpets, rugs, furniture, clothing, cooking utensils and air ducts.
- Place drop cloths in the work area to catch any paint chips or peelings. Wear protective clothing such as extra work shirts, overalls and hats.
- Work in one room at a time. Furnishings should be removed or placed in the center of the room and covered. Work areas should be sealed off from the rest of the dwelling by sealing doorways with drop cloths.
- Children, pregnant or potentially pregnant women and nursing mothers should not be present in the work area until the work is done and all clean up is complete.
- Wear a dust respirator mask or a dual filter (dust and fume) respirator mask which has been approved by the Occupational Safety and Health Administration (OSHA), the National Institute of Safety and Health (NIOSH), or the United States Bureau of Mines. These masks and replaceable filters are readily available at major hardware stores. Be sure the mask fits. Beards and facial hair may keep masks from sealing properly. Change filters often. **DISPOSABLE PAPER MASKS ARE NOT ADEQUATE.**
- Use caution when operating the heat gun. Keep the heat gun moving as excessive heat will generate fumes which can be inhaled by the operator.
- Keep food and drink out of the work area. Wash hands, arms and face and rinse mouth before eating or drinking. Do not smoke or chew gum or tobacco in the work area.
- Clean up all removed paint and dust by wet mopping the floors. Use a wet cloth to clean all walls, sills and any other surface where paint or dust is clinging. **DO NOT SWEEP, DRY DUST OR VACUUM.** Use a high phosphate detergent or trisodium phosphate (TSP) to wash and mop areas.
- At the end of each work session put the paint chips and debris in a double plastic bag, close it with tape or twist ties and dispose of properly.
- Remove protective clothing and work shoes in the work area to avoid carrying dust into the

rest of the dwelling. Wash work clothes separately. Wipe shoes off with a wet rag that is then washed with the work clothes. Wash hair and body thoroughly with soap and water.

- Hidden areas such as behind walls, ceilings, floors, soffit boards and other panels may contain flammable materials that could be ignited by the heat gun when working in these locations. The ignition of these materials may not be readily apparent and could result in property damage and injury to persons. When working in these locations, keep the heat gun moving in a back-and-forth motion. Lingering or pausing in one spot could ignite the panel or the material behind it.

## ADDITIONAL SAFETY INSTRUCTIONS FOR HEAT GUN

- Do not place your hand over the air vents or block the vents in any way.
- The nozzle and accessories of this tool become extremely hot during use. Let these parts cool down before touching.
- Always switch the tool off before putting it down.
- Do not leave the tool unattended while it is switched on.
- A fire may arise if the appliance is not used with care.
- Heat may be conducted to combustible materials that are out of sight. Do not use in a damp atmosphere, where flammable gases may be present or near combustible materials.
- Allow the tool to cool fully before storing.
- Ensure adequate ventilation as toxic fumes may be produced.
- Do not use as a hairdryer.
- Do not obstruct either the air intake or nozzle outlet, as this may cause excessive heat build-up resulting in damage to the tool.
- Do not direct the hot air blast at other people.
- Do not touch the metal nozzle as it becomes very hot during use and remains hot for up to 30 minutes after use.
- Do not place the nozzle against anything while using or immediately after use.
- Do not poke anything down the nozzle as it could give you an electric shock. Do not look down the nozzle while the unit is working because of the high temperature being produced.


- Do not allow paint to adhere to the nozzle or scraper as it could ignite after some time.








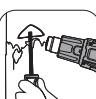
### Removing paint

- Do not use this tool to remove paint containing lead. The peelings, residue and vapors of paint may contain lead, which is poisonous. Any pre-1960 building may have been painted in the past with paint containing lead and covered with additional layers of paint. Once deposited on surfaces, hand to mouth contact can result in the ingestion of lead. Exposure even to low levels of lead can cause irreversible damage to the brain and nervous system. Young and unborn children are particularly vulnerable.
- When removing paint, ensure that the work area is enclosed. Preferably wear a dust mask.
- Do not burn the paint. Use the scraper and keep the nozzle at least 25 mm away from the painted surface. When working in a vertical direction, work downwards to prevent paint from falling into the tool and burning.
- Dispose of all paint debris safely and ensure that the work area is thoroughly cleaned after completing the work.
- This tool has a polarized plug (one blade is wider than the other). To reduce the risk of electric shock, this plug is intended to fit in a polarized outlet only one way. If the plug does not fit fully in the outlet, reverse the plug. If it still does not fit, contact a qualified electrician. Do not modify the plug in any way.
- If the supply cord is damaged, it must be replaced by the manufacturer, its service agent or similarly qualified persons in order to avoid a hazard.
- Do not operate power tools in explosive atmospheres, such as in the presence of flammable liquids, gases or dust.
- Do not apply to the same place for a long time.
- Do not expose power tools to rain or wet conditions. If operating a power tool on a damp location is unavoidable, use a ground fault circuit interrupter (GFCI) protected supply.
- Avoid accidental starting. Ensure the switch is in the off position before plugging in.

**CAUTION:** In order to avoid a hazard due to inadvertent resetting of the thermal cut-out, this tool must not be supplied through an external switching device, such as a timer, or connected to a circuit that is regularly switched on and off by the utility.

## MOUNTING THE CORRECT ACCESSORY (IF APPLICABLE)

Icon	Description	Purpose
	Glass protection nozzle	Protection windows when stripping frames

Icon	Description	Purpose
	Reflector nozzle	Soldering pipes
	Reduction nozzle	Welding, sleeve shrinking (heat concentrated over small area )
	Wide-slot nozzle	Drying, thawing (heat spread over wider area )
	Overlap welding nozzle	Welding
	Solder sleeves reflector	Soldering
	Welding nozzle	Welding
	Pressure roller	Press the surface of working piece
	Scraper	Stripping paint and varnish



- Make sure that the tool is switched off and the nozzle has cooled down.
- Falling down nozzle may ignite objects on the floor. Nozzles must be mounted firmly and secure on the unit.
- Touching a hot nozzle can lead to serious burns. Before attaching or replacing a nozzle, allow the unit to cool down completely or use a suitable tool.
- A hot nozzle can set a surface on fire. Place down hot nozzles only on fire-proof surfaces.
- An incorrect or defective nozzle can lead to heat accumulation and damage the unit. Use only original nozzles according to the table that are suitable for your unit.

## INSTRUCTIONS FOR USE



If you are not sure about the correct setting, start with a low temperature setting and gradually increase the temperature until you achieve optimum results.



Always observe the safety instructions and applicable regulations.



Use only one hand to hold the tool, do not place your other hand over the air vents.(Fig. 1)



Do not use the holes on the tool housing for the fall prevention purpose at high location.

### Prior to operation

- Mount the correct accessory for the application.

### Switching on and off

- Number of the slide switch means as follows.

HG6530V:

- 0: OFF position
- 1: For cooling down with approx. 50°C airflow
- 2: For heating with low air volume
- 3: For heating with high air volume

HG6531C:

- 0: OFF position
- 1: For cooling down with approx. 50°C airflow
- 2: For heating

- To switch the heat gun on, slide the slide switch (1) from 0 to one of the ON positions 1, 2 or 3.
- To switch off the heat gun, set the slide switch to position 1 to cool off for a while, and then set the slide switch to position 0 (OFF).



**The heat gun may give off some smoke shortly after switching on. This does not indicate a problem with the device.**

### Setting the temperature (HG6530V)

The temperature can be set with the slide switch (1) at position 2 or 3.

- Press the temperature setting button + (2b) to increase the temperature, and - (2a) to decrease the temperature. The LCD (5) displays the present temperature of the airflow few seconds after the target temperature was set.
- To switch the unit of the temperature between °C or °F, press + and - together.

### Selecting the preset mode (HG6531C)

**14 preset modes are available to quickly set the temperature and air volume suitable for major applications. Select the desired preset application as follows.**

1. Set the slide switch (1) at position 2. The LCD (5) displays the application name that was used at the last time, and corresponding temperature and air volume settings. Few seconds later, the LCD displays the present temperature of the airflow.
2. Press the preset button (6). The application name starts to scroll.
3. Press the temperature setting buttons (2a/b) or air volume setting buttons (3a/b) to select the application. When the desired application name is displayed on the LCD, press the confirmation button (4) to decide it.



**Whenever a setting is not confirmed by pressing the confirmation button (4) within 5-6 seconds, the device reverts to the previously confirmed setting.**

### Setting the temperature and air volume (HG6531C)

Change the temperature and air volume as follows. With the slide switch (1) at position 1, only the air volume can be changed.



**With the slide switch at position 2, this procedure overwrites the preset temperature and air volume of the application currently displayed on the LCD.**

1. Set the slide switch (1) at position 1 or 2.
2. Press the temperature setting buttons (2a/b) to change the temperature. Press the air volume setting buttons (3a/b) to change the air volume. The indications of temperature and air volume on the LCD (5) start to blink.
3. Press the confirmation button (4) to confirm the setting. The temperature and air volume on the LCD stop blinking. Few seconds later, the LCD displays the present temperature of the airflow.



**Whenever a setting is not confirmed by pressing the confirmation button (4) within 5-6 seconds, the device reverts to the previously confirmed setting.**

### Setting the display language and temperature unit (HG6531C)

1. Set the slide switch (1) to position 1/2.
2. Press and hold the preset button (6) until the language bar blinks.
3. To switch the unit of the temperature between °C or °F, press the temperature setting buttons (2a/b). To change the language, press the air volume setting buttons (3a/b). 10 languages are available: English, German, Italian, French, Spanish, Portuguese, Dutch, Swedish, Chinese and Japanese.
4. Press the confirmation button (4) to decide your setting.

### Detachable front cover

- The front cover can be removed when working at a narrow area.



**Be careful of the hot nozzle. Removing the front cover increases the risk of burn with the bare hot nozzle.**

### Stripping paint

- Mount an appropriate accessory.
- Set a high air temperature.
- Switch the tool on.
- Direct the hot air onto the paint to be removed.
- When the paint softens, scrape the paint away using a hand scraper.



**Do not strip metal window frames, as the heat may be conducted onto the glass and crack it. When stripping other window frames, use the glass protection nozzle.**



**Do not keep the tool directed at one spot too long to prevent igniting the surface.**



**Avoid collecting paint on the scraper accessory, as it may ignite. If necessary, carefully remove paint debris from the scraper accessory using a knife.**

### Stationary use

This tool can also be used in stationary mode.

- Place the tool onto a stable workbench.
- Secure the cable to prevent pulling the tool off the workbench.

- Carefully switch the tool on.



**Make sure that the nozzle always points away from you and any bystanders.**



**Make sure not to drop anything into the nozzle.**

### Cooling down

The nozzle and accessory become very hot during use. Let them cool down before attempting to move or store the tool.

- To reduce the cooling time, switch the tool on at the lowest air temperature setting and let it run for a few minutes.
- Switch the tool off and let it cool down for at least 30 minutes. Always place it vertical and standing.



**When the inside of heat gun gets too hot, the indication on the LCD blinks.**

**In that case, set the slide switch to position 1 to cool down the tool. After cooling down fully, restart the operation.**

**If the LCD still blinks after the restart, contact your local Makita Service Center.**

## MAINTENANCE AND CLEANING



**Attention: Before performing any work on the equipment, pull the power plug.**

### Maintenance

- Your Power Tool has been designed to operate over a long period of time with a minimum of maintenance. Continuous satisfactory operation depends upon proper tool care and regular cleaning.

### Lubrication

- Your power tool requires no additional lubrication.

### Cleaning

- To prevent overheating of the motor, keep the ventilation slots of the machine clean and free from dust and dirt.
- Regularly clean the machine housing with a soft cloth, preferably after each use. If the dirt does not come off use a soft cloth moistened with soapy water.



**Never use solvents such as petrol, alcohol, ammonia water, etc. These solvents may damage the plastic parts.**

## TECHNICAL DATA

Model No:	HG6531C		HG6530V		
Voltage:	120V~		120V~		
Frequency:	60Hz		60Hz		
Current:	14A		14A		
Setting:	I	II	I	II	III
Temperature:[°C]	50	50-650	50	50-650	50-650
[°F]	122	122-1202	122	122-1202	122-1202
Setting:	I	II	I	II	II
Air flow: [L/M]	200-550	200-550	500	280	550
[CFM]	7-19	7-19	18	10	19
Overall length	257mm		257mm		
Net weight	0.71kg		0.72kg		

### Default setting of the preset mode

No.	Application name	Temperature	Air volume
1	FREE SET 1	250°C	5
2	FREE SET 2	500°C	5
3	SCRINKING	300°C	3
4	FORMING	250°C	4
5	SOLDERING COPPER	650°C	3
6	DRYING PAINT	650°C	5
7	PAINT STRIPPING	450°C	5
8	WELDING FLOOR FOIL	450°C	3
9	WELDING PPEPDM	280°C	3
10	WELDING HDPE	300°C	3
11	WELDING PP	320°C	3
12	WELDING PVC-U	340°C	3
13	WELDING ABS	360°C	3
14	WELDING PC	380°C	3

## MAKITA LIMITED WARRANTY

Please refer to the annexed warranty sheet for the most current warranty terms applicable to this product. If annexed warranty sheet is not available, refer to the warranty details set forth at below website for your respective country.

United States of America: [www.makitatools.com](http://www.makitatools.com)

Canada: [www.makita.ca](http://www.makita.ca)

Other countries: [www.makita.com](http://www.makita.com)

**Subject to change without notice.**

# WARNING

Some dust created by power sanding, sawing, grinding, drilling, and other construction activities contains chemicals known to the State of California to cause cancer, birth defects or other reproductive harm. Some examples of these chemicals are:

- lead from lead-based paints,
- crystalline silica from bricks and cement and other masonry products, and
- arsenic and chromium from chemically-treated lumber.

Your risk from these exposures varies, depending on how often you do this type of work. To reduce your exposure to these chemicals: work in a well ventilated area, and work with approved safety equipment, such as those dust masks that are specially designed to filter out microscopic particles.

**Makita Corporation**

3-11-8, Sumiyoshi-cho,  
Anjo, Aichi 446-8502 Japan

[www.makita.com](http://www.makita.com)