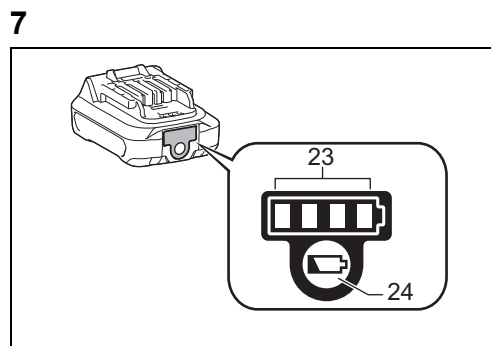
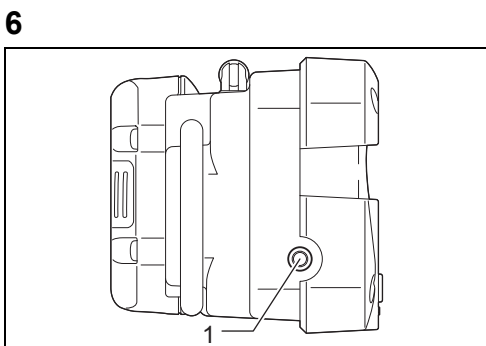
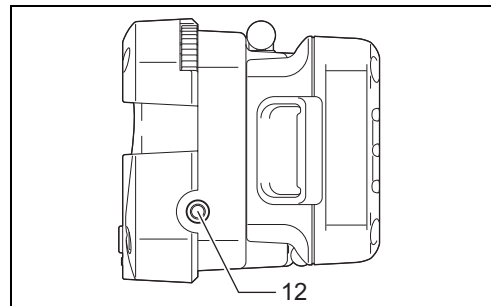
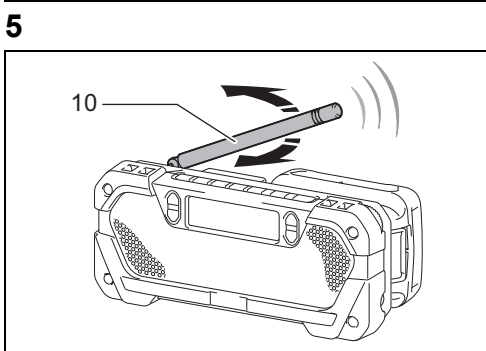
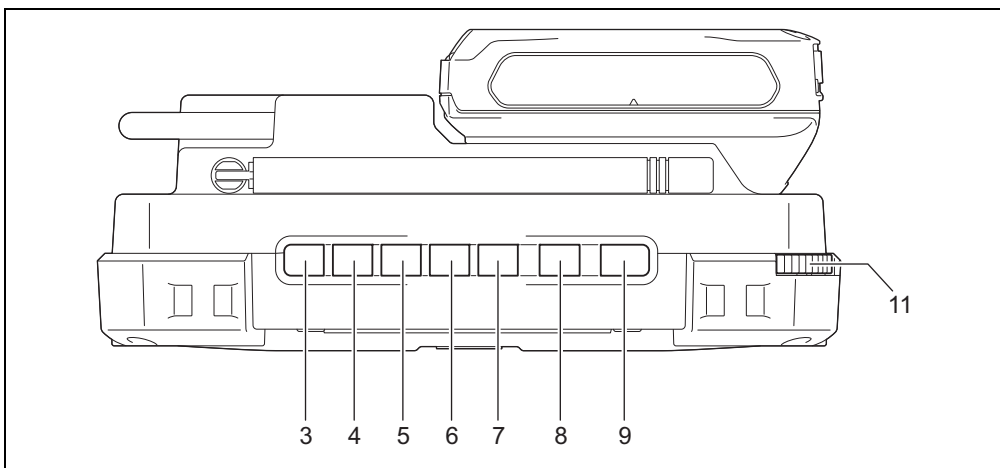
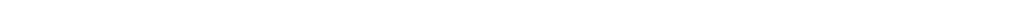
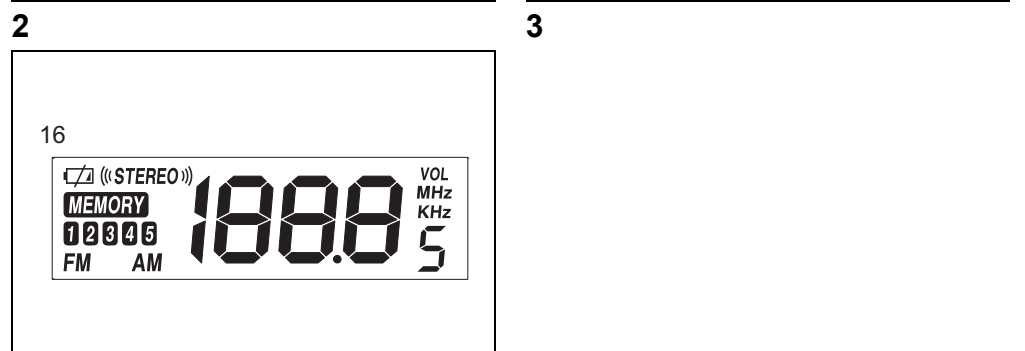
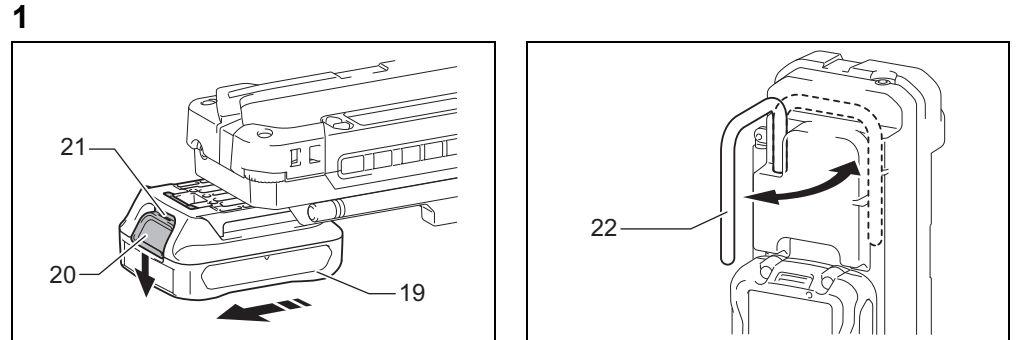


Read Before Using.
Leer antes de usar.



ENGLISH (Original instructions)


LOCATION OF CONTROLS


Explanation of general view

1. AUXILIARY INPUT JACK	9. POWER	17. SEARCH UP
2. LEFT LOUDSPEAKER	10. ROD ANTENNA	18. SEARCH DOWN
3. PRESET MEMORY 1	11. TUNING KNOB	19. Battery cartridge
4. PRESET MEMORY 2	12. EARPHONE JACK	20. Button
5. PRESET MEMORY 3	13. RIGHT LOUDSPEAKER	21. Red indicator
6. PRESET MEMORY 4	14. VOLUME UP	22. Hook
7. PRESET MEMORY 5	15. VOLUME DOWN	23. Indicator lamps
8. BAND	16. LCD DISPLAY	24. Check button

Symbols

The following show the symbols used for the equipment. Be sure that you understand their meaning before use.

 Read instruction manual.


 Always recycle batteries


IMPORTANT SAFETY INSTRUCTIONS

⚠ WARNING:

When using electric tools, basic safety precautions should always be followed to reduce the risk of fire, electric shock, and personal injury, including the following:

1. Read this instruction manual and the charger instruction manual carefully before use.
2. Clean only with dry cloth.
3. Do not block any ventilation opening. Install in accordance with the manufacturer's instruction.
4. Do not install near any heat sources such as radiators, heat registers, stoves, or other apparatus (including amplifiers) that produce heat.
5. Only use attachments/accessories specified by the manufacturer.
6. Unplug this apparatus during lightning storms or when unused for long periods of time.
7. A battery operated radio with integral batteries or a separate battery pack must be recharged only with the specified charger for the battery. A charger that may be suitable for one type of battery may create a risk of fire when used with another battery.
8. Use battery operated radio only with specifically designated battery packs. Use of any other batteries may create a risk of fire.
9. When battery pack is not in use, keep it away from other metal objects like: paper clips, coins, keys, nails, screws, or other small metal objects that can make a connection from one terminal to another. Shorting the battery terminals together may cause sparks, burns, or a fire.
10. Avoid body contact with grounded surfaces such as pipes, radiators, ranges and refrigerators. There is an increased risk of electric shock if your body is grounded.
11. Use with charger Model DC10WD or DC10SB.
12. **WARNING:** To reduce the risk of fire or electric shock, do not expose this apparatus to rain or moisture and objects filled with liquids, such as vases, should not be placed on this apparatus.
13. **TO COMPLETELY DISCONNECT THIS APPARATUS FROM THE AC MAINS, DISCONNECT THE POWER SUPPLY CORD PLUG FROM THE AC RECEPTACLE.**
14. **THE MAINS PLUG OF THE POWER SUPPLY CORD SHALL REMAIN READILY ACCESSIBLE.**
15. **WARNING: DO NOT EXPOSE BATTERIES OR BATTERY PACK TO EXCESSIVE HEAT SUCH AS SUNSHINE, FIRE OR THE LIKE.**
16. **CAUTION: DANGER OF EXPLOSION IF BATTERY IS INCORRECTLY REPLACED. REPLACE ONLY WITH MAKITA BATTERY MODEL BL1014.**

 The Lightning Flash with arrowhead symbol within an equilateral triangle, is intended to alert the user to the presence of uninsulated "dangerous voltage" within the product enclosure that may be of sufficient magnitude to constitute a risk of shock to persons.

 The exclamation point within an equilateral triangle is intended to alert the users to the presence of important operating and maintenance (servicing) instructions in the literature accompanying the product.

SAFETY INSTRUCTIONS

1. Read these instructions.
2. Keep these instructions.
3. Heed all warnings.
4. Follow all instructions.
5. Do not use this apparatus near water.
6. Clean only with dry cloth.
7. Do not block any ventilation openings. Install in accordance with the manufacture's instructions.
8. Do not install near any heat sources such as radiators, heat registers, stoves, or other apparatus (including amplifiers) that product heat.
9. Do not defeat the safety purpose of the polarized or grounding-type plug. A polarized plug has two blades with one wider than the other. A grounding type plug has two blades and a third grounding prong. The wide blade or the third prong are provided for your safety. If the provided plug does not fit into your outlet, consult an electrician for replacement of the obsolete outlet.
10. Protect the power cord from being walked on or pinched particularly at plugs, convenience receptacles, and the point where they exit from the apparatus.
11. Only use attachments/accessories specified by the manufacture.
12. Use only with the cart, stand, tripod, bracket, or table specified by the manufacture, or sold with the apparatus. When a cart is used, use caution when moving the cart/apparatus combination to avoid injury from tip-over (and Tipping Cart Symbol).



1

General Specification


Item	Standard	
Applicable Battery Type	BL1016, BL1021B, BL1041B	
Power Source	D.C. 10.8 V - 12 V max	
Current Consumption	450 mA max	
Tuning Frequency Range	AM	520 to 1,710 KHz 10 KHz Step
	FM	87.5 to 108 MHz 0.5 MHz Step (automatic)
No. of Preset Memory	AM	5
	FM	5
Speaker Output Power per channel	1.2 W max	
Earphone Output Power per channel	20 mW max	
AUX Input	Impedance 22 K ohm 150 mVrms (L&R channel)	
AM Antenna	Ferrite bar ø8 mm x 100 mm (5/16" x 3-15/16")	
FM Rod Antenna	(L) 110 mm (4-5/16")	
Speaker	ø36 mm 16 ohm 2 W, 2 pieces	
LCD Display	TN type, view area 55 mm x 16 mm (2-3/16" x 5/8")	
LCD Backlight	White color LED; light up for 20 seconds if any keys is pressed or tuning knob is tuned	
Applicable Environment	Indoor use	
Operating Time (At speaker output = 50 mW + 50 mW) (Approximately)	With BL1016	11 hours
	With BL1021B	15 hours
	With BL1041B	30 hours
Dimensions (L x W x H)	Without battery	169 mm x 58 mm x 74 mm (6-5/8" X 2-1/4" x 2-15/16")
	With BL1016, BL1021B	169 mm x 73 mm x 74 mm (6-5/8" X 2-7/8" x 2-15/16")
	With BL1041B	169 mm x 92 mm x 74 mm (6-5/8" X 3-5/8" x 2-15/16")
Net Weight	Without battery	0.35 kg (0.8 lbs)
	With BL1016, BL1021B	0.56 kg (1.2 lbs)
	With BL1041B	0.72 kg (1.6 lbs)

Note:
Table regarding to the battery operating time above is for reference. The actual operating time may differ with charging condition, or usage environment.


FUNCTIONAL DESCRIPTION

Installing or removing battery cartridge (Fig. 2)

 **CAUTION:** Always switch off the radio before installing or removing of the battery cartridge.

 **CAUTION:** Hold the radio and the battery cartridge firmly when installing or removing battery cartridge. Failure to hold the radio and the battery cartridge firmly may cause them to slip off your hands and result in damage to the radio and battery cartridge and a personal injury.

To remove the battery cartridge (19), slide it from the radio while sliding the button (20) on the front of the cartridge.
To install the battery cartridge, align the tongue on the battery cartridge with the groove in the housing and slip it into place. Insert it all the way until it locks in place with a little click. If you can see the red indicator (21) on the upper side of the button, it is not locked completely.

 **CAUTION:** Always install the battery cartridge fully until the red indicator cannot be seen. If not, it may accidentally fall out of the radio, causing injury to you or someone around you.

3

13. Unplug this apparatus during lightning storms or when unused for long periods of time.
14. Refer all servicing to qualified service personnel.
Servicing is required when the apparatus has been damaged in any way, such as power-supply cord or plug is damaged, liquid has been spilled or objects have fallen into the apparatus, the apparatus has been exposed to rain or moisture, does not operate normally, or has been dropped.
15. If Service Instruction in Owner's Manual: "CAUTION - THESE SERVICING INSTRUCTIONS ARE FOR USE BY QUALIFIED SERVICE PERSONNEL ONLY. TO REDUCE THE RISK OF ELECTRIC SHOCK DO NOT PERFORM ANY SERVICING OTHER THAN THAT CONTAINED IN THE OPERATING INSTRUCTIONS UNLESS YOU ARE QUALIFIED TO DO SO".

SAVE THESE INSTRUCTIONS.

Important safety instructions for battery cartridge

1. Before using battery cartridge, read all instructions and cautionary markings on battery charger, battery, and product using battery.
2. Do not disassemble battery cartridge.
3. If operating time has become excessively shorter, stop operating immediately. It may result in a risk of overheating, possible burns and even an explosion.
4. If electrolyte gets into your eyes, rinse them out with clear water and seek medical attention right away. It may result in loss of your eyesight.
5. Do not short the battery cartridge:
 - (1) Do not touch the terminals with any conductive material.
 - (2) Avoid storing battery cartridge in a container with other metal objects such as nails, coins, etc.
 - (3) Do not expose battery cartridge to water or rain.
6. A battery short can cause a large current flow, overheating, possible burns and even a breakdown.
7. Do not store the tool and battery cartridge in locations where the temperature may reach or exceed 50 °C (122 °F).
8. Do not incinerate the battery cartridge even if it is severely damaged or is completely worn out.
9. The battery cartridge can explode in a fire.
10. Be careful not to drop or strike battery.
11. Do not use a damaged battery.
12. Follow your local regulations relating to disposal of battery.

SAVE THESE INSTRUCTIONS.

⚠ CAUTION:

Only use genuine Makita batteries. Use of non-genuine Makita batteries, or batteries that have been altered, may result in the battery bursting causing fires, personal injury and damage. It will also void the Makita warranty for the Makita tool and charger.

Tips for maintaining maximum battery life

1. Charge the battery cartridge before completely discharged. Always stop tool operation and charge the battery cartridge when you notice less tool power.
2. Never recharge a fully charged battery cartridge. Overcharging shortens the battery service life.
3. Charge the battery cartridge with room temperature at 10 °C - 40 °C (50 °F - 104 °F). Let a hot battery cartridge cool down before charging it.

FC Cautions to the user

The changes or modifications not expressly approved by the party responsible for compliance could void the user's authority to operate the equipment.

The equipment has been tested and found to comply with the limits for a Class B Digital Device, pursuant to part 15 of the FCC Rules. These limits are designed to provide reasonable protection against harmful interference in a residential installation. This equipment generates, uses and can radiate radio frequency energy and, if not installed and used in accordance with the instruction, may cause harmful interference to radio communication. However, there is no grantee that interference will not occur in a particular installation. If this equipment does cause harmful interference to radio or television reception, which can be determined by turning the equipment off and on, the user is encouraged to try to correct the interference by one or more of the following measures:

- Reorient or relocate the receiving antenna.
- Increase the separation between the equipment and receiver.
- Connect the equipment into an outlet on a circuit different from that to which the receiver is connected.
- Consult the dealer or an experienced radio/ TV technician for help.

This device complies with part 15 of the FCC Rules.

Operation is subject to the following two conditions:


- (1) This device may not cause harmful interference, and (2) this device must accept any interference received, including interference that may cause undesired operation.

ICES-003 STANDARD : CAN ICES-3(B)/NMB-3(B)

Features:

- | | |
|--|---|
| 1) Digital Tuning AM/FM Stereo Receiver | 10) Earphones Jack |
| 2) LCD Display with white color backlight | 11) Auxiliary Input Jack |
| 3) Power On/Off Switch | 12) FM Rod Antenna |
| 4) Band Selector (AM/FM) | 13) Built-in AM Antenna |
| 5) Automatic Broadcasting Searching (Search Up/Down) | 14) Operated by 12 V max (10.8 V) Rechargeable Li-ion battery cartridge |
| 6) Digital Volume Control (Volume Up/Down) | 15) Low Battery Indication |
| 7) Preset Memories (5 for AM, 5 for FM) | 16) Low Battery Protection |
| 8) Rotary Tuning Knob | 17) Accessories: Shoulder Strap |
| 9) Loudspeaker ø36 mm 2 pcs | |

2

 **CAUTION:** Do not install the battery cartridge forcibly. If the cartridge does not slide in easily, it is not being inserted correctly.

Hook (Fig. 3)

The hook (22) is convenient for hanging the Cordless Radio temporarily.

OPERATION

HOW TO LISTEN RADIO BROADCASTING

1. Press POWER (9) button to switch on the radio unit. (Fig. 1 & 5) The receiving frequency is showed on LCD DISPLAY (16). (Fig. 1 & 4)
2. Press BAND (8) button to select FM or AM band. (Fig. 1)
3. For FM broadcasting listening, rotate the direction of ROD ANTENNA (10) to have a better performance of reception. For AM broadcasting listening, as the AM antenna is built-in the radio, rotate the direction of radio unit to get a better performance of reception. (Fig. 1 & 6)
4. For manual tuning, press SEARCH UP (17) or SEARCH DOWN (18) button once to tune up or tune down the receiving frequency by one step, or rotate the TUNING KNOB (11) to have a faster tune up/ down. (Fig. 1 & 5)
5. For automatic tuning, press and hold the SEARCH UP (17) or SEARCH DOWN (18) button for 3 seconds, the receiving frequency increases or decreases by one step automatically. When broadcasting is received, the searching stops 5 seconds for short listening and then restart searching. If you want to listen the broadcasting, press any buttons (except for power button) once to stop searching. (Fig. 1)
6. In FM band, if stereo broadcasting is received, the "STEREO" icon is displayed. Under poor reception circumstance, to reduce the reception noise by switching off the stereo function. Press and hold the BAND (8) button for 3 seconds to enter FM Stereo setting mode. Then press BAND (8) button again to switch "Stereo On" or "Stereo Off". (Fig. 1 & 4)
7. Press VOLUME UP (14) or VOLUME DOWN (15) button to adjust the sound level. (Fig. 1)
8. To listen to the radio by earphones (not included), plug a diameter 3.5 mm earphone's plug into EARPHONE JACK (12) completely. The built-in speakers are disconnected automatically and no sound is output. (Fig. 1 & 7)
9. When the battery is soon used up, low battery indicator appears on the LCD DISPLAY (16). (Fig. 4)
10. To turn off the radio, press POWER (9) button once. (Fig. 1 & 5)
11. The radio unit integrates with memory IC, all settings (volume level, last receiving frequency and preset memories) are saved automatically before the battery is removed.

HOW TO STORE THE PRESET MEMORY

1. Choose the receiving frequency that to be stored.
2. Press and hold one of the PRESET MEMORY (3) - (7) buttons for 3 seconds, the chosen frequency is stored into that memory location. The "MEMORY" icon and the chosen memory location no. are shown on the display. (Fig. 1 & 4)
3. There are 5 preset memories location for each AM and FM band.
4. To recall the preset memory, simply press one of the PRESET MEMORY buttons once.

HOW TO PLAY MUSIC THROUGH AUXILIARY JACK

1. Press POWER (9) button to switch on the radio unit. (Fig. 1 & 5)
2. Prepare an audio signal cable (not included), both ends with diameter 3.5 mm stereo plug.
3. One end of cable is plugged into the earphone jack of your play device, another end is inserted into the AUXILIARY INPUT JACK (1) of the radio unit. (Fig. 1 & 8)
4. When the jack is plugged, the letters "AU" are displayed on LCD DISPLAY (16) and the radio unit switches to AUX mode automatically.
5. Adjust the volume of play device and the volume control of the radio unit for a suitable output sound level.

Indicating the remaining battery capacity (Fig. 9)

Only for battery cartridges with "B" at the end of the model number

Press the check button (24) on the battery cartridge to indicate the remaining battery capacity. The indicator lamps (23) light up for few seconds.

Indicator lamps		Remaining capacity
Lighted	Off	
■ ■ ■ ■	□	75% to 100%
■ ■ ■ □	□	50% to 75%
■ ■ □ □	□	25% to 50%
■ □ □ □	□	0% to 25%

NOTE: Depending on the conditions of use and the ambient temperature, the indication may differ slightly from the actual capacity.

4

