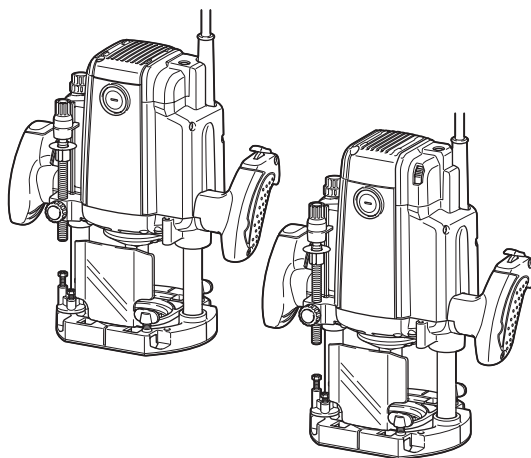
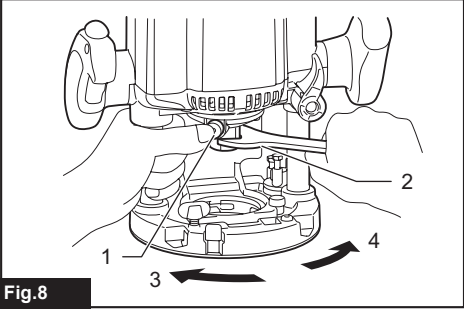
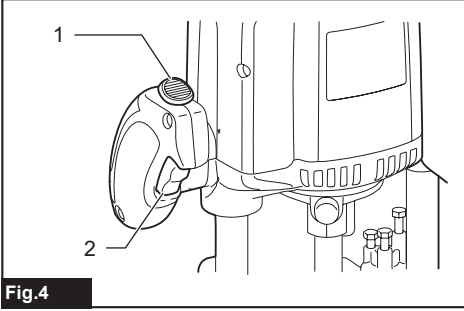
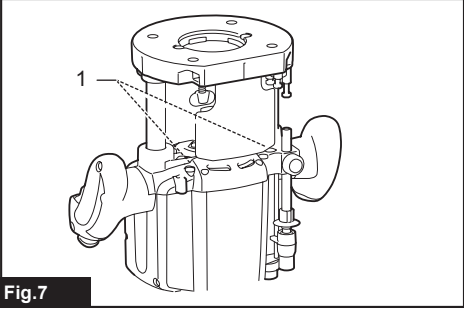
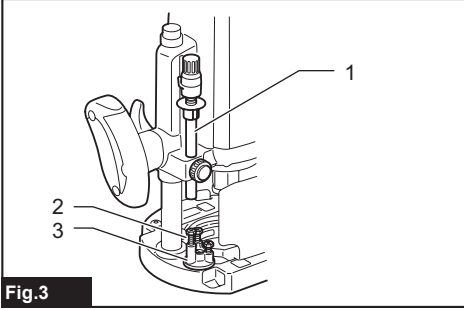
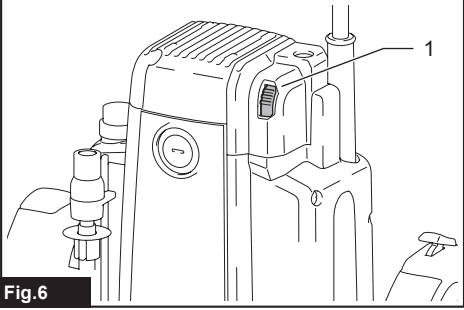
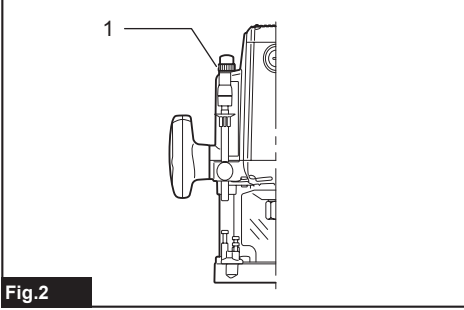
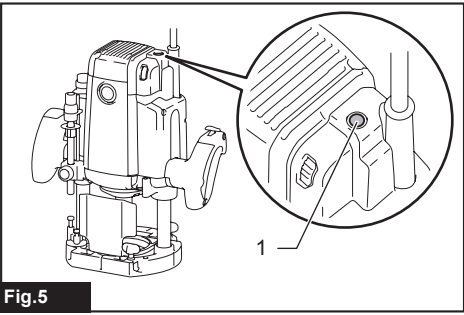
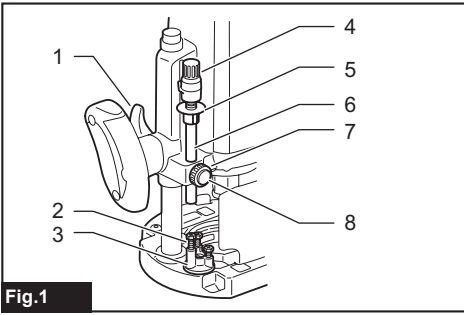




EN	Router	INSTRUCTION MANUAL	9
FR	Défonceuse	MANUEL D'INSTRUCTIONS	17
DE	Oberfräse	BETRIEBSANLEITUNG	26
IT	Fresatrice verticale	ISTRUZIONI PER L'USO	35
NL	Bovenfrees	GEBRUIKSAANWIJZING	44
ES	Rebajadora	MANUAL DE INSTRUCCIONES	53
PT	Tupia	MANUAL DE INSTRUÇÕES	62
DA	Overfræser	BRUGSANVISNING	70
EL	Ρούτερ	ΕΓΧΕΙΡΙΔΙΟ ΟΔΗΓΙΩΝ	78
TR	Freze	KULLANMA KILAVUZU	87

RP1802
RP1802F
RP1803
RP1803F
RP2302FC
RP2303FC





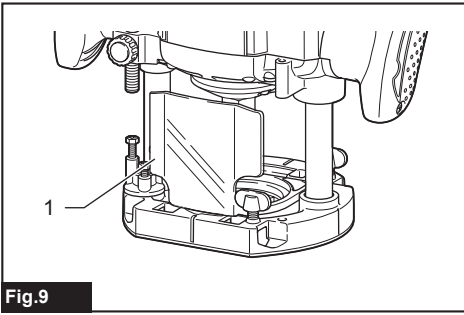


Fig.9

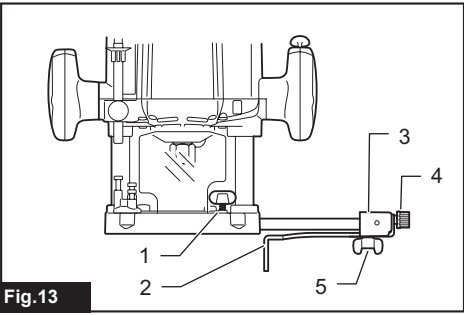


Fig.13

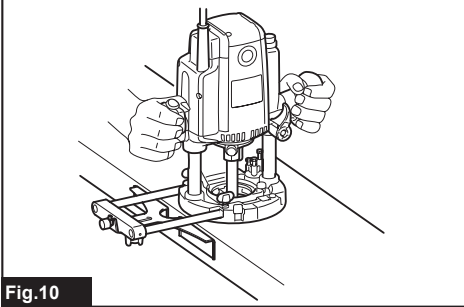


Fig.10

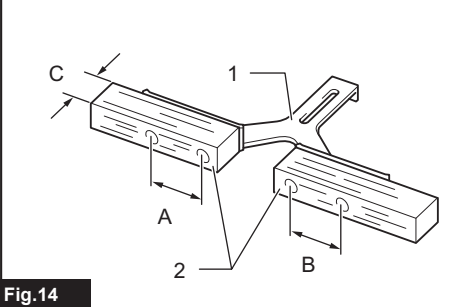


Fig.14

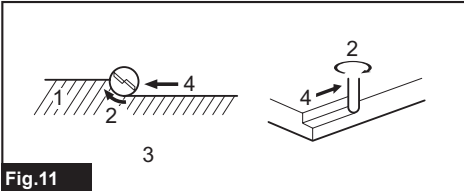


Fig.11

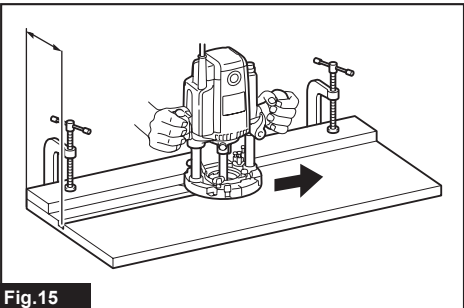


Fig.15

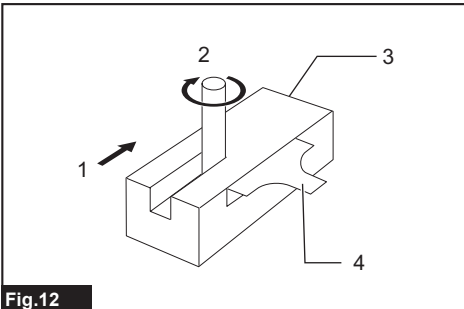


Fig.12

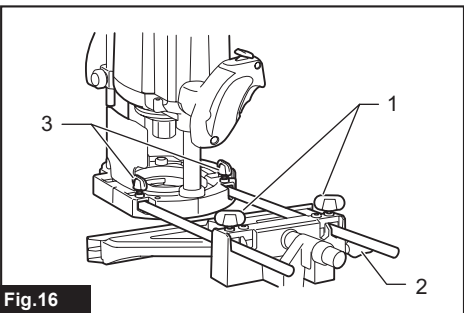


Fig.16

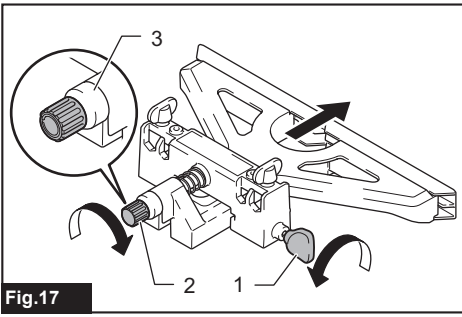


Fig.17

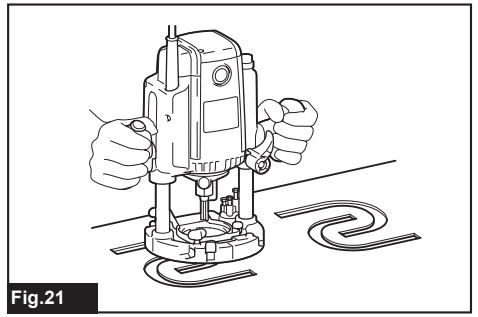


Fig.21

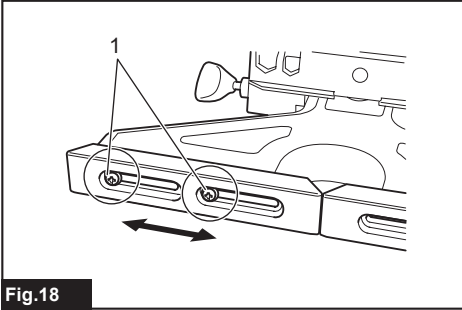


Fig.18

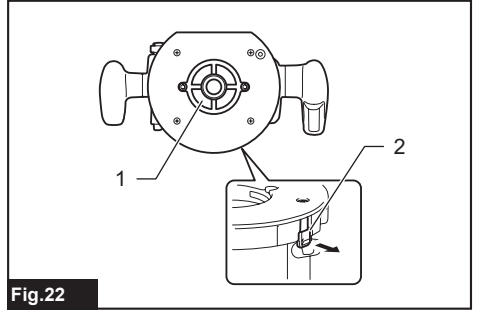


Fig.22

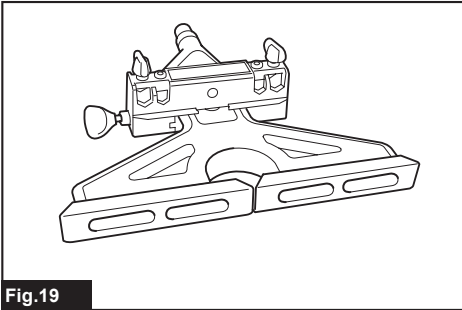


Fig.19

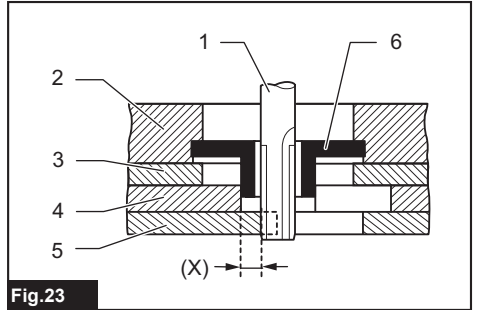


Fig.23

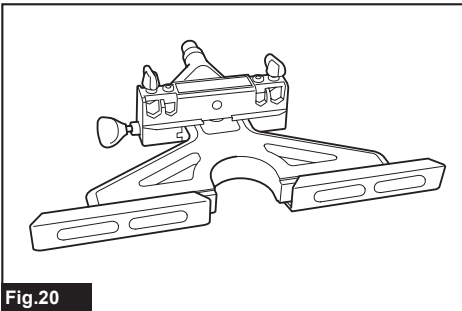


Fig.20

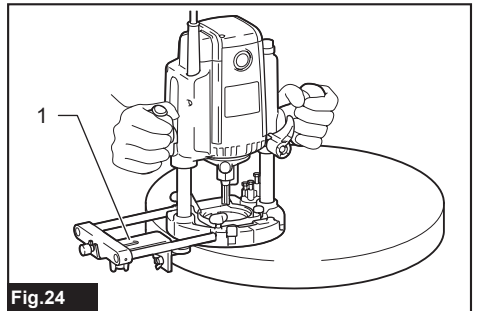
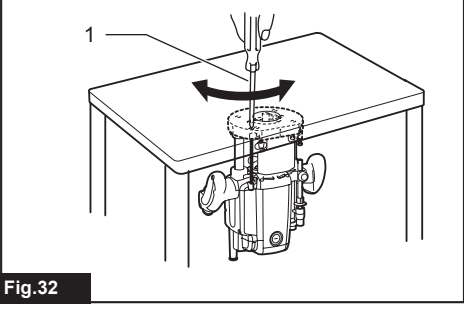
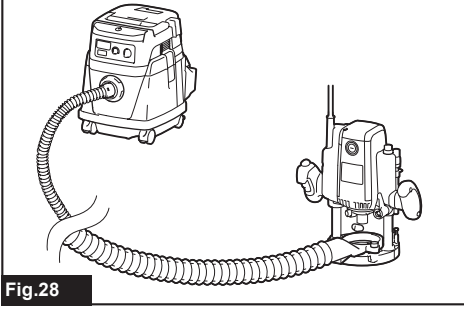
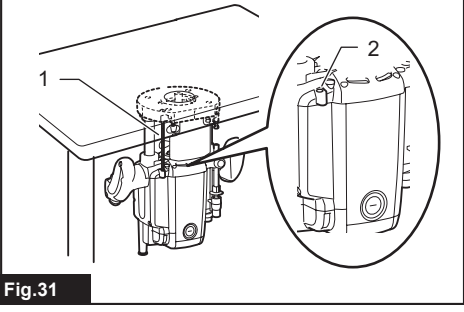
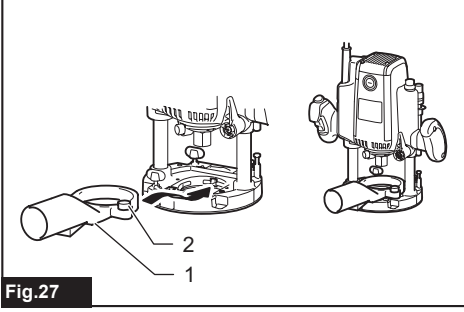
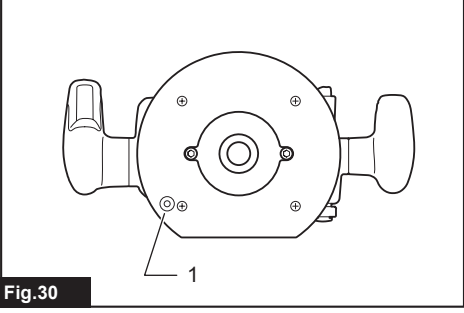
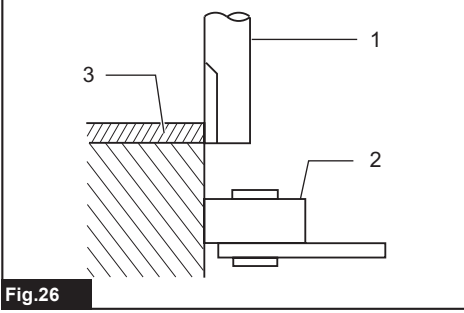
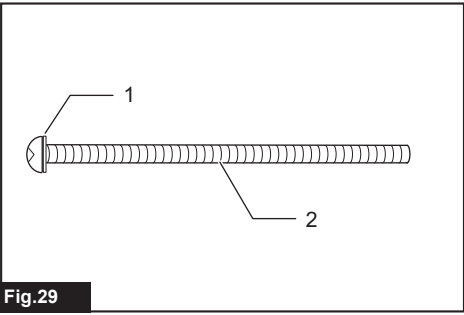
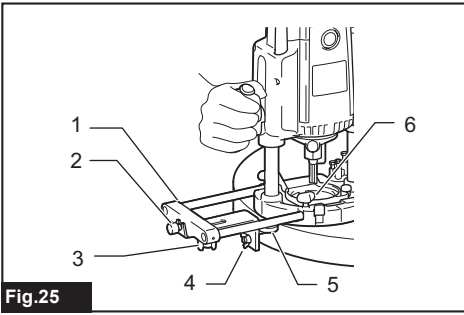


Fig.24



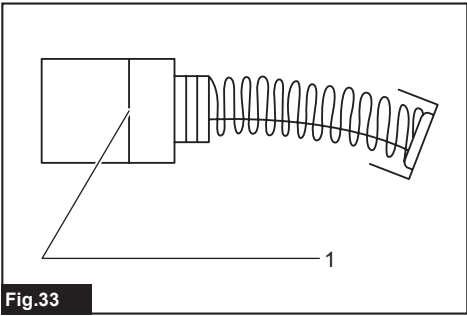


Fig.33

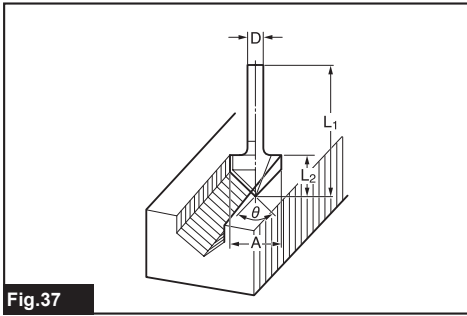


Fig.37

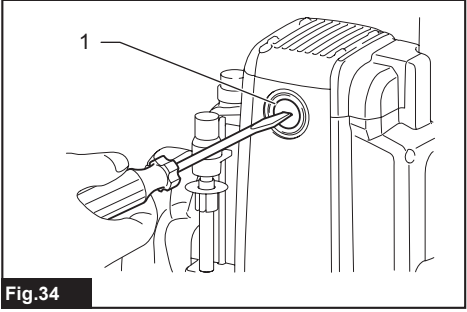


Fig.34

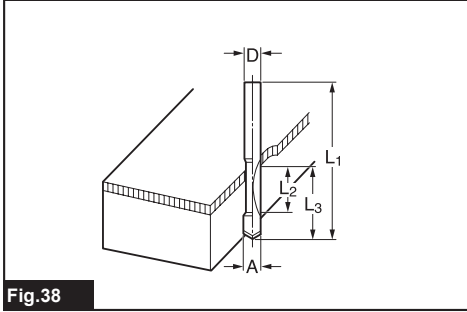


Fig.38

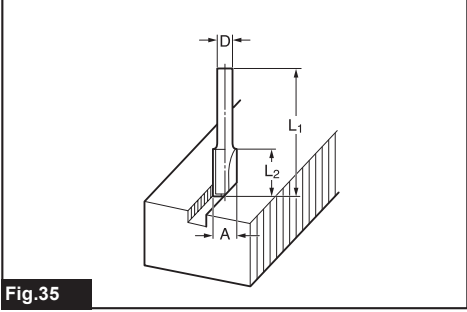


Fig.35

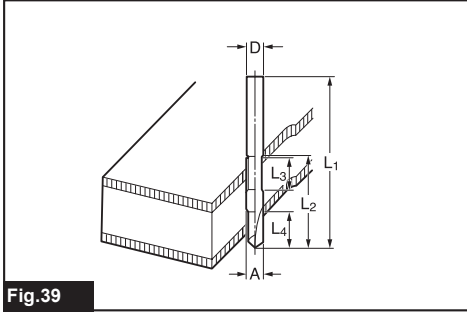


Fig.39

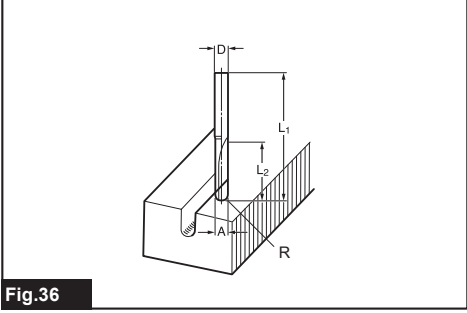


Fig.36

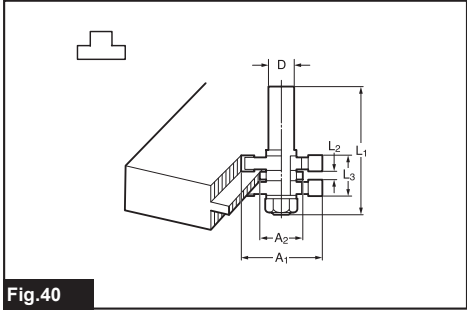


Fig.40

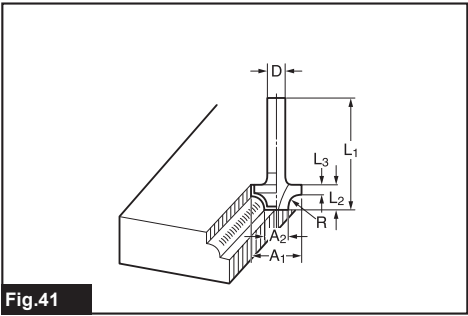


Fig.41

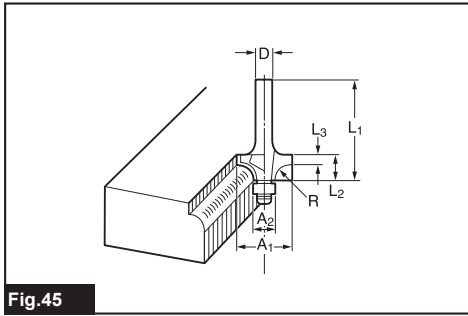


Fig.45

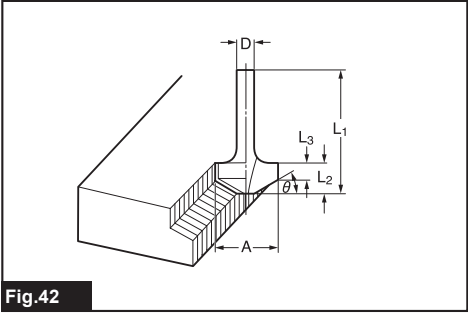


Fig.42

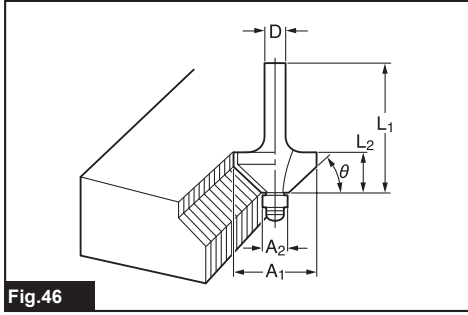


Fig.46

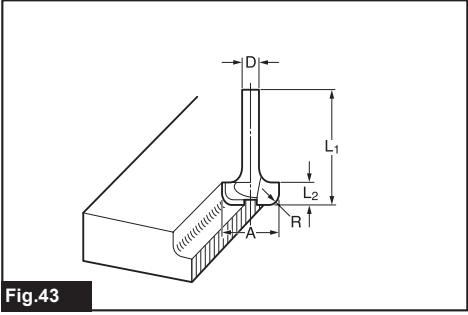


Fig.43

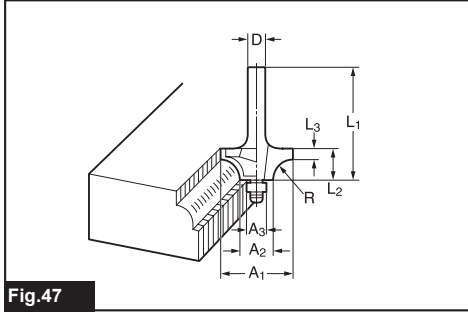


Fig.47

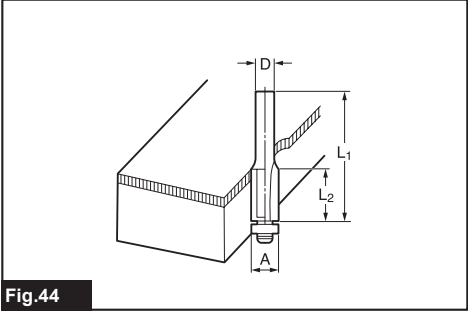


Fig.44

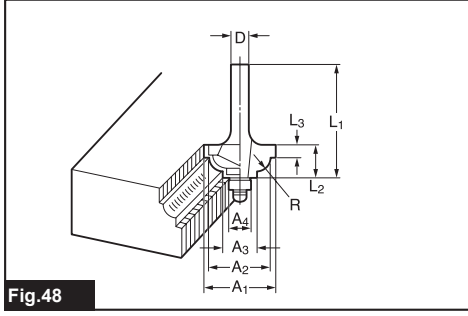


Fig.48

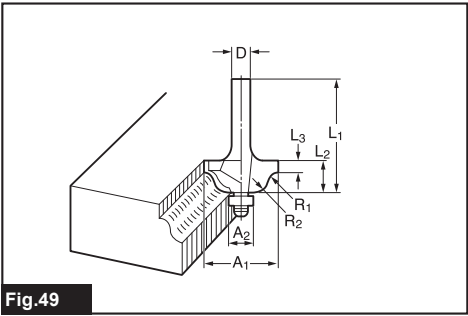


Fig.49

SPECIFICATIONS

Model:	RP1802	RP1802F	RP1803	RP1803F	RP2302FC	RP2303FC
Collet chuck capacity	12 mm or 1/2"					
Plunge capacity	0 - 70 mm					
No load speed	23,000 min ⁻¹		22,000 min ⁻¹		9,000 - 23,000 min ⁻¹	
Overall height	312 mm				327 mm	
Net weight	6.2 kg					
Safety class	□/II					
Lamp	-	✓	-		✓	
Speed adjusting dial	-				✓	
Electric brake	-		✓		-	✓

- Due to our continuing program of research and development, the specifications herein are subject to change without notice.
- Specifications may differ from country to country.
- Weight according to EPTA-Procedure 01/2014

Intended use

The tool is intended for flush trimming and profiling of wood, plastic and similar materials.

Power supply

The tool should be connected only to a power supply of the same voltage as indicated on the nameplate, and can only be operated on single-phase AC supply. They are double-insulated and can, therefore, also be used from sockets without earth wire.

Noise

The typical A-weighted noise level determined according to EN62841-2-17:

Model RP1802

Sound pressure level (L_{pA}): 85 dB(A)
 Sound power level (L_{WA}): 96 dB (A)
 Uncertainty (K): 3 dB(A)

Model RP1802F

Sound pressure level (L_{pA}): 85 dB(A)
 Sound power level (L_{WA}): 96 dB (A)
 Uncertainty (K): 3 dB(A)

Model RP1803

Sound pressure level (L_{pA}): 85 dB(A)
 Sound power level (L_{WA}): 96 dB (A)
 Uncertainty (K): 3 dB(A)

Model RP1803F

Sound pressure level (L_{pA}): 85 dB(A)
 Sound power level (L_{WA}): 96 dB (A)
 Uncertainty (K): 3 dB(A)

Model RP2302FC

Sound pressure level (L_{pA}): 88 dB(A)
 Sound power level (L_{WA}): 99 dB (A)
 Uncertainty (K): 3 dB(A)

Model RP2303FC

Sound pressure level (L_{pA}): 88 dB(A)
 Sound power level (L_{WA}): 99 dB (A)
 Uncertainty (K): 3 dB(A)

NOTE: The declared noise emission value(s) has been measured in accordance with a standard test method and may be used for comparing one tool with another.

NOTE: The declared noise emission value(s) may also be used in a preliminary assessment of exposure.

⚠ WARNING: Wear ear protection.

⚠ WARNING: The noise emission during actual use of the power tool can differ from the declared value(s) depending on the ways in which the tool is used especially what kind of workpiece is processed.

⚠ WARNING: Be sure to identify safety measures to protect the operator that are based on an estimation of exposure in the actual conditions of use (taking account of all parts of the operating cycle such as the times when the tool is switched off and when it is running idle in addition to the trigger time).

Vibration

The vibration total value (tri-axial vector sum) determined according to EN62841-2-17:

Model RP1802

Work mode: cutting grooves in MDF
 Vibration emission (a_h): 5.1 m/s²
 Uncertainty (K): 1.5 m/s²

Model RP1802F

Work mode: cutting grooves in MDF
 Vibration emission (a_h): 5.1 m/s²
 Uncertainty (K): 1.5 m/s²

Model RP1803

Work mode: cutting grooves in MDF
 Vibration emission (a_h): 5.1 m/s²
 Uncertainty (K): 1.5 m/s²

Model RP1803F

Work mode: cutting grooves in MDF

Vibration emission (a_h): 5.1 m/s²

Uncertainty (K): 1.5 m/s²

Model RP2302FC

Work mode: cutting grooves in MDF

Vibration emission (a_h): 4.2 m/s²

Uncertainty (K): 1.5 m/s²

Model RP2303FC

Work mode: cutting grooves in MDF

Vibration emission (a_h): 4.2 m/s²

Uncertainty (K): 1.5 m/s²

NOTE: The declared vibration total value(s) has been measured in accordance with a standard test method and may be used for comparing one tool with another.

NOTE: The declared vibration total value(s) may also be used in a preliminary assessment of exposure.

⚠ WARNING: The vibration emission during actual use of the power tool can differ from the declared value(s) depending on the ways in which the tool is used especially what kind of workpiece is processed.

⚠ WARNING: Be sure to identify safety measures to protect the operator that are based on an estimation of exposure in the actual conditions of use (taking account of all parts of the operating cycle such as the times when the tool is switched off and when it is running idle in addition to the trigger time).

EC Declaration of Conformity

For European countries only

The EC declaration of conformity is included as Annex A to this instruction manual.

SAFETY WARNINGS

General power tool safety warnings

⚠ WARNING: Read all safety warnings, instructions, illustrations and specifications provided with this power tool. Failure to follow all instructions listed below may result in electric shock, fire and/or serious injury.

Save all warnings and instructions for future reference.

The term "power tool" in the warnings refers to your mains-operated (corded) power tool or battery-operated (cordless) power tool.

Router safety warnings

1. **Hold the power tool by insulated gripping surfaces only, because the cutter may contact its own cord.** Cutting a "live" wire may make exposed metal parts of the power tool "live" and could give the operator an electric shock.
2. **Use clamps or another practical way to secure and support the workpiece to a stable platform.** Holding the work by your hand or against the body leaves it unstable and may lead to loss of control.
3. **The cutter bit shank must match the designed collet chuck.**
4. **Only use a bit that is rated at least equal to the maximum speed marked on the tool.**
5. **Wear hearing protection during extended period of operation.**
6. **Handle the router bits very carefully.**
7. **Check the router bit carefully for cracks or damage before operation. Replace cracked or damaged bit immediately.**
8. **Avoid cutting nails. Inspect for and remove all nails from the workpiece before operation.**
9. **Hold the tool firmly with both hands.**
10. **Keep hands away from rotating parts.**
11. **Make sure the router bit is not contacting the workpiece before the switch is turned on.**
12. **Before using the tool on an actual workpiece, let it run for a while. Watch for vibration or wobbling that could indicate improperly installed bit.**
13. **Be careful of the router bit rotating direction and the feed direction.**
14. **Do not leave the tool running. Operate the tool only when hand-held.**
15. **Always switch off and wait for the router bit to come to a complete stop before removing the tool from workpiece.**
16. **Do not touch the router bit immediately after operation; it may be extremely hot and could burn your skin.**
17. **Do not smear the tool base carelessly with thinner, gasoline, oil or the like. They may cause cracks in the tool base.**
18. **Some material contains chemicals which may be toxic. Take caution to prevent dust inhalation and skin contact. Follow material supplier safety data.**
19. **Always use the correct dust mask/respirator for the material and application you are working with.**
20. **Place the tool on stable area.** Otherwise falling accident may occur and cause an injury.
21. **Keep cord away from your foot or any objects.** Otherwise an entangled cord may cause a falling accident and result in personal injury.

SAVE THESE INSTRUCTIONS.

⚠ WARNING: DO NOT let comfort or familiarity with product (gained from repeated use) replace strict adherence to safety rules for the subject product. MISUSE or failure to follow the safety rules stated in this instruction manual may cause serious personal injury.

FUNCTIONAL DESCRIPTION

CAUTION: Always be sure that the tool is switched off and unplugged before adjusting or checking function on the tool.

Adjusting the depth of cut

► **Fig.1:** 1. Lock lever 2. Adjusting hex bolt 3. Stopper block 4. Adjusting knob 5. Depth pointer 6. Stopper pole 7. Stopper pole setting nut 8. Fast-feed button

1. Place the tool on a flat surface. Loosen the lock lever and lower the tool body until the router bit just touches the flat surface. Tighten the lock lever to lock the tool body.
2. Turn the stopper pole setting nut counterclockwise. Lower the stopper pole until it makes contact with the adjusting hex bolt. Align the depth pointer with the "0" graduation. The depth of cut is indicated on the scale by the depth pointer.
3. While pressing the fast-feed button, raise the stopper pole until the desired depth of cut is obtained. Minute depth adjustments can be obtained by turning the adjusting knob (1 mm per turn).
4. By turning the stopper pole setting nut clockwise, you can fasten the stopper pole firmly.
5. Now, your predetermined depth of cut can be obtained by loosening the lock lever and then lowering the tool body until the stopper pole makes contact with the adjusting hex bolt of the stopper block.

Nylon nut

CAUTION: Do not lower the nylon nut too low. The router bit will protrude dangerously.

The upper limit of the tool body can be adjusted by turning the nylon nut.

► **Fig.2:** 1. Nylon nut

Stopper block

CAUTION: Since excessive cutting may cause overload of the motor or difficulty in controlling the tool, the depth of cut should not be more than 15 mm at a pass when cutting grooves with an 8 mm diameter bit.

CAUTION: When cutting grooves with a 20 mm diameter bit, the depth of cut should not be more than 5 mm at a pass.

CAUTION: For extra-deep grooving operations, make two or three passes with progressively deeper bit settings.

As the stopper block has three adjusting hex bolts which raise or lower 0.8 mm per turn, you can easily obtain three different depths of cut without readjusting the stopper pole.

► **Fig.3:** 1. Stopper pole 2. Adjusting hex bolt 3. Stopper block

Adjust the lowest adjusting hex bolt to obtain the deepest depth of cut, following the method of "Adjusting the depth of cut".

Adjust the two remaining adjusting hex bolts to obtain shallower depths of cut. The differences in height of these adjusting hex bolts are equal to the differences in depths of cut.

To adjust the adjusting hex bolts, turn the adjusting hex bolts with a screwdriver or wrench. The stopper block is also convenient for making three passes with progressively deeper bit settings when cutting deep grooves.

Switch action

CAUTION: Before plugging in the tool, always check to see that the switch trigger actuates properly and returns to the "OFF" position when released.

CAUTION: Make sure that the shaft lock is released before the switch is turned on.

To prevent the switch trigger from being accidentally pulled, a lock button is provided.

► **Fig.4:** 1. Lock button 2. Switch trigger

To start the tool, depress the lock button and pull the switch trigger. Release the switch trigger to stop. For continuous operation, depress the lock button further while the switch trigger is being pulled.

To stop the tool, pull the switch trigger so that the lock button returns automatically. Then release the switch trigger.

After releasing the switch trigger, the lock-off function works to prevent the switch trigger from being pulled.

CAUTION: Hold the tool firmly when turning off the tool, to overcome the reaction.

Electronic function

The tool is equipped with the electronic functions for easy operation.

Indication lamp

► **Fig.5:** 1. Indication lamp

The indication lamp lights up green when the tool is plugged. If the indication lamp does not light up, the mains cord or the controller may be defective. The indication lamp is lit but the tool does not start even if the tool is switched on, the carbon brushes may be worn out, or the controller, the motor or the ON/OFF switch may be defective.

Unintentional restart proof

The tool does not start with the switch trigger pulled even when the tool is plugged.

At this time, the indication lamp blinks in red and shows the unintentional restart proof device is on function.

To cancel the unintentional restart proof, release the switch trigger.

Soft start feature

Soft-start feature minimizes start-up shock, and makes the tool start smoothly.

Constant speed control

Only for model RP2302FC, RP2303FC

Possible to get fine finish, because the rotating speed is kept constant even under the loaded condition.

Speed adjusting dial

Only for model RP2302FC, RP2303FC

⚠ WARNING: Do not use the speed adjusting dial during operation. The router bit can be touched by the operator because of reaction force. This may result in personal injury.

NOTICE: If the tool is operated continuously at low speeds for a long time, the motor will get overloaded, resulting in tool malfunction.

NOTICE: The speed adjusting dial can be turned only as far as 6 and back to 1. Do not force it past 6 or 1, or the speed adjusting function may no longer work.

The tool speed can be changed by turning the speed adjusting dial to a given number setting from 1 to 6.

► Fig.6: 1. Speed adjusting dial

Higher speed is obtained when the dial is turned in the direction of number 6. And lower speed is obtained when it is turned in the direction of number 1.

This allows the ideal speed to be selected for optimum material processing, i.e. the speed can be correctly adjusted to suit the material and bit diameter.

Refer to the table for the relationship between the number settings on the dial and the approximate tool speed.

Number	min ⁻¹
1	9,000
2	11,000
3	14,000
4	17,000
5	20,000
6	23,000

Lighting up the lamps

Only for model RP1802F, RP1803F, RP2302FC, RP2303FC

⚠ CAUTION: Do not look in the light or see the source of light directly.

Pull the switch trigger to turn on the light. The lamp keeps on lighting while the switch trigger is being pulled. The lamp turns off approximately 10 seconds after releasing the trigger.

► Fig.7: 1. Lamp

NOTE: Use a dry cloth to wipe the dirt off the lens of the lamp. Be careful not to scratch the lens of lamp, or it may lower the illumination.

ASSEMBLY

⚠ CAUTION: Always be sure that the tool is switched off and unplugged before carrying out any work on the tool.

Installing or removing the router bit

⚠ CAUTION: Install the router bit securely. Always use only the wrench provided with the tool. A loose or overtightened router bit can be dangerous.

NOTICE: Do not tighten the collet nut without inserting a router bit or install small shank bits without using a collet sleeve. Either can lead to breakage of the collet cone.

1. Insert the router bit all the way into the collet cone.
 2. Press the shaft lock to keep the shaft stationary and use the wrench to tighten the collet nut securely. When using router bits with smaller shank diameter, first insert the appropriate collet sleeve into the collet cone, then install the router bit.
- Fig.8: 1. Shaft lock 2. Wrench 3. Loosen 4. Tighten

To remove the router bit, follow the installation procedure in reverse.

OPERATION

⚠ WARNING: Before operation, always make sure that the stopper pole is secured firmly by the stopper pole setting nut. Otherwise the depth of cut may change during operation and cause personal injury.

⚠ CAUTION: Before operation, always make sure that the tool body automatically rises to the upper limit and the router bit does not protrude from the tool base when the lock lever is loosened.

⚠ CAUTION: Always use both grips and firmly hold the tool by both grips during operations.

⚠ CAUTION: Before operation, always make sure that the chip deflector is installed properly.

► Fig.9: 1. Chip deflector

1. Set the base on the workpiece to be cut without the router bit making any contact.
2. Turn the tool on and wait until the router bit attains full speed.
3. Lower the tool body and move the tool forward over the workpiece surface, keeping the base flush and advancing smoothly until the cutting is complete.

► Fig.10

When doing edge cutting, the workpiece surface should be on the left side of the router bit in the feed direction.

► Fig.11: 1. Workpiece 2. Bit revolving direction 3. View from the top of the tool 4. Feed direction

NOTE: Moving the tool forward too fast may cause a poor quality of cut, or damage to the router bit or motor. Moving the tool forward too slowly may burn and mar the cut. The proper feed rate will depend on the router bit size, the kind of workpiece and depth of cut.

Before beginning the cut on the actual workpiece, it is advisable to make a sample cut on a piece of scrap lumber. This will show exactly how the cut will look as well as enable you to check dimensions.

NOTE: When using the straight guide or the trimmer guide, be sure to install it on the right side in the feed direction. This will help to keep it flush with the side of the workpiece.

- **Fig.12:** 1. Feed direction 2. Bit revolving direction
3. Workpiece 4. Straight guide

Straight guide

The straight guide is effectively used for straight cuts when chamfering or grooving.

1. Install the straight guide on the guide holder using the clamping screw (B). Insert the guide holder into the holes in the tool base and tighten the clamping screw (A). To adjust the distance between the router bit and the straight guide, loosen the clamping screw (B) and turn the fine adjusting screw (1.5 mm per turn). At the desired distance, tighten the clamping screw (B) to secure the straight guide in place.

- **Fig.13:** 1. Clamping screw (A) 2. Straight guide
3. Guide holder 4. Fine adjusting screw
5. Clamping screw (B)

2. When cutting, move the tool with the straight guide flush with the side of the workpiece.

Wider straight guide of desired dimensions may be made by using the convenient holes in the guide to bolt on extra pieces of wood.

When using a large diameter router bit, attach pieces of wood to the straight guide which have a thickness of more than 15 mm (5/8") to prevent the router bit from striking the straight guide.

- **Fig.14:** 1. Straight guide 2. Wood

A=55 mm (2-3/16")

B=55 mm (2-3/16")

C=15 mm (5/8") or thicker

If the distance between the side of the workpiece and the cutting position is too wide for the straight guide, or if the side of the workpiece is not straight, the straight guide cannot be used. In this case, firmly clamp a straight board to the workpiece and use it as a guide against the base. Feed the tool in the direction of the arrow.

- **Fig.15**

Fine adjusting straight guide

Optional accessory

Insert the two rods into the outer mounting slots of the guide holder, and secure them by tightening the two clamping screws (B). Make sure that the thumb screw (A) is tightened down, insert the two rods into the base, and tighten the clamping screws (A).

- **Fig.16:** 1. Clamping screw (B) 2. Thumb screw (A)
3. Clamping screw (A)

Fine adjusting function for positioning blade in relation to straight guide

- **Fig.17:** 1. Thumb screw (A) 2. Thumb screw (B)
3. Scale ring

1. Loosen the thumb screw (A).
2. Turn the thumb screw (B) to adjust position (one turn adjusts the position by 1 mm) as necessary.
3. Tighten the thumb screw (A) until it is secured.

Scale ring can be rotated separately, so scale unit can be aligned to zero (0).

Adjusting guide shoe width

Loosen the screws marked by the circles to alter the width of the straight guide. After altering width, tighten the screws until they are secured.

Guide shoe width alteration range is 280 mm to 350 mm.

- **Fig.18:** 1. Screw

When set to minimum opening width

- **Fig.19**

When set to maximum opening width

- **Fig.20**

Templet guide

Optional accessory

The templet guide provides a sleeve through which the router bit passes, allowing use of the router with templet patterns.

- **Fig.21**

1. Pull the lock plate lever and insert the templet guide.

- **Fig.22:** 1. Templet guide 2. Lock plate lever

2. Secure the templet to the workpiece. Place the tool on the templet and move the tool with the templet guide sliding along the side of the templet.

- **Fig.23:** 1. Router bit 2. Base 3. Base plate
4. Templet 5. Workpiece 6. Templet guide

NOTE: The workpiece will be cut a slightly different size from the templet. Allow for the distance (X) between the router bit and the outside of the templet guide. The distance (X) can be calculated by using the following equation:

Distance (X) = (outside diameter of the templet guide - router bit diameter) / 2

Trimmer guide

Optional accessory

Trimming, curved cuts in veneers for furniture and the like can be done easily with the trimmer guide. The guide roller rides the curve and assures a fine cut.

► **Fig.24:** 1. Trimmer guide

Install the trimmer guide on the guide holder using the clamping screw (D). Insert the guide holder into the holes in the tool base and tighten the clamping screw (A). To adjust the distance between the router bit and the trimmer guide, loosen the clamping screw (D) and turn the fine adjusting screw (1.5 mm per turn). When adjusting the guide roller up or down, loosen the clamping screw (C). After adjusting, tighten all the clamping screws securely.

► **Fig.25:** 1. Guide holder 2. Fine adjusting screw 3. Clamping screw (D) 4. Clamping screw (C) 5. Guide roller 6. Clamping screw (A)

When cutting, move the tool with the guide roller riding the side of the workpiece.

► **Fig.26:** 1. Router bit 2. Guide roller 3. Workpiece

Dust nozzle sets

Use the dust nozzle for dust extraction.

1. Install the dust nozzle on the tool base using the thumb screw so that protrusion on the dust nozzle fit to the notch in the tool base.

► **Fig.27:** 1. Dust nozzle 2. Thumb screw

2. Connect a vacuum cleaner to the dust nozzle.

► **Fig.28**

How to use screw M6 x 135 for adjusting the depth of cut

When using the tool with a router table available in the market, using this screw allows an operator to obtain a small amount of adjustment of the depth of cut from above the table.

Installing the screw with washer on the tool

Insert the screw with washer through a screw hole on the tool base and then screw in the threaded part of the motor bracket of the tool. At this time, apply some grease or lubricating oil to the inside of the screw hole on the tool base and the threaded part of the motor bracket.

► **Fig.29:** 1. Flat washer 6 2. Screw M6 x 135

► **Fig.30:** 1. Screw M6 x 135 in a screw hole

► **Fig.31:** 1. Screw M6 x 135 2. Threaded part of the motor bracket

Adjusting the depth of cut

1. A small amount of depth of cut can be obtained by turning this screw with a screwdriver from above the table. (1.0 mm per a full turn)

2. Turning the screw clockwise makes the depth of cut greater and turning the screw counterclockwise makes the depth of cut smaller.

► **Fig.32:** 1. Screwdriver

MAINTENANCE

CAUTION: Always be sure that the tool is switched off and unplugged before attempting to perform inspection or maintenance.

NOTICE: Never use gasoline, benzine, thinner, alcohol or the like. Discoloration, deformation or cracks may result.

To maintain product SAFETY and RELIABILITY, repairs, any other maintenance or adjustment should be performed by Makita Authorized or Factory Service Centers, always using Makita replacement parts.

Replacing carbon brushes

► **Fig.33:** 1. Limit mark

Check the carbon brushes regularly.

Replace them when they wear down to the limit mark. Keep the carbon brushes clean and free to slip in the holders. Both carbon brushes should be replaced at the same time. Use only identical carbon brushes.

1. Use a screwdriver to remove the brush holder caps.

2. Take out the worn carbon brushes, insert the new ones and secure the brush holder caps.

► **Fig.34:** 1. Brush holder cap

Only for model RP1803, RP1803F, RP2303FC

After replacing brushes, plug in the tool and break in brushes by running tool with no load for about 10 minutes. Then check the tool while running and electric brake operation when releasing the switch trigger. If electric brake is not working well, ask your local Makita service center for repair.

OPTIONAL ACCESSORIES

CAUTION: These accessories or attachments are recommended for use with your Makita tool specified in this manual. The use of any other accessories or attachments might present a risk of injury to persons. Only use accessory or attachment for its stated purpose.

If you need any assistance for more details regarding these accessories, ask your local Makita Service Center.

- Straight & groove forming bits
- Edge forming bits
- Laminate trimming bits
- Straight guide
- Trimmer guide
- Guide holder
- Templet guides
- Templet guide adapter
- Lock nut
- Collet cone
- Collet sleeve
- Wrench
- Dust nozzle set

NOTE: Some items in the list may be included in the tool package as standard accessories. They may differ from country to country.

Router bits

Straight bit

► Fig.35

Unit:mm

D	A	L1	L2
6	20	50	15
1/4"			
12	12	60	30
1/2"			
12	10	60	25
1/2"			
8	8	60	25
6	8	50	18
1/4"	6	50	18
6			
1/4"			

“U” Grooving bit

► Fig.36

Unit:mm

D	A	L1	L2	R
6	6	50	18	3

“V” Grooving bit

► Fig.37

Unit:mm

D	A	L1	L2	θ
1/4"	20	50	15	90°

Drill point flush trimming bit

► Fig.38

Unit:mm

D	A	L1	L2	L3
12	12	60	20	35
8	8	60	20	35
6	6	60	18	28

Drill point double flush trimming bit

► Fig.39

Unit:mm

D	A	L1	L2	L3	L4
6	6	70	40	12	14

Board-jointing bit

► Fig.40

Unit:mm

D	A1	A2	L1	L2	L3
12	38	27	61	4	20

Corner rounding bit

► Fig.41

Unit:mm

D	A1	A2	L1	L2	L3	R
6	25	9	48	13	5	8
6	20	8	45	10	4	4

Chamfering bit

► Fig.42

Unit:mm

D	A	L1	L2	L3	θ
6	23	46	11	6	30°
6	20	50	13	5	45°
6	20	49	14	2	60°

Cove beading bit

► Fig.43

Unit:mm

D	A	L1	L2	R
6	20	43	8	4
6	25	48	13	8

Ball bearing flush trimming bit

► Fig.44

Unit:mm

D	A	L1	L2
6	10	50	20
1/4"			

Ball bearing corner rounding bit

► Fig.45

Unit:mm

D	A1	A2	L1	L2	L3	R
6	15	8	37	7	3.5	3
6	21	8	40	10	3.5	6
1/4"	21	8	40	10	3.5	6

Ball bearing chamfering bit

► Fig.46

Unit:mm

D	A1	A2	L1	L2	θ
6	26	8	42	12	45°
1/4"					
6	20	8	41	11	60°

Ball bearing beading bit

► Fig.47

Unit:mm

D	A1	A2	A3	L1	L2	L3	R
6	20	12	8	40	10	5.5	4
6	26	12	8	42	12	4.5	7

Ball bearing cove beading bit

► Fig.48

Unit:mm

D	A1	A2	A3	A4	L1	L2	L3	R
6	20	18	12	8	40	10	5.5	3
6	26	22	12	8	42	12	5	5

Ball bearing roman ogee bit

► Fig.49

Unit:mm

D	A1	A2	L1	L2	L3	R1	R2
6	20	8	40	10	4.5	2.5	4.5
6	26	8	42	12	4.5	3	6

SPÉCIFICATIONS

Modèle :	RP1802	RP1802F	RP1803	RP1803F	RP2302FC	RP2303FC
Capacité du mandrin à bague	12 mm ou 1/2"					
Capacité de plongée	0 - 70 mm					
Vitesse à vide	23 000 min ⁻¹		22 000 min ⁻¹		9 000 - 23 000 min ⁻¹	
Hauteur hors tout	312 mm				327 mm	
Poids net	6,2 kg					
Catégorie de sécurité	▣/II					
Lampe	-	✓	-		✓	
Molette de réglage de la vitesse	-				✓	
Frein électrique	-		✓		-	✓

- Étant donné l'évolution constante de notre programme de recherche et de développement, les spécifications contenues dans ce manuel sont sujettes à modification sans préavis.
- Les spécifications peuvent varier suivant les pays.
- Poids selon la procédure EPTA 01/2014

Utilisations

L'outil est conçu pour l'affleurage au ras et le profilage du bois, du plastique et de matériaux semblables.

Alimentation

L'outil ne devra être raccordé qu'à une alimentation de la même tension que celle qui figure sur la plaque signalétique, et il ne pourra fonctionner que sur un courant secteur monophasé. Réalisé avec une double isolation, il peut de ce fait être alimenté par une prise sans mise à la terre.

Bruit

Niveau de bruit pondéré A typique, déterminé selon EN62841-2-17 :

Modèle RP1802

Niveau de pression sonore (L_{pA}) : 85 dB (A)
 Niveau de puissance sonore (L_{WA}) : 96 dB (A)
 Incertitude (K) : 3 dB (A)

Modèle RP1802F

Niveau de pression sonore (L_{pA}) : 85 dB (A)
 Niveau de puissance sonore (L_{WA}) : 96 dB (A)
 Incertitude (K) : 3 dB (A)

Modèle RP1803

Niveau de pression sonore (L_{pA}) : 85 dB (A)
 Niveau de puissance sonore (L_{WA}) : 96 dB (A)
 Incertitude (K) : 3 dB (A)

Modèle RP1803F

Niveau de pression sonore (L_{pA}) : 85 dB (A)
 Niveau de puissance sonore (L_{WA}) : 96 dB (A)
 Incertitude (K) : 3 dB (A)

Modèle RP2302FC

Niveau de pression sonore (L_{pA}) : 88 dB (A)
 Niveau de puissance sonore (L_{WA}) : 99 dB (A)
 Incertitude (K) : 3 dB (A)

Modèle RP2303FC

Niveau de pression sonore (L_{pA}) : 88 dB (A)
 Niveau de puissance sonore (L_{WA}) : 99 dB (A)
 Incertitude (K) : 3 dB (A)

NOTE : La ou les valeurs d'émission de bruit déclarées ont été mesurées conformément à la méthode de test standard et peuvent être utilisées pour comparer les outils entre eux.

NOTE : La ou les valeurs d'émission de bruit déclarées peuvent aussi être utilisées pour l'évaluation préliminaire de l'exposition.

AVERTISSEMENT : Portez un serre-tête antibruit.

AVERTISSEMENT : L'émission de bruit lors de l'usage réel de l'outil électrique peut être différente de la ou des valeurs déclarées, suivant la façon dont l'outil est utilisé, particulièrement selon le type de pièce usinée.

AVERTISSEMENT : Les mesures de sécurité à prendre pour protéger l'utilisateur doivent être basées sur une estimation de l'exposition dans des conditions réelles d'utilisation (en tenant compte de toutes les composantes du cycle d'utilisation, comme par exemple le moment de sa mise hors tension, lorsqu'il tourne à vide et le moment de son déclenchement).

Vibrations

Valeur totale de vibrations (somme de vecteur triaxial) déterminée selon EN62841-2-17 :

Modèle RP1802

Mode de travail : coupe de rainures sur un panneau de fibres à densité moyenne

Émission de vibrations (a_{h1}) : 5,1 m/s²

Incertitude (K) : 1,5 m/s²

Modèle RP1802F

Mode de travail : coupe de rainures sur un panneau de fibres à densité moyenne

Émission de vibrations (a_{h1}) : 5,1 m/s²

Incertitude (K) : 1,5 m/s²

Modèle RP1803

Mode de travail : coupe de rainures sur un panneau de fibres à densité moyenne

Émission de vibrations (a_{h1}) : 5,1 m/s²

Incertitude (K) : 1,5 m/s²

Modèle RP1803F

Mode de travail : coupe de rainures sur un panneau de fibres à densité moyenne

Émission de vibrations (a_{h1}) : 5,1 m/s²

Incertitude (K) : 1,5 m/s²

Modèle RP2302FC

Mode de travail : coupe de rainures sur un panneau de fibres à densité moyenne

Émission de vibrations (a_{h1}) : 4,2 m/s²

Incertitude (K) : 1,5 m/s²

Modèle RP2303FC

Mode de travail : coupe de rainures sur un panneau de fibres à densité moyenne

Émission de vibrations (a_{h1}) : 4,2 m/s²

Incertitude (K) : 1,5 m/s²

NOTE : La ou les valeurs de vibration totales déclarées ont été mesurées conformément à la méthode de test standard et peuvent être utilisées pour comparer les outils entre eux.

NOTE : La ou les valeurs de vibration totales déclarées peuvent aussi être utilisées pour l'évaluation préliminaire de l'exposition.

⚠ AVERTISSEMENT : L'émission de vibrations lors de l'usage réel de l'outil électrique peut être différente de la ou des valeurs déclarées, suivant la façon dont l'outil est utilisé, particulièrement selon le type de pièce usinée.

⚠ AVERTISSEMENT : Les mesures de sécurité à prendre pour protéger l'utilisateur doivent être basées sur une estimation de l'exposition dans des conditions réelles d'utilisation (en tenant compte de toutes les composantes du cycle d'utilisation, comme par exemple le moment de sa mise hors tension, lorsqu'il tourne à vide et le moment de son déclenchement).

Déclaration de conformité CE

Pour les pays européens uniquement

La déclaration de conformité CE est fournie en Annexe A à ce mode d'emploi.

CONSIGNES DE SÉCURITÉ

Consignes de sécurité générales pour outils électriques

⚠ AVERTISSEMENT : Veuillez lire les consignes de sécurité, instructions, illustrations et spécifications qui accompagnent cet outil électrique. Le non-respect de toutes les instructions indiquées ci-dessous peut entraîner une électrocution, un incendie et/ou de graves blessures.

Conservez toutes les mises en garde et instructions pour référence ultérieure.

Le terme « outil électrique » dans les avertissements fait référence à l'outil électrique alimenté par le secteur (avec cordon d'alimentation) ou à l'outil électrique fonctionnant sur batterie (sans cordon d'alimentation).

Consignes de sécurité pour défonceuse

1. **Tenez l'outil électrique par une surface de prise isolée uniquement, étant donné que l'outil de coupe peut entrer en contact avec son cordon.** Couper un câble sous tension risque de mettre sous tension les pièces métalliques à découvert de l'outil électrique et d'électrocuter l'utilisateur.
2. **Utilisez des dispositifs de serrage ou un autre moyen pratique pour fixer et soutenir la pièce sur une plateforme stable.** La pièce sera instable et vous risquez d'en perdre la maîtrise si vous la tenez dans vos mains ou l'appuyez contre le corps.
3. **La tige de la fraise de coupe doit correspondre au mandrin à bague indiqué.**
4. **Utilisez uniquement une fraise dont la vitesse nominale est au moins égale à la vitesse maximale indiquée sur l'outil.**
5. **Portez des protège-tympans si vous utilisez l'outil pendant une période prolongée.**
6. **Manipulez les fraises de défonceuse avec beaucoup de précaution.**
7. **Vérifiez soigneusement l'absence de fissures ou de dommages sur les fraises de défonceuse avant l'utilisation.** Remplacez immédiatement les fraises fissurées ou abîmées.
8. **Prenez garde aux clous pendant la coupe.** Avant de travailler votre pièce, inspectez-la et retirez-en tous les clous.
9. **Tenez l'outil fermement à deux mains.**
10. **Gardez vos mains à l'écart des pièces en rotation.**

11. Assurez-vous que la fraise de défonceuse n'est pas en contact avec la pièce avant de mettre l'outil en marche.
12. Avant d'utiliser l'outil sur une pièce, faites-le tourner un instant à vide. Soyez attentif aux vibrations ou sautiellements pouvant indiquer que la fraise n'est pas bien installée ou est mal équilibrée.
13. Faites attention au sens de rotation de la fraise de défonceuse et au sens d'avance.
14. N'abandonnez pas l'outil alors qu'il tourne. Ne faites fonctionner l'outil qu'une fois que vous l'avez bien en main.
15. Avant de retirer l'outil de la pièce, mettez toujours l'outil hors tension et attendez que la fraise de défonceuse soit complètement immobilisée.
16. Ne touchez pas la fraise de défonceuse immédiatement après avoir terminé le travail ; elle peut être très chaude et vous brûler la peau.
17. Prenez garde de ne pas tacher le socle de l'outil avec du diluant, de l'essence, de l'huile ou toute substance similaire. Elles peuvent entraîner des fissures sur le socle de l'outil.
18. Certains matériaux contiennent des produits chimiques qui peuvent être toxiques. Prenez les précautions nécessaires pour ne pas inhaler les poussières et pour éviter tout contact avec la peau. Suivez les données de sécurité du fournisseur du matériau.
19. Portez toujours un masque anti-poussières/un masque filtrant adapté au matériau travaillé et à l'application utilisée.
20. Placez l'outil sur une zone stable. Autrement, une chute pourrait survenir et provoquer des blessures.
21. Éloignez le cordon de vos pieds ou d'autres objets. Autrement, un cordon enchevêtré peut provoquer une chute entraînant des blessures.

CONSERVEZ CES INSTRUCTIONS.

⚠️ AVERTISSEMENT : NE vous laissez PAS tromper (au fil d'une utilisation répétée) par un sentiment d'aisance et de familiarité avec le produit, en négligeant le respect rigoureux des consignes de sécurité qui accompagnent le produit en question. La MAUVAISE UTILISATION de l'outil ou l'ignorance des consignes de sécurité indiquées dans ce mode d'emploi peut entraîner de graves blessures.

DESCRIPTION DU FONCTIONNEMENT

⚠️ ATTENTION : Assurez-vous toujours que l'outil est hors tension et débranché avant de l'ajuster ou de vérifier son fonctionnement.

Réglage de la profondeur de la coupe

► **Fig.1:** 1. Levier de verrouillage 2. Boulon hexagonal de réglage 3. Bloc butoir 4. Bouton de réglage 5. Index de profondeur 6. Tige d'arrêt 7. Écrou de réglage de la tige d'arrêt 8. Bouton d'avance rapide

1. Placez l'outil sur une surface plane. Desserrez le levier de verrouillage et abaissez le corps de l'outil jusqu'à ce que la fraise de défonceuse entre légèrement en contact avec la surface plane. Serrez le levier de verrouillage pour verrouiller le corps de l'outil.
2. Tournez l'écrou de réglage de la tige d'arrêt dans le sens inverse des aiguilles d'une montre. Abaissez la tige d'arrêt jusqu'à ce qu'elle entre en contact avec le boulon hexagonal de réglage. Alignez l'index de profondeur sur la graduation « 0 ». La profondeur de coupe est indiquée sur l'échelle par l'index de profondeur.
3. Tout en appuyant sur le bouton d'avance rapide, soulevez la tige d'arrêt jusqu'à ce que vous obteniez la profondeur de coupe souhaitée. Il est possible de régler minutieusement la profondeur en tournant le bouton de réglage (1 mm par tour).
4. En tournant l'écrou de réglage de la tige d'arrêt dans le sens des aiguilles d'une montre, vous pouvez serrer fermement la tige d'arrêt.
5. À présent, la profondeur de coupe que vous avez prédéterminée peut être obtenue en desserrant le levier de verrouillage, puis en abaissant le corps de l'outil jusqu'à ce que la tige d'arrêt entre en contact avec le boulon hexagonal de réglage du bloc butoir.

Écrou en nylon

⚠️ ATTENTION : N'abaissez pas trop l'écrou en nylon. La fraise de défonceuse dépasserait alors dangereusement.

Vous pouvez régler la limite supérieure du corps de l'outil en tournant l'écrou en nylon.

► **Fig.2:** 1. Écrou en nylon

Bloc butoir

⚠️ ATTENTION : Comme une coupe trop profonde risquerait de surcharger le moteur et de rendre difficile la maîtrise de l'outil, la profondeur de coupe ne doit pas être supérieure à 15 mm par passe lors du rainurage avec une fraise de 8 mm de diamètre.

⚠️ ATTENTION : Lors du rainurage avec une fraise de 20 mm de diamètre, la profondeur de coupe ne doit pas être supérieure à 5 mm par passe.

⚠️ ATTENTION : Pour un rainurage très profond, faites deux ou trois passes en augmentant progressivement la profondeur de la fraise.

Le bloc butoir étant pourvu de trois boulons hexagonaux de réglage qui se soulèvent ou s'abaissent de 0,8 mm par tour, vous pouvez facilement obtenir trois profondeurs de coupe différentes sans avoir à régler la tige d'arrêt.

► **Fig.3:** 1. Tige d'arrêt 2. Boulon hexagonal de réglage 3. Bloc butoir

Réglez le boulon hexagonal de réglage le plus bas pour obtenir la profondeur de coupe la plus profonde en suivant la méthode indiquée dans « Réglage de la profondeur de la coupe ».

Réglez les deux boulons hexagonaux de réglage restants pour obtenir des profondeurs de coupe moins profondes. Les différences de hauteur entre ces boulons hexagonaux de réglage sont égales aux différences entre les profondeurs de coupe.

Pour ajuster les boulons hexagonaux de réglage, tournez-les avec un tournevis ou une clé. Le bloc butoir est également pratique pour effectuer trois passes en augmentant progressivement la profondeur de la fraise pour obtenir des rainures profondes.

Fonctionnement de l'interrupteur

ATTENTION : Avant de brancher l'outil, assurez-vous toujours que la gâchette fonctionne correctement et revient en position d'arrêt une fois relâchée.

ATTENTION : Assurez-vous que le blocage de l'arbre est relâché avant de mettre l'interrupteur sur la position de marche.

Pour éviter tout déclenchement accidentel de la gâchette, l'outil est muni d'un bouton de blocage.

► **Fig.4:** 1. Bouton de blocage 2. Gâchette

Pour démarrer l'outil, enfoncez le bouton de blocage et enclenchez la gâchette. Pour arrêter l'outil, relâchez la gâchette.

Pour un fonctionnement continu, enclenchez le bouton de blocage plus loin pendant que la gâchette est enclenchée.

Pour arrêter l'outil, enclenchez la gâchette de sorte que le bouton de blocage revienne automatiquement. Relâchez ensuite la gâchette.

Après avoir relâché la gâchette, la fonction de verrouillage s'active pour empêcher la gâchette d'être enclenchée.

ATTENTION : Tenez fermement l'outil lorsque vous le mettez hors tension pour ne pas en perdre la maîtrise sous l'effet de la réaction.

Fonction électronique

L'outil est doté de fonctions électroniques pour en faciliter le fonctionnement.

Voyant lumineux

► **Fig.5:** 1. Voyant lumineux

Le voyant lumineux s'allume en vert lorsque l'outil est branché. Si le voyant lumineux ne s'allume pas, il se peut que le cordon secteur ou le contrôleur soit défectueux. Si le voyant lumineux est allumé, mais que l'outil ne démarre pas alors qu'il est sous tension, il se peut que les balais en carbone soient usés ou que le contrôleur, le moteur ou l'interrupteur Marche/Arrêt soit défectueux.

Protection contre le redémarrage accidentel

Même branché, l'outil ne démarre pas avec la gâchette enclenchée.

À cet instant, le voyant lumineux clignote en rouge et indique que le dispositif de protection contre le redémarrage accidentel est activé.

Pour désactiver la protection contre le redémarrage accidentel, relâchez la gâchette.

Fonction de démarrage en douceur

La fonction de démarrage progressif réduit le choc du démarrage et permet à l'outil de démarrer doucement.

Contrôle de vitesse constante

Uniquement pour le modèle RP2302FC, RP2303FC

Permet d'obtenir une finition précise puisque la vitesse de rotation est maintenue constante même en condition de charge.

Molette de réglage de la vitesse

Uniquement pour le modèle RP2302FC, RP2303FC

AVERTISSEMENT : N'utilisez pas la molette de réglage de la vitesse pendant le fonctionnement. La fraise de défonceuse peut être touchée par l'opérateur en raison de la force de réaction. Ce qui peut entraîner des blessures corporelles.

REMARQUE : Si l'outil est utilisé de manière continue à vitesse basse sur une période prolongée, le moteur sera en surcharge, entraînant un dysfonctionnement de l'outil.

REMARQUE : La molette de réglage de la vitesse ne peut pas être tournée plus haut que 6 ou plus bas que 1. N'essayez pas de la placer au-delà de 6 ou en dessous de 1, sinon la fonction de réglage de la vitesse risque de ne plus fonctionner.

La vitesse de l'outil peut être modifiée en tournant la molette de réglage de la vitesse sur un numéro de réglage donné, de 1 à 6.

► **Fig.6:** 1. Molette de réglage de la vitesse

Une vitesse plus élevée est obtenue lorsque la molette est tournée en direction du numéro 6. Une vitesse moins élevée est obtenue lorsque la molette est tournée en direction du numéro 1.

Cela permet de sélectionner la vitesse idéale pour un traitement optimal du matériau, à savoir que la vitesse peut être ajustée correctement selon le matériau et le diamètre de la fraise. Reportez-vous au tableau pour le rapport entre les réglages numérotés sur la molette et la vitesse approximative de l'outil.

Numéro	min ⁻¹
1	9 000
2	11 000
3	14 000
4	17 000
5	20 000
6	23 000

Allumage des lampes

Uniquement pour le modèle RP1802F, RP1803F, RP2302FC, RP2303FC

ATTENTION : Évitez de regarder directement le faisceau lumineux ou sa source.

Enclenchez la gâchette pour allumer la lumière. La lampe reste allumée tant que la gâchette est enclenchée. La lampe s'éteint environ 10 secondes après avoir relâché la gâchette.

► Fig.7: 1. Lampe

NOTE : Retirez la saleté sur la lentille de la lampe avec un chiffon sec. Prenez soin de ne pas érafler la lentille de la lampe sous peine de diminuer son éclairage.

ASSEMBLAGE

ATTENTION : Avant d'effectuer toute intervention sur l'outil, assurez-vous toujours qu'il est hors tension et débranché.

Pose ou dépose de la fraise de défonceuse

ATTENTION : Installez solidement la fraise de défonceuse. Veillez toujours à utiliser uniquement la clé fournie avec l'outil. Une fraise de défonceuse pas assez ou trop serrée représente un danger.

REMARQUE : Ne serrez pas l'écrou de serrage sans y avoir inséré une fraise de défonceuse ni n'installez de petites fraises pour tige sans utiliser un manchon de serrage. Dans un cas comme dans l'autre, vous risqueriez de casser le cône de serrage.

1. Insérez à fond la fraise de défonceuse dans le cône de serrage.
2. Appuyez sur le blocage de l'arbre pour maintenir l'arbre immobile et utilisez la clé pour serrer solidement l'écrou de serrage. Si vous utilisez des fraises de défonceuse avec un petit diamètre de tige, commencez par insérer le manchon de serrage adéquat dans le cône de serrage, puis posez la fraise de défonceuse.

► Fig.8: 1. Blocage de l'arbre 2. Clé 3. Desserrer 4. Serrer

Pour déposer la fraise de défonceuse, suivez la procédure de pose en sens inverse.

UTILISATION

AVERTISSEMENT : Avant utilisation, assurez-vous toujours que la tige d'arrêt est solidement maintenue par l'écrou de réglage de la tige d'arrêt. Autrement, la profondeur de coupe peut changer en cours de fonctionnement et vous blesser.

ATTENTION : Avant utilisation, assurez-vous toujours que le corps de l'outil se soulève automatiquement jusqu'à la limite supérieure et que la fraise de défonceuse ne dépasse pas du socle de l'outil lorsque le levier de verrouillage est desserré.

ATTENTION : Utilisez toujours les deux manches et tenez fermement l'outil par les deux manches pendant les tâches.

ATTENTION : Avant utilisation, assurez-vous toujours que le déflecteur de copeaux est correctement installé.

► Fig.9: 1. Déflecteur de copeaux

1. Placez le socle sur la pièce à couper sans que la fraise de défonceuse touche quoi que ce soit.
2. Mettez l'outil sous tension et attendez que la fraise de défonceuse ait atteint sa pleine vitesse.
3. Abaissez le corps de l'outil et faites avancer l'outil sur la surface de la pièce, en maintenant le socle au ras de la pièce et en progressant régulièrement jusqu'à ce que la coupe soit terminée.

► Fig.10

Lorsque vous faites des coupes sur des bords, la surface de la pièce doit être du côté gauche de la fraise de défonceuse dans le sens d'avance.

► Fig.11: 1. Pièce 2. Sens de rotation de la fraise 3. Vue du haut de l'outil 4. Sens d'avance

NOTE : Si vous déplacez votre outil trop vite vers l'avant, vous risquez d'obtenir une coupe de qualité médiocre et d'endommager la fraise de défonceuse ou le moteur. Si vous déplacez l'outil trop lentement vers l'avant, vous risquez de brûler la pièce et de gâcher la coupe. La vitesse d'avance adéquate dépend du calibre de la fraise de défonceuse, de la nature de la pièce et de la profondeur de coupe.

Avant de commencer votre coupe sur la pièce, nous vous conseillons de faire un essai sur un morceau de chute de bois. Cela vous montrera exactement l'allure qu'aura votre coupe et vous permettra de vérifier les dimensions.

NOTE : Lorsque vous utilisez le guide de coupe rectiligne ou le guide d'affleurage, veillez à l'installer sur le côté droit dans le sens d'avance. Cela vous aidera à le garder bien en contact avec le côté de la pièce.

► Fig.12: 1. Sens d'avance 2. Sens de rotation de la fraise 3. Pièce 4. Guide de coupe rectiligne

Guide de coupe rectiligne

Le guide de coupe rectiligne est efficace pour obtenir des coupes droites lors du chanfreinage ou du rainurage.

1. Installez le guide de coupe rectiligne sur le porte-guide au moyen de la vis de serrage (B). Insérez le porte-guide dans les orifices du socle de l'outil et serrez la vis de serrage (A). Pour régler la distance entre la fraise de défonceuse et le guide de coupe rectiligne, desserrez la vis de serrage (B) et tournez la vis de réglage fin (1,5 mm par tour). À la distance souhaitée, serrez la vis de serrage (B) pour fixer le guide de coupe rectiligne en position.

► **Fig.13:** 1. Vis de serrage (A) 2. Guide de coupe rectiligne 3. Porte-guide 4. Vis de réglage fin 5. Vis de serrage (B)

2. Lors de la coupe, déplacez l'outil avec le guide de coupe rectiligne bien en contact avec le côté de la pièce.

Il est possible d'obtenir un guide de coupe rectiligne plus large aux dimensions de votre choix en utilisant les orifices pratiques du guide pour boulonner des morceaux de bois supplémentaires.

Pour utiliser une fraise de défonceuse avec un grand diamètre, fixez sur le guide de coupe rectiligne des morceaux de bois d'une épaisseur supérieure à 15 mm (5/8") pour éviter que la fraise de défonceuse ne frappe contre le guide de coupe rectiligne.

► **Fig.14:** 1. Guide de coupe rectiligne 2. Bois

A=55 mm (2-3/16")

B=55 mm (2-3/16")

C=15 mm (5/8") ou plus épais

Si la distance entre le côté de la pièce et la position de coupe est trop importante pour le guide de coupe rectiligne ou si le côté de la pièce n'est pas droit, le guide de coupe rectiligne ne pourra pas être utilisé. Dans ce cas, fixez fermement une planche droite sur la pièce et servez-vous-en comme guide contre le socle. Faites avancer l'outil dans le sens de la flèche.

► **Fig.15**

Guide de coupe rectiligne à réglage fin

Accessoire en option

Insérez les deux tiges dans les fentes de montage extérieures du porte-guide et fixez-les en place en serrant les deux vis de serrage (B). Assurez-vous que la vis à oreilles (A) est serrée, insérez les deux tiges dans le socle et serrez les vis de serrage (A).

► **Fig.16:** 1. Vis de serrage (B) 2. Vis à oreilles (A) 3. Vis de serrage (A)

Fonction de réglage fin pour placer la lame en relation avec le guide de coupe rectiligne

► **Fig.17:** 1. Vis à oreilles (A) 2. Vis à oreilles (B) 3. Anneau gradué

1. Desserrez la vis à oreilles (A).
2. Tournez la vis à oreilles (B) pour ajuster la position (un tour ajuste la position d'un millimètre) au besoin.
3. Serrez la vis à oreilles (A) jusqu'à ce qu'elle ne bouge plus.

L'anneau gradué peut être tourné séparément, ce qui permet d'aligner l'unité de graduation sur zéro (0).

Réglage de la largeur du sabot de guidage

Desserrez les vis entourées d'un cercle afin de modifier la largeur du guide de coupe rectiligne. Après avoir modifié la largeur, serrez les vis jusqu'à ce qu'elles ne bougent plus.

La plage de modification de la largeur du sabot de guidage est comprise entre 280 mm et 350 mm.

► **Fig.18:** 1. Vis

Lorsque la largeur d'ouverture minimum est réglée

► **Fig.19**

Lorsque la largeur d'ouverture maximum est réglée

► **Fig.20**

Guide de gabarit

Accessoire en option

Le guide de gabarit présente un manchon à travers lequel passe la fraise de défonceuse, permettant d'utiliser la défonceuse avec des modèles de gabarit.

► **Fig.21**

1. Tirez sur le levier de la plaque pivot et insérez-le dans le guide de gabarit.

► **Fig.22:** 1. Guide de gabarit 2. Levier de la plaque pivot

2. Fixez le gabarit à la pièce. Placez l'outil sur le gabarit et déplacez l'outil avec le guide de gabarit glissant le long du côté du gabarit.

► **Fig.23:** 1. Fraise de défonceuse 2. Socle 3. Semelle 4. Gabarit 5. Pièce 6. Guide de gabarit

NOTE : La pièce sera coupée avec une taille légèrement différente du gabarit. Prévoyez la distance (X) entre la fraise de défonceuse et l'extérieur du guide de gabarit. L'équation suivante permet de calculer la distance (X) :

Distance (X) = (diamètre extérieur du guide de gabarit - diamètre de la fraise de défonceuse) / 2

Guide d'affleurage

Accessoire en option

Le guide d'affleurage permet d'effectuer aisément affleurage ou coupes courbes des bois de placage pour meuble ou autre. Le galet de guidage suit la courbe et assure une coupe précise.

► **Fig.24:** 1. Guide d'affleurage

Installez le guide d'affleurage sur le porte-guide au moyen de la vis de serrage (D). Insérez le porte-guide dans les orifices du socle de l'outil et serrez la vis de serrage (A). Pour régler la distance entre la fraise de défonceuse et le guide d'affleurage, desserrez la vis de serrage (D) et tournez la vis de réglage fin (1,5 mm par tour). Lorsque vous réglez le galet de guidage vers le haut ou le bas, desserrez la vis de serrage (C). Après le réglage, serrez solidement toutes les vis de serrage.

► **Fig.25:** 1. Porte-guide 2. Vis de réglage fin 3. Vis de serrage (D) 4. Vis de serrage (C) 5. Galet de guidage 6. Vis de serrage (A)

Lors de la coupe, déplacez l'outil avec le galet de guidage suivant le côté de la pièce.

► **Fig.26:** 1. Fraise de défonceuse 2. Galet de guidage 3. Pièce

Jeux de raccord à poussière

Utilisez le raccord à poussière pour aspirer la poussière.

1. Installez le raccord à poussière sur le socle de l'outil au moyen de la vis à oreilles de sorte que la partie saillante sur le raccord à poussière s'insère dans l'entaille du socle de l'outil.

► **Fig.27:** 1. Raccord à poussière 2. Vis à oreilles

2. Raccordez un aspirateur au raccord à poussière.

► **Fig.28**

Comment utiliser la vis M6 x 135 pour régler la profondeur de coupe

Lors de l'utilisation de l'outil avec une table pour défonceuse en vente dans le commerce, l'utilisation de cette vis permet à l'opérateur d'obtenir une petite quantité de réglage de la profondeur de coupe depuis le dessus de la table.

Installation de la vis avec rondelle sur l'outil

Insérez la vis avec rondelle dans un trou de vis sur le socle de l'outil, puis vissez la partie filetée du support du moteur de l'outil. À ce stade, appliquez de la graisse ou de l'huile lubrifiante à l'intérieur du trou de vis sur le socle de l'outil et la partie filetée du support du moteur.

► **Fig.29:** 1. Rondelle plate 6 2. Vis M6 x 135

► **Fig.30:** 1. Vis M6 x 135 dans un trou de vis

► **Fig.31:** 1. Vis M6 x 135 2. Partie filetée du support du moteur

Réglage de la profondeur de la coupe

1. Une petite quantité de profondeur de coupe peut être obtenue en tournant cette vis avec un tournevis depuis le dessus de la table. (1,0 mm par tour complet)

2. Tourner la vis dans le sens des aiguilles d'une montre augmente la profondeur de coupe tandis que tourner la vis dans le sens inverse des aiguilles d'une montre réduit la profondeur de coupe.

► **Fig.32:** 1. Tournevis

ENTRETIEN

⚠ ATTENTION : Assurez-vous toujours que l'outil est hors tension et débranché avant d'y effectuer tout travail d'inspection ou d'entretien.

REMARQUE : N'utilisez jamais d'essence, benzine, diluant, alcool ou autre produit similaire. Cela risquerait de provoquer la décoloration, la déformation ou la fissuration de l'outil.

Pour assurer la SÉCURITÉ et la FIABILITÉ du produit, toute réparation, tout travail d'entretien ou de réglage doivent être effectués par un centre d'entretien Makita agréé, avec des pièces de rechange Makita.

Remplacement d'un balai en carbone

► **Fig.33:** 1. Repère d'usure

Vérifiez régulièrement les balais en carbone.

Remplacez-les lorsqu'ils sont usés jusqu'au repère d'usure. Maintenez les balais en carbone propres et en état de glisser aisément dans les porte-charbons. Les deux balais en carbone doivent être remplacés en même temps. N'utilisez que des balais en carbone identiques.

1. Retirez les bouchons de porte-charbon à l'aide d'un tournevis.

2. Enlevez les balais en carbone usés, insérez les neufs et revissez solidement les bouchons de porte-charbon.

► **Fig.34:** 1. Bouchon de porte-charbon

Uniquement pour le modèle RP1803, RP1803F, RP2303FC

Après avoir remplacé les balais, branchez l'outil et rodez les balais en faisant tourner l'outil à vide pendant 10 minutes environ. Vérifiez ensuite l'outil pendant qu'il tourne et le fonctionnement du frein électrique lorsque vous relâchez la gâchette.

Si le frein électrique ne fonctionne pas bien, demandez à votre centre de service Makita local de réparer l'outil.

ACCESSOIRES EN OPTION

⚠ ATTENTION : Ces accessoires ou pièces complémentaires sont recommandés pour l'utilisation avec l'outil Makita spécifié dans ce mode d'emploi. L'utilisation de tout autre accessoire ou pièce complémentaire peut comporter un risque de blessure. N'utilisez les accessoires ou pièces complémentaires qu'aux fins auxquelles ils ont été conçus.

Pour obtenir plus de détails sur ces accessoires, contactez votre centre d'entretien local Makita.

- Fraises droite et de formation de rainure
- Fraises de formation de bord
- Fraises pour découpe de stratifié
- Guide de coupe rectiligne
- Guide d'affleurage
- Porte-guide
- Guides de gabarit
- Adaptateur pour guide de gabarit
- Contre-écrou
- Cône de serrage
- Manchon de serrage
- Clé
- Jeu de raccord à poussière

NOTE : Il se peut que certains éléments de la liste soient compris dans l'emballage de l'outil en tant qu'accessoires standard. Ils peuvent varier d'un pays à l'autre.

Fraises de défonceuse

Fraise droite

► Fig.35

Unité : mm

D	A	L1	L2
6	20	50	15
1/4"			
12			
1/2"	12	60	30
12			
1/2"	10	60	25
8			
8	8	60	25
6			
1/4"			
6	6	50	18
1/4"			

Fraise à rainurer en « U »

► Fig.36

Unité : mm

D	A	L1	L2	R
6	6	50	18	3

Fraise à rainurer en « V »

► Fig.37

Unité : mm

D	A	L1	L2	θ
1/4"	20	50	15	90°

Fraise à affleurer à pointe de foret

► Fig.38

Unité : mm

D	A	L1	L2	L3
12	12	60	20	35
8	8	60	20	35
6	6	60	18	28

Fraise à affleurer à pointe de foret combinaison double

► Fig.39

Unité : mm

D	A	L1	L2	L3	L4
6	6	70	40	12	14

Fraise à bouvetage mâle

► Fig.40

Unité : mm

D	A1	A2	L1	L2	L3
12	38	27	61	4	20

Fraise quart de rond

► Fig.41

Unité : mm

D	A1	A2	L1	L2	L3	R
6	25	9	48	13	5	8
6	20	8	45	10	4	4

Fraise à chanfreiner

► Fig.42

Unité : mm

D	A	L1	L2	L3	θ
6	23	46	11	6	30°
6	20	50	13	5	45°
6	20	49	14	2	60°

Fraise pour panneau mouluré en cavet

► Fig.43

Unité : mm

D	A	L1	L2	R
6	20	43	8	4
6	25	48	13	8

Fraise à affleurer à roulement

► Fig.44

Unité : mm

D	A	L1	L2
6	10	50	20
1/4"			

Fraise quart de rond à roulement

► Fig.45

Unité : mm

D	A1	A2	L1	L2	L3	R
6	15	8	37	7	3,5	3
6	21	8	40	10	3,5	6
1/4"	21	8	40	10	3,5	6

Fraise à chanfreiner à roulement

► Fig.46

Unité : mm

D	A1	A2	L1	L2	θ
6	26	8	42	12	45°
1/4"					
6	20	8	41	11	60°

Fraise à moulurer à roulement

► Fig.47

Unité : mm

D	A1	A2	A3	L1	L2	L3	R
6	20	12	8	40	10	5,5	4
6	26	12	8	42	12	4,5	7

Fraise pour panneau mouluré en cavet à roulement

► Fig.48

Unité : mm

D	A1	A2	A3	A4	L1	L2	L3	R
6	20	18	12	8	40	10	5,5	3
6	26	22	12	8	42	12	5	5

Fraise à doucine à roulement

► Fig.49

Unité : mm

D	A1	A2	L1	L2	L3	R1	R2
6	20	8	40	10	4,5	2,5	4,5
6	26	8	42	12	4,5	3	6

TECHNISCHE DATEN

Modell:	RP1802	RP1802F	RP1803	RP1803F	RP2302FC	RP2303FC
Spannzangenfutterkapazität	12 mm bzw. 1/2"					
Hubhöhe	0 - 70 mm					
Leerlaufdrehzahl	23.000 min ⁻¹		22.000 min ⁻¹		9.000 - 23.000 min ⁻¹	
Gesamthöhe	312 mm				327 mm	
Nettogewicht	6,2 kg					
Sicherheitsklasse	□/II					
Lampe	-	✓	-		✓	
Drehzahl-Stellrad	-				✓	
Elektrische Bremse	-		✓		-	✓

- Wir behalten uns vor, Änderungen der technischen Daten im Zuge der Entwicklung und des technischen Fortschritts ohne vorherige Ankündigung vorzunehmen.
- Die technischen Daten können von Land zu Land unterschiedlich sein.
- Gewicht nach EPTA-Verfahren 01/2014

Vorgesehene Verwendung

Das Werkzeug ist zum Bündigfräsen und Profildrehen von Holz, Kunststoff und ähnlichen Materialien vorgesehen.

Stromversorgung

Das Werkzeug sollte nur an eine Stromquelle angeschlossen werden, deren Spannung mit der Angabe auf dem Typenschild übereinstimmt, und kann nur mit Einphasen-Wechselstrom betrieben werden. Diese sind doppelt schutzisoliert und können daher auch an Steckdosen ohne Erdleiter verwendet werden.

Geräusch

Typischer A-bewerteter Geräuschpegel ermittelt gemäß EN62841-2-17:

Modell RP1802

Schalldruckpegel (L_{pA}): 85 dB (A)
Schallleistungspegel (L_{WA}): 96 dB (A)
Messunsicherheit (K): 3 dB (A)

Modell RP1802F

Schalldruckpegel (L_{pA}): 85 dB (A)
Schallleistungspegel (L_{WA}): 96 dB (A)
Messunsicherheit (K): 3 dB (A)

Modell RP1803

Schalldruckpegel (L_{pA}): 85 dB (A)
Schallleistungspegel (L_{WA}): 96 dB (A)
Messunsicherheit (K): 3 dB (A)

Modell RP1803F

Schalldruckpegel (L_{pA}): 85 dB (A)
Schallleistungspegel (L_{WA}): 96 dB (A)
Messunsicherheit (K): 3 dB (A)

Modell RP2302FC

Schalldruckpegel (L_{pA}): 88 dB (A)
Schallleistungspegel (L_{WA}): 99 dB (A)
Messunsicherheit (K): 3 dB (A)

Modell RP2303FC

Schalldruckpegel (L_{pA}): 88 dB (A)
Schallleistungspegel (L_{WA}): 99 dB (A)
Messunsicherheit (K): 3 dB (A)

HINWEIS: Der (Die) angegebene(n) Schallemissionswert(e) wurde(n) im Einklang mit der Standardprüfmethode gemessen und kann (können) für den Vergleich zwischen Werkzeugen herangezogen werden.

HINWEIS: Der (Die) angegebene(n) Schallemissionswert(e) kann (können) auch für eine Vorbewertung des Gefährdungsgrads verwendet werden.

⚠️ WARNUNG: Einen Gehörschutz tragen.

⚠️ WARNUNG: Die Schallemission während der tatsächlichen Benutzung des Elektrowerkzeugs kann je nach der Benutzungsweise des Werkzeugs, und speziell je nach der Art des bearbeiteten Werkstücks, von dem (den) angegebenen Wert(en) abweichen.

⚠️ WARNUNG: Identifizieren Sie Sicherheitsmaßnahmen zum Schutz des Benutzers anhand einer Schätzung des Gefährdungsgrads unter den tatsächlichen Benutzungsbedingungen (unter Berücksichtigung aller Phasen des Arbeitszyklus, wie z. B. Ausschalt- und Leerlaufzeiten des Werkzeugs zusätzlich zur Betriebszeit).

Schwingungen

Schwingungsgesamtwert (Drei-Achsen-Vektorsumme) ermittelt gemäß EN62841-2-17:

Modell RP1802

Arbeitsmodus: Nutenfräsen in MDF
Schwingungsemission (a_n): 5,1 m/s²
Messunsicherheit (K): 1,5 m/s²

Modell RP1802F

Arbeitsmodus: Nutenfräsen in MDF
Schwingungsemission (a_n): 5,1 m/s²
Messunsicherheit (K): 1,5 m/s²

Modell RP1803

Arbeitsmodus: Nutenfräsen in MDF
Schwingungsemission (a_n): 5,1 m/s²
Messunsicherheit (K): 1,5 m/s²

Modell RP1803F

Arbeitsmodus: Nutenfräsen in MDF
Schwingungsemission (a_n): 5,1 m/s²
Messunsicherheit (K): 1,5 m/s²

Modell RP2302FC

Arbeitsmodus: Nutenfräsen in MDF
Schwingungsemission (a_n): 4,2 m/s²
Messunsicherheit (K): 1,5 m/s²

Modell RP2303FC

Arbeitsmodus: Nutenfräsen in MDF
Schwingungsemission (a_n): 4,2 m/s²
Messunsicherheit (K): 1,5 m/s²

HINWEIS: Der (Die) angegebene(n)

Vibrationsgesamtwert(e) wurde(n) im Einklang mit der Standardprüfmethode gemessen und kann (können) für den Vergleich zwischen Werkzeugen herangezogen werden.

HINWEIS: Der (Die) angegebene(n)

Vibrationsgesamtwert(e) kann (können) auch für eine Vorbewertung des Gefährdungsgrads verwendet werden.

⚠️ WARNUNG: Die Vibrationsemission während der tatsächlichen Benutzung des Elektrowerkzeugs kann je nach der Benutzungsweise des Werkzeugs, und speziell je nach der Art des bearbeiteten Werkstücks, von dem (den) angegebenen Emissionswert(en) abweichen.

⚠️ WARNUNG: Identifizieren Sie Sicherheitsmaßnahmen zum Schutz des Benutzers anhand einer Schätzung des Gefährdungsgrads unter den tatsächlichen Benutzungsbedingungen (unter Berücksichtigung aller Phasen des Arbeitszyklus, wie z. B. Ausschalt- und Leerlaufzeiten des Werkzeugs zusätzlich zur Betriebszeit).

EG-Konformitätserklärung

Nur für europäische Länder

Die EG-Konformitätserklärung ist als Anhang A in dieser Bedienungsanleitung enthalten.

SICHERHEITSWARNUNGEN

Allgemeine Sicherheitswarnungen für Elektrowerkzeuge

⚠️ WARNUNG: Lesen Sie alle mit diesem Elektrowerkzeug gelieferten Sicherheitswarnungen, Anweisungen, Abbildungen und technischen Daten durch. Eine Missachtung der unten aufgeführten Anweisungen kann zu einem elektrischen Schlag, Brand und/oder schweren Verletzungen führen.

Bewahren Sie alle Warnungen und Anweisungen für spätere Bezugnahme auf.

Der Ausdruck „Elektrowerkzeug“ in den Warnhinweisen bezieht sich auf Ihr mit Netzstrom (mit Kabel) oder Akku (ohne Kabel) betriebenes Elektrowerkzeug.

Sicherheitswarnungen für Oberfräse

1. **Halten Sie das Elektrowerkzeug nur an den isolierten Griffflächen, weil das Messer das eigene Kabel berühren kann.** Bei Kontakt mit einem Strom führenden Kabel können die freilegenden Metallteile des Elektrowerkzeugs ebenfalls Strom führend werden, so dass der Benutzer einen elektrischen Schlag erleiden kann.
2. **Verwenden Sie Klemmen oder eine andere praktische Methode, um das Werkstück auf einer stabilen Unterlage zu sichern und abzustützen.** Wenn Sie das Werkstück nur mit der Hand oder gegen Ihren Körper halten, befindet es sich in einer instabilen Lage, die zum Verlust der Kontrolle führen kann.
3. **Der Einsatzschaft des Messers muss mit der dafür ausgelegten Spannzange übereinstimmen.**
4. **Verwenden Sie nur Einsätze, deren Drehzahl mindestens der auf dem Werkzeug angegebenen Maximaldrehzahl entspricht.**
5. **Tragen Sie bei längeren Betriebszeitspannen einen Gehörschutz.**
6. **Behandeln Sie die Oberfräseneinsätze mit größter Sorgfalt.**
7. **Überprüfen Sie den Oberfräseneinsatz vor dem Betrieb sorgfältig auf Risse oder Beschädigung. Wechseln Sie einen gerissenen oder beschädigten Einsatz unverzüglich aus.**
8. **Vermeiden Sie das Schneiden von Nägeln. Untersuchen Sie das Werkstück sorgfältig auf Nägel, und entfernen Sie diese vor der Bearbeitung.**
9. **Halten Sie das Werkzeug mit beiden Händen fest.**
10. **Halten Sie Ihre Hände von rotierenden Teilen fern.**

11. Vergewissern Sie sich vor dem Einschalten des Werkzeugs, dass der Oberfräseneinsatz nicht das Werkstück berührt.
12. Lassen Sie das Werkzeug vor der eigentlichen Bearbeitung eines Werkstücks eine Weile laufen. Achten Sie auf Vibrationen oder Taumelbewegungen, die auf einen falsch montierten Einsatz hindeuten können.
13. Achten Sie sorgfältig auf die Drehrichtung und die Vorschubrichtung des Oberfräseneinsatzes.
14. Lassen Sie das Werkzeug nicht unbeaufsichtigt laufen. Benutzen Sie das Werkzeug nur im handgeführten Einsatz.
15. Schalten Sie das Werkzeug stets aus, und warten Sie, bis der Oberfräseneinsatz zum vollständigen Stillstand kommt, bevor Sie ihn aus dem Werkstück herausnehmen.
16. Vermeiden Sie eine Berührung des Oberfräseneinsatzes unmittelbar nach der Bearbeitung, weil er dann noch sehr heiß ist und Hautverbrennungen verursachen kann.
17. Beschriften Sie die Grundplatte nicht achtlos mit Verdünner, Benzin, Öl oder dergleichen. Diese Stoffe können Risse in der Grundplatte verursachen.
18. Manche Materialien können giftige Chemikalien enthalten. Treffen Sie Vorsichtsmaßnahmen, um das Einatmen von Arbeitsstaub und Hautkontakt zu verhindern. Befolgen Sie die Sicherheitsdaten des Materiallieferanten.
19. Verwenden Sie stets die korrekte Staubschutz-/Atemmaske für das jeweilige Material und die Anwendung.
20. Legen Sie das Werkzeug auf eine stabile Fläche. Anderenfalls kann das Werkzeug herunterfallen und schwere Verletzungen verursachen.
21. Halten Sie das Kabel von Ihren Füßen oder anderen Objekten fern. Andernfalls kann ein verwickeltes Kabel einen Sturzunfall verursachen und zu Personenschäden führen.

BEWAHREN SIE DIESE ANLEITUNG AUF.

⚠️ WARNUNG: Lassen Sie sich NICHT durch Bequemlichkeit oder Vertrautheit mit dem Produkt (durch wiederholten Gebrauch erworben) von der strikten Einhaltung der Sicherheitsregeln für das vorliegende Produkt abhalten. MISSBRAUCH oder Missachtung der Sicherheitsvorschriften in dieser Anleitung können schwere Personenschäden verursachen.

FUNKTIONSBESCHREIBUNG

⚠️ VORSICHT: Vergewissern Sie sich vor jeder Einstellung oder Funktionsprüfung des Werkzeugs stets, dass es ausgeschaltet und vom Stromnetz getrennt ist.

Einstellen der Frästiefe

- **Abb.1:** 1. Verriegelungshebel 2. Sechskant-Einstellschraube 3. Anschlagblock 4. Einstellknopf 5. Tiefenzeiger 6. Anschlagstange 7. Anschlagstangen-Einstellmutter 8. Schnellvorschubknopf

1. Stellen Sie das Werkzeug auf eine ebene Fläche. Lösen Sie den Verriegelungshebel, und senken Sie den Werkzeugkörper ab, bis der Oberfräseneinsatz die ebene Fläche leicht berührt. Ziehen Sie den Verriegelungshebel an, um den Werkzeugkörper zu verriegeln.
2. Drehen Sie die Anschlagstangen-Einstellmutter entgegen dem Uhrzeigersinn. Senken Sie die Anschlagstange ab, bis sie die Sechskant-Einstellschraube berührt. Richten Sie den Tiefenzeiger auf den Teilstrich „0“ aus. Die Frästiefe wird durch den Tiefenzeiger auf der Skala angezeigt.
3. Während Sie den Schnellvorschubknopf drücken, heben Sie die Anschlagstange an, bis die gewünschte Frästiefe erreicht ist. Feineinstellungen der Tiefe können durch Drehen des Einstellknopfes erhalten werden (1 mm pro Umdrehung).
4. Durch Drehen der Anschlagstangen-Einstellmutter im Uhrzeigersinn können Sie die Anschlagstange sicher befestigen.
5. Nun können Sie Ihre vorgegebene Frästiefe erreichen, indem Sie den Verriegelungshebel lösen und dann den Werkzeugkörper absenken, bis die Anschlagstange die Sechskant-Einstellschraube des Anschlagblocks berührt.

Nylonmutter

⚠️ VORSICHT: Senken Sie die Nylonmutter nicht zu tief ab. Anderenfalls steht der Oberfräseneinsatz gefährlich weit über.

Die Obergrenze des Werkzeugkörpers kann durch Drehen der Nylonmutter eingestellt werden.

- **Abb.2:** 1. Nylonmutter

Anschlagblock

⚠️ VORSICHT: Da übermäßiges Fräsen zu einer Überlastung des Motors oder zu Schwierigkeiten bei der Kontrolle des Werkzeugs führen kann, sollte die Frästiefe beim Fräsen von Nuten mit einem Einsatz von 8 mm Durchmesser nicht mehr als 15 mm pro Durchgang betragen.

⚠️ VORSICHT: Wenn Sie Nuten mit einem Einsatz von 20 mm Durchmesser schneiden, sollte die Frästiefe nicht mehr als 5 mm in einem Durchgang betragen.

⚠️ VORSICHT: Führen Sie für besonders tiefe Auskehlarbeiten zwei oder drei Durchgänge mit zunehmend tieferen Einstellungen des Einsatzes aus.

Da der Anschlagblock drei Sechskant-Einstellschrauben besitzt, die sich pro Umdrehung um 0,8 mm anheben oder absenken, können Sie problemlos drei verschiedene Frästiefen erzielen, ohne die Anschlagstange neu einstellen zu müssen.

► **Abb.3:** 1. Anschlagstange 2. Sechskant-Einstellschraube 3. Anschlagblock

Stellen Sie die unterste Sechskant-Einstellschraube nach der Methode „Einstellen der Frästiefe“ ein, um die größte Frästiefe zu erhalten.

Stellen Sie die beiden übrigen Sechskant-Einstellschrauben ein, um flachere Frästiefen zu erhalten. Die Höhenunterschiede dieser Sechskant-Einstellschrauben entsprechen den Frästiefenunterschieden.

Drehen Sie die Sechskant-Einstellschrauben zum Einstellen mit einem Schraubendreher oder Schraubenschlüssel. Der Anschlagblock ist auch praktisch, um drei Durchgänge mit fortschreitend tieferen Fräseinstellungen durchzuführen, wenn tiefe Nuten gefräst werden.

Schalterfunktion

⚠ VORSICHT: Vergewissern Sie sich vor dem Anschließen des Werkzeugs an das Stromnetz stets, dass der Auslöseschalter ordnungsgemäß funktioniert und beim Loslassen in die AUS-Stellung zurückkehrt.

⚠ VORSICHT: Vergewissern Sie sich vor dem Einschalten des Werkzeugs, dass die Spindelarretierung gelöst ist.

Um versehentliche Betätigung des Auslöseschalters zu verhindern, ist das Werkzeug mit einem Sperrknopf ausgestattet.

► **Abb.4:** 1. Sperrtaste 2. Auslöseschalter

Zum Starten des Werkzeugs drücken Sie die Sperrtaste, und betätigen Sie dann den Auslöseschalter. Zum Ausschalten lassen Sie den Auslöseschalter los.

Für Dauerbetrieb drücken Sie den Sperrknopf weiter hinein, während der Auslöseschalter betätigt wird.

Zum Stoppen des Werkzeugs betätigen Sie den Auslöseschalter, so dass die Sperrtaste automatisch ausrastet. Lassen Sie dann den Auslöseschalter los. Nach dem Loslassen des Auslöseschalters wird die Verriegelungsfunktion wirksam, um eine Betätigung des Auslöseschalters zu verhindern.

⚠ VORSICHT: Halten Sie das Werkzeug beim Ausschalten mit festem Griff, um der Reaktionskraft entgegenzuwirken.

Elektronikfunktionen

Das Werkzeug ist für komfortablen Betrieb mit Elektronikfunktionen ausgestattet.

Anzeigelampe

► **Abb.5:** 1. Anzeigenleuchte

Die Anzeigelampe leuchtet grün auf, wenn das Werkzeug angeschlossen wird. Leuchtet die Anzeigelampe nicht auf, ist möglicherweise das Netzkabel oder die Steuerschaltung defekt. Läuft das Werkzeug trotz leuchtender Anzeigelampe nicht an, wenn es eingeschaltet wird, sind möglicherweise die Kohlebürsten abgenutzt, oder die Steuerschaltung, der Motor oder der EIN/AUS-Schalter ist defekt.

Schutz vor ungewolltem Neustart

Das Werkzeug läuft bei betätigtem Auslöseschalter nicht an, selbst wenn der Netzstecker eingesteckt ist. In diesem Fall blinkt die Anzeigelampe rot, um anzuzeigen, dass die Schutzvorrichtung zur Verhinderung eines ungewollten Neustarts aktiviert ist.

Um den Schutz vor ungewolltem Neustart aufzuheben, lassen Sie den Auslöseschalter los.

Soft-Start-Funktion

Die Soft-Start-Funktion reduziert Anlaufstöße auf ein Minimum und bewirkt ruckfreies Anlaufen des Werkzeugs.

Konstantdrehzahlregelung

Nur für Modell RP2302FC, RP2303FC

Feines Finish wird ermöglicht, weil die Drehzahl selbst unter Belastung konstant gehalten wird.

Drehzahl-Stellrad

Nur für Modell RP2302FC, RP2303FC

⚠ WARNUNG: Benutzen Sie das Drehzahl-Stellrad nicht während des Betriebs. Der Oberfräseinsatz kann aufgrund der Reaktionskraft vom Bediener berührt werden. Dies kann zu Personenschäden führen.

ANMERKUNG: Wird das Werkzeug über längere Zeitspannen im Dauerbetrieb mit niedriger Drehzahl betrieben, führt das zu einer Überlastung des Motors, die eine Funktionsstörung des Werkzeugs zur Folge haben kann.

ANMERKUNG: Das Drehzahl-Stellrad lässt sich nur bis 6 und zurück auf 1 drehen. Wird es gewaltsam über 6 oder 1 hinaus gedreht, kann die Drehzahleinstellungsfunktion unbrauchbar werden.

Die Drehzahl kann durch Drehen des Drehzahl-Stellrads auf eine der Stufen von 1 bis 6 verstellt werden.

► **Abb.6:** 1. Drehzahl-Stellrad

Durch Drehen des Stellrads in Richtung der Stufe 6 wird die Drehzahl erhöht. Durch Drehen des Stellrads in Richtung der Stufe 1 wird die Drehzahl verringert. Damit kann die ideale Drehzahl für eine optimale Materialbearbeitung gewählt werden, d. h. die Drehzahl kann korrekt auf das Material und den Einsatzdurchmesser eingestellt werden.

In der Tabelle finden Sie die Beziehung zwischen den Zahleneinstellungen auf dem Stellrad und der ungefähren Werkzeugdrehzahl.

Nummer	min ⁻¹
1	9.000
2	11.000
3	14.000
4	17.000
5	20.000
6	23.000

Einschalten der Lampen

Nur für Modell RP1802F, RP1803F, RP2302FC, RP2303FC

⚠ VORSICHT: Blicken Sie nicht direkt in die Lampe oder die Lichtquelle.

Betätigen Sie den Auslöseschalter, um das Licht einzuschalten. Die Lampe bleibt erleuchtet, solange der Auslöseschalter gedrückt gehalten wird. Die Lampe erlischt ca. 10 Sekunden nach dem Loslassen des Auslösers.

► **Abb.7:** 1. Lampe

HINWEIS: Wischen Sie Schmutz auf der Lampenlinse mit einem trockenen Tuch ab. Achten Sie sorgfältig darauf, dass Sie die Lampenlinse nicht verkratzen, weil sich sonst die Lichtstärke verringert.

MONTAGE

⚠ VORSICHT: Vergewissern Sie sich vor der Ausführung von Arbeiten am Werkzeug stets, dass es ausgeschaltet und vom Stromnetz getrennt ist.

Montage und Demontage des Oberfräseneinsatzes

⚠ VORSICHT: Installieren Sie den Oberfräseneinsatz sicher. Verwenden Sie stets nur den mit dem Werkzeug gelieferten Schraubenschlüssel. Ein loser oder zu fest angezogener Oberfräseneinsatz kann gefährlich sein.

ANMERKUNG: Ziehen Sie die Spannzangenmutter nicht an, ohne einen Oberfräseneinsatz einzuführen, und setzen Sie auch keine Einsätze mit schmalen Schaft ein, ohne eine Spannzangenhülse zu verwenden. Beides kann zu einem Bruch des Spannzangenkonus führen.

1. Führen Sie den Oberfräseneinsatz bis zum Anschlag in den Spannzangenkonus ein.
 2. Drücken Sie die Spindelarretierung, um die Spindel stationär zu halten, und ziehen Sie die Spannzangenmutter mit dem Schraubenschlüssel fest. Wenn Sie Oberfräseneinsätze mit kleinerem Schaftdurchmesser verwenden, setzen Sie zuerst eine passende Spannzangenhülse in den Spannzangenkonus ein, bevor Sie den Oberfräseneinsatz einführen.
- **Abb.8:** 1. Spindelarretierung 2. Schraubenschlüssel 3. Lösen 4. Anziehen

Zum Abnehmen des Oberfräseneinsatzes wenden Sie das Montageverfahren umgekehrt an.

BETRIEB

⚠ WARNING: Vergewissern Sie sich vor dem Betrieb immer, dass die Anschlagstange durch die Anschlagstangen-Einstellmutter fest gesichert ist. Andernfalls kann sich die Frästiefe während des Betriebs ändern und Verletzungen verursachen.

⚠ VORSICHT: Vergewissern Sie sich vor dem Betrieb stets, dass sich der Fräskorb automatisch bis zur Obergrenze hebt und der Oberfräseneinsatz nicht von der Grundplatte übersteht, wenn der Verriegelungshebel gelöst wird.

⚠ VORSICHT: Benutzen Sie stets beide Griffe, und halten Sie das Werkzeug während des Betriebs an beiden Griffen fest.

⚠ VORSICHT: Vergewissern Sie sich vor dem Betrieb stets, dass der Späneabweiser ordnungsgemäß installiert ist.

► **Abb.9:** 1. Späneabweiser

1. Setzen Sie die Grundplatte auf das zu bearbeitende Werkstück auf, ohne dass der Oberfräseneinsatz mit dem Werkstück in Berührung kommt.
2. Schalten Sie dann das Werkzeug ein, und warten Sie, bis der Oberfräseneinsatz die volle Drehzahl erreicht hat.
3. Senken Sie den Werkzeugkörper ab, und schieben Sie das Werkzeug bei flach aufliegender Grundplatte gleichmäßig über die Werkstückoberfläche vor, bis der Schnitt ausgeführt ist.

► **Abb.10**

Beim Kantenfräsen sollte die Werkstückoberfläche auf der linken Seite des Oberfräseneinsatzes in Vorschubrichtung liegen.

► **Abb.11:** 1. Werkstück 2. Einsatz-Drehrichtung 3. Ansicht von der Oberseite des Werkzeugs 4. Vorschubrichtung

HINWEIS: Zu schnelles Vorschieben des Werkzeugs kann schlechte Schnittqualität oder Beschädigung des Oberfräseneinsatzes oder Motors zur Folge haben. Zu langsames Vorschieben des Werkzeugs kann Verbrennung oder Beschädigung des Schnitts zur Folge haben. Die korrekte Vorschubgeschwindigkeit hängt von der Größe des Oberfräseneinsatzes, der Art des Werkstücks und der Frästiefe ab.

Bevor Sie den Schnitt am tatsächlichen Werkstück ausführen, ist es ratsam, einen Probeschnitt in einem Stück Abfallholz zu machen. Dies gibt Ihnen die Möglichkeit, das genaue Aussehen des Schnitts festzustellen und die Abmessungen zu überprüfen.

HINWEIS: Wenn Sie die Geradföhrung oder die Fräsenführung verwenden, halten Sie die Vorrichtung auf der rechten Seite in Vorschubrichtung. Dies trägt dazu bei, sie bündig mit der Seite des Werkstücks zu halten.

► **Abb.12:** 1. Vorschubrichtung 2. Einsatz-Drehrichtung 3. Werkstück 4. Geradföhrung

Geradführung

Die Geradführung ist effektiv, um gerade Schnitte beim Anfasen oder Rillenfräsen auszuführen.

1. Montieren Sie die Geradführung mit der Klemmschraube (B) am Führungshalter. Führen Sie den Führungshalter in die Löcher der Grundplatte ein, und ziehen Sie die Klemmschraube (A) fest. Um den Abstand zwischen Oberfräseneinsatz und Geradführung einzustellen, lösen Sie die Klemmschraube (B), und drehen Sie die Feineinstellschraube (1,5 mm pro Umdrehung). Ziehen Sie die Klemmschraube (B) am gewünschten Abstand fest, um die Geradführung zu sichern.

► **Abb.13:** 1. Klemmschraube (A) 2. Geradführung 3. Führungshalter 4. Feineinstellschraube 5. Klemmschraube (B)

2. Schieben Sie das Werkzeug beim Fräsen so vor, dass die Geradführung an der Seite des Werkstücks anliegt.

Eine breitere Geradführung der gewünschten Abmessungen kann angefertigt werden, indem die passenden Löcher in der Führung verwendet werden, um zusätzliche Holzstücke festzuschrauben. Wenn Sie einen Oberfräseneinsatz mit großem Durchmesser verwenden, befestigen Sie Holzstücke mit einer Dicke von mehr als 15 mm (5/8") an der Geradführung, um zu verhindern, dass der Oberfräseneinsatz die Geradführung berührt.

► **Abb.14:** 1. Geradführung 2. Holz

A=55 mm (2-3/16")

B=55 mm (2-3/16")

C=15 mm (5/8") oder dicker

Falls der Abstand zwischen der Seite des Werkstücks und der Fräseposition zu breit für die Geradführung ist, oder die Seite des Werkstücks nicht gerade ist, kann die Geradführung nicht benutzt werden. Klemmen Sie in diesem Fall ein gerades Brett am Werkstück fest, und benutzen Sie dieses als Führung gegen die Grundplatte. Schieben Sie das Werkzeug in Pfeilrichtung vor.

► **Abb.15**

Feineinstellung der Geradführung

Sonderzubehör

Führen Sie die zwei Stangen in die äußeren Montageschlitze des Führungshalters ein, und sichern Sie sie durch Festziehen der zwei Klemmschrauben (B). Vergewissern Sie sich, dass die Flügelschraube (A) angezogen ist, führen Sie die zwei Stangen in die Grundplatte ein, und ziehen Sie die Klemmschrauben (A) fest.

► **Abb.16:** 1. Klemmschraube (B) 2. Flügelschraube (A) 3. Klemmschraube (A)

Feineinstellfunktion zur Positionierung der Klinge in Bezug auf die Geradführung

► **Abb.17:** 1. Flügelschraube (A) 2. Rändelschraube (B) 3. Skalenring

1. Lösen Sie die Flügelschraube (A).
2. Drehen Sie die Rändelschraube (B) nach Bedarf, um die Position einzustellen (eine Umdrehung verstellt die Position um 1 mm).
3. Ziehen Sie die Flügelschraube (A) an, bis sie gesichert ist.

Der Skalenring kann getrennt gedreht werden, so dass die Skaleneinheit auf Null (0) ausgerichtet werden kann.

Einstellen der Führungsschuhbreite

Lösen Sie die mit den Kreisen markierten Schrauben, um die Breite der Geradführung zu ändern. Ziehen Sie die Schrauben nach der Änderung der Breite an, bis sie gesichert sind.

Der Änderungsbereich der Führungsschuhbreite beträgt 280 mm bis 350 mm.

► **Abb.18:** 1. Schraube

Bei Einstellung auf die minimale Öffnungsweite

► **Abb.19**

Bei Einstellung auf die maximale Öffnungsweite

► **Abb.20**

Schablonenführung

Sonderzubehör

Die Schablonenführung weist eine Hülse auf, durch die der Oberfräseneinsatz hindurchgeht, so dass die Oberfräse mit Schablonenmustern verwendet werden kann.

► **Abb.21**

1. Ziehen Sie den Sicherungsscheibenhebel, und führen Sie die Schablonenführung ein.

► **Abb.22:** 1. Schablonenführung 2. Sicherungsscheibenhebel

2. Befestigen Sie die Schablone am Werkstück. Setzen Sie das Werkzeug auf die Schablone, und bewegen Sie das Werkzeug so, dass die Schablonenführung entlang der Seitenkante der Schablone gleitet.

► **Abb.23:** 1. Oberfräseneinsatz 2. Grundplatte 3. Grundplatte 4. Schablone 5. Werkstück 6. Schablonenführung

HINWEIS: Das Werkstück wird auf eine geringfügig andere Größe als die Schablone zugeschnitten. Halten Sie einen Abstand (X) zwischen dem Oberfräseneinsatz und der Außenseite der Schablonenführung ein. Der Abstand (X) kann mit der folgenden Gleichung berechnet werden:

Abstand (X) = (Außendurchmesser der Schablonenführung - Oberfräseneinsatz-Durchmesser) / 2

Fräsenführung

Sonderzubehör

Die Fräsenführung ermöglicht bequemes Fräsen und gebogene Schnitte in Furnierhölzern für Möbel und dergleichen. Die Führungsrolle folgt der Kurve und gewährleistet einen sauberen Schnitt.

► **Abb.24:** 1. Fräsenführung

Montieren Sie die Fräsenführung mit der Klemmschraube (D) am Führungshalter. Führen Sie den Führungshalter in die Löcher der Grundplatte ein, und ziehen Sie die Klemmschraube (A) fest. Um den Abstand zwischen Oberfräseinsatz und Fräsenführung einzustellen, lösen Sie die Klemmschraube (D), und drehen Sie die Feineinstellschraube (1,5 mm pro Umdrehung). Um die Führungsrolle anzuheben oder abzusenken, lösen Sie die Klemmschraube (C). Ziehen Sie nach der Einstellung alle Klemmschrauben sicher fest.

► **Abb.25:** 1. Führungshalter 2. Feineinstellschraube 3. Klemmschraube (D) 4. Klemmschraube (C) 5. Führungsrolle 6. Klemmschraube (A)

Schieben Sie das Werkzeug beim Fräsen so vor, dass die Führungsrolle an der Seite des Werkstücks anliegt.

► **Abb.26:** 1. Oberfräseinsatz 2. Führungsrolle 3. Werkstück

Absaugstutzensätze

Benutzen Sie den Absaugstutzen für Staubabsaugung.

1. Befestigen Sie den Absaugstutzen mit der Rändelschraube so an der Grundplatte, dass der Vorsprung des Absaugstutzens in der Aussparung der Grundplatte sitzt.

► **Abb.27:** 1. Absaugstutzen 2. Rändelschraube

2. Schließen Sie ein Sauggerät an den Absaugstutzen an.

► **Abb.28**

Verwendung der Schraube M6 x 135 zum Einstellen der Frästiefe

Wenn Sie das Werkzeug mit einem im Fachhandel erhältlichen Oberfräsetisch verwenden, ermöglicht diese Schraube einem Bediener, einen kleinen Frästiefen-Einstellbetrag von der Oberseite des Tisches zu erhalten.

Montieren der Schraube mit Unterlegscheibe am Werkzeug

Führen Sie die Schraube mit Unterlegscheibe durch ein Schraubenloch an der Grundplatte des Werkzeugs ein, und schrauben Sie dann den Gewindeteil der Motorhalterung des Werkzeugs ein. Tragen Sie dabei etwas Fett oder Schmieröl auf die Innenseite des Schraubenlochs an der Grundplatte des Werkzeugs und auf den Gewindeteil der Motorhalterung auf.

► **Abb.29:** 1. Unterlegscheibe 6 2. Schraube M6 x 135

► **Abb.30:** 1. Schraube M6 x 135 in einem Schraubenloch

► **Abb.31:** 1. Schraube M6 x 135 2. Gewindeteil der Motorhalterung

Einstellen der Frästiefe

1. Sie können einen kleinen Frästiefen-Einstellbetrag erhalten, indem Sie diese Schraube mit einem Schraubendreher von der Oberseite des Tisches drehen. (1,0 mm pro volle Umdrehung)

2. Durch Drehen der Schraube im Uhrzeigersinn wird die Frästiefe größer, und durch Drehen der Schraube entgegen dem Uhrzeigersinn wird die Frästiefe kleiner.

► **Abb.32:** 1. Schraubendreher

WARTUNG

⚠ VORSICHT: Vergewissern Sie sich vor der Durchführung von Überprüfungen oder Wartungsarbeiten des Werkzeugs stets, dass es ausgeschaltet und vom Stromnetz getrennt ist.

ANMERKUNG: Verwenden Sie auf keinen Fall Benzin, Waschbenzin, Verdünnern, Alkohol oder dergleichen. Solche Mittel können Verformung, Verformung oder Rissbildung verursachen.

Um die SICHERHEIT und ZUVERLÄSSIGKEIT dieses Produkts zu gewährleisten, sollten Reparaturen und andere Wartungs- oder Einstellarbeiten nur von Makita-Vertragswerkstätten oder Makita-Kundendienstzentren unter ausschließlicher Verwendung von Makita-Originalersatzteilen ausgeführt werden.

Auswechseln der Kohlebürsten

► **Abb.33:** 1. Verschleißgrenze

Überprüfen Sie die Kohlebürsten regelmäßig. Wechseln Sie sie aus, wenn sie bis zur Verschleißgrenze abgenutzt sind. Halten Sie die Kohlebürsten stets sauber, damit sie ungehindert in den Haltern gleiten können. Beide Kohlebürsten sollten gleichzeitig ausgewechselt werden. Verwenden Sie nur identische Kohlebürsten.

1. Drehen Sie die Bürstenhalterkappen mit einem Schraubendreher heraus.

2. Nehmen Sie die abgenutzten Kohlebürsten heraus, setzen Sie die neuen ein, und drehen Sie dann die Bürstenhalterkappen wieder ein.

► **Abb.34:** 1. Bürstenhalterkappe

Nur für Modell RP1803, RP1803F, RP2303FC

Schalten Sie das Werkzeug nach dem Auswechseln der Bürsten ein, um die Bürsten bei im Leerlauf laufendem Werkzeug etwa 10 Minuten lang einzuschleifen. Überprüfen Sie dann das Werkzeug im Betrieb und die Funktion der elektrischen Bremse, wenn Sie den Auslöseschalter loslassen.

Falls die elektrische Bremse nicht einwandfrei funktioniert, lassen Sie sie von Ihrer Makita-Kundendienststelle reparieren.

SONDERZUBEHÖR

⚠ VORSICHT: Die folgenden Zubehörteile oder Vorrichtungen werden für den Einsatz mit dem in dieser Anleitung beschriebenen Makita-Werkzeug empfohlen. Die Verwendung anderer Zubehörteile oder Vorrichtungen kann eine Verletzungsgefahr darstellen. Verwenden Sie Zubehörteile oder Vorrichtungen nur für ihren vorgesehenen Zweck.

Wenn Sie weitere Einzelheiten bezüglich dieser Zubehörteile benötigen, wenden Sie sich bitte an Ihre Makita-Kundendienststelle.

- Gerad- und Nutenfräser
- Kantenfräser
- Laminatfräser
- Geradföhrung
- Fräsenföhrung
- Föhrungshalter
- Schablonenföhrungen
- Schablonenföhrungsadapter
- Sicherungsmutter
- Spannzangenkonus
- Spannzangenhölse
- Schraubenschlüssel
- Absaugstutzensatz

HINWEIS: Manche Teile in der Liste können als Standardzubehör im Werkzeugsatz enthalten sein. Sie können von Land zu Land unterschiedlich sein.

Oberfräseneinsätze

Geradfräser

► Abb.35

Einheit: mm

D	A	L1	L2
6	20	50	15
1/4"			
12	12	60	30
1/2"			
12	10	60	25
1/2"			
8	8	60	25
6			
6	8	50	18
1/4"			
6	6	50	18
1/4"			

„U“-Nutenfräser

► Abb.36

Einheit: mm

D	A	L1	L2	R
6	6	50	18	3

„V“-Nutenfräser

► Abb.37

Einheit: mm

D	A	L1	L2	θ
1/4"	20	50	15	90°

Bohrspitzen-Bündigfräser

► Abb.38

Einheit: mm

D	A	L1	L2	L3
12	12	60	20	35
8	8	60	20	35
6	6	60	18	28

Bohrspitzen-Doppelbündigfräser

► Abb.39

Einheit: mm

D	A	L1	L2	L3	L4
6	6	70	40	12	14

Federfräser

► Abb.40

Einheit: mm

D	A1	A2	L1	L2	L3
12	38	27	61	4	20

Eckenrundungsfräser

► Abb.41

Einheit: mm

D	A1	A2	L1	L2	L3	R
6	25	9	48	13	5	8
6	20	8	45	10	4	4

Fasenfräser

► Abb.42

Einheit: mm

D	A	L1	L2	L3	θ
6	23	46	11	6	30°
6	20	50	13	5	45°
6	20	49	14	2	60°

Hohlkehlen-Abrundfräser

► Abb.43

Einheit: mm

D	A	L1	L2	R
6	20	43	8	4
6	25	48	13	8

Kugellager-Bündigfräser

► Abb.44

Einheit: mm

D	A	L1	L2
6	10	50	20
1/4"			

Kugellager-Eckenrundungsfräser

► Abb.45

Einheit: mm

D	A1	A2	L1	L2	L3	R
6	15	8	37	7	3,5	3
6	21	8	40	10	3,5	6
1/4"	21	8	40	10	3,5	6

Kugellager-Fasenfräser

► Abb.46

Einheit: mm

D	A1	A2	L1	L2	θ
6	26	8	42	12	45°
1/4"					
6	20	8	41	11	60°

Kugellager-Abrundfräser

► Abb.47

Einheit: mm

D	A1	A2	A3	L1	L2	L3	R
6	20	12	8	40	10	5,5	4
6	26	12	8	42	12	4,5	7

Kugellager-Hohlkehlen-Abrundfräser

► Abb.48

Einheit: mm

D	A1	A2	A3	A4	L1	L2	L3	R
6	20	18	12	8	40	10	5,5	3
6	26	22	12	8	42	12	5	5

Kugellager-Kamies-Profilfräser

► Abb.49

Einheit: mm

D	A1	A2	L1	L2	L3	R1	R2
6	20	8	40	10	4,5	2,5	4,5
6	26	8	42	12	4,5	3	6

DATI TECNICI

Modello:	RP1802	RP1802F	RP1803	RP1803F	RP2302FC	RP2303FC
Capacità mandrino a pinza	12 mm o 1/2"					
Capacità di tuffo	Da 0 a 70 mm					
Velocità a vuoto	23.000 min ⁻¹		22.000 min ⁻¹		Da 9.000 a 23.000 min ⁻¹	
Altezza complessiva	312 mm				327 mm	
Peso netto	6,2 kg					
Classe di sicurezza	□/II					
Lampadina	-	✓	-		✓	
Selettore di regolazione della velocità	-				✓	
Freno elettrico	-		✓		-	✓

- In conseguenza del nostro programma di ricerca e sviluppo continui, i dati tecnici nel presente manuale sono soggetti a modifiche senza preavviso.
- I dati tecnici possono variare da nazione a nazione.
- Peso in base alla procedura EPTA 01/2014

Utilizzo previsto

Questo utensile è destinato alla rifilatura a raso e alla creazione di profili di legno, plastica e materiali analoghi.

Alimentazione

L'utensile deve essere collegato a una fonte di alimentazione con la stessa tensione indicata sulla targhetta del nome, e può funzionare solo a corrente alternata monofase. L'utensile è dotato di doppio isolamento, per cui può essere utilizzato con prese elettriche sprovviste di messa a terra.

Rumore

Livello tipico di rumore pesato A determinato in base allo standard EN62841-2-17:

Modello RP1802

Livello di pressione sonora (L_{pA}): 85 dB (A)
 Livello di potenza sonora (L_{WA}): 96 dB (A)
 Incertezza (K): 3 dB (A)

Modello RP1802F

Livello di pressione sonora (L_{pA}): 85 dB (A)
 Livello di potenza sonora (L_{WA}): 96 dB (A)
 Incertezza (K): 3 dB (A)

Modello RP1803

Livello di pressione sonora (L_{pA}): 85 dB (A)
 Livello di potenza sonora (L_{WA}): 96 dB (A)
 Incertezza (K): 3 dB (A)

Modello RP1803F

Livello di pressione sonora (L_{pA}): 85 dB (A)
 Livello di potenza sonora (L_{WA}): 96 dB (A)
 Incertezza (K): 3 dB (A)

Modello RP2302FC

Livello di pressione sonora (L_{pA}): 88 dB (A)
 Livello di potenza sonora (L_{WA}): 99 dB (A)
 Incertezza (K): 3 dB (A)

Modello RP2303FC

Livello di pressione sonora (L_{pA}): 88 dB (A)
 Livello di potenza sonora (L_{WA}): 99 dB (A)
 Incertezza (K): 3 dB (A)

NOTA: Il valore o i valori dichiarati delle emissioni di rumori sono stati misurati in conformità a un metodo standard di verifica, e possono essere utilizzati per confrontare un utensile con un altro.

NOTA: Il valore o i valori dichiarati delle emissioni di rumori possono venire utilizzati anche per una valutazione preliminare dell'esposizione.

AVVERTIMENTO: Indossare protezioni per le orecchie.

AVVERTIMENTO: L'emissione di rumori durante l'utilizzo effettivo dell'utensile elettrico può variare rispetto al valore o ai valori dichiarati, a seconda dei modi in cui viene utilizzato l'utensile e specialmente a seconda di che tipo di pezzo venga lavorato.

AVVERTIMENTO: Accertarsi di identificare misure di sicurezza per la protezione dell'operatore che siano basate su una stima dell'esposizione nelle condizioni effettive di utilizzo (tenendo conto di tutte le parti del ciclo operativo, ad esempio del numero di spegnimenti dell'utensile e di quando giri a vuoto, oltre al tempo di attivazione).

Vibrazioni

Valore totale delle vibrazioni (somma vettoriale triassiale) determinato in base allo standard EN62841-2-17:

Modello RP1802

Modalità di lavoro: taglio di scanalature in MDF
 Emissione di vibrazioni (a_{rh}): 5,1 m/s²
 Incertezza (K): 1,5 m/s²

Modello RP1802F

Modalità di lavoro: taglio di scanalature in MDF
 Emissione di vibrazioni (a_{rh}): 5,1 m/s²
 Incertezza (K): 1,5 m/s²

Modello RP1803

Modalità di lavoro: taglio di scanalature in MDF

Emissione di vibrazioni (a_h): 5,1 m/s²

Incertezza (K): 1,5 m/s²

Modello RP1803F

Modalità di lavoro: taglio di scanalature in MDF

Emissione di vibrazioni (a_h): 5,1 m/s²

Incertezza (K): 1,5 m/s²

Modello RP2302FC

Modalità di lavoro: taglio di scanalature in MDF

Emissione di vibrazioni (a_h): 4,2 m/s²

Incertezza (K): 1,5 m/s²

Modello RP2303FC

Modalità di lavoro: taglio di scanalature in MDF

Emissione di vibrazioni (a_h): 4,2 m/s²

Incertezza (K): 1,5 m/s²

NOTA: Il valore o i valori complessivi delle vibrazioni dichiarati sono stati misurati in conformità a un metodo standard di verifica, e possono essere utilizzati per confrontare un utensile con un altro.

NOTA: Il valore o i valori complessivi delle vibrazioni dichiarati possono venire utilizzati anche per una valutazione preliminare dell'esposizione.

⚠AVVERTIMENTO: L'emissione delle vibrazioni durante l'utilizzo effettivo dell'utensile elettrico può variare rispetto al valore o ai valori dichiarati, a seconda dei modi in cui viene utilizzato l'utensile, specialmente a seconda di che tipo di pezzo venga lavorato.

⚠AVVERTIMENTO: Accertarsi di identificare misure di sicurezza per la protezione dell'operatore che siano basate su una stima dell'esposizione nelle condizioni effettive di utilizzo (tenendo conto di tutte le parti del ciclo operativo, ad esempio del numero di spegnimenti dell'utensile e di quando giri a vuoto, oltre al tempo di attivazione).

Dichiarazione di conformità CE

Solo per i paesi europei

La dichiarazione di conformità CE è inclusa nell'Allegato A al presente manuale di istruzioni.

AVVERTENZE DI SICUREZZA

Avvertenze generali relative alla sicurezza dell'utensile elettrico

⚠AVVERTIMENTO: Leggere tutte le avvertenze di sicurezza, le istruzioni, le illustrazioni e i dati tecnici forniti con il presente utensile elettrico. La mancata osservanza di tutte le istruzioni elencate di seguito potrebbe risultare in scosse elettriche, incendi e/o gravi lesioni personali.

Conservare tutte le avvertenze e le istruzioni come riferimento futuro.

Il termine "utensile elettrico" nelle avvertenze si riferisce sia all'utensile elettrico (cablato) nel funzionamento alimentato da rete elettrica che all'utensile elettrico (a batteria) nel funzionamento alimentato a batteria.

Avvertenze di sicurezza relative alla fresatrice verticale

1. **Mantenere l'utensile elettrico solo per le sue superfici di impugnatura isolate, poiché la lama potrebbe entrare in contatto con il proprio cavo di alimentazione.** Il taglio di un filo elettrico sotto tensione potrebbe mettere sotto tensione le parti metalliche esposte dell'utensile elettrico e dare una scossa elettrica all'operatore.
2. **Utilizzare delle morse o altri sistemi pratici per fissare e sostenere il pezzo in lavorazione su un piano stabile.** Un pezzo in lavorazione mantenuto in mano o contro il proprio corpo resta instabile, e può portare a una perdita di controllo.
3. **Il gambo della fresa da taglio deve corrispondere al mandrino a pinza designato.**
4. **Utilizzare esclusivamente una fresa che abbia una velocità nominale almeno equivalente alla velocità massima indicata sull'utensile.**
5. **Indossare protezioni per l'udito durante periodi prolungati di utilizzo.**
6. **Maneggiare le frese con estrema cautela.**
7. **Prima dell'uso, controllare con attenzione l'eventuale presenza nella fresa di spaccature o danni.** Sostituire immediatamente una fresa spaccata o danneggiata.
8. **Evitare di tagliare chiodi.** Prima dell'uso, ispezionare il pezzo in lavorazione e rimuovere tutti i chiodi.
9. **Mantenere saldamente l'utensile con entrambe le mani.**
10. **Tenere le mani lontane dalle parti rotanti.**
11. **Prima di attivare l'interruttore, accertarsi che la fresa non sia in contatto con il pezzo in lavorazione.**
12. **Prima di utilizzare l'utensile su un pezzo in lavorazione effettivo, lasciarlo funzionare a vuoto per un po' di tempo.** Verificare l'eventuale presenza di vibrazioni od oscillazioni che potrebbero indicare una fresa installata in modo errato.
13. **Fare attenzione alla direzione di rotazione e di avanzamento della fresa.**
14. **Non lasciare l'utensile mentre è in funzione.** Far funzionare l'utensile solo tenendo in mano.
15. **Prima di rimuovere l'utensile dal pezzo in lavorazione, è necessario sempre spegnerlo e attendere che la fresa si sia arrestata completamente.**
16. **Non toccare la fresa subito dopo l'uso;** la sua temperatura potrebbe essere estremamente elevata e potrebbe causare ustioni.
17. **Non macchiare per disattenzione la base dell'utensile con solvente, benzina, olio o prodotti simili.** Tali prodotti possono causare spaccature nella base dell'utensile.
18. **Alcuni materiali contengono sostanze chimiche potenzialmente tossiche.** Fare attenzione a evitare l'inalazione delle polveri e il contatto con la pelle. Attenersi ai dati sulla sicurezza del fornitore del materiale.
19. **Utilizzare sempre la mascherina antipolvere o il respiratore corretti per il materiale e l'applicazione con cui si intende lavorare.**

20. **Posizionare l'utensile su un'area stabile.** In caso contrario, si potrebbe verificare un incidente dovuto alla caduta che potrebbe causare lesioni personali.
21. **Tenere il cavo elettrico lontano dai piedi o da altri oggetti.** In caso contrario, un cavo elettrico impigliato potrebbe causare un incidente dovuto alla caduta e causare lesioni personali.

CONSERVARE LE PRESENTI ISTRUZIONI.

⚠AVVERTIMENTO: NON lasciare che comodità o la familiarità d'utilizzo con il prodotto (acquisita con l'uso ripetuto) sostituisca la stretta osservanza delle norme di sicurezza per il prodotto in questione. L'USO IMPROPRIO o la mancata osservanza delle norme di sicurezza indicate nel presente manuale di istruzioni potrebbero causare gravi lesioni personali.

DESCRIZIONE DELLE FUNZIONI

⚠ATTENZIONE: Accertarsi sempre che l'utensile sia spento e scollegato dall'alimentazione prima di regolare o controllare le sue funzioni.

Regolazione della profondità di taglio

► **Fig.1:** 1. Leva di blocco 2. Bullone esagonale di regolazione 3. Gruppo del fermo 4. Manopola di regolazione 5. Indicatore di profondità 6. Asta del fermo 7. Dado di impostazione dell'asta del fermo 8. Pulsante di avanzamento rapido

1. Posizionare l'utensile su una superficie piana. Allentare la leva di blocco e abbassare il corpo dell'utensile fino a quando la fresa sfiora appena la superficie piana. Serrare la leva di blocco per bloccare il corpo dell'utensile.
2. Ruotare il dado di impostazione dell'asta del fermo in senso antiorario. Abbassare l'asta del fermo fino a quando entra in contatto con il bullone esagonale di regolazione. Allineare l'indicatore di profondità con la graduazione "0". La profondità di taglio viene indicata sulla scala dall'indicatore di profondità.
3. Tenendo premuto il pulsante di avanzamento rapido, sollevare l'asta del fermo fino a ottenere la profondità di taglio desiderata. È possibile ottenere minuscole regolazioni della profondità ruotando la manopola di regolazione (1 mm per giro).
4. Ruotando il dado di impostazione dell'asta del fermo in senso orario, è possibile serrare saldamente l'asta del fermo.
5. Ora, è possibile ottenere la profondità di taglio prestabilita allentando la leva di blocco e quindi abbassando il corpo dell'utensile fino a quando l'asta del fermo entra in contatto con il bullone esagonale di regolazione del gruppo del fermo.

Dado in nylon

⚠ATTENZIONE: Non abbassare eccessivamente il dado in nylon. In caso contrario, la fresa sporge pericolosamente.

È possibile regolare il limite superiore del corpo dell'utensile ruotando il dado in nylon.

► **Fig.2:** 1. Dado in nylon

Gruppo del fermo

⚠ATTENZIONE: Poiché un taglio eccessivo potrebbe causare il sovraccarico del motore o difficoltà nel controllare l'utensile, la profondità di taglio non deve essere superiore a 15 mm per passaggio, quando si intende tagliare scanalature con una fresa di 8 mm di diametro.

⚠ATTENZIONE: Quando si intende tagliare scanalature con una fresa di 20 mm di diametro, la profondità di taglio non deve essere superiore a 5 mm per passaggio.

⚠ATTENZIONE: Per operazioni di scanalatura a grande profondità, effettuare due o tre passaggi con impostazioni progressivamente più profonde della fresa.

Poiché il gruppo del fermo dispone di tre bulloni esagonali di regolazione che si alzano o si abbassano di 0,8 mm per giro, è possibile ottenere facilmente tre diverse profondità di taglio senza dover regolare di nuovo l'asta del fermo.

► **Fig.3:** 1. Asta del fermo 2. Bullone esagonale di regolazione 3. Gruppo del fermo

Regolare il bullone esagonale di regolazione più basso per ottenere la maggiore profondità di taglio, attenendosi al metodo della "Regolazione della profondità di taglio".

Regolare i due bulloni esagonali di regolazione restanti per ottenere profondità di taglio più superficiali. Le differenze di altezza di questi bulloni esagonali di regolazione sono pari alle differenze nelle profondità di taglio. Per regolare i bulloni esagonali di regolazione, ruotarli con un cacciavite o una chiave. Il gruppo del fermo è comodo anche per effettuare tre passaggi impostando profondità progressivamente maggiori della fresa quando si intende tagliare scanalature profonde.

Funzionamento dell'interruttore

⚠ATTENZIONE: Prima di collegare l'utensile all'alimentazione elettrica, verificare sempre che l'interruttore a grilletto funzioni correttamente e torni sulla posizione "OFF" quando viene rilasciato.

⚠ATTENZIONE: Prima di attivare l'interruttore, accertarsi che il blocco albero sia sbloccato.

Per evitare di premere accidentalmente l'interruttore a grilletto, è fornito un pulsante di blocco.

► **Fig.4:** 1. Pulsante di blocco 2. Interruttore a grilletto

Per avviare l'utensile, premere il pulsante di blocco, quindi premere l'interruttore a grilletto. Per arrestarlo, rilasciare l'interruttore a grilletto.

Per il funzionamento continuo, premere più a fondo il pulsante di blocco mentre l'interruttore a grilletto viene tenuto premuto.

Per arrestare l'utensile, premere l'interruttore a grilletto in modo che il pulsante di blocco ritorni in posizione automaticamente. Quindi, rilasciare l'interruttore a grilletto.

Dopo aver rilasciato l'interruttore a grilletto, si attiva la funzione di sblocco per evitare che l'interruttore a grilletto venga premuto.

ATTENZIONE: Quando si intende spegnere l'utensile, mantenerlo saldamente per controllarne la reazione.

Funzione elettronica

L'utensile è dotato di funzioni elettroniche, per un facile utilizzo.

Indicatore luminoso

► **Fig.5:** 1. Indicatore luminoso

L'indicatore luminoso si illumina in verde quando l'utensile è collegato alla presa elettrica. Qualora l'indicatore luminoso non si illumini, il cavo di alimentazione o il dispositivo di controllo potrebbero essere guasti. Qualora l'indicatore luminoso sia illuminato ma l'utensile non si avvia anche se viene acceso, le spazzole in carbonio potrebbero essere usurate, oppure il dispositivo di controllo, il motore o l'interruttore di accensione/spengimento potrebbero essere guasti.

Sicura contro il riavvio involontario

L'utensile non si avvia con l'interruttore a grilletto premuto, anche quando l'utensile viene collegato alla presa elettrica.

In questa situazione, l'indicatore luminoso lampeggia in rosso e mostra che si è attivata la sicura contro il riavvio involontario.

Per disattivare la sicura contro il riavvio involontario, rilasciare l'interruttore a grilletto.

Funzione di avvio morbido

La funzione di avvio morbido riduce al minimo l'impatto all'avvio, e fa avviare l'utensile in modo fluido.

Controllo costante della velocità

Solo per i modelli RP2302FC, RP2303FC

Possibilità di ottenere una finitura precisa, poiché la velocità di rotazione viene mantenuta costante anche in condizione di carico.

Selettore di regolazione della velocità

Solo per i modelli RP2302FC, RP2303FC

AVVERTIMENTO: Non utilizzare il selettore di regolazione della velocità durante il funzionamento. È possibile che la fresa venga toccata dall'operatore a causa della forza di reazione. Ciò potrebbe causare lesioni personali.

AVVISO: Qualora l'utensile venga fatto funzionare continuativamente a basse velocità per un periodo di tempo prolungato, il motore si sovraccarica, causando il malfunzionamento dell'utensile.

AVVISO: È possibile ruotare il selettore di regolazione della velocità solo fino a 6 e indietro fino a 1. Non forzarlo oltre 6 o 1; in caso contrario, la funzione di regolazione della velocità potrebbe non operare più.

È possibile modificare la velocità dell'utensile ruotando il selettore di regolazione della velocità su un'impostazione numerica specifica da 1 a 6.

► **Fig.6:** 1. Selettore di regolazione della velocità

Si ottiene una maggiore velocità ruotando il selettore in direzione del numero 6. Si ottiene una minore velocità ruotandolo in direzione del numero 1.

Ciò consente la selezione della velocità ideale per una lavorazione ottimale del materiale, in quanto è possibile regolare correttamente la velocità per adattarla al materiale e al diametro della fresa.

Per il rapporto tra le impostazioni numeriche sul selettore e la velocità approssimativa dell'utensile, fare riferimento alla tabella.

Numero	min ¹
1	9.000
2	11.000
3	14.000
4	17.000
5	20.000
6	23.000

Accensione delle lampade

Solo per i modelli RP1802F, RP1803F, RP2302FC, RP2303FC

ATTENZIONE: Non osservare né guardare direttamente la fonte di luce.

Per accendere la luce, premere l'interruttore a grilletto. La lampadina resta accesa fintanto che l'interruttore a grilletto viene tenuto premuto. La lampadina si spegne circa 10 secondi dopo aver rilasciato il grilletto.

► **Fig.7:** 1. Lampadina

NOTA: Per pulire la sporcizia dalla lente della lampadina, utilizzare un panno asciutto. Fare attenzione a non graffiare la lente della lampadina, altrimenti si potrebbe ridurre l'illuminazione.

MONTAGGIO

⚠ATTENZIONE: Accertarsi sempre che l'utensile sia spento e scollegato dall'alimentazione elettrica, prima di effettuare qualsiasi intervento su di esso.

Installazione o rimozione della fresa

⚠ATTENZIONE: Installare saldamente la fresa. Utilizzare esclusivamente la chiave in dotazione con l'utensile. Una fresa allentata o serrata eccessivamente può essere pericolosa.

AVVISO: Non serrare il dado portapinza senza aver inserito una fresa, né installare punte con gambo piccolo senza utilizzare una bussola di riduzione per pinza. Entrambe queste operazioni possono portare alla rottura della pinza.

1. Inserire la fresa fino in fondo nella pinza.
 2. Premere il blocco albero per tenere fermo l'albero, quindi utilizzare la chiave per serrare saldamente il dado portapinza. Quando si intende utilizzare frese con diametro del gambo più piccolo, inserire innanzitutto la bussola di riduzione per pinza appropriata nella pinza, quindi installare la fresa.
- **Fig.8:** 1. Blocco albero 2. Chiave 3. Per allentare 4. Per serrare

Per rimuovere la fresa, seguire la procedura di installazione al contrario.

FUNZIONAMENTO

⚠AVVERTIMENTO: Prima dell'uso, accertarsi sempre che l'asta del fermo sia fissata saldamente dal dado di impostazione dell'asta del fermo. In caso contrario, la profondità di taglio potrebbe cambiare durante l'uso e causare lesioni personali.

⚠ATTENZIONE: Prima dell'uso, accertarsi sempre che il corpo dell'utensile si sollevi automaticamente fino al limite superiore e che la fresa non sporga dalla base dell'utensile quando si allenta la leva di blocco.

⚠ATTENZIONE: Utilizzare sempre entrambe le impugnature e mantenere saldamente l'utensile mediante entrambe le impugnature durante l'uso.

⚠ATTENZIONE: Prima dell'uso, accertarsi sempre che il paraschegge sia installato correttamente.

► **Fig.9:** 1. Paraschegge

1. Sistemare la base sul pezzo in lavorazione da tagliare, evitando che la fresa entri in contatto con il pezzo.
2. Accendere l'utensile e attendere che la fresa raggiunga la piena velocità.

3. Abbassare il corpo dell'utensile e spostare quest'ultimo in avanti sulla superficie del pezzo in lavorazione, mantenendo la base a filo e avanzando in modo uniforme fino al completamento del taglio.

► **Fig.10**

Quando si intende tagliare bordi, la superficie del pezzo in lavorazione deve trovarsi sul lato sinistro della fresa nella direzione di avanzamento.

► **Fig.11:** 1. Pezzo in lavorazione 2. Direzione di rotazione della fresa 3. Vista dall'alto dell'utensile 4. Direzione di avanzamento

NOTA: Qualora si faccia avanzare l'utensile troppo velocemente, si potrebbe causare una qualità scadente del taglio, oppure danneggiare la fresa o il motore. Qualora si faccia avanzare l'utensile troppo lentamente, si potrebbe bruciare e rovinare il taglio. La velocità di avanzamento corretto dipende dalle dimensioni della fresa, dal tipo di pezzo in lavorazione e dalla profondità di taglio.

Prima di iniziare il taglio sul pezzo in lavorazione effettivo, è consigliabile effettuare un taglio di prova su un pezzo di legno di scarto. Questa operazione consente di mostrare esattamente l'aspetto che avrà il taglio, nonché di controllare le dimensioni.

NOTA: Quando si intende utilizzare la guida di allineamento o la guida di rifilatura, accertarsi di installarla sul lato destro nella direzione di avanzamento. Questo aiuta a mantenerla a filo con il lato del pezzo in lavorazione.

► **Fig.12:** 1. Direzione di avanzamento 2. Direzione di rotazione della fresa 3. Pezzo in lavorazione 4. Guida di allineamento

Guida di allineamento

La guida di allineamento può essere utilizzata in modo efficace per ottenere tagli diritti durante la smussatura o la scanalatura.

1. Installare la guida di allineamento nel supporto della guida utilizzando la vite di fissaggio (B). Inserire il supporto della guida nei fori presenti nella base dell'utensile e serrare la vite di fissaggio (A). Per regolare la distanza tra la fresa e la guida di allineamento, allentare la vite di fissaggio (B) e ruotare la vite di regolazione fine (1,5 mm per giro). Alla distanza desiderata, serrare la vite di fissaggio (B) per fissare la guida di allineamento in sede.

► **Fig.13:** 1. Vite di fissaggio (A) 2. Guida di allineamento 3. Supporto della guida 4. Vite di regolazione fine 5. Vite di fissaggio (B)

2. Durante il taglio, spostare l'utensile con la guida di allineamento a filo con il lato del pezzo in lavorazione.

È possibile realizzare una guida di allineamento più larga con le dimensioni desiderate utilizzando gli appositi fori nella guida per avvitarsi pezzi di legno aggiuntivi. Quando si intende utilizzare una fresa di ampio diametro, applicare alla guida di allineamento dei pezzi di legno con uno spessore superiore a 15 mm (5/8") per evitare che la fresa colpisca la guida di allineamento.

► **Fig.14:** 1. Guida di allineamento 2. Legno

A=55 mm (2-3/16")

B=55 mm (2-3/16")

C=15 mm (5/8") o più spesso

Qualora la distanza tra il fianco del pezzo in lavorazione e la posizione di taglio sia troppo ampia per la guida di allineamento, o qualora il fianco del pezzo in lavorazione non sia diritto, non è possibile utilizzare la guida di allineamento. In questo caso, fissare saldamente con una morsa una tavola dritta sul pezzo in lavorazione e utilizzarla come guida contro la base. Fare avanzare l'utensile nella direzione indicata dalla freccia.

► Fig.15

Guida con regolazione micrometrica

Accessorio opzionale

Inserire le due aste negli alloggiamenti di montaggio esterni del supporto della guida, quindi fissarle serrando le due viti di fissaggio (B). Accertarsi che la vite ad aletta (A) sia completamente serrata, inserire le due aste nella base, quindi serrare le viti di fissaggio (A).

► Fig.16: 1. Vite di fissaggio (B) 2. Vite ad aletta (A) 3. Vite di fissaggio (A)

Funzione di regolazione micrometrica per il posizionamento della lama in rapporto alla guida di allineamento

► Fig.17: 1. Vite ad aletta (A) 2. Vite a testa zigrinata (B) 3. Anello della scala

1. Allentare la vite ad aletta (A).
2. Ruotare la vite a testa zigrinata (B) per regolare la posizione (un giro regola la posizione di 1 mm), in base alle esigenze.
3. Serrare la vite ad aletta (A) fino a quando è fissata.

È possibile ruotare separatamente l'anello della scala, in modo da poter allineare l'unità della scala allo zero (0).

Regolazione della larghezza dei pattini della guida

Allentare le viti contrassegnate dai cerchi per variare la larghezza della guida di allineamento. Dopo aver variato la larghezza, serrare le viti fino a quando sono fissate.

L'intervallo di variazione della larghezza dei pattini della guida è compreso tra 280 mm e 350 mm.

► Fig.18: 1. Vite

Quando è impostata la larghezza minima di apertura
► Fig.19

Quando è impostata la larghezza massima di apertura
► Fig.20

Guida per sagome

Accessorio opzionale

La guida per sagome è dotata di un manicotto attraverso il quale passa la fresa, per consentire l'utilizzo della fresatrice verticale con motivi su sagome.

► Fig.21

1. Tirare la leva della piastra di bloccaggio e inserire la guida per sagome.

► Fig.22: 1. Guida per sagome 2. Leva della piastra di bloccaggio

2. Fissare la sagoma al pezzo in lavorazione. Posizionare l'utensile sulla sagoma e spostarlo insieme alla guida per sagome, scivolando lungo il fianco della sagoma.

► Fig.23: 1. Fresa 2. Base 3. Piastra di base 4. Sagoma 5. Pezzo in lavorazione 6. Guida per sagome

NOTA: Il pezzo in lavorazione viene tagliato con una dimensione leggermente diversa rispetto alla sagoma. Considerare una distanza (X) tra la fresa e la parte esterna della guida per sagome. La distanza (X) può venire calcolata utilizzando l'equazione seguente:

Distanza (X) = (diametro esterno della guida per sagome - diametro della fresa)/2

Guida di rifilatura

Accessorio opzionale

Con la guida di rifilatura, è possibile realizzare facilmente rifilature, tagli curvi in impiallaccature per mobili e simili. Il rullo della guida segue la curva e assicura un taglio preciso.

► Fig.24: 1. Guida di rifilatura

Installare la guida di rifilatura sul supporto della guida utilizzando la vite di fissaggio (D). Inserire il supporto della guida nei fori presenti nella base dell'utensile e serrare la vite di fissaggio (A). Per regolare la distanza tra la fresa e la guida di rifilatura, allentare la vite di fissaggio (D) e ruotare la vite di regolazione fine (1,5 mm per giro). Quando si intende regolare il rullo della guida verso l'alto o verso il basso, allentare la vite di fissaggio (C). Dopo la regolazione, serrare saldamente tutte le viti di fissaggio.

► Fig.25: 1. Supporto della guida 2. Vite di regolazione fine 3. Vite di fissaggio (D) 4. Vite di fissaggio (C) 5. Rullo della guida 6. Vite di fissaggio (A)

Durante il taglio, spostare l'utensile con il rullo della guida che segue il fianco del pezzo in lavorazione.

► Fig.26: 1. Fresa 2. Rullo della guida 3. Pezzo in lavorazione

Kit di bocchette per le polveri

Per l'estrazione delle polveri, utilizzare la bocchetta per le polveri.

1. Installare la bocchetta per le polveri sulla base dell'utensile utilizzando la vite a testa zigrinata, in modo che la parte sporgente sulla bocchetta per le polveri si inserisca nella tacca presente sulla base dell'utensile.

► **Fig.27:** 1. Bocchetta per le polveri 2. Vite a testa zigrinata

2. Collegare un aspirapolvere alla bocchetta per le polveri.

► **Fig.28**

Come utilizzare la vite M6 x 135 per regolare la profondità di taglio

Quando si utilizza l'utensile con un banco per fresatrice verticale disponibile in commercio, l'uso di questa vite consente a un operatore di ottenere una regolazione di piccola entità della profondità di taglio dal lato superiore del tavolo.

Installazione della vite con la rondella sull'utensile

Inserire la vite con la rondella attraverso un foro per vite nella base dell'utensile, quindi avvitare nella parte filettata della staffa del motore dell'utensile. A questo punto, applicare del grasso, oppure olio lubrificante, all'interno del foro per vite nella base dell'utensile e nella parte filettata della staffa del motore.

► **Fig.29:** 1. Rondella piatta 6 2. Vite M6 x 135

► **Fig.30:** 1. Vite M6 x 135 in un foro per vite

► **Fig.31:** 1. Vite M6 x 135 2. Parte filettata della staffa del motore

Regolazione della profondità di taglio

1. È possibile ottenere una variazione della profondità di taglio di piccola entità ruotando questa vite con un cacciavite dal lato superiore del banco. (1,0 mm per ogni giro completo)

2. Se si ruota la vite in senso orario si aumenta la profondità di taglio, e se si ruota la vite in senso antiorario si riduce la profondità di taglio.

► **Fig.32:** 1. Cacciavite

MANUTENZIONE

ATTENZIONE: Accertarsi sempre che l'utensile sia spento e scollegato dall'alimentazione elettrica, prima di tentare di eseguire interventi di ispezione o manutenzione.

AVVISO: Non utilizzare mai benzina, benzene, solventi, alcol o altre sostanze simili. In caso contrario, si potrebbero causare scolorimenti, deformazioni o crepe.

Per preservare la SICUREZZA e l'AFFIDABILITÀ del prodotto, le riparazioni e qualsiasi altro intervento di manutenzione e di regolazione devono essere eseguiti da un centro di assistenza autorizzato Makita, utilizzando sempre ricambi Makita.

Sostituzione delle spazzole in carbonio

► **Fig.33:** 1. Indicatore di limite

Controllare a intervalli regolari le spazzole in carbonio. Sostituirle quando si sono usurate fino all'indicatore di limite. Mantenere sempre le spazzole in carbonio pulite e facili da inserire negli alloggiamenti. Entrambe le spazzole in carbonio vanno sostituite contemporaneamente. Utilizzare solo spazzole in carbonio identiche.

1. Utilizzare un cacciavite per rimuovere i cappucci degli alloggiamenti delle spazzole.

2. Estrarre le spazzole in carbonio consumate, inserire quelle nuove e fissare i cappucci degli alloggiamenti delle spazzole.

► **Fig.34:** 1. Cappuccio dell'alloggiamento della spazzola

Solo per i modelli RP1803, RP1803F, RP2303FC

Dopo aver sostituito le spazzole, collegare l'utensile all'alimentazione elettrica ed effettuare il rodaggio delle spazzole facendo funzionare l'utensile a vuoto per circa 10 minuti. Quindi, controllare l'utensile mentre è in funzione e il funzionamento del freno elettrico quando si rilascia l'interruttore a grilletto.

Qualora il freno elettrico non funzioni bene, rivolgersi a un centro di assistenza Makita locale per la riparazione.

ACCESSORI OPZIONALI

ATTENZIONE: Questi accessori o componenti aggiuntivi sono consigliati per l'uso con l'utensile Makita specificato nel presente manuale.

L'impiego di altri accessori o componenti aggiuntivi può costituire un rischio di lesioni alle persone. Utilizzare gli accessori o i componenti aggiuntivi solo per il loro scopo prefissato.

Per ottenere ulteriori dettagli relativamente a questi accessori, rivolgersi a un centro di assistenza Makita.

- Frese per tagli diritti e per creare scanalature
- Frese per creare bordi
- Frese per rifilatura di laminati
- Guida di allineamento
- Guida di rifilatura
- Supporto della guida
- Guide per sagome
- Adattatore per guida per sagome
- Controdado
- Pinza
- Bussola di riduzione per pinza
- Chiave
- Kit di bocchette per le polveri

NOTA: Alcuni articoli nell'elenco potrebbero essere inclusi nell'imballaggio dell'utensile come accessori standard. Tali articoli potrebbero variare da nazione a nazione.

Frese

Fresa diritta

► Fig.35

Unità: mm

D	A	L1	L2
6	20	50	15
1/4"			
12	12	60	30
1/2"			
12	10	60	25
1/2"			
8	8	60	25
6			
6	8	50	18
1/4"			
6	6	50	18
1/4"			

Fresa per scanalatura a "U"

► Fig.36

Unità: mm

D	A	L1	L2	R
6	6	50	18	3

Fresa per scanalatura a "V"

► Fig.37

Unità: mm

D	A	L1	L2	θ
1/4"	20	50	15	90°

Fresa rifilatrice a raso con punta da trapano

► Fig.38

Unità: mm

D	A	L1	L2	L3
12	12	60	20	35
8	8	60	20	35
6	6	60	18	28

Fresa rifilatrice a raso doppia con punta da trapano

► Fig.39

Unità: mm

D	A	L1	L2	L3	L4
6	6	70	40	12	14

Fresa per incastri

► Fig.40

Unità: mm

D	A1	A2	L1	L2	L3
12	38	27	61	4	20

Fresa per arrotondare gli angoli

► Fig.41

Unità: mm

D	A1	A2	L1	L2	L3	R
6	25	9	48	13	5	8
6	20	8	45	10	4	4

Fresa per smussatura

► Fig.42

Unità: mm

D	A	L1	L2	L3	θ
6	23	46	11	6	30°
6	20	50	13	5	45°
6	20	49	14	2	60°

Fresa per modanatura concava

► Fig.43

Unità: mm

D	A	L1	L2	R
6	20	43	8	4
6	25	48	13	8

Fresa rifilatrice a raso con cuscinetto a sfere

► Fig.44

Unità: mm

D	A	L1	L2
6	10	50	20
1/4"			

Fresa per arrotondare gli angoli con cuscinetto a sfere

► Fig.45

Unità: mm

D	A1	A2	L1	L2	L3	R
6	15	8	37	7	3,5	3
6	21	8	40	10	3,5	6
1/4"	21	8	40	10	3,5	6

Fresa per smussatura con cuscinetto a sfere

► Fig.46

Unità: mm

D	A1	A2	L1	L2	θ
6	26	8	42	12	45°
1/4"					
6	20	8	41	11	60°

Fresa per modanatura con cuscinetto a sfere

► Fig.47

Unità: mm

D	A1	A2	A3	L1	L2	L3	R
6	20	12	8	40	10	5,5	4
6	26	12	8	42	12	4,5	7

Fresa per modanatura concava con cuscinetto a sfere

► Fig.48

Unità: mm

D	A1	A2	A3	A4	L1	L2	L3	R
6	20	18	12	8	40	10	5,5	3
6	26	22	12	8	42	12	5	5

Fresa per modanatura a S con cuscinetto a sfere

► Fig.49

Unità: mm

D	A1	A2	L1	L2	L3	R1	R2
6	20	8	40	10	4,5	2,5	4,5
6	26	8	42	12	4,5	3	6

TECHNISCHE GEGEVENS

Model:	RP1802	RP1802F	RP1803	RP1803F	RP2302FC	RP2303FC
Capaciteit van spankop	12 mm of 1/2"					
Capaciteit invalfrezen	0 - 70 mm					
Nullasttoerental	23.000 min ⁻¹		22.000 min ⁻¹		9.000 - 23.000 min ⁻¹	
Totale hoogte	312 mm				327 mm	
Nettogewicht	6,2 kg					
Veiligheidsklasse	□/II					
Lamp	-	✓	-	✓		
Toerentalregelaar	-				✓	
Elektrische rem	-		✓		-	✓

- In verband met ononderbroken research en ontwikkeling behouden wij ons het recht voor bovenstaande technische gegevens te wijzigen zonder voorafgaande kennisgeving.
- De technische gegevens kunnen van land tot land verschillen.
- Gewicht volgens EPTA-procedure 01/2014

Gebruiksdoeleinden

Het gereedschap is bedoeld voor het afkantrimmen en profileren van hout, kunststof en soortgelijke materialen.

Voeding

Het gereedschap mag alleen worden aangesloten op een voeding van dezelfde spanning als aangegeven op het typeplaatje, en kan alleen worden gebruikt op enkelfase-wisselstroom. Het gereedschap is dubbel-geïsoleerd en kan derhalve ook op een niet-geaard stopcontact worden aangesloten.

Geluidsniveau

De typische, A-gewogen geluidsniveaus zijn gemeten volgens EN62841-2-17:

Model RP1802

Geluidsdrukniveau (L_{pA}): 85 dB (A)
 Geluidsvermogeniveau (L_{WA}): 96 dB (A)
 Onzekerheid (K): 3 dB (A)

Model RP1802F

Geluidsdrukniveau (L_{pA}): 85 dB (A)
 Geluidsvermogeniveau (L_{WA}): 96 dB (A)
 Onzekerheid (K): 3 dB (A)

Model RP1803

Geluidsdrukniveau (L_{pA}): 85 dB (A)
 Geluidsvermogeniveau (L_{WA}): 96 dB (A)
 Onzekerheid (K): 3 dB (A)

Model RP1803F

Geluidsdrukniveau (L_{pA}): 85 dB (A)
 Geluidsvermogeniveau (L_{WA}): 96 dB (A)
 Onzekerheid (K): 3 dB (A)

Model RP2302FC

Geluidsdrukniveau (L_{pA}): 88 dB (A)
 Geluidsvermogeniveau (L_{WA}): 99 dB (A)
 Onzekerheid (K): 3 dB (A)

Model RP2303FC

Geluidsdrukniveau (L_{pA}): 88 dB (A)
 Geluidsvermogeniveau (L_{WA}): 99 dB (A)
 Onzekerheid (K): 3 dB (A)

OPMERKING: De opgegeven geluidsemisiewaarde(n) is/zijn gemeten volgens een standaardtestmethode en kan/kunnen worden gebruikt om dit gereedschap te vergelijken met andere gereedschappen.

OPMERKING: De opgegeven geluidsemisiewaarde(n) kan/kunnen ook worden gebruikt voor een beoordeling vooraf van de blootstelling.

⚠WAARSCHUWING: Draag gehoorbescherming.

⚠WAARSCHUWING: De geluidsemisatie tijdens het gebruik van het elektrisch gereedschap in de praktijk kan verschillen van de opgegeven waarde(n) afhankelijk van de manier waarop het gereedschap wordt gebruikt, met name van het soort werkstuk waarmee wordt gewerkt.

⚠WAARSCHUWING: Zorg ervoor dat veiligheidsmaatregelen worden getroffen ter bescherming van de gebruiker die zijn gebaseerd op een schatting van de blootstelling onder praktijkomstandigheden (rekening houdend met alle fasen van de bedrijfscyclus, zoals de tijdsduur gedurende welke het gereedschap is uitgeschakeld en stationair draait, naast de ingeschakelde tijdsduur).

Trilling

De totale trillingswaarde (triaxiale vectorsom) zoals vastgesteld volgens EN62841-2-17:

Model RP1802

Gebruikstoepassing: Groeven frezen in MDF
Trillingsemisatie (a_h): 5,1 m/s²
Onzekerheid (K): 1,5 m/s²

Model RP1802F

Gebruikstoepassing: Groeven frezen in MDF
Trillingsemisatie (a_h): 5,1 m/s²
Onzekerheid (K): 1,5 m/s²

Model RP1803

Gebruikstoepassing: Groeven frezen in MDF
Trillingsemisatie (a_h): 5,1 m/s²
Onzekerheid (K): 1,5 m/s²

Model RP1803F

Gebruikstoepassing: Groeven frezen in MDF
Trillingsemisatie (a_h): 5,1 m/s²
Onzekerheid (K): 1,5 m/s²

Model RP2302FC

Gebruikstoepassing: Groeven frezen in MDF
Trillingsemisatie (a_h): 4,2 m/s²
Onzekerheid (K): 1,5 m/s²

Model RP2303FC

Gebruikstoepassing: Groeven frezen in MDF
Trillingsemisatie (a_h): 4,2 m/s²
Onzekerheid (K): 1,5 m/s²

OPMERKING: De totale trillingswaarde(n) is/zijn gemeten volgens een standaardtestmethode en kan/kunnen worden gebruikt om dit gereedschap te vergelijken met andere gereedschappen.

OPMERKING: De opgegeven totale trillingswaarde(n) kan/kunnen ook worden gebruikt voor een beoordeling vooraf van de blootstelling.

WAARSCHUWING: De trillingsemisatie tijdens het gebruik van het elektrisch gereedschap in de praktijk kan verschillen van de opgegeven waarde(n) afhankelijk van de manier waarop het gereedschap wordt gebruikt, met name van het soort werkstuk waarmee wordt gewerkt.

WAARSCHUWING: Zorg ervoor dat veiligheidsmaatregelen worden getroffen ter bescherming van de gebruiker die zijn gebaseerd op een schatting van de blootstelling onder praktijkomstandigheden (rekening houdend met alle fasen van de bedrijfscyclus, zoals de tijdsduur gedurende welke het gereedschap is uitgeschakeld en stationair draait, naast de ingeschakelde tijdsduur).

EG-verklaring van conformiteit

Alleen voor Europese landen

De EG-verklaring van conformiteit is bijgevoegd als Bijlage A bij deze gebruiksaanwijzing.

VEILIGHEIDSWAARSCHUWINGEN

Algemene veiligheids waarschuwingen voor elektrisch gereedschap

WAARSCHUWING: Lees alle veiligheids waarschuwingen, aanwijzingen, afbeeldingen en technische gegevens behorend bij dit elektrische gereedschap aandachtig door. Als u niet alle onderstaande aanwijzingen naleeft, kan dat resulteren in brand, elektrische schokken en/of ernstig letsel.

Bewaar alle waarschuwingen en instructies om in de toekomst te kunnen raadplegen.

De term "elektrisch gereedschap" in de veiligheidsvoor- schriften duidt op gereedschappen die op stroom van het lichtnet werken (met snoer) of gereedschappen met een accu (snoerloos).

Veiligheids waarschuwingen specifiek voor een bovenfrees

1. **Houd het elektrisch gereedschap alleen vast bij het geïsoleerde oppervlak omdat het snijgarnituur met zijn eigen snoer in aanraking kan komen.** Wanneer onder spanning staande draden worden geraakt, zullen de niet-geïsoleerde metalen delen van het gereedschap onder spanning komen te staan zodat de gebruiker een elektrische schok kan krijgen.
2. **Gebruik klemmen of andere bevestigingsmid- delen om het werkstuk op een stabiel platform te bevestigen en te ondersteunen.** Als u het werkstuk in uw hand of tegen uw lichaam geklemd houdt, is het onvoldoende stabiel en kunt u de controle erover verliezen.
3. **De schacht van het snijgarnituur moet over- eenkomen met de aanwezige spankop.**
4. **Gebruik uitsluitend een bit met een nominaal toerental dat minstens gelijk is aan het maxi- mumtoerental vermeld op het gereedschap.**
5. **Draag gehoorbescherming tijdens langdurig gebruik.**
6. **Behandel de bovenfreesbits zeer voorzichtig.**
7. **Controleer het bovenfreesbit vóór gebruik nauwkeurig op barsten of beschadigingen.** Vervang een gebarsten of beschadigd bit onmiddellijk.
8. **Voorkom dat u spijkers raakt.** Inspecteer het werkstuk op spijkers en verwijder deze zo nodig voordat u ermee begint te werken.
9. **Houd het gereedschap met beide handen ste- vig vast.**

10. Houd uw handen uit de buurt van draaiende delen.
11. Zorg ervoor dat het bovenfreesbit het werkstuk niet raakt voordat u het gereedschap hebt ingeschakeld.
12. Laat het gereedschap een tijdje draaien voordat u het op het werkstuk gebruikt. Controleer op trillingen of schommelingen die op een verkeerd gemonteerd bit kunnen wijzen.
13. Let goed op de draairichting van het bovenfreesbit en de voortgangsrichting.
14. Laat het gereedschap niet onnodig ingeschakeld. Bedien het gereedschap alleen terwijl u het vasthoudt.
15. Schakel het gereedschap uit en wacht altijd tot het bovenfreesbit volledig tot stilstand is gekomen voordat u het gereedschap uit het werkstuk verwijdert.
16. Raak het bovenfreesbit niet onmiddellijk na gebruik aan. Het kan bijzonder heet zijn en brandwonden op uw huid veroorzaken.
17. Smeer niet zonder na te denken thinner, benzine, olie en dergelijke op de voet van het gereedschap. Deze middelen kunnen scheuren in de voet van het gereedschap veroorzaken.
18. Sommige materialen bevatten chemische stoffen die giftig kunnen zijn. Wees voorzichtig dat u geen stof inademt en het stof niet op uw huid komt. Volg de veiligheidsinstructies van de leverancier van het materiaal op.
19. Draag altijd een stofmasker/ademhalingsapparaat dat geschikt is voor het materiaal en de toepassing waarmee u werkt.
20. Plaats het gereedschap op een stabiele plek. Anders kan het gereedschap per ongeluk vallen en letsel veroorzaken.
21. Houd het snoer uit de buurt van uw voet en andere voorwerpen. Anders kan het snoer verstrikt raken en een ongeval met vallen veroorzaken waardoor persoonlijk letsel ontstaat.

BEWAAR DEZE INSTRUCTIES.

WAARSCHUWING: Laat u NIET misleiden door een vals gevoel van comfort en bekendheid met het gereedschap (na veelvuldig gebruik) en neem alle veiligheidsvoorschriften van het betreffende gereedschap altijd strikt in acht. VERKEERD GEBRUIK of het niet naleven van de veiligheidsvoorschriften in deze gebruiksaanwijzing kan leiden tot ernstig persoonlijk letsel.

BESCHRIJVING VAN DE FUNCTIES

LET OP: Controleer altijd of het gereedschap is uitgeschakeld en de stekker ervan uit het stopcontact is verwijderd alvorens de functies op het gereedschap te controleren of af te stellen.

De freesdiepte instellen

- Fig. 1: 1. Vergrendelhendel 2. Zeskantstelbout 3. Aanslagblok 4. Stelknop 5. Diepteaanwijzer 6. Aanslagstang 7. Stelmoer van de aanslagstang 8. Sneltoevoerknop

1. Plaats het gereedschap op een vlakke ondergrond. Zet de vergrendelhendel los en beweeg het gereedschapshuis omlaag totdat het bovenfreesbit net de vlakke ondergrond raakt. Zet de vergrendelhendel vast om het gereedschap te vergrendelen.
2. Draai de stelmoer van de aanslagstang linksom. Breng de aanslagstang omlaag tot deze de zeskantstelbout raakt. Lijn de diepteaanwijzer uit met de "0" op de schaalverdeling. De freesdiepte wordt door de diepteaanwijzer aangegeven op de schaalverdeling.
3. Houd de sneltoevoerknop ingedrukt en beweeg de aanslagstang omhoog tot de gewenste freesdiepte is verkregen. Een uiterst nauwkeurige instelling is mogelijk door de stelknop te draaien (1 mm per omwenteling).
4. Door de stelmoer van de aanslagstang rechtsom te draaien, kunt u de aanslagstang stevig vastzetten.
5. Nu kan uw vooraf bepaalde freesdiepte worden verkregen door de vergrendelhendel los te zetten en daarna het gereedschapshuis omlaag te brengen totdat de aanslagstang de zeskantstelbout van het aanslagblok raakt.

Nylonmoer

LET OP: Stel de nylonmoer niet te laag af. Het bovenfreesbit zal daardoor gevaarlijk uitsteken.

De bovenste begrenzing van het gereedschapshuis kan worden ingesteld met behulp van de nylonmoer.

- Fig. 2: 1. Nylonmoer

Aanslagblok

LET OP: Aangezien door buitensporig frezen de motor overbelast kan worden of het gereedschap moeilijk te besturen kan zijn, mag de freesdiepte niet meer dan 15 mm per werkgang bedragen bij het frezen van groeven met een bit van 8 mm diameter.

LET OP: Bij het frezen van groeven met een bit van 20 mm diameter mag de freesdiepte niet meer bedragen dan 5 mm per werkgang.

LET OP: Om dieper te frezen, freest u in twee of drie werkgangen met een steeds lager ingesteld bovenfreesbit.

Aangezien het aanslagblok drie zeskantstelbouten heeft die per omwenteling 0,8 mm hoger of lager stellen, kunt u gemakkelijk drie verschillende freesdiepten realiseren zonder de aanslagstang opnieuw te hoeven instellen.

► **Fig.3:** 1. Aanslagstang 2. Zeskantstelbout 3. Aanslagblok

Stel de laagste zeskantstelbout in op de grootste freesdiepte volgens de procedure beschreven onder "De freesdiepte instellen".

Stel de twee resterende zeskantstelbouten in op minder grote freesdiepten. De verschillen in de hoogte van deze zeskantstelbouten zijn gelijk aan de verschillen in freesdiepte-instelling.

Om de zeskantstelbouten in te stellen, draait u de zeskantstelbouten met een schroevendraaier of steeksleutel. Het aanslagblok is tevens handig voor het uitvoeren van drie werkgangen met een steeds grotere freesdiepte-instelling voor het frezen van diepe groeven.

In- en uitschakelen

⚠ LET OP: Controleer altijd, voordat u de stekker in het stopcontact steekt, of de trekkerschakelaar op de juiste manier schakelt en weer terugkeert naar de uit-stand nadat deze is losgelaten.

⚠ LET OP: Zorg ervoor dat de asvergrendeling is ontgrendeld voordat u het gereedschap inschakelt.

Een vergrendelknop is aanwezig om te voorkomen dat de trekkerschakelaar per ongeluk wordt ingedrukt.

► **Fig.4:** 1. Vergrendelknop 2. Trekkerschakelaar

Om het gereedschap te starten, drukt u de vergrendelknop in en knijpt u de trekkerschakelaar in. Laat de trekkerschakelaar los om het gereedschap te stoppen. Om het gereedschap continu te laten werken, drukt u de vergrendelknop verder in terwijl u de trekkerschakelaar ingeknepen houdt.

Om het gereedschap te stoppen, knijpt u de trekkerschakelaar in zodat de vergrendelknop automatisch terugkeert. Laat daarna de trekkerschakelaar los. Nadat u de trekkerschakelaar hebt losgelaten, treedt de uit-vergrendelfunctie in werking om te voorkomen dat de trekkerschakelaar wordt ingeknepen.

⚠ LET OP: Houd het gereedschap stevig vast wanneer u het uitschakelt om de reactiekracht op te vangen.

Elektronische functies

Het gereedschap is uitgerust met elektronische functies voor een eenvoudige bediening.

Indicatorlampje

► **Fig.5:** 1. Indicatorlampje

Het indicatorlampje brandt groen wanneer de stekker van het gereedschap in het stopcontact zit. Als het indicatorlampje niet brandt, kan het netsnoer of de regelaar stuk zijn. Als het indicatorlampje brandt, maar het gereedschap niet start ondanks dat het gereedschap ingeschakeld is, kunnen de koelborstels versleten zijn, of kan de regelaar, de motor of de aan-uitschakelaar kapot zijn.

Beveiliging tegen onbedoeld inschakelen

Het gereedschap kan niet worden ingeschakeld, terwijl de trekkerschakelaar is ingeknepen, ook niet wanneer het gereedschap van stroom wordt voorzien.

Op dat moment knippert het indicatorlampje rood en geeft aan dat de beveiligingsfunctie tegen onbedoeld herstarten in werking is getreden.

Om de beveiliging tegen onbedoeld inschakelen te deactiveren, laat u de trekkerschakelaar los.

Zachte-startfunctie

De functie zachte-start minimaliseert de startschok en laat het gereedschap geleidelijk opstarten.

Constant-toerentalregeling

Alleen voor de modellen RP2302FC en RP2303FC

Maakt een gladde afwerking mogelijk omdat het toerental constant wordt gehouden, zelfs bij belasting.

Toerentalregelaar

Alleen voor de modellen RP2302FC en RP2303FC

⚠ WAARSCHUWING: Gebruik de toerentalregelaar niet tijdens bedrijf. Als gevolg van de reactiekracht zou de gebruiker het bovenfreesbit kunnen aanraken. Dit kan leiden tot persoonlijk letsel.

KENNISGEVING: Als het gereedschap gedurende een lange tijd continu op een laag toerental wordt gebruikt, wordt de motor overbelast, waardoor het gereedschap defect raakt.

KENNISGEVING: De toerentalregelaar kan slechts tot stand 6 worden gedraaid en teruggedraaid tot stand 1. Forceer de regelaar niet voorbij de 6 of de 1 omdat de toerentalregeling daardoor defect kan raken.

U kunt het toerental van het gereedschap veranderen door de toerentalregelaar te draaien en in te stellen op een cijfer van 1 tot en met 6.

► **Fig.6:** 1. Toerentalregelaar

Het toerental wordt hoger wanneer u de knop in de richting van het cijfer 6 draait. Het toerental wordt lager wanneer u de toerentalregelaar in de richting van het cijfer 1 draait.

Hiermee kan het ideale toerental worden geselecteerd voor een optimale verwerking van het materiaal, d.w.z. het toerental kan zo worden afgesteld dat het geschikt is voor het materiaal en de diameter van het bit.

Zie de onderstaande tabel voor de verhouding tussen de cijfers op de toerentalregelaar en het toerental van het gereedschap bij benadering.

Cijfer	min ¹
1	9.000
2	11.000
3	14.000
4	17.000
5	20.000
6	23.000

De lampen inschakelen

Alleen voor de modellen RP1802F, RP1803F, RP2302FC en RP2303FC

⚠ LET OP: Kijk niet direct in het lamplicht of in de lichtbron.

Knijp de trekkerschakelaar in om de lamp in te schakelen. De lamp blijft branden zolang u de trekkerschakelaar ingeknepen houdt. De lamp gaat ongeveer 10 seconden nadat de trekker is losgelaten uit.

► Fig.7: 1. Lamp

OPMERKING: Gebruik een droge doek om vuil van de lens van de lamp af te vegen. Wees voorzichtig dat u de lens van de lamp niet bekrast omdat dan de verlichting minder wordt.

MONTAGE

⚠ LET OP: Zorg altijd dat het gereedschap is uitgeschakeld en dat zijn stekker uit het stopcontact is verwijderd alvorens enig werk aan het gereedschap uit te voeren.

Het bovenfreesbit aanbrengen en verwijderen

⚠ LET OP: Breng het bovenfreesbit stevig aan. Gebruik altijd de steeksleutel die bij het gereedschap werd geleverd. Een loszittend of te strak vastgezet bovenfreesbit kan gevaarlijk zijn.

KENNISGEVING: Draai de spankopmoer niet vast zonder dat een bovenfreesbit is aangebracht, en breng geen bits met een dunne schacht aan zonder een spankegelbus te gebruiken. Dit kan beide leiden tot het afbreken van de spankegel.

1. Steek het bovenfreesbit zo ver mogelijk in de spankegel.
2. Druk op de asvergrendeling zodat de as stil staat en zet de spankopmoer stevig vast met de steeksleutel. Als u bovenfreesbits met een kleinere schachtdiameter gebruikt, steekt u eerst een passende spankegelbus in de spankegel, en brengt u daarna het bovenfreesbit aan.

► Fig.8: 1. Asvergrendeling 2. Steeksleutel
3. Losdraaien 4. Vastdraaien

Om het bovenfreesbit te verwijderen, volgt u de procedure voor het aanbrengen in de omgekeerde volgorde.

BEDIENING

⚠ WAARSCHUWING: Verzekeer u er vóór gebruik altijd van dat de aanslagstang stevig is vastgezet met behulp van de stelmoer van de aanslagstang. Anders kan tijdens gebruik de freesdiepte veranderen en persoonlijk letsel worden veroorzaakt.

⚠ LET OP: Controleer voordat u het gereedschap bedient of het gereedschap automatisch omhoog komt tot aan de bovenste begrenzing, en het bovenfreesbit niet uitsteekt tot onder de voet van het gereedschap nadat de vergrendelhendel is losgezet.

⚠ LET OP: Gebruik altijd beide handgrepen en houd het gereedschap tijdens gebruik stevig aan beide handgrepen vast.

⚠ LET OP: Controleer voordat u het gereedschap bedient of de krullenvanger goed is aangebracht.

► Fig.9: 1. Krullenvanger

1. Plaats eerst de voet op het werkstuk dat u wilt frezen, zonder dat het bovenfreesbit het werkstuk raakt.
2. Schakel het gereedschap in en wacht totdat het bovenfreesbit op volle snelheid draait.
3. Breng het gereedschapshuis omlaag en beweeg het gereedschap voorwaarts over het oppervlak van het werkstuk. Houd daarbij de voet vlak op het oppervlak van het werkstuk en beweeg het gereedschap gelijkmatig totdat het frezen klaar is.

► Fig.10

Bij het frezen van de rand van het werkstuk moet het oppervlak van het werkstuk zich aan de linkerkant van het bovenfreesbit bevinden, gezien in de voortgangsrichting.

► Fig.11: 1. Werkstuk 2. Draairichting van het bit
3. Aanzicht vanaf de bovenkant van het gereedschap 4. Voortgangsrichting

OPMERKING: Als u het gereedschap te snel voorwaarts beweegt, kan de snede van slechte kwaliteit zijn, of het bovenfreesbit of de motor worden beschadigd. Als u het gereedschap te langzaam voorwaarts beweegt, kan hierdoor de snede verbranden en lelijk worden. De juiste voortgangssnelheid is afhankelijk van de maat van het bovenfreesbit, het soort werkstuk en de freesdiepte.

Alvorens in het eigenlijke werkstuk te werken, is het raadzaam eerst een proefsnede te maken in een stuk afvalhout. Zodoende kunt u precies zien hoe de snede eruit komt te zien en kunt u tevens de afmetingen controleren.

OPMERKING: Als u de langsgelieder of de trimgelieder gebruikt, zorgt u ervoor dat u deze langs de rechterkant aanbrengt, gezien in de voortgangsrichting. Hierdoor blijft deze gelijklopen met de zijkant van het werkstuk.

► Fig.12: 1. Voortgangsrichting 2. Draairichting van het bit 3. Werkstuk 4. Langsgelieder

Langsgeleider

De langsgeleider wordt gebruikt bij het rechthoekig frezen van een schuine kant of groef.

1. Monteer de langsgeleider op de geleiderhouder met behulp van de klemschroef (B). Steek de geleiderhouder in de gaten in de voet van het gereedschap en draai de klemschroef (A) vast. Om de afstand tussen het bovenfreesbit en de langsgeleider in te stellen, draait u de klemschroef (B) los en draait u de fijnregelschroef (1,5 mm per omwenteling). Op de gewenste afstand, draai de klemschroef (B) vast om de langsgeleider op zijn plaats vast te zetten.

► **Fig.13:** 1. Klemschroef (A) 2. Langsgeleider
3. Geleiderhouder 4. Fijnregelschroef
5. Klemschroef (B)

2. Beweeg tijdens het frezen het gereedschap met de langsgeleider strak langs de zijkant van het werkstuk.

U kunt de werkbreedte van de langsgeleider naar wens vergroten door een extra stuk hout te bevestigen met behulp van de handige gaten in de langsgeleider.

Bij gebruik van een bovenfreesbit met een grote diameter, bevestigt u stukjes hout aan de langsgeleider met een dikte van meer dan 15 mm (5/8") om te voorkomen dat het bovenfreesbit de langsgeleider raakt.

► **Fig.14:** 1. Langsgeleider 2. Hout

A = 55 mm (2-3/16")

B = 55 mm (2-3/16")

C = 15 mm (5/8") of dikker

Als de afstand tussen de zijkant van het werkstuk en de freespositie te groot is voor de langsgeleider, of als de zijkant van het werkstuk niet recht is, kan de langsgeleider niet worden gebruikt. In dat geval klemt u een rechte lat op het werkstuk en gebruikt u deze als een geleider om de voet langs te bewegen. Beweeg het gereedschap in de richting van de pijl.

► **Fig.15**

Langsgeleider voor fijnregelen

Optioneel accessoire

Steek de twee stangen in de buitenste bevestigingsgaten van de geleiderhouder, en zet ze vast door de twee klemschroeven (B) vast te draaien. Verzeker u ervan dat de vingerschroef (A) is vastgedraaid, steek de twee stangen in de voet en draai de klemschroeven (A) vast.

► **Fig.16:** 1. Klemschroef (B) 2. Vingerschroef (A)
3. Klemschroef (A)

Fijnregel functie voor het positioneren van het bit ten opzichte van de langsgeleider

► **Fig.17:** 1. Vingerschroef (A) 2. Vingerschroef (B)
3. Schaalverdelingring

1. Draai de vingerschroef (A) los.
2. Draai de vingerschroef (B) om de positie indien nodig in te stellen (één omwenteling verandert de positie met 1 mm).
3. Draai de vingerschroef (A) volledig vast.

De schaalverdelingring kan afzonderlijk worden gedraaid zodat de schaalverdeling kan worden uitgelijnd met de stand (0).

De breedte van de geleiderschoen afstellen

Draai de schroeven, aangegeven in de cirkels in de afbeelding, los om de breedte van de langsgeleider te veranderen. Nadat de breedte is veranderd, draait u de schroeven volledig vast. Het afstelbereik van de geleiderschoen is van 280 mm tot en met 350 mm.

► **Fig.18:** 1. Schroef

Afgesteld op de minimale breedte

► **Fig.19**

Afgesteld op de maximale breedte

► **Fig.20**

Malgeleider

Optioneel accessoire

In de malgeleider zit een gat waar het bovenfreesbit doorheen steekt, waardoor het mogelijk wordt om de bovenfrees te gebruiken met malpatronen.

► **Fig.21**

1. Trek aan de borgplaatshendel en breng de malgeleider aan.

► **Fig.22:** 1. Malgeleider 2. Borgplaatshendel

2. Bevestig de mal op het werkstuk. Plaats het gereedschap op de mal en beweeg het gereedschap terwijl de malgeleider langs de zijkant van de mal glijdt.

► **Fig.23:** 1. Bovenfreesbit 2. Voet van het gereedschap 3. Grondplaat 4. Mal 5. Werkstuk
6. Malgeleider

OPMERKING: Het werkstuk wordt gefreesd op een iets andere grootte dan de mal. Zorg voor de afstand (X) tussen het bovenfreesbit en de buitenrand van de malgeleider. De afstand (X) kan worden berekend met behulp van de volgende vergelijking:

Afstand (X) = (buitendiameter van de malgeleider - diameter van het bovenfreesbit) / 2

Trimgeleider

Optioneel accessoire

Trimmen, gebogen lijnen frezen in fineerhout voor meubels en dergelijke kunnen gemakkelijk worden gedaan met de trimgeleider. Het geleiderwiel rolt langs de gebogen freeslijn en zorgt zo voor een gave snede.

► **Fig.24:** 1. Trimgeleider

Monteer de trimgeleider op de geleiderhouder met behulp van de klemschroef (D). Steek de geleiderhouder in de gaten in de voet van het gereedschap en draai de klemschroef (A) vast. Om de afstand tussen het bovenfreesbit en de trimgeleider in te stellen, draait u de klemschroef (D) los en draait u de fijnregelschroef (1,5 mm per omwenteling). Draai de klemschroef (C) los om het geleiderwiel omhoog of omlaag te verstellen. Draai na het verstellen alle klemschroeven stevig vast.

► **Fig.25:** 1. Geleiderhouder 2. Fijnregelschroef
3. Klemschroef (D) 4. Klemschroef (C)
5. Geleiderwiel 6. Klemschroef (A)

Beweeg tijdens het frezen het gereedschap zodanig dat het geleiderwiel langs de zijkant van het werkstuk rolt.

► **Fig.26:** 1. Bovenfreesbit 2. Geleiderwiel
3. Werkstuk

Stofafzuigaansluitmond

Gebruik de stofafzuigaansluitmond om stof af te zuigen.

1. Breng de stofafzuigaansluitmond met behulp van de vingerschroef aan op de voet van het gereedschap zodanig dat de stofafzuigaansluitmond past in de inkeping in de voet van het gereedschap.

► **Fig.27:** 1. Stofafzuigaansluitmond 2. Vingerschroef

2. Sluit een stofzuiger aan op de stofafzuigaansluitmond.

► **Fig.28**

De schroef M6x135 gebruiken om de freesdiepte in te stellen

Wanneer het gereedschap wordt gebruikt met een in de winkel verkrijgbare bovenfreestafel, kan de gebruiker met behulp van deze schroef de freesdiepte in een klein bereik afstellen vanaf de bovenkant van de tafel.

De schroef met ring monteren op het gereedschap

Steek de schroef met ring door het schroefgat in de voet van het gereedschap en draai deze daarna in het schroefdraadgedeelte van de motorsteun van het gereedschap.

Breng op dat moment een beetje vet of smeerolie aan binnenin het schroefgat in de voet van het gereedschap en op het schroefdraadgedeelte van de motorsteun.

► **Fig.29:** 1. Platte ring 6 2. Schroef M6 x 135

► **Fig.30:** 1. Schroef M6 x 135 in het schroefgat

► **Fig.31:** 1. Schroef M6 x 135

2. Schroefdraadgedeelte van de motorsteun

De freesdiepte instellen

1. De freesdiepte kan in een klein bereik worden afgesteld door deze schroef met behulp van een schroevendraaier te draaien vanaf de bovenkant van de tafel (1,0 mm per volledige omwenteling).

2. Door de schroef rechtsom te draaien, wordt de freesdiepte groter, en door de schroef linksom te draaien, wordt de freesdiepte kleiner.

► **Fig.32:** 1. Schroevendraaier

ONDERHOUD

⚠ALLET OP: Zorg altijd dat het gereedschap is uitgeschakeld en zijn stekker uit het stopcontact is verwijderd alvorens te beginnen met inspectie of onderhoud.

KENNISGEVING: Gebruik nooit benzine, wasbenzine, thinner, alcohol en dergelijke. Hierdoor kunnen verkleuring, vervormingen en barsten worden veroorzaakt.

Om de VEILIGHEID en BETROUWBAARHEID van het gereedschap te handhaven, dienen alle reparaties, onderhoud of afstellingen te worden uitgevoerd bij een erkend Makita-servicecentrum of de Makita-fabriek, en altijd met gebruik van Makita-vervangingsonderdelen.

De koolborstels vervangen

► **Fig.33:** 1. Slijtgrensmarkering

Controleer regelmatig de koolborstels. Vervang ze wanneer ze tot aan de slijtgrensmarkering versleten zijn. Houd de koolborstels schoon, zodat ze gemakkelijk in de houders glijden. Beide koolborstels dienen tegelijkertijd te worden vervangen. Gebruik uitsluitend identieke koolborstels.

1. Gebruik een schroevendraaier om de koolborsteldoppen te verwijderen.

2. Haal de versleten koolborstels eruit, schuif de nieuwe erin, en zet daarna de koolborsteldoppen weer goed vast.

► **Fig.34:** 1. Koolborsteldop

Alleen voor de modellen RP1803, RP1803F en RP2303FC

Nadat de koolborstels vervangen zijn, steekt u de stekker van het netsnoer in het stopcontact en laat u de koolborstels inlopen door het gereedschap gedurende 10 minuten onbelast te laten draaien. Test vervolgens de werking van het gereedschap tijdens het draaien, en de werking van de elektrische rem door de trekkerschakelaar los te laten.

Als de elektrische rem niet goed werkt, neemt u contact op met uw plaatselijke Makita-servicecentrum voor reparatie.

OPTIONELE ACCESSOIRES

⚠ALLET OP: Deze accessoires of hulpstukken worden aanbevolen voor gebruik met het Makita gereedschap dat in deze gebruiksaanwijzing is beschreven. Bij gebruik van andere accessoires of hulpstukken bestaat het gevaar van persoonlijke letsel. Gebruik de accessoires of hulpstukken uitsluitend voor hun bestemde doel.

Wenst u meer bijzonderheden over deze accessoires, neem dan contact op met het plaatselijke Makita-servicecentrum.

- Vlakgroefbits en groefbits
- Randbits
- Diverse laminaatrimbits
- Langsgeleider
- Trimgeleider
- Geleiderhouder
- Malgeleiders
- Malgeleideradapter
- Borgmoer
- Spankegel
- Spankegelbus
- Steeksleutel
- Stofafzuigaansluitmond

OPMERKING: Sommige items op de lijst kunnen zijn inbegrepen in de doos van het gereedschap als standaard toebehoren. Deze kunnen van land tot land verschillen.

Bovenfreesbits

Vlagraefbit

► Fig.35

Eenheid: mm

D	A	L1	L2
6	20	50	15
1/4"			
12	12	60	30
1/2"			
12	10	60	25
1/2"			
8	8	60	25
6			
6	8	50	18
1/4"			
6	6	50	18
1/4"			

U-groefbit

► Fig.36

Eenheid: mm

D	A	L1	L2	R
6	6	50	18	3

V-groefbit

► Fig.37

Eenheid: mm

D	A	L1	L2	θ
1/4"	20	50	15	90°

Afkantrimbit met boorpunt

► Fig.38

Eenheid: mm

D	A	L1	L2	L3
12	12	60	20	35
8	8	60	20	35
6	6	60	18	28

Dubbele afkantrimbit met boorpunt

► Fig.39

Eenheid: mm

D	A	L1	L2	L3	L4
6	6	70	40	12	14

Plankverbindingsbit

► Fig.40

Eenheid: mm

D	A1	A2	L1	L2	L3
12	38	27	61	4	20

Papegaaienbekbit

► Fig.41

Eenheid: mm

D	A1	A2	L1	L2	L3	R
6	25	9	48	13	5	8
6	20	8	45	10	4	4

Afschuinbit

► Fig.42

Eenheid: mm

D	A	L1	L2	L3	θ
6	23	46	11	6	30°
6	20	50	13	5	45°
6	20	49	14	2	60°

Kwartholprofielbit

► Fig.43

Eenheid: mm

D	A	L1	L2	R
6	20	43	8	4
6	25	48	13	8

Afkantrimbit met kogellager

► Fig.44

Eenheid: mm

D	A	L1	L2
6	10	50	20
1/4"			

Papegaaienbekbit met kogellager

► Fig.45

Eenheid: mm

D	A1	A2	L1	L2	L3	R
6	15	8	37	7	3,5	3
6	21	8	40	10	3,5	6
1/4"	21	8	40	10	3,5	6

Afschuinbit met kogellager

► Fig.46

Eenheid: mm

D	A1	A2	L1	L2	θ
6	26	8	42	12	45°
1/4"					
6	20	8	41	11	60°

Kwartrondbit met kogellager

► Fig.47

Eenheid: mm

D	A1	A2	A3	L1	L2	L3	R
6	20	12	8	40	10	5,5	4
6	26	12	8	42	12	4,5	7

Kwartholprofielbit met kogellager

► Fig.48

Eenheid: mm

D	A1	A2	A3	A4	L1	L2	L3	R
6	20	18	12	8	40	10	5,5	3
6	26	22	12	8	42	12	5	5

Ojiefbit met kogellager

► Fig.49

Eenheid: mm

D	A1	A2	L1	L2	L3	R1	R2
6	20	8	40	10	4,5	2,5	4,5
6	26	8	42	12	4,5	3	6

ESPECIFICACIONES

Modelo:	RP1802	RP1802F	RP1803	RP1803F	RP2302FC	RP2303FC
Capacidad del mandril cónico	12 mm o 1/2"					
Capacidad de fresado	0 - 70 mm					
Velocidad sin carga	23.000 min ⁻¹		22.000 min ⁻¹		9.000 - 23.000 min ⁻¹	
Altura total	312 mm				327 mm	
Peso neto	6,2 kg					
Clase de seguridad	II/III					
Lámpara	-	✓	-		✓	
Dial de regulación de la velocidad	-				✓	
Freno eléctrico	-		✓		-	✓

- Debido a nuestro continuado programa de investigación y desarrollo, las especificaciones aquí dadas están sujetas a cambios sin previo aviso.
- Las especificaciones pueden ser diferentes de país a país.
- Peso de acuerdo con el procedimiento EPTA 01/2014

Uso previsto

La herramienta ha sido prevista para recortar a ras y perfilar madera, plástico y materiales similares.

Alimentación

La herramienta deberá ser conectada solamente a una fuente de alimentación de la misma tensión que la indicada en la placa de características, y solamente puede ser utilizada con alimentación de CA monofásica. La herramienta tiene doble aislamiento y puede, por lo tanto, utilizarse también en tomas de corriente sin conductor de tierra.

Ruido

El nivel de ruido A-ponderado típico determinado de acuerdo con la norma EN62841-2-17:

Modelo RP1802

Nivel de presión sonora (L_{pA}): 85 dB (A)
 Nivel de potencia sonora (L_{WA}): 96 dB (A)
 Error (K): 3 dB (A)

Modelo RP1802F

Nivel de presión sonora (L_{pA}): 85 dB (A)
 Nivel de potencia sonora (L_{WA}): 96 dB (A)
 Error (K): 3 dB (A)

Modelo RP1803

Nivel de presión sonora (L_{pA}): 85 dB (A)
 Nivel de potencia sonora (L_{WA}): 96 dB (A)
 Error (K): 3 dB (A)

Modelo RP1803F

Nivel de presión sonora (L_{pA}): 85 dB (A)
 Nivel de potencia sonora (L_{WA}): 96 dB (A)
 Error (K): 3 dB (A)

Modelo RP2302FC

Nivel de presión sonora (L_{pA}): 88 dB (A)
 Nivel de potencia sonora (L_{WA}): 99 dB (A)
 Error (K): 3 dB (A)

Modelo RP2303FC

Nivel de presión sonora (L_{pA}): 88 dB (A)
 Nivel de potencia sonora (L_{WA}): 99 dB (A)
 Error (K): 3 dB (A)

NOTA: El valor (o los valores) de emisión de ruido declarado ha sido medido de acuerdo con un método de prueba estándar y se puede utilizar para comparar una herramienta con otra.

NOTA: El valor (o valores) de emisión de ruido declarado también se puede utilizar en una valoración preliminar de exposición.

ADVERTENCIA: Póngase protectores para oídos.

ADVERTENCIA: La emisión de ruido durante la utilización real de la herramienta eléctrica puede variar del valor (o los valores) de emisión declarado dependiendo de las formas en las que la herramienta sea utilizada, especialmente qué tipo de pieza de trabajo se procesa.

ADVERTENCIA: Asegúrese de identificar medidas de seguridad para proteger al operario que estén basadas en una estimación de la exposición en las condiciones reales de utilización (teniendo en cuenta todas las partes del ciclo operativo como las veces cuando la herramienta está apagada y cuando está funcionando en vacío además del tiempo de gatillo).

Vibración

El valor total de la vibración (suma de vectores triaxiales) determinado de acuerdo con la norma EN62841-2-17:

Modelo RP1802

Modo de trabajo: hacer ranuras en MDF

Emisión de vibración (a_{h1}): 5,1 m/s²

Error (K): 1,5 m/s²

Modelo RP1802F

Modo de trabajo: hacer ranuras en MDF

Emisión de vibración (a_{h1}): 5,1 m/s²

Error (K): 1,5 m/s²

Modelo RP1803

Modo de trabajo: hacer ranuras en MDF

Emisión de vibración (a_{h1}): 5,1 m/s²

Error (K): 1,5 m/s²

Modelo RP1803F

Modo de trabajo: hacer ranuras en MDF

Emisión de vibración (a_{h1}): 5,1 m/s²

Error (K): 1,5 m/s²

Modelo RP2302FC

Modo de trabajo: hacer ranuras en MDF

Emisión de vibración (a_{h1}): 4,2 m/s²

Error (K): 1,5 m/s²

Modelo RP2303FC

Modo de trabajo: hacer ranuras en MDF

Emisión de vibración (a_{h1}): 4,2 m/s²

Error (K): 1,5 m/s²

NOTA: El valor (o los valores) total de emisión de vibración declarado ha sido medido de acuerdo con un método de prueba estándar y se puede utilizar para comparar una herramienta con otra.

NOTA: El valor (o los valores) total de emisión de vibración declarado también se puede utilizar en una valoración preliminar de exposición.

⚠️ ADVERTENCIA: La emisión de vibración durante la utilización real de la herramienta eléctrica puede variar del valor (o los valores) de emisión declarado dependiendo de las formas en las que la herramienta sea utilizada, especialmente qué tipo de pieza de trabajo se procesa.

⚠️ ADVERTENCIA: Asegúrese de identificar medidas de seguridad para proteger al operario que estén basadas en una estimación de la exposición en las condiciones reales de utilización (teniendo en cuenta todas las partes del ciclo operativo como las veces cuando la herramienta está apagada y cuando está funcionando en vacío además del tiempo de gatillo).

Declaración CE de conformidad

Para países europeos solamente

La declaración CE de conformidad está incluida como Anexo A de esta manual de instrucciones.

ADVERTENCIAS DE SEGURIDAD

Advertencias de seguridad para herramientas eléctricas en general

⚠️ ADVERTENCIA: Lea todas las advertencias de seguridad, instrucciones, ilustraciones y especificaciones provistas con esta herramienta eléctrica. Si no sigue todas las instrucciones indicadas abajo podrá resultar en una descarga eléctrica, un incendio y/o heridas graves.

Guarde todas las advertencias e instrucciones para futuras referencias.

El término "herramienta eléctrica" en las advertencias se refiere a su herramienta eléctrica de funcionamiento con conexión a la red eléctrica (con cable) o herramienta eléctrica de funcionamiento a batería (sin cable).

Advertencias de seguridad para la rebajadora

1. **Sujete la herramienta eléctrica por las superficies de asiento aisladas solamente, porque la fresa puede entrar en contacto con su propio cable.** Cortar un cable con corriente puede hacer que la corriente circule por las partes metálicas expuestas de la herramienta eléctrica y puede soltar una descarga eléctrica al operario.
2. **Utilice mordazas u otros medios de sujeción prácticos para sujetar y apoyar la pieza de trabajo en una plataforma estable.** Sujetada con su mano o contra el cuerpo, la pieza de trabajo estará inestable y podrá ocasionar la pérdida del control.
3. **La espiga de la fresa debe corresponder con el mandril cónico diseñado.**
4. **Solamente utilice una fresa con capacidad al menos igual que la velocidad máxima marcada en la herramienta.**
5. **Póngase protección auditiva durante periodos prolongados de operación.**
6. **Maneje las fresas con mucho cuidado.**
7. **Inspeccione la fresa cuidadosamente para ver si tiene grietas o daños antes de comenzar la operación. Reemplace la fresa inmediatamente si está agrietada o dañada.**
8. **Evite cortar clavos. Inspeccione la pieza de trabajo por si tiene clavos y retírelos todos antes de empezar la operación.**
9. **Sujete la herramienta firmemente con ambas manos.**
10. **Mantenga las manos alejadas de las partes giratorias.**

11. Asegúrese de que la fresa no está tocando la pieza de trabajo antes de activar el interruptor.
12. Antes de utilizar la herramienta en un pieza de trabajo definitiva, déjela funcionar durante un rato. Observe por si hay vibración o bamboleo que pueda indicar una instalación incorrecta de la fresa.
13. Tenga cuidado de la dirección de giro y dirección de avance de la fresa.
14. No deje la herramienta en marcha. Opere la herramienta solamente cuando la tenga en las manos.
15. Apague siempre la herramienta y espere hasta que la fresa se haya parado completamente antes de retirar la herramienta de la pieza de trabajo.
16. No toque la fresa inmediatamente después de la operación; podrá estar muy caliente y quemarle la piel.
17. No embadurne la base de la herramienta sin cuidado con disolvente, gasolina, aceite o similar. Ellos pueden ocasionar grietas en la base de la herramienta.
18. Algunos materiales contienen sustancias químicas que podrán ser tóxicas. Tenga precaución para evitar la inhalación de polvo y el contacto con la piel. Siga los datos de seguridad del abastecedor del material.
19. Utilice siempre la mascarilla contra el polvo/respirador correcto para el material y la aplicación con que esté trabajando.
20. Coloque la herramienta sobre un área estable. De lo contrario, se podrá producir un accidente por caída y ocasionar heridas.
21. Mantenga el cable alejado de su pie o de cualquier objeto. De lo contrario, si el cable se enreda podrá ocasionar un accidente por caída y resultar en heridas personales.

GUARDE ESTAS INSTRUCCIONES.

⚠️ ADVERTENCIA: NO deje que la comodidad o familiaridad con el producto (a base de utilizarlo repetidamente) sustituya la estricta observancia de las normas de seguridad para el producto en cuestión. El MAL USO o el no seguir las normas de seguridad establecidas en este manual de instrucciones podrá ocasionar graves heridas personales.

DESCRIPCIÓN DEL FUNCIONAMIENTO

⚠️ PRECAUCIÓN: Asegúrese siempre de que la herramienta está apagada y desenchufada antes de intentar realizar cualquier tipo de ajuste o comprobación en ella.

Ajuste de la profundidad de corte

► Fig.1: 1. Palanca de bloqueo 2. Perno hexagonal de ajuste 3. Bloque del retenedor 4. Pomo de ajuste 5. Tope de profundidad 6. Barra del retenedor 7. Tuerca de ajuste de la barra del retenedor 8. Botón de avance rápido

1. Ponga la herramienta sobre una superficie plana. Afloje la palanca de bloqueo y baje el cuerpo de la herramienta hasta que la fresa toque justamente la superficie plana. Apriete la palanca de bloqueo para bloquear el cuerpo de la herramienta.
2. Gire la tuerca de ajuste de la barra del retenedor hacia la izquierda. Baje la barra del retenedor hasta que haga contacto con el perno hexagonal de ajuste. Alinee el tope de profundidad con la graduación "0". La profundidad de corte la indica el tope de profundidad en la escala.
3. Mientras presiona el botón de avance rápido, suba la barra del retenedor hasta obtener la profundidad de corte deseada. Se pueden obtener ajustes de profundidad minuciosos girando el pomo de ajuste (1 mm por vuelta).
4. Girando la tuerca de ajuste de la barra del retenedor hacia la derecha, puede apretar la barra del retenedor firmemente.
5. Ahora, la profundidad de corte predeterminada por usted se puede obtener aflojando la palanca de bloqueo y bajando después el cuerpo de la herramienta hasta que la barra del retenedor haga contacto con el perno hexagonal de ajuste del bloque del retenedor.

Tuerca de nylon

⚠️ PRECAUCIÓN: No baje demasiado la tuerca de nylon. La fresa sobresaldrá peligrosamente.

El límite superior del cuerpo de la herramienta se puede ajustar girando la tuerca de nylon.

► Fig.2: 1. Tuerca de nylon

Bloqueo del retenedor

⚠️ PRECAUCIÓN: Dado que un corte excesivo puede ocasionar sobrecarga al motor o dificultad para controlar la herramienta, la profundidad de corte no deberá ser de más de 15 mm por pasada cuando se hacen ranuras con una fresa de 8 mm de diámetro.

⚠️ PRECAUCIÓN: Cuando se hagan ranuras con una fresa de 20 mm de diámetro, la profundidad de corte no deberá ser de más de 5 mm por pasada.

⚠️ PRECAUCIÓN: Para operaciones de ranurado extra profundas, haga dos o tres pasadas con ajustes de fresa progresivamente más profundos.

Como el bloque del retenedor tiene tres pernos hexagonales de ajuste que suben o bajan 0,8 mm por vuelta, se pueden obtener fácilmente tres profundidades de corte diferentes sin reajustar la barra del retenedor.

► **Fig.3:** 1. Barra del retenedor 2. Perno hexagonal de ajuste 3. Bloque del retenedor

Regule el perno hexagonal de ajuste más bajo para obtener la profundidad de corte más profunda, siguiendo el método de "Ajuste de la profundidad de corte".

Regule los dos pernos hexagonales de ajuste restantes para obtener profundidades de corte menos profundas. Las diferencias de altura de estos pernos hexagonales de ajuste son iguales a las diferencias de las profundidades de corte. Para regular los pernos hexagonales de ajuste, gire los pernos hexagonales de ajuste con un destornillador o con una llave. El bloque del retenedor también resulta útil para hacer tres pasadas con ajustes de fresa progresivamente más profundos cuando se hacen ranuras profundas.

Accionamiento del interruptor

⚠PRECAUCIÓN: Antes de enchufar la herramienta, compruebe siempre para cerciorarse de que el gatillo interruptor se acciona debidamente y que vuelve a la posición "apagada" cuando lo suelta.

⚠PRECAUCIÓN: Asegúrese de que el bloqueo del eje está suelto antes de activar el interruptor.

Para evitar que el gatillo interruptor pueda ser apretado accidentalmente, se ha provisto un botón de bloqueo.

► **Fig.4:** 1. Botón de bloqueo 2. Gatillo interruptor

Para poner en marcha la herramienta, presione hacia dentro el botón de bloqueo y apriete el gatillo interruptor. Suelte el gatillo interruptor para parar.

Para una operación continua, apriete más el botón de bloqueo mientras mantiene apretado el gatillo interruptor.

Para detener la herramienta, apriete el gatillo interruptor de manera que el botón de bloqueo retorne automáticamente. Después libere el gatillo interruptor.

Después de liberar el gatillo interruptor, la función de desbloqueo funciona para evitar que el gatillo interruptor pueda ser apretado.

⚠PRECAUCIÓN: Mantenga la herramienta firmemente cuando apague la herramienta, para vencer la reacción.

Función electrónica

La herramienta está equipada con funciones electrónicas para facilitar su funcionamiento.

Lámpara de indicación

► **Fig.5:** 1. Luz indicadora

La lámpara de indicación se ilumina en verde cuando la herramienta está enchufada. Si la lámpara de indicación no se ilumina, es posible que el cable de alimentación o el controlador esté defectuoso. Si la lámpara de indicación está iluminada pero la herramienta no se pone en marcha aunque la encienda, es posible que las escobillas de carbón estén gastadas, o que el controlador, el motor o el interruptor de encendido/apagado esté defectuoso.

Seguro contra puesta en marcha involuntaria

La herramienta no se pondrá en marcha con el gatillo interruptor apretado aunque la herramienta esté enchufada. En este momento, la lámpara de indicación parpadea en rojo y muestra que el dispositivo de seguro contra puesta en marcha involuntaria está en función activada. Para cancelar el seguro contra puesta en marcha involuntaria, libere el gatillo interruptor.

Característica de inicio suave

La característica de inicio suave minimiza el golpe del arranque, y permite a la herramienta ponerse en marcha suavemente.

Control de velocidad constante

Solo para el modelo RP2302FC, RP2303FC

Se puede obtener un acabado fino, porque la velocidad de giro se mantiene constante incluso en condición de carga.

Dial de regulación de la velocidad

Solo para el modelo RP2302FC, RP2303FC

⚠ADVERTENCIA: No utilice el dial de regulación de la velocidad durante la operación. La fresa puede tocar al operario debido a la fuerza de reacción. Esto puede resultar en heridas personales.

AVISO: Si la herramienta es utilizada continuamente a velocidades bajas durante largo tiempo, el motor se sobrecargará, resultando en un mal funcionamiento de la herramienta.

AVISO: El dial de regulación de la velocidad se puede girar solamente hasta 6 y de vuelta hasta 1. No lo fuerce más allá de 6 o 1, o la función de regulación de la velocidad podrá dejar de funcionar.

La velocidad de la herramienta se puede cambiar girando el dial de regulación de la velocidad hasta un número de ajuste dado de 1 a 6.

► **Fig.6:** 1. Dial de regulación de la velocidad

Se obtiene velocidad más alta cuando el dial es girado en la dirección del número 6. Y se obtiene velocidad más baja cuando es girado en la dirección del número 1. Esto permite seleccionar la velocidad ideal para el procesado óptimo del material, es decir, la velocidad se puede ajustar correctamente según corresponda al material y el diámetro de la fresa.

Consulte la tabla para ver la relación entre los ajustes numéricos del dial y la velocidad aproximada de la herramienta.

Número	min ⁻¹
1	9.000
2	11.000
3	14.000
4	17.000
5	20.000
6	23.000

Encendido de las lámparas

Solo para el modelo RP1802F, RP1803F, RP2302FC, RP2303FC

⚠ PRECAUCIÓN: No mire a la luz ni vea la fuente de luz directamente.

Apriete el gatillo interruptor para encender la luz. La lámpara seguirá encendida mientras el gatillo interruptor esté siendo apretado. La lámpara se apagará aproximadamente 10 segundos después de soltar el gatillo.

► Fig.7: 1. Lámpara

NOTA: Utilice un paño seco para quitar la suciedad de la lente de la lámpara. Tenga cuidado de no rayar la lente de la lámpara, porque podrá disminuir la iluminación.

MONTAJE

⚠ PRECAUCIÓN: Asegúrese siempre de que la herramienta esté apagada y desenchufada antes de realizar cualquier trabajo en la herramienta.

Instalación o desmontaje de la fresa

⚠ PRECAUCIÓN: Instale la fresa firmemente. Utilice siempre la llave provista con la herramienta. Una fresa floja o excesivamente apretada puede ser peligrosa.

AVISO: No apriete la tuerca de casquillo cónico sin insertar una fresa ni instale fresas de espiga pequeña sin utilizar un manguito de apriete. Cualquiera de los casos puede llevar a la rotura del casquillo cónico.

1. Inserte la fresa a fondo en el casquillo cónico.
 2. Presione el bloqueo del eje para mantener estacionario el eje y utilice la llave para apretar la tuerca de casquillo cónico firmemente. Cuando utilice fresas con diámetro de espiga más pequeño, primero inserte el manguito de apriete apropiado en el casquillo cónico, después instale la fresa.
- Fig.8: 1. Bloqueo del eje 2. Llave 3. Aflojar 4. Apretar

Para retirar la fresa, siga el procedimiento de instalación a la inversa.

OPERACIÓN

⚠ ADVERTENCIA: Antes de la operación, asegúrese siempre de que la barra del retenedor está sujeta firmemente con la tuerca de ajuste de la barra del retenedor. De lo contrario, la profundidad de corte podrá cambiar durante la operación y ocasionar heridas personales.

⚠ PRECAUCIÓN: Antes de la operación, asegúrese siempre de que el cuerpo de la herramienta se eleva automáticamente hasta el límite superior y la fresa no sobresale por la base de la herramienta cuando afloja la palanca de bloqueo.

⚠ PRECAUCIÓN: Utilice siempre ambas empuñaduras y sujete firmemente la herramienta por ambas empuñaduras durante las operaciones.

⚠ PRECAUCIÓN: Antes de la operación, asegúrese siempre de que el deflector de virutas está instalado debidamente.

► Fig.9: 1. Deflector de virutas

1. Coloque la base sobre la pieza de trabajo que se va a cortar sin que la fresa haga contacto alguno.
2. Encienda la herramienta y espere hasta que la fresa adquiera plena velocidad.
3. Baje el cuerpo de la herramienta y mueva la herramienta hacia adelante sobre la superficie de la pieza de trabajo, manteniendo la base a ras y avanzando suavemente hasta completar el corte.

► Fig.10

Cuando se haga corte de bordes, la superficie de la pieza de trabajo deberá estar en el costado izquierdo de la fresa en la dirección de avance.

► Fig.11: 1. Pieza de trabajo 2. Dirección rotativa de la fresa 3. Vista desde la parte superior de la herramienta 4. Dirección de avance

NOTA: Mover la herramienta hacia adelante demasiado rápido puede ocasionar una mala calidad de corte, o daño a la fresa o el motor. Mover la herramienta hacia adelante muy despacio puede quemar y estropear el corte. La velocidad de avance adecuada dependerá del tamaño de la fresa, el tipo de pieza de trabajo y la profundidad de corte.

Antes de comenzar el corte en la pieza de trabajo definitiva, es aconsejable hacer un corte de prueba en una pieza de madera de desecho. Esto mostrará exactamente cómo será el corte y también le permitirá comprobar las dimensiones.

NOTA: Cuando utilice la guía recta o la guía de recorte, asegúrese de instalarla en el lado derecho en la dirección de avance. Esto ayudará a mantenerla a ras con el costado de la pieza de trabajo.

► Fig.12: 1. Dirección de avance 2. Dirección rotativa de la fresa 3. Pieza de trabajo 4. Guía recta

Guía recta

La guía recta se utiliza de forma efectiva para cortes rectos cuando se achafiana o ranura.

1. Instale la guía recta en el soporte de guía con el tornillo de fijación (B). Inserte el soporte de guía en los orificios de la base de la herramienta y apriete el tornillo de fijación (A). Para ajustar la distancia entre la fresa y la guía recta, afloje el tornillo de fijación (B) y gire el tornillo de ajuste fino (1,5 mm por vuelta). En la distancia deseada, apriete el tornillo de fijación (B) para sujetar la guía recta en su sitio.

► **Fig.13:** 1. Tornillo de fijación (A) 2. Guía recta
3. Soporte de guía 4. Tornillo de ajuste fino
5. Tornillo de fijación (B)

2. Cuando corte, mueva la herramienta con la guía recta a ras con el costado de la pieza de trabajo.

Se puede hacer una guía recta más ancha de las dimensiones deseadas utilizando los útiles orificios de la guía para empernar piezas extra de madera.

Cuando utilice una fresa de diámetro grande, coloque piezas de madera en la guía recta que tengan un grosor de más de 15 mm (5/8") para evitar que la fresa golpee la guía recta.

► **Fig.14:** 1. Guía recta 2. Madera

A=55 mm (2-3/16")

B=55 mm (2-3/16")

C=15 mm (5/8") o más gruesa

Si la distancia entre el costado de la pieza de trabajo y la posición de corte es muy ancha para la guía recta, o si el costado de la pieza de trabajo no es recto, la guía recta no se puede utilizar. En este caso, amordace firmemente un listón recto en la pieza de trabajo y utilícelo como guía contra la base. Avance la herramienta en la dirección de la flecha.

► **Fig.15**

Guía recta de ajuste fino

Accesorios opcionales

Inserte dos barras en las ranuras de montaje exteriores del soporte de guía, y sujételas apretando los dos tornillos de fijación (B). Asegúrese de que el tornillo de mano (A) está apretado, inserte las dos barras en la base, y apriete los tornillos de fijación (A).

► **Fig.16:** 1. Tornillo de fijación (B) 2. Tornillo de mano (A) 3. Tornillo de fijación (A)

Función de ajuste fino para posicionar la cuchilla en relación con la guía recta

► **Fig.17:** 1. Tornillo de mano (A) 2. Tornillo de mano (B) 3. Anillo de escala

1. Afloje el tornillo de mano (A).
2. Gire el tornillo de mano (B) para ajustar la posición (una vuelta ajusta la posición 1 mm) como sea necesario.
3. Apriete el tornillo de mano (A) hasta que esté sujetado.

El anillo de escala se puede girar por separado, de manera que la unidad de la escala se puede alinear a cero (0).

Ajuste de la anchura de la zapata guía

Afloje los tornillos marcados con los círculos para alterar la anchura de la guía recta. Después de alterar la anchura, apriete los tornillos hasta que estén sujetos. El rango de alteración de la anchura de la zapata guía es de 280 mm a 350 mm.

► **Fig.18:** 1. Tornillo

Cuando se ajusta a la anchura mínima de abertura

► **Fig.19**

Cuando se ajusta a la anchura máxima de abertura

► **Fig.20**

Guía de plantilla

Accesorios opcionales

La guía de plantilla provee un casquillo a través del cual pasa la fresa, permitiendo el uso de la rebajadora con patrones de plantillas.

► **Fig.21**

1. Tire de la palanca de la placa de bloqueo e inserte la guía de plantilla.

► **Fig.22:** 1. Guía de plantilla 2. Palanca de la placa de bloqueo

2. Sujete la plantilla en la pieza de trabajo. Ponga la herramienta sobre la plantilla y mueva la herramienta con la guía de plantilla deslizándose a lo largo del costado de la plantilla.

► **Fig.23:** 1. Fresa 2. Base 3. Placa de la base 4. Plantilla 5. Pieza de trabajo 6. Guía de plantilla

NOTA: La pieza de trabajo será cortada con un tamaño ligeramente diferente al de la plantilla. Tenga en cuenta la distancia (X) entre la fresa y el exterior de la guía de plantilla. La distancia (X) se puede calcular utilizando la ecuación siguiente:

Distancia (X) = (diámetro exterior de la guía de plantilla - diámetro de la fresa) / 2

Guía de recorte

Accesorios opcionales

Los cortes de recorte y curvados en enchapados para muebles y por el estilo se pueden hacer fácilmente con la guía de recorte. El rodillo guía rueda por la curva y garantiza un corte fino.

► **Fig.24:** 1. Guía de recorte

Instale la guía de recorte en el soporte de guía con el tornillo de fijación (D). Inserte el soporte de guía en los orificios de la base de la herramienta y apriete el tornillo de fijación (A). Para ajustar la distancia entre la fresa y la guía de recorte, afloje el tornillo de fijación (D) y gire el tornillo de ajuste fino (1,5 mm por vuelta). Cuando ajuste el rodillo guía hacia arriba o hacia abajo, afloje el tornillo de fijación (C). Después de ajustar, apriete todos los tornillos de fijación firmemente.

► **Fig.25:** 1. Soporte de guía 2. Tornillo de ajuste fino 3. Tornillo de fijación (D) 4. Tornillo de fijación (C) 5. Rodillo guía 6. Tornillo de fijación (A)

Cuando corte, mueva la herramienta con el rodillo guía rodando por el costado de la pieza de trabajo.

► **Fig.26:** 1. Fresa 2. Rodillo guía 3. Pieza de trabajo

Juegos de boquillas de polvo

Utilice la boquilla de polvo para la extracción de polvo.

1. Instale la boquilla de polvo en la base de la herramienta utilizando el tornillo de mano de forma que la protuberancia de la boquilla de polvo encaje en la ranura de la base de la herramienta.

► **Fig.27:** 1. Boquilla de polvo 2. Tornillo de mano

2. Conecte un aspirador a la boquilla de polvo.

► **Fig.28**

Cómo utilizar el tornillo M6 x 135 para ajustar la profundidad de corte

Cuando la herramienta se utiliza con una mesa para rebajadora disponible en el comercio, la utilización de este tornillo permite al operario obtener un ajuste de pequeña cantidad de la profundidad de corte desde encima de la mesa.

Instalación del tornillo con arandela en la herramienta

Inserte el tornillo con arandela a través de un orificio para tornillo de la base de la herramienta y después enrósquelo en la parte roscada del soporte del motor de la herramienta. Ahora, aplique algo de grasa o aceite lubricante al interior del orificio para tornillo de la base de la herramienta y a la parte roscada del soporte del motor.

► **Fig.29:** 1. Arandela plana de 6 2. Tornillo M6 x 135

► **Fig.30:** 1. Tornillo M6 x 135 en un orificio para tornillo

► **Fig.31:** 1. Tornillo M6 x 135 2. Parte roscada del soporte del motor

Ajuste de la profundidad de corte

1. Se puede obtener una pequeña cantidad de profundidad de corte girando este tornillo con un destornillador desde encima de la mesa. (1,0 mm por vuelta completa)

2. Al girar el tornillo hacia la derecha la profundidad de corte aumenta y al girar el tornillo hacia la izquierda la profundidad de corte se reduce.

► **Fig.32:** 1. Destornillador

MANTENIMIENTO

⚠PRECAUCIÓN: Asegúrese siempre de que la herramienta está apagada y desenchufada antes de intentar realizar la inspección o el mantenimiento.

AVISO: No utilice nunca gasolina, bencina, disolvente, alcohol o similares. Podría producir descoloración, deformación o grietas.

Para mantener la SEGURIDAD y FIABILIDAD del producto, las reparaciones, y cualquier otra tarea de mantenimiento o ajuste deberán ser realizadas en centros de servicio o de fábrica autorizados por Makita, empleando siempre repuestos Makita.

Reemplazo de las escobillas de carbón

► **Fig.33:** 1. Marca de límite

Compruebe las escobillas de carbón regularmente. Reemplácelas cuando se hayan gastado hasta la marca límite. Mantenga las escobillas de carbón limpias de forma que entren libremente en los portaescobillas. Ambas escobillas de carbón deberán ser reemplazada al mismo tiempo. Utilice solamente escobillas de carbón idénticas.

1. Utilice un destornillador para retirar los tapones portaescobillas.

2. Extraiga las escobillas de carbón desgastadas, inserte las nuevas y sujete los tapones portaescobillas.

► **Fig.34:** 1. Tapón portaescobillas

Solo para el modelo RP1803, RP1803F, RP2303FC

Después de reemplazar las escobillas, enchufe la herramienta y haga el rodaje a las escobillas dejando la herramienta en marcha sin carga durante unos 10 minutos. Después compruebe la herramienta mientras está en marcha y la operación del freno eléctrico cuando libera el gatillo interruptor.

Si el freno eléctrico no está funcionando bien, pida al centro de servicio Makita local que le hagan la reparación.

ACCESORIOS OPCIONALES

⚠PRECAUCIÓN: Estos accesorios o aditamentos están recomendados para su uso con la herramienta Makita especificada en este manual. El uso de cualquier otro accesorio o aditamento puede suponer un riesgo de heridas personales. Utilice el accesorio o aditamento solamente con la finalidad indicada para el mismo.

Si necesita cualquier ayuda para más detalles en relación con estos accesorios, pregunte al centro de servicio Makita local.

- Fresas rectas y de formación de ranuras
- Fresas de formación de bordes
- Fresas de recorte de laminados
- Guía recta
- Guía de recorte
- Soporte de guía
- Guías de plantilla
- Adaptador de guía de plantilla
- Tuerca de bloqueo
- Casquillo cónico
- Manguito de apriete
- Llave
- Juego de boquilla de polvo

NOTA: Algunos elementos de la lista podrán estar incluidos en el paquete de la herramienta como accesorios estándar. Pueden variar de un país a otro.

Fresas

Fresa recta

► Fig.35

Unidad: mm

D	A	L1	L2
6	20	50	15
1/4"			
12	12	60	30
1/2"			
12	10	60	25
1/2"			
8	8	60	25
6			
6	8	50	18
1/4"			
6	6	50	18
1/4"			

Fresa en "U"

► Fig.36

Unidad: mm

D	A	L1	L2	R
6	6	50	18	3

Fresa en "V"

► Fig.37

Unidad: mm

D	A	L1	L2	θ
1/4"	20	50	15	90°

Fresa de recorte a ras con punta de broca

► Fig.38

Unidad: mm

D	A	L1	L2	L3
12	12	60	20	35
8	8	60	20	35
6	6	60	18	28

Fresa de recorte a ras doble con punta de broca

► Fig.39

Unidad: mm

D	A	L1	L2	L3	L4
6	6	70	40	12	14

Fresa para machihembrado de paneles

► Fig.40

Unidad: mm

D	A1	A2	L1	L2	L3
12	38	27	61	4	20

Fresa de redondeado de esquinas

► Fig.41

Unidad: mm

D	A1	A2	L1	L2	L3	R
6	25	9	48	13	5	8
6	20	8	45	10	4	4

Fresa de chaflanado

► Fig.42

Unidad: mm

D	A	L1	L2	L3	θ
6	23	46	11	6	30°
6	20	50	13	5	45°
6	20	49	14	2	60°

Fresa de moldura redonda de media caña

► Fig.43

Unidad: mm

D	A	L1	L2	R
6	20	43	8	4
6	25	48	13	8

Fresa de recorte a ras con rodamiento

► Fig.44

Unidad: mm

D	A	L1	L2
6	10	50	20
1/4"			

Fresa de redondeado de esquinas con rodamiento

► Fig.45

Unidad: mm

D	A1	A2	L1	L2	L3	R
6	15	8	37	7	3,5	3
6	21	8	40	10	3,5	6
1/4"	21	8	40	10	3,5	6

Fresa de chaflanado con rodamiento

► Fig.46

Unidad: mm

D	A1	A2	L1	L2	θ
6	26	8	42	12	45°
1/4"					60°
6	20	8	41	11	60°

Fresa de moldura redonda con rodamiento

► Fig.47

Unidad: mm

D	A1	A2	A3	L1	L2	L3	R
6	20	12	8	40	10	5,5	4
6	26	12	8	42	12	4,5	7

Fresa de moldura redonda de media caña con rodamiento

► Fig.48

Unidad: mm

D	A1	A2	A3	A4	L1	L2	L3	R
6	20	18	12	8	40	10	5,5	3
6	26	22	12	8	42	12	5	5

Fresa de gola romana con rodamiento

► Fig.49

Unidad: mm

D	A1	A2	L1	L2	L3	R1	R2
6	20	8	40	10	4,5	2,5	4,5
6	26	8	42	12	4,5	3	6

ESPECIFICAÇÕES

Modelo:	RP1802	RP1802F	RP1803	RP1803F	RP2302FC	RP2303FC
Capacidade da pinça de aperto	12 mm ou 1/2"					
Capacidade de corte	0 - 70 mm					
Velocidade sem carga	23.000 min ⁻¹		22.000 min ⁻¹		9.000 - 23.000 min ⁻¹	
Altura geral	312 mm				327 mm	
Peso líquido	6,2 kg					
Classe de segurança	□/II					
Lâmpada	-	✓	-		✓	
Indicador de ajuste da velocidade					✓	
Travão elétrico	-		✓		-	✓

- Devido a um programa contínuo de pesquisa e desenvolvimento, estas especificações podem ser alteradas sem aviso prévio.
- As especificações podem variar de país para país.
- Peso de acordo com o Procedimento EPTA 01/2014

Utilização a que se destina

A ferramenta é utilizada para rebarbamento à face e para perfilar madeira, plástico e materiais semelhantes.

Alimentação

A ferramenta só deve ser ligada a uma fonte de alimentação com a mesma tensão da indicada na placa de características, e só funciona com alimentação de corrente alternada (CA) monofásica. Tem um sistema de isolamento duplo e pode, por isso, utilizar tomadas sem ligação à terra.

Ruído

A característica do nível de ruído A determinado de acordo com a EN62841-2-17:

Modelo RP1802

Nível de pressão acústica (L_{pA}): 85 dB (A)
 Nível de potência acústica (L_{WA}): 96 dB (A)
 Variabilidade (K): 3 dB (A)

Modelo RP1802F

Nível de pressão acústica (L_{pA}): 85 dB (A)
 Nível de potência acústica (L_{WA}): 96 dB (A)
 Variabilidade (K): 3 dB (A)

Modelo RP1803

Nível de pressão acústica (L_{pA}): 85 dB (A)
 Nível de potência acústica (L_{WA}): 96 dB (A)
 Variabilidade (K): 3 dB (A)

Modelo RP1803F

Nível de pressão acústica (L_{pA}): 85 dB (A)
 Nível de potência acústica (L_{WA}): 96 dB (A)
 Variabilidade (K): 3 dB (A)

Modelo RP2302FC

Nível de pressão acústica (L_{pA}): 88 dB (A)
 Nível de potência acústica (L_{WA}): 99 dB (A)
 Variabilidade (K): 3 dB (A)

Modelo RP2303FC

Nível de pressão acústica (L_{pA}): 88 dB (A)
 Nível de potência acústica (L_{WA}): 99 dB (A)
 Variabilidade (K): 3 dB (A)

NOTA: O(s) valor(es) da emissão de ruído indicado(s) foi medido de acordo com um método de teste padrão e pode ser utilizado para comparar duas ferramentas.

NOTA: O(s) valor(es) da emissão de ruído indicado(s) pode também ser utilizado na avaliação preliminar da exposição.

AVISO: Utilize protetores auriculares.

AVISO: A emissão de ruído durante a utilização real da ferramenta elétrica pode diferir do(s) valor(es) indicado(s), dependendo das formas como a ferramenta é utilizada, especialmente o tipo de peça de trabalho que é processada.

AVISO: Certifique-se de identificar as medidas de segurança para proteção do operador que sejam baseadas em uma estimativa de exposição em condições reais de utilização (considerando todas as partes do ciclo de operação, tal como quando a ferramenta está desligada e quando está a funcionar em marcha lenta além do tempo de acionamento).

Vibração

Valor total da vibração (soma vetorial tri-axial) determinado de acordo com a EN62841-2-17:

Modelo RP1802

Modo de trabalho: cortar ranhuras em MDF
 Emissão de vibração (a_h): 5,1 m/s²
 Variabilidade (K): 1,5 m/s²

Modelo RP1802F

Modo de trabalho: cortar ranhuras em MDF
 Emissão de vibração (a_h): 5,1 m/s²
 Variabilidade (K): 1,5 m/s²

Modelo RP1803

Modo de trabalho: cortar ranhuras em MDF

Emissão de vibração (a_h): 5,1 m/s²

Variabilidade (K): 1,5 m/s²

Modelo RP1803F

Modo de trabalho: cortar ranhuras em MDF

Emissão de vibração (a_h): 5,1 m/s²

Variabilidade (K): 1,5 m/s²

Modelo RP2302FC

Modo de trabalho: cortar ranhuras em MDF

Emissão de vibração (a_h): 4,2 m/s²

Variabilidade (K): 1,5 m/s²

Modelo RP2303FC

Modo de trabalho: cortar ranhuras em MDF

Emissão de vibração (a_h): 4,2 m/s²

Variabilidade (K): 1,5 m/s²

NOTA: O(s) valor(es) total(ais) de vibração indicado(s) foi medido de acordo com um método de teste padrão e pode ser utilizado para comparar duas ferramentas.

NOTA: O(s) valor(es) total(ais) de vibração indicado(s) pode também ser utilizado na avaliação preliminar da exposição.

AVISO: A emissão de vibração durante a utilização real da ferramenta elétrica pode diferir do(s) valor(es) indicado(s), dependendo das formas como a ferramenta é utilizada, especialmente o tipo de peça de trabalho que é processada.

AVISO: Certifique-se de identificar as medidas de segurança para proteção do operador que sejam baseadas em uma estimativa de exposição em condições reais de utilização (considerando todas as partes do ciclo de operação, tal como quando a ferramenta está desligada e quando está a funcionar em marcha lenta além do tempo de acionamento).

Declaração de conformidade da CE

Apenas para os países europeus

A declaração de conformidade da CE está incluída como Anexo A neste manual de instruções.

AVISOS DE SEGURANÇA

Avisos gerais de segurança para ferramentas elétricas

AVISO: Leia todos os avisos de segurança, instruções, ilustrações e especificações fornecidos com esta ferramenta elétrica. O não cumprimento de todas as instruções indicadas em baixo pode resultar em choque elétrico, incêndio e/ou ferimentos graves.

Guarde todos os avisos e instruções para futuras referências.

O termo "ferramenta elétrica" nos avisos refere-se às ferramentas elétricas ligadas à corrente elétrica (com cabo) ou às ferramentas elétricas operadas por meio de bateria (sem cabo).

Avisos de segurança da tupa

1. **Segure a ferramenta elétrica apenas pelas superfícies de agarramento isoladas, porque o cortador pode entrar em contacto com o seu próprio cabo.** Cortar um fio sob tensão poderá colocar peças metálicas expostas da ferramenta elétrica sob tensão e pode causar um choque elétrico no operador.
2. **Utilize braçadeiras ou outra forma prática de fixar e suportar a peça de trabalho numa plataforma estável.** Segurar a peça de trabalho com a mão ou contra o corpo deixa-a instável e pode levar a perda de controlo.
3. **A haste da cabeça do cortador tem de corresponder à pinça de aperto concebida.**
4. **Utilize apenas uma cabeça com uma classificação de, pelo menos, igual à velocidade máxima marcada na ferramenta.**
5. **Use proteções auriculares durante períodos alargados de operação.**
6. **Manuseie as cabeças da tupa com muito cuidado.**
7. **Verifique a cabeça da tupa cuidadosamente para ver se tem rachas ou danos antes da operação.** Substitua imediatamente as cabeças rachadas ou danificadas.
8. **Evite cortar pregos.** Inspeccione e remova todos os pregos da peça de trabalho antes da operação.
9. **Segure a ferramenta com firmeza com ambas as mãos.**
10. **Mantenha as mãos afastadas das peças rotativas.**
11. **Certifique-se de que a cabeça da tupa não está em contacto com a peça de trabalho antes de ligar o interruptor.**
12. **Antes de utilizar a ferramenta numa peça de trabalho real, deixe-a funcionar durante algum tempo.** Verifique se sente vibrações ou flutuações que possam indicar uma cabeça mal instalada.
13. **Tenha cuidado com a direção de rotação da cabeça da tupa e com a direção de alimentação.**
14. **Não deixe a ferramenta a funcionar. Opere a ferramenta apenas quando a tem na mão.**
15. **Desligue sempre a ferramenta e espere que a cabeça da tupa pare completamente antes de remover a ferramenta da peça de trabalho.**
16. **Não toque na cabeça da tupa imediatamente a seguir à operação.** Pode estar extremamente quente e provocar queimaduras na sua pele.
17. **Não espalhe diluente, gasolina, óleo ou outro produto semelhante descuidadamente na base da ferramenta.** Estes produtos podem provocar rachas na base da ferramenta.
18. **Alguns materiais contêm produtos químicos que podem ser tóxicos.** Tome cuidado para evitar a inalação de poeiras e o contacto com a pele. Siga os dados de segurança do fornecedor do material.
19. **Utilize sempre a máscara/respirador contra poeira adequado ao material e à aplicação com que está a trabalhar.**
20. **Coloque a ferramenta numa área estável.** Caso contrário, pode ocorrer um acidente de queda e causar ferimentos.

21. **Mantenha o cabo afastado dos seus pés ou quaisquer objetos.** Caso contrário, um cabo emaranhado pode causar um acidente de queda e resultar em ferimentos pessoais.

GUARDE ESTAS INSTRUÇÕES.

AVISO: NÃO permita que o conforto ou familiaridade com o produto (adquirido com o uso repetido) substitua o cumprimento estrito das regras de segurança da ferramenta. A MÁ INTERPRETAÇÃO ou o não seguimento das regras de segurança estabelecidas neste manual de instruções pode provocar ferimentos pessoais graves.

DESCRIÇÃO FUNCIONAL

PRECAUÇÃO: Certifique-se sempre de que a ferramenta está desligada e com a ficha retirada da tomada, antes de proceder a afinações ou de verificar o funcionamento da respetiva ferramenta.

Ajustar a profundidade do corte

- **Fig.1:** 1. Alavanca de bloqueio 2. Perno hexagonal de ajuste 3. Bloco batente 4. Botão de ajuste 5. Ponteiro de profundidade 6. Polo batente 7. Porca de ajuste do polo batente 8. Botão de alimentação rápida

1. Coloque a ferramenta numa superfície plana. Solte a alavanca de bloqueio e baixe o corpo da ferramenta até a cabeça da túpia tocar na superfície plana. Aperte a alavanca de bloqueio para bloquear o corpo da ferramenta.
2. Rode a porca de ajuste do polo batente para a esquerda. Baixe o polo batente até este estar em contacto com o perno hexagonal de ajuste. Alinhe o ponteiro de profundidade com a graduação "0". A profundidade de corte é indicada na régua pelo ponteiro de profundidade.
3. Enquanto pressiona o botão de alimentação rápida, levante o polo batente até obter a profundidade de corte pretendida. Os ajustes de profundidade mínimos podem ser obtidos rodando o botão de ajuste (1 mm por volta).
4. Ao rodar a porca de ajuste do polo batente para a direita, pode fixar o polo batente firmemente.
5. Agora, a profundidade de corte predeterminedada pode ser obtida soltando a alavanca de bloqueio e, em seguida, baixando o corpo da ferramenta até o polo batente entrar em contacto com o perno hexagonal de ajuste do bloco batente.

Porca de nylon

PRECAUÇÃO: Não baixe a porca de nylon em demasia. A cabeça da túpia ficará perigosamente sobressaída.

O limite superior do corpo da ferramenta pode ser ajustado rodando a porca de nylon.

- **Fig.2:** 1. Porca de nylon

Bloco batente

PRECAUÇÃO: Uma vez que o corte excessivo pode provocar sobrecarga do motor ou dificuldade em controlar a ferramenta, a profundidade de corte não deve ser superior a 15 mm numa passagem durante o corte de ranhuras com uma cabeça com 8 mm de diâmetro.

PRECAUÇÃO: Quando cortar ranhuras com uma cabeça de 20 mm de diâmetro, a profundidade de corte não deve ser superior a 5 mm numa passagem.

PRECAUÇÃO: Para operações de ranhuração extraprofunda, efetue duas ou três passagens com configurações progressivamente mais fundas da cabeça.

Uma vez que o bloco batente tem três pernos hexagonais de ajuste que sobem ou descem 0,8 mm por volta, pode facilmente obter três profundidades de corte diferentes sem reajustar o polo batente.

- **Fig.3:** 1. Polo batente 2. Perno hexagonal de ajuste 3. Bloco batente

Ajuste o perno hexagonal de ajuste mais baixo para obter a profundidade de corte mais funda, seguindo o método em "Ajustar a profundidade do corte". Ajuste os dois restantes pernos hexagonais de ajuste para obter profundidades mais superficiais de corte. As diferenças em altura destes pernos hexagonais de ajuste são iguais às diferenças das profundidades de corte. Para ajustar os pernos hexagonais de ajuste, rode os pernos hexagonais de ajuste com uma chave de parafusos ou uma chave. O bloco batente também é conveniente para efetuar três passagens com configurações da cabeça progressivamente mais fundas quando cortar ranhuras fundas.

Ação do interruptor

PRECAUÇÃO: Antes de ligar a ferramenta à tomada, verifique sempre se o gatilho do interruptor funciona corretamente e volta à posição de desligado quando libertado.

PRECAUÇÃO: Certifique-se de que o bloqueio do eixo foi libertado antes de ligar a ferramenta.

Para evitar que o gatilho do interruptor seja puxado acidentalmente, existe um botão de bloqueio.

- **Fig.4:** 1. Botão de bloqueio 2. Gatilho do interruptor

Para arrancar a ferramenta, pressione o botão de bloqueio e puxe o gatilho do interruptor. Solte o gatilho do interruptor para parar.

Para a operação contínua, pressione o botão de bloqueio ainda mais enquanto o gatilho do interruptor estiver a ser puxado.

Para parar a ferramenta, puxe o gatilho do interruptor de modo que o botão de bloqueio retorne automaticamente. Em seguida, solte o gatilho do interruptor.

Após soltar o gatilho do interruptor, a função de segurança funciona para evitar que o gatilho do interruptor seja puxado.

PRECAUÇÃO: Segure firmemente a ferramenta quando a desligar, para dominar a reação.

Função eletrônica

A ferramenta está equipada com as funções eletrônicas para fácil operação.

Luz indicadora

► **Fig.5:** 1. Luz indicadora

A luz indicadora acende a verde quando a ferramenta é ligada. Se a luz indicadora não acender, o cabo de alimentação ou o controlador pode estar com defeito. Se a luz indicadora está acesa, mas a ferramenta não arranca mesmo que a ferramenta esteja ligada, as escovas de carvão podem estar gastas ou o controlador, o motor ou o interruptor de ligar/desligar pode estar com defeito.

Dispositivo à prova de reinício accidental

A ferramenta não arranca com o gatilho do interruptor puxado, mesmo quando a ferramenta está ligada. Nesta altura, a luz indicadora pisca a vermelho e mostra que o dispositivo à prova de reinício accidental está a funcionar. Para cancelar o dispositivo à prova de reinício accidental, solte o gatilho do interruptor.

Funcionalidade de arranque suave

A funcionalidade de arranque suave minimiza o choque do arranque e torna o arranque da ferramenta suave.

Controlo de velocidade constante

Apenas para os modelos RP2302FC e RP2303FC

Possibilidade de obter um acabamento delicado, porque a velocidade de rotação é mantida constante, mesmo sob a condição carregada.

Indicador de ajuste da velocidade

Apenas para os modelos RP2302FC e RP2303FC

AVISO: Não utilize o indicador de ajuste da velocidade durante a operação. A cabeça da tupa pode ser tocada pelo operador por causa da força de reação. Tal poderá resultar em ferimentos pessoais.

OBSERVAÇÃO: Se a ferramenta for utilizada continuamente a velocidades baixas durante muito tempo, o motor fica sobrecarregado resultando em avaria da ferramenta.

OBSERVAÇÃO: O indicador de ajuste da velocidade só pode ser rodado até 6 e de volta ao 1. Não o force além de 6 ou 1 ou a função de ajuste da velocidade pode deixar de funcionar.

A velocidade da ferramenta pode ser alterada rodando o indicador de ajuste da velocidade para um determinado número definido de 1 a 6.

► **Fig.6:** 1. Indicador de ajuste da velocidade

Obtém-se uma velocidade maior quando o indicador é rodado em direção ao número 6. E obtém-se uma velocidade menor quando é rodado em direção ao número 1. Tal permite a seleção da velocidade ideal para o processamento de material otimizado, ou seja, a velocidade pode ser corretamente ajustada para se adequar ao material e ao diâmetro da cabeça.

Consulte a tabela para ficar a saber a relação entre as definições dos números no indicador e a velocidade aproximada da ferramenta.

Número	min ⁻¹
1	9.000
2	11.000
3	14.000
4	17.000
5	20.000
6	23.000

Acender as luzes

Apenas para os modelos RP1802F, RP1803F, RP2302FC e RP2303FC

PRECAUÇÃO: Não olhe para a luz ou para a fonte de iluminação diretamente.

Puxe o gatilho do interruptor para acender a luz. A luz continua acesa enquanto o gatilho do interruptor estiver a ser puxado. A luz apaga-se aproximadamente 10 segundos depois de soltar o gatilho.

► **Fig.7:** 1. Lâmpada

NOTA: Utilize um pano seco para limpar a sujidade da lente da lâmpada. Tenha cuidado para não riscar a lente da lâmpada ou a iluminação pode ficar enfraquecida.

MONTAGEM

PRECAUÇÃO: Certifique-se sempre de que a ferramenta está desligada e com a ficha retirada da tomada antes de executar quaisquer trabalhos na ferramenta.

Instalar ou remover a cabeça da tupa

PRECAUÇÃO: Instale a cabeça da tupa em segurança. Utilize sempre apenas a chave fornecida com a ferramenta. As cabeças da tupa soltas ou demasiado apertadas podem ser perigosas.

OBSERVAÇÃO: Não aperte a porca de aperto sem inserir uma cabeça da tupa nem instale cabeças com hastes de menor dimensão sem utilizar uma manga de aperto. Ambas as situações podem fazer com que o cone de aperto se parta.

1. Insira a cabeça da tupa até ao fim dentro do cone de aperto.
 2. Pressione o bloqueio do eixo para manter o eixo parado e utilize a chave para apertar firmemente a porca de aperto. Quando utilizar cabeças da tupa com hastes de menor diâmetro, insira primeiro a manga de aperto adequada dentro do cone de aperto e, em seguida, instale a cabeça da tupa.
- **Fig.8:** 1. Bloqueio do eixo 2. Chave 3. Soltar 4. Apertar

Para remover a cabeça da tupa, siga o procedimento de instalação pela ordem inversa.

OPERAÇÃO

⚠️ AVISO: Antes da operação, certifique-se sempre de que o polo batente está firmemente fixado pela porca de ajuste do polo batente. Caso contrário, a profundidade de corte pode mudar durante a operação e causar ferimentos pessoais.

⚠️ PRECAUÇÃO: Antes da operação, certifique-se sempre de que o corpo da ferramenta sobe automaticamente até ao limite superior e que a cabeça da túpia não fica saliente na base da ferramenta quando a alavanca de bloqueio está solta.

⚠️ PRECAUÇÃO: Utilize sempre os dois punhos e segure firmemente a ferramenta pelos dois punhos durante as operações.

⚠️ PRECAUÇÃO: Antes da operação, certifique-se sempre de que o defletor de aparas está adequadamente instalado.

► **Fig.9:** 1. Defletor de aparas

1. Coloque a base na peça de trabalho a cortar sem que a cabeça da túpia estabeleça qualquer contacto.
2. Ligue a ferramenta e aguarde até a cabeça da túpia atingir a velocidade máxima.
3. Baixe o corpo da ferramenta e mova a ferramenta para a frente sobre a superfície da peça de trabalho, mantendo a base à face e avançando suavemente até o corte estar completo.

► **Fig.10**

Quando se realizam cortes de extremidades, a superfície da peça de trabalho deve estar no lado esquerdo da cabeça da túpia na direção de alimentação.

► **Fig.11:** 1. Peça de trabalho 2. Direção de rotação da cabeça 3. Vista a partir do topo da ferramenta 4. Direção de alimentação

NOTA: Mover a ferramenta para a frente demasiado depressa pode provocar cortes de má qualidade ou danificar a cabeça da túpia ou o motor. Mover a ferramenta para a frente devagar demais pode queimar e danificar o corte. A taxa de alimentação adequada depende do tamanho da cabeça da túpia, do tipo de peça de trabalho e da profundidade do corte.

Antes de começar o corte na peça de trabalho, é aconselhável realizar um corte de amostragem num pedaço de desperdício de madeira. Assim ficará a saber exatamente qual será o aspeto do corte, bem como lhe permitirá verificar as dimensões.

NOTA: Quando se utiliza a guia reta ou a guia aparadora, certifique-se que a instala no lado direito na direção de alimentação. Isto ajudará a mantê-la à face da parte lateral da peça de trabalho.

► **Fig.12:** 1. Direção de alimentação 2. Direção de rotação da cabeça 3. Peça de trabalho 4. Guia reta

Guia reta

A guia reta é utilizada eficazmente para cortes retos durante a chanfragem ou ranhuragem.

1. Instale a guia reta no suporte da guia utilizando o parafuso de fixação (B). Insira o suporte da guia dentro dos orifícios na base da ferramenta e aperte o parafuso de fixação (A). Para ajustar a distância entre a cabeça da túpia e a guia reta, solte o parafuso de fixação (B) e rode o parafuso de ajuste pormenorizado (1,5 mm por volta). A distância pretendida, aperte o parafuso de fixação (B) para fixar a guia reta no lugar.

► **Fig.13:** 1. Parafuso de fixação (A) 2. Guia reta 3. Suporte da guia 4. Parafuso de ajuste pormenorizado 5. Parafuso de fixação (B)

2. Quando cortar, mova a ferramenta com a guia reta à face da parte lateral da peça de trabalho.

Para aumentar a guia reta às dimensões pretendidas, pode utilizar os orifícios convenientes na guia para aparafusar pedaços suplementares de madeira. Quando utilizar uma cabeça da túpia de maior diâmetro, fixe pedaços de madeira na guia reta com uma espessura superior a 15 mm (5/8") para evitar que a cabeça da túpia bata na guia reta.

► **Fig.14:** 1. Guia reta 2. Madeira

A=55 mm (2-3/16")

B=55 mm (2-3/16")

C=15 mm (5/8") ou mais grossa

Se a distância entre a parte lateral da peça de trabalho e a posição de corte for demasiado ampla para a guia reta ou se a parte lateral da peça de trabalho não for reta, a guia reta não pode ser utilizada. Neste caso, fixe firmemente uma prancha reta na peça de trabalho e utilize-a como guia contra a base. Movimente a ferramenta na direção da seta.

► **Fig.15**

Guia reta de ajuste pormenorizado

Acessório opcional

Insira as duas barras nas ranhuras de montagem exteriores do suporte da guia e fixe-as apertando os dois parafusos de fixação (B). Certifique-se de que o parafuso de orelhas (A) está apertado, insira as duas barras na base e aperte os parafusos de fixação (A).

► **Fig.16:** 1. Parafuso de fixação (B) 2. Parafuso de orelhas (A) 3. Parafuso de fixação (A)

Função de ajuste pormenorizado para o posicionamento da lâmina em relação à guia reta

► **Fig.17:** 1. Parafuso de orelhas (A) 2. Parafuso de orelhas (B) 3. Anel da régua

1. Solte o parafuso de orelhas (A).
2. Rode o parafuso de orelhas (B) para ajustar a posição (uma volta ajusta a posição em 1 mm) conforme necessário.
3. Aperte o parafuso de orelhas (A) até ficar fixado. O anel da régua pode ser rodado separadamente de modo que a unidade da régua possa ser alinhada para zero (0).

Ajustar a largura da sapata da guia

Solte os parafusos marcados com os círculos para alterar a largura da guia reta. Após alterar a largura, aperte os parafusos até ficarem fixados.

O intervalo de alteração da largura da sapata da guia situa-se entre 280 mm e 350 mm.

► **Fig.18:** 1. Parafuso

Quando definida para a largura de abertura mínima
► **Fig.19**

Quando definida para a largura de abertura máxima
► **Fig.20**

Guia do molde

Acessório opcional

A guia do molde proporciona uma manga através da qual a cabeça da tupa passa, permitindo a utilização da tupa com padrões de moldes.

► **Fig.21**

1. Puxe a alavanca da chapa de bloqueio e insira a guia do molde.

► **Fig.22:** 1. Guia do molde 2. Alavanca da chapa de bloqueio

2. Fixe o molde à peça de trabalho. Coloque a ferramenta no molde e mova-a com a guia do molde a deslizar ao longo da parte lateral do molde.

► **Fig.23:** 1. Cabeça da tupa 2. Base 3. Chapa da base 4. Molde 5. Peça de trabalho 6. Guia do molde

NOTA: A peça de trabalho será cortada com um tamanho ligeiramente diferente do molde. Deixe uma distância (X) entre a cabeça da tupa e a parte exterior da guia do molde. A distância (X) pode ser calculada utilizando a seguinte equação:

Distância (X) = (diâmetro externo da guia do molde - diâmetro da cabeça da tupa) / 2

Guia aparadora

Acessório opcional

É fácil rebarbar, realizar cortes curvos em laminados para peças de mobiliário e outros do género com a guia aparadora. O rolo da guia faz a curva e garante um corte perfeito.

► **Fig.24:** 1. Guia aparadora

Instale a guia aparadora no suporte da guia utilizando o parafuso de fixação (D). Insira o suporte da guia dentro dos orifícios na base da ferramenta e aperte o parafuso de fixação (A). Para ajustar a distância entre a cabeça da tupa e a guia aparadora, solte o parafuso de fixação (D) e rode o parafuso de ajuste pormenorizado (1,5 mm por volta). Quando ajustar o rolo da guia para cima ou para baixo, solte o parafuso de fixação (C). Após o ajuste, aperte firmemente todos os parafusos de fixação.

► **Fig.25:** 1. Suporte da guia 2. Parafuso de ajuste pormenorizado 3. Parafuso de fixação (D) 4. Parafuso de fixação (C) 5. Rolo da guia 6. Parafuso de fixação (A)

Quando cortar, mova a ferramenta com o rolo da guia a rolar na parte lateral da peça de trabalho.

► **Fig.26:** 1. Cabeça da tupa 2. Rolo da guia 3. Peça de trabalho

Conjuntos de bocal de poeira

Utilize o bocal de poeira para extração da poeira.

1. Instale o bocal de poeira na base da ferramenta utilizando o parafuso de orelhas de forma que a saliência no bocal de poeira encaixe no entalhe na base da ferramenta.

► **Fig.27:** 1. Bocal de poeira 2. Parafuso de orelhas

2. Ligue um aspirador ao bocal de poeira.

► **Fig.28**

Como utilizar o parafuso M6 x 135 para ajustar a profundidade de corte

Quando utilizar a ferramenta com uma bancada de tupa disponível no mercado, a utilização deste parafuso permite a um operador obter uma pequena porção de ajuste da profundidade de corte por cima da bancada.

Instalar o parafuso com arruela na ferramenta

Insira o parafuso com arruela através de um orifício de parafuso na base da ferramenta e, em seguida, aperte a parte roscada do suporte do motor da ferramenta. Nesta altura, aplique alguma massa lubrificante ou algum óleo lubrificante no interior do orifício de parafuso na base da ferramenta e na parte roscada do suporte do motor.

► **Fig.29:** 1. Arruela plana 6 2. Parafuso M6 x 135

► **Fig.30:** 1. Parafuso M6 x 135 num orifício de parafuso

► **Fig.31:** 1. Parafuso M6 x 135 2. Parte roscada do suporte do motor

Ajustar a profundidade de corte

1. É possível obter uma pequena porção de profundidade de corte rodando este parafuso com uma chave de parafusos por cima da bancada. (1,0 mm por uma volta completa)

2. Rodar o parafuso para a direita torna a profundidade de corte maior e rodar o parafuso para a esquerda torna a profundidade de corte menor.

► **Fig.32:** 1. Chave de parafusos

MANUTENÇÃO

⚠PRECAUÇÃO: Certifique-se sempre de que a ferramenta está desligada e com a ficha retirada da tomada antes de tentar proceder à inspeção ou à manutenção.

📌OBSERVAÇÃO: Nunca utilize gasolina, benzina, diluente, álcool ou produtos semelhantes. Pode ocorrer a descoloração, deformação ou rachaduras.

Para manter a SEGURANÇA e a FIABILIDADE do produto, as reparações e qualquer outra manutenção ou ajuste devem ser levados a cabo pelos centros de assistência Makita autorizados ou pelos centros de assistência de fábrica, utilizando sempre peças de substituição Makita.

Substituição das escovas de carvão

► Fig.33: 1. Marca limite

Verifique regularmente as escovas de carvão. Substitua-as quando estiverem gastas até à marca limite. Mantenha as escovas de carvão limpas e a deslizar nos suportes. As duas escovas de carvão devem ser substituídas ao mesmo tempo. Só utilize escovas de carvão idênticas.

1. Utilize uma chave de parafusos para retirar as tampas do suporte das escovas.
2. Retire as escovas de carvão usadas, coloque as novas e prenda as tampas do suporte das escovas.

► Fig.34: 1. Tampa do suporte das escovas

Apenas para os modelos RP1803, RP1803F e RP2303FC

Após substituir as escovas, ligue a ferramenta à tomada e insira as escovas operando a ferramenta sem carga durante cerca de 10 minutos. Em seguida, verifique a ferramenta enquanto opera e o funcionamento do travão elétrico quando soltar o gatilho do interruptor. Se o travão elétrico não estiver a funcionar corretamente, solicite a reparação no centro de assistência Makita local.

ACESSÓRIOS OPCIONAIS

▲ PRECAUÇÃO: Estes acessórios ou peças são recomendados para utilização com a ferramenta Makita especificada neste manual. A utilização de outros acessórios ou peças pode ser perigosa para as pessoas. Utilize apenas acessórios ou peças para os fins indicados.

Se necessitar de informações adicionais relativas a estes acessórios, solicite-as ao seu centro de assistência Makita.

- Cabeças retas e para formação de ranhuras
- Cabeças para formação de extremidades
- Cabeças aparadoras de laminados
- Guia reta
- Guia aparadora
- Suporte da guia
- Guias do molde
- Adaptador da guia do molde
- Porca de bloqueio
- Cone de aperto
- Manga de aperto
- Chave
- Conjunto de bocal de poeira

NOTA: Alguns itens da lista podem estar incluídos na embalagem da ferramenta como acessórios padrão. Eles podem variar de país para país.

Cabeças da tupa

Cabeça reta

► Fig.35

Unidade: mm

D	A	L1	L2
6	20	50	15
1/4"			
12	12	60	30
1/2"			
12	10	60	25
1/2"			
8	8	60	25
6			
6	8	50	18
1/4"			
6	6	50	18
1/4"			

Cabeça de ranhuragem em “U”

► Fig.36

Unidade: mm

D	A	L1	L2	R
6	6	50	18	3

Cabeça de ranhuragem em “V”

► Fig.37

Unidade: mm

D	A	L1	L2	θ
1/4"	20	50	15	90°

Cabeça de rebarbamento à face do ponto de perfuração

► Fig.38

Unidade: mm

D	A	L1	L2	L3
12	12	60	20	35
8	8	60	20	35
6	6	60	18	28

Cabeça de rebarbamento à face do duplo ponto de perfuração

► Fig.39

Unidade: mm

D	A	L1	L2	L3	L4
6	6	70	40	12	14

Cabeça de uniões de placas

► Fig.40

Unidade: mm

D	A1	A2	L1	L2	L3
12	38	27	61	4	20

Cabeça para arredondamento de cantos

► Fig.41

Unidade: mm

D	A1	A2	L1	L2	L3	R
6	25	9	48	13	5	8
6	20	8	45	10	4	4

Cabeça de chanfragem

► Fig.42

Unidade: mm

D	A	L1	L2	L3	θ
6	23	46	11	6	30°
6	20	50	13	5	45°
6	20	49	14	2	60°

Cabeça de rebordos de ansa

► Fig.43

Unidade: mm

D	A	L1	L2	R
6	20	43	8	4
6	25	48	13	8

Cabeça de rebarbamento à face com rolamento de esferas

► Fig.44

Unidade: mm

D	A	L1	L2
6	10	50	20
1/4"			

Cabeça de arredondamento de cantos com rolamento de esferas

► Fig.45

Unidade: mm

D	A1	A2	L1	L2	L3	R
6	15	8	37	7	3,5	3
6	21	8	40	10	3,5	6
1/4"	21	8	40	10	3,5	6

Cabeça de chanfragem com rolamento de esferas

► Fig.46

Unidade: mm

D	A1	A2	L1	L2	θ
6	26	8	42	12	45°
1/4"					
6	20	8	41	11	60°

Cabeça de rebordos com rolamento de esferas

► Fig.47

Unidade: mm

D	A1	A2	A3	L1	L2	L3	R
6	20	12	8	40	10	5,5	4
6	26	12	8	42	12	4,5	7

Cabeça de rebordos de ansa com rolamento de esferas

► Fig.48

Unidade: mm

D	A1	A2	A3	A4	L1	L2	L3	R
6	20	18	12	8	40	10	5,5	3
6	26	22	12	8	42	12	5	5

Cabeça de asa em arco duplo romano com rolamento de esferas

► Fig.49

Unidade: mm

D	A1	A2	L1	L2	L3	R1	R2
6	20	8	40	10	4,5	2,5	4,5
6	26	8	42	12	4,5	3	6

SPECIFIKATIONER

Model:	RP1802	RP1802F	RP1803	RP1803F	RP2302FC	RP2303FC
Kapacitet af indsatspatron	12 mm eller 1/2"					
Kapacitet af indstik	0 - 70 mm					
Hastighed uden belastning	23.000 min ⁻¹		22.000 min ⁻¹		9.000 - 23.000 min ⁻¹	
Samlet højde	312 mm				327 mm	
Nettovægt	6,2 kg					
Sikkerhedsklasse	□/II					
Lampe	-	✓	-		✓	
Drejeknap til hastighedsjustering					✓	
Elektrisk bremse	-		✓		-	✓

- På grund af vores kontinuerlige forsknings- og udviklingsprogrammer kan uafhængige specifikationer blive ændret uden varsel.
- Specifikationer kan variere fra land til land.
- Vægt i henhold til EPTA-procedure 01/2014

Tilsluttet anvendelse

Maskinen er beregnet til tilskæring og afdrejning af træ, plastik og lignende materialer.

Strømforsyning

Maskinen må kun tilsluttes en strømforsyning med samme spænding som angivet på typeskiltet og kan kun anvendes på enfaset vekselstrømforsyning. Den er dobbeltisoleret og kan derfor også tilsluttes netstik uden jordforbindelse.

Støj

Det typiske A-vægtede støjniveau bestemt i overensstemmelse med EN62841-2-17:

Model RP1802

Lydtryksniveau (L_{pA}): 85 dB (A)
 Lydeffektniveau (L_{WA}): 96 dB (A)
 Usikkerhed (K): 3 dB (A)

Model RP1802F

Lydtryksniveau (L_{pA}): 85 dB (A)
 Lydeffektniveau (L_{WA}): 96 dB (A)
 Usikkerhed (K): 3 dB (A)

Model RP1803

Lydtryksniveau (L_{pA}): 85 dB (A)
 Lydeffektniveau (L_{WA}): 96 dB (A)
 Usikkerhed (K): 3 dB (A)

Model RP1803F

Lydtryksniveau (L_{pA}): 85 dB (A)
 Lydeffektniveau (L_{WA}): 96 dB (A)
 Usikkerhed (K): 3 dB (A)

Model RP2302FC

Lydtryksniveau (L_{pA}): 88 dB (A)
 Lydeffektniveau (L_{WA}): 99 dB (A)
 Usikkerhed (K): 3 dB (A)

Model RP2303FC

Lydtryksniveau (L_{pA}): 88 dB (A)
 Lydeffektniveau (L_{WA}): 99 dB (A)
 Usikkerhed (K): 3 dB (A)

BEMÆRK: De(n) angivne støjemissionsværdi(er) er målt i overensstemmelse med en standardtestmetode og kan anvendes til at sammenligne en maskine med en anden.

BEMÆRK: De(n) angivne støjemissionsværdi(er) kan også anvendes i en præliminær eksponeringsvurdering.

⚠ ADVARSEL: Bær høreværn.

⚠ ADVARSEL: Støjemissionen under den faktiske anvendelse af maskinen kan være forskellig fra de(n) angivne værdi(er), afhængigt af den måde hvorpå maskinen anvendes, især den type arbejdsomme der behandles.

⚠ ADVARSEL: Sørg for at identificere de sikkerhedsforskrifter til beskyttelse af operatøren, som er baseret på en vurdering af eksponering under de faktiske brugsforhold (med hensyntagen til alle dele i brugscyklussen, f.eks. de gange, hvor maskinen er slukket, og når den kører i tomgang i tilgift til afbrydertiden).

Vibration

Vibrationens totalværdi (tre-aksial vektorsum) bestemt i overensstemmelse med EN62841-2-17:

Model RP1802

Arbejdstilstand: skæring af riller i MDF
 Vibrationsemission (a_{h1}): 5,1 m/s²
 Usikkerhed (K): 1,5 m/s²

Model RP1802F

Arbejdstilstand: skæring af riller i MDF
 Vibrationsemission (a_{h1}): 5,1 m/s²
 Usikkerhed (K): 1,5 m/s²

Model RP1803

Arbejdstilstand: skæring af riller i MDF
 Vibrationsemission (a_{h1}): 5,1 m/s²
 Usikkerhed (K): 1,5 m/s²

Model RP1803F

Arbejdstilstand: skæring af riller i MDF
 Vibrationsemission (a_{h1}): 5,1 m/s²
 Usikkerhed (K): 1,5 m/s²

Model RP2302FC

Arbejdstilstand: skæring af riller i MDF

Vibrationsemission (a_v): 4,2 m/s²

Usikkerhed (K): 1,5 m/s²

Model RP2303FC

Arbejdstilstand: skæring af riller i MDF

Vibrationsemission (a_v): 4,2 m/s²

Usikkerhed (K): 1,5 m/s²

BEMÆRK: De(n) angivne totalværdi(er) for vibration er målt i overensstemmelse med en standardtestmetode og kan anvendes til at sammenligne en maskine med en anden.

BEMÆRK: De(n) angivne totalværdi(er) for vibration kan også anvendes i en præliminær eksponeringsvurdering.

⚠ ADVARSEL: Vibrationsemissionen under den faktiske anvendelse af maskinen kan være forskellig fra de(n) angivne værdi(er), afhængigt af den måde hvorpå maskinen anvendes, især den type arbejdsemne der behandles.

⚠ ADVARSEL: Sørg for at identificere de sikkerhedsforskrifter til beskyttelse af operatøren, som er baseret på en vurdering af eksponering under de faktiske brugsforhold (med hensyntagen til alle dele i brugscyklussen, f.eks. de gange, hvor maskinen er slukket, og når den kører i tomgang i tilgift til afbrydertiden).

EF-overensstemmelseserklæring

Kun for lande i Europa

EF-overensstemmelseserklæringen er inkluderet som Bilag A i denne brugsanvisning.

SIKKERHEDSADVARSLER

Almindelige sikkerhedsregler for el-værktøj

⚠ ADVARSEL: Læs alle de sikkerhedsadvarsler, instruktioner, illustrationer og specifikationer, der følger med denne maskine. Forsømmelse af at overholde alle nedenstående instruktioner kan medføre elektrisk stød, brand og/eller alvorlig personskade.

Gem alle advarsler og instruktioner til fremtidig reference.

Ordet "el-værktøj" i advarslerne henviser til det netforsyede (netledning) el-værktøj eller batteriforsyede (akku) el-værktøj.

Sikkerhedsadvarsler for overfræser

1. Hold kun maskinen i de isolerede gribeblader, da skæreren kan komme i kontakt med sin egen ledning. Hvis der skæres i en strømførende ledning, kan udsatte metaldele på maskinen også blive strømførende, hvorved operatøren kan få elektrisk stød.

2. Brug skruetvinger eller en anden praktisk måde til at fastgøre og understøtte arbejdsemnet til en stabil platform. Hvis arbejdsemnet holdes i hånden eller mod kroppen, er det ustabil, hvilket kan medføre, at du mister kontrollen.
3. Skærebittens aksel skal matche den designede spændepatron.
4. Brug kun en bit som er normeret til mindst at være det samme som den maksimale hastighed, der er angivet på maskinen.
5. Bær høreværn ved længere tids brug.
6. Hænder overfræserbits yderst forsigtigt.
7. Kontroller overfræserbitten omhyggeligt for revner eller beskadigelse før brugen. Udskift øjeblikkeligt en revnet eller beskadiget bit.
8. Undgå at skære i søm. Se efter og fjern alle søm fra arbejdsemnet, før arbejdet påbegyndes.
9. Hold godt fast i maskinen med begge hænder.
10. Hold hænderne på afstand af roterende dele.
11. Sørg for, at overfræserbitten ikke er i kontakt med arbejdsemnet, før der tændes ved kontakten.
12. Lad maskinen køre et stykke tid, før den anvendes på et egentligt arbejdsemne. Se efter vibration eller rysten, der kan tyde på en forkert monteret bit.
13. Vær opmærksom på overfræserbittens rotationsretning og fremføringsretningen.
14. Lad ikke maskinen ligge og køre. Brug kun maskinen, når den holdes i hænderne.
15. Sluk altid, og vent, til overfræserbitten er helt stoppet, før maskinen fjernes fra arbejdsemnet.
16. Undlad at berøre overfræserbitten umiddelbart efter brugen. Den kan være meget varm og kan forårsage forbrændinger.
17. Udsæt ikke ved skødesløshed maskinens fod for fortynder, benzin, olie eller lignende. De kan forårsage revner i maskinens fod.
18. Nogle materialer indeholder kemikalier, der kan være giftige. Sørg omhyggeligt for at undgå indånding af støv samt kontakt med huden. Følg materialeleverandørens sikkerhedsdata.
19. Anvend altid den/det korrekte støvmaske/ åndedrætsværn til det materiale og den anvendelse, du arbejder med.
20. Placer maskinen på et stabilt område. Ellers kan der forekomme en faldulykke, der forårsager personskade.
21. Hold ledningen væk fra foden eller andre genstande. I modsat fald kan en sammenfiltret ledning forårsage en faldulykke og resultere i personskade.

GEM DISSE FORSKRIFTER.

⚠ ADVARSEL: LAD IKKE bekvemmelighed eller kendskab til produktet (opnået gennem gentagen brug) forhindre, at sikkerhedsforskrifterne for produktet nøje overholdes. MISBRUG eller forsømmelse af at følge de i denne brugsvejledning givne sikkerhedsforskrifter kan medføre alvorlig personskade.

FUNKTIONSBESKRIVELSE

⚠️FORSIGTIG: Kontrollér altid, at maskinen er slået fra, og at netstikket er trukket ud, før der udføres justeringer, eller funktioner kontrolleres på maskinen.

Justering af skæredybden

► **Fig.1:** 1. Låsehåndtag 2. Sekskantbolt til justering 3. Stopblok 4. Knap til justering 5. Dybdevælger 6. Stopskruer 7. Indstillingsmøtrik til stopperarm 8. Knap til hurtig fremføring

1. Anbring maskinen på en flad overflade. Løsn låsehåndtaget og sænk maskinens krop, indtil overfræserbitten lige berører den flade overflade. Tilspænd låsehåndtaget for at låse maskinens krop.
2. Drej indstillingsmøtrikken til stopperarmen mod uret. Sænk stopskruen, indtil den kommer i kontakt med sekskantbolten til justering. Juster dybdevælgeren med gradinddelingen "0". Skæredybden angives på skalaen ved hjælp af dybdevælgeren.
3. Mens du trykker på knappen til hurtig fremføring, skal du hæve stopskruen, indtil den ønskede skæredybde er opnået. Der kan opnås små dybdejusteringer ved at dreje på knappen til justering (1 mm pr. omdrejning).
4. Du kan fastgøre stopskruen forsvarligt ved at dreje indstillingsmøtrikken til stopperarmen med uret.
5. Nu kan den forudbestemte skæredybde opnås ved at løsne låsehåndtaget og derefter sænke maskinens krop, indtil stopskruen kommer i kontakt med stopblokkens sekskantbolten til justering.

Nylonmøtrik

⚠️FORSIGTIG: Sænk ikke nylonmøtrikken for langt ned. Overfræserbitten vil stikke ud på farlig vis.

Den øverste grænse for maskinens krop kan justeres ved at dreje nylonmøtrikken.

► **Fig.2:** 1. Nylonmøtrik

Stopblok

⚠️FORSIGTIG: Da overdreven skæring kan forårsage overbelastning af motoren eller problemer med at styre maskinen, bør skæredybden ikke være mere end 15 mm pr. arbejdsplas ved skæring af riller med en bit på 8 mm diameter.

⚠️FORSIGTIG: Ved skæring af riller med en bit på 20 mm diameter bør skæredybden ikke være mere end 5 mm pr. arbejdsplas.

⚠️FORSIGTIG: For ekstra dybe rilleskæringer skal der foretages to eller tre arbejdsplas med gradvist dybere bitindstillinger.

Da stopblokken har tre sekskantbolte til justering, der hæver eller sænker 0,8 mm pr. omdrejning, kan du nemt opnå tre forskellige skæredybder uden at justere stopskruen igen.

► **Fig.3:** 1. Stopskruer 2. Sekskantbolt til justering 3. Stopblok

Juster den nederste sekskantbolt til justering for at opnå den dybeste skæredybde efter metoden "Justering af skæredybden".

Juster de to tilbageværende sekskantbolte til justering for at opnå mindre skæredybder. Højdeforskellene på disse sekskantbolte til justering er lig med forskellene i skæredybde. For at justere sekskantboltene til justering drejes sekskantboltene til justering med en skruetrækker eller skrueøgle. Stopblokken er også praktisk til at foretage tre arbejdsplas med gradvist dybere bitindstillinger ved skæring af dybe riller.

Afbryderfunktion

⚠️FORSIGTIG: Før maskinen tilkobles, skal du altid kontrollere, at afbryderknappen aktiveres korrekt og går tilbage til "FRA"-stillingen, når den slippes.

⚠️FORSIGTIG: Sørg for, at aksellåsen er frigivet, før der tændes ved afbryderen.

For at forhindre et utilsigtet tryk på afbryderknappen er maskinen udstyret med en låseknap.

► **Fig.4:** 1. Låseknap 2. Afbryderknap

Maskinen startes ved at trykke låseknapen ned og trykke på afbryderknappen. Slip afbryderknappen for at stoppe. For kontinuerlig anvendelse skal du trykke yderligere på låseknapen, mens afbryderknappen trykkes ned.

For at stoppe maskinen skal du trykke på afbryderknappen, så låseknapen automatisk vender tilbage. Slip derefter afbryderknappen.

Når afbryderknappen slippes, fungerer låsefunktionen for at forhindre et tryk på afbryderknappen.

⚠️FORSIGTIG: Hold godt fast i maskinen, når der tændes for maskinen, for at modstå reaktionen.

Elektronisk funktion

Maskinen er udstyret med elektroniske funktioner for nem betjening.

Indikatorlampe

► **Fig.5:** 1. Indikatorlampe

Indikatorlampen lyser grønt, når maskinen er tilsluttet. Hvis indikatorlampen ikke lyser, kan netledningen eller kontrolleren være defekt. Hvis indikatorlampen er tændt, men maskinen ikke starter, selvom der er tændt for maskinen, kan kulbørsterne være slidte, eller kontrolleren, motoren eller TÆND/SLUK-knappen kan være defekt.

Sikring mod utilsigtet start

Maskinen starter ikke med et tryk på afbryderknappen, selv når maskinen er tilsluttet.

I så fald blinker indikatorlampen rødt og viser, at sikringsenheden mod utilsigtet start er aktiveret. Slip afbryderknappen for at annullere sikringen mod utilsigtet genstart.

Funktion til blød start

Funktionen til blød start minimerer opstartsstød og får maskinen til at starte blødt.

Konstant hastighedskontrol

Kun for model RP2302FC, RP2303FC

Det er muligt at opnå en flot finish, fordi rotationshastigheden holdes konstant selv under belastning.

Drejeknap til hastighedsjustering

Kun for model RP2302FC, RP2303FC

⚠ ADVARSEL: Brug ikke drejeknappen til hastighedsjustering under anvendelse. Overfræserbitten kan berøres af operatøren på grund af reaktionskraft. Dette kan medføre personskaade.

BEMÆRKNING: Hvis maskinen anvendes kontinuerligt ved lave hastigheder i lang tid, bliver motoren overbelastet, hvilket resulterer i funktionsfejl på maskinen.

BEMÆRKNING: Drejeknappen til hastighedsjustering kan kun drejes så langt som 6 og tilbage til 1. Undlad at tvinge den forbi 6 eller 1, da hastighedsjusteringsfunktionen måske ikke længere virker.

Maskinhastigheden kan ændres ved at dreje drejeknappen til hastighedsjustering til en given nummerindstilling fra 1 til 6.

► **Fig.6:** 1. Drejeknap til hastighedsjustering

Højere hastighed opnås, når drejeknappen drejes i retningen af nummer 6. Og lavere hastighed opnås, når den drejes i retningen af nummer 1.

Dette gør det muligt at vælge den ideelle hastighed til optimal materialebehandling, dvs. at hastigheden kan justeres korrekt, så den passer til materialet og bitdiameteren.

Se tabellen for at få oplysninger om forholdet mellem nummerindstillingerne på drejeknappen og den omtrentlige maskinhastighed.

Nummer	min ⁻¹
1	9.000
2	11.000
3	14.000
4	17.000
5	20.000
6	23.000

Tænding af lamperne

Kun for model RP1802F, RP1803F, RP2302FC, RP2303FC

⚠ FORSIGTIG: Kig aldrig direkte på lyskilden. Lad ikke lysget falde i Deres øjne.

Tryk på afbryderknappen for at tænde lyset. Lampen fortsætter med at lyse, så længe der trykkes på afbryderknappen. Lampen slukkes ca. 10 sekunder efter, at afbryderen er sluppet.

► **Fig.7:** 1. Lampe

BEMÆRK: Brug en tør klud til at tørre snavset af lampens linse. Pas på ikke at ridse lampens linse, da dette muligvis kan dæmpe belysningen.

SAMLING

⚠ FORSIGTIG: Sørg altid for, at maskinen er slukket og taget ud af forbindelse, inden der udføres nogen form for arbejde på maskinen.

Montering eller afmontering af overfræserbitten

⚠ FORSIGTIG: Monter overfræserbitten fast. Brug altid kun den medfølgende skrueøgle med maskinen. En løs eller overstrammet overfræserebit kan være farlig.

BEMÆRKNING: Undlad at tilspænde patronmøtrikken uden at indsætte en overfræserebit eller montere små skafbits uden at bruge en indsatspatron. Tilspænding af patronmøtrikken uden at indsætte en overfræserebit eller montering af små skafbits uden at bruge en indsatspatron kan medføre, at patronkeglen går i stykker.

1. Indsæt overfræserebitten helt ind i patronkeglen.
2. Tryk på aksellåsen for at holde akslen stille, og brug skrueøglen til at tilspænde patronmøtrikken forsvarligt. Når du bruger overfræserebits med mindre skaftdiameter, skal du først indsætte den egnede indsatspatron i patronkeglen og derefter montere overfræserebitten.

► **Fig.8:** 1. Aksellås 2. Skrueøgle 3. Løsn 4. Stram

Følg monteringsproceduren i omvendt rækkefølge for at afmontere overfræserebitten.

ANVENDELSE

⚠ ADVARSEL: Før anvendelse skal du altid sørge for, at stopskruen er forsvarligt fastgjort ved hjælp af indstillingsmøtrikken til stopperarmen. Ellers kan skæredybden ændre sig under anvendelse og forårsage personskaade.

⚠ FORSIGTIG: Før brug skal du altid sørge for, at maskinens kabinet automatisk løftes til den øverste grænse, og at overfræserebitten ikke stikker frem fra maskinens fod, når låsehåndtaget er løstnet.

⚠ FORSIGTIG: Brug altid begge greb, og hold godt fast i maskinen med begge greb under anvendelse.

⚠ FORSIGTIG: Kontroller altid før brug, at spånskærmen er monteret korrekt.

► **Fig.9:** 1. Spånskærm

1. Anbring foden på det arbejdsemne, der skal skæres, uden at overfræserebitten kommer i kontakt.
2. Tænd for maskinen, og vent, indtil overfræserebitten når fuld hastighed.
3. Sænk maskinens krop, og flyt maskinen fremad hen over arbejdsemnets overflade, idet foden holdes plan, og der flyttes fremad med jævn hastighed, indtil skæringen er færdig.

► **Fig.10**

Ved skæring af kanter, skal arbejdsemnets overflade være på venstre side af overfræserbitten i fremføringsretningen.

- **Fig.11:** 1. Arbejdsemne 2. Bittens omdrejningsretning 3. Set fra toppen af maskinen 4. Fremføringsretning

BEMÆRK: Hvis maskinen føres fremad for hurtigt, kan det medføre et dårligt snit eller beskadigelse af overfræserbitten eller motoren. Hvis maskinen flyttes for langsomt fremad, kan snittet blive brændt og ødelagt. Den korrekte fremføringshastighed afhænger af overfræserbittens størrelse, typen af arbejdsemne og skæredybden.

Før du starter snittet i det faktiske arbejdsemne, tilrådes det at foretage et prøvesnit i et stykke affaldstræ. Dette viser, nøjagtigt hvordan snittet vil se ud, og du kan kontrollere dimensionerne.

BEMÆRK: Ved brug af det lige styr eller tilskæringsstyret skal du sørge for at montere det i højre side i fremføringsretningen. Dette hjælper med at holde det justeret i forhold til siden af arbejdsemnet.

- **Fig.12:** 1. Fremføringsretning 2. Bittens omdrejningsretning 3. Arbejdsemne 4. Lige styr

Lige styr

Det lige styr anvendes effektivt til lige snit i forbindelse med skræfåsning eller skæring af riller.

1. Monter det lige styr på styrholderen ved hjælp af spændeskruen (B). Indsæt styrholderen i hullerne på maskinens fod, og tilspænd spændeskruen (A). Før at justere afstanden mellem overfræserbitten og det lige styr skal du løsne spændeskruen (B) og dreje finjusteringskruen (1,5 mm pr. omdrejning). Tilspænd spændeskruen (B) ved den ønskede afstand for at holde det lige styr på plads.

- **Fig.13:** 1. Spændeskruer (A) 2. Lige styr 3. Styrholder 4. Finjusteringskruer 5. Spændeskruer (B)

2. Når du skærer, skal du flytte maskinen, så det lige styr flugter med siden af arbejdsemnet.

Der kan skabes et bredere lige styr med de ønskede dimensioner ved at bruge de praktiske huller i styret til at fastgøre ekstra stykker træ.

Når du bruger en overfræserbit med stor diameter, fastgøres træstykker til det lige styr, som har en tykkelse på mere end 15 mm (5/8") for at forhindre overfræserbitten i at ramme det lige styr.

- **Fig.14:** 1. Lige styr 2. Træ

A=55 mm (2-3/16")

B=55 mm (2-3/16")

C=15 mm (5/8") eller tykkere

Hvis afstanden mellem arbejdsemnets side og skærepositionen er for bred til det lige styr, eller hvis arbejdsemnets side ikke er lige, kan det lige styr ikke anvendes. I så fald skal du fastklemme et lige bræt til arbejdsemnet og bruge det som et styr mod foden. Før maskinen i pilens retning.

- **Fig.15**

Finjustering af lige styr

Ekstraudstyr

Indsæt de to stænger i styrholderens udvendige monteringsåbninger, og fastgør dem ved at tilspænde de to spændeskruer (B). Sørg for, at fingerskruen (A) er tilspændt, indsæt de to stænger i foden, og tilspænd spændeskruerne (A).

- **Fig.16:** 1. Spændeskruer (B) 2. Fingerskruer (A) 3. Spændeskruer (A)

Finjusteringsfunktion til placering af bladet i forhold til det lige styr

- **Fig.17:** 1. Fingerskruer (A) 2. Fingerskruer (B) 3. Skaleringsring

1. Løsn fingerskruen (A).
2. Drej fingerskruen (B) for at justere positionen (en omdrejning justerer positionen med 1 mm) efter behov.
3. Tilspænd fingerskruen (A), indtil den er fastgjort.

Skaleringsringen kan drejes separat, så skalaenheden kan justeres til nul (0).

Justering af styrføringsanslagets bredde

Løsn skruerne markeret med cirklerne for at ændre bredden af det lige styr. Efter ændring af bredden tilspændes skruerne, indtil de er fastgjort.

Ændringsområdet for styrføringsanslagets bredde er 280 mm til 350 mm.

- **Fig.18:** 1. Skruer

Når indstillet til minimum åbningsbredde

- **Fig.19**

Når indstillet til maksimal åbningsbredde

- **Fig.20**

Skabelonstyr

Ekstraudstyr

Skabelonstyret skaber en muffe, som overfræserbitten går igennem, så overfræseren kan bruges sammen med skabelonmønstre.

- **Fig.21**

1. Træk i låsepladearmen, og indsæt skabelonstyret.

- **Fig.22:** 1. Skabelonstyr 2. Låsepladearm

2. Fastgør skabelonen til arbejdsemnet. Placer maskinen på skabelonen, og flyt maskinen, så skabelonstyret glider langs siden af skabelonen.

- **Fig.23:** 1. Overfræserbit 2. Fod 3. Grundplade 4. Skabelon 5. Arbejdsemne 6. Skabelonstyr

BEMÆRK: Arbejdsemnet skæres i en lidt anden størrelse end skabelonen. Tag højde for afstanden (X) mellem overfræserbitten og ydersiden af skabelonstyret. Afstanden (X) kan beregnes ved hjælp af følgende ligning:

Afstand (X) = (skabelonstyrets udvendige diameter - overfræserbittens diameter) / 2

Tilskæringsstyr

Ekstraudstyr

Tilskæring, kurvede snit i finer til møbler og lignende er let at foretage med tilskæringsstyret. Styrrullen rider på kurven og sikrer et fint snit.

► **Fig.24:** 1. Tilskæringsstyr

Monter tilskæringsstyret på styrholderen ved hjælp af spændeskruen (D). Indsæt styrholderen i hullerne på maskinens fod, og tilspænd spændeskruen (A). For at justere afstanden mellem overfræserbitten og tilskæringsstyret skal du løse spændeskruen (D) og dreje finjusteringskruen (1,5 mm pr. omdrejning). Når du justerer styrrullen op eller ned, skal du løse spændeskruen (C). Efter justering tilspændes alle spændeskruer forsvarligt.

► **Fig.25:** 1. Styrholder 2. Finjusteringskruer
3. Spændeskruer (D) 4. Spændeskruer (C)
5. Styrrulle 6. Spændeskruer (A)

Når du skærer, skal du flytte maskinen, så styrrullen kører på siden af arbejdsområdet.

► **Fig.26:** 1. Overfræserbit 2. Styrrulle 3. Arbejdsområde

Støvmundstykket

Brug støvmundstykket til at fjerne støv.

1. Monter støvmundstykket på maskinens fod ved hjælp af fingerskruen, så fremspringet på støvmundstykket passer til indhakkets i maskinens fod.

► **Fig.27:** 1. Støvmundstykke 2. Fingerskrue

2. Tilslut en støvsuger til støvmundstykket.

► **Fig.28**

Sådan bruges skrue M6 x 135 til justering af skæredybden

Når maskinen bruges med et overfræserbord til rådighed på markedet, giver denne skrue en operatør mulighed for at opnå en lille justering af skæredybden fra over bordet.

Montering af skruen med spændeskiven på maskinen

Indsæt skruen med spændeskiven gennem et skrueløb på maskinens fod, og skru derefter skruen ind i den gevindskårne del af maskinens motorbeslag ind. På dette tidspunkt påføres noget fedt eller smørelolie på indersiden af skrueløbet på maskinens fod og den gevindskårne del af motorbeslaget.

► **Fig.29:** 1. Flad spændeskive 6 2. Skrue M6 x 135

► **Fig.30:** 1. Skrue M6 x 135 i et skrueløb

► **Fig.31:** 1. Skrue M6 x 135 2. Gevindskårne del af motorbeslaget

Justering af skæredybden

1. Der kan opnås en lille skæredybde ved at dreje denne skrue med en skruetrækker ovenfra bordet. (1,0 mm pr. fuld omdrejning)

2. Hvis skruen drejes med uret, bliver skæredybden større, og hvis skruen drejes mod uret, bliver skæredybden mindre.

► **Fig.32:** 1. Skruetrækker

VEDLIGEHODELSE

⚠FORSIGTIG: Kontrollér altid, at der er slukket for maskinen, og at netstikket er trukket ud, før der udføres eftersyn eller vedligeholdelse.

BEMÆRKNING: Anvend aldrig benzin, rensebenzin, fortynder, alkohol og lignende. Det kan medføre misfarvning, deformation eller revner.

For at opretholde produktets SIKKERHED og PÅLIDELIGHED må reparation, vedligeholdelse eller justering kun udføres af et autoriseret Makita servicecenter eller fabrikksservicecenter med anvendelse af Makita reservedele.

Udskiftning af kulbørster

► **Fig.33:** 1. Slidgrænse

Kontrollér kulbørsterne med regelmæssige mellemrum. Udskift dem, når de er slidt ned til slidgrænsen. Hold kulbørsterne rene og i stand til frit at glide ind i holderne. Begge kulbørster skal udskiftes parvist samtidigt. Anvend kun identiske kulbørster.

1. Benyt en skruetrækker til at afmontere kulholderdækslerne.

2. Tag de slidte kulbørster ud, isæt de nye, og fastgør derefter kulholderdækslerne.

► **Fig.34:** 1. Kulholderdæksel

Kun for model RP1803, RP1803F, RP2303FC

Efter udskiftning af børsterne tilsluttes maskinen, og børsterne slides ved at lade maskinen køre uden belastning i ca. 10 minutter. Kontrollér derefter maskinen, mens den kører, og at den elektriske bremse fungerer, når afbryderknappen slippes. Hvis den elektriske bremse ikke fungerer godt, skal det lokale Makita-servicecenter kontaktes for reparation.

EKSTRAUDSTYR

⚠FORSIGTIG: Det følgende tilbehør og ekstraudstyr er anbefalet til brug med Deres Makita maskine, der er beskrevet i denne brugsanvisning. Anvendelse af andet tilbehør eller ekstraudstyr kan udgøre en risiko for personskade. Anvend kun tilbehør og ekstraudstyr til det beskrevne formål.

Hvis De behøver hjælp ved valg af tilbehør eller ønsker yderligere informationer, bedes De kontakte Deres lokale Makita servicecenter.

- Lige- og rilleformingsbits
- Kantformingsbits
- Laminattilskæringsbits
- Lige styr
- Tilskæringsstyr
- Styrholder
- Skabelonstyr
- Skabelonstyradaprer
- Låsemøtrik
- Patronkegle
- Indsatspatron
- Skruenøgle
- Støvmundstykket

BEMÆRK: Nogle ting på denne liste kan være inkluderet i værktøjspakken som standardtilbehør. Det kan være forskellige fra land til land.

Overfræserbits

Lige bit

► Fig.35

Enhed: mm

D	A	L1	L2
6	20	50	15
1/4"			
12	12	60	30
1/2"			
12	10	60	25
1/2"			
8	8	60	25
6	8	50	18
1/4"			
6	6	50	18
1/4"			

“U”-rillebit

► Fig.36

Enhed: mm

D	A	L1	L2	R
6	6	50	18	3

“V”-rillebit

► Fig.37

Enhed: mm

D	A	L1	L2	θ
1/4"	20	50	15	90°

Bit til udglatning af borepunkt

► Fig.38

Enhed: mm

D	A	L1	L2	L3
12	12	60	20	35
8	8	60	20	35
6	6	60	18	28

Bit til dobbelt udglatning af borepunkt

► Fig.39

Enhed: mm

D	A	L1	L2	L3	L4
6	6	70	40	12	14

Bit til sammenføring af brædder

► Fig.40

Enhed: mm

D	A1	A2	L1	L2	L3
12	38	27	61	4	20

Bit til afrunding af hjørner

► Fig.41

Enhed: mm

D	A1	A2	L1	L2	L3	R
6	25	9	48	13	5	8
6	20	8	45	10	4	4

Skråfasningsbit

► Fig.42

Enhed: mm

D	A	L1	L2	L3	θ
6	23	46	11	6	30°
6	20	50	13	5	45°
6	20	49	14	2	60°

Bugtbertlingsbit

► Fig.43

Enhed: mm

D	A	L1	L2	R
6	20	43	8	4
6	25	48	13	8

Bit til udglatning med kugleleje

► Fig.44

Enhed: mm

D	A	L1	L2
6	10	50	20
1/4"			

Bit til afrunding af hjørner med kugleleje

► Fig.45

Enhed: mm

D	A1	A2	L1	L2	L3	R
6	15	8	37	7	3,5	3
6	21	8	40	10	3,5	6
1/4"	21	8	40	10	3,5	6

Bit til skråfasning med kugleleje

► Fig.46

Enhed: mm

D	A1	A2	L1	L2	θ
6	26	8	42	12	45°
1/4"					60°
6	20	8	41	11	60°

Bit til bertling med kugleleje

► Fig.47

Enhed: mm

D	A1	A2	A3	L1	L2	L3	R
6	20	12	8	40	10	5,5	4
6	26	12	8	42	12	4,5	7

Bit til bugtbertling med kugleleje

► Fig.48

Enhed: mm

D	A1	A2	A3	A4	L1	L2	L3	R
6	20	18	12	8	40	10	5,5	3
6	26	22	12	8	42	12	5	5

Antikkarnisbit med kugleleje

► Fig.49

Enhed: mm

D	A1	A2	L1	L2	L3	R1	R2
6	20	8	40	10	4,5	2,5	4,5
6	26	8	42	12	4,5	3	6

ΠΡΟΔΙΑΓΡΑΦΕΣ

Μοντέλο:	RP1802	RP1802F	RP1803	RP1803F	RP2302FC	RP2303FC
Ικανότητα μηχανισμού σύσφιξης	12 mm ή 1/2"					
Ικανότητα βύθισης	0 - 70 mm					
Ταχύτητα χωρίς φορτίο	23.000 min ⁻¹		22.000 min ⁻¹		9.000 - 23.000 min ⁻¹	
Συνολικό ύψος	312 mm				327 mm	
Καθαρό βάρος	6,2 kg					
Κατηγορία ασφάλειας	⊠/II					
Λάμπα	-	✓	-		✓	
Επιλογέας ρύθμισης ταχύτητας					✓	
Ηλεκτρονικό φρένο	-		✓		-	✓

- Λόγω του συνεχόμενου προγράμματος που εφαρμόζουμε για έρευνα και ανάπτυξη, τα τεχνικά χαρακτηριστικά στο παρόν έντυπο υπόκεινται σε αλλαγή χωρίς προειδοποίηση.
- Τα τεχνικά χαρακτηριστικά μπορεί να διαφέρουν από χώρα σε χώρα.
- Βάρος σύμφωνα με διαδικασία ΕΡΤΑ 01/2014

Προοριζόμενη χρήση

Το εργαλείο προορίζεται για επίπεδη κοπή και μορφοποίηση ξύλου, πλαστικού και παρόμοιων υλικών.

Ηλεκτρική παροχή

Το εργαλείο πρέπει να συνδέεται μόνο με ηλεκτρική παροχή της ίδιας τάσης με αυτή που αναγράφεται στην πινακίδα ονομαστικών τιμών και μπορεί να λειτουργήσει μόνο με εναλλασσόμενο μονοφασικό ρεύμα. Υπάρχει διπλή μόνωση και κατά συνέπεια, μπορεί να γίνει σύνδεση σε ακροδέκτες χωρίς σύρμα γείωσης.

Θόρυβος

Το τυπικό Α επίπεδο καταμετρημένου θορύβου καθορίζεται σύμφωνα με το EN62841-2-17:

Μοντέλο RP1802

Στάθμη ηχητικής πίεσης (L_{pA}): 85 dB (A)
Στάθμη ηχητικής ισχύος (L_{WA}): 96 dB (A)
Αβεβαιότητα (K): 3 dB (A)

Μοντέλο RP1802F

Στάθμη ηχητικής πίεσης (L_{pA}): 85 dB (A)
Στάθμη ηχητικής ισχύος (L_{WA}): 96 dB (A)
Αβεβαιότητα (K): 3 dB (A)

Μοντέλο RP1803

Στάθμη ηχητικής πίεσης (L_{pA}): 85 dB (A)
Στάθμη ηχητικής ισχύος (L_{WA}): 96 dB (A)
Αβεβαιότητα (K): 3 dB (A)

Μοντέλο RP1803F

Στάθμη ηχητικής πίεσης (L_{pA}): 85 dB (A)
Στάθμη ηχητικής ισχύος (L_{WA}): 96 dB (A)
Αβεβαιότητα (K): 3 dB (A)

Μοντέλο RP2302FC

Στάθμη ηχητικής πίεσης (L_{pA}): 88 dB (A)
Στάθμη ηχητικής ισχύος (L_{WA}): 99 dB (A)
Αβεβαιότητα (K): 3 dB (A)

Μοντέλο RP2303FC

Στάθμη ηχητικής πίεσης (L_{pA}): 88 dB (A)
Στάθμη ηχητικής ισχύος (L_{WA}): 99 dB (A)
Αβεβαιότητα (K): 3 dB (A)

ΠΑΡΑΤΗΡΗΣΗ: Η δηλωμένη τιμή(ές) εκπομπής θορύβου έχει μετρηθεί σύμφωνα με την πρότυπη μέθοδο δοκιμής και μπορεί να χρησιμοποιηθεί για τη σύγκριση ενός εργαλείου με κάποιο άλλο.

ΠΑΡΑΤΗΡΗΣΗ: Η δηλωμένη τιμή(ές) εκπομπής θορύβου μπορεί να χρησιμοποιηθεί και στην προκαταρκτική αξιολόγηση της έκθεσης.

ΠΡΟΕΙΔΟΠΟΙΗΣΗ: Να φοράτε ωτοασπίδες.

ΠΡΟΕΙΔΟΠΟΙΗΣΗ: Η εκπομπή θορύβου κατά τη χρήση του ηλεκτρικού εργαλείου σε πραγματικές συνθήκες μπορεί να διαφέρει από τη δηλωμένη τιμή(ές) ανάλογα με τους τρόπους χρήσης του εργαλείου, ιδιαίτερα το είδος του είδος του εργαλείου που υπόκειται επεξεργασία.

ΠΡΟΕΙΔΟΠΟΙΗΣΗ: Φροντίστε να λάβετε τα κατάλληλα μέτρα προστασίας του χειριστή βάσει ενός υπολογισμού της έκθεσης σε πραγματικές συνθήκες χρήσης (λαμβάνοντας υπόψη όλες τις συνιστώσες του κύκλου λειτουργίας όπως τους χρόνους που το εργαλείο είναι εκτός λειτουργίας και όταν βρίσκεται σε αδρανή λειτουργία πέραν του χρόνου ενεργοποίησης).

Κραδασμός

Η ολική τιμή δόνησης (άθροισμα τρι-αξονικού διανύσματος) καθορίζεται σύμφωνα με το EN62841-2-17:

Μοντέλο RP1802

Είδος εργασίας: κοπή αυλακώσεων σε MDF
Εκπομπή δόνησης (a_{h1}): 5,1 m/s²
Αβεβαιότητα (K): 1,5 m/s²

Μοντέλο RP1802F

Είδος εργασίας: κοπή αυλακώσεων σε MDF
Εκπομπή δόνησης (a_{h1}): 5,1 m/s²
Αβεβαιότητα (K): 1,5 m/s²

Μοντέλο RP1803

Είδος εργασίας: κοπή αυλακώσεων σε MDF
Εκπομπή δόνησης (a_{h1}): 5,1 m/s²
Αβεβαιότητα (K): 1,5 m/s²

Μοντέλο RP1803F

Είδος εργασίας: κοπή αυλακώσεων σε MDF
Εκπομπή δόνησης (a_{h1}): 5,1 m/s²
Αβεβαιότητα (K): 1,5 m/s²

Μοντέλο RP2302FC

Είδος εργασίας: κοπή αυλακώσεων σε MDF
Εκπομπή δόνησης (a_{h1}): 4,2 m/s²
Αβεβαιότητα (K): 1,5 m/s²

Μοντέλο RP2303FC

Είδος εργασίας: κοπή αυλακώσεων σε MDF
Εκπομπή δόνησης (a_{h1}): 4,2 m/s²
Αβεβαιότητα (K): 1,5 m/s²

ΠΑΡΑΤΗΡΗΣΗ: Η δηλωμένη τιμή(ές) συνολικών κραδασμών έχει μετρηθεί σύμφωνα με την πρότυπη μέθοδο δοκιμής και μπορεί να χρησιμοποιηθεί για τη σύγκριση ενός εργαλείου με κάποιο άλλο.

ΠΑΡΑΤΗΡΗΣΗ: Η δηλωμένη τιμή(ές) συνολικών κραδασμών μπορεί να χρησιμοποιηθεί και στην προκαταρκτική αξιολόγηση της έκθεσης.

ΠΡΟΕΙΔΟΠΟΙΗΣΗ: Η εκπομπή κραδασμών κατά τη χρήση του ηλεκτρικού εργαλείου σε πραγματικές συνθήκες μπορεί να διαφέρει από τη δηλωμένη τιμή(ές) εκπομπής ανάλογα με τους τρόπους χρήσης του εργαλείου, ιδιαίτερα το είδος του τεμαχίου εργασίας που υπόκειται επεξεργασία.

ΠΡΟΕΙΔΟΠΟΙΗΣΗ: Φροντίστε να λάβετε τα κατάλληλα μέτρα προστασίας του χειριστή βάσει ενός υπολογισμού της έκθεσης σε πραγματικές συνθήκες χρήσης (λαμβάνοντας υπόψη όλες τις συνιστώσες του κύκλου λειτουργίας όπως τους χρόνους που το εργαλείο είναι εκτός λειτουργίας και όταν βρίσκεται σε αδρανή λειτουργία πέραν του χρόνου ενεργοποίησης).

Δήλωση συμμόρφωσης ΕΚ

Μόνο για χώρες της Ευρώπης

Η δήλωση συμμόρφωσης ΕΚ περιλαμβάνεται ως Παράρτημα Α στο παρόν εγχειρίδιο οδηγιών.

ΠΡΟΕΙΔΟΠΟΙΗΣΕΙΣ ΑΣΦΑΛΕΙΑΣ

Γενικές προειδοποιήσεις ασφαλείας για το ηλεκτρικό εργαλείο

ΠΡΟΕΙΔΟΠΟΙΗΣΗ: Διαβάστε όλες τις προειδοποιήσεις ασφαλείας, οδηγίες, εικονογραφίες και προδιαγραφές που παρέχονται με αυτό το ηλεκτρικό εργαλείο. Η μη τήρηση όλων των οδηγιών που αναγράφονται κατωτέρω μπορεί να καταλήξει σε ηλεκτροπληξία, πυρκαγιά ή/και σοβαρό τραυματισμό.

Φυλάξτε όλες τις προειδοποιήσεις και τις οδηγίες για μελλοντική παραπομπή.

Στις προειδοποιήσεις, ο όρος «ηλεκτρικό εργαλείο» αναφέρεται σε ηλεκτρικό εργαλείο που τροφοδοτείται από την κύρια παροχή ηλεκτρικού ρεύματος (με ηλεκτρικό καλώδιο) ή σε ηλεκτρικό εργαλείο που τροφοδοτείται από μπαταρία (χωρίς ηλεκτρικό καλώδιο).

Προειδοποιήσεις ασφαλείας του ρούτερ

1. Κρατάτε το ηλεκτρικό εργαλείο μόνο από τις μονωμένες επιφάνειες λαβής επειδή ο κόπτης μπορεί να έρθει σε επαφή με το δικό του καλώδιο. Σε περίπτωση που κοπεί ένα ηλεκτροφόρο καλώδιο, ενδέχεται τα εκτεθειμένα μεταλλικά εξαρτήματα του ηλεκτρικού εργαλείου να καταστούν τα ίδια ηλεκτροφόρα και να προκαλέσουν ηλεκτροπληξία στον χειριστή.
2. Να χρησιμοποιείτε σφικτήρες ή κάποιο άλλο πρακτικό μέσο για να ασφαλίσετε και να σταθερήσετε το τεμάχιο εργασίας σε μια σταθερή πλατφόρμα. Αν κρατάτε το τεμάχιο εργασίας με το χέρι σας ή επάνω στο σώμα σας, αυτό θα είναι ασταθές και μπορεί να χάσετε τον έλεγχο.
3. Το στέλεχος μύτης του κόπτη πρέπει να ταιριάζει με το σχεδιασμένο μηχανισμό σύσφιξης.
4. Να χρησιμοποιείτε μια μύτη με ονομαστική τιμή τουλάχιστον ίση με τη μέγιστη ταχύτητα που αναγράφεται στο εργαλείο.
5. Να φοράτε υποσπίδες κατά τη λειτουργία για μεγάλο χρονικό διάστημα.
6. Να χειρίζεστε τις φρέζες ρούτερ πολύ προσεκτικά.
7. Πριν από τη λειτουργία, ελέγξτε προσεκτικά τις φρέζες ρούτερ για ραγίσματα ή ζημιά. Αντικαταστήστε αμέσως μια ραγισμένη ή κατεστραμμένη φρέζα.
8. Να αποφεύγετε την κοπή καρφιών. Πριν από τη λειτουργία, να ελέγχετε αν υπάρχουν καρφιά στο τεμάχιο εργασίας και να τα αφαιρείτε όλα αν υπάρχουν.

9. Κρατήστε το εργαλείο σταθερά με τα δύο χέρια.
10. Μην πλησιάζετε τα χέρια σας σε περιστρεφόμενα μέρη.
11. Να βεβαιώνετε ότι η φρέζα ρούτερ δεν ακουμπά το τεμάχιο εργασίας πριν ενεργοποιείτε το διακόπτη λειτουργίας.
12. Πριν από τη χρήση του εργαλείου πάνω σε πραγματικό τεμάχιο εργασίας, αφήστε το σε λειτουργία για λίγο. Προσέξτε για δονήσεις ή κινήσεις που θα μπορούσαν να υποδείξουν τη λανθασμένη τοποθέτηση της φρέζας.
13. Να προσέχετε την κατεύθυνση περιστροφής και τροφοδοσίας της φρέζας ρούτερ.
14. Μην αφήνετε το εργαλείο σε λειτουργία. Το εργαλείο πρέπει να βρίσκεται σε λειτουργία μόνο όταν το κρατάτε.
15. Όταν σβήνετε το εργαλείο, πάντοτε να περιμένετε να σταματήσει να κινείται εντελώς η φρέζα ρούτερ πριν βγάξετε το εργαλείο από το τεμάχιο εργασίας.
16. Μην αγγίζετε τη φρέζα ρούτερ αμέσως μετά τη λειτουργία του εργαλείου. Μπορεί να είναι εξαιρετικά θερμή και να προκληθεί έγκαυμα στο δέρμα σας.
17. Μην αλείφετε απρόσεχτα τη βάση του εργαλείου με νέφτι, βενζίνη, λάδι ή κάτι παρόμοιο. Μπορεί να ραγίσει η βάση του εργαλείου.
18. Μερικά υλικά περιέχουν χημικά που μπορεί να είναι τοξικά. Προσέχετε ώστε να αποφεύγετε την εισπνοή σκόνης και την επαφή με το δέρμα. Ακολουθείτε τα δεδομένα ασφαλείας υλικού που παρέχονται από τον προμηθευτή.
19. Να χρησιμοποιείτε πάντοτε προσωπίδα κατά της σκόνης ή αναπνευστήρα που είναι κατάλληλος για το υλικό και την εφαρμογή σας.
20. Τοποθετήστε το εργαλείο σε σταθερή περιοχή. Διαφορετικά, μπορεί να συμβεί κάποιο ατύχημα πτώσης και να προκληθεί τραυματισμός.
21. Διατηρήστε το καλώδιο μακριά από το πόδι σας ή οποιαδήποτε αντικείμενα. Διαφορετικά, ένα μπλεγμένο καλώδιο μπορεί να προκαλέσει ατύχημα με πτώση και να έχει ως αποτέλεσμα προσωπικό τραυματισμό.

ΦΥΛΑΞΕΤΕ ΑΥΤΕΣ ΤΙΣ ΟΔΗΓΙΕΣ.

▲ ΠΡΟΕΙΔΟΠΟΙΗΣΗ: ΜΗΝ επιτρέψετε στην άνεση ή στην εξοικείωσή σας με το προϊόν (που αποκτήθηκε από επανειλημμένη χρήση) να αντικαταστήσει την αυστηρή τήρηση των κανόνων ασφαλείας του παρόντος εργαλείου. Η **ΛΑΝΘΑΣΜΕΝΗ ΧΡΗΣΗ** ή η αμέλεια να ακολουθήσετε τους κανόνες ασφαλείας που διατυπώνονται στο παρόν εγχειρίδιο οδηγιών μπορεί να προκαλέσει σοβαρό προσωπικό τραυματισμό.

ΠΕΡΙΓΡΑΦΗ ΛΕΙΤΟΥΡΓΙΑΣ

▲ ΠΡΟΣΟΧΗ: Να βεβαιώνετε πάντα ότι το εργαλείο είναι σβηστό και αποσυνδεδεμένο από την ηλεκτρική παροχή πριν ρυθμίσετε ή ελέγξετε κάποια λειτουργία του.

Ρύθμιση του βάθους κοπής

► **Εικ. 1:** 1. Μοχλός κλειδώματος 2. Ρυθμιστικό εξαγωνικό μπουλόνι 3. Ανασταλτικός τάκος 4. Λαβή ρύθμισης 5. Δείκτης βάθους 6. Ανασταλτική ράβδος 7. Παξιμάδι ρύθμισης ανασταλτικής ράβδου 8. Κουμπί ταχείας προώθησης

1. Τοποθετήστε το εργαλείο σε μια επίπεδη επιφάνεια. Χαλαρώστε το μοχλό κλειδώματος και χαμηλώστε το σώμα του εργαλείου μέχρι η φρέζα ρούτερ μόλις να αγγίζει την επίπεδη επιφάνεια. Σφίξτε το μοχλό κλειδώματος για να ασφαλίσετε το σώμα του εργαλείου.
2. Περιστρέψτε αριστερόστροφα το παξιμάδι ρύθμισης ανασταλτικής ράβδου. Χαμηλώστε την ανασταλτική ράβδο μέχρι να έρθει σε επαφή με το ρυθμιστικό εξαγωνικό μπουλόνι. Ευθυγραμμίστε το δείκτη βάθους με την ένδειξη «0» της διαβαθμισμένης κλίμακας. Το βάθος κοπής υποδεικνύεται στην κλίμακα από το δείκτη βάθους.
3. Ενώ πατάτε το κουμπί ταχείας προώθησης, ανυψώστε την ανασταλτική ράβδο έως ότου πετύχετε το βάθος κοπής που θέλετε. Μπορείτε να λάβετε λεπτές ρυθμίσεις βάθους εάν περιστρέψετε τη λαβή ρύθμισης (1 mm ανά στροφή).
4. Περιστρέφοντας δεξιόστροφα το παξιμάδι ρύθμισης ανασταλτικής ράβδου, μπορείτε να στερεώσετε σταθερά την ανασταλτική ράβδο.
5. Τώρα, μπορείτε να πετύχετε το προκαθορισμένο βάθος κοπής αν χαλαρώσετε τον μοχλό κλειδώματος και, στη συνέχεια, χαμηλώσετε το σώμα του εργαλείου μέχρι η ανασταλτική ράβδος να έρθει σε επαφή με το ρυθμιστικό εξαγωνικό μπουλόνι του ανασταλτικού τάκου.

Νάιλον παξιμάδι

▲ ΠΡΟΣΟΧΗ: Μη χαμηλώνετε το νάιλον παξιμάδι υπερβολικά. Η φρέζα ρούτερ θα προεξέχει επικίνδυνα.

Το άνω όριο του σώματος εργαλείου μπορεί να ρυθμιστεί αν περιστρέψετε το νάιλον παξιμάδι.

► **Εικ.2:** 1. Νάιλον παξιμάδι

Ανασταλτικός τάκος

▲ ΠΡΟΣΟΧΗ: Επειδή η υπερβολική κοπή μπορεί να προκαλέσει την υπερφόρτωση του μοτέρ ή τη δυσκολία στο χειρισμό του εργαλείου, το βάθος κοπής δεν θα πρέπει να είναι μεγαλύτερο από 15 mm ανά πέρασμα κατά την κοπή αλκακώσεων με φρέζα διαμέτρου 8 mm.

▲ ΠΡΟΣΟΧΗ: Όταν κόβετε αυλακώσεις με φρέζα διαμέτρου 20 mm, το βάθος κοπής δεν πρέπει να είναι μεγαλύτερο από 5 mm ανά πέρασμα.

▲ ΠΡΟΣΟΧΗ: Για λειτουργίες εξαιρετικά βαθιάς κοπής αλκακώσεων, πραγματοποιήστε δύο ή τρία πέρασματα με προοδευτικά πιο βαθιές ρυθμίσεις της φρέζας.

Επειδή ο ανασταλτικός τάκος διαθέτει τρία ρυθμιστικά εξαγωγικά μπουλόνια που ανυψώνουν ή χαμηλώνουν 0,8 mm ανά στροφή, μπορείτε εύκολα να επιτύχετε τρία διαφορετικά βάθη κοπής χωρίς την επαναρρυθμισμό της ανασταλτικής ράβδου.

► **Εικ.3:** 1. Ανασταλτική ράβδος 2. Ρυθμιστικό εξαγωγικό μπουλόνι 3. Ανασταλτικός τάκος

Ρυθμίστε το χαμηλότερο ρυθμιστικό εξαγωγικό μπουλόνι για να αποκτήσετε το μεγαλύτερο βάθος κοπής, ακολουθώντας τη μέθοδο «Ρύθμιση του βάθους κοπής».

Ρυθμίστε τα δύο υπόλοιπα ρυθμιστικά εξαγωγικά μπουλόνια για να αποκτήσετε πιο μικρό βάθος κοπής. Οι διαφορές στο ύψος αυτών των ρυθμιστικών εξαγωγικών μπουλονιών ισούνται με τις διαφορές στο βάθος κοπής. Για να ρυθμίσετε τα ρυθμιστικά εξαγωγικά μπουλόνια, περιστρέψτε τα ρυθμιστικά εξαγωγικά μπουλόνια με το κατασβίδι ή το κλειδί. Ο ανασταλτικός τάκος χρησιμοποιεί επίσης για την πραγματοποίηση τριών περασμάτων με προοδευτικά βαθύτερες ρυθμίσεις φρέζας κατά την κοπή βαθιών αυλακώσεων.

Δράση διακόπτη

▲ ΠΡΟΣΟΧΗ: Πριν από τη σύνδεση του εργαλείου στην ηλεκτρική παροχή, να ελέγχετε πάντα ότι η σκανδάλη διακόπτης ενεργοποιείται σωστά και επιστρέφει στη θέση «ανεργό» όταν την αφήνετε.

▲ ΠΡΟΣΟΧΗ: Βεβαιωθείτε ότι έχετε απελευθερώσει το κλειδί/μα άξονα πριν ενεργοποιήσετε το διακόπτη λειτουργίας.

Για να εμποδίσει το τυχαίο τράβηγμα της σκανδάλης διακόπτη, υπάρχει ένα κουμπί κλειδώματος.

► **Εικ.4:** 1. Κουμπί κλειδώματος 2. Σκανδάλη διακόπτη

Για να ξεκινήσετε τη λειτουργία του εργαλείου, πατήστε το κουμπί κλειδώματος και τραβήξτε τη σκανδάλη διακόπτη. Για διακοπή της λειτουργίας, ελευθερώστε τη σκανδάλη διακόπτη.

Για συνεχόμενη λειτουργία, πατήστε το κουμπί κλειδώματος περισσότερο ενώ τραβάτε τη σκανδάλη διακόπτη. Για να σταματήσετε το εργαλείο, τραβήξτε τη σκανδάλη διακόπτη με τρόπο ώστε το κουμπί κλειδώματος να επιστρέψει αυτόματα. Στη συνέχεια αφήστε τη σκανδάλη διακόπτη.

Αφού αφήσετε τη σκανδάλη διακόπτη, η λειτουργία ασφάλισης ενεργοποιείται για να εμποδίσει το τράβηγμα της σκανδάλης διακόπτη.

▲ ΠΡΟΣΟΧΗ: Κρατήστε σταθερά το εργαλείο όταν το σβήνετε για να ξεπεράσετε την αντίδραση.

Ηλεκτρονική λειτουργία

Το εργαλείο είναι εξοπλισμένο με ηλεκτρονικές λειτουργίες για εύκολη λειτουργία.

Ενδεικτική λυχνία

► **Εικ.5:** 1. Ενδεικτική λυχνία

Όταν το εργαλείο είναι συνδεδεμένο, ανάβει η ενδεικτική λυχνία με πράσινο χρώμα. Αν δεν ανάψει η ενδεικτική λυχνία, μπορεί να είναι ελαττωματικό το ηλεκτρικό καλώδιο ή ο ελεγκτής. Αν η ενδεικτική λυχνία είναι αναμμένη, αλλά το εργαλείο δεν ξεκινάει, ακόμα και αν είναι ενεργοποιημένο, μπορεί να έχουν φθαρεί τα καρβουνάκια ή να είναι ελαττωματικός ο ελεγκτής, το μοτέρ ή ο διακόπτης λειτουργίας.

Προστασία από αθέλητη επανεκκίνηση

Το εργαλείο δεν ξεκινάει όταν η σκανδάλη διακόπτης είναι τραβηγμένη ακόμη και όταν το εργαλείο είναι συνδεδεμένο.

Αυτή τη στιγμή, η ενδεικτική λυχνία αναβοσβήνει με κόκκινο χρώμα και δείχνει ότι η διάταξη προστασίας από αθέλητη επανεκκίνηση είναι ενεργοποιημένη.

Για να ακυρώσετε την προστασία από αθέλητη επανεκκίνηση, αφήστε τη σκανδάλη διακόπτη.

Χαρακτηριστικό ομαλής έναρξης

Το χαρακτηριστικό ομαλής εκκίνησης ελαχιστοποιεί τον κραδασμό κατά την εκκίνηση και καθιστά την εκκίνηση του εργαλείου ομαλή.

Έλεγχος σταθερής ταχύτητας

Μόνο για τα μοντέλα RP2302FC, RP2303FC

Μπορείτε να έχετε ένα κομψό αποτέλεσμα επειδή η ταχύτητα περιστροφής διατηρείται σταθερή ακόμα και υπό φορτωμένη κατάσταση.

Επιλογέας ρύθμισης ταχύτητας

Μόνο για τα μοντέλα RP2302FC, RP2303FC

▲ ΠΡΟΕΙΔΟΠΟΙΗΣΗ: Μην χρησιμοποιείτε τον επιλογέα ρύθμισης ταχύτητας κατά τη διάρκεια της λειτουργίας. Ο χειριστής μπορεί να ακουμπήσει τη φρέζα ρούτερ λόγω της δύναμης αντίδρασης. Αυτό μπορεί να έχει ως αποτέλεσμα ατομικό τραυματισμό.

ΕΙΔΟΠΟΙΗΣΗ: Αν το εργαλείο λειτουργεί συνεχόμενα σε χαμηλές ταχύτητες για μεγάλο χρονικό διάστημα, το μοτέρ θα υπερφορτωθεί και θα προκαλέσει δυσλειτουργία του εργαλείου.

ΕΙΔΟΠΟΙΗΣΗ: Ο επιλογέας ρύθμισης ταχύτητας μπορεί να γυρίσει μόνο μέχρι το 6 και πίσω στο 1. Μην τον γυρίζετε βεβιασμένα μετά το 6 ή το 1, επειδή μπορεί να χαλάσει η λειτουργία ρύθμισης ταχύτητας.

Η ταχύτητα εργαλείου μπορεί να αλλάξει αν γυρίσετε τον επιλογέα ρύθμισης ταχύτητας σε μια δεδομένη αριθμητική ρύθμιση από το 1 έως το 6.

► **Εικ.6:** 1. Επιλογέας ρύθμισης ταχύτητας

Λαμβάνεται υψηλότερη ταχύτητα όταν το καντράν περιστρέφεται προς την κατεύθυνση του αριθμού 6. Και επιτυγχάνεται χαμηλότερη ταχύτητα όταν το καντράν περιστρέφεται προς την κατεύθυνση του αριθμού 1. Αυτό επιτρέπει την επιλογή της ιδανικής ταχύτητας για βέλτιστη επεξεργασία υλικών, δηλαδή η ταχύτητα μπορεί να ρυθμιστεί σωστά για να ταιριάζει με το υλικό και τη διάμετρο φρέζας.

Ανατρέξτε στον πίνακα για τη σχέση μεταξύ των αριθμικών ρυθμίσεων στον επιλογέα και την κατά προσέγγιση ταχύτητα του εργαλείου.

Αριθμός	min ⁻¹
1	9.000
2	11.000
3	14.000
4	17.000
5	20.000
6	23.000

Άναμμα των λαμπών

Μόνο για τα μοντέλα RP1802F, RP1803F, RP2302FC, RP2303FC

ΠΡΟΣΟΧΗ: Μην κοιτάζετε κατευθείαν μέσα στο φως ή στην πηγή φωτός.

Τραβήξτε τη σκανδάλη διακόπτη για να ανάψετε το φως. Η λυχνία εξακολουθεί να είναι αναμμένη όσο τραβάτε τη σκανδάλη διακόπτη. Η λάμπα σβήνει περίπου 10 δευτερόλεπτα αφού αφήσετε τη σκανδάλη.

► **Εικ.7:** 1. Λάμπα

ΠΑΡΑΤΗΡΗΣΗ: Χρησιμοποιήστε ένα στεγνό πανί για να σκουπίσετε τη σκόνη από το φακό της λάμπας. Προσέχετε να μη γρατζουνίσετε το φακό της λάμπας, επειδή μπορεί να μειωθεί η ένταση του φωτισμού.

ΣΥΝΑΡΜΟΛΟΓΗΣΗ

ΠΡΟΣΟΧΗ: Να βεβαιώνετε πάντα ότι το εργαλείο είναι σβηστό και αποσυνδεδεμένο από την ηλεκτρική παροχή πριν εκτελέσετε οποιαδήποτε εργασία σε αυτό.

Τοποθέτηση ή αφαίρεση της φρέζας ρούτερ

ΠΡΟΣΟΧΗ: Τοποθετήστε τη φρέζα ρούτερ με ασφάλεια. Να χρησιμοποιείτε πάντα μόνο το κλειδί που παρέχεται με το εργαλείο. Μια χαλαρή ή υπερβολικά σφιγμένη φρέζα ρούτερ μπορεί να είναι επικίνδυνη.

ΕΙΔΟΠΟΙΗΣΗ: Μην σφίγγετε το παξιμάδι σύσφιξης χωρίς να έχετε εισάγει μια φρέζα ρούτερ και μην τοποθετείτε φρέζες μικρής διαμέτρου στελέχους χωρίς να χρησιμοποιήσετε περίβλημα σύσφιξης. Οποιοδήποτε από τα δύο μπορεί να οδηγήσει στο σπάσιμο του κώνου σύσφιξης.

1. Εισαγάγετε τη φρέζα ρούτερ μέχρι τέρμα μέσα στον κώνο σύσφιξης.

2. Πατήστε το κλειδίωμα άξονα για να παραμείνει ο άξονας ακίνητος και χρησιμοποιήστε το κλειδί για να σφίξετε καλά το παξιμάδι σύσφιξης. Όταν χρησιμοποιείτε φρέζες ρούτερ με μικρότερη διάμετρο άξονα, εισαγάγετε πρώτα το κατάλληλο περίβλημα σύσφιξης στον κώνο σύσφιξης και, στη συνέχεια, τοποθετήστε τη φρέζα ρούτερ.

► **Εικ.8:** 1. Κλειδίωμα άξονα 2. Κλειδί 3. Χαλαρώστε 4. Σφίξτε

Για να αφαιρέσετε τη φρέζα ρούτερ, ακολουθήστε τη διαδικασία τοποθέτησης με αντίστροφη σειρά.

ΛΕΙΤΟΥΡΓΙΑ

ΠΡΟΕΙΔΟΠΟΙΗΣΗ: Πριν τη λειτουργία, να βεβαιώνετε πάντα ότι η ανασταλτική ράβδος είναι καλά ασφαλισμένη με το παξιμάδι ρύθμισης ανασταλτικής ράβδου. Διαφορετικά, το βάθος κοπής μπορεί να αλλάξει κατά τη διάρκεια της λειτουργίας και να προκαλέσει προσωπικό τραυματισμό.

ΠΡΟΣΟΧΗ: Πριν από τη λειτουργία, πάντα να βεβαιώνετε ότι το σώμα του εργαλείου ανυψώνεται αυτόματα στο άνω όριο και ότι η φρέζα ρούτερ δεν προεξέχει από τη βάση εργαλείου όταν χαλαρώνεται ο μοχλός κλειδώματος.

ΠΡΟΣΟΧΗ: Να χρησιμοποιείτε πάντα και τις δύο λαβές και να κρατάτε καλά το εργαλείο από τις δύο λαβές κατά τη διάρκεια των εργασιών.

ΠΡΟΣΟΧΗ: Πριν από τη λειτουργία, πάντα να βεβαιώνετε ότι ο εκτροπέας θραυσμάτων είναι σωστά τοποθετημένος.

► **Εικ.9:** 1. Εκτροπέας θραυσμάτων

1. Τοποθετήστε τη βάση πάνω στο τεμάχιο εργασίας που πρόκειται να κοπεί χωρίς να έρχεται σε επαφή η φρέζα ρούτερ.

2. Ενεργοποιήστε το εργαλείο και περιμένετε έως ότου η φρέζα ρούτερ αποκτήσει την πλήρη ταχύτητά της.

3. Χαμηλώστε το σώμα του εργαλείου και μετακινήστε το εργαλείο προς τα εμπρός επάνω από την επιφάνεια του τεμαχίου εργασίας, διατηρώντας τη βάση ευθυγραμμισμένη και προχωρώντας ομαλά μέχρι την ολοκλήρωση της κοπής.

► **Εικ.10**

Όταν πραγματοποιείτε κοπές άκρων, η επιφάνεια του τεμαχίου εργασίας πρέπει να βρίσκεται στην αριστερή πλευρά της φρέζας ρούτερ προς την κατεύθυνση τροφοδοσίας.

► **Εικ.11:** 1. Τεμάχιο εργασίας 2. Κατεύθυνση περιστροφής φρέζας 3. Όψη από το επάνω μέρος του εργαλείου 4. Κατεύθυνση τροφοδοσίας

ΠΑΡΑΤΗΡΗΣΗ: Εάν μετακινείτε το εργαλείο προς τα εμπρός με πολύ μεγάλη ταχύτητα μπορεί να προκύψει κακή ποιότητα κοπής ή βλάβη στη φρέζα ρούτερ ή στο μοτέρ. Εάν μετακινείτε το εργαλείο προς τα εμπρός με πολύ μικρή ταχύτητα μπορεί να καεί ή να καταστραφεί η κοπή. Ο σωστός ρυθμός τροφοδοσίας εξαρτάται από το μέγεθος της φρέζας ρούτερ, το είδος του τεμαχίου εργασίας και το βάθος κοπής.

Πριν ξεκινήσετε την κοπή στο πραγματικό τεμάχιο εργασίας, συνιστούμε να πραγματοποιήσετε μια δοκιμαστική κοπή σε ένα παλιό κομμάτι ξύλου. Έτσι θα δείτε πώς ακριβώς θα μοιάζει η κοπή και θα μπορείτε να ελέγξετε και τις διαστάσεις.

ΠΑΡΑΤΗΡΗΣΗ: Όταν χρησιμοποιείτε τον ίσιο οδηγό ή τον οδηγό κουρευτικού περιθωρίων, βεβαιωθείτε να τον τοποθετήσετε στη δεξιά πλευρά προς την κατεύθυνση τροφοδοσίας. Αυτό θα βοηθήσει ώστε να μείνει ευθυγραμμισμένος με την πλευρά του τεμαχίου εργασίας.

- **Εικ.12:** 1. Κατεύθυνση τροφοδοσίας 2. Κατεύθυνση περιστροφής φρέζας 3. Τεμάχιο εργασίας 4. Ίσιος οδηγός

Ίσιος οδηγός

Ο ίσιος οδηγός χρησιμοποιείται αποτελεσματικά για ίσιες κοπές στις λειτουργίες στρογγυλέματος ή κατασκευής αυλακίων.

1. Τοποθετήστε τον ίσιο οδηγό στον υποδοχέα οδηγού χρησιμοποιώντας τη βίδα σύσφιξης (B). Εισάγετε τον υποδοχέα οδηγού στις οπές στη βάση εργαλείου και σφίξτε τη βίδα σύσφιξης (A). Για να ρυθμίσετε την απόσταση μεταξύ της φρέζας ρούτερ και του ίσιου οδηγού, χαλαρώστε τη βίδα σύσφιξης (B) και περιστρέψτε τη λεπτή ρυθμιστική βίδα (1,5 mm ανά στροφή). Στην επιθυμητή απόσταση, σφίξτε τη βίδα σύσφιξης (B) για να ασφαλιστείτε τον ίσιο οδηγό στη θέση του.

- **Εικ.13:** 1. Βίδα σύσφιξης (A) 2. Ίσιος οδηγός 3. Υποδοχέας οδηγού 4. Λεπτή ρυθμιστική βίδα 5. Βίδα σύσφιξης (B)

2. Κατά την κοπή, να μετακινείτε το εργαλείο με τον ίσιο οδηγό ευθυγραμμισμένο με την πλευρά του τεμαχίου εργασίας. Ένας πλατύτερος ίσιος οδηγός των επιθυμητών διαστάσεων μπορεί να φτιαχτεί χρησιμοποιώντας τις βολικές οπές στον οδηγό για να βιδωθούν επιπλέον κομμάτια ξύλου. Όταν χρησιμοποιείτε μια φρέζα ρούτερ με μεγάλη διάμετρο, συνδέστε κομμάτια ξύλου στον ίσιο οδηγό, τα οποία θα πρέπει να έχουν πάχος μεγαλύτερο από 15 mm (5/8") για να αποφεύγετε το κτύπημα της φρέζας ρούτερ στον ίσιο οδηγό.

- **Εικ.14:** 1. Ίσιος οδηγός 2. Ξύλο

A=55 mm (2-3/16")

B=55 mm (2-3/16")

C=15 mm (5/8") ή μεγαλύτερο πάχος

Εάν η απόσταση μεταξύ της πλευράς του τεμαχίου εργασίας και της θέσης κοπής είναι πολύ πλατιά για τον ίσιο οδηγό ή εάν η πλευρά του τεμαχίου εργασίας δεν είναι ευθεία, δεν μπορεί να χρησιμοποιηθεί ο ίσιος οδηγός. Σε αυτή την περίπτωση, στερεώστε καλά μια ίσια σανίδα στο τεμάχιο εργασίας και χρησιμοποιήστε την ως οδηγό δίπλα στη βάση. Τροφοδοτήστε το εργαλείο προς την κατεύθυνση του βέλους.

- **Εικ.15**

Ίσιος οδηγός λεπτής ρύθμισης

Προαιρετικό εξάρτημα

Εισαγάγετε τις δύο ράβδους στις εξωτερικές σχισμές προάρθρωσης του υποδοχέα οδηγού και ασφαλίστε τις σφίγγοντας με τις δύο βίδες σύσφιξης (B). Βεβαιωθείτε ότι η βίδα χειρός (A) είναι σφιγμένη, εισαγάγετε τις δύο ράβδους στη βάση και σφίξτε τις βίδες σύσφιξης (A).

- **Εικ.16:** 1. Βίδα σύσφιξης (B) 2. Βίδα χειρός (A) 3. Βίδα σύσφιξης (A)

Λειτουργία λεπτής ρύθμισης για την τοποθέτηση της λεπίδας σε σχέση με τον ίσιο οδηγό

- **Εικ.17:** 1. Βίδα χειρός (A) 2. Βίδα χειρός (B) 3. Δακτύλιος κλίμακας

1. Χαλαρώστε τη βίδα χειρός (A).
2. Περιστρέψτε τη βίδα χειρός (B) για να ρυθμίσετε τη θέση (μία στροφή ρυθμίζει τη θέση κατά 1 mm) όπως απαιτείται.
3. Σφίξτε τη βίδα χειρός (A) μέχρι να ασφαλίσει.

Ο δακτύλιος κλίμακας μπορεί να περιστραφεί ξεχωριστά, ώστε η μονάδα κλίμακας να μπορεί να ευθυγραμμιστεί στο μηδέν (0).

Ρύθμιση του πλάτους πέλματος οδηγού

Χαλαρώστε τις βίδες που επισημειώνονται με τους κύκλους για να μεταβάλετε το πλάτος του ίσιου οδηγού. Αφού μεταβάλετε το πλάτος, σφίξτε τις βίδες μέχρι να ασφαλισουν. Το εύρος μεταβολής του πλάτους πέλματος οδηγού είναι 280 mm έως 350 mm.

- **Εικ.18:** 1. Βίδα

Όταν είναι ρυθμισμένο στο ελάχιστο πλάτος ανοίγματος

- **Εικ.19**

Όταν είναι ρυθμισμένο στο μέγιστο πλάτος ανοίγματος

- **Εικ.20**

Οδηγός ιχναριού

Προαιρετικό εξάρτημα

Ο οδηγός ιχναριού παρέχει ένα περίβλημα μέσα από το οποίο περνάει η φρέζα ρούτερ, επιτρέποντας τη χρήση του ρούτερ με σχέδια του ιχναριού.

- **Εικ.21**

1. Τραβήξτε τον μοχλό πλάκας ασφαλίσης και εισαγάγετε τον οδηγό ιχναριού.

- **Εικ.22:** 1. Οδηγός ιχναριού 2. Μοχλός πλάκας ασφαλίσης

2. Ασφαλίστε το ιχναριό στο τεμάχιο εργασίας. Τοποθετήστε το εργαλείο στο ιχναριό και μετακινήστε το εργαλείο με τον οδηγό ιχναριού να ολισθαίνει κατά μήκος της πλευράς του ιχναριού.

- **Εικ.23:** 1. Φρέζα ρούτερ 2. Βάση 3. Πλάκα βάσης 4. Ιχναριό 5. Τεμάχιο εργασίας 6. Οδηγός ιχναριού

ΠΑΡΑΤΗΡΗΣΗ: Το τεμάχιο εργασίας θα κοπεί σε λίγο διαφορετικό μέγεθος από το ιχναρίο. Αφήστε μια απόσταση (X) μεταξύ της φρέζας ρούτερ και της εξωτερικής πλευράς του οδηγού ιχναρίου. Η απόσταση (X) μπορεί να υπολογιστεί με τη χρήση της παρακάτω εξίσωσης:

Απόσταση (X) = (εξωτερική διάμετρος του οδηγού ιχναρίου - διάμετρος φρέζας ρούτερ) / 2

Οδηγός κουρευτικού περιθωρίων

Προαιρετικό εξάρτημα

Κούρεμα περιθωρίων, κοψίματα καμπυλών σε καπλαμάδες επίπλων και παρόμοια υλικά μπορούν να γίνουν εύκολα με τον οδηγό κουρευτικού περιθωρίων. Ο κύλινδρος του οδηγού εφάπτεται επάνω στην καμπύλη και εξασφαλίζει ένα ωραίο κόψιμο.

► **Εικ.24:** 1. Οδηγός κουρευτικού περιθωρίων

Τοποθετήστε τον οδηγό κουρευτικού περιθωρίων στον υποδοχέα οδηγού χρησιμοποιώντας τη βίδα σύσφιξης (D). Εισάγετε τον υποδοχέα οδηγού στις οπές στη βάση εργαλείου και σφίξτε τη βίδα σύσφιξης (A). Για να ρυθμίσετε την απόσταση μεταξύ της φρέζας ρούτερ και του οδηγού κουρευτικού περιθωρίων, χαλαρώστε τη βίδα σύσφιξης (D) και περιστρέψτε τη λεπτή ρυθμιστική βίδα (1,5 mm ανά στροφή). Όταν ρυθμίζετε τον κύλινδρο οδηγού προς τα πάνω ή προς τα κάτω, χαλαρώστε τη βίδα σύσφιξης (C). Μετά τη ρύθμιση, σφίξτε καλά όλες τις βίδες σύσφιξης.

► **Εικ.25:** 1. Υποδοχέας οδηγού 2. Λεπτή ρυθμιστική βίδα 3. Βίδα σύσφιξης (D) 4. Βίδα σύσφιξης (C) 5. Κύλινδρος οδηγού 6. Βίδα σύσφιξης (A)

Κατά την κοπή, να μετακινείτε το εργαλείο με τον κύλινδρο οδηγού να εφάπτεται με την πλευρά του τεμαχίου εργασίας.

► **Εικ.26:** 1. Φρέζα ρούτερ 2. Κύλινδρος οδηγού 3. Τεμάχιο εργασίας

Σετ ακροφυσίου σκόνης

Χρησιμοποιήστε το ακροφύσιο σκόνης για την εξαγωγή σκόνης.

1. Τοποθετήστε το ακροφύσιο σκόνης στη βάση του εργαλείου χρησιμοποιώντας τη βίδα χειρός έτσι ώστε η προεξοχή στο ακροφύσιο σκόνης να ταιριάζει με την εγκοπή της βάσης του εργαλείου.

► **Εικ.27:** 1. Ακροφύσιο σκόνης 2. Βίδα χειρός

2. Συνδέστε την ηλεκτρική σκούπα με το ακροφύσιο σκόνης.

► **Εικ.28**

Τρόπος χρήσης της βίδας M6 x 135 για τη ρύθμιση του βάθους κοπής

Όταν χρησιμοποιείτε το εργαλείο με έναν πάγκο ρούτερ που διατίθεται στην αγορά, η χρήση αυτής της βίδας επιτρέπει σε έναν χειριστή να πραγματοποιεί μια μικρή ρύθμιση του βάθους κοπής από πάνω του πάγκου.

Εγκατάσταση της βίδας με ροδέλα στο εργαλείο

Εισαγάγετε τη βίδα με ροδέλα μέσα από την οπή βίδας στη βάση εργαλείου και, στη συνέχεια, βιδώστε το σπειροτομημένο τμήμα του βραχίονα μοτέρ του εργαλείου. Αυτή τη στιγμή, εφαρμόστε λίγο γράσο ή λιπαντικό στο εσωτερικό της οπής βίδας στη βάση εργαλείου και στο σπειροτομημένο τμήμα του βραχίονα μοτέρ.

► **Εικ.29:** 1. Επίπεδη ροδέλα 6 2. Βίδα M6 x 135

► **Εικ.30:** 1. Βίδα M6 x 135 σε οπή βίδας

► **Εικ.31:** 1. Βίδα M6 x 135 2. Σπειροτομημένο τμήμα του βραχίονα μοτέρ

Ρύθμιση του βάθους κοπής

1. Μπορείτε να πραγματοποιήσετε ένα μικρό βάθος κοπής αν περιστρέψετε αυτή τη βίδα με ένα καταβίδι από το πάνω μέρος του πάγκου. (1,0 mm ανά πλήρη στροφή)

2. Αν περιστρέψετε τη βίδα δεξιόστροφα, το βάθος κοπής γίνεται μεγαλύτερο και αν περιστρέψετε τη βίδα αριστερόστροφα, το βάθος κοπής γίνεται μικρότερο.

► **Εικ.32:** 1. Καταβίδι

ΣΥΝΤΗΡΗΣΗ

▲ ΠΡΟΣΟΧΗ: Να βεβαιώνετε πάντα ότι το εργαλείο είναι σβηστό και αποσυνδεδεμένο από την ηλεκτρική παροχή πριν εκτελέσετε οποιαδήποτε εργασία επιθεώρησης ή συντήρησης σε αυτό.

ΕΙΔΟΠΟΙΗΣΗ: Μην χρησιμοποιείτε ποτέ βενζίνη, πετρελαϊκό αιθέρα, διαλυτικό, αλκοόλη ή παρόμοιες ουσίες. Μπορεί να προκληθεί αποχρωματισμός, παραμόρφωση ή ρωγμές.

Για τη διατήρηση της ΑΣΦΑΛΕΙΑΣ και ΑΞΙΟΠΙΣΤΙΑΣ του προϊόντος, οι επισκευές και οποιαδήποτε άλλη εργασία συντήρησης ή ρύθμισης πρέπει να εκτελούνται από εξουσιοδοτημένα ή εργοστασιακά κέντρα εξυπηρέτησης της Makita, χρησιμοποιώντας πάντοτε ανταλλακτικά της Makita.

Αντικατάσταση καρβουνακίων

► Εικ.33: 1. Σημάδι ορίου

Να ελέγχετε τα καρβουνάκια τακτικά. Αντικαταστήστε τα όταν φθαρούν μέχρι το σημάδι ορίου. Διατηρείτε τα καρβουνάκια καθαρά και ελεύθερα να γλιστρούν στις θήκες. Και τα δύο καρβουνάκια πρέπει να αντικαθίστανται ταυτόχρονα. Χρησιμοποιείτε μόνο καρβουνάκια ίδιου τύπου.

1. Χρησιμοποιήστε ένα κατσαβίδι για να αφαιρέσετε τα καπάκια των θηκών καρβουνακίων.

2. Αφαιρέστε τα φθαρμένα καρβουνάκια, τοποθετήστε τα καινούρια και ασφαλίστε τα καπάκια των θηκών καρβουνακίων.

► Εικ.34: 1. Καπάκι θήκης καρβουνακίου

Μόνο για τα μοντέλα RP1803, RP1803F, RP2303FC

Μετά την αντικατάσταση των καρβουνακίων, βάλτε το ηλεκτρικό καλώδιο του εργαλείου στην πρίζα και στρώστε τα καρβουνάκια αφήνοντας το εργαλείο σε λειτουργία χωρίς φορτίο για περίπου 10 λεπτά. Στη συνέχεια, ελέγξτε το εργαλείο ενώ λειτουργεί και ελέγξτε τη λειτουργία του ηλεκτρικού φρένου όταν αφήνετε τη σκανδάλη διακόπτη.

Αν το ηλεκτρικό φρένο δεν λειτουργεί καλά, ζητήστε επίσκεψη από το τοπικό σας κέντρο εξυπηρέτησης της Makita.

ΠΡΟΑΙΡΕΤΙΚΑ ΕΞΑΡΤΗΜΑΤΑ

▲ ΠΡΟΣΟΧΗ: Αυτά τα εξαρτήματα ή προσαρτήματα συνιστώνται για χρήση με το εργαλείο Makita που περιγράφηκε στις οδηγίες αυτές. Η χρήση οποιωνδήποτε άλλων εξαρτημάτων ή προσαρτημάτων μπορεί να προκαλέσει κίνδυνο τραυματισμού σε άτομα. Να χρησιμοποιείτε τα εξαρτήματα ή προσαρτήματα μόνο για την χρήση που προορίζονται.

Εάν χρειάζεστε οποιαδήποτε βοήθεια για περισσότερες πληροφορίες σε σχέση με αυτά τα εξαρτήματα, αποτανθείτε στο τοπικό σας κέντρο εξυπηρέτησης Makita.

- Φρέζες σχηματισμού ίσιων γραμμών και αυλακίων
- Φρέζες σχηματισμού άκρων
- Φρέζες περικοπής φύλλων
- Ίσιος οδηγός
- Οδηγός κουρευτικού περιθωρίων
- Υποδοχέας οδηγού
- Οδηγοί ιχναρίου
- Προσαρμογέας οδηγού ιχναρίου
- Παξιμάδι ασφάλισης
- Κώνος σύσφιξης
- Περιβλημα σύσφιξης
- Κλειδί
- Σετ ακροφυσίου σκόνης

ΠΑΡΑΤΗΡΗΣΗ: Μερικά στοιχεία στη λίστα μπορεί να συμπεριλαμβάνονται στη συσκευασία εργαλείου ως στάνταρ εξαρτήματα. Μπορεί να διαφέρουν ανάλογα με τη χώρα.

Φρέζες ρούτερ

Ευθεία φρέζα

► Εικ.35

Μονάδα:mm

D	A	L1	L2
6	20	50	15
1/4"			
12	12	60	30
1/2"			
12	10	60	25
1/2"			
8	8	60	25
6	8	50	18
1/4"	6	50	18
6			
1/4"			

Φρέζα αυλάκωσης σε σχήμα «U»

► Εικ.36

Μονάδα:mm

D	A	L1	L2	R
6	6	50	18	3

Φρέζα αυλάκωσης σε σχήμα «V»

► Εικ.37

Μονάδα:mm

D	A	L1	L2	θ
1/4"	20	50	15	90°

Φρέζα επίπεδης κοπής στο σημείο διάνοιξης

► Εικ.38

Μονάδα:mm

D	A	L1	L2	L3
12	12	60	20	35
8	8	60	20	35
6	6	60	18	28

Φρέζα διπλής επίπεδης κοπής στο σημείο διάνοιξης

► Εικ.39

Μονάδα:mm

D	A	L1	L2	L3	L4
6	6	70	40	12	14

Φρέζα ένωσης της σανίδας

► Εικ.40

Μονάδα:mm

D	A1	A2	L1	L2	L3
12	38	27	61	4	20

Φρέζα στρογγύλευσης γωνιών

► Εικ.41

Μονάδα:mm

D	A1	A2	L1	L2	L3	R
6	25	9	48	13	5	8
6	20	8	45	10	4	4

Φρέζα λοξότμησης

► Εικ.42

Μονάδα:mm

D	A	L1	L2	L3	θ
6	23	46	11	6	30°
6	20	50	13	5	45°
6	20	49	14	2	60°

Φρέζα για κοιλώματα

► Εικ.43

Μονάδα:mm

D	A	L1	L2	R
6	20	43	8	4
6	25	48	13	8

Φρέζα επίπεδης κοπής με σφαιρικό έδρανο

► Εικ.44

Μονάδα:mm

D	A	L1	L2
6	10	50	20
1/4"			

Φρέζα στρογγύλευσης γωνιών με σφαιρικό έδρανο

► Εικ.45

Μονάδα:mm

D	A1	A2	L1	L2	L3	R
6	15	8	37	7	3,5	3
6	21	8	40	10	3,5	6
1/4"	21	8	40	10	3,5	6

Φρέζα λοξότμησης με σφαιρικό έδρανο

► Εικ.46

Μονάδα:mm

D	A1	A2	L1	L2	θ
6	26	8	42	12	45°
1/4"					
6	20	8	41	11	60°

Φρέζα για αυλάκωμα με σφαιρικό έδρανο

► Εικ.47

Μονάδα:mm

D	A1	A2	A3	L1	L2	L3	R
6	20	12	8	40	10	5,5	4
6	26	12	8	42	12	4,5	7

Φρέζα για κοιλώματα με σφαιρικό έδρανο

► Εικ.48

Μονάδα:mm

D	A1	A2	A3	A4	L1	L2	L3	R
6	20	18	12	8	40	10	5,5	3
6	26	22	12	8	42	12	5	5

Φρέζα για ρωμαϊκό οξυκόρυφο τόξο με σφαιρικό έδρανο

► Εικ.49

Μονάδα:mm

D	A1	A2	L1	L2	L3	R1	R2
6	20	8	40	10	4,5	2,5	4,5
6	26	8	42	12	4,5	3	6

TEKNİK ÖZELLİKLER

Model:	RP1802	RP1802F	RP1803	RP1803F	RP2302FC	RP2303FC
Halka mandren kapasitesi	12 mm veya 1/2"					
Dalma kapasitesi	0 - 70 mm					
Yüksüz hız	23.000 min ⁻¹		22.000 min ⁻¹		9.000 - 23.000 min ⁻¹	
Toplam yükseklik	312 mm				327 mm	
Net ağırlık	6,2 kg					
Emniyet sınıfı	□/II					
Lamba	-	✓	-		✓	
Hız ayarlama kadranı					✓	
Elektrikli fren	-		✓		-	✓

- Sürekli yapılan araştırma ve geliştirmelerden dolayı, burada belirtilen özellikler önceden bildirimeksizin değiştirilebilir.
- Özellikler ülkeden ülkeye değişebilir.
- EPTA-Prosedürü 01/2014 uyarınca ağırlık

Kullanım amacı

Bu alet tahta, plastik ve benzeri malzemelerde havşa ve profil açmak amacıyla tasarlanmıştır.

Güç kaynağı

Aletin, yalnızca isim levhasında belirtilenle aynı voltajlı güç kaynağına bağlanması gerekir ve yalnızca tek fazlı AC güç kaynağıyla çalıştırılabilir. Çifte yalıtımlıdır ve topraklamasız prizlerle de kullanılabilir.

Gürültü

Tipik A-ağırlıklı gürültü düzeyi (EN62841-2-17 standardına göre belirlenen):

Model RP1802

Ses basınç seviyesi (L_{pa}): 85 dB (A)
Ses gücü düzeyi (L_{WA}): 96 dB (A)
Belirsizlik (K): 3 dB (A)

Model RP1802F

Ses basınç seviyesi (L_{pa}): 85 dB (A)
Ses gücü düzeyi (L_{WA}): 96 dB (A)
Belirsizlik (K): 3 dB (A)

Model RP1803

Ses basınç seviyesi (L_{pa}): 85 dB (A)
Ses gücü düzeyi (L_{WA}): 96 dB (A)
Belirsizlik (K): 3 dB (A)

Model RP1803F

Ses basınç seviyesi (L_{pa}): 85 dB (A)
Ses gücü düzeyi (L_{WA}): 99 dB (A)
Belirsizlik (K): 3 dB (A)

Model RP2302FC

Ses basınç seviyesi (L_{pa}): 88 dB (A)
Ses gücü düzeyi (L_{WA}): 99 dB (A)
Belirsizlik (K): 3 dB (A)

Model RP2303FC

Ses basınç seviyesi (L_{pa}): 88 dB (A)
Ses gücü düzeyi (L_{WA}): 99 dB (A)
Belirsizlik (K): 3 dB (A)

NOT: Beyan edilen gürültü emisyonu değer(ler)i bir standart test yöntemine uygun şekilde ölçülmüştür ve bir aleti bir başkasıyla karşılaştırmak için kullanılabılır.

NOT: Beyan edilen gürültü emisyonu değer(ler)i bir ön maruz kalma değerlendirmesi olarak da kullanılabılır.

UYARI: Kulak koruyucuları takın.

UYARI: Elektrikli aletin gerçek kullanımı sırasındaki gürültü emisyonu, aletin kullanım biçimlerine, özellikle işlenen iş parçasının türüne bağlı olarak beyan edilen değer(ler)den farklı olabilir.

UYARI: Gerçek kullanım koşullarındaki tahmini maruziyeti baz alan, operatörü koruyacak güvenlik önlemlerini mutlaka belirleyin (çalışma döngüsü içerisinde aletin kapalı olduğu ve aktif durumda olmasının yanı sıra boşta çalıştığı zamanlar gibi, bütün zaman dilimleri göz önünde bulundurarak).

Titreşim

Titreşim toplam değeri (üç eksenli vektör toplamı) (EN62841-2-17 standardına göre hesaplanan):

Model RP1802

Çalışma modu: MDF'de oluk kesme
Titreşim emisyonu (a_h): 5,1 m/s²
Belirsizlik (K): 1,5 m/s²

Model RP1802F

Çalışma modu: MDF'de oluk kesme
Titreşim emisyonu (a_h): 5,1 m/s²
Belirsizlik (K): 1,5 m/s²

Model RP1803

Çalışma modu: MDF'de oluk kesme
Titreşim emisyonu (a_h): 5,1 m/s²
Belirsizlik (K): 1,5 m/s²

Model RP1803F

Çalışma modu: MDF'de oluk kesme
Titreşim emisyonu (a_h): 5,1 m/s²
Belirsizlik (K): 1,5 m/s²

Model RP2302FC

Çalışma modu: MDF'de oluk kesme

Titreşim emisyonu (a_h): 4,2 m/s²

Belirsizlik (K) : 1,5 m/s²

Model RP2303FC

Çalışma modu: MDF'de oluk kesme

Titreşim emisyonu (a_h): 4,2 m/s²

Belirsizlik (K) : 1,5 m/s²

NOT: Beyan edilen titreşim toplam değer(ler)i bir standart test yöntemine uygun şekilde ölçülmüştür ve bir aleti bir başkasıyla karşılaştırmak için kullanılabilir.

NOT: Beyan edilen titreşim toplam değer(ler)i bir ön maruz kalma değerlendirmesi olarak da kullanılabilir.

UYARI: Elektrikli aletin gerçek kullanımı sırasındaki titreşim emisyonu, aletin kullanım biçimlerine, özellikle işlenen iş parçasının türüne bağlı olarak beyan edilen değer(ler)den farklı olabilir.

UYARI: Gerçek kullanım koşullarındaki tahmini maruziyeti baz alan, operatörü koruyacak güvenlik önlemlerini mutlaka belirleyin (çalışma döngüsü içerisinde aletin kapalı olduğu ve aktif durumda olmasının yanı sıra boşta çalıştığı zamanlar gibi, bütün zaman dilimleri göz önünde bulundurarak).

EC Uygunluk Beyanı

Sadece Avrupa ülkeleri için

EC uygunluk beyanı bu kullanım kılavuzuna Ek A olarak eklenmiştir.

GÜVENLİK UYARILARI

Genel elektrikli alet güvenliği uyarıları

UYARI: Bu elektrikli aletle birlikte sunulan tüm güvenlik uyarılarını, talimatları, çizimleri ve teknik özellikleri okuyun. Aşağıda verilen talimatlara uyulmaması elektrik şoku, yangın ve/veya ciddi yaralanmalar ile sonuçlanabilir.

Tüm uyarıları ve talimatları ile-ride başvurmak için saklayın.

Uyarılardaki "elektrikli alet" terimi ile ya prizden çalışan (kordonlu) elektrikli aletiniz ya da kendi aküsü ile çalışan (kordsuz) elektrikli aletiniz kastedilmektedir.

Freze güvenlik uyarıları

1. Kesici, kendi kablosuna temas edebileceğinden elektrikli aleti yalnızca yalıtımlı saplarından tutun. "Akımlı" bir telin kesilmesi elektrikli aletin yalıtımsız metal kısımlarını "akımlı" hale getirebilir ve kullanıcıyı elektrik şokuna maruz bırakabilir.
2. İş parçasını sabit bir platforma bağlamak ve desteklemek için mengene veya başka bir pratik yol kullanın. İş parçasını elle tutmak ya da vücudunuzla desteklemek sabit durmasına ve kontrolü kaybetmenize neden olabilir.

3. Kesici uç sapı tasarlanmış halka mandrene uymalıdır.
4. Uçun nominal hızı en azından, aletin üstünde belirtilen maksimum hıza eşit olmalıdır.
5. Uzun süreli kullanımlarda kulak koruyucu kullanın.
6. Freze uçlarını dikkatle tutun.
7. İşleme başlamadan önce, çatlak veya hasara karşı freze ucunu dikkatlice kontrol edin. Çatlamış veya hasar görmüş ucu derhal değiştirin.
8. Çivileri kesmekten kaçının. İşlemeden önce iş parçasının üzerinde çivi olup olmadığını kontrol edin ve varsa hepsini çıkarın.
9. Aleti iki elle sıkıca tutun.
10. Ellerinizi dönen parçalardan uzak tutun.
11. Anahtar açılmadan önce freze ucunun iş parçasına temas etmediğinden emin olun.
12. Aleti gerçek bir iş parçası üzerinde kullanmadan önce bir süre boşta çalıştırın. Uçun yanlış takıldığını gösterebilecek titreşim ve sallantılar olup olmadığına dikkat edin.
13. Freze ucunun dönüş yönüne ve besleme yönüne dikkat edin.
14. Aleti çalışır durumda bırakmayın. Aleti sadece elinizde tutarken çalıştırın.
15. Aleti iş parçasından çekmeden önce daima anahtarı kapatın ve freze ucunun tamamen durmasını bekleyin.
16. Freze ucuna işlemden hemen sonra ellemeyin; çok sıcak olup derinizi yakabilir.
17. Dikkatsizlik sonucu alet kaidesine tiner, benzin, yağ ve benzeri maddelerin bulaşmasını önleyin. Bunlar alet kaidesinde çatlaklar oluşmasına neden olabilir.
18. Bazı malzemeler zehirli olabilen kimyasallar içerir. Toz tutmayı ve cilt temasını önlemek için tedbir alın. Malzeme sağlayıcısının güvenlik bilgilerine uyun.
19. Daima çalıştığınız malzeme ve yaptığınız işe uygun maske/respiratör kullanın.
20. Aleti dengeli bir alana koyun. Aksi takdirde düşme kazası meydana gelebilir ve yaralanmaya neden olabilir.
21. Kabloyu ayağınızdan veya diğer nesnelere uzak tutun. Takılan bir kablo düşme kazasına neden olabilir ve yaralanmaya yol açabilir.

BU TALİMATLARI MUHAFAZA EDİNİZ.

UYARI: Ürünü kullanırken (defalarca kullanınca kazanılan) rahatlık ve tanıdıklık duygusunun ilgili ürünün güvenlik kurallarına sıkı sıkıya bağlı kalmanın yerine geçmesine İZİN VERMEYİN. YANLIŞ KULLANIM veya bu kullanma kılavuzunda belirtilen emniyet kurallarına uymama ciddi yaralanmaya neden olabilir.

İŞLEVSEL NİTELİKLER

⚠ DİKKAT: Alet üzerinde ayarlama ya da işleyiş kontrolü yapmadan önce aletin kapalı ve fişinin çekili olduğundan daima emin olun.

Kesim derinliğinin ayarlanması

► **Şek.1:** 1. Kilitleme kolu 2. Altıgen ayar cıvatası 3. Durdurucu blok 4. Ayar düğmesi 5. Derinlik imleci 6. Derinlik dayanağı 7. Durdurucu çubuk ayar somunu 8. Hızlı besleme düğmesi

1. Aleti düz bir yüzeye yerleştirin. Kilitleme kolunu gevşetin ve freze ucu düz yüzeye hafif temas edene kadar aletin gövdesini indirin. Aletin gövdesini kilitlemek için kilitleme kolunu sıkın.
2. Durdurucu çubuk ayar somununu saatin aksi yönünde çevirin. Derinlik dayanağını, altıgen ayar cıvatası ile temas edene dek indirin. Derinlik imlecini "0" taksimatı ile hizalayın. Kesme derinliği derinlik imleci tarafından ölçek üzerinde gösterilir.
3. Hızlı besleme düğmesine basarken istenen kesme derinliği elde edilene dek derinlik dayanağını kaldırın. Ayar düğmesi çevirilerek hassas derinlik ayarı yapılabilir (her tur 1 mm).
4. Durdurucu çubuk ayar somununu saat yönünde çevirerek derinlik dayanağını sıkıca sabitleyebilirsiniz.
5. Şimdi kilitleme kolu gevşetilerek ve ardından derinlik dayanağı, durdurucu bloğun altıgen ayar cıvatasına temas edene dek aletin gövdesi indirilerek, önce- den belirlenen kesme derinliğiniz elde edilebilir.

Naylon somun

⚠ DİKKAT: Naylon somunu çok aşağı indirmeyin. Freze ucu tehlikeli bir şekilde dışarı çıkar.

Alet gövdesinin üst limiti naylon somun döndürülerek ayarlanabilir.

► **Şek.2:** 1. Naylon somun

Durdurucu blok

⚠ DİKKAT: Aşırı kesme motorun fazla yüklenmesine veya aletin kontrolünde güçlüğü neden olacağı için, 8 mm çaplı bir uçla oluk açarken kesim derinliği bir geçişte 15 mm'den fazla olmamalıdır.

⚠ DİKKAT: 20 mm çaplı bir uçla oluk açarken kesim derinliği bir geçişte 5 mm'den fazla olmamalıdır.

⚠ DİKKAT: Daha derin oluk kesme işlemleri için, gittikçe artan derinlikteki uç ayarlarıyla iki veya üç geçiş yapın.

Durdurucu blok tur başına 0,8 mm çıkan veya inen üç adet altıgen ayar cıvatasına sahip olduğu için, derinlik dayanağını yeniden ayarlamadan üç farklı kesim derinliğini kolayca elde edebilirsiniz.

► **Şek.3:** 1. Derinlik dayanağı 2. Altıgen ayar cıvatası 3. Durdurucu blok

"Kesim derinliğinin ayarlanması" yöntemini izleyerek, en derin kesim derinliğini elde etmek için en alçak altıgen ayar cıvatasını ayarlayın.

Daha sık kesim derinlikleri elde etmek için diğer iki altıgen ayar cıvatasını ayarlayın. Bu altıgen ayar cıvatalarının yükseklik farkı kesim derinliklerinin farkına eşittir. Altıgen ayar cıvatalarını ayarlamak için altıgen ayar cıvatalarını bir tornavida veya anahtarla çevirin. Durdurucu blok, derin oluk açma sırasında gittikçe derinleşen uç ayarlarıyla üç geçiş yapmak için de uygundur.

Anahtarın işleyişi

⚠ DİKKAT: Aleti fişe takmadan önce, anahtar tetiğinin düzgün çalıştığından ve bırakıldığında "KAPALI" pozisyona döndüğünden emin olmak için mutlaka kontrol edin.

⚠ DİKKAT: Anahtar açılmadan önce mil kilidinin serbest bırakıldığından emin olun.

Anahtar tetiğinin kazara çekilmesini önlemek için, bir kilitleme düğmesi sunulmuştur.

► **Şek.4:** 1. Kilitleme düğmesi 2. Anahtar tetik

Aleti başlatmak için, kilitleme düğmesine bastırın ve anahtar tetiği çekin. Durdurmak için anahtar tetiği bırakın.

Sürekli çalıştırma için, anahtar tetiği çekerken kilitleme düğmesine biraz daha bastırın.

Aleti durdurmak için kilitleme düğmesinin otomatik olarak geri dönmesi için anahtar tetiği çekin. Daha sonra anahtar tetiği bırakın.

Anahtar tetiği bıraktıktan sonra anahtar tetiğinin çekilmesini önlemek için güvenlik kilidi işlevi çalışır.

⚠ DİKKAT: Aleti kapatırken oluşacak tepkiyi önlemek için aleti sıkıca tutun.

Elektronik fonksiyonu

Alet kolay kullanım için elektronik fonksiyonlarla donatılmıştır.

Gösterge lambası

► **Şek.5:** 1. Gösterge lambası

Alet fişe takıldığında gösterge lambası yeşil renkte yanar. Gösterge lambası yanmıyorsa, ana kablo veya kontrolör hasarlı olabilir. Gösterge lambası yanıyor fakat alet açık konumda olduğu halde çalışmaya başlamıyorsa; karbon fırçalar aşınmış ya da kontrolör, motor veya AÇMA/KAPAMA anahtarları hasarlı olabilir.

İstenmeyen yeniden başlatma koruması

Anahtar tetik çekili durumda aletin fişi takılsa da alet çalışmaya başlamaz.

Bu sırada gösterge lambası kırmızı renkte yanıp sönerken istenmeyen yeniden başlatma koruma aygıtının çalışmakta olduğunu gösterir.

İstenmeyen yeniden başlatma korumasını iptal etmek için anahtar tetiği bırakın.

Yumuşak başlatma özelliği

Yumuşak başlatma özelliği başlatma şokunu en alt düzeye indirir ve aletin daha sarsıntısız başlamasını sağlar.

Sabit devir kontrolü

Sadece model RP2302FC, RP2303FC için

Yükü koşulda bile dönüş hızı sabit kaldığı için iyi bir finiş elde etmek mümkün olur.

Hız ayarlama kadranı

Sadece model RP2302FC, RP2303FC için

⚠UYARI: Hız ayarlama kadranını alet çalışırken kullanmayın. Tepme kuvveti nedeniyle freze ucu operatöre dokunabilir. Bu da yaralanmaya neden olabilir.

ÖNEMLİ NOT: Alet uzun süre devamlı düşük hızlarda çalıştırılırsa, motor aşırı yüklenir ve aletin bozulmasına neden olur.

ÖNEMLİ NOT: Hız ayarlama kadranı en fazla 6'ya kadar ve geriye 1'e kadar çevrilebilir. 6'yı veya 1'i geçirmeye zorlamayın, aksi takdirde hız ayarlama işlevi artık çalışmayabilir.

Hız ayarlama kadranı işaretlenmiş 1 ila 6 rakamları arasında çevrilerek aletin hızı değiştirilebilir.

► **Şek.6:** 1. Hız ayarlama kadranı

Kadran 6 rakamı yönünde döndürüldüğünde hız artar. Ve kadran 1 rakamı yönünde döndürüldüğünde hız düşer.

Bu da optimum malzeme işleme için ideal hızın seçilmesini sağlar, başka bir ifade ile hız, malzeme ve uç çapına uyacak şekilde doğru olarak ayarlanabilir. Kadran üzerindeki rakam ayarlarıyla yaklaşık alet hızı arasındaki ilişki için tabloya bakın.

Rakam	min ⁻¹
1	9.000
2	11.000
3	14.000
4	17.000
5	20.000
6	23.000

Lambaların yakılması

Sadece model RP1802F, RP1803F, RP2302FC, RP2303FC için

⚠DİKKAT: Işığa bakmayın ya da ışık kaynağını doğrudan görmeyin.

İşığı açmak için anahtar tetiği çekin. Anahtar tetik çekilirken lamba yanmaya devam eder. Tetik bırakıldıktan yaklaşık 10 saniye sonra lamba söner.

► **Şek.7:** 1. Lamba

NOT: Lamba lensini temizlemek için kuru bir bez kullanın. Aydınlatmayı azaltacağı için lamba lensinin çizilmemesine dikkat edin.

MONTAJ

⚠DİKKAT: Alet üzerinde herhangi bir iş yapmadan önce aletin kapalı ve fişinin çekili olduğundan daima emin olun.

Freze ucunun takılması veya çıkarılması

⚠DİKKAT: Freze ucunu sağlam bir şekilde takın. Her zaman sadece aletle birlikte verilen anahtar kullanın. Gevşek veya fazla sıkı bir freze ucu tehlikeli olabilir.

ÖNEMLİ NOT: Tutucu pens somununu, freze ucunu takmadan sıkmayın ya da küçük milli uçları bir tutucu pens manşonu kullanmadan takmayın. Her ikisi de tutucu pens kovanının kırılmasına yol açabilir.

1. Freze ucunu tutucu pens kovanına sonuna kadar sokun.
2. Mili sabit tutmak için mil kilidine bastırın ve tutucu pens somununu iyice sıkmak için anahtar kullanın. Daha küçük mil çapına sahip freze uçlarını kullanırken, önce uygun tutucu pens manşonunu tutucu pens kovanının içine yerleştirin, ardından freze ucunu takın.
► **Şek.8:** 1. Mil kilidi 2. Anahtar 3. Gevşet 4. Sıkıla

Freze ucunu çıkarmak için, takma prosedürünü tersinden izleyin.

KULLANIM

⚠UYARI: Çalıştırmadan önce derinlik dayanağının durdurucu çubuk ayar somunu ile iyice sabitlendiğinden mutlaka emin olun. Aksi takdirde çalışma sırasında kesme derinliği değişebilir ve yaralanmaya neden olabilir.

⚠DİKKAT: İşlemden önce, alet gövdesinin otomatik olarak üst limite çıktığından ve kilitleme kolu gevşetildiğinde freze ucunun alet kaidesinden dışarı çıkmadığından emin olun.

⚠DİKKAT: Çalışma sırasında her zaman her iki tutamağı kullanın ve aleti her iki tutamaktan sıkıca tutun.

⚠DİKKAT: Kullanmadan önce, talaş tutucunun doğru bir şekilde takıldığından daima emin olun.

► **Şek.9:** 1. Talaş tutucu

1. Freze ucunu temas ettirmeyerek kaideyi kesilecek iş parçasının üzerine yerleştirin.
2. Aleti çalıştırın ve freze ucu tam hıza ulaşana kadar bekleyin.

3. Aletin gövdesini indirin ve kesim tamamlanana kadar kaideyi dayalı tutup yavaşça ilerleterek aleti iş parçasının yüzeyi üzerinde ileri doğru hareket ettirin.
▶ **Şek.10**

Kenar kesme sırasında, iş parçasının yüzeyi besleme yönünde freze ucunun sol tarafında kalmalıdır.

- ▶ **Şek.11:** 1. İş parçası 2. Uç dönme yönü 3. Aletin üstten görünümü 4. Besleme yönü

NOT: Aleti ileriye doğru çok hızlı hareket ettirmek kötü bir kesim kalitesine neden olabilir, freze ucuna ya da motora zarar verebilir. Aleti çok yavaş ilerletmek ise yanma ya da şekil bozukluğuna neden olabilir. Uygun besleme hızı; freze ucunun boyutuna, iş parçasının türüne ve kesim derinliğine bağlı olarak değişir.

İş parçası üzerinde kesme işlemine başlamadan önce bir parça hurda kereste üzerinde bir deneme kesimi yapılması tavsiye edilir. Böylece kesimin tam olarak nasıl görüneceğini görebilir ve boyutları kontrol edebilirsiniz.

NOT: Düz kılavuz veya şekil verme kılavuzu kullanırken, bunları besleme yönünün sağ tarafına taktığınızdan emin olun. Bu, iş parçasının yan kısmı ile aynı hizada çalışmayı sağlar.

- ▶ **Şek.12:** 1. Besleme yönü 2. Uç dönme yönü 3. İş parçası 4. Düz kılavuz

Düz kılavuz

Düz kılavuz, yiv açma veya oluk açma sırasında düz kesim için etkin bir şekilde kullanılır.

1. Düz kılavuzu kılavuz tutucuya sabitleme vidasını (B) kullanarak takın. Kılavuz tutucuyu alet kaidesindeki deliklere geçirin ve sabitleme vidasını (A) sıkın. Freze ucu ile düz kılavuz arasındaki mesafeyi ayarlamak için, sabitleme vidasını (B) gevşetin ve ince ayar vidasını döndürün (tur başına 1,5 mm). İstenilen mesafede sabitleme vidasını (B) sıkarak düz kılavuzu yerine sabitleyin.
▶ **Şek.13:** 1. Sabitleme vidası (A) 2. Düz kılavuz 3. Kılavuz tutucu 4. İnce ayar vidası 5. Sabitleme vidası (B)

2. Kesim sırasında, aleti düz kılavuzla birlikte iş parçasının kenarı ile aynı hizada olacak şekilde hareket ettirin.

İlave tahta parçaları takmak için kılavuzda yer alan uygun delikler kullanılarak istenen boyutlarda daha geniş bir düz kılavuz yapılabilir.

Geniş çaplı bir freze ucu kullanırken, freze ucunun düz kılavuzu çarpmasını önlemek için 15 mm'den (5/8") daha kalın tahta parçalarını düz kılavuzla monte edin.

- ▶ **Şek.14:** 1. Düz kılavuz 2. Tahta

A=55 mm (2-3/16")

B=55 mm (2-3/16")

C=15 mm (5/8") veya daha kalın

İş parçasının kenarı ile kesme pozisyonu arasındaki mesafe, düz kılavuz için çok genişse veya iş parçasının kenarı düz değilse, düz kılavuz kullanılamaz. Bu durumda, iş parçasına düz bir tahta parçasını işkence-lerle sıkıca sabitleyin ve bunu kaideye dayamak için bir kılavuz olarak kullanın. Aleti ok yönünde besleyin.

- ▶ **Şek.15**

İnce ayarlı düz kılavuz

İsteğe bağlı aksesuar

Kılavuz tutucunun dış montaj kanallarına iki çubuk sokun ve bunları iki sabitleme vidasını (B) sıkarak sabitleyin. Kelebek somunun (A) sıkıldığından emin olarak iki çubuğu kaideye sokun ve sabitleme vidalarını (A) sıkın.

- ▶ **Şek.16:** 1. Sabitleme vidası (B) 2. Kelebek somun (A) 3. Sabitleme vidası (A)

Bıçağı düz kılavuzla göre konumlandırma ince ayar fonksiyonu

- ▶ **Şek.17:** 1. Kelebek somun (A) 2. Kelebek somun (B) 3. Ölçek bileziği

- Kelebek somunu (A) gevşetin.
- Konumu ayarlamak için kelebek somunu (B) gerektiği kadar çevirin (bir tur konumu 1 mm ayarlar).
- Kelebek somunu (A) sabitlenene kadar sıkın.

Ölçek bileziği ayrı olarak döndürülebilir, böylece ölçek birimi sıfıra (0) hizalanabilir.

Kılavuz pabuç genişliğini ayarlama

Düz kılavuzun genişliğini değiştirmek için daire içine alınmış vidaları gevşetin. Genişliği değiştirdikten sonra vidaları sabitlenene kadar sıkın. Kılavuz pabuç genişliğini değiştirme aralığı 280 mm ile 350 mm'dir.

- ▶ **Şek.18:** 1. Vida

Minimum açıklık genişliğine ayarlandığında

- ▶ **Şek.19**

Maksimum açıklık genişliğine ayarlandığında

- ▶ **Şek.20**

Şablon kılavuzu

İsteğe bağlı aksesuar

Şablon kılavuzu, freze ucunun içinden geçtiği bir manşon sunarak frezenin şablon modellerle kullanılmasını sağlar.

- ▶ **Şek.21**

- Kilitleme plakası kolunu çekin ve şablon kılavuzunu takın.
▶ **Şek.22:** 1. Şablon kılavuzu 2. Kilitleme plakası kolu
- Şablonu iş parçasına tespit edin. Aleti şablona yerleştirin ve şablon kılavuzu şablon tarafında kaydırılacak şekilde aleti hareket ettirin.
▶ **Şek.23:** 1. Freze ucu 2. Kaide 3. Kaide plakası 4. Şablon 5. İş parçası 6. Şablon kılavuzu

NOT: İş parçası şablondan az bir miktar farklı ölçülerde kesilecektir. Freze ucu ile şablon kılavuzunun dışı arasında mesafe (X) bırakın. Bu mesafe (X) aşağıdaki denklem kullanılarak hesaplanabilir:

Mesafe (X) = (şablon kılavuzunun dış çapı - freze ucunun çapı) / 2

Şekil verme kılavuzu

İsteğe bağlı aksesuar

Mobilyalar için şekil verme, cilalı yüzeylerde eğimli kesimler yapma ve benzeri işlemler şekil verme kılavuzu ile kolayca yapılır. Kılavuz silindirin eğrinin düzgün ilerlemesini sağlayarak hassas bir kesim yapılmasını garantiler.

► **Şek.24:** 1. Şekil verme kılavuzu

Şekil verme kılavuzunu kılavuz tutucuya sabitleme vidasını (D) kullanarak takın. Kılavuz tutucuyu alet kaidesindeki deliklere geçirin ve sabitleme vidasını (A) sıkın. Freze ucu ile şekil verme kılavuzu arasındaki mesafeyi ayarlamak için, sabitleme vidasını (D) gevşetin ve ince ayar vidasını döndürün (tur başına 1,5 mm). Kılavuz silindiri yukarı veya aşağı ayarlarken, sabitleme vidasını (C) gevşetin. Ayarlamadan ardından, tüm sabitleme vidalarını iyice sıkın.

► **Şek.25:** 1. Kılavuz tutucu 2. İnce ayar vidası 3. Sabitleme vidası (D) 4. Sabitleme vidası (C) 5. Kılavuz silindir 6. Sabitleme vidası (A)

Kesim sırasında, aleti kılavuz silindir iş parçasının kenarına binecek şekilde hareket ettirin.

► **Şek.26:** 1. Freze ucu 2. Kılavuz silindir 3. İş parçası

Toz toplama başlığı setleri

Toz çekme için toz toplama başlığını kullanın.

1. Toz toplama başlığını, kelebek somunu kullanarak toz toplama başlığı üzerindeki çıkıntı alet kaidesindeki çentiğe oturacak şekilde alet kaidesi üzerine yerleştirin.
► **Şek.27:** 1. Toz toplama başlığı 2. Kelebek somun

2. Toz toplama başlığına bir elektrikli süpürge bağlayın.

► **Şek.28**

Kesme derinliği ayarlamak için M6 x 135 vidayı kullanma

Aleti piyasada mevcut bir freze tezgahı ile kullanırken bu vidanın kullanılması, operatörün tezgahın üzerinden küçük bir miktar kesme derinliği ayarı elde etmesini sağlar.

Pulla birlikte vidayı alete takma

Pulla birlikte vidayı alet kaidesi üzerindeki vida deliğinden geçirin ve ardından aletin motor braketinin dış açılmış kısmına vidalayın. Bu esnada alet kaidesi üzerindeki vida deliğinin içine ve motor braketinin dış açılmış kısmına bir miktar gres veya yağlama yağı sürün.

► **Şek.29:** 1. Düz pul 6 2. Vida M6 x 135

► **Şek.30:** 1. Vida deliğindeki vida M6 x 135

► **Şek.31:** 1. Vida M6 x 135 2. Motor braketinin dış açılmış kısmı

Kesme derinliğini ayarlama

1. Tezgahın üst kısmından bir tornavida ile bu vida çevrilerek küçük bir miktar kesme derinliği elde edilebilir. (tam tur başına 1,0 mm)

2. Vidanın saat yönünde çevrilmesi kesme derinliğini artırırken vidanın saatin aksi yönünde çevrilmesi kesme derinliği azaltır.

► **Şek.32:** 1. Tornavida

BAKIM

⚠DİKKAT: Muayene ya da bakım yapmadan önce aletin kapalı ve fişinin çekili olduğundan daima emin olun.

ÖNEMLİ NOT: Benzin, tiner, alkol ve benzeri maddeleri kesinlikle kullanmayın. Renk değişimi, deformasyon veya çatlaklar oluşabilir.

Aleti EMNİYETLİ ve ÇALIŞMAYA HAZIR durumda tutmak için onarımlar, başka her türlü bakım ve ayarlamalar daima Makita yedek parçaları kullanılarak Makita yetkili servis merkezleri veya Fabrikanın Servis Merkezleri tarafından yapılmalıdır.

Karbon fırçaların değiştirilmesi

► **Şek.33:** 1. Sınır işareti

Karbon fırçaları düzenli olarak kontrol edin. Sınır işaretine kadar yıprandıkları zaman değiştirin. Karbon fırçaların temiz ve yuvaları içinde serbestçe kayar durumda kalmalarını sağlayın. Her iki karbon fırça aynı zamanda değiştirilmelidir. Sadece birbirinin aynısı olan karbon fırçaları kullanın.

1. Fırça tutucu kapaklarını çıkarmak için bir tornavida kullanın.

2. Aşınmış karbon fırçalarını çıkarıp yenilerini takın ve fırça tutucu kapaklarını sabitleyin.

► **Şek.34:** 1. Fırça tutucu kapağı

Sadece model RP1803, RP1803F, RP2303FC için

Fırçaları değiştirdikten sonra aletin fişini prize takın ve aleti yüksüz yaklaşık 10 dakika çalıştırarak fırçaları alıştırın. Daha sonra alet çalışırken ve anahtar tetik bırakıldığında elektrikli frenin çalışmasını kontrol edin. Elektrikli fren düzgün çalışmıyorsa yerel Makita servisi-nize tamir ettirin.

İSTEĞE BAĞLI AKSESUARLAR

⚠ DİKKAT: Bu aksesuarlar ve ek parçalar bu el kitabında belirtilen Makita aletiniz ile kullanılmak için tavsiye edilmektedir. Herhangi başka bir aksesuar ya da ek parça kullanılması insanlar için bir yaralanma riski getirebilir. Aksesuarları ya da ek parçaları yalnızca belirtilmiş olan kullanım amaçlarına uygun olarak kullanın.

Bu aksesuarlarla ilgili daha fazla bilgiye ihtiyaç duyarsanız bulunduğunuz yerdeki yetkili Makita servisine başvurun.

- Düz kesim ve oluk açma uçları
- Kenar şekillendirme uçları
- Laminat kesme uçları
- Düz kılavuz
- Şekil verme kılavuzu
- Kılavuz tutucu
- Şablon kılavuzları
- Şablon kılavuzu adaptörü
- Kilit somunu
- Tutucu pens kovani
- Tutucu pens manşonu
- Anahtar
- Toz toplama başlığı seti

NOT: Listedeki parçaların bazıları alet paketi içerisinde standart aksesuar olarak dahil edilmiş olabilir. Bunlar ülkeden ülkeye farklılık gösterebilir.

Freze uçları

Düz uç

► Şek.35

Birim:mm

D	A	L1	L2
6	20	50	15
1/4"			
12			
12	12	60	30
1/2"			
12	10	60	25
1/2"			
8	8	60	25
6	8	50	18
1/4"			
6			
6	6	50	18
1/4"			

“U” Oyma ucu

► Şek.36

Birim:mm

D	A	L1	L2	R
6	6	50	18	3

“V” Oyma ucu

► Şek.37

Birim:mm

D	A	L1	L2	θ
1/4"	20	50	15	90°

Matkap başlı havşa ucu

► Şek.38

Birim:mm

D	A	L1	L2	L3
12	12	60	20	35
8	8	60	20	35
6	6	60	18	28

Matkap başlı çifte havşa ucu

► Şek.39

Birim:mm

D	A	L1	L2	L3	L4
6	6	70	40	12	14

Levha ekleme ucu

► Şek.40

Birim:mm

D	A1	A2	L1	L2	L3
12	38	27	61	4	20

Köşe yuvarlama ucu

► Şek.41

Birim:mm

D	A1	A2	L1	L2	L3	R
6	25	9	48	13	5	8
6	20	8	45	10	4	4

Yiv açma ucu

► Şek.42

Birim:mm

D	A	L1	L2	L3	θ
6	23	46	11	6	30°
6	20	50	13	5	45°
6	20	49	14	2	60°

Çukur köşebent ucu

► Şek.43

Birim:mm

D	A	L1	L2	R
6	20	43	8	4
6	25	48	13	8

Rulmanlı havşa ucu

► Şek.44

Birim:mm

D	A	L1	L2
6	10	50	20
1/4"			

Rulmanlı köşe yuvarlama ucu

► Şek.45

Birim:mm

D	A1	A2	L1	L2	L3	R
6	15	8	37	7	3,5	3
6	21	8	40	10	3,5	6
1/4"	21	8	40	10	3,5	6

Rulmanlı yiv açma ucu

► Şek.46

Birim:mm

D	A1	A2	L1	L2	θ
6	26	8	42	12	45°
1/4"					
6	20	8	41	11	60°

Rulmanlı köşebent ucu

► Şek.47

Birim:mm

D	A1	A2	A3	L1	L2	L3	R
6	20	12	8	40	10	5,5	4
6	26	12	8	42	12	4,5	7

Rulmanlı çukur köşebent ucu

► Şek.48

Birim:mm

D	A1	A2	A3	A4	L1	L2	L3	R
6	20	18	12	8	40	10	5,5	3
6	26	22	12	8	42	12	5	5

Rulmanlı romen deveboynu uç

► Şek.49

Birim:mm

D	A1	A2	L1	L2	L3	R1	R2
6	20	8	40	10	4,5	2,5	4,5
6	26	8	42	12	4,5	3	6

Makita Europe N.V. Jan-Baptist Vinkstraat 2,
3070 Kortenberg, Belgium

Makita Corporation 3-11-8, Sumiyoshi-cho,
Anjo, Aichi 446-8502 Japan

www.makita.com

885917B993 EN, FR, DE, IT, NL, ES, PT, DA, EL, TR 20211030
