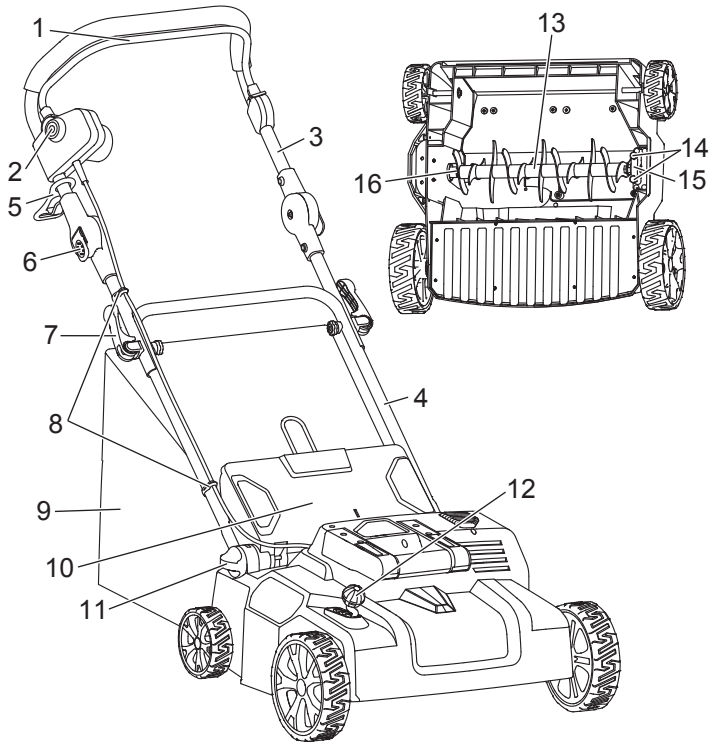
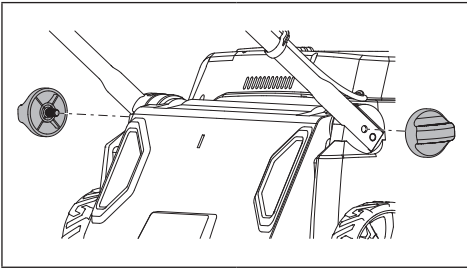


| | | |
|------------|------------------------------------|--|
| GB | Electric Scarifier | Original Instruction Manual |
| F | Scarificateur Electrique | Manuel d'instructions original |
| D | Elektro-Vertikutierer | Original-Bedienungsanleitung |
| I | Scarificatore elettrico | Manuale di istruzioni originale |
| NL | Elektrische cultivator | Oorspronkelijke instructiehandleiding |
| E | Escarificadora Eléctrica | Manual de instrucciones original |
| P | Arejador de Solo Eléctrico | Manual de Instruções Originais |
| DK | Elektrisk opriver | Original brugsanvisning |
| GR | Ηλεκτρικός εκχερσωτής | Πρωτότυπο εγχειρίδιο οδηγιών |
| TR | Elektrikli Çim Havalandırma | Orijinal Kullanım Kılavuzu |
| S | Elektrisk vertikalskärare | Originalbruksanvisning |
| N | Elektrisk harve | Original instruksjonshåndbok |
| FIN | Sähkökarhi | Alkuperäinen käyttöohje |
| LV | Elektriskais skarifikators | Tulkojums no rokasgrāmatas oriģinālvalodā |
| LT | Elektrinis aeratorius | Originali naudojimo instrukcija |
| EE | Elektriline kobestaja | Tõlgitud kasutusjuhend |
| PL | Wertykulator Elektryczny | Oryginalna instrukcja obsługi |
| HU | Elektromos gypszelőztető | Eredeti kezelői kézikönyv |
| SK | Elektrický skarifikátor | Pôvodný návod na obsluhu |
| CZ | Elektrický kultivátor | Původní návod k použití |
| SI | Električni rahljalnik | Prevod originalnih navodil za uporabo |
| AL | Shkrifërues Elektrik | Manuali origjinal i përdorimit |
| BG | Електрически култиватор | Превод на ръководството за експлоатация |
| HR | Električni skarifikator | Originalni priručnik s uputama za uporabu |
| MK | Електричен скарифikator | Оригинално упатство за работа |
| RO | Scarificator electric | Manual de instrucțiuni original |
| RS | Електрични вертикулатор | Оригинално упутство |
| RUS | Электрический Скарифikator | Оригинальная инструкция по эксплуатации |
| UA | Електричний скарифikator | Оригинальний посібник з експлуатації |

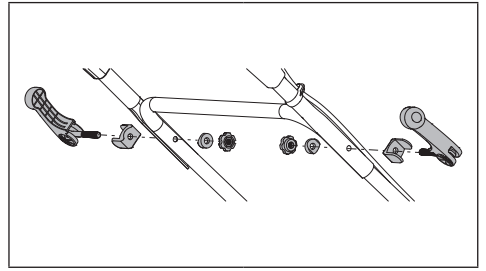




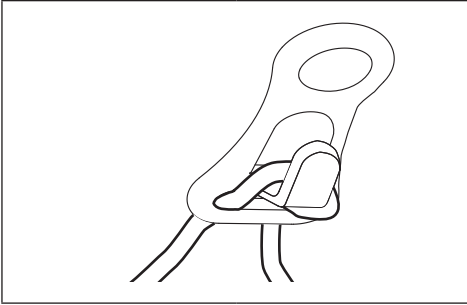
1



2



3



4

WARNING: This appliance can be used by children aged from 8 years and above and persons with reduced physical, sensory or mental capabilities or lack of experience and knowledge if they have been given supervision or instruction concerning use of the appliance in a safe way and understand the hazards involved. Children shall not play with the appliance. Cleaning and user maintenance shall not be made by children without supervision.

DESIGNATION OF PARTS (Fig. 1)

- | | | |
|-----------------------|-----------------------------|----------------------------|
| 1. Start/stop lever | 7. Lever | 13. Cutting tool |
| 2. Lock-off button | 8. Clip (x2) | 14. Bolt and spring washer |
| 3. Upper handle bar | 9. Grass catcher | 15. Bearing |
| 4. Lower handle bar | 10. Deflector guard | 16. Drive shaft |
| 5. Cord strain relief | 11. Knob | |
| 6. Handle clamp | 12. Height adjustment lever | |

TECHNICAL DATA

| | |
|--|---|
| Model name | UV3600 |
| Voltage | 230-240V |
| Frequency | 50Hz |
| Rated input power | 1800W |
| Net weight | 15.3 kg |
| No load speed | 3500 min ⁻¹ |
| Maximum cutting width | 360 mm |
| Work height range | 4 steps (-10/-5/0/5 mm) |
| Grass catcher volume | 40L |
| Protection class | IPX4 |
| Sound pressure level | 81.24dB(A), K=2.50dB(A) |
| Sound pressure level at operator's ear | 85.5dB(A), K=2.50dB(A) |
| Measured sound power level | 99.53dB(A), K=4.50dB(A) |
| Guaranteed sound power level | 104dB(A) |
| Vibration | 4.673m/s ² , K=1.5m/s ² |

SYMBOLS

The following show the symbols used for the machine. Be sure that you understand their meaning before use.



• Read instruction manual.



• Double insulation.



• Wear protective gloves.



• Take particular care and attention.



- Wear sturdy boots with non-slip soles.



- Wear eye and ear protection.



- Wait until all the machine parts stop completely.



- Pay attention to sharp cutting tools.



- Switch off the motor and unplug before cleaning or maintenance, or if power cable is damaged.



- Objects may be thrown out at high speed.



- Keep safe distance between bystanders or pets and working area.



- Do not expose to rain or moisture.



- Remove plug from the mains immediately if power cable is damaged or cut.



- Risk of electrical shock.



- Keep the cord away from the cutting tools or wheels.



- Only for EU countries
Do not dispose of electric equipment together with household waste material!

In observance of the European Directive, on Waste Electric and Electronic Equipment and its implementation in accordance with national law, electric equipment that have reached the end of their life must be collected separately and returned to an environmentally compatible recycling facility.

SAFETY WARNINGS

**READ CAREFULLY BEFORE USE
KEEP INSTRUCTION MANUAL FOR FUTURE REFERENCE**



- Do not start to operate the machine until you have read these operating instructions. Observe all the instructions given, and install the machine as described.

Intended use of the machine

- This machine is intended for scarifying or raking in gardens.
- The scarifier is intended for private use only, and not for commercial use. Do not use it in public places either.

For public low-voltage distribution systems of between 220 V and 250 V.

Switching operations of electric apparatus cause voltage fluctuations. The operation of this device under unfavorable mains conditions can have adverse effects to the operation of other equipment. With a mains impedance equal or less than 0.412 Ohms it can be presumed that there will be no negative effects. The mains socket used for this device must be protected with a fuse or protective circuit breaker having slow tripping characteristics.

General Instructions

- Read this instruction manual to become familiar with handling of the machine. Handling the machine by the users insufficiently informed increases the risk of fire, electric shock, or personal injury to themselves as well as the others.
- Do not lend the machine to people who have unproven to be experienced.
- When lending the machine, always attach this instruction manual.
- The machine is not intended for use by persons with reduced physical, sensory or mental capabilities, or lack of experience and knowledge. Young children should be supervised to ensure that they do not play with the machine.

- Operate only if you are in good physical condition. Perform all work calmly and carefully. The user is responsible for all safety of persons and damages around the operating area.
- Never use this machine after consumption of alcohol or drugs, or if feeling tired or ill.
- Take a rest to prevent loss of control caused by fatigue. We recommend taking a 10 to 20-minute rest every hour.
- Use the machine in accordance with these instructions, considering the working conditions and the application. Unintended use of the machine could result in a hazardous situation.
- National or local regulation can restrict the handling of the machine.
- Stay alert. Watch what you are doing. Use common sense. Do not operate machine when you are tired.

Personal protective equipment

- Dress Properly. The clothing worn should be functional and appropriate, i.e. it should be tight-fitting but not cause hindrance. Do not wear either jewelry or clothing which could become entangled in to machine. Wear protecting hair covering to contain long hair.
- Always wear ear protections to avoid hearing loss.

- Wear protective glasses or goggles to protect eyes from flying objects and debris.
- Wear protective gloves to prevent injury to fingers.
- Wear dust mask to reduce the risk of injury.
- When using the machine, always wear sturdy shoes with a non-slip sole. This protects against injuries and ensures a good footing.
- While operating the machine, always wear substantial footwear and long trousers. Do not operate the machine when barefoot or wearing open sandals.

Work area safety

- Keep children and bystanders, including animals, away while operating the machine.
- Check the work area whether there are no stones, wires, glass, or other foreign objects. Foreign object may be caught up or flung by the machine, result in damage or injury.
- Operate the machine under good visibility and daylight conditions only. Do not operate the machine in darkness or fog.
- Do not operate machine in explosive atmospheres, such as in the presence of flammable liquids, gases or dust. The machine creates sparks which may ignite the dust or fumes.
- Do not expose the machine to rain or wet conditions. Water entering

the machine may increase the risk of electric shock.

Starting up the machine

- Before connect the plug or switch on the machine:
 - Check the plug and cord and confirm that they are good condition.
 - Check all the screws, nuts and other fasteners are properly secured.
 - Check cutting tools are in place and good working condition.
 - Check guards and safe devices, such as deflectors or grass catcher, function well.
 - Check the air vents are not covered by dust or other foreign materials. Clean them with a soft brush or cloth if they are blocked.
 - Replace damaged or unreadable labels.
 - Check all the parts of the machine carefully to determine if it operates properly and performs its intended function. Especially, never use the machine if the switch does not work normally.
 - Make sure the switch is off side to prevent unintentional start.
 - Check all tools for maintenance, such as adjusting wrench or spanner are removed.

- If the supply cord is damaged, ask Makita authorized service center to replace it, always use genuine replacement parts.
- Never use the machine if safety device, such as deflector guard or grass catcher, is damaged or missing.
- When turning on the motor:
 - Keep your feet away from the cutting tools.
 - Do not tilt the machine.
 - Do not stand in front of the discharge opening.
 - Never let your hands or other part of the body or clothing place near moving parts.
- Never use damaged cord.
- Keep the cord and extension cable away from cutting tools and wheels. Cutting tools may damage the cable and cause electric shock.
- When using the machine outdoors, always use a residual current-operated circuit-breaker (RCD) with an operating current of 30 mA or less.
- Use only extension cable for outdoor use with splash-proofed connector. Its cross-section must be at least 1.5mm² for cable lengths up to 25m, and 2.5 mm² for cable lengths over 25m.
- The machine should be connected only to a power supply of the same voltage as indicated on the nameplate, and can only be operated on single-phase AC supply. They are double-insulated in accordance with European Standard and can, therefore, also be used from sockets without earth wire.
- Avoid body contact with earthed or grounded surfaces (e.g. pipes, radiators, ranges, refrigerators).

Electrical safety

- Check the connector plug on the machine fits into the socket before use.
- Never modify the connector plug.
- Do not abuse the cord. Never use the cord for carrying, pulling or unplugging the machine. Keep cord away from heat, oil, sharp edges or moving parts. Damaged or entangled cords increase the risk of electric shock.
- Check the extension cable regularly for damage to the insulation. Replace it if damaged.
- If the connecting cable is damaged, withdraw the mains plug immediately. A damaged cable may cause contact with live parts and electric shock.

Operation

- Avoid operating on wet grass. Take particular attention when working on wet grass to prevent slipping.
- Hold the handle firmly with both hands during operation. Keep the handle dry and clean to prevent accidents.

- Do not run. Only walk during operation.
- Pay particular attention to your footings when working on a slope.
- Do not work straight up or down on a slope. Always work along horizontal line.
- Be especially careful when turning the machine on a slope.
- Never work on a steep slope.
- Pay extreme attention when reversing or pulling the machine towards you.
- Do not overreach. Keep proper footing and balance at all times. This enables better control of the machine in unexpected situations.
- Always remember:
 - Keep your feet away from the cutting tools.
 - Do not tilt the machine.
 - Do not stand in front of the discharge opening.
 - Never let your hands or other part of the body or clothing place near moving parts.
- Do not force the machine. It does the job better and safer at the rate for which it was designed. Frequent overload may cause motor damage or fire.
- Switch off the motor and unplug:
 - Whenever leaving the machine unattended
 - Before clearing a blockage or any fault
 - Before checking, cleaning or working on the machine
- Before making any adjustments, changing accessories or storing
- When the machine hits a foreign object. Wait until the machine cools down. Inspect the machine and replace the parts if needed before continuing operation
- Whenever the machine starts vibrating or making noise unusually
- When attaching or removing grass catcher
- When someone enters your working area
- When crossing surface other than grass
- When transporting.
- Stop the cutting tool:
 - If you have to tilt the machine
 - When crossing surfaces other than grass
 - Transporting the machine to and from surfaces to be worked.
- Pay attention to the cutting tools. They do not stop immediately after switch off.

Maintenance instructions

- Have your machine serviced by our authorized service center, always using only genuine replacement parts. Incorrect repair and poor maintenance can shorten the life of the machine and increase the risk of accidents.

- Inspect the machine on regular base.
 - Before servicing, inspection, adjustment, storage, or to change an accessory, take following steps:
 - Shut off the power source
 - Disconnect the machine from power supply
 - Make sure that all moving parts have come to a complete stop
 - Allow the machine to cool.
 - Inspect on the machine for possible damage:
 - Whether safety devices works properly for its intended function
 - Whether all the moving parts work smoothly and adequately
 - Whether all parts are not damaged and properly installed
 - Check the cutting tool for any damage, worn or unbalance
 - Check the grass catcher regularly for any damage or worn
 - Check all the nuts, bolts and screws are tight
 - Replace or repair by our authorized service center if there are any damaged or worn parts.
 - Do not carry out maintenance or repair work other than that described in this instruction manual. Any other work must be carried out by Makita authorized service center.
 - Only use original Makita replacement parts and accessories intended for your machine. Otherwise it may result in personal injury or damage on the machine.
 - Store the machine in a dry room. Keep it out of reach of children. Never store the machine outdoors.
- Vibration**
- People with poor circulation who are exposed to excessive vibration may experience injury to blood vessels or the nervous system. Vibration may cause the following symptoms to occur in the fingers, hands or wrists: "Falling asleep" (numbness), tingling, pain, stabbing sensation, alteration of skin color or of the skin. If any of these symptoms occur, see a physician.
 - To reduce the risk of "white finger disease", keep your hands warm during operation and well maintain the equipment and accessories.
- ⚠ WARNING:**
- This machine produces an electromagnetic field during operation. It is recommended that persons with medical implants should consult their doctors and implant manufacturers before using this machine. Otherwise the electromagnetic field may affect medical implants and it may result in serious injury.
- ASSEMBLY**
- ⚠ CAUTION:**
- Always be sure that the machine is switched off and unplugged before carrying out any work on the tool.
- Assembling the handle bar (Fig. 2, 3)**
- 1) Fasten the lower handle bar (4) to the machine with the knobs (11).
 - 2) Place the upper handle bar (3) onto the lower handle bar, and then fasten them with two spacers, nut, and the lever (7).
 - 3) Fasten the cord with the clips (8) onto the handle bar.

Assembling the grass catcher

⚠ CAUTION:

- Do not operate the machine without grass catcher. Otherwise ejected object may cause injury.
- For rear discharge appliances with exposed rear rollers, when used without a catcher, full eye protection shall be worn.

NOTE:

- The performance of the machine reduces when the grass catcher is full. Empty the grass catcher on regular basis before it becomes completely full.

Installing the grass catcher

Pull up the deflector guard (10) and hold it. Insert hooks on the grass catcher into the grooves on the machine.

Removing the grass catcher

Pull up the deflector guard (10) and hold it. Remove the grass catcher by releasing the hooks from the grooves on the machine.

Cord strain relief (Fig. 4)

The cord strain relief (5) helps to prevent the cord from entangling into the blade or wheel.

Make a small loop at the end of the mains cord, and pass it through the opening of the cord strain relief, and then hang it on the hook.

Always take the position of the cord into consideration during operation. Start your operation from the nearest point to the power supply to prevent the cord from accidentally cut. It is recommended keeping the cord over your shoulder during the operation.

Removing or installing cutting tool

⚠ CAUTION:

- Wear protective gloves.
- Pay particular attention when handling cutting tool. It is very sharp and may become hot during operation.
- Always use appropriate cutting tool in accordance with your operation.
- Before operation, make sure two bolts, which hold the cutting tool onto the machine, are firmly tightened. Do not use the machine if it is loose or missing. If it is damaged, replace it immediately.

Removing cutting tool

- 1) Remove the grass catcher (9).
- 2) Remove the handle from the machine.
- 3) Place the machine upside down on a flat surface.
- 4) Loosen the two bolts (14). Remove them and spring washers.
- 5) Lift the bearing part of the cutting tool (15), and then pull the cutting tool (13) out from the drive shaft (16).

Installing the cutting tool

- 1) Insert the cutting tool by sliding its hex nut part into the socket of driving shaft.
- 2) Fasten the bearing part to the machine by the bolts and spring washers.

FUNCTIONAL DESCRIPTION

⚠ WARNING:

- Before plugging the machine, always make sure that the machine is switched off. Plugging the machine with the switch on may cause an unexpected start resulting in serious personal injury.
- Never use the machine if power cable is damaged. Otherwise it may cause electric shock.
- Do not use the machine if the switch does not turn it on and off. Have defective switches replaced by Makita authorized service center.

Start/stop lever

To start the machine, press and hold the lock-off button (2), and then fully pull the start/stop lever (1) and hold it. Once pulling the start/stop lever, you do not need to hold the lock-off button.

To stop the machine, simply release the start/stop lever.

Handle angle adjustment

You can change the angle of upper handle bar.

- 1) Unlock the handle clamps (6).
- 2) Adjust the angle of the upper handle bar (3).
- 3) Lock the handle clamps again.

Height adjustment

Depending on the condition of the grass, adjust the height of the cutting tool.

Refer to the table below as rough indication for depth settings.

| Height | Usage | |
|--------|---|--|
| | Scarifying | Raking (Optional accessory) |
| +5mm | For transportation and storage. Scarifying sensitive lawn. Dethatching thin layers. The second scarifying operation in autumn. | For transportation and storage. Raking normal lawn. |
| 0mm | Scarifying normal lawn. Dethatching normal layer. | Raking rough thick lawn. |
| -5mm | Scarifying normal lawn. Dethatching thick layer. | Do NOT use for raking operation. |
| -10mm | Scarifying rough thick lawn. Dethatching thick layer. | Do NOT use for raking operation. |

Changing the height

Push the height adjustment lever (12) outward, and move it to desired position.

Overload protection

This machine is equipped with overload protection, and it functions under the following situations:

- The cutting tool becomes clogged because scarified materials are built up around it.
- The machine is trying to scarify more than the motor can handle.
- Something hinders the rotation of the cutting tool.

When this protection works, the machine is switched off automatically.

If it happens, unplug the machine, wait until it cools down, and remove the cause of the overload before restarting the machine.

OPERATION

Operation Tips:

- Cut your grass before operation and fertilize after the operation.
- Adjust the depth of the cutting tool in accordance with the height of the grass and weather.
- Avoid operating on wet grass. It tends to stick on the discharge port and other parts of the machine. It may also cause slip and fall.
- Do not move too fast. Push the machine slowly. Otherwise discharge port may become clogged and the motor may overload.
- Operate along a line as straight as possible.
- Make slightly overlapping scarified lines. It will maintain even and smooth surface.
- When a flower bed is included in the operating area, make a circle or two around the flower bed.
- Be especially careful when turning the machine.
- Do not stay in one position. It damages the grass.

Tips for scarifying:

- Always take the weather into account. Warm, sunny and wet weather is good for scarifying because the lawn can recover healthily. On the other hand, avoid cold, heat, dry weather.
- During spring season scarify the lawn.
- If summer is wet, scarify the lawn in early autumn.
- Refrain from scarifying during period of extremely hot weather.

- If summer is very dry, do not scarify in autumn.

Tips for raking:

- Plenty amount of air is needed for the area around the roots of the lawn in order to maintain healthy growth in spring season.
- It is recommended performing aeration operation on the lawn every 4 – 6 weeks in accordance with the state of the lawn.

MAINTENANCE

⚠ CAUTION:

- Always be sure that the machine is switched off and unplugged before performing inspection or maintenance.
- Wear protective gloves before performing inspection or maintenance.
- The cutter does not stop immediately after switch off. Wait until all the parts stop before performing any maintenance work.
- Make sure that all the tools are removed after maintenance work.
- Never use gasoline, benzine, thinner, alcohol or the like for cleaning. Discoloration, deformation or cracks may result. To clean the machine, use only moist cloth and soft brush.
- Do not hose or clean the machine with high pressured water.

When transporting the machine, pay attention to the following points:

- Switch off the motor, unplug and wait until the cutting tool stops.
- Adjust the depth of the cutting tool to transportation height.
- Always transport the machine by its handle.
- Avoid heavy impact or strong vibration.
- Secure the machine firmly in case it is embarked on vehicles.

Perform the following steps after each operation:

- Switch off the motor, unplug and wait until the cutting tool stops.
- Clean the grass catcher. Store it in a dry room.
- Check, clean and store the machine in a dry room.

Perform the following work at regular basis:

- Check all the clamps, such as screws, nuts etc. are tightly fasten.
- Check for defects such as loose, worn, or damaged parts. Replace them if necessary.
- Check that the covers and guards are not damaged or deformed.
- If the machine starts vibrating abnormally during operation, that may be caused by unbalanced or deformed cutting tool due to the impacts by foreign objects. Have the cutting tool repaired or replaced by authorized service center if it happens.
- The cutting tool is worn out during the course of time. Check the condition of the cutting tool and its stability on regular basis. Replace it if it is worn or become blunt.
- Clean and lubricate all screw parts before storage.

TROUBLESHOOTING

WARNING: Before solving troubles, switch off the machine, pull out the mains plug, and wait until the machine stops completely.

| Trouble | Possible cause | Remedy |
|---|--|---|
| The machine does not start. | Power supply is not plugged in. | Connect the power supply. |
| | Defect of power cord. | Unplug immediately. Ask your local Makita authorized service center to repair it. |
| | Defect of electrical circuit. | Ask your local Makita authorized service center to repair it. |
| | Lock-off button is not pressed. | Press the lock-off button and pull the start/stop lever. |
| There are cracking sounds from the machine. | Foreign matter is entangled in the cutting tool. | Switch off the motor, unplug, and wait until the cutter tool stops. And then remove the foreign matter. |
| There are strange noise from the machine. | Defect of drive belt | Ask your local Makita authorized service center to repair it. |
| The machine does not reach its maximum power. | Power source has low voltage than it required. | Try another power source. Check whether appropriate power source is deployed. |
| | Air vents are clogged. | Clean the air vents. |
| Poor result. | Grass is too high. | Mow the grass before scarifying. |
| | Cutting tool is worn out or damaged. | Replace it. |
| | Scarified surface exceeds the machine capacity. | Only scarify a surface which is in accordance with machine capacity. |
| | Scarified depth is not correct. | Adjust the depth of the cutting tool. |

⚠ CAUTION:

- These accessories or attachments are recommended for use with your Makita tool specified in this manual. The use of any other accessories or attachments might present a risk of injury to persons. Only use the accessories or attachments for their stated purposes.
- If you need any assistance for more details regarding these accessories, ask your local Makita Service Center.

There are several types of cutting tool:

- Scarifying blade - The sharp edge of a blade scarifies the ground and cuts roots.
- Raking blade (optional accessory) - Removing the lawn and leaves by fine needles.
- 2 in 1 blade (optional accessory) - Raking and scarifying at the same time.

NOTICE:

- Some items in the list may be included in the tool package as standard accessories. They may differ from country to country.

For European countries only

EC Declaration of Conformity

Makita declares that the following machine(s):

Designation of Machine:

Electric Scarifier

Model No./ Type: UV3600

Conforms to the following European Directives:

2000/14/EC amended by 2005/88/EC, 2006/42/EC,
2004/108/EC, 2011/65/EU

They are manufactured in accordance with the following standard or standardized documents:

EN60335, EN13684

The technical file in accordance with 2006/42/EC is available from:

Makita, Jan-Baptist Vinkstraat 2, 3070, Belgium

The conformity assessment procedure required by Directive 2000/14/EC was in Accordance with annex V.

Measured Sound Power Level: 99.53 dB (A)

Guaranteed Sound Power Level: 104 dB (A)

21.11.2014



Yasushi Fukaya
Director

Makita, Jan-Baptist Vinkstraat 2, 3070, Belgium

AVERTISSEMENT : Cet appareil peut être utilisé par des enfants de 8 ans et plus, ainsi que par des personnes présentant des capacités physiques, sensorielles ou mentales réduites, ou par des personnes dénuées d'expérience et de connaissances s'ils ont pu faire l'objet d'une surveillance ou recevoir des instructions préalables concernant l'utilisation en toute sécurité de l'appareil et s'ils comprennent les risques associés. Ne laissez pas les enfants jouer avec l'appareil. Le nettoyage et l'entretien à la charge de l'utilisateur ne doivent pas être réalisés par des enfants sans surveillance.

DÉSIGNATION DES PIÈCES (Fig. 1)

- | | | |
|-----------------------------------|-------------------------------------|----------------------------------|
| 1. Levier de démarrage/arrêt | 7. Levier | 13. Outil de coupe |
| 2. Bouton de déverrouillage | 8. Clip (x2) | 14. Boulon et rondelle élastique |
| 3. Partie supérieure du guidon | 9. Collecteur d'herbe | 15. Roulement |
| 4. Partie inférieure du guidon | 10. Déflecteur | 16. Arbre d'entraînement |
| 5. Décharge de traction de cordon | 11. Bouton | |
| 6. Fixation du guidon | 12. Levier de réglage de la hauteur | |

DONNÉES TECHNIQUES

| | |
|---|--|
| Nom de modèle | UV3600 |
| Tension | 230 à 240 V |
| Fréquence | 50 Hz |
| Puissance d'entrée nominale | 1 800 W |
| Poids net | 15,3 kg |
| Vitesse à vide | 3 500 min ⁻¹ |
| Largeur de coupe maximum | 360 mm |
| Plage de hauteur de travail | 4 crans (-10/-5/0/5 mm) |
| Volume du collecteur d'herbe | 40 l |
| Classe de protection | IPX4 |
| Niveau de pression acoustique | 81,24 dB (A), K= 2,50 dB (A) |
| Niveau de pression acoustique aux oreilles de l'utilisateur | 85,5 dB (A), K = 2,50 dB (A) |
| Niveau de puissance sonore mesuré | 99,53 dB (A), K= 4,50 dB (A) |
| Niveau de puissance sonore garanti | 104 dB (A) |
| Vibration | 4,673m/s ² , K = 1,5 m/s ² |

SYMBOLES

Les symboles utilisés pour la machine sont indiqués ci-dessous. Vous devez en avoir compris le sens avant l'utilisation.



• Consultez le manuel d'instructions.



• Soyez très prudent et attentif.



- Double isolation.



- Portez des gants de protection.



- Portez des bottes robustes à semelles antidérapantes.



- Portez des lunettes de protection et un serre-tête antibruit.



- Attendez l'arrêt complet de toutes les pièces de la machine.



- Faites attention aux outils de coupe tranchants.



- Coupez le moteur et débranchez la machine avant d'effectuer le nettoyage ou la maintenance, ou si le câble est endommagé.



- Des objets peuvent être éjectés à grande vitesse.



- Maintenez une distance de sécurité entre les badauds ou les animaux domestiques et la zone de travail.



- N'exposez pas la machine à la pluie ou à l'humidité.



- Retirez immédiatement la fiche de la prise secteur si le câble d'alimentation est endommagé ou coupé.



- Risque d'électrocution



- Éloignez le cordon des outils de coupe ou des roues.



- Uniquement pour les pays européens

Ne jetez pas les appareils électriques avec vos ordures ménagères !

Conformément à la directive européenne relative aux déchets d'équipements électriques et électroniques ainsi qu'à son application en conformité avec les lois nationales, les appareils électriques qui ont atteint la fin de leur durée de service doivent être collectés séparément et renvoyés à un établissement de recyclage respectueux de l'environnement.

CONSIGNES DE SÉCURITÉ

**À LIRE ATTENTIVEMENT AVANT L'UTILISATION
CONSERVEZ CE MANUEL D'INSTRUCTIONS POUR CONSULTATION ULTÉRIEURE**



Ne commencez à utiliser la machine qu'après avoir lu les présentes instructions d'utilisation. Respectez toutes les instructions données et installez la machine tel que décrit.

Usage pour lequel la machine a été conçue

- Cette machine est conçue pour la scarification et le ratissage des jardins.
- Le scarificateur est conçu exclusivement pour un usage privé, et non à des fins commerciales. Ne l'utilisez pas non plus dans les lieux publics.

Pour les systèmes d'alimentation à basse tension, de 220 V à 250 V.

La mise sous/hors tension des appareils électriques entraîne des fluctuations de la tension. L'utilisation de cet appareil sur une source d'alimentation inadéquate peut affecter le fonctionnement d'autres appareils. On peut considérer qu'il n'aura pas d'effets négatifs si l'impédance de la source d'alimentation est inférieure ou égale à 0,412 Ohms. La prise de courant utilisée pour cet appareil doit être protégée par un fusible ou un disjoncteur de protection à déclenchement lent.

Instructions générales

- Lisez ce manuel pour vous familiariser avec le maniement de la machine. Si la machine est manipulée par un utilisateur mal renseigné, les risques d'incendie, d'électrocution ou de blessures corporelles de l'utilisateur et d'autrui augmentent.
- Ne prêtez pas la machine aux personnes sans expérience.

- Lorsque vous prêtez la machine, joignez toujours le présent manuel d'instructions.
- La machine n'est pas conçue pour être utilisée par des personnes atteintes d'un handicap physique, sensoriel ou mental, ainsi que par des personnes ne possédant pas l'expérience et les connaissances nécessaires. Les jeunes enfants doivent être surveillés pour s'assurer qu'ils ne jouent pas avec la machine.
- N'utilisez la machine que si vous êtes en bonne condition physique. Travaillez toujours en faisant preuve de calme et de prudence. L'utilisateur est responsable de la sécurité des personnes en présence et des dommages causés dans sa zone de travail.
- N'utilisez jamais cette machine sous l'emprise de l'alcool ou de médicaments, ou si vous êtes fatigué ou malade.
- Reposez-vous régulièrement pour empêcher la perte du contrôle due à la fatigue. Nous recommandons de faire une pause de 10 à 20 minutes toutes les heures.
- Utilisez la machine conformément aux présentes instructions, en tenant compte des conditions de travail et de la tâche à effectuer. Utiliser la machine pour des travaux autres que ceux pour lesquels elle a été conçue peut entraîner une situation dangereuse.

- La réglementation nationale ou locale peut imposer des restrictions au maniement de la machine.
- Soyez vigilant. Surveillez vos gestes. Faites preuve de bon sens. N'utilisez pas la machine lorsque vous êtes fatigué.

Équipement de protection individuel

- Portez des vêtements adéquats. Les vêtements portés doivent être fonctionnels et adéquats, c'est-à-dire moulants sans être toutefois gênants. Ne portez ni bijoux ni vêtements susceptibles de s'enchevêtrer dans la machine. Recouvrez les cheveux longs d'un filet à cheveux ou d'une coiffure similaire.
- Portez toujours des protections d'oreilles pour éviter la perte d'audition.
- Portez des lunettes de protection ou des lunettes à coques pour protéger vos yeux des projections d'objets et de débris.
- Portez des gants de protection pour protéger vos doigts contre les blessures.
- Portez un masque anti-poussières pour réduire le risque de blessure.
- Lorsque vous utilisez la machine, portez toujours des chaussures robustes à semelles antidérapantes, afin de vous protéger des blessures et de garantir un bon appui.

- Lorsque vous utilisez la machine, portez toujours des chaussures solides et un pantalon long. N'utilisez pas la machine pieds nus ou avec des sandales ouvertes.

Sécurité de la zone de travail

- Ne laissez approcher ni enfants ni badauds, y compris les animaux, pendant que vous utilisez la machine.
- Vérifiez que la zone de travail ne comporte pas de pierres, câbles, morceaux de verre ou autres corps étrangers. Les corps étrangers peuvent se coincer dans la machine ou être propulsés par la machine, ce qui présente un risque de dégâts ou de blessures.
- Utilisez uniquement la machine si vous avez une bonne visibilité et à la lumière du jour. N'utilisez pas la machine dans l'obscurité ou le brouillard.
- N'utilisez pas la machine dans un environnement explosif, en présence de liquides, gaz ou poussières inflammables par exemple. La machine produit des étincelles qui peuvent enflammer la poussière ou les émanations.
- N'exposez pas la machine à la pluie ou à l'humidité. En pénétrant dans la machine, l'eau peut augmenter le risque d'électrocution.

Démarrage de la machine

- Avant de brancher ou d'allumer la machine :
 - Assurez-vous que la fiche et le cordon sont en bon état.
 - Assurez-vous que les vis, écrous et autres dispositifs de fixation sont tous bien serrés.
 - Assurez-vous que les outils de coupe sont posés et en bon état de fonctionnement.
 - Assurez-vous que les protecteurs et les dispositifs de sécurité, comme le déflecteur ou le collecteur d'herbe fonctionnent correctement.
 - Assurez-vous que les orifices d'aération ne sont pas recouverts de poussière ou autres corps étrangers. Nettoyez-les avec une brosse souple ou un chiffon s'ils sont bouchés.
 - Remplacez les étiquettes abîmées ou illisibles.
 - Vérifiez soigneusement toutes les pièces de la machine, pour vous assurer qu'elles fonctionnent bien et remplissent leurs fonctions respectives. Surtout, n'utilisez jamais la machine si son interrupteur ne fonctionne pas bien.
 - Vérifiez que l'interrupteur est placé sur côté OFF pour empêcher un démarrage intempestif.

- Assurez-vous que tous les outils pour l'entretien (comme une clé ou une clé de réglage) ont été retirés.
- Si le cordon d'alimentation est endommagé, demandez toujours à un centre de service après-vente Makita agréé de le remplacer à l'aide de pièces de rechange d'origine.
- N'utilisez jamais la machine si le dispositif de sécurité, comme le déflecteur ou le collecteur d'herbe, est endommagé ou absent.
- Lorsque vous allumez le moteur :
 - Éloignez les pieds des outils de coupe.
 - N'inclinez pas la machine.
 - Ne vous tenez pas devant l'ouverture d'évacuation.
 - Ne laissez jamais vos mains, toute autre partie du corps ou vêtement près des pièces en mouvement.

Sécurité électrique

- Assurez-vous que la fiche du connecteur sur la machine entre dans la prise avant utilisation.
- Ne modifiez jamais la fiche du connecteur.
- Ne maltraitez pas le cordon d'alimentation. Ne transportez jamais la machine par son cordon, ni ne tirez sur le cordon pour déplacer ou débrancher la machine. Tenez le cordon à l'écart de sources de chaleur, huile, bords tranchants ou

pièces en mouvement. Le risque d'électrocution augmente si le cordon est endommagé ou entortillé.

- Vérifiez régulièrement la gaine isolante du cordon prolongateur. Si le cordon est abîmé, remplacez-le.
- Si le câble de connexion est endommagé, débranchez immédiatement la fiche secteur. Un câble endommagé peut entraîner une électrocution au contact des pièces sous tension.
- N'utilisez jamais de câbles endommagés.
- Éloignez le cordon et le cordon prolongateur des outils de coupe et des roues. Les outils de coupe peuvent endommager le câble et provoquer une électrocution.
- Lorsque vous utilisez la machine à l'extérieur, utilisez toujours un interrupteur à courant différentiel résiduel dont le courant de fonctionnement est de 30 mA ou moins.
- Utilisez uniquement un cordon prolongateur conçu pour l'usage extérieur et doté d'un connecteur étanche aux éclaboussures. La section transversale doit être d'au moins 1,5 mm² pour un cordon de 25 mètres ou moins et de 2,5 mm² pour un cordon de plus de 25 mètres.
- La machine ne devra être raccordée qu'à une alimentation de la même tension que celle qui figure sur la plaque signalétique,

et elle ne pourra fonctionner que sur un courant secteur monophasé. Réalisée avec une double isolation, elle est conforme à la réglementation européenne et peut de ce fait être alimentée sans mise à la terre.

- Évitez tout contact physique avec les surfaces mises à la terre ou reliées à la masse (par ex., tuyaux, radiateurs, cuisinières électriques, réfrigérateurs).

Fonctionnement

- Évitez d'utiliser la machine sur de l'herbe mouillée. Redoublez de précaution lorsque vous travaillez sur de l'herbe mouillée pour éviter de glisser.
- Tenez fermement le guidon des deux mains pendant le fonctionnement. Le guidon doit toujours être sec et propre pour éviter les accidents.
- Ne courez pas. Mais marchez pendant que vous utilisez la machine.
- Portez une attention particulière à votre position lorsque vous travaillez en pente.
- Ne travaillez pas de haut en bas ou de bas en haut sur une pente. Travaillez toujours perpendiculairement à la pente.
- Redoublez particulièrement de précaution lorsque vous tournez la machine sur une pente.
- Ne travaillez jamais sur une pente raide.

- Soyez très prudent lorsque vous inversez ou tirez la machine vers vous.
- Ne vous penchez pas trop loin. Maintenez constamment votre équilibre et votre position. Vous aurez ainsi une meilleure maîtrise de la machine en cas de situations imprévues.
- N'oubliez jamais :
 - Éloignez les pieds des outils de coupe.
 - N'inclinez pas la machine.
 - Ne vous tenez pas devant l'ouverture d'évacuation.
 - Ne laissez jamais vos mains, toute autre partie du corps ou vêtement près des pièces en mouvement.
- Ne forcez pas la machine. Elle effectuera un travail de meilleure qualité, et de manière plus sûre, si vous l'utilisez au régime pour lequel elle a été conçue. Les surcharges fréquentes peuvent endommager le moteur ou provoquer un incendie.
- Coupez le moteur et débranchez la machine :
 - Chaque fois que vous devez laisser la machine sans surveillance
 - Avant de débloquer la machine ou de vérifier la cause d'une panne
 - Avant d'effectuer la vérification, le nettoyage ou l'entretien de la machine
 - Avant d'effectuer tout réglage, de remplacer des accessoires ou de ranger la machine
- Lorsque la machine heurte un corps étranger. Patientez jusqu'à ce que la machine refroidisse. Inspectez la machine et remplacez les pièces au besoin avant de continuer à l'utiliser
- Chaque fois que la machine se met à vibrer ou à émettre un bruit anormal
- Pour poser ou retirer le collecteur d'herbe
- Lorsque quelqu'un entre sur votre zone de travail
- Lorsque vous rencontrez une surface autre que l'herbe
- Pour transporter la machine.
- Arrêtez l'outil de coupe :
 - Si vous devez incliner la machine
 - Lorsque vous rencontrez des surfaces autres que l'herbe
 - Pour transporter la machine de et vers les surfaces à travailler.
- Faites attention aux outils de coupe. Ils ne s'arrêtent pas immédiatement après la mise hors tension.

Instructions de maintenance

- Confiez toujours votre machine à un centre de service après-vente agréé, qui n'utilise que des pièces de rechange d'origine. Une réparation incorrecte ou une mauvaise maintenance peuvent raccourcir la durée de service de la machine et augmentent les risques d'accident.

- Inspectez régulièrement la machine.
- Avant de faire l'entretien, l'inspection ou le réglage de la machine, et avant de la ranger ou de remplacer un accessoire, suivez les étapes ci-dessous :
 - Coupez le courant de la source d'alimentation
 - Débranchez la machine de la source d'alimentation
 - Assurez-vous que toutes les pièces mobiles sont parfaitement arrêtées
 - Laissez refroidir la machine.
- Inspectez la machine pour détecter d'éventuels dommages :
 - Vérifiez si les dispositifs de sécurité remplissent adéquatement la fonction pour laquelle ils sont conçus
 - Vérifiez si les pièces mobiles fonctionnent de manière fluide et adéquate
 - Vérifiez qu'aucune pièce n'est endommagée et qu'elles sont toutes bien posées
 - Vérifiez que l'outil de coupe n'est pas endommagé, usé ou déséquilibré
 - Vérifiez régulièrement que le collecteur d'herbe n'est pas endommagé ou usé
 - Vérifiez que tous les écrous, boulons et vis sont bien serrés
 - S'il y a des pièces endommagées ou usées, faites-les remplacer ou

réparer dans un centre de service après-vente agréé.

- N'effectuez aucun travail de maintenance ou de réparation non décrit dans le présent manuel d'instructions. Tout autre travail doit être effectué par un centre de service après-vente Makita agréé.
- Utilisez uniquement des pièces de rechange et accessoires Makita d'origine conçus pour votre machine. Autrement vous risquez de vous blesser ou d'endommager la machine.
- Rangez la machine dans une pièce sèche. Gardez-la hors de portée des enfants. Ne rangez jamais la machine à l'extérieur.

Vibration

- Les personnes ayant une mauvaise circulation du sang qui sont exposées à des vibrations excessives peuvent présenter des lésions des vaisseaux sanguins ou du système nerveux. Les vibrations peuvent être à l'origine des symptômes suivants dans les doigts, les mains ou les poignets : engourdissement, picotement, douleur, douleur lancinante, changement de couleur de la peau ou de la peau elle-même. Si un ou plusieurs de ces symptômes apparaissent, consultez un médecin.
- Pour réduire le risque du syndrome de Raynaud, gardez vos mains au chaud pendant que vous utilisez la machine et maintenez dans un bon état l'équipement et les accessoires.

⚠ AVERTISSEMENT :

- Cette machine produit un champ électromagnétique pendant son fonctionnement. Il est conseillé aux personnes porteuses d'un implant médical de consulter leur médecin et le fabricant de l'implant avant d'utiliser cette machine. Sinon le champ électromagnétique risque d'affecter l'implant médical et provoquer des blessures graves.

⚠ ATTENTION :

- Avant toute intervention sur la machine, assurez-vous toujours qu'elle est éteinte et débranchée.

Assemblage du guidon (Fig. 2, 3)

- 1) Serrez la partie inférieure du guidon (4) sur la machine avec les boutons (11).
- 2) Placez la partie supérieure du guidon (3) sur la partie inférieure du guidon, puis serrez-les avec les deux entretoises, l'écrou et le levier (7).
- 3) Serrez le cordon avec les clips (8) sur le guidon.

Assemblage du collecteur d'herbe**⚠ ATTENTION :**

- N'utilisez pas la machine sans le collecteur d'herbe, car les objets projetés peuvent provoquer des blessures.
- Pour les appareils à évacuation arrière, dont les rouleaux arrière sont exposés et qui sont utilisés sans collecteur, il est recommandé de porter des lunettes de protection intégrale.

NOTE :

- La performance de la machine diminue lorsque le collecteur d'herbe est plein. Videz-le régulièrement avant qu'il ne soit saturé d'herbes.

Mise en place du collecteur d'herbe

Soulevez le déflecteur (10) et tenez-le. Insérez les crochets sur le collecteur d'herbe dans les rainures sur la machine.

Retrait du collecteur d'herbe

Soulevez le déflecteur (10) et tenez-le. Retirez le collecteur d'herbe en relâchant les crochets des rainures sur la machine.

Décharge de traction de cordon (Fig. 4)

La décharge de traction de cordon (5) permet d'empêcher le cordon de s'enchevêtrer dans la lame ou la roue.

Faites une petite boucle à l'extrémité du cordon secteur et faites-le passer par l'ouverture de la décharge de traction de cordon, puis accrochez-le au crochet.

Pensez toujours à la position du cordon pendant que vous utilisez la machine. Commencez à faire fonctionner la machine depuis le point le plus proche de la source d'alimentation pour empêcher le cordon d'être accidentellement coupé. Il est conseillé de garder le cordon sur l'épaule pendant le fonctionnement.

Retrait ou mise en place de l'outil de coupe**⚠ ATTENTION :**

- Portez des gants de protection.
- Redoublez de précaution lorsque vous manipulez l'outil de coupe. Il est très coupant et peut chauffer pendant le fonctionnement.
- Utilisez toujours un outil de coupe adapté à votre tâche.
- Avant d'utiliser la machine, assurez-vous que les deux boulons tenant l'outil de coupe sur la machine sont solidement serrés. N'utilisez pas la machine si le boulon est desserré ou manquant. S'il est endommagé, remplacez-le immédiatement.

Retrait de l'outil de coupe

- 1) Retirez le collecteur d'herbe (9).
- 2) Retirez le guidon de la machine.
- 3) Placez la machine à l'envers sur une surface plane.
- 4) Desserrez les deux boulons (14). Déposez-les ainsi que les rondelles élastiques.
- 5) Soulevez la partie roulement de l'outil de coupe (15), puis sortez l'outil de coupe (13) hors de l'arbre d'entraînement (16).

Mise en place de l'outil de coupe

- 1) Insérez l'outil de coupe en faisant glisser son écrou hexagonal dans la prise de l'arbre d'entraînement.
- 2) Serrez la partie roulement sur la machine avec les boulons et les rondelles élastiques.

DESCRIPTION DU FONCTIONNEMENT**⚠ AVERTISSEMENT :**

- Avant de brancher la machine, assurez-vous toujours qu'elle est éteinte. Il y a risque de démarrage intempestif et de blessure grave si l'on branche la machine alors que l'interrupteur est en position de marche.
- N'utilisez jamais la machine si le câble d'alimentation est

endommagé. Vous risqueriez autrement de vous électrocuter.

- N'utilisez pas la machine s'il est impossible de l'allumer ou de l'éteindre avec l'interrupteur. Faites remplacer les interrupteurs défectueux dans un centre de service après-vente Makita agréé.

Levier de démarrage/arrêt

Pour démarrer la machine, maintenez enfoncé le bouton de déverrouillage (2), puis tirez complètement sur le levier de démarrage/arrêt (1) et tenez-le. Une fois le levier de démarrage/arrêt tiré, il n'est plus nécessaire de maintenir enfoncé le bouton de déverrouillage.

Pour arrêter la machine, il vous suffit de relâcher le levier de démarrage/arrêt.

Réglage de l'angle du guidon

Vous pouvez modifier l'angle de la partie supérieure du guidon.

- 1) Déverrouillez les fixations du guidon (6).
- 2) Ajustez l'angle de la partie supérieure du guidon (3).
- 3) Verrouillez à nouveau les fixations du guidon.

Réglage de la hauteur

Régalez la hauteur de l'outil de coupe selon l'état de l'herbe.

Reportez-vous au tableau ci-dessous à titre indicatif pour les réglages de profondeur.

| Hauteur | Utilisation | |
|---------|--|--|
| | Scarification | Ratissage (accessoire en option) |
| +5 mm | Pour le transport et le stockage. Scarification de pelouses sensibles. Déchaumage des couches fines. Deuxième scarification en automne. | Pour le transport et le stockage. Ratissage de pelouses normales. |
| 0 mm | Scarification de pelouses normales. Déchaumage de pelouses normales. | Ratissage de pelouses épaisses et grossières. |
| -5 mm | Scarification de pelouses normales. Déchaumage de pelouses épaisses. | Ne PAS utiliser pour le ratissage. |
| -10 mm | Scarification de pelouses épaisses et grossières. Déchaumage de pelouses épaisses. | Ne PAS utiliser pour le ratissage. |

Modification de la hauteur

Poussez le levier de réglage de la hauteur (12) vers l'extérieur et déplacez-le sur la position désirée.

Protection contre la surcharge

Cette machine est dotée d'une protection contre la surcharge qui s'enclenche dans les situations suivantes :

- L'outil de coupe est bloqué par l'accumulation des résidus de la scarification.
- La machine essaie de scarifier plus d'herbe que le moteur ne peut supporter.
- Quelque chose entrave la rotation de l'outil de coupe.

Lorsque cette protection fonctionne, la machine s'éteint automatiquement.

Le cas échéant, débranchez la machine, patientez jusqu'à ce qu'elle refroidisse et retirez la cause de la surcharge avant de redémarrer la machine.

FONCTIONNEMENT

Astuces pour le fonctionnement :

- Coupez l'herbe avant d'utiliser la machine et fertilisez après.
- Réglez la profondeur de l'outil de coupe conformément à la hauteur de l'herbe et au climat.
- Évitez d'utiliser la machine sur de l'herbe mouillée, car elle a tendance à coller à l'orifice d'évacuation ou d'autres pièces de la machine. Vous risqueriez également de glisser et de tomber.
- Ne vous déplacez pas trop vite. Poussez lentement la machine. Sinon l'orifice d'évacuation peut se boucher et le moteur se surcharger.
- Essayez autant que possible de travailler en ligne droite.
- Faites des lignes de scarification se chevauchant légèrement. Cela permet de conserver la surface régulière et lisse.
- Lorsqu'un parterre de fleurs se trouve dans la zone de travail, faites un cercle ou deux autour du parterre.
- Faites particulièrement attention lorsque vous tournez la machine.
- Ne restez pas en un même endroit, sous peine d'abîmer l'herbe.

Astuces pour la scarification :

- Pensez toujours au climat. Un temps chaud, ensoleillé et humide est idéal pour la scarification, car la pelouse peut récupérer sainement. Par contre, évitez les temps froids et secs, et la chaleur excessive.
- Scarifiez la pelouse au printemps.
- Si le temps est humide l'été, scarifiez la pelouse au début de l'automne.
- Évitez de scarifier pendant les périodes très chaudes.
- Si le temps est très sec l'été, ne scarifiez pas l'automne.

Astuces pour le ratissage :

- Une grande quantité d'air est nécessaire pour la zone autour des racines de la pelouse pour préserver une croissance saine au printemps.
- Il est conseillé d'aérer la pelouse toutes les 4 à 6 semaines conformément à l'état de la pelouse.

⚠ ATTENTION :

- Avant d'effectuer l'inspection ou la maintenance, assurez-vous toujours que la machine est éteinte et débranchée.
- Avant d'effectuer l'inspection ou la maintenance, mettez des gants de protection.
- L'outil de coupe ne s'arrête pas immédiatement après la mise hors tension. Avant d'effectuer tout travail de maintenance, attendez l'arrêt de toutes les pièces.
- Après le travail de maintenance, assurez-vous d'avoir retiré tous les outils.
- N'utilisez jamais d'essence, benzine, diluant, alcool ou autre produit similaire pour le nettoyage. Ils présentent un risque de décoloration, de déformation ou de fissuration. Pour nettoyer la machine, utilisez uniquement un chiffon humide et une brosse douce.
- N'arrosez pas ou ne nettoyez pas la machine avec de l'eau sous pression élevée.

Lors du transport de la machine, prêtez attention aux points suivants :

- Coupez le moteur, débranchez la machine et attendez que l'outil de coupe s'arrête.
- Réglez la profondeur de l'outil de coupe d'après la hauteur de transport.
- Transportez toujours la machine par son guidon.
- Évitez les impacts violents ou les vibrations importantes.
- Attachez solidement la machine si vous la chargez sur un véhicule.

Procédez aux étapes suivantes après chaque utilisation :

- Coupez le moteur, débranchez la machine et attendez que l'outil de coupe s'arrête.

- Nettoyez le collecteur d'herbe. Rangez-le dans une pièce sèche.
- Inspectez, nettoyez et rangez la machine dans une pièce sèche.

Procédez régulièrement aux tâches suivantes :

- Assurez-vous que toutes les fixations, comme les vis, les écrous, etc., sont serrées fermement.
- Assurez-vous qu'il n'y a pas de pièces desserrées, usées ou endommagées. Remplacez-les au besoin.
- Assurez-vous que les couvercles et les protections ne sont pas endommagés ou déformés.
- Si la machine se met à vibrer anormalement pendant le fonctionnement, il se peut que l'outil de coupe soit déséquilibré ou déformé en raison d'impacts causés par des corps étrangers. Le cas échéant, faites réparer ou remplacer l'outil de coupe par un centre de service après-vente agréé.
- L'outil de coupe s'use avec le temps. Vérifiez régulièrement l'état de l'outil de coupe et sa stabilité. Remplacez-le s'il est usé ou moins tranchant.
- Nettoyez et lubrifiez toutes les emplacements de vis avant le rangement.

DÉPANNAGE

AVERTISSEMENT : Avant de dépanner la machine, éteignez-la, débranchez-la et attendez son arrêt complet.

| Problème | Cause possible | Solution |
|---|---|---|
| La machine ne démarre pas. | Le cordon d'alimentation n'est pas branché. | Branchez le cordon d'alimentation. |
| | Cordon d'alimentation défectueux. | Débranchez immédiatement. Confiez la réparation à votre centre de service après-vente Makita agréé local. |
| | Circuit électrique défectueux. | Confiez la réparation à votre centre de service après-vente Makita agréé local. |
| | Le bouton de déverrouillage n'est pas enfoncé. | Appuyez sur le bouton de déverrouillage et tirez sur le levier de démarrage/arrêt. |
| La machine émet des craquements. | Un corps étranger est coincé dans l'outil de coupe. | Coupez le moteur, débranchez la machine et attendez que l'outil de coupe s'arrête. Retirez ensuite le corps étranger. |
| La machine émet des bruits étranges. | Courroie défectueuse | Confiez la réparation à votre centre de service après-vente Makita agréé local. |
| La machine n'atteint pas sa puissance maximale. | La tension de la source d'alimentation est plus faible que requise. | Essayez sur une autre source d'alimentation. Assurez-vous que la source d'alimentation adéquate est déployée. |
| | Les orifices d'aération sont bouchés. | Nettoyez les orifices d'aération. |
| Performance médiocre. | L'herbe est trop haute. | Tondez la pelouse avant la scarification. |
| | L'outil de coupe est usé ou endommagé. | Remplacez-le. |
| | La surface à scarifier dépasse la capacité de la machine. | Scarifiez uniquement une surface conforme à la capacité de la machine. |
| | La profondeur à scarifier est incorrecte. | Réglez la profondeur de l'outil de coupe. |

ACCESSOIRE EN OPTION

⚠ ATTENTION :

- Ces accessoires ou pièces complémentaires sont recommandés pour l'utilisation avec l'outil Makita spécifié dans ce manuel. L'utilisation de tout autre accessoire ou pièce complémentaire peut comporter un risque de blessure. N'utilisez les accessoires ou pièces complémentaires qu'aux fins pour lesquelles ils ont été conçus.
- Si vous désirez obtenir plus de détails concernant ces accessoires, veuillez contacter votre centre de service après-vente Makita local.

Il existe plusieurs types d'outil de coupe :

- Lame spéciale scarification : le bord tranchant d'une lame scarifie le sol et coupe les racines.
- Lame de ratissage (accessoire en option) : retire la pelouse et les feuilles grâce à de fines aiguilles.
- Lame 2 en 1 (accessoire en option) : ratissage et scarification simultanés.

REMARQUE :

- Il se peut que certains éléments de la liste soient compris dans l'emballage de l'outil en tant qu'accessoires standard. Ils peuvent varier d'un pays à l'autre.

Pour les pays d'Europe uniquement

Déclaration de conformité CE

Makita déclare que la (les) machine(s) Makita suivante(s) :

Désignation de la machine :

Scarificateur Electrique

N° de modèle / Type : UV3600

sont conformes aux directives européennes

suivantes :

2000/14/CE amendé par 2005/88/CE, 2006/42/CE,
2004/108/CE, 2011/65/UE

et est (sont) fabriquée(s) conformément aux normes ou
aux documents normalisés suivants :

EN60335, EN13684

La documentation technique conforme à la norme
2006/42/CE est disponible auprès de :

Makita, Jan-Baptist Vinkstraat 2, 3070, Belgique

La procédure de déclaration de conformité requise par la
Directive 2000/14/CE était conforme à l'annexe V.

Niveau de puissance sonore mesuré : 99,53 dB (A)

Niveau de puissance sonore garanti : 104 dB (A)

21.11.2014



Yasushi Fukaya

Directeur

Makita, Jan-Baptist Vinkstraat 2, 3070, Belgique

WARNUNG: Dieses Gerät kann von Kindern ab 8 Jahren und Personen mit verminderten körperlichen, sensorischen oder geistigen Fähigkeiten bzw. Mangel an Erfahrung und Kenntnissen benutzt werden, vorausgesetzt, dass sie beaufsichtigt werden oder Anweisungen zum sicheren Gebrauch des Gerätes erhalten haben und die damit verbundenen Gefahren verstehen. Kinder dürfen nicht mit dem Gerät spielen. Reinigung und Benutzerwartung dürfen nicht von Kindern ohne Beaufsichtigung durchgeführt werden.

BEZEICHNUNG DER TEILE (Abb. 1)

- | | | |
|------------------------|------------------------|-------------------------------|
| 1. Start/Stopp-Hebel | 7. Hebel | 13. Schneidwerk |
| 2. Einschaltsperrknopf | 8. Clip (x2) | 14. Schraube und Federscheibe |
| 3. Obere Griffstange | 9. Grasfänger | 15. Lager |
| 4. Untere Griffstange | 10. Ablenkblech | 16. Antriebswelle |
| 5. Kabel-Zugentlastung | 11. Knopf | |
| 6. Griffstangenklemme | 12. Höheneinstellhebel | |

TECHNISCHE DATEN

| | |
|---------------------------------------|---|
| Modellbezeichnung | UV3600 |
| Spannung | 230–240 V |
| Frequenz | 50 Hz |
| Nenneingangsleistung | 1 800 W |
| Nettogewicht | 15,3 kg |
| Leerlaufdrehzahl | 3 500 min ⁻¹ |
| Maximale Schnittbreite | 360 mm |
| Höhenverstellbereich | 4 Stufen (-10/-5/0/5 mm) |
| Grasfänger-Volumen | 40 L |
| Schutzklasse | IPX4 |
| Schalldruckpegel | 81,24 dB (A), K= 2,50 dB (A) |
| Schalldruckpegel am Ohr des Bedieners | 85,5 dB (A), K=2,50 dB (A) |
| Gemessener Schalleistungspegel | 99,53 dB (A), K= 4,50 dB (A) |
| Garantierter Schalleistungspegel | 104 dB (A) |
| Vibration | 4,673 m/s ² , K=1,5 m/s ² |

SYMBOLLE

Im Folgenden werden die für die Maschine verwendeten Symbole beschrieben. Machen Sie sich vor der Benutzung mit ihrer Bedeutung vertraut.



•Gebrauchsanleitung
lesen.



•Besondere Umsicht
und Aufmerksamkeit
erforderlich.



• Doppelte Isolierung.



• Schutzhandschuhe tragen.



• Feste Schuhe mit rutschfesten Sohlen tragen.



• Augen- und Gehörschutz tragen.



• Warten, bis alle Maschinenteile vollkommen still stehen.



• Auf scharfes Schneidwerk achten.



• Schalten Sie den Motor aus, und ziehen Sie den Netzstecker ab, bevor Sie die Maschine reinigen oder warten, oder falls das Netzkabel beschädigt ist.



• Objekte können mit hoher Geschwindigkeit herausgeschleudert werden.



• Halten Sie einen Sicherheitsabstand zwischen Umstehenden oder Haustieren und dem Arbeitsbereich ein.



• Das Gerät weder Regen noch Feuchtigkeit aussetzen.



• Ziehen Sie sofort den Netzstecker ab, falls das Netzkabel beschädigt oder durchgetrennt wird.



• Es besteht Stromschlaggefahr.



• Halten Sie das Kabel vom Schneidwerk oder den Rädern fern.



• Nur für EG-Länder
Werfen Sie Elektrogeräte nicht in den Hausmüll! Gemäß der Europäischen Richtlinie über Elektro- und Elektronik-Altgeräte und ihre Umsetzung gemäß den Landesgesetzen müssen Elektrogeräte, die das Ende ihrer Lebensdauer erreicht haben, getrennt gesammelt und einer umweltgerechten Recycling-Einrichtung zugeführt werden.

SICHERHEITSHINWEISE

VORGEBRAUCH SORGFÄLTIG LESEN BEDIENUNGSANLEITUNG FÜR SPÄTERE BEZUGNAHME AUFBEWAHREN



Nehmen Sie die Maschine erst in Betrieb, nachdem Sie diese Bedienungsanleitung gelesen haben. Befolgen Sie alle enthaltenen Anweisungen, und installieren Sie die Maschine wie beschrieben.

Verwendungszweck der Maschine

- Diese Maschine ist zum Vertikutieren oder Harken in Gärten vorgesehen.
- Der Vertikutierer ist nur für privaten Gebrauch, nicht für kommerziellen Einsatz, vorgesehen. Benutzen Sie ihn auch nicht an öffentlichen Orten.

Für öffentliche Niederspannungs-Versorgungssysteme mit einer Spannung zwischen 220 V und 250 V.

Schaltvorgänge von Elektrogeräten verursachen Spannungsschwankungen. Der Betrieb dieses Gerätes unter ungünstigen Netzstrombedingungen kann sich nachteilig auf den Betrieb anderer Geräte auswirken. Bei einer Netzstromimpedanz von 0,412 Ohm oder weniger ist anzunehmen, dass keine negativen Effekte auftreten. Die für dieses Gerät verwendete Netzsteckdose muss durch eine Sicherung oder einen Schutzschalter mit trägen Auslöseeigenschaften geschützt sein.

Allgemeine Vorschriften

- Lesen Sie diese Bedienungsanleitung durch, um sich mit der Handhabung der Maschine vertraut zu machen.

- Die Handhabung der Maschine durch unzureichend informierte Benutzer erhöht die Gefahr von Bränden, elektrischen Schlägen oder Verletzungen für den Benutzer und andere Personen.
- Verleihen Sie die Maschine nicht an Personen, die keine einschlägige Erfahrung haben.
- Fügen Sie beim Verleihen der Maschine immer diese Bedienungsanleitung bei.
- Die Maschine sollte nicht von Personen mit reduzierten körperlichen, sensorischen oder geistigen Fähigkeiten oder mangelnder Erfahrung und Kenntnis benutzt werden. Kleine Kinder sollten beaufsichtigt werden, um sicherzugehen, dass sie nicht mit der Maschine spielen.
- Betreiben Sie die Maschine nur, wenn Sie sich in guter körperlicher Verfassung befinden. Führen Sie alle Arbeiten ruhig und sorgfältig durch. Der Benutzer ist für die Sicherheit von Personen und Schäden im Betriebsbereich verantwortlich.
- Benutzen Sie diese Maschine niemals nach der Einnahme von Alkohol oder Drogen, oder wenn Sie sich müde oder krank fühlen.
- Legen Sie eine Ruhepause ein, um den Verlust der Kontrolle durch Ermüdung zu verhüten. Wir empfehlen, jede Stunde eine 10- bis 20-minütige Ruhepause einzulegen.

- Benutzen Sie die Maschine im Einklang mit dieser Anleitung unter Berücksichtigung der Arbeitsbedingungen und der Anwendung. Unbeabsichtigter Gebrauch der Maschine kann zu einer Gefahrensituation führen.
- Die Handhabung der Maschine kann durch staatliche oder lokale Bestimmungen eingeschränkt sein.
- Bleiben Sie wachsam. Lassen Sie bei der Arbeit Vorsicht walten. Seien Sie vernünftig. Benutzen Sie die Maschine nicht, wenn Sie müde sind.
- Tragen Sie eine Staubmaske, um die Verletzungsgefahr zu verringern.
- Tragen Sie bei Gebrauch der Maschinestetsfestes Schuhwerk mit rutschfester Sohle. Dies schützt vor Verletzungen und gewährleistet guten Stand.
- Tragen Sie während der Benutzung der Maschine stets kräftiges Schuhwerk und eine lange Hose. Betreiben Sie die Maschine nicht barfuß oder mit offenen Sandalen.

P e r s ö n l i c h e Schutzausrüstung

- Zweckmäßige Kleidung tragen. Die Kleidung soll zweckmäßig und angemessen, d. h. eng anliegend, aber nicht hinderlich sein. Tragen Sie keine Schmuckgegenstände oder Kleidung, die sich an der Maschine verfangen können. Tragen Sie eine schützende Kopfbedeckung, um langes Haar zu raffen.
- Tragen Sie stets Gehörschützer, um Gehörschäden zu verhüten.
- Tragen Sie eine Schutzbrille, um die Augen vor fliegenden Objekten und Unrat zu schützen.
- Tragen Sie Schutzhandschuhe, um Verletzungen der Finger zu verhüten.
- **Sicherheit im Arbeitsbereich**
- Halten Sie Kinder und Umstehende, einschließlich Tieren, während der Benutzung der Maschine vom Arbeitsbereich fern.
- Überprüfen Sie den Arbeitsbereich auf Vorhandensein von Steinen, Drähten, Glas oder sonstigen Fremdkörpern. Fremdkörper können von der Maschine erfasst oder herausgeschleudert werden, was zu Beschädigung oder Verletzungen führen kann.
- Betreiben Sie die Maschine nur bei guten Sichtverhältnissen und Tageslicht. Betreiben Sie die Maschine nicht bei Dunkelheit oder Nebel.
- Betreiben Sie die Maschine nicht in explosiven Umgebungen, wie z. B. in Gegenwart von brennbaren Flüssigkeiten, Gasen oder Staub. Die Maschine erzeugt Funken, die den Staub oder die Dämpfe entzünden können.

- Setzen Sie die Maschine keinem Regen oder Nässe aus. In die Maschine eindringendes Wasser kann die Gefahr eines elektrischen Schlags erhöhen.

Starten der Maschine

- Bevor Sie den Stecker anschließen oder die Maschine einschalten:
 - Überprüfen Sie den Stecker und das Kabel, um sicherzustellen, dass sie in gutem Zustand sind.
 - Prüfen Sie, ob alle Schrauben, Muttern und andere Befestigungselemente einwandfrei festgezogen sind.
 - Stellen Sie sicher, dass das Schneidwerk angebracht und in gutem Arbeitszustand ist.
 - Stellen Sie sicher, dass Schutzbleche und Sicherheitsvorrichtungen, wie z. B. Ablenker oder Grasfänger, einwandfrei funktionieren.
 - Stellen Sie sicher, dass die Ventilationsöffnungen nicht mit Staub oder sonstigen Fremdkörpern zugesetzt sind. Reinigen Sie die Öffnungen bei Verstopfung mit einer weichen Bürste oder einem Lappen.
 - Ersetzen Sie beschädigte oder unlesbare Aufkleber.
 - Überprüfen Sie alle Teile der Maschine sorgfältig, um festzustellen, ob sie einwandfrei funktioniert und ihren vorgesehenen Zweck erfüllt. Benutzen Sie die Maschine insbesondere dann nicht, wenn der Schalter nicht normal funktioniert.
- Stellen Sie sicher, dass der Schalter in der Aus-Stellung steht, um einen ungewollten Start zu verhüten.
- Stellen Sie sicher, dass alle Wartungswerkzeuge, wie Einstellschlüssel oder Schraubenschlüssel, entfernt sind.
- Falls das Versorgungskabel beschädigt ist, wenden Sie sich an eine autorisierte Makita-Kundendienststelle, um es durch ein Original-Ersatzteil ersetzen zu lassen.
- Benutzen Sie die Maschine keinesfalls, wenn eine Sicherheitsvorrichtung, wie z. B. das Ablenklech oder der Grasfänger, beschädigt oder nicht vorhanden ist.
- Beim Einschalten des Motors:
 - Halten Sie Ihre Füße vom Schneidwerk fern.
 - Kippen Sie die Maschine nicht.
 - Stellen Sie sich nicht vor die Auswurföffnung.
 - Bringen Sie Ihre Hände, andere Körperteile oder Kleidung niemals in die Nähe von beweglichen Teilen.

Elektrische Sicherheit

- Stellen Sie vor Gebrauch sicher, dass der Anschlussstecker an der Maschine in die Steckdose passt.
- Der Anschlussstecker darf auf keinen Fall abgeändert werden.
- Missbrauch des Kabels unterlassen. Benutzen Sie das Kabel niemals zum Tragen, Ziehen oder Abtrennen der Maschine. Halten Sie das Kabel von Hitze, Öl, scharfen Kanten oder beweglichen Teilen fern. Ein beschädigtes oder verheddertes Kabel erhöht die Stromschlaggefahr.
- Überprüfen Sie das Verlängerungskabel regelmäßig auf Beschädigung der Isolierung. Ersetzen Sie es bei Beschädigung.
- Falls das Verbindungskabel beschädigt wird, ziehen Sie sofort den Netzstecker ab. Ein beschädigtes Kabel kann Kontakt mit Strom führenden Teilen und einen elektrischen Schlag verursachen.
- Niemals ein beschädigtes Kabel verwenden.
- Halten Sie das Kabel und Verlängerungskabel von Schneidwerk und Rädern fern. Das Schneidwerk kann das Kabel beschädigen und einen elektrischen Schlag verursachen.
- Wenn Sie die Maschine im Freien benutzen, verwenden Sie immer einen Fehlerstrom-

Schutzschalter (RCD) mit einem Betriebsstrom von maximal 30 mA.

- Verwenden Sie nur ein Verlängerungskabel für Freiluftbenutzung mit spritzwassergeschütztem Stecker. Der Kabelquerschnitt muss mindestens 1,5 mm² für Kabellängen bis zu 25 m, und 2,5 mm² für Kabellängen über 25 m betragen.
- Die Maschine sollte nur an eine Stromquelle angeschlossen werden, deren Spannung mit der Angabe auf dem Typenschild übereinstimmt, und kann nur mit Einphasen-Wechselstrom betrieben werden. Diese sind gemäß dem Europa-Standard doppeltisoliert und können daher auch an Steckdosen ohne Erdleiter verwendet werden.
- Vermeiden Sie Körperkontakt mit geerdeten Gegenständen (z. B. Rohre, Kühler, Herde, Kühlschränke).

Betrieb

- Vermeiden Sie den Betrieb auf nassem Gras. Lassen Sie beim Arbeiten auf nassem Gras besondere Vorsicht walten, um Ausrutschen zu vermeiden.
- Halten Sie den Handgriff während des Betriebs mit beiden Händen fest. Halten Sie den Handgriff trocken und sauber, um Unfälle zu verhüten.
- Nicht laufen. Arbeiten Sie nur im Gehen.

- Achten Sie beim Arbeiten auf Böschungen besonders auf Ihren Halt.
- Führen Sie die Maschine auf einer Böschung nicht direkt nach oben oder unten. Arbeiten Sie immer entlang einer horizontalen Linie.
- Lassen Sie beim Wenden der Maschine auf einer Böschung besondere Vorsicht walten.
- Arbeiten Sie niemals auf einer steilen Böschung.
- Lassen Sie äußerste Vorsicht walten, wenn Sie die Maschine rückwärts betreiben oder auf sich zu ziehen.
- Übernehmen Sie sich nicht. Achten Sie stets auf sicheren Stand und gute Balance. Sie haben dann in unerwarteten Situationen eine bessere Kontrolle über die Maschine.
- Immer Folgendes beachten:
 - Halten Sie Ihre Füße vom Schneidwerk fern.
 - Kippen Sie die Maschine nicht.
 - Stellen Sie sich nicht vor die Auswurföffnung.
 - Bringen Sie Ihre Hände, andere Körperteile oder Kleidung niemals in die Nähe von beweglichen Teilen.
- Üben Sie keinen übermäßigen Druck auf die Maschine aus. Die Maschine kann ihren Zweck besser und sicherer erfüllen, wenn sie sachgemäß gehandhabt wird. Häufige Überlastung kann eine Beschädigung des Motors oder einen Brand verursachen.
- Motor ausschalten und Stecker abziehen:
 - Wann immer Sie die Maschine unbeaufsichtigt lassen
 - Bevor Sie eine Blockierung oder einen Fehler beseitigen
 - Bevor Sie die Maschine überprüfen, reinigen oder daran arbeiten
 - Bevor Sie Einstellungen vornehmen, Zubehör wechseln oder die Maschine lagern
 - Wenn die Maschine einen Fremdkörper erfasst. Warten Sie, bis die Maschine abgekühlt ist. Überprüfen Sie die Maschine, und wechseln Sie nötigenfalls Teile aus, bevor Sie die Arbeit fortsetzen
 - Wann immer die Maschine zu vibrieren beginnt oder ungewöhnliche Geräusche erzeugt
 - Wenn der Grasfänger angebracht oder entfernt wird
 - Wenn eine Person Ihren Arbeitsbereich betritt
 - Wenn Sie andere Flächen außer Gras überqueren
 - Beim Transportieren.
- Halten Sie das Schneidwerk an:
 - Falls Sie die Maschine gekippt haben

- Wenn Sie andere Flächen außer Gras überqueren
- Transportieren der Maschine zu und von den zu bearbeitenden Flächen.
- Achten Sie auf das Schneidwerk. Das Schneidwerk bleibt nicht sofort nach dem Ausschalten stehen.

Wartungsvorschriften

- Lassen Sie Ihre Maschine immer von einer unserer autorisierten Kundendienststellen unter Verwendung von Original-Ersatzteilen warten. Unsachgemäße Reparatur und schlechte Wartung können die Lebensdauer der Maschine verkürzen und die Unfallgefahr erhöhen.
- Führen Sie regelmäßige Inspektionen der Maschine durch.
- Vor Wartung, Inspektion, Einstellung, Lagerung oder Austausch eines Zubehörs sind die folgenden Maßnahmen zu treffen:
 - Die Stromquelle abschalten
 - Die Maschine von der Stromversorgung trennen
 - Vergewissern Sie sich, dass alle beweglichen Teile zum vollständigen Stillstand gekommen sind.
 - Lassen Sie die Maschine abkühlen.
- Überprüfen Sie die Maschine auf mögliche Beschädigung:
 - Ob die Schutzvorrichtungen ihre bestimmungsgemäße Funktion erfüllen
 - Ab alle beweglichen Teile reibungslos und angemessen funktionieren
 - Ob alle Teile unbeschädigt und korrekt eingebaut sind
 - Überprüfen Sie das Schneidwerk auf etwaige Beschädigung, Abnutzung oder Unwucht
 - Überprüfen Sie den Grasfänger regelmäßig auf etwaige Beschädigung oder Abnutzung
 - Stellen Sie sicher, dass alle Muttern, Bolzen und Schrauben fest angezogen sind
 - Lassen Sie beschädigte oder abgenutzte Teile von einer unserer autorisierten Kundendienststellen austauschen oder reparieren.
- Führen Sie außer den in dieser Bedienungsanleitung beschriebenen Wartungs- oder Reparaturarbeiten keine anderen Arbeiten aus. Darüber hinausgehende Arbeiten müssen von einer autorisierten Makita-Kundendienststelle ausgeführt werden.
- Verwenden Sie nur für Ihre Maschine vorgesehene Original-Makita-Ersatz- und Zubehörteile. Anderenfalls kann es zu Verletzungen oder Beschädigung der Maschine kommen.

- Lagern Sie die Maschine in einem trockenen Raum. Halten Sie sie außer Reichweite von Kindern. Lagern Sie die Maschine keinesfalls im Freien.

Vibration

- Personen mit Kreislaufstörungen, die starken Vibrationen ausgesetzt werden, können Schädigungen der Blutgefäße oder des Nervensystems erleiden. Vibrationen können folgende Symptome an Fingern, Händen oder Handgelenken verursachen: „Einschlafen“ (Taubheit) der Körperteile, Prickeln, Schmerzen, Stechen, Veränderungen der Hautfarbe oder der Haut. Falls eines dieser Symptome auftritt, suchen Sie einen Arzt auf.
- Um die Gefährdes-„vibrationsbedingten vasospastischen Syndroms“ (VVS) zu verringern, halten Sie Ihre Hände während der Arbeit warm, und sorgen Sie dafür, dass Ausrüstung und Zubehör gut gewartet sind.

⚠ **WARNUNG:**

- Diese Maschine erzeugt ein elektromagnetisches Feld während der Arbeit. Personen mit medizinischen Implantaten sollten daher vor der Benutzung dieser Maschine Ihren Arzt und den Implantathersteller konsultieren. Anderenfalls kann das elektromagnetische Feld die medizinischen Implantate beeinflussen und ernsthafte Gesundheitsschäden verursachen.

MONTAGE

⚠ **VORSICHT:**

- Vergewissern Sie sich vor der Ausführung von Arbeiten an der Maschine stets, dass sie ausgeschaltet und vom Stromnetz getrennt ist.

Zusammenbauen der Griffstange (Abb. 2, 3)

- 1) Die untere Griffstange (4) mit den Knöpfen (11) an der Maschine befestigen.
- 2) Die obere Griffstange (3) auf die untere Griffstange setzen, und dann die Teile mit zwei Abstandshülsen, Mutter und Hebel (7) befestigen.
- 3) Das Kabel mit den Clips (8) an der Griffstange sichern.

Zusammenbauen des Grasfängers

⚠ **VORSICHT:**

- Betreiben Sie die Maschine nicht ohne den Grasfänger. Anderenfalls können ausgeworfene Objekte Verletzungen verursachen.
- Für Anwendungen mit rückwärtigem Auswurf bei ausgesetzten hinteren Rollen ist voller Augenschutz zu tragen, wenn die Maschine ohne den Grasfänger benutzt wird.

HINWEIS:

- Die Leistung der Maschine verringert sich, wenn der Grasfänger voll ist. Leeren Sie den Grasfänger regelmäßig, bevor er ganz voll wird.

Anbringen des Grasfängers

Das Ablenklech (10) hochziehen und festhalten. Die Haken am Grasfänger in die Nuten der Maschine einhängen.

Abnehmen des Grasfängers

Das Ablenklech (10) hochziehen und festhalten. Den Grasfänger durch Lösen der Haken aus den Nuten der Maschine abnehmen.

Kabel-Zugentlastung (Abb. 4)

Die Kabel-Zugentlastung (5) trägt dazu bei, Verfangen des Kabels an Messer oder Rad zu verhüten.

Machen Sie eine kleine Schleife am Ende des Netzkabels, ziehen Sie diese durch die Öffnung der Kabel-Zugentlastung, und hängen Sie sie dann an den Haken.

Berücksichtigen Sie während der Arbeit stets die Position des Kabels. Fangen Sie am nächsten Punkt zur Stromquelle mit der Arbeit an, um versehentliches Durchtrennen des Kabels zu verhüten. Es wird empfohlen, das Kabel während der Arbeit auf die Schulter zu legen.

Aus- und Einbauen des Schneidwerks

⚠ **VORSICHT:**

- Schutzhandschuhe tragen.
- Bei der Handhabung des Schneidwerks besondere Vorsicht walten lassen. Das Schneidwerk ist sehr scharf und kann während des Betriebs heiß werden.

- Verwenden Sie stets ein für die jeweilige Arbeit geeignetes Schneidwerk.
- Vergewissern Sie sich vor Arbeitsbeginn, dass die zwei Schrauben, mit denen das Schneidwerk an der Maschine befestigt ist, fest angezogen sind. Benutzen Sie die Maschine nicht, wenn die Schraube locker ist oder fehlt. Falls sie beschädigt ist, ersetzen Sie sie unverzüglich.
- Benutzen Sie die Maschine nicht, wenn sie sich nicht mit dem Netzschalter ein- und ausschalten lässt. Lassen Sie fehlerhafte Schalter von einer autorisierten Makita-Kundendienststelle auswechseln.

Start/Stopp-Hebel

Zum Starten der Maschine den Einschaltsperrknopf (2) gedrückt halten, und dann den Start/Stopp-Hebel (1) vollständig anziehen und festhalten. Wenn der Start/Stopp-Hebel einmal gezogen wird, braucht der Einschaltsperrknopf nicht mehr gedrückt gehalten zu werden.

Zum Stoppen der Maschine lassen Sie einfach den Start/Stopp-Hebel los.

Griffstangenwinkleinstellung

Sie können den Winkel der oberen Griffstange ändern.

- 1) Die Griffstangenklemmen (6) entriegeln.
- 2) Den Winkel der oberen Griffstange (3) einstellen.
- 3) Die Griffstangenklemmen wieder verriegeln.

Höheneinstellung

Je nach dem Zustand des Rasens muss die Höhe des Schneidwerks eingestellt werden.

Die nachstehende Tabelle enthält grobe Richtwerte für die Schnitftiefeinstellung.

Ausbauen des Schneidwerks

- 1) Den Grasfänger (9) entfernen.
- 2) Die Griffstange von der Maschine abmontieren.
- 3) Die Maschine umgedreht auf eine flache Oberfläche legen.
- 4) Die zwei Schrauben (14) lösen. Die Schrauben und die Federscheiben entfernen.
- 5) Den Lagerteil des Schneidwerks (15) anheben, und dann das Schneidwerk (13) von der Antriebswelle (16) abziehen.

Einbauen des Schneidwerks

- 1) Den Sechskant des Schneidwerks in die Fassung der Antriebswelle einschieben.
- 2) Den Lagerteil mit den Schrauben und Federscheiben an der Maschine befestigen.

FUNKTIONSBESCHREIBUNG

⚠ WARNUNG:

- Vergewissern Sie sich immer, dass die Maschine ausgeschaltet ist, bevor Sie sie ans Stromnetz anschließen. Wird die Maschine bei eingeschaltetem Schalter angeschlossen, kann sie plötzlich anlaufen und schwere Verletzungen verursachen.
- Benutzen Sie die Maschine niemals mit beschädigtem Netzkabel. Anderenfalls kann es zu einem elektrischen Schlag kommen.

| Höhe | Benutzung | |
|--------|--|---|
| | Vertikutieren | Harken (Sonderzubehör) |
| +5 mm | Für Transport und Lagerung. Vertikutieren von empfindlichem Rasen. Rasenfilz in dünnen Lagen entfernen. Zweiter Vertikutierdurchgang im Herbst. | Für Transport und Lagerung. Harken von normalem Rasen. |
| 0 mm | Vertikutieren von normalem Rasen. Rasenfilz in normalen Lagen entfernen. | Harken von grobem, dicken Rasen. |
| -5 mm | Vertikutieren von normalem Rasen. Rasenfilz in dicken Lagen entfernen. | NICHT für Harkarbeit verwenden. |
| -10 mm | Vertikutieren von grobem, dicken Rasen. Rasenfilz in dicken Lagen entfernen. | NICHT für Harkarbeit verwenden. |

Ändern der Höhe

Den Höheneinstellhebel (12) nach außen drücken und auf die gewünschte Position schieben.

Überlastschutz

Diese Maschine ist mit einem Überlastschutz ausgestattet, der in den folgenden Situationen aktiviert wird:

- Das Schneidwerk wird zugesetzt, weil sich Vertikutiergut drumherum angesammelt hat.
- Der Motor wird durch eine zu hohe Vertikutiereinstellung überfordert.
- Irgend etwas behindert die Drehung des Schneidwerks.

Wenn dieser Schutz in Kraft tritt, schaltet sich die Maschine automatisch aus.

Falls dies eintritt, ziehen Sie den Netzstecker ab, lassen Sie die Maschine abkühlen, und beseitigen Sie die Ursache der Überlastung, bevor Sie die Maschine wieder starten.

BETRIEB

Arbeitstipps:

- Mähen Sie den Rasen vor dem Vertikutieren, und düngen Sie ihn danach.
- Stellen Sie die Schnitttiefe des Schneidwerks entsprechend der Grashöhe und dem Wetter ein.
- Vermeiden Sie den Betrieb auf nassem Gras. Das Gras neigt sonst zum Anhaften an der Auswurföffnung und anderen Teilen der Maschine. Außerdem besteht erhöhte Gefahr, dass Sie ausrutschen und hinfallen.
- Rücken Sie nicht zu schnell vor. Schieben Sie die Maschine langsam. Anderenfalls kann sich die Auswurföffnung zusetzen, und der Motor kann überlastet werden.
- Arbeiten Sie entlang einer möglichst geraden Linie.
- Erzeugen Sie geringfügig überlappende Vertikutierlinien. So erhalten Sie eine gleichmäßige und ebene Fläche.
- Wenn ein Blumenbeet im Arbeitsbereich vorhanden ist, machen Sie einen oder zwei Kreise um das Blumenbeet.
- Lassen Sie beim Wenden der Maschine besondere Vorsicht walten.
- Bleiben Sie nicht an einer Position stehen. Dadurch wird der Rasen beschädigt.

Tipps zum Vertikutieren:

- Berücksichtigen Sie stets das Wetter. Warmes, sonniges und feuchtes Wetter eignet sich gut zum Vertikutieren, weil sich der Rasen besser erholen kann. Vermeiden Sie dagegen kaltes, heißes und trockenes Wetter.
- Vertikutieren Sie den Rasen während des Frühlings.
- Falls der Sommer feucht ist, vertikutieren Sie den Rasen im Frühherbst.
- Unterlassen Sie das Vertikutieren während der extrem heißen Sommerzeit.
- Falls der Sommer sehr trocken ist, vertikutieren Sie nicht im Herbst.

Tipps zum Harken:

- Reichlich Luft wird für den Wurzelbereich des Rasens benötigt, um gesundes Wachstum im Frühling aufrechtzuerhalten.
- Es wird empfohlen, den Rasen im Einklang mit seinem Zustand alle 4 – 6 Wochen zu aerifizieren.

WARTUNG

⚠ VORSICHT:

- Vergewissern Sie sich stets, dass die Maschine ausgeschaltet und vom Stromnetz getrennt ist, bevor Sie Inspektions- oder Wartungsarbeiten durchführen.
- Ziehen Sie Schutzhandschuhe an, bevor Sie Inspektions- oder Wartungsarbeiten durchführen.
- Das Schneidwerk bleibt nicht sofort nach dem Ausschalten stehen. Warten Sie, bis alle Teile still stehen, bevor Sie Wartungsarbeiten durchführen.
- Vergewissern Sie sich nach der Wartungsarbeit, dass alle Werkzeuge entfernt worden sind.
- Verwenden Sie auf keinen Fall Benzin, Benzol, Verdünner, Alkohol oder dergleichen zum Reinigen. Solche Mittel können Verfärbung, Verformung oder Rissbildung verursachen. Verwenden Sie ein feuchtes Tuch und eine weiche Bürste zum Reinigen der Maschine.
- Verwenden Sie keinen Hochdruckwasser zum Reinigen der Maschine.

Beim Transportieren der Maschine sind die folgenden Punkte zu beachten:

- Schalten Sie den Motor ab, ziehen Sie den Netzstecker ab, und warten Sie, bis das Schneidwerk zum Stillstand kommt.
- Stellen Sie die Tiefe des Schneidwerks auf die Transporthöhe ein.
- Halten Sie die Maschine zum Transportieren immer am Handgriff.
- Vermeiden Sie schwere Stöße oder starke Vibrationen.
- Sichern Sie die Maschine einwandfrei, wenn sie in ein Fahrzeug geladen wird.

Führen Sie die folgenden Schritte nach jeder Benutzung

durch:

- Schalten Sie den Motor ab, ziehen Sie den Netzstecker ab, und warten Sie, bis das Schneidwerk zu Stillstand kommt.
- Reinigen Sie den Grasfänger. Lagern Sie ihn in einem trockenen Raum.
- Überprüfen und reinigen Sie die Maschine, und lagern Sie sie in einem trockenen Raum.

Führen Sie die folgenden Arbeiten regelmäßig durch:

- Stellen Sie sicher, dass alle Befestiger, z. B. Schrauben, Muttern usw., fest angezogen sind.
- Überprüfen Sie die Maschine auf Defekte, z. B. lose, abgenutzte oder beschädigte Teile. Ersetzen Sie die Teile nötigenfalls.
- Stellen Sie sicher, dass die Abdeckungen und Schutzbleche nicht beschädigt oder verformt sind.
- Falls die Maschine während des Betriebs anormal

- zu vibrieren beginnt, kann die Ursache in einem unausgewuchteten oder verformten Schneidwerk durch Aufprall von Fremdkörpern liegen. Lassen Sie das Schneidwerk bei Bedarf von einer autorisierten Kundendienststelle reparieren oder austauschen.
- Das Schneidwerk nutzt im Laufe der Zeit ab. Überprüfen Sie den Zustand des Schneidwerks und seine Stabilität regelmäßig. Tauschen Sie das Schneidwerk aus, wenn es abgenutzt oder stumpf geworden ist.
- Reinigen und schmieren Sie alle Schraubenteile vor der Lagerung.

FEHLERSUCHE

WARNUNG: Bevor Sie mit der Störungsbehebung beginnen, sollten Sie die Maschine ausschalten, den Netzstecker abziehen und warten, bis die Maschine vollkommen still steht.

| Störung | Mögliche Ursache | Abhilfemaßnahme |
|---|--|--|
| Die Maschine startet nicht. | Die Stromversorgung ist nicht angeschlossen. | Schließen Sie die Stromversorgung an. |
| | Defekt des Netzkabels. | Ziehen Sie das Netzkabel sofort ab. Wenden Sie sich bezüglich einer Reparatur an Ihre autorisierte Makita-Kundendienststelle. |
| | Defekt im Stromkreis. | Wenden Sie sich bezüglich einer Reparatur an Ihre autorisierte Makita-Kundendienststelle. |
| | Der Einschaltsperrknopf wurde nicht gedrückt. | Drücken Sie den Einschaltsperrknopf, und ziehen Sie den Start/Stop-Hebel. |
| Die Maschine erzeugt Knackgeräusche. | Fremdkörper haben sich im Schneidwerk verfangen. | Schalten Sie den Motor aus, ziehen Sie den Netzstecker ab, und warten Sie, bis das Schneidwerk zum Stillstand kommt. Entfernen Sie dann den Fremdkörper. |
| Die Maschine erzeugt merkwürdige Geräusche. | Defekt des Antriebsriemens | Wenden Sie sich bezüglich einer Reparatur an Ihre autorisierte Makita-Kundendienststelle. |
| Die Maschine erreicht ihre Maximalleistung nicht. | Die Stromquelle hat eine niedrigere Spannung als erforderlich. | Versuchen Sie es mit einer anderen Stromquelle. Prüfen Sie, ob eine geeignete Stromquelle verwendet wird. |
| | Die Ventilationsöffnungen sind verstopft. | Reinigen Sie die Ventilationsöffnungen. |
| Schlechtes Ergebnis. | Das Gras ist zu hoch. | Mähen Sie das Gras vor dem Vertikutieren. |
| | Das Schneidwerk ist abgenutzt oder beschädigt. | Tauschen Sie es aus. |
| | Die vertikutierte Fläche überschreitet die Kapazität der Maschine. | Vertikutieren Sie nur Flächen, die der Maschinenkapazität entsprechen. |
| | Die Vertikutiertiefe ist nicht korrekt. | Stellen Sie die Tiefe des Schneidwerks ein. |

⚠ VORSICHT:

- Die folgenden Zubehörteile oder Vorrichtungen werden für den Einsatz mit dem in dieser Anleitung beschriebenen Makita-Gerät empfohlen. Die Verwendung anderer Zubehörteile oder Vorrichtungen kann eine Verletzungsgefahr darstellen. Verwenden Sie die Zubehörteile oder Aufsätze nur für ihre angegebenen Zwecke.
- Wenn Sie weitere Einzelheiten bezüglich dieser Zubehörteile benötigen, wenden Sie sich bitte an Ihre Makita-Kundendienststelle.

Mehrere Schneidwerk-Typen sind erhältlich:

- Vertikutiermesser - Die scharfe Schneide des Messers vertikutiert den Boden und schneidet Wurzeln.
- Harkmesser (Sonderzubehör) - Entfernt Gras und Blätter mit feinen Nadeln.
- Kombimesser (Sonderzubehör) - Gleichzeitiges Harken und Vertikutieren.

BEMERKUNG:

- Manche Teile in der Liste können als Standardzubehör im Werkzeugsatz enthalten sein. Sie können von Land zu Land unterschiedlich sein.

EG-Übereinstimmungserklärung

Makita erklärt, dass die folgende(n) Maschine(n):

Bezeichnung der Maschine:

Elektro-Vertikutierer

Modell-Nr./Typ: UV3600

den folgenden europäischen Richtlinien entsprechen:

2000/14/EG abgeändert durch 2005/88/EG, 2006/42/EG, 2004/108/EG, 2011/65/EG

Sie werden gemäß den folgenden Standards oder standardisierten Dokumenten hergestellt:

EN60335, EN13684

Die technische Akte in Übereinstimmung mit 2006/42/EG ist erhältlich von:

Makita, Jan-Baptist Vinkstraat 2, 3070, Belgien

Das von der Richtlinie 2000/14/EG geforderte Konformitätsbewertungsverfahren war in Übereinstimmung mit Anhang V.

Gemessener Schalleistungspegel: 99,53 dB (A)

Garantierter Schalleistungspegel: 104 dB (A)

21.11.2014



Yasushi Fukaya
Direktor

Makita, Jan-Baptist Vinkstraat 2, 3070, Belgien

AVVERTIMENTO: Questo utensile può essere usato dai bambini di 8 anni e oltre, e dalle persone con capacità fisiche, sensoriali o mentali ridotte, o senza esperienza o conoscenza, se sono sotto la supervisione o hanno ricevuto le istruzioni per l'utilizzo sicuro dell'utensile e capiscono i rischi che comporta. I bambini non devono giocare con l'utensile. La pulizia e la manutenzione non devono essere fatte dai bambini senza supervisione.

DESIGNAZIONE DELLE PARTI (Fig. 1)

- | | | |
|--------------------------------------|---------------------------------|---------------------------------|
| 1. Leva di avviamento/arresto | 7. Leva | 14. Bullone e rondella elastica |
| 2. Bottone di sblocco | 8. Clip (x2) | 15. Cuscinetto |
| 3. Barra manubrio superiore | 9. Raccogliitore erba | 16. Albero di trasmissione |
| 4. Barra manubrio inferiore | 10. Protezione deflettore | |
| 5. Rilascio tensione cavo | 11. Manopola | |
| 6. Dispositivo di fissaggio manubrio | 12. Leva di regolazione altezza | |
| | 13. Attrezzo di taglio | |

DATI TECNICI

| | |
|---|---|
| Nome modello | UV3600 |
| Tensione | 230-240 V |
| Frequenza | 50 Hz |
| Potenza d'ingresso nominale | 1.800 W |
| Peso netto | 15,3 kg |
| Velocità a vuoto | 3.500 min ⁻¹ |
| Larghezza massima di taglio | 360 mm |
| Gamma altezza lavoro | 4 passi (-10/-5/0/5 mm) |
| Volume raccogliitore erba | 40 litri |
| Classe di protezione | IPX4 |
| Livello di pressione sonora | 81,24 dB (A), K= 2,50 dB (A) |
| Livello di pressione sonora all'orecchio dell'operatore | 85,5 dB (A), K=2,50 dB (A) |
| Livello di potenza sonora misurato | 99,53 dB (A), K= 4,50 dB (A) |
| Livello di potenza sonora garantito | 104 dB (A) |
| Vibrazione | 4,673 m/s ² , K=1,5 m/s ² |

SIMBOLI

Quanto segue mostra i simboli usati per questa macchina. Bisogna capire il loro significato prima dell'uso.



• Leggere il manuale di istruzioni.



• Prestare una particolare cura e attenzione.



• Doppio isolamento.



• Indossare guanti di protezione.



- Calzare scarponi con soles antiscivolo.



- Mettersi le protezioni per gli occhi e le orecchie.



- Aspettare finché le parti della macchina si sono arrestate completamente.



- Fare attenzione agli attrezzi di taglio affilati.



- Spegner il motore e staccare il cavo di alimentazione dalla presa di corrente prima della pulizia o della manutenzione, oppure se il cavo di alimentazione è danneggiato.



- Potrebbero essere scagliati fuori oggetti ad alta velocità.



- Mantenere una distanza di sicurezza tra gli astanti, gli animali domestici, e l'area di lavoro.



- Non esporre alla pioggia o all'umidità.



- **S t a c c a r e** immediatamente la spina dalla presa di corrente se il cavo di alimentazione si danneggia o viene tagliato.



- Rischio di scossa elettrica.



- Tenere il cavo lontano dagli attrezzi di taglio o dischi.



- Soltanto per i Paesi UE
Non disfarsi degli apparecchi elettrici insieme con i rifiuti domestici!

In osservanza alla direttiva europea riguardo alla rottamazione degli apparecchi elettrici ed elettronici e alla sua implementazione in conformità con le leggi nazionali, gli apparecchi elettrici che hanno raggiunto la fine della loro vita di servizio devono essere raccolti separatamente e portati a un centro di riciclaggio compatibile con l'ambiente.

AVVERTENZE DI SICUREZZA

**LEGGERE CON CURA PRIMA DI USARE
CONSERVARE IL MANUALE DI ISTRUZIONI PER RIFERIMENTI FUTURI**



Non si deve cominciare a far funzionare la macchina prima di aver letto queste istruzioni per l'uso. Osservare tutte le istruzioni fornite, e installare la macchina come descritto.

Scopo prefissato della macchina

- Questa macchina ha lo scopo di scarificare o di rastrellare i giardini.
- Questo scarificatore è inteso esclusivamente per l'uso privato, e non per un uso commerciale. Non va inoltre usato in luoghi pubblici.

Per reti elettriche a bassa tensione tra 220V e 250V.

L'accensione e lo spegnimento di apparecchiature elettriche provoca oscillazioni della tensione. Il funzionamento del presente dispositivo in condizioni diverse da quelle consigliate può provocare interferenze nel funzionamento di altre apparecchiature. Non dovrebbero presentarsi problemi con un'impedenza di rete pari o inferiore a 0,412 Ohm. La presa di corrente a cui viene collegato il presente dispositivo deve essere protetta da un fusibile o interruttore di protezione avente un ritardo di scatto lento.

Istruzioni generali

- Leggere questo manuale di istruzioni per familiarizzarsi con il modo di utilizzo della macchina. L'uso della macchina da chi non è sufficientemente informato aumenta il rischio di incendio, di scosse elettriche o di incidenti all'operatore stesso come pure agli altri.
- Non prestare la macchina a chi non è di provata esperienza.

- Quando si presta la macchina, bisogna allegare sempre il manuale di istruzioni.
- Questa macchina non deve essere usata dalle persone con capacità fisiche, sensoriali o mentali ridotte, o che non hanno esperienza e conoscenza. I bambini devono essere sorvegliati, per essere sicuri che non giochino con la macchina.
- La macchina va usata soltanto se si è in buone condizioni fisiche. Eseguire ogni lavoro con calma e cura. L'operatore è responsabile della sicurezza di tutte le persone e dei danni intorno all'area di lavoro.
- La macchina non deve mai essere usata dopo il consumo di alcol o medicine, oppure in caso di stanchezza o di malattia.
- Fare una pausa per evitare una perdita di controllo dovuta a stanchezza. Sono consigliabili dai 10 ai 20 minuti di pausa ogni ora.
- Usare la macchina secondo queste istruzioni, tenendo in considerazione le condizioni di lavoro e di utilizzo. L'uso imprevisto della macchina potrebbe causare una situazione pericolosa.
- Le leggi nazionali o locali potrebbero limitare l'utilizzo della macchina.
- Stare sempre pronti. Fare attenzione a quello che si sta facendo. Usare buon senso. Non usare la macchina se si è stanchi.

Equipaggiamento personale di protezione

- Vestirsi in modo appropriato. Il vestito indossato deve essere funzionale e appropriato, e cioè deve essere aderente senza che ciò sia di ostacolo. Non portare gioielli o indossare vestiti che potrebbero impigliarsi nella macchina. Indossare un copricapo per raccogliere i capelli lunghi.
- Mettersi sempre le protezioni per le orecchie, per evitare la perdita dell'udito.
- Portare occhiali di protezione o occhialoni, per proteggere gli occhi da oggetti e frammenti volanti.
- Mettersi guanti di protezione, per evitare ferite alle dita.
- Portare una mascherina antipolvere per ridurre ogni rischio.
- Usando la macchina, calzare sempre scarpe robuste con soles antiscivolo. Ciò protegge dagli incidenti e assicura un buon appoggio sul terreno.
- Quando si usa la macchina, usare sempre calzature solide e indossare pantaloni lunghi. Non usare la macchina a piedi nudi o con sandali aperti.

Sicurezza dell'area di lavoro

- Durante l'uso della macchina, tenere i bambini e gli astanti, animali compresi, lontani dall'area di lavoro.

- Accertarsi che nell'area di lavoro non ci siano sassi, fili di ferro, vetri o altri oggetti estranei. Gli oggetti estranei potrebbero essere presi o scagliati dalla macchina, causando danni o incidenti.
- La macchina deve essere fatta funzionare soltanto in buone condizioni di visibilità e di luce diurna. La macchina non deve essere usata al buio o nella nebbia.
- La macchina non deve essere usata in atmosfere esplosive, come in presenza di liquidi, gas o polvere infiammabili. La macchina produce scintille che potrebbero dar fuoco alla polvere o fumi.
- Non esporre la macchina alla pioggia o al bagnato. L'acqua che entra nella macchina potrebbe aumentare il rischio di scosse elettriche.

Avviamento della macchina

- Prima di collegare la spina o di accendere la macchina:
 - Controllare che la spina e il cavo di alimentazione siano in buone condizioni.
 - Controllare che le viti, i dadi e gli altri dispositivi di fissaggio siano stretti saldamente.
 - Accertarsi che gli attrezzi di taglio siano in posizione e in buone condizioni d'utilizzo.
 - Accertarsi che le protezioni e i dispositivi di sicurezza, come i deflettori o il

- raccogliitore erba, funzionino correttamente.
- Controllare che le aperture di ventilazione non siano coperte di polvere o di altre sostanze estranee. Pulirle con una spazzola o panno morbidi se sono bloccate.
- Sostituire le etichette danneggiate o illeggibili.
- Controllare con cura tutte le parti della macchina, per determinare se essa funziona correttamente ed esegue la sua funzione prescritta. In particolar modo, la macchina non deve mai essere usata se l'interruttore non funziona normalmente.
- Accertarsi che l'interruttore sia disattivato per prevenire un avviamento accidentale.
- Controllare che tutti gli attrezzi di manutenzione, come la chiave di regolazione o la chiave a settore, siano stati rimossi.
- Se il cavo di alimentazione è danneggiato, chiedere a un centro di servizio Makita autorizzato di sostituirlo usando ricambi genuini.
- La macchina non deve mai essere usata se un dispositivo di sicurezza, come la protezione deflettore o il raccogliitore erba, è danneggiato o manca.
- Quando si accende il motore:
 - Tenere i piedi lontani dagli attrezzi di taglio.
 - Non inclinare la macchina.

- Non stare davanti alla apertura di scarico.
- Mai mettere le mani o altre parti del corpo o del vestito vicino alle parti in movimento.

Sicurezza elettrica

- Accertarsi che la spina del connettore della macchina entri nella presa prima dell'uso.
- Mai modificare la spina del connettore.
- Non bistrattare il cavo. Il cavo non deve mai essere usato per trasportare, tirare o scollegare la macchina. Tenere il cavo lontano dal calore, olio, bordi taglienti o parti in movimento. Il cavo danneggiato o impigliato aumenta il pericolo di scosse elettriche.
- Controllare regolarmente se l'isolamento del cavo di prolunga è danneggiato. Sostituirlo se è danneggiato.
- Se il cavo di collegamento è danneggiato, staccare immediatamente la spina dalla presa di corrente. Se il cavo è danneggiato, potrebbe causare un contatto con le parti sotto tensione e una scossa elettrica.
- Il cavo non deve mai essere usato se è danneggiato.
- Tenere il cavo di alimentazione e il cavo di prolunga lontani dagli attrezzi di taglio e dischi. Gli attrezzi di taglio potrebbero danneggiare il cavo e causare scosse elettriche.

- Quando si usa la macchina all'aperto, usare sempre un interruttore di circuito che funziona con la corrente residua (RCD), con una corrente di funzionamento di 30 mA o meno.
- Usare soltanto un cavo di prolunga per l'uso all'aperto, con connettore a prova di spruzzi. La sua sezione trasversale deve essere di almeno 1,5 mm² per i cavi con una lunghezza fino a 25 m, e di 2,5 mm² per i cavi con una lunghezza di oltre 25 m.
- La macchina deve essere collegata soltanto a una fonte di alimentazione con la stessa tensione indicata sulla targhetta del nome, e può funzionare soltanto con una fonte di alimentazione c.a. monofase. Essi hanno un doppio isolamento in conformità agli standard europei, per cui possono essere usati anche con le prese senza messa a terra.
- Evitare il contatto del corpo con superfici messe a terra o a massa (per es., tubazioni, radiatori, fornelli, frigoriferi).

Utilizzo

- Evitare l'utilizzo sull'erba bagnata. Lavorando sull'erba bagnata, fare molta attenzione a non scivolare.
- Tenere saldamente il manubrio con entrambe le mani durante l'utilizzo. Mantenere il manubrio asciutto e pulito per evitare incidenti.
- Non correre. Durante il lavoro camminare soltanto.
- Fare particolarmente attenzione a dove si mettono i piedi lavorando su un pendio.
- Non lavorare direttamente su o giù su un pendio. Lavorare sempre lungo una linea orizzontale.
- Fare particolarmente attenzione girando la macchina su un pendio.
- Mai lavorare su un pendio ripido.
- Fare estremamente attenzione invertendo o tirando la macchina verso di sé.
- Non protendersi. Mantenere sempre i piedi appoggiati saldamente e il corpo bilanciato. Ciò permette un miglior controllo della macchina in situazioni impreviste.
- Ricordare sempre:
 - Tenere i piedi lontani dagli attrezzi di taglio.
 - Non inclinare la macchina.
 - Non stare davanti alla apertura di scarico.
 - Mai mettere le mani o altre parti del corpo o del vestito vicino alle parti in movimento.
- Non forzare la macchina. Essa lavora meglio e con più sicurezza alla velocità per cui è stata progettata. Il sovraccarico frequente potrebbe danneggiare il motore o causare un incendio.

- Spegner il motore e staccare il cavo di alimentazione:
 - Ogni volta che si lascia la macchina incustodita
 - Prima di eliminare una ostruzione o un qualsiasi difetto
 - Prima di controllare, pulire o eseguire un intervento sulla macchina
 - Prima di fare qualsiasi regolazione, di cambiare gli accessori o di immagazzinarla
 - Se la macchina colpisce un oggetto estraneo. Aspettare finché la macchina si è raffreddata. Ispezionare la macchina e sostituire le parti, se necessario, prima di continuare a farla funzionare
 - Ogni volta che la macchina comincia a vibrare o a fare un rumore insolito
 - Quando si attacca o si rimuove il raccoglitore erba
 - Se qualcuno entra nell'area in cui si sta lavorando
 - Se si passa sopra una superficie diversa dall'erba
 - Quando si trasporta la macchina.
 - Arrestare l'attrezzo di taglio:
 - Se si deve inclinare la macchina
 - Se si passa sopra superfici diverse dall'erba
 - Trasportando la macchina sulle superfici da lavorare e da esse.
 - Fare attenzione agli attrezzi di taglio. Essi non si arrestano immediatamente dopo lo spegnimento della macchina.
- ## **Istruzioni per la manutenzione**
- Far riparare la macchina presso un nostro centro di servizio autorizzato, usando sempre ricambi genuini. La riparazione scorretta e una scarsa manutenzione possono ridurre la vita di servizio della macchina e aumentare il rischio di incidenti.
 - Ispezionare la macchina a intervalli regolari.
 - Procedere come segue prima della riparazione, ispezione, regolazione, immagazzinaggio, o di cambiare un accessorio:
 - Spegner la fonte di alimentazione
 - Staccare la macchina dalla fonte di alimentazione
 - Accertarsi che tutte le parti in movimento si siano arrestate completamente
 - Lasciare raffreddare la macchina.
 - Ispezionare la macchina per possibili danni:
 - Che i dispositivi di sicurezza funzionino correttamente per il loro scopo
 - Che tutte le parti in movimento funzionino scorrevolmente e adeguatamente

- Che tutte le parti non siano danneggiate e che siano installate correttamente
 - Controllare che l'attrezzo di taglio non sia danneggiato, usurato o sbilanciato
 - Controllare regolarmente che il raccogliitore erba non sia danneggiato o usurato
 - Controllare che tutti i dadi, bulloni e viti siano stretti saldamente
 - Se c'è una qualsiasi parte danneggiata o usurata, farla sostituire o riparare da un nostro centro di servizio autorizzato.
- Non si deve eseguire alcun lavoro di manutenzione o riparazione diverso da quelli descritti in questo manuale di istruzioni. Qualsiasi altro lavoro deve essere eseguito da un centro di servizio Makita autorizzato.
 - Usare soltanto i ricambi originali Makita e gli accessori progettati per la macchina. In caso contrario, si potrebbe verificare un incidente o un danno della macchina.
 - Conservare la macchina in una stanza asciutta. Tenerla fuori della portata dei bambini. Mai conservare la macchina all'aperto.

Vibrazione

- Le persone con una circolazione del sangue insufficiente esposte a vibrazioni eccessive potrebbero soffrire un danno ai vasi sanguigni o al sistema nervoso. Le vibrazioni potrebbero causare i sintomi seguenti alle dita, mani o polsi: "L'addormentarsi" (intorpidimento), formicolio, dolore, sensazione di trafittura, alterazione del colore della pelle o della pelle. Se si verifica uno qualsiasi di questi sintomi, rivolgersi a un medico.
- Per ridurre il rischio di "infermità delle dita bianche", mantenere calde le mani durante il lavoro e mantenere bene l'attrezzatura e gli accessori.

⚠ AVVERTIMENTO:

- Questa macchina produce un campo elettromagnetico durante il funzionamento. Si consiglia alle persone con trapianti medici di consultare i loro medici e i produttori dei trapianti prima di usare questa macchina. In caso contrario, il campo elettromagnetico potrebbe avere un effetto negativo sui trapianti medici e causare un grave incidente.

MONTAGGIO

⚠ ATTENZIONE:

- Accertarsi sempre che la macchina sia spenta e staccata dalla presa di corrente prima di un qualsiasi intervento su di essa.

Montaggio della barra manubrio (Fig. 2, 3)

- 1) Fissare la barra manubrio inferiore (4) alla macchina con le manopole (11).
- 2) Mettere la barra manubrio superiore (3) sulla barra manubrio inferiore, e fissarle poi con due distanziatori, dadi e la leva (7).
- 3) Fissare il cavo con le clip (8) sulla barra manubrio.

Montaggio del raccogliitore erba

⚠ ATTENZIONE:

- La macchina non deve essere fatta funzionare senza il raccogliitore erba. In caso contrario, gli oggetti espulsi potrebbero causare incidenti.
- Per le attrezzature di scarico posteriore con rulli posteriori esposti, se vengono usate senza un raccogliitore, bisogna portare una protezione completa degli occhi.

NOTA:

- Le prestazioni della macchina si riducono quando il raccogliitore erba è pieno. Vuotare regolarmente il raccogliitore erba prima che diventi completamente pieno.

Installazione del raccogliitore erba

Tirar su la protezione deflettore (10) e tenerla ferma. Inserire i ganci del raccogliitore erba nelle scanalature della macchina.

Rimozione del raccogliitore erba

Tirar su la protezione deflettore (10) e tenerla ferma. Rimuovere il raccogliitore erba rilasciando i ganci dalle scanalature della macchina.

Rilascio tensione cavo (Fig. 4)

Il rilascio tensione cavo (5) aiuta a evitare che il cavo rimanga impigliato nella lama o disco.

Formare un piccolo anello alla fine del cavo di alimentazione, per evitare di tagliare accidentalmente il cavo. Si consiglia di tenere il cavo su una spalla durante il lavoro.

Tenere sempre presente la posizione del cavo durante il lavoro. Cominciare il lavoro dal punto più vicino alla fonte di alimentazione, per evitare di tagliare accidentalmente il cavo. Si consiglia di tenere il cavo su una spalla durante il lavoro.

Rimozione o installazione dell'attrezzo di taglio

⚠ ATTENZIONE:

- Indossare guanti di protezione.
- Fare particolarmente attenzione maneggiando l'attrezzo di taglio. Esso è molto affilato e potrebbe diventare caldo durante il funzionamento.
- Usare sempre un attrezzo di taglio appropriato al lavoro che si esegue.
- Prima di cominciare un lavoro, accertarsi che i due bulloni che fissano l'attrezzo di taglio alla macchina siano stretti saldamente. Non usare la macchina se il bullone è allentato o manca. Sostituirlo immediatamente se è danneggiato.

Rimozione dell'attrezzo di taglio

- 1) Rimuovere il raccogliitore erba (9).
- 2) Rimuovere il manubrio dalla macchina.
- 3) Capovolgere la macchina su una superficie piana.
- 4) Allentare i due bulloni (14). Rimuoverli con le rondelle elastiche.

- 5) Sollevare la parte del cuscinetto dell'attrezzo di taglio (15), e tirar via l'attrezzo di taglio (13) dall'albero di trasmissione (16).

Installazione dell'attrezzo di taglio

- 1) Inserire l'attrezzo di taglio spingendo la parte del suo dado esagonale nella bussola dell'albero di trasmissione.
- 2) Fissare la parte del cuscinetto alla macchina con i bulloni e le rondelle elastiche.

DESCRIZIONE DELLE FUNZIONI

⚠ AVVERTIMENTO:

- Prima di collegare la macchina alla presa di corrente, accertarsi sempre che sia spenta. Se si collega la macchina alla presa di corrente con l'interruttore attivato, si potrebbe causare il suo avviamento inaspettato con pericolo di un grave incidente.
- Non si deve mai usare la macchina se il cavo di alimentazione è danneggiato. Altrimenti, c'è pericolo di scosse elettriche.
- Non usare la macchina se l'interruttore non la accende e spegne. Gli interruttori difettosi devono essere riparati da un centro di servizio Makita autorizzato.

Leva di avviamento/arresto

Per avviare la macchina, mantenere premuto il bottone di sblocco (2) e tirare poi completamente la leva di avviamento/arresto (1) tenendola. Dopo aver tirato la leva di avviamento/arresto, non è più necessario mantenere premuto il bottone di sblocco.

Per arrestare la macchina, rilasciare semplicemente la leva di avviamento/arresto.

Regolazione dell'angolo manubrio

L'angolo della barra manubrio superiore può essere cambiato.

- 1) Sbloccare i dispositivi di fissaggio manubrio (6).
- 2) Regolare l'angolo della barra manubrio superiore (3).
- 3) Bloccare poi di nuovo i dispositivi di fissaggio manubrio.

Regolazione dell'altezza

Regolare l'altezza dell'attrezzo di taglio secondo le condizioni dell'erba.

Fare riferimento alla tabella sotto per una indicazione approssimativa della regolazione della profondità.

| Altezza | Utilizzo | |
|---------|--|---|
| | Scarificazione | Rastrello (Accessorio opzionale) |
| +5 mm | Per il trasporto e l'immagazzinaggio. Per scarificare i prati delicati. Per staccare strati sottili. Seconda operazione di scarificazione in autunno. | Per il trasporto e l'immagazzinaggio. Per rastrellare i prati normali. |
| 0 mm | Per scarificare i prati normali. Per staccare strati normali. | Per rastrellare i prati spessi accidentati. |
| -5 mm | Per scarificare i prati normali. Per staccare strati spessi. | NON usare per rastrellare. |
| -10 mm | Per scarificare i prati spessi accidentati. Per staccare strati spessi. | NON usare per rastrellare. |

Cambiamento dell'altezza

Spingere la leva di regolazione altezza (12) verso l'esterno, e spostarla sulla posizione desiderata.

Protezione dal sovraccarico

Questa macchina è dotata della protezione dal sovraccarico, che funziona nelle situazioni seguenti:

- L'attrezzo di taglio diventa intasato perché i materiali scarificati si sono accumulati intorno ad esso.
- La macchina cerca di scarificare più di quanto possa trattare il motore.
- Qualcosa ostacola la rotazione dell'attrezzo di taglio.

Quando questa protezione interviene, la macchina si spegne automaticamente.

In tal caso, staccare la macchina dalla presa di corrente, aspettare che si raffreddi e rimuovere la causa del sovraccarico prima di riavviarla.

FUNZIONAMENTO

Consigli per l'utilizzo:

- Tagliare l'erba prima dell'utilizzo e fertilizzare dopo l'operazione.
- Regolare la profondità dell'attrezzo di taglio secondo l'altezza dell'erba e il tempo.
- Evitare l'utilizzo sull'erba bagnata. Essa tende a restare attaccata sulla porta di scarico e altre parti della macchina. Potrebbe anche causare scivolamenti e cadute.
- Non muovere troppo velocemente. Spingere la macchina lentamente. Altrimenti, la porta di scarico potrebbe diventare intasata e si potrebbe sovraccaricare il motore.
- Lavorare lungo una linea quanto più dritta possibile.
- Fare delle linee scarificate leggermente sovrapposte. Mantiene una superficie piana e liscia.

- Se nell'area di lavoro c'è un cespuglio di fiori, descrivere un cerchio o due intorno ad esso.
- Fare particolarmente attenzione quando si gira la macchina.
- Non restare in una posizione. Si potrebbe danneggiare l'erba.

Consigli per scarificare:

- Tenere sempre in considerazione il tempo. Le giornate calde, di sole e bagnate sono buone per scarificare, perché il prato può ristabilirsi in buone condizioni. D'altra parte, evitare le giornate con tempo freddo, molto caldo e asciutto.
- Scarificare il prato in primavera.
- Se l'estate è umida, scarificare il prato all'inizio dell'autunno.
- Evitare di scarificare durante i periodi di tempo estremamente caldo.
- Se l'estate è molto asciutta, non scarificare in autunno.

Consigli per rastrellare:

- Per mantenere una crescita sana in primavera, per l'area intorno alle radici del prato è necessaria una grande quantità di aria.
- Si consiglia di aerare il prato ogni 4 - 6 settimane, secondo le condizioni del prato.

MANUTENZIONE

⚠ ATTENZIONE:

- Accertarsi sempre che la macchina sia spenta e staccata dalla presa di corrente prima di eseguire l'ispezione o la manutenzione.
- Indossare guanti di protezione prima di eseguire l'ispezione o la manutenzione.
- L'attrezzo di taglio non si arresta immediatamente dopo lo spegnimento. Aspettare finché tutte le parti si sono arrestate prima di eseguire qualsiasi lavoro di manutenzione.
- Accertarsi che tutti gli attrezzi siano stati rimossi dopo il lavoro di manutenzione.
- Per la pulizia non si devono mai usare benzina, benzolo, solventi, alcol o simili. Potrebbero causare scolorimento, deformazione o crepe. Per pulire la macchina,

usare soltanto un panno umido e una spazzola morbida.

• Non innaffiare o pulire la macchina con acqua ad alta pressione.

Per il trasporto della macchina, prestare attenzione ai punti seguenti:

- Spegnere il motore, staccare la macchina dalla presa di corrente e aspettare finché l'attrezzo di taglio si arresta.
- Regolare la profondità dell'attrezzo di taglio secondo l'altezza di trasporto.
- Trasportare sempre la macchina per il suo manubrio.
- Evitare colpi pesanti o forti vibrazioni.
- Fissare saldamente la macchina nel caso che venga messa su un veicolo.

Procedere con i passi seguenti dopo ogni operazione:

- Spegnere il motore, staccare la macchina dalla presa di corrente e aspettare finché l'attrezzo di taglio si arresta.

- Pulire il raccogliitore erba. Conservarlo in una stanza asciutta.
- Controllare, pulire e riporre la macchina in una stanza asciutta.

Eseguire regolarmente il lavoro seguente:

- Accertarsi che tutti i dispositivi di fissaggio, come viti, dadi, ecc., siano stretti saldamente.
- Controllare se ci sono difetti, come parti allentate, usurate o danneggiate. Sostituirle se necessario.
- Controllare che i coperchi e le protezioni non siano danneggiati o deformati.
- Se la macchina comincia a vibrare anormalmente durante l'uso, ciò potrebbe essere causato da un attrezzo di taglio sbilanciato o deformato dai colpi di oggetti estranei. In tal caso, fare riparare o sostituire l'attrezzo di taglio da un centro di servizio autorizzato.
- L'attrezzo di taglio si usura nel corso del tempo. Controllare la condizione e la stabilità dell'attrezzo di taglio a intervalli regolari. Sostituirlo se è usurato o smussato.
- Pulire e lubrificare tutte le parti delle viti prima dell'immagazzinaggio.

RISOLUZIONE DEI PROBLEMI

AVVERTIMENTO: Prima di risolvere i problemi, spegnere la macchina, staccare il cavo di alimentazione dalla presa di corrente e aspettare finché la macchina si è fermata completamente.

| Problema | Causa probabile | Rimedio |
|--|--|---|
| La macchina non si avvia. | La fonte di alimentazione non è collegata. | Collegare la fonte di alimentazione. |
| | Difetto del cavo di alimentazione. | Scollegarlo immediatamente. Chiedere a un centro di servizio Makita locale autorizzato di ripararlo. |
| | Difetto del circuito elettrico. | Chiedere a un centro di servizio Makita locale autorizzato di ripararlo. |
| | Il bottone di sblocco non è stato premuto. | Premere il bottone di sblocco e tirare la leva di avviamento/arresto. |
| Ci sono suoni scoppiettanti dalla macchina. | L'attrezzo di taglio è intasato di sostanze estranee. | Spegnere il motore, staccare il cavo di alimentazione dalla presa di corrente e aspettare finché l'attrezzo di taglio non si è fermato completamente. Rimuovere poi le sostanze estranee. |
| La macchina fa uno strano rumore. | Difetto della cinghia di trasmissione. | Chiedere a un centro di servizio Makita locale autorizzato di ripararlo. |
| La macchina non raggiunge la sua velocità massima. | La fonte di alimentazione ha una tensione più bassa del richiesto. | Provare un'altra fonte di alimentazione. Controllare che ci sia una fonte di alimentazione appropriata. |
| | Le aperture di ventilazione sono intasate. | Pulire le aperture di ventilazione. |
| Scarso risultato. | L'erba è troppo alta. | Tagliare l'erba prima di scarificare. |
| | L'attrezzo di taglio è consumato o danneggiato. | Sostituirlo. |
| | La superficie scarificata supera la capacità della macchina. | Scarificare soltanto una superficie corrispondente alla capacità della macchina. |
| | La profondità di scarificazione non è corretta. | Regolare la profondità dell'attrezzo di taglio. |

⚠ ATTENZIONE:

- Questi accessori o componenti sono consigliati per l'uso con questo prodotto Makita specificato in questo manuale. L'utilizzo di altri accessori o componenti può presentare un rischio di incidenti. Gli accessori o componenti devono essere usati soltanto per i loro scopi prefissati.
- Se è necessaria una assistenza per avere maggiori dettagli su questi accessori, rivolgersi al centro di servizio Makita locale.

Ci sono diversi tipi dell'attrezzo di taglio:

- Lama di scarificazione - Il bordo affilato di una lama scarifica il terreno e taglia radici.
- Lama di rastrello (accessorio opzionale) - Per pulire il prato e togliere le foglie con aghi fini.
- 2 lame in 1 (accessorio opzionale) - Per rastrellare e scarificare allo stesso tempo.

AVVISO:

- Alcuni articoli nella lista potrebbero essere inclusi nell'imballaggio del prodotto come accessori standard. Essi potrebbero differire da Paese a Paese.

Modello per l'Europa soltanto

Dichiarazione di conformità CE

Makita dichiara che le macchine seguenti:

Designazione della macchina:

Scarificatore elettrico

Modello n. / Tipo: UV3600

Sono conformi alle seguenti Direttive Europee:

2000/14/CE emendata con 2005/88/CE, 2006/42/CE, 2004/108/CE, 2011/65/UE

Sono fabbricate in conformità con le normative o documenti standardizzati seguenti:

EN60335, EN13684

La documentazione tecnica conforme a 2006/42/CE è reperibile presso:

Makita, Jan-Baptist Vinkstraat 2, 3070, Belgio

La procedura di valutazione della conformità richiesta dalla Direttiva 2000/14/CE è stata effettuata secondo quanto specificato nell'allegato V.

Livello di potenza sonora misurato: 99,53 dB (A)

Livello di potenza sonora garantito: 104 dB (A)

21.11.2014



Yasushi Fukaya
Direttore

Makita, Jan-Baptist Vinkstraat 2, 3070, Belgio

WAARSCHUWING: Dit apparaat mag worden gebruikt door kinderen van 8 jaar en ouder of door personen met beperkte fysieke, zintuiglijke of verstandelijke vermogens of gebrek aan ervaring of kennis van zaken, maar alleen onder toezicht of na instructie in veilig gebruik van het apparaat, met begrip van de eventuele risico's. Kinderen mogen niet met het apparaat spelen. Reinigen en onderhoud van het apparaat mag niet door kinderen worden verricht, tenzij onder toezicht.

AANDUIDING VAN ONDERDELEN (Fig. 1)

- | | | |
|------------------------|-----------------------------------|----------------------|
| 1. Start/stop-hendel | 7. Hendel | 13. Snijgereedschap |
| 2. Ontgrendelingsknop | 8. Klem (x2) | 14. Bout en veerring |
| 3. Bovenste stuurstang | 9. Grasopvangsysteem | 15. Lager |
| 4. Onderste stuurstang | 10. Afweerkap | 16. Aandrijfjas |
| 5. Snoerontlasting | 11. Knop | |
| 6. Handgreepklem | 12. Hendel voor aanpassing hoogte | |

TECHNISCHE GEGEVENS

| | |
|-------------------------------------|---|
| Modelnaam | UV3600 |
| Spanning | 230-240 V |
| Frequentie | 50 Hz |
| Nominaal ingangsvermogen | 1 800 W |
| Nettogewicht | 15,3 kg |
| Onbelaste snelheid | 3 500 min ⁻¹ |
| Maximale snijbreedte | 360 mm |
| Werkhoogtebereik | 4 stappen (-10/-5/0/5 mm) |
| Inhoud grasopvangsysteem | 40 l |
| Beschermingsklasse | IPX4 |
| Geluidsdrukniveau | 81,24 dB (A), K= 2,50 dB (A) |
| Geluidsdrukniveau bij oor gebruiker | 85,5 dB (A), K=2,50 dB (A) |
| Gemeten geluidsstrektekniveau | 99,53 dB (A), K= 4,50 dB (A) |
| Gegarandeerd geluidsstrektekniveau | 104 dB (A) |
| Trillingen | 4,673 m/s ² , K=1,5 m/s ² |

SYMBOLEN

Hieronder worden de symbolen weergegeven die voor de machine worden gebruikt. Zorg dat u weet wat ze betekenen voordat u de machine gaat gebruiken.



- Lees de instructiehandleiding.



- Ga aandachtig en zorgvuldig te werk.



- Dubbele isolatie.



- Draag beschermingshandschoenen.



- Draag stevige laarzen met een antislipzool.



- Draag oog- en oorbescherming.



- Wacht totdat alle onderdelen van de machine helemaal tot stilstand zijn gekomen.



- Let goed op scherpe snijgereedschappen.



- Schakel de motor uit en haal de stekker uit het stopcontact voordat u reiniging of onderhoud verricht of als het netsnoer beschadigd is.



- Objecten kunnen op hoge snelheid worden uitgeworpen.



- Houd omstanders en huisdieren op veilige afstand van het werkterrein.



- Stel de machine niet bloot aan regen of vocht.



- Haal direct de stekker uit het stopcontact als het netsnoer beschadigd of doorsneden is.



- Risico op elektrische schokken.



- Houd het snoer uit de buurt van de snijgereedschappen of wielen.



- Alleen voor EU-landen
Werp geen elektrische apparaten bij het huishoudelijk afval!

Met inachtneming van de Europese Richtlijn betreffende afgedankte elektrische en elektronische apparatuur en de implementatie van deze richtlijn in overeenstemming met nationale wetgeving, moeten elektrische apparaten die het einde van de levensduur bereikt hebben, gescheiden worden ingezameld en worden ingeleverd bij een recyclingbedrijf dat aan de milieuriichtlijnen voldoet.

VEILIGHEIDSWAARSC- HUWINGEN

**LEES DIT ZORGVULDIG DOOR
VÓÓR GEBRUIK
BEWAAR DE
INSTRUCTIEHANDLEIDING
OM DEZE LATER TE KUNNEN
RAADPLEGEN**



Lees eerst deze bedieningshandleiding door voordat u de machine gaat gebruiken. Houd u aan alle gegeven instructies en installeer de machine zoals beschreven.

Bedoeld gebruik van de machine

- Deze machine is bedoeld voor het cultiveren of harken in tuinen.
- De cultivator is uitsluitend bedoeld voor persoonlijk gebruik, niet voor commercieel gebruik. Gebruik hem ook niet op openbare plaatsen.

Voor het openbare laagspanningnet van 220 V t/m 250 V.

Het in- en uitschakelen van elektrische apparatuur veroorzaakt spanningsfluctuaties. Het gebruik van dit gereedschap terwijl het elektriciteitsnet in een slechte toestand verkeert, kan de werking van andere apparatuur nadelig beïnvloeden. Als de netweerstand lager is dan 0,412 ohm, mag u ervan uitgaan dat geen nadelige effecten optreden. Het stopcontact waarop dit gereedschap is aangesloten moet zijn beveiligd met een zekering of veiligheidsstroomonderbreker met trage uitschakeling.

Algemene instructies

- Lees deze instructiehandleiding, zodat u bekend raakt met het gebruik van de machine. Wanneer gebruikers die onvoldoende op de hoogte zijn, omgaan met de machine, wordt de kans op brand of elektrische schokken groter. Ook kunnen ze zichzelf en anderen in gevaar brengen.

- Leen de machine niet uit aan personen van wie u niet weet of ze er ervaring mee hebben.
- Voeg altijd deze instructiehandleiding bij als u de machine uitleent.
- De machine is niet bedoeld voor gebruik door personen met verminderde lichamelijke, zintuiglijke of geestelijke vermogens, of gebrek aan ervaring en kennis. Jonge kinderen moeten onder toezicht gehouden worden om ervoor te zorgen dat ze niet met de machine spelen.
- Gebruik de machine alleen als u in goede lichamelijke conditie verkeert. Voer alle werkzaamheden rustig en zorgvuldig uit. De gebruiker is verantwoordelijk voor de veiligheid van alle personen en voor alle schade rond het gebruiksgebied.
- Gebruik deze machine nooit nadat u alcohol of drugs hebt gebruikt of wanneer u zich moe of ziek voelt.
- Rust even uit om te voorkomen dat u als gevolg van vermoeidheid de controle verliest. We raden u aan elk uur 10 tot 20 minuten rust te nemen.
- Gebruik de machine in overeenstemming met deze instructies, rekening houdend met de werkomstandigheden en de toepassing. Onbedoeld gebruik van de machine zou tot een gevaarlijke situatie kunnen leiden.

- Door landelijke of plaatselijke wetgeving kunnen beperkingen op het gebruik van de machine worden gelegd.
- Blijf alert. Let op wat u doet. Gebruik uw gezond verstand. Gebruik de machine niet als u moe bent.

Persoonlijke beschermingsmiddelen

- Draag de juiste kleding. Draag functionele en geschikte kleding, dus kleding die goed aansluit, maar u niet belemmert. Draag geen sieraden of kleren die in de machine verstrikt kunnen raken. Bedek lang haar met een kapje.
- Draag altijd oorbescherming om gehoorbeschadiging te voorkomen.
- Draag een beschermingsbril om uw ogen te beschermen tegen rondvliegende voorwerpen en afval.
- Draag beschermingshandschoenen om vingerletsel te voorkomen.
- Draag een stofmasker om de kans op letsel te verkleinen.
- Draag bij het gebruik van de machine altijd stevige schoenen met een antislipzool. Zo beschermt u uzelf tegen letsel en zorgt u ervoor dat u stevig staat.
- Draag bij het gebruik van de machine altijd stevig schoeisel en een lange broek. Bedien de machine niet met blote voeten of als u open sandalen draagt.

Veilige werkomgeving

- Houd kinderen en omstanders, en ook dieren, uit de buurt terwijl u de machine gebruikt.
- Controleer of er geen stenen, bedrading, glas of ander tuinafval op het werkterrein aanwezig is. Tuinafval kan in de machine vast komen te zitten of uit de machine worden geworpen, wat tot schade of letsel kan leiden.
- Gebruik de machine bij goed zicht en alleen bij daglicht. Gebruik de machine niet als het donker of mistig is.
- Gebruik de machine niet in explosieve atmosferen, zoals in de aanwezigheid van ontvlambare vloeistoffen, gassen of stof. De machine wekt vonken op die het stof of de dampen kunnen aansteken.
- Stel de machine niet bloot aan regen of vochtige omstandigheden. Als er water in de machine komt, kan de kans op elektrische schokken toenemen.

De machine opstarten

- Voordat u de stekker aansluit of de machine inschakelt:
 - Controleer of de stekker en het snoer in goede staat verkeren.
 - Controleer of alle schroeven, moeren en andere bevestigingsmiddelen stevig vastzitten.
 - Controleer of de snijgereedschappen

aanwezig zijn en in goede staat verkeren.

- Controleer of afschermingen en veiligheidsvoorzieningen, zoals afweerkappen of het grasopvangsysteem, goed functioneren.
- Controleer of de ventilatieopeningen niet zijn bedekt door stof of ander vuil. Reinig ze met een zachte borstel of een doek als ze geblokkeerd zijn.
- Vervang beschadigde of onleesbare etiketten.
- Controleer alle onderdelen van de machine zorgvuldig om vast te stellen of de machine goed functioneert en de bedoelde functie uitvoert. Gebruik de machine vooral nooit als de schakelaar niet goed werkt.
- Controleer of de schakelaar in de uit-richting staat om te voorkomen dat de machine per ongeluk wordt gestart.
- Controleer of alle gereedschappen voor onderhoud, zoals stelsleutels of steeksleutels, verwijderd zijn.
- Neem als het netsnoer beschadigd is, contact op met een erkend Makita onderhoudscentrum. Laat het snoer altijd door oorspronkelijke reserveonderdelen vervangen.
- Gebruik de machine nooit als een veiligheidsvoorziening, zoals de afweerkap of

het grasopvangsysteem, beschadigd is of ontbreekt.

- Wanneer u de motor inschakelt:
 - Houd uw voeten uit de buurt van de snijgereedschappen.
 - Kantel de machine niet.
 - Ganietvoorde uitlaatopening staan.
 - Houd uw handen of andere lichaamsdelen of kleding nooit in de buurt van bewegende onderdelen.

Elektrische veiligheid

- Controleer vóór gebruik of de stekker van de machine in het stopcontact past.
- Breng nooit wijzigingen aan de stekker aan.
- Ga voorzichtig om met het snoer. Draag of trek de machine nooit aan het snoer en trek ook niet aan het snoer om de stekker uit het stopcontact te halen. Houd het snoer uit de buurt van hitte, olie, scherpe randen of bewegende onderdelen. Door beschadigde of in de knoop geraakte snoeren neemt de kans op elektrische schokken toe.
- Controleer de verlengkabel regelmatig op schade aan de isolatie. Vervang deze bij beschadiging.
- Haal direct de stekker uit het stopcontact als de aansluitkabel beschadigd is. Door een beschadigde kabel kunt u in aanraking komen met onderdelen onder spanning en een elektrische schok krijgen.

- Gebruik nooit een beschadigd snoer.
- Houd het snoer en de verlengkabel uit de buurt van de snijgereedschappen en wielen. Snijgereedschappen kunnen de kabelbeschadigen en elektrische schokken veroorzaken.
- Gebruik wanneer u de machine buitenshuis gebruikt, altijd een aardlekschakelaar met een werkstroom van 30 mA of minder.
- Gebruik alleen een verlengkabel voor gebruik buitenshuis, met een spatbestendige aansluiting. De doorsnede van deze kabel moet ten minste 1,5 mm² bedragen voor kabellengtes tot 25 m en 2,5 mm² voor kabellengtes langer dan 25 m.
- Sluit de machine alleen op een stroomvoorziening aan met dezelfde spanning als op het typeplaatje wordt aangeduid en alleen op netspanning met één fase. Deze aansluitingen zijn dubbel geïsoleerd in overeenstemming met de Europese norm en kunnen dus ook worden gebruikt in stopcontacten die niet geaard zijn.
- Vermijd lichaamscontact met geaarde oppervlakken (bijvoorbeeld leidingen, radiatoren, fornuizen, koelkasten) tijdens gebruik.

Gebruik

- Gebruik het apparaat niet op nat gras. Let bij het werken op nat gras goed op dat u niet uitglijdt.
- Houd de handgreep met beide handen stevig vast tijdens gebruik. Houd de handgreep droog en schoon om ongelukken te voorkomen.
- Ren niet met de machine. Loop alleen rustig als de machine in gebruik is.
- Let vooral goed op waar u uw voeten neerzet wanneer u op een helling werkt.
- Werk niet recht omhoog of recht omlaag op een helling. Werk altijd langs een horizontale lijn.
- Let vooral goed op als u de machine op een helling draait.
- Werk nooit op een steile helling.
- Let vooral goed op wanneer u zich omkeert of de machine naar u toe trekt.
- Reik niet boven uw macht. Zorg dat u altijd stevig en evenwichtig staat. Zo kunt u de machine beter onder controle houden in onverwachte situaties.
- Onthoud altijd:
 - Houd uw voeten uit de buurt van de snijgereedschappen.
 - Kantel de machine niet.
 - Ganietvoor de uitlaatopening staan.
 - Houd uw handen of andere lichaamsdelen of kleding nooit in de buurt van bewegende onderdelen.
- Forceer de machine niet. De machine werkt beter en veiliger

op het tempo waarvoor deze is ontworpen. Regelmatige overbelasting kan schade aan de motor of brand veroorzaken.

• Schakel de motor uit en haal de stekker uit het stopcontact:

– Wanneer u de machine onbeheerd achterlaat

– Voordat u een blokkade verwijdert of een storing verhelpt

– Voordat u de machine controleert, reinigt of onderhoudt

– Voordat u afstellingen verricht, accessoires verwisselt of de machine opbergt

– Wanneer de machine een voorwerp raakt. Wacht tot de machine is afgekoeld. Inspecteer de machine en vervang indien nodig de onderdelen voordat u verder gaat met het gebruik

– Wanneer de machine begint te trillen of ongebruikelijke geluiden maakt

– Wanneer u het grasopvangsysteem bevestigt of verwijdert

– Wanneer iemand uw werkterrein betreedt

– Wanneer u andere oppervlakken dan gras oversteekt

– Bij vervoer van de machine.

• Stop het snijgereedschap:

– Als u de machine moet kantelen

– Wanneer u andere oppervlakken dan gras oversteekt

– De machine van en naar werkoppervlakken vervoeren.

• Let goed op de snijgereedschappen: ze stoppen niet direct nadat de machine is uitgeschakeld.

Onderhoudsinstructies

• Laat onderhoud aan de machine uitvoeren door een erkend Makita onderhoudscentrum. Gebruik altijd alleen originele reserveonderdelen. Onjuiste reparaties en slecht onderhoud kunnen de levensduur van de machine verkorten en de kans op ongelukken vergroten.

• Inspecteer de machine regelmatig.

• Neem de volgende stappen voordat u onderhoud, inspecties of afstellingen verricht, de machine opbergt of een accessoire verwisselt:

– Schakel de stroom uit

– Haal de stekker van de machine uit het stopcontact

– Controleer of alle bewegende onderdelen volledig tot stilstand zijn gekomen

– Laat de machine afkoelen.

• Inspecteer de machine op mogelijke schade:

– Of veiligheidsvoorzieningen naar behoren werken voor het doel waarvoor ze zijn bestemd

- Of alle bewegende onderdelen soepel en naar behoren werken
- Of er geen onderdelen beschadigd zijn en alle onderdelen correct zijn geïnstalleerd
- Controleer het snijgereedschap op schade, slijtage of onbalans
- Controleer het grasopvangsysteem regelmatig op schade of slijtage
- Controleer of alle moeren, bouten en schroeven stevig vastzitten
- Laat eventuele beschadigde of versleten onderdelen vervangen of repareren door een erkend Makita onderhoudscentrum.
- Voer geen andere onderhouds- of reparatiewerkzaamheden uit dan beschreven in deze instructiehandleiding. Andere werkzaamheden moeten worden uitgevoerd door een erkend Makita onderhoudscentrum.
- Gebruik alleen oorspronkelijke Makita reserveonderdelen en accessoires die voor uw machine bedoeld zijn. Anders kan dit leiden tot persoonlijk letsel of schade aan de machine.
- Berg de machine op in een droge ruimte. Houd hem buiten bereik van kinderen. Berg de machine nooit buiten op.

Trillingen

- Mensen die problemen hebben met hun bloedsomloop en aan ernstige trillingen worden blootgesteld, kunnen schade aan bloedvaten of het zenuwstelsel oplopen. Trillingen kunnen de volgende symptomen veroorzaken in de vingers, handen of polsen: "Slapen" (gevoelloosheid), tintelen, pijn, steken, veranderingen in de huidskleur of de huid. Raadpleeg een arts als u een of meer van deze symptomen ervaart.
- Om de kans op het "fenomeen van Raynaud" te verminderen, dient u uw handen warm te houden tijdens gebruik en de apparatuur en accessoires goed te onderhouden.

⚠ WAARSCHUWING:

- Deze machine genereert tijdens gebruik een elektromagnetisch veld. Het verdient aanbeveling dat personen met medische implantaten eerst hun arts en de fabrikant van het implantaat raadplegen voordat ze deze machine gaan gebruiken. Anders kan het elektromagnetisch veld invloed uitoefenen op de medische implantaten, wat tot ernstig letsel kan leiden.

INEENZETTEN

⚠ LET OP:

- Controleer altijd of de machine uitgeschakeld is en de stekker uit het stopcontact verwijderd is voordat u er werkzaamheden aan uitvoert.

De stuurstang assembleren (Fig. 2, 3)

- 1) Zet de onderste stuurstang (4) met de knoppen (11) aan de machine vast.
- 2) Plaats de bovenste stuurstang (3) op de onderste stuurstang en zet ze vervolgens aan elkaar vast met twee afstandsbussen, een moer en de hendel (7).
- 3) Zet het snoer met de klemmen (8) op de stuurstang vast.

Het grasopvangsysteem assembleren

⚠ LET OP:

- Gebruik de machine niet zonder grasopvangsysteem. Anders kunnen uitgeworpen objecten letsel veroorzaken.

- Voor apparaten met de uitworp aan de achterzijde waarbij de achterste rollen zichtbaar zijn en die zonder opvangsysteem worden gebruikt, dient u volledige oogbescherming te dragen.

OPMERKING:

- De prestaties van de machine lopen terug wanneer het grasopvangsysteem vol is. Maak het grasopvangsysteem regelmatig leeg voordat het helemaal vol raakt.

Het grasopvangsysteem installeren

Trek de afweerkap (10) omhoog en houd deze vast. Steek de haken op het grasopvangsysteem in de groeven op de machine.

Het grasopvangsysteem verwijderen

Trek de afweerkap (10) omhoog en houd deze vast. Verwijder het grasopvangsysteem door de haken uit de groeven op de machine te halen.

Snoerontlasting (Fig. 4)

De snoerontlasting (5) voorkomt dat het snoer in het mes of wiel terecht komt.

Maak een lusje aan het uiteinde van het netsnoer, leid het door de opening van de snoerontlasting en hang het vervolgens aan het haakje.

Houd bij gebruik van de machine altijd rekening met de positie van het snoer. Begin uw werkzaamheden zo dicht mogelijk bij de stroomvoorziening om te voorkomen dat u per ongeluk door het snoer snijdt. Het verdient aanbeveling het snoer tijdens gebruik over uw schouder te hangen.

Het snijgereedschap verwijderen of installeren

⚠ LET OP:

- Draag beschermingshandschoenen.
- Let goed op bij het hanteren van het snijgereedschap. Het is erg scherp en kan tijdens gebruik heet worden.
- Gebruik altijd het juiste snijgereedschap voor de juiste activiteit.
- Controleer vóór gebruik of de twee bouten, waarmee het snijgereedschap aan de machine vastzit, stevig aangedraaid zijn. Gebruik de machine niet als de bout loszit of ontbreekt. Vervang hem direct als hij beschadigd is.

Snijgereedschap verwijderen

- 1) Verwijder het grasopvangsysteem (9).
- 2) Verwijder de handgreep van de machine.
- 3) Leg de machine ondersteboven op een vlak oppervlak.
- 4) Maak de twee bouten (14) los. Verwijder de bouten en de veerringen.
- 5) Til de lager van het snijgereedschap (15) en trek het snijgereedschap (13) vervolgens van de aandrijfas (16) af.

Het snijgereedschap installeren

- 1) Plaats het snijgereedschap door de zeskantmoer in de aansluiting van de aandrijfas te schuiven.
- 2) Zet de lager met de bouten en veerringen aan de machine vast.

BESCHRIJVING VAN DE FUNCTIES

⚠ WAARSCHUWING:

- Controleer voordat u de machine op het stopcontact aansluit altijd of de machine uitgeschakeld is. Als u de machine op het stopcontact aansluit en de schakelaar aan staat, kan deze onverwacht starten, wat tot ernstig persoonlijk letsel kan leiden.
- Gebruik de machine nooit als het netsnoer beschadigd is. Anders kan dit elektrische schokken veroorzaken.
- Gebruik de machine niet als u deze niet met de schakelaar aan en uit kunt zetten. Laat defecte schakelaars door een erkend Makita onderhoudscentrum vervangen.

Start/stop-hendel

Druk op de ontgrendelingsknop (2) en houd deze ingedrukt. Trek vervolgens de start/stop-hendel (1) helemaal naar u toe en houd deze vast om de machine te starten. Wanneer u eenmaal aan de start/stop-hendel trekt, hoeft u de ontgrendelingsknop niet meer ingedrukt te houden.

U stopt de machine door de start/stop-hendel gewoon weer los te laten.

Aanpassing van de hoek van de handgreep

U kunt de hoek van de bovenste stuurstang wijzigen.

- 1) Ontgrendel de klemmen van de handgreep (6).
- 2) Pas de hoek van de bovenste stuurstang (3) aan.
- 3) Vergrendel de klemmen van de handgreep weer.

Hoogte-instelling

Afhankelijk van de hoogte van het gras kunt u de hoogte van het snijgereedschap instellen.

Zie de onderstaande tabel als ruwe indicatie voor diepte-instellingen.

| Hoogte | Gebruik | |
|--------|--|--|
| | Cultiveren | Harken (optioneel accessoire) |
| +5 mm | Voor vervoer en opslag. Cultiveren van kwetsbaar gazon. Dunne lagen verticuteren. De tweede cultivatorbewerking in de herfst. | Voor vervoer en opslag. Harken van normaal gazon. |
| 0 mm | Cultiveren van normaal gazon. Normale lagen verticuteren. | Harken van dik gazon. |
| -5 mm | Cultiveren van normaal gazon. Dikke lagen verticuteren. | NIET gebruiken om te harken. |
| -10 mm | Harken van ruw dik gazon. Dikke lagen verticuteren. | NIET gebruiken om te harken. |

De hoogte wijzigen

Duw de hendel voor aanpassing van de hoogte (12) naar buiten en verplaats deze naar de gewenste positie.

Overbelastingsbeveiliging

Deze machine is voorzien van een overbelastingsbeveiliging, die onder de volgende situaties ingeschakeld wordt:

- Het snijgereedschap raakt geblokkeerd omdat zich gecultiveerd tuinafval opgehoopt heeft rond het gereedschap.
- De machine probeert meer te cultiveren dan de motor aankan.
- Iets belemmert het draaien van het snijgereedschap.

Wanneer deze bescherming werkt, wordt de machine automatisch uitgeschakeld.

In dit geval haalt u de stekker van de machine uit het stopcontact, wacht u tot de machine afgekoeld is en verwijderd u de oorzaak van de overbelasting voordat u de machine weer start.

BEDIENING

Gebruikstips:

- Maai uw gazon voordat u gaat cultiveren en bemest het na het cultiveren.
- Stel de diepte van het snijgereedschap afhankelijk van de hoogte van het gras en het weer in.

- Gebruik de machine niet op nat gras. Het kan aan de uitlaatopening en andere onderdelen van de machine blijven plakken. Ook kunt u hierdoor uitglijden en vallen.
- Loop niet te snel. Duw de machine langzaam vooruit. Anders kan de uitlaatopening geblokkeerd en de motor overbelast raken.
- Gebruik de machine in een zo recht mogelijke lijn.
- Maak een stukje overlappende gecultiveerde lijnen. Dit zorgt voor een gelijkmatig en vlak oppervlak.
- Wanneer er een bloemperk in het te cultiveren gebied ligt, maakt u een of twee cirkels rond het bloemperk.
- Let vooral goed op als u de machine draait.
- Blijf niet op één plaats. Dan beschadigt u het gras.

Tips voor het cultiveren:

- Houd altijd rekening met het weer. Warm, zonnig en vochtig weer is goed om te cultiveren, omdat het gazon dan goed kan herstellen. Vermijd echter kou, hitte, droogte.
- Cultiveer het gazon in de lente.
- Cultiveer na een natte zomer het gazon aan het begin van de herfst.
- Cultiveer niet in een periode van extreem heet weer.
- Cultiveer na een heel droge zomer het gazon niet in de herfst.

Tips voor het harken:

- Er is veel lucht nodig voor het gebied rond de wortels van het gazon om in de lente goed te kunnen groeien.
- Het verdient aanbeveling het gazon elke 4 – 6 weken te beluchten, afhankelijk van de staat van het gazon.

ONDERHOUD

⚠ LET OP:

- Controleer altijd of de machine uitgeschakeld is en de stekker uit het stopcontact verwijderd is voordat u inspecties of onderhoud verricht.
- Draag beschermingshandschoenen voordat u inspecties of onderhoud verricht.
- Het mes stopt niet direct nadat de machine is uitgeschakeld. Wacht totdat alle onderdelen tot stilstand zijn gekomen voordat u onderhoudswerkzaamheden verricht.
- Ruim alle gereedschappen op nadat u onderhoudswerkzaamheden hebt verricht.

- Gebruik nooit benzine, benzeen, thinner, alcohol of iets dergelijks om de machine te reinigen. Deze stoffen kunnen leiden tot verkleuring, vervorming of barsten. Reinig de machine uitsluitend met een vochtige doek en een zachte borstel.
- Reinig de machine niet met een tuinslang of hogedrukreiniger.

Let bij het vervoeren van de machine op de volgende punten:

- Schakel de motor uit, haal de stekker uit het stopcontact en wacht tot het snijgereedschap stopt.
- Pas de diepte van het snijgereedschap aan de transporthoogte aan.
- Vervoer de machine altijd aan de handgreep.
- Voorkom zware klappen of heftige trillingen.
- Zet de machine stevig vast als u deze op een voertuig vervoert.

Voer na elk gebruik de volgende stappen uit:

- Schakel de motor uit, haal de stekker uit het stopcontact en wacht tot het snijgereedschap stopt.
- Reinig het grasopvangsysteem. Berg de machine op in een droge ruimte.
- Controleer, reinig en bewaar de machine in een droge ruimte.

Voer de volgende werkzaamheden regelmatig uit:

- Controleer of alle klemmen, zoals schroeven, moeren enzovoort stevig vastzitten.
- Controleer op defecten zoals losse, versleten of beschadigde onderdelen. Vervang deze indien nodig.
- Controleer of de kappen en afschermingen niet beschadigd of vervormd zijn.
- Als de machine opvallend veel begint te trillen tijdens gebruik, kan dat veroorzaakt worden door een snijgereedschap dat uit balans of vervormd is als gevolg van botsingen tegen voorwerpen. Laat het snijgereedschap in dat geval repareren of vervangen door een erkend onderhoudscentrum.
- Het snijgereedschap raakt na verloop van tijd versleten. Controleer regelmatig de staat en stabiliteit van het snijgereedschap. Vervang het als het versleten of bot geworden is.
- Reinig en smeer alle schroefonderdelen voordat u de machine opbergt.

PROBLEMEN OPLOSSEN

WAARSCHUWING: schakel de machine uit, haal de stekker uit het stopcontact en wacht totdat de machine volledig tot stilstand is gekomen voordat u problemen gaat oplossen.

| Probleem | Mogelijke oorzaak | Oplossing |
|--|--|---|
| De machine start niet. | Het netsnoer is niet aangesloten. | Sluit het netsnoer aan. |
| | Defect in netsnoer. | Haal direct uit het stopcontact. Vraag het erkende Makita onderhoudscentrum om de machine te repareren. |
| | Defect in stroomcircuit. | Vraag het erkende Makita onderhoudscentrum om de machine te repareren. |
| | Ontgrendelingsknop is niet ingedrukt. | Druk op de ontgrendelingsknop en trek aan de start/stop-hendel. |
| Er komen krakende geluiden uit de machine. | Er zit tuinafval vast in het snijgereedschap. | Schakel de motor uit, haal de stekker uit het stopcontact en wacht tot het snijgereedschap stopt. Verwijder vervolgens het tuinafval. |
| Er komen vreemde geluiden uit de machine. | Defect in aandrijfriem. | Vraag het erkende Makita onderhoudscentrum om de machine te repareren. |
| De machine bereikt het maximale vermogen niet. | Het netsnoer is op een te lage spanning aangesloten. | Probeer een ander stopcontact. Controleer of de juiste netspanningsbron wordt gebruikt. |
| | Ventilatieopeningen zijn verstopt. | Reinig de ventilatieopeningen. |
| Slecht resultaat. | Het gras is te hoog. | Maai het gras voordat u gaat cultiveren. |
| | Snijgereedschap is versleten of beschadigd. | Vervang het. |
| | Te cultiveren oppervlak overtreft het vermogen van de machine. | Cultiveer alleen een oppervlak dat geschikt is voor het vermogen van de machine. |
| | Cultiveerdiepte is onjuist. | Pas de diepte van het snijgereedschap aan. |

OPTIONEEL ACCESSOIRE

⚠ LET OP:

- Deze accessoires of hulpstukken worden aanbevolen voor gebruik met uw Makita gereedschap dat in deze handleiding gespecificeerd wordt. Het gebruik van andere accessoires of hulpstukken kan een risico op letsel aan personen vertegenwoordigen. Gebruik de accessoires of hulpstukken alleen voor het doel waarvoor ze zijn bestemd.
- Als u hulp nodig hebt of meer informatie over deze accessoires, neemt u contact op met uw plaatselijke Makita onderhoudscentrum.

Er zijn verschillende soorten snijgereedschappen:

- Cultivatormes - de scherpe rand van een mes cultiveert de grond en snijdt door de wortels.
- Harkmes (optioneel accessoire) - verwijdert gras en bladeren met fijne tandjes van het gazon.
- 2-in-1-mes (optioneel accessoire) - harken en cultiveren tegelijk.

KENNISGEVING:

- Sommige onderdelen in de lijst worden mogelijk in het gereedschapspakket als standaardaccessoires bijgeleverd. Deze kunnen van land tot land verschillen.

Alleen voor Europese landen

EG-Verklaring van Conformiteit

Makita verklaart dat de volgende machine(s):

Aanduiding machine:

Elektrische cultivator

Modelnr./type: UV3600

voldoet/voldoen aan de volgende Europese

richtlijnen:

2000/14/EG, gewijzigd door 2005/88/EG, 2006/42/
EG, 2004/108/EG, 2011/65/EU

Deze zijn gefabriceerd in overeenstemming met de
volgende normen of genormaliseerde documenten:

EN60335, EN13684

Het technische bestand volgens 2006/42/EG is
verkrijgbaar bij:

Makita, Jan-Baptist Vinkstraat 2, 3070, België

De conformiteitsevaluatieprocedure die vereist is volgens
Richtlijn 2000/14/EG, was in overeenstemming met
bijlage V.

Gemeten geluidssterkeniveau: 99,53 dB (A)

Gegarandeerd geluidssterkeniveau: 104 dB (A)

21.11.2014



Yasushi Fukaya

Directeur

Makita, Jan-Baptist Vinkstraat 2, 3070, België

ADVERTENCIA: Este aparato puede ser utilizado por niños de 8 o más años de edad y personas con capacidades físicas, sensoriales o mentales mermadas, o sin experiencia y conocimiento, si han recibido supervisión o instrucción para el uso del aparato de forma segura y son conscientes del peligro que implica. Los niños no deben jugar con el aparato. La limpieza y mantenimiento que debe hacer el usuario no deben ser realizados por niños sin supervisión.

DESIGNACIÓN DE PARTES (Fig. 1)

- | | | |
|--|---------------------------------|---------------------------------|
| 1. Palanca de puesta en marcha/parada | 6. Fijador del manillar | 13. Cuchilla |
| 2. Botón de desbloqueo | 7. Palanca | 14. Perno y arandela de resorte |
| 3. Barra superior del manillar | 8. Abrazadera (x2) | 15. Rodamiento |
| 4. Barra inferior del manillar | 9. Receptor de hierba | 16. Eje de transmisión |
| 5. Aligeramiento de la tensión del cable | 10. Protector deflector | |
| | 11. Pomo | |
| | 12. Palanca de ajuste de altura | |

DATOS TÉCNICOS

| | |
|--|--|
| Nombre de modelo | UV3600 |
| Tensión | 230-240 V |
| Frecuencia | 50 Hz |
| Potencia de entrada nominal | 1.800 W |
| Peso neto | 15,3 kg |
| Velocidad en vacío | 3.500 min ⁻¹ |
| Anchura de corte máxima | 360 mm |
| Gama de altura de trabajo | 4 pasos (-10/-5/0/5 mm) |
| Volumen del receptor de hierba | 40 L |
| Clase de protección | IPX4 |
| Nivel de presión de sonido | 81,24 dB (A), K= 2,50 dB (A) |
| Nivel de presión de sonido en los oídos del operario | 85,5 dB (A), K= 2,50 dB (A) |
| Nivel de potencia de sonido medido | 99,53 dB (A), K= 4,50 dB (A) |
| Nivel de potencia de sonido garantizado | 104 dB (A) |
| Vibración | 4,673 m/s ² , K= 1,5 m/s ² |

SÍMBOLOS

A continuación se muestran los símbolos utilizados para la máquina. Asegúrese de que entiende sus significados antes de utilizar la máquina.



• Lea el manual de instrucciones.



• Preste especial cuidado y atención.



• Doble aislamiento.



- Póngase guantes protectores.



- Póngase botas robustas con suelas antideslizantes.



- Póngase protección para ojos y oídos.



- Espere hasta que todas las partes de la máquina se detengan completamente.



- Preste atención a las cuchillas afiladas.



- Apague el motor y desenchufe la máquina antes de la limpieza y mantenimiento, o si el cable de alimentación se daña.



- Objetos podrán salir lanzados a gran velocidad.



- Mantenga una distancia segura entre los transeúntes o animales domésticos y el área de trabajo.



- No exponga la máquina a la lluvia ni a la humedad.



- Retire la clavija de la fuente de alimentación inmediatamente si el cable de alimentación se daña o corta.



- Riesgo de descarga eléctrica.



- Mantenga el cable alejado de las cuchillas o ruedas.



- Solamente para países de la UE

¡No deseche equipo eléctrico junto con la basura del hogar!

En conformidad con la Directiva Europea, sobre residuos de aparatos eléctricos y electrónicos y su aplicación de acuerdo con la legislación nacional, los aparatos eléctricos cuya vida útil haya llegado a su fin deberán ser recogidos por separado y trasladados a una planta de reciclaje que cumpla con las exigencias ecológicas.

ADVERTENCIAS DE SEGURIDAD

LEA ESTO ATENTAMENTE ANTES DE UTILIZAR LA MÁQUINA

GUARDE EL MANUAL DE INSTRUCCIONES PARA FUTURAS REFERENCIAS



No comience a utilizar la máquina hasta que haya leído estas instrucciones de funcionamiento. Observe todas las instrucciones ofrecidas, e instale la máquina como se describe.

Uso previsto para la máquina

- Esta máquina ha sido prevista para escarificar o rastrillar en jardines.
- El escarificador ha sido previsto para uso privado solamente, y no para uso comercial. Tampoco lo utilice en lugares públicos.

En sistemas públicos de distribución de baja tensión, entre 220 V y 250 V.

Cambiar de operaciones en los aparatos eléctricos puede provocar fluctuaciones de tensión. El funcionamiento de esta herramienta en condiciones desfavorables de alimentación eléctrica puede afectar negativamente al funcionamiento de otros equipos. Con una impedancia eléctrica igual o inferior a 0,412 ohmios, se puede prever que no habrá ningún efecto negativo. La toma de corriente que se utilice para esta herramienta debe estar protegida con un fusible o disyuntor de protección con características de disyunción lenta.

Instrucciones generales

- Lea este manual de instrucciones para familiarizarse con el manejo de la máquina. El manejo de la máquina por usuarios insuficientemente informados aumentará el riesgo de que se produzca un incendio, una descarga eléctrica, o heridas

personales tanto a sí mismos como a otros.

- No preste la máquina a gente que no haya demostrado tener experiencia.
- Cuando preste la máquina, adjunte siempre este manual de instrucciones.
- La máquina no ha sido prevista para ser utilizada por personas con capacidades físicas, sensoriales o mentales reducidas, o con falta de experiencia y conocimiento. Los niños pequeños deberán ser supervisados para asegurarse de que no juegan con la máquina.
- Utilice la máquina solamente si está en buenas condiciones físicas. Realice todo el trabajo con calma y cuidado. El usuario será responsable de la completa seguridad de las personas y daños alrededor del área de utilización.
- No utilice nunca esta máquina después de haber consumido alcohol o drogas, ni si se siente cansado o enfermo.
- Descanse a ratos para evitar perder el control a causa de la fatiga. Se recomienda descansar de 10 a 20 minutos cada hora.
- Utilice la máquina de acuerdo con estas instrucciones, considerando las condiciones de trabajo y la aplicación. Un uso no intencionado de la máquina podrá resultar en una situación de peligro.

- Los reglamentos nacionales o locales podrán restringir el manejo de la máquina.
- Esté alerta. Observe lo que está haciendo. Utilice el sentido común. No utilice la máquina cuando esté cansado.

Equipo de protección personal

- Vístase apropiadamente. Las ropas que se ponga deberán ser funcionales y apropiadas, es decir, deberán ser ceñidas pero sin causarle estorbos. No se ponga joyas ni ropas que puedan enredarse en la máquina. Póngase protección para el pelo que le cubra y recoja el pelo largo.
- Póngase siempre protección para oídos para evitar pérdida auditiva.
- Póngase gafas protectoras o antiparras para proteger los ojos de los objetos y restos que salen volando.
- Póngase guantes protectores para evitar herirse los dedos.
- Póngase mascarilla contra el polvo para reducir el riesgo de sufrir heridas.
- Cuando utilice la máquina, póngase siempre calzado robusto con suela antideslizante. Ello le protegerá contra heridas y le asegurará una buena estabilidad.
- Mientras esté utilizando la máquina, póngase siempre calzado resistente y pantalones

largos. No utilice la máquina estando descalzo ni calzando sandalias abiertas.

Seguridad en el área de trabajo

- Mantenga a los niños y transeúntes, incluidos animales, alejados mientras utiliza la máquina.
- Inspeccione el área de trabajo para ver si hay piedras, alambres, cristales, u otros objetos extraños. La máquina puede coger objetos extraños o arrojarlos, resultando en daños o heridas.
- Utilice la máquina en condiciones de buena visibilidad y a la luz del día solamente. No utilice la máquina en la oscuridad ni en la niebla.
- No utilice la máquina en atmósferas explosivas, tales como en presencia de líquidos, gases o polvo inflamables. La máquina crea chispas que pueden inflamar el polvo o los humos.
- No exponga la máquina a la lluvia ni a condiciones húmedas. Si entra agua en la máquina podrá aumentar el riesgo de una descarga eléctrica.

Puesta en marcha de la máquina

- Antes de conectar el enchufe o encender la máquina:
 - Compruebe la clavija y el cable y confirme que están en buenas condiciones.

- Compruebe que todos los tornillos, tuercas y otras fijaciones están debidamente sujetos.
- Compruebe que las cuchillas están en su sitio y en buenas condiciones de uso.
- Compruebe que los protectores y dispositivos de seguridad, tales como los deflectores o el receptor de hierba, funcionan bien.
- Compruebe que las aberturas de ventilación no están tapadas con polvo u otros materiales extraños. Límpielas con un cepillo o paño suave si están bloqueadas.
- Reemplace las etiquetas dañadas o ilegibles.
- Compruebe todas las partes de la máquina con cuidado para determinar si funcionan debidamente y realizan su función prevista. Especialmente, no utilice nunca la máquina si el interruptor no funciona normalmente.
- Asegúrese de que el interruptor está en el lado apagado para evitar un arranque no intencionado.
- Compruebe que todas las herramientas usadas para el mantenimiento, tales como las llaves de ajuste o las llaves de tuercas han sido retiradas.
- Si el cable de alimentación está dañado, pida al centro de servicio autorizado de Makita que se lo reemplace, y utilice siempre piezas de repuesto genuinas.
- No utilice nunca la máquina si el dispositivo de seguridad, tal como el protector deflector o el receptor de hierba, está dañado o se ha perdido.
- Cuando vaya a poner en marcha el motor:
 - Mantenga los pies alejados de las cuchillas.
 - No incline la máquina.
 - No se ponga delante de la abertura de descarga.
 - No deje nunca que sus manos u otras partes del cuerpo o ropas estén cerca de las partes en movimientos.

Seguridad eléctrica

- Compruebe que la clavija de conexión de la máquina encaja en la toma de corriente antes de utilizar la máquina.
- No modifique nunca la clavija de conexión.
- No abuse del cable. No utilice nunca el cable para transportar, tirar de o desenchufar la máquina. Mantenga el cable alejado del calor, aceite, bordes cortantes o partes en movimiento. Los cables dañados o enredados aumentan el riesgo de una descarga eléctrica.
- Compruebe el cable de extensión regularmente para

ver si el aislante está dañado. Reemplácelo si está dañado.

- Si el cable de conexión está dañado, retire el enchufe de alimentación inmediatamente. Un cable dañado puede ocasionar un contacto con partes con corriente y una descarga eléctrica.
- No utilice nunca un cable dañado.
- Mantenga el cable y el cable de extensión alejados de las cuchillas y las ruedas. Las cuchillas pueden dañar el cable y ocasionar una descarga eléctrica.
- Cuando utilice la máquina en exteriores, utilice siempre un disyuntor por corriente diferencial (RCD) con una corriente de régimen de 30 mA o menos.
- Utilice solamente un cable de extensión para uso en exteriores con conector a prueba de salpicaduras. Su sección transversal deberá ser de al menos 1,5 mm² para longitudes de cable de hasta 25 m, y de 2,5 mm² para longitudes de cable de más de 25 m.
- La máquina deberá ser conectada solamente a un suministro de alimentación de la misma tensión que la indicada en la placa de características, y solamente puede ser utilizada en una toma de CA monofásica. La máquina está doblemente aislada de acuerdo con las normas europeas y puede, por

lo tanto, utilizarse también en tomas de corriente sin cable de toma de tierra.

- Evite tocar con el cuerpo superficies conectadas o puestas a tierra (por ejemplo, tuberías, radiadores, fogones, refrigeradores).

Funcionamiento

- Evite utilizar la máquina sobre hierba mojada. Ponga atención especial cuando trabaje sobre hierba mojada para evitar resbalar.
- Sujete el manillar firmemente con ambas manos durante la operación. Mantenga el manillar seco y limpio para evitar accidentes.
- No corra. Durante la operación camine solamente.
- Preste atención especial a su estabilidad cuando trabaje en una cuesta.
- No trabaje en línea recta hacia arriba o hacia abajo en una cuesta. Trabaje siempre a lo largo de la línea horizontal.
- Tenga cuidado especial cuando ponga en marcha la máquina en una cuesta.
- No trabaje nunca en una cuesta empinada.
- Preste mucha atención cuando recule o tire de la máquina hacia usted.
- No se acerque demasiado. Mantenga una estabilidad y equilibrio apropiados en todo momento. Esto le permitirá un

- mejor control de la máquina en situaciones inesperadas.
- Recuerde siempre:
 - Mantenga los pies alejados de las cuchillas.
 - No incline la máquina.
 - No se ponga delante de la abertura de descarga.
 - No dejen nunca que sus manos u otras partes del cuerpo o ropas estén cerca de las partes en movimientos.
 - No fuerce la máquina. Ésta realizará mejor el trabajo y de forma más segura a la velocidad para la que ha sido diseñada. Una sobrecarga frecuente podrá ocasionar daños al motor o un incendio.
 - Apague el motor y desenchufe la máquina:
 - Siempre que vaya a dejar la máquina desatendida
 - Antes de despejar una obstrucción o cualquier fallo
 - Antes de comprobar, limpiar o realizar trabajo en la máquina
 - Antes de hacer cualquier ajuste, cambiar accesorios o almacenar la máquina
 - Cuando la máquina golpee un objeto extraño. Espere hasta que la máquina se haya enfriado. Inspeccione la máquina y reemplace las partes si es necesario antes de continuar la operación.
 - Siempre que la máquina comience a vibrar o a hacer ruido raro
 - Cuando vaya a colocar o quitar el receptor de hierba
 - Cuando entre alguien en el área de trabajo
 - Cuando vaya a cruzar una superficie que no sea de hierba
 - Cuando transporte la máquina.
 - Detenga la cuchilla:
 - Si inclina la máquina
 - Cuando vaya a cruzar superficies que no sean de hierba
 - Cuando transporte la máquina hacia y desde las superficies donde va a trabajar.
 - Preste atención a las cuchillas. Éstas no se detienen inmediatamente después de apagar la máquina.

Instrucciones de mantenimiento

- Haga que su máquina sea servida por nuestro centro de servicio autorizado, utilizando siempre solamente piezas de repuesto genuinas. Una reparación incorrecta y un mal mantenimiento pueden acortar la vida útil de la máquina e incrementar el riesgo de accidentes.
- Inspeccione la máquina regularmente.
- Antes de realizar el servicio, inspección, ajuste, almacenaje, o cambiar un accesorio, siga los pasos siguientes:

- Apague la fuente de alimentación
- Desconecte la máquina del suministro de alimentación
- Asegúrese de que todas las partes en movimiento se han detenido completamente
- Deje que la máquina se enfríe.
- Inspeccione la máquina para detectar daños posibles:
 - Si los dispositivos de seguridad realizan debidamente la función prevista
 - Si todas las partes en movimiento funcionan suave y adecuadamente
 - Si todas las partes están sin daños y debidamente instaladas
 - Compruebe la cuchilla para ver si está dañada, desgastada o desequilibrada
 - Compruebe el receptor de hierba regularmente para ver si está dañado o desgastado
 - Compruebe todas las tuercas, pernos y tornillos para ver si están bien apretados
 - Reemplace o repare en nuestro centro de servicio autorizado si hay alguna parte dañada o desgastada.
- No realice trabajo de mantenimiento o reparación aparte del descrito en este manual de instrucciones. Cualquier otro trabajo deberá ser realizado por un centro de servicio autorizado de Makita.
- Utilice solamente piezas de repuesto y accesorios de Makita originales previstos para la máquina. De lo contrario, podrá resultar en heridas personales o daños a la máquina.
- Almacene la máquina en un cuarto seco. Manténgala fuera del alcance de los niños. No almacene nunca la máquina en exteriores.

Vibración

- Las personas con mala circulación sanguínea que se expongan a una vibración excesiva podrán experimentar lesión en los vasos sanguíneos o el sistema nervioso. La vibración podrá ocasionar los síntomas siguientes en los dedos, manos o muñecas: “Quedarse dormidos” (entumecimiento), hormigueo, dolor, sensación punzante, alteración del color de la piel o de la piel. Si ocurre cualquiera de estos síntomas, consulte con un médico.
- Para reducir el riesgo de sufrir la “enfermedad manos blancas”, mantenga las manos calientes durante la operación y en buen estado de mantenimiento el equipo y los accesorios.

⚠ ADVERTENCIA:

- La máquina produce un campo electromagnético durante la operación. Se recomienda que las personas con implantes médicos consulten con sus médicos y fabricantes de los implantes antes de utilizar esta máquina. De lo contrario, el campo electromagnético podrá afectar a sus implantes médicos y resultar en heridas personales.

MONTAJE

⚠ PRECAUCIÓN:

- Asegúrese siempre de que la máquina está apagada y desenchufada antes de realizar cualquier trabajo en ella.

Montaje de la barra del manillar (Fig. 2, 3)

- 1) Sujete la barra inferior del manillar (4) en la máquina con los pomos (11).
- 2) Ponga la barra superior del manillar (3) en la barra inferior del manillar, y después sujételas con dos espaciadores, la tuerca y la palanca (7).
- 3) Sujete el cable con las abrazaderas (8) en la barra del manillar.

Montaje del receptor de hierba

⚠ PRECAUCIÓN:

- No utilice la máquina sin el receptor de hierba. De lo contrario saldrán despedidos objetos y podrán ocasionar heridas.
- Para aparatos con descarga trasera con los rodillos traseros expuestos, cuando sean utilizados sin receptor, deberá utilizar protección para ojos completa.

NOTA:

- El rendimiento de la máquina se reduce cuando el receptor de hierba está lleno. Vacíe el receptor de hierba regularmente antes de que se llene completamente.

Instalación del receptor de hierba

Levante el protector deflector (10) y sujételo. Inserte los ganchos del receptor de hierba en las ranuras de la máquina.

Desinstalación del receptor de hierba

Levante el protector deflector (10) y sujételo. Quite el receptor de hierba soltando los ganchos de las ranuras de la máquina.

Aligeramiento de la tensión del cable (Fig. 4)

El aligeramiento de la tensión del cable (5) ayuda a prevenir que el cable se enganche en la cuchilla o la rueda.

Haga un pequeño lazo en el extremo del cable de alimentación, y páselo a través de la abertura del aligeramiento de la tensión del cable, y cuélguelo en el gancho.

Tenga siempre en consideración la posición del cable durante la operación. Comience su operación desde el punto más cercano al suministro de alimentación para evitar cortar el cable accidentalmente. Se recomienda mantener el cable sobre el hombro durante la operación.

Desmontaje o instalación de la cuchilla

⚠ PRECAUCIÓN:

- Póngase guantes protectores.
- Preste atención especial cuando maneje la cuchilla. Es muy afilada y puede calentarse durante la operación.
- Utilice siempre la cuchilla apropiada de acuerdo con la operación.
- Antes de la operación, asegúrese de que los dos pernos, que sujetan la cuchilla en la máquina, están firmemente apretados. No utilice la máquina si el perno está flojo o se ha perdido. Si está dañado, reemplácelo inmediatamente.

Desmontaje de la cuchilla

- 1) Quite el receptor de hierba (9).
- 2) Quite el manillar de la máquina.
- 3) Ponga la máquina al revés sobre de una superficie plana.
- 4) Afloje los dos pernos (14). Quite los tornillos y las arandelas de resorte.
- 5) Levante la parte del rodamiento de la cuchilla (15), y después saque la cuchilla (13) del eje de transmisión (16).

Instalación de la cuchilla

- 1) Inserte la cuchilla deslizando su parte de la tuerca hexagonal hacia el receptáculo del eje de transmisión.
- 2) Sujete la parte del rodamiento en la máquina con los pernos y arandelas de resorte.

DESCRIPCIÓN DE FUNCIONAMIENTO

⚠ ADVERTENCIA:

- Antes de enchufar la máquina, asegúrese siempre de que la máquina está apagada. Si enchufa la máquina con el interruptor activado podrá ocasionar una puesta en marcha inesperada resultando en heridas personales graves.

- No utilice nunca la máquina si el cable de alimentación está dañado. De lo contrario podrá ocasionar una descarga eléctrica.
- No utilice la máquina si el interruptor no la enciende y apaga. Haga que el centro de servicio autorizado de Makita reemplace el interruptor defectuoso.

Palanca de puesta en marcha/parada

Para poner en marcha la máquina, mantenga presionado el botón de desbloqueo (2), y después apriete la palanca de puesta en marcha/parada (1) completamente y sujétela. Una vez que haya apretado la palanca de puesta en marcha/parada, no necesita sujetar el botón de desbloqueo.

Para parar la máquina, simplemente suelte la palanca de puesta en marcha/parada.

Ajuste del ángulo del manillar

Puede cambiar el ángulo de la barra superior del manillar.

- 1) Desbloquee los fijadores del manillar (6).
- 2) Ajuste el ángulo de la barra superior del manillar (3).
- 3) Bloquee los fijadores del manillar otra vez.

Ajuste de altura

Dependiendo de la condición de la hierba, ajuste la altura de la cuchilla.

Consulte la tabla de abajo como indicación aproximada para los ajustes de profundidad.

| Altura | Uso | |
|--------|---|---|
| | Escarificar | Rastrillar (Accesorio opcional) |
| +5 mm | Para transporte y almacenamiento. Escarificar césped sensible. Desprender capas finas. La segunda operación de escarificación en otoño. | Para transporte y almacenamiento. Rastrillar césped normal. |
| 0 mm | Escarificar césped normal. Desprender capa normal. | Rastrillar césped grueso basto. |
| -5 mm | Escarificar césped normal. Desprender capa gruesa. | NO utilizar para operación de rastrillar. |
| -10 mm | Escarificar césped grueso basto. Desprender capa gruesa. | NO utilizar para operación de rastrillar. |

Cambio de la altura

Empuje la palanca de ajuste de altura (12) hacia afuera, y muévala a la posición deseada.

Protección contra sobrecarga

Esta máquina está equipada con una protección contra sobrecarga, y funciona en las siguientes situaciones:

- Cuando la cuchilla se atasca debido a la acumulación de materiales escarificados alrededor de ella.
- Cuando la máquina esté intentando escarificar más de lo que el motor puede manejar.
- Cuando algo impida el giro de la cuchilla.

Cuando esta protección se activa, la máquina se apaga automáticamente.

Si ocurre esto, desenchufe la máquina, espere hasta que se enfríe, y retire la causa de la sobrecarga antes de volver a poner en marcha la máquina.

OPERACIÓN

Consejos para la operación:

- Corte la hierba antes de la operación y fertilice después de la operación.
- Ajuste la profundidad de la cuchilla de acuerdo con la altura de la hierba y el estado del tiempo.
- Evite utilizar la máquina sobre hierba mojada. Tenderá a adherirse en la abertura de descarga y otras partes de la máquina. También podrá ocasionar resbalamiento y caída.
- No se mueva muy rápido. Empuje la máquina despacio. De lo contrario la abertura de descarga podrá atascarse y el motor podrá sobrecargarse.
- Realice la operación a lo largo de una línea lo más recta posible.
- Haga líneas escarificadas solapándose ligeramente. Así mantendrá una superficie plana y uniforme.
- Cuando en el área de operación haya un macizo de flores, haga un círculo o dos alrededor del macizo de flores.
- Tenga cuidado especial cuando gire la máquina.
- No se mantenga en una posición. Eso dañará la hierba.

Consejos para escarificar:

- Tenga siempre en cuenta el estado del tiempo. El tiempo cálido, soleado y húmedo es bueno para escarificar porque el césped se puede recuperar fácilmente. Por el contrario, evite el tiempo frío, caluroso, y seco.
- Durante la estación de primavera escarifique el césped.
- Si el verano es húmedo, escarifique el césped a principios de otoño.
- Absténgase de escarificar durante los periodos de tiempo muy caluroso.
- Si el verano es muy seco, no escarifique en otoño.

Consejos para rastrillar:

- El área alrededor de las raíces del césped necesita abundante cantidad de aire para mantener un crecimiento saludable en la estación de primavera.
- Se recomienda realizar la operación de aireación en el césped cada 4 – 6 semanas de acuerdo con el estado del césped.

⚠ PRECAUCIÓN:

- Asegúrese siempre de que la máquina está apagada y desenchufada antes de realizarla inspección o el mantenimiento.
- Póngase guantes protectores antes de realizar la inspección o el mantenimiento.
- La cuchilla no se detiene inmediatamente después de apagar la máquina. Espere hasta que se detengan todas las partes antes de realizar cualquier trabajo de mantenimiento.
- Asegúrese de que ha retirado todas las herramientas después de realizar el trabajo de mantenimiento.
- No utilice nunca gasolina, bencina, disolvente, alcohol o sustancias similares para la limpieza. Podrá resultar en decoloración, deformación o grietas. Para limpiar la máquina, utilice solamente un paño húmedo y un cepillo suave.
- No rocíe ni limpie la máquina con una manguera con agua a mucha presión.

Cuando transporte la máquina, preste atención a los puntos siguientes:

- Apague el motor, desenchufe el cable y espere hasta que la cuchilla se detenga.
- Ajuste la profundidad de la cuchilla a la altura de transporte.
- Transporte siempre la máquina agarrándola por el manillar.
- Evite los impactos fuertes o la vibración intensa.
- Sujete la máquina firmemente en caso de que la embarque en vehículos.

Realice los pasos siguientes después de cada operación:

- Apague el motor, desenchufe el cable y espere hasta que la cuchilla se detenga.

- Limpie el receptor de hierba. Almacene la máquina en un cuarto seco.
- Compruebe, limpie y almacene la máquina en un cuarto seco.

Realice el trabajo siguiente regularmente:

- Compruebe que todos los fijadores, tales como tornillos, tuercas, etc., están bien apretados.
- Compruebe para ver si hay defectos tales como partes flojas, desgastadas o dañadas. Reemplácelas si es necesario.
- Compruebe que las cubiertas y los protectores no están dañados o deformados.
- Si la máquina comienza a vibrar anormalmente durante la operación, ello podrá estar causado por una cuchilla desequilibrada o deformada debido a los impactos con objetos extraños. Haga que el centro de servicio autorizado repare o reemplace la cuchilla si se da el caso.
- La cuchilla se desgasta con el paso del tiempo. Compruebe la condición de la cuchilla y su estabilidad regularmente. Reemplácela si está desgastada o si se desafiló.
- Limpie y lubrique todos los tornillos antes de almacenarla.

SOLUCIÓN DE PROBLEMAS

ADVERTENCIA: Antes de resolver problemas, apague la máquina, retire el enchufe de alimentación, y espere hasta que la máquina se haya detenido completamente.

| Problema | Causa posible | Remedio |
|---|---|---|
| La máquina no se pone en marcha. | El suministro de alimentación no está enchufado. | Conecte el suministro de alimentación. |
| | Cable de alimentación defectuoso. | Desenchufe inmediatamente. Pida al Centro de servicio autorizado de Makita que se lo repare. |
| | Circuito eléctrico defectuoso. | Pida al Centro de servicio autorizado de Makita que se lo repare. |
| | El botón de desbloqueo no está presionado. | Presione el botón de desbloqueo y apriete la palanca de puesta en marcha/parada. |
| Hay sonidos de craqueo en la máquina. | Hay materia extraña enredada en la cuchilla. | Apague el motor, desenchufe el cable, y espere hasta que la cuchilla se detenga. Y después retire la materia extraña. |
| Hay sonidos extraños en la máquina. | Correa de transmisión defectuosa | Pida al Centro de servicio autorizado de Makita que se la repare. |
| La máquina no alcanza su potencia máxima. | La fuente de alimentación tiene una tensión más baja de la requerida. | Pruebe con otra fuente de alimentación. Compruebe si se dispone de la fuente de alimentación apropiada. |
| | Las aberturas de ventilación están obstruidas. | Limpie las aberturas de ventilación. |
| Malos resultados. | La hierba es muy alta. | Siegue la hierba antes de escarificar. |
| | La cuchilla está desgastada o dañada. | Reemplácela. |
| | La superficie escarificada excede la capacidad de la máquina. | Escarifique solamente una superficie que sea de acuerdo con la capacidad de la máquina. |
| | La profundidad de escarificación no es correcta. | Ajuste la profundidad de la cuchilla. |

ACCESORIOS OPCIONALES

PRECAUCIÓN:

- Estos accesorios y aditamentos son los recomendados para utilizar con la máquina Makita especificada en este manual. La utilización de cualquier otro accesorio o aditamento podrá presentar un riesgo de heridas a personas. Utilice los accesorios o aditamentos solamente para el propósito que han sido previstos.
- Si necesita cualquier asistencia para ver más detalles sobre estos accesorios, pregunte al Centro de servicio autorizado de Makita local.

Hay varios tipos de cuchillas:

- Cuchilla de escarificación - El borde afilado de la cuchilla escarifica la tierra y corta raíces.
- Cuchilla de rastrillar (accesorio opcional) - Para retirar el césped y las hojas con agujas finas.
- Cuchilla 2 en 1 (accesorio opcional) - Rastrillar y escarificar al mismo tiempo.

AVISO:

- Algunos elementos de la lista podrán estar incluidos en el paquete de la máquina como accesorios estándar. Ellos podrán variar de un país a otro.

Para países europeos solamente

Declaración de conformidad CE

Makita declara que la(s) máquina(s) siguiente(s):

Designación de máquina:

Escarificadora Eléctrica

Modelo N°/Tipo: UV3600

Cumplen con las directivas europeas siguientes:

2000/14/CE enmendado con 2005/88/CE, 2006/42/CE, 2004/108/CE, 2011/65/UE

Están fabricadas de acuerdo con las normas o documentos normalizados siguientes:

EN60335, EN13684

El archivo técnico de acuerdo con la norma 2006/42/CE está disponible en:

Makita, Jan-Baptist Vinkstraat 2, 3070, Bélgica

El procedimiento de valoración de conformidad requerido por la Directiva 2000/14/CE ha sido realizado de acuerdo con el anexo V.

Nivel de potencia de sonido medido: 99,53 dB (A)

Nivel de potencia de sonido garantizado: 104 dB (A)

21.11.2014



Yasushi Fukaya
Director

Makita, Jan-Baptist Vinkstraat 2, 3070, Bélgica

AVISO: Este aparelho pode ser utilizado por crianças com 8 anos e mais de idade e por pessoas com capacidades físicas, sensoriais ou mentais reduzidas ou com falta de experiência e conhecimento, se tiverem recebido supervisão ou instruções relativas à utilização segura do aparelho e conheçam os respetivos perigos. As crianças não devem brincar com o aparelho. A limpeza e manutenção pelo utilizador não devem ser realizadas por crianças sem supervisão.

DESIGNAÇÃO DAS PEÇAS (Fig. 1)

- | | | |
|---------------------------------|---------------------------------------|------------------------------|
| 1. Alavanca de arranque/paragem | 8. Braçadeira (x2) | 14. Cavilha e anilha de mola |
| 2. Botão de bloqueio | 9. Apanhador de erva | 15. Rolamento |
| 3. Guiador superior | 10. Proteção defletora | 16. Veio de transmissão |
| 4. Guiador inferior | 11. Botão | |
| 5. Grampo de fio | 12. Alavanca de ajustamento da altura | |
| 6. Grampo da pega | 13. Ferramenta de corte | |
| 7. Alavanca | | |

DADOS TÉCNICOS

| | |
|---|--|
| Nome de modelo | UV3600 |
| Tensão | 230-240 V |
| Frequência | 50 Hz |
| Potência nominal à rede | 1.800 W |
| Peso líquido | 15,3 kg |
| Velocidade em vazio | 3.500 min ⁻¹ |
| Largura máxima de corte | 360 mm |
| Intervalo de altura de trabalho | 4 passos (-10/-5/0/5 mm) |
| Volume do apanhador de erva | 40 L |
| Classe de proteção | IPX4 |
| Nível de pressão sonora | 81,24 dB (A), K= 2,50 dB (A) |
| Nível de pressão sonora no ouvido do operador | 85,5 dB (A), K= 2,50 dB (A) |
| Nível de potência sonora medido | 99,53 dB (A), K= 4,50 dB (A) |
| Nível de potência sonora garantido | 104 dB (A) |
| Vibração | 4,673 m/s ² , K= 1,5 m/s ² |

SÍMBOLOS

O que se segue mostra os símbolos usados para a máquina. Certifique-se de que compreende o seu significado antes da utilização.



• Leia o manual de instruções.



• Tome particular cuidado e atenção.



• Isolamento duplo.



• Use luvas de proteção.



- Use botas robustas com solas antiderrapantes.



- Use proteção para os olhos e ouvidos.



- Espere até todas as peças da máquina pararem completamente.



- Preste atenção às ferramentas de corte afiadas.



- Desligue o motor e retire da tomada antes da limpeza, manutenção ou se o cabo de alimentação estiver danificado.



- Os objetos podem ser lançados a alta velocidade.



- Mantenha uma distância segura entre outras pessoas presentes ou animais de estimação e a área de trabalho.



- Não exponha à chuva nem à humidade.



- Retire a ficha imediatamente se o cabo de alimentação estiver danificado ou cortado.



- Risco de choque elétrico.



- Mantenha o cabo longe das ferramentas de corte ou das rodas.



- Apenas para os países da UE

Não elimine o equipamento elétrico juntamente com lixo doméstico!

Em observação da diretiva europeia relativa aos resíduos de equipamentos elétricos e eletrônicos e sua implementação em conformidade com as leis nacionais, o equipamento elétrico que tenha atingido o final da sua vida deve ser recolhido separadamente e devolvido a uma instalação de reciclagem ambiental compatível.

AVISOS DE SEGURANÇA

LEIA CUIDADOSAMENTE ANTES DA UTILIZAÇÃO MANTENHA O MANUAL DE INSTRUÇÕES PARA FUTURA REFERÊNCIA



Não comece a operar a máquina antes de ler estas instruções de funcionamento. Observe todas as instruções dadas e instale a máquina como descrito.

Utilização prevista da máquina

- Esta máquina destina-se a escarificar ou usar ancinho em jardins.
- O escarificador destina-se somente para uso pessoal e não para uso comercial. Também não o utilize em locais públicos.

Para sistemas públicos de distribuição de corrente de entre 220 V e 250 V.

As operações de mudança dos aparelhos eléctricos podem provocar variações de tensão. O funcionamento deste aparelho em condições de corrente eléctrica desfavoráveis pode causar efeitos adversos no funcionamento de outros equipamentos. Com uma impedância da corrente eléctrica de 0,412 Ohms, poderá presumir-se que não existam efeitos negativos. A tomada utilizada para este dispositivo deve estar protegida com um fusível ou disjuntor de protecção com características de accionamento baixas.

Instruções gerais

- Leia este manual de instruções para se familiarizar com o manuseamento da máquina. O manuseamento da máquina por utilizadores insuficientemente informados aumenta o risco de incêndio, choque eléctrico ou ferimento pessoal a si próprios bem como aos outros.

- Não empreste a máquina a pessoas que comprovadamente não tenham experiência.
- Quando emprestar a máquina, junte sempre este manual de instruções.
- A máquina não se destina a ser usada por pessoas com capacidades físicas, sensoriais ou mentais reduzidas ou com falta de experiência e conhecimento. As crianças jovens devem ser supervisionadas para assegurar que não brincam com a máquina.
- Opere somente se estiver em boas condições físicas. Execute todo o trabalho com calma e cuidadosamente. O utilizador é responsável por toda a segurança das pessoas e pelos danos em torno da área de operação.
- Nunca utilize esta máquina após o consumo de álcool ou drogas ou se sentir cansado ou doente.
- Descanse para evitar perda de controlo provocada pela fadiga. Recomendamos um período de descanso de 10 a 20 minutos a cada hora.
- Utilize a máquina em conformidade com estas instruções, considerando as condições de trabalho e a aplicação. A utilização não intencional da máquina pode resultar numa situação perigosa.

- Os regulamentos nacionais ou locais podem limitar o manuseamento da máquina.
- Esteja alerta. Esteja atento ao que estiver a fazer. Utilize o senso comum. Não opere a máquina quando estiver cansado.

Equipamento de proteção individual

- Vista-se adequadamente. O vestuário usado deve ser funcional e apropriado, ou seja deve ser justo ao corpo mas não provocar impedimento de movimentos. Não use joalheria nem vestuário que se possa emaranhar na máquina. Use proteção para cobrir o cabelo para conter o cabelo comprido.
- Use sempre proteções para os ouvidos para evitar perda auditiva.
- Use óculos de proteção ou segurança para proteger os olhos de objetos e detritos volantes.
- Use luvas de proteção para evitar ferimento nos dedos.
- Use máscara antipoeira para reduzir o risco de ferimento.
- Quando utilizar a máquina, use sempre sapatos robustos com uma sola antiderrapante. Isso protege dos ferimentos e assegura um bom apoio para os pés.
- Enquanto opera a máquina, use sempre calçado forte e calças compridas. Não opere a máquina quando estiver descalço ou usar sandálias abertas.

Segurança da área de trabalho

- Mantenha as crianças e outras pessoas presentes, incluindo animais, afastados enquanto opera a máquina.
- Verifique a área de trabalho para ver se não há pedras, fios, vidro ou outros objetos estranhos. Objetos estranhos podem ser apanhados ou lançados pela máquina, resultando em danos ou ferimentos.
- Opere a máquina somente em boas condições de visibilidade e durante o dia. Não opere a máquina quando estiver escuro ou nevoeiro.
- Não opere a máquina em atmosferas explosivas, tais como na presença de líquidos, gases ou poeira inflamáveis. A máquina gera faíscas que podem inflamar a poeira ou os gases.
- Não exponha a máquina à chuva nem a condições de humidade. A água que entre na máquina pode aumentar o risco de choque elétrico.

Arranque da máquina

- Antes de ligar a ficha ou interruptor na máquina:
 - Verifique a ficha e cabo e confirme se estão em boas condições.
 - Verifique se todos os parafusos, porcas e outros fixadores estão devidamente seguros.

- Verifique se as ferramentas de corte estão no lugar e em boas condições de funcionamento.
- Verifique se as proteções e dispositivos de segurança, como defletores ou apanhador de erva, funcionam bem.
- Verifique se os respiradouros não estão cobertos de pó ou outros materiais estranhos. Limpe-os com uma escova ou pano macio se estiverem obstruídos.
- Substitua os rótulos danificados ou ilegíveis.
- Verifique cuidadosamente todas as peças da máquina para determinar se ela funciona devidamente e execute a sua função prevista. Sobretudo nunca utilize a máquina se o interruptor não funcionar normalmente.
- Certifique-se de que o interruptor está desligado para evitar o arranque involuntário.
- Verifique se todas as ferramentas para manutenção, como chave inglesa ou chave de parafusos estão retiradas.
- Se o cabo de alimentação estiver danificado, peça a sua substituição ao centro de assistência autorizado Makita, usando sempre peças de substituição genuínas.
- Nunca utilize a máquina se o dispositivo de segurança, como proteção defletora ou apanhador de erva, estiver danificado ou em falta.
- Quando ligar o motor:
 - Mantenha os seus pés longe das ferramentas de corte.
 - Não incline a máquina.
 - Não se ponha em frente da abertura de descarga.
 - Nunca coloque as suas mãos ou outra parte do corpo ou vestuário perto das peças móveis.

Segurança elétrica

- Verifique se a ficha do conector na máquina encaixa na tomada antes da utilização.
- Nunca modifique a ficha do conector.
- Não maltrate o fio. Nunca use o fio para transportar, puxar ou desligar a máquina da tomada. Mantenha o fio afastado do calor, óleo, de pontas afiadas ou peças móveis. Os fios danificados ou emaranhados aumentam o risco de choque elétrico.
- Verifique a extensão regularmente para ver se existem danos ao isolamento. Substitua-a se estiver danificada.
- Se o cabo de ligação estiver danificado, retire imediatamente a ficha da rede. Um cabo danificado pode provocar contacto com as partes condutoras e choque elétrico.
- Nunca utilize fio danificado.

- Mantenha o fio e extensão longe das ferramentas de corte e rodas. As ferramentas de corte podem danificar o cabo e causar choque elétrico.
- Quando utilizar a máquina em exteriores, use sempre um disjuntor de corrente residual (RCD) com uma corrente de funcionamento de 30 mA ou menos.
- Use apenas extensão para uso no exterior com conector protegido contra projeções de água. A sua secção transversal deve ter no mínimo 1,5 mm² para comprimentos de cabo até 25 m, e 2,5 mm² para comprimentos de cabo superiores a 25 m.
- A máquina deve estar ligada apenas a uma fonte de alimentação da mesma tensão da indicada na placa sinalética e pode apenas ser operada em fonte CA monofásica. Têm isolamento duplo em conformidade com a norma europeia e podem, por isso, também ser usadas a partir de tomadas sem ligação à terra.
- Evite o contacto do corpo com superfícies ligadas à terra (por exemplo, tubos, radiadores, fogões e refrigeradores).
- Segure na pega firmemente com ambas as mãos durante a operação. Mantenha a pega seca e limpa para evitar acidentes.
- Não corra. Caminhe apenas durante a operação.
- Tome particular atenção onde põe os pés quando trabalhar num declive.
- Não trabalhe em linha reta para cima ou para baixo num declive. Trabalhe sempre ao longo de uma linha horizontal.
- Tenha especial cuidado quando virar a máquina num declive.
- Nunca trabalhe num declive acentuado.
- Tome extremo cuidado quando fizer inversão ou puxar a máquina para si.
- Não se estique demasiado. Mantenha sempre apoio e equilíbrio adequados. Isso permite o melhor controlo da máquina em situações inesperadas.
- Nunca se esqueça:
 - Mantenha os seus pés longe das ferramentas de corte.
 - Não incline a máquina.
 - Não se ponha em frente da abertura de descarga.
 - Nunca coloque as suas mãos ou outra parte do corpo ou vestuário perto das peças móveis.

Operação

- Evite operar em erva molhada. Tome particular atenção quando trabalhar em erva molhada para evitar escorregadelas.
- Não force a máquina. Ela executa melhor o trabalho e de forma mais segura ao ritmo para que foi concebida. A sobrecarga

frequente pode danificar o motor ou provocar incêndio.

• Desligue o motor e retire a ficha:

- Sempre que deixar a máquina sozinha
 - Antes de eliminar uma obstrução ou qualquer falha
 - Antes de verificar, limpar ou trabalhar na máquina
 - Antes de efetuar quaisquer ajustamentos, mudar acessórios ou guardar a máquina
 - Quando a máquina atingir um objeto estranho Espere até a máquina arrefecer. Inspeção a máquina e substitua as peças se necessário antes de continuar a operação
 - Sempre que a máquina começar a vibrar ou emitir um ruído invulgar
 - Quando colocar ou remover o apanhador de erva
 - Quando alguém entrar na sua área de trabalho
 - Quando atravessar uma superfície sem ser erva
 - Quando a transportar.
- Pare a ferramenta de corte:
- Se tiver de inclinar a máquina
 - Quando atravessar superfícies sem ser erva
 - Transportar a máquina para e de superfícies a serem trabalhadas.

• Preste atenção às ferramentas de corte. Não param imediatamente após desligar.

Instruções de manutenção

- Mandar a sua máquina para ser assistida pelo nosso centro de assistência autorizado, usando sempre apenas peças de substituição genuínas. A reparação incorreta e má manutenção podem encurtar a vida da máquina e aumentar o risco de acidentes.
- Inspeção a máquina regularmente.
- Antes da assistência, inspeção, ajustamento, armazenamento, ou para mudar um acessório, tome as seguintes medidas:
 - Desligue a fonte de alimentação
 - Desligue a máquina da fonte de alimentação
 - Certifique-se de que todas as peças móveis param por completo
 - Deixe a máquina arrefecer.
- Inspeção a máquina para ver possíveis danos:
 - Quer os dispositivos de segurança funcionem corretamente para a sua função prevista
 - Quer todas as peças móveis funcionem de forma suave e adequada
 - Quer todas as peças não estejam danificadas e estejam devidamente instaladas

- Verifique a ferramenta de corte para ver se está danificada, gasta ou desequilibrada
- Verifique o apanhador de erva regularmente para ver se está danificado ou gasto
- Verifique se todas as porcas, cavilhas e parafusos estão apertados
- Onossocentrodeassistência autorizado deve substituir ou reparar se houver peças danificadas ou gastas.
- Não execute trabalho de manutenção ou reparação para além daquele descrito neste manual de instruções. Qualquer outro trabalho deve ser executado pelo centro de assistência autorizado Makita.
- Use somente peças de substituição e acessórios originais da Makita destinados à sua máquina. Caso contrário, isso pode resultar em ferimento pessoal ou danos à máquina.
- Guarde a máquina num lugar seco. Mantenha longe do alcance das crianças. Nunca guarde a máquina no exterior.

Vibração

- As pessoas com má circulação sanguínea que estejam expostas a vibração excessiva podem lesionar os vasos sanguíneos ou o sistema nervoso. A vibração pode provocar os seguintes sintomas nos dedos, mãos ou pulsos: “Adormecimento” (dormência), formiguelo, dor, sensação de pontada, alteração da cor da pele ou da própria pele. Se ocorrer qualquer destes sintomas, consulte um médico.
- Para reduzir o risco de “doença dos dedos brancos”, mantenha as suas mãos quentes durante a operação e faça a devida manutenção do equipamento e acessórios.

⚠ AVISO:

- Esta máquina produz um campo eletromagnético durante a operação. Recomenda-se que as pessoas com implantes médicos consultem os seus médicos e fabricantes dos implantes antes de utilizar esta máquina. Caso contrário o campo eletromagnético pode afetar os implantes médicos e pode resultar em lesão grave.

ASSEMBLAGEM

⚠ PRECAUÇÃO:

- Certifique-se sempre de que a máquina está desligada e retirada da tomada antes de executar qualquer trabalho na ferramenta.

Montagem do guiador (Fig. 2, 3)

- 1) Aperte o guiador inferior (4) à máquina com os botões (11).
- 2) Coloque o guiador superior (3) sobre o guiador inferior e depois aperte-os com dois espaçadores, porca e a alavanca (7).
- 3) Aperte o fio com as braçadeiras (8) sobre o guiador.

Montagem do apanhador de erva

⚠ PRECAUÇÃO:

- Não opere a máquina sem o apanhador de erva. Caso contrário, os objetos ejetados podem provocar ferimentos.
- Nos aparelhos de descarga traseira com rolos traseiros expostos, quando usados sem um apanhador, deve-se usar proteção total para os olhos.

NOTA:

- O desempenho da máquina diminui quando o apanhador de erva estiver cheio. Esvazie o apanhador de erva regularmente antes de ficar completamente cheio.

Instalação do apanhador de erva

Puxe a proteção defletora (10) para cima e segure-a. Insira os ganchos no apanhador de erva nas ranhuras da máquina.

Remoção do apanhador de erva

Puxe a proteção defletora (10) para cima e segure-a. Retire o apanhador de erva soltando os ganchos das ranhuras na máquina.

Grampo de fio (Fig. 4)

O grampo de fio (5) ajuda a impedir que o fio se emaranhe na lâmina ou roda.

Faça um pequeno laço na ponta do fio de rede e passe-o pela abertura do grampo de fio e depois pendure-o no gancho.

Tome sempre em consideração a posição do fio durante a operação. Inicie a sua operação a partir do ponto mais próximo da fonte de alimentação para evitar que o fio seja cortado acidentalmente. Recomenda-se que mantenha o fio por cima do seu ombro durante a operação.

Remoção ou instalação da ferramenta de corte

⚠ PRECAUÇÃO:

- Use luvas de proteção.
- Tome particular atenção quando manusear a ferramenta de corte. É muito afiada e pode ficar quente durante a operação.
- Utilize sempre ferramenta de corte apropriada em conformidade com a sua operação.
- Antes da operação, certifique-se de que as duas cavilhas, que seguram a ferramenta de corte na máquina, estão firmemente apertadas. Não use a máquina se a cavilha estiver solta ou em falta. Se estiver danificada, substitua-a imediatamente.

Remoção da ferramenta de corte

- 1) Remova o apanhador de erva (9).
- 2) Remova a pega da máquina.
- 3) Vire a máquina ao contrário sobre um piso plano.
- 4) Desaperte as duas cavilhas (14). Retire-as e as anilhas de mola.
- 5) Levante a parte do rolamento da ferramenta de corte (15), e depois tire a ferramenta de corte (13) do veio de transmissão (16).

Instalação da ferramenta de corte

- 1) Insira a ferramenta de corte deslizando a parte da sua porca sextavada na união do veio de transmissão.
- 2) Aperte a parte do rolamento à máquina através das cavilhas e anilhas de mola.

DESCRIÇÃO FUNCIONAL

⚠ AVISO:

- Antes de ligar a máquina à tomada, certifique-se sempre de que ela está desligada. Ligar a máquina com o interruptor ligado pode provocar um arranque inesperado resultando em ferimento pessoal grave.
- Nunca utilize a máquina se o cabo de alimentação estiver danificado. Caso contrário pode provocar choque elétrico.
- Não utilize a máquina se o interruptor não a liga e desliga. Os interruptores com defeito devem ser substituídos pelo centro de assistência autorizado Makita.

Alavanca de arranque/paragem

Para iniciar a máquina, prima e mantenha premido o botão de bloqueio (2), e depois puxe totalmente a alavanca de arranque/paragem (1) e segure-a. Assim que puxar a alavanca de arranque/paragem, não precisa segurar o botão de bloqueio.

Para parar a máquina, basta soltar a alavanca de arranque/paragem.

Ajustamento do ângulo da pega

Pode alterar o ângulo do guiador superior.

- 1) Destrave os grampos da pega (6).
- 2) Ajuste o ângulo do guiador superior (3).
- 3) Volte a travar os grampos da pega.

Ajustamento da altura

Dependendo da condição da erva, ajuste a altura da ferramenta de corte.

Consulte a tabela abaixo para uma indicação aproximada das definições de profundidade.

| Altura | Utilização | |
|--------|---|---|
| | Escarificar | Ancinho (Acessório opcional) |
| +5 mm | Para transporte e armazenamento. Escarificar relva sensível. Descolmar camadas finas. A segunda operação de escarificação no outono. | Para transporte e armazenamento. Usar ancinho em relva normal. |
| 0 mm | Escarificar relva normal. Descolmar camada normal. | Usar ancinho em relva espessa descuidada. |
| -5 mm | Escarificar relva normal. Descolmar camada espessa. | NÃO utilize na operação do ancinho. |
| -10 mm | Escarificar relva espessa descuidada. Descolmar camada espessa. | NÃO utilize na operação do ancinho. |

Alteração da altura

Empurre a alavanca de ajustamento da altura (12) para fora e desloque-a para a posição desejada.

Proteção contra sobrecarga

Esta máquina está equipada com uma proteção contra sobrecarga e funciona nas seguintes situações:

- A ferramenta de corte fica obstruída porque os materiais da escarificação se acumulam em torno dela.
- A máquina está a tentar escarificar mais do que o motor consegue aguentar.
- Algo impede a rotação da ferramenta de corte.

Quando esta proteção funciona, a máquina é desligada automaticamente.

Se isso acontecer, desligue a máquina da tomada, espere até que arrefeça e solucione a causa da sobrecarga antes de reiniciar a máquina.

OPERAÇÃO

Sugestões de operação:

- Corte a sua erva antes da operação e fertilize após a operação.
- Ajuste a profundidade da ferramenta de corte em conformidade com a altura da erva e o tempo.
- Evite operar em erva molhada. Tende a aderir à porta de descarga e outras peças da máquina. Pode também provocar escorregadelas e quedas.
- Não desloque muito rápido. Empurre a máquina lentamente. Caso contrário a porta de descarga pode ficar obstruída e o motor sobrecarregado.
- Opere ao longo de uma linha o mais reto possível.
- Faça linhas de escarificação ligeiramente sobrepostas. Isso manterá uma superfície plana e regular.
- Quando se incluir um canteiro de flores na área de operação, faça um ou dois círculos em torno do canteiro.
- Tenha especial cuidado quando rodar a máquina.
- Não fique numa posição. Isso danifica a erva.

Sugestões para a escarificação:

- Tenha sempre em conta o tempo. Tempo quente, soalheiro e húmido é bom para escarificar porque a relva pode recuperar bem. Por outro lado, evite tempo frio, quente e seco.
- Escarifique a relva durante a primavera.

- Se o verão for húmido, escaifique a relva no início do outono.
- Abstenha-se de escarificar durante período de tempo extremamente quente.
- Se o verão for muito seco, não escaifique no outono.

Sugestões para usar o ancinho:

- É necessário muito ar para a área em torno das raízes da relva para manter crescimento saudável na estação da primavera.
- Recomenda-se a execução de operação de arejamento da relva todas as 4 a 6 semanas de acordo com o estado da relva.

MANUTENÇÃO

⚠ PRECAUÇÃO:

- Certifique-se sempre de que a máquina está desligada e retirada da tomada antes de executar a inspeção ou manutenção.
- Use luvas de proteção antes de executar a inspeção ou manutenção.
- O cortador não para imediatamente após desligar. Espere até todas as peças pararem antes de executar qualquer trabalho de manutenção.
- Certifique-se de que todas as ferramentas são removidas após o trabalho de manutenção.
- Nunca utilize gasolina, benzina, diluente, álcool ou produtos semelhantes para limpeza. Pode ocorrer a descoloração, deformação ou fissuras. Para limpar a máquina, use apenas um pano húmido e escova macia.
- Não passe mangueira nem limpe a máquina com água a alta pressão.

Quando transportar a máquina, tome atenção aos seguintes pontos:

- Desligue o motor, retire da tomada e espere até a ferramenta de corte parar.

- Ajuste a profundidade da ferramenta de corte à altura de transporte.
- Transporte sempre a máquina pela respetiva pega.
- Evite forte impacto ou vibração intensa.
- Segure a máquina firmemente no caso de ser colocada em veículos.

Execute os seguintes passos após cada operação:

- Desligue o motor, retire da tomada e espere até a ferramenta de corte parar.
- Limpeza do apanhador de erva. Guarde-o num lugar seco.
- Verifique, limpe e guarde a máquina num lugar seco.

Execute regularmente o seguinte trabalho:

- Verifique se todos os grampos, como parafusos, porcas, etc. estão bem apertados.
- Verifique para ver se há defeitos como peças soltas, gastas ou danificadas. Substitua-as se necessário.
- Verifique se as coberturas e proteções não estão danificadas nem deformadas.
- Se a máquina começar a vibrar anormalmente durante a operação, isso pode ser provocado por ferramenta de corte desequilibrada ou deformada devido a impactos de objetos estranhos. Mandar reparar ou substituir a ferramenta de corte ao centro de assistência autorizado, se isso acontecer.
- A ferramenta de corte desgasta-se com o decorrer do tempo. Verifique regularmente a condição da ferramenta de corte e sua estabilidade. Substitua-a se estiver gasta ou ficar rombuda.
- Limpe e lubrifique todas as peças de aparafusamento antes de guardar.

RESOLUÇÃO DE PROBLEMAS

AVISO: Antes de solucionar problemas, desligue a máquina, retire a ficha da rede e espere até a máquina parar completamente.

| Problema | Possível causa | Solução |
|---|--|---|
| A máquina não arranca. | A fonte de alimentação não está ligada. | Ligue a fonte de alimentação. |
| | Defeito do cabo de alimentação. | Desligue imediatamente. Peça ao seu centro de assistência autorizado Makita para o reparar. |
| | Defeito do circuito elétrico. | Peça ao seu centro de assistência autorizado Makita para o reparar. |
| | Botão de bloqueio não está premido. | Prima o botão de bloqueio e puxe a alavanca de arranque/paragem. |
| A máquina emite sons estaladiços. | Existe matéria estranha emaranhada na ferramenta de corte. | Desligue o motor, retire da tomada e espere até o cortador parar. E depois remova a matéria estranha. |
| Saem sons estranhos da máquina. | Defeito da correia de transmissão | Peça ao seu centro de assistência autorizado Makita para a reparar. |
| A máquina não atinge a sua máxima potência. | A fonte de alimentação tem tensão inferior ao exigido. | Tente outra fonte de alimentação. Verifique se foi atribuída fonte de alimentação correta. |
| | Os respiradouros estão obstruídos. | Limpe os respiradouros. |
| Mau resultado. | A erva está muito alta. | Corte a erva antes de escarificar. |
| | Ferramenta de corte está gasta ou danificada. | Substitua-a. |
| | A superfície escarificada excede a capacidade da máquina. | Escarifique apenas uma superfície que esteja em conformidade com a capacidade da máquina. |
| | Profundidade de escarificação não está correta. | Ajuste a profundidade da ferramenta de corte. |

⚠ PRECAUÇÃO:

- Recomenda-se a utilização destes acessórios ou apetrechos com a sua ferramenta Makita especificada neste manual. A utilização de outros acessórios ou apetrechos pode colocar um risco de ferimento às pessoas. Utilize apenas os acessórios ou apetrechos para os fins indicados.
- Se necessitar de qualquer ajuda para mais detalhes em relação a estes acessórios, peça ao seu Centro de Assistência local da Makita.

Há vários tipos de ferramenta de corte:

- Lâmina escarificadora - A ponta afiada de uma lâmina escarifica o solo e corta raízes.
- Lâmina do ancinho (acessório opcional) - Remove a relva e folhas através de agulhas finas.
- Lâmina 2 em 1 (acessório opcional) - Ancinho e escarificação ao mesmo tempo.

OBSERVAÇÃO:

- Alguns artigos nesta lista podem ser incluídos no pacote da ferramenta como acessórios padrão. Podem diferir de país para país.

Só para países Europeus

Declaração de conformidade CE

A Makita declara que a(s) seguinte(s) máquina(s):

Designação da ferramenta:

Arejador de Solo Elétrico

Modelo N.º Tipo: UV3600

em conformidade com as seguintes diretivas europeias:

2000/14/CE alterada pela 2005/88/CE, 2006/42/CE, 2004/108/CE, 2011/65/UE

São fabricadas de acordo com as seguintes normas ou documentos normalizados:

EN60335, EN13684

De acordo com a 2006/42/CE, o ficheiro técnico está disponível em:

Makita, Jan-Baptist Vinkstraat 2, 3070, Bélgica

O procedimento de avaliação da conformidade exigido pela Diretiva 2000/14/CE estava conforme o anexo V.

Nível de potência sonora medido: 99,53 dB (A)

Nível de potência sonora garantido: 104 dB (A)

21.11.2014



Yasushi Fukaya
Diretor

Makita, Jan-Baptist Vinkstraat 2, 3070, Bélgica

ADVARSEL: Denne maskine kan bruges af børn på 8 år og derover og af personer med nedsatte fysiske, sensoriske eller mentale evner eller manglende erfaring eller viden, hvis de er under opsyn eller har modtaget instruktion i sikker anvendelse af maskinen og forstår de farer, der er involveret. Børn må ikke lege med maskinen. Rengøring og brugervedligeholdelse må ikke udføres af børn, der ikke er under opsyn.

DELENES BETEGNELSER (Fig. 1)

- | | | |
|---------------------------|--------------------------|-------------------------|
| 1. Start/stop-arm | 7. Arm | 13. Skæreværktøj |
| 2. Låseknap | 8. Klemme (x2) | 14. Bolt og fjederskive |
| 3. Øverste håndtagsstang | 9. Græsopsamler | 15. Kugleleje |
| 4. Nederste håndtagsstang | 10. Deflektorskærm | 16. Drivaksel |
| 5. Ledningsholder | 11. Knap | |
| 6. Håndtagsklemme | 12. Højdeindstillingsarm | |

TEKNISKE DATA

| | |
|------------------------------------|--|
| Modelnavn | UV3600 |
| Spænding | 230-240 V |
| Frekvens | 50 Hz |
| Nominal mærkeeffekt | 1 800 W |
| Nettovægt | 15,3 kg |
| Ubelastet hastighed | 3 500 min ⁻¹ |
| Maks. skærebredde | 360 mm |
| Arbejdshøjdeområde | 4 trin (-10/-5/0/5 mm) |
| Græsopsamler volumen | 40 L |
| Beskyttelsesklasse | IPX4 |
| Lydtryksniveau | 81,24 dB (A), K= 2,50 dB (A) |
| Lydtryksniveau ved operatørens øre | 85,5 dB (A), K= 2,50 dB (A) |
| Målt lydtryksniveau | 99,53 dB (A), K= 4,50 dB (A) |
| Garanteret lydtryksniveau | 104 dB (A) |
| Vibration | 4,673 m/s ² , K= 1,5 m/s ² |

SYMBOLER

I det følgende vises de symboler, der anvendes for maskinen. Vær sikker på, at du har forstået symbolernes betydning, inden maskinen anvendes.



• Læs brugsanvisningen.



• Vær særlig forsigtig og opmærksom.



• Dobbelt isolation.



- Bær beskytteshandsker.



- Bær kraftige støvler med skridsikre såler.



- Bær beskyttelsesbriller og høreværn.



- Vent til alle maskinens dele er stoppet helt.



- Vær opmærksom på de skarpe skæreværktøjer.



- Sluk for motoren og tag maskinen ud af forbindelse, før der udføres service eller rengøring, eller hvis netledningen er beskadiget.



- Genstande kan blive slynget ud med høj hastighed.



- Hold tilskuere og kæledyr på sikker afstand af arbejdsområdet.



- Udsæt ikke maskinen for regn eller fugt.



- Tag straks stikket ud af kontakten, hvis netledningen er beskadiget eller revnet.



- Risiko for elektrisk stød.



- Hold ledningen væk fra skæreværktøjerne eller hjulene.



- Gælder kun EU-lande
Undlad at bortskaffe elektrisk udstyr sammen med husholdningsaffald!
I henhold til EU-direktiv om bortskaffelse af elektrisk og elektronisk udstyr og iværksættelse af denne i overensstemmelse med nationale love, skal elektrisk udstyr, som er udtjent, indsamles separat og afhændes til en genbrugsfacilitet, som er miljømæssigt kompatibel.

SIKKERHEDSADVARSLER

LÆS OMHYGGELIGT FØR BRUG GEM BRUGSANVISNINGEN TIL SENERE REFERENCE



Begynd ikke at bruge maskinen, før du har læst disse betjeningsinstruktioner. Overhold alle de angivne instruktioner og installér maskinen som beskrevet.

Tilsigtet brug af maskinen

- Denne maskine er beregnet til oprivning og rivning i haver.
- Opriveren er kun beregnet til privat brug og ikke til kommerciel brug. Den må ikke anvendes på offentlige steder.

Til offentlige

lavspændingsforsyninger på mellem 220 V og 250 V.

Når der tændes og slukkes for elektriske apparater, medfører

det spændingsudsving. Anvendelse af dette udstyr under dårlige strømforsyningsforhold kan have negativ indflydelse på anvendelsen af andet udstyr. Ved en strømforsyningsimpedans på eller under 0,412 Ohm vil der sandsynligvis ikke være negative effekter. Den stikkontakt, der benyttes til udstyret, skal være beskyttet med en sikring eller beskyttende kortslutningsafbryder med langsom udløsning.

Generelle instruktioner

- Læs denne brugsanvisning for at gøre dig bekendt med håndteringen af maskinen. Håndtering af maskinen af brugere, som er utilstrækkeligt informeret, vil øge risikoen for brand, elektriske stød eller tilskadekomst af brugeren såvel som andre.
- Udlån ikke maskinen til personer, hvis du ikke har viden om deres personlige erfaring.
- Lad altid brugsanvisningen følge med, hvis du udlåner maskinen.
- Maskinen er ikke beregnet til at bruges af personer med nedsatte fysiske, sensoriske eller mentale evner eller personer med utilstrækkelig erfaring og viden. Børn bør overvåges, så du sikrer dig, at de ikke leger med maskinen.
- Anvend kun maskinen, hvis du er i god fysisk form. Udfør alt arbejde roligt og omhyggeligt. Brugeren

er ansvarlig for alle personers sikkerhed samt for skader omkring arbejdsområdet.

- Brug aldrig denne maskine, hvis du er påvirket af alkohol eller medicin, eller hvis du føler dig træt eller syg.
- Hold en pause, så træthed ikke bliver årsag til tab af kontrol. Vi anbefaler, at du holder en pause på 10 til 20 minutter hver time.
- Brug maskinen i overensstemmelse med disse instruktioner og tag højde for arbejdsforholdene og anvendelsesformålet. Forkert brug af maskinen kan medføre farlige situationer.
- Nationale eller lokale love kan begrænse brugen af maskinen.
- Vær agtpågivende. Koncentrer dig om det, du foretager dig. Brug din sunde fornuft. Betjen ikke maskinen, når du er træt.

Personligt beskyttelsesudstyr

- Vær korrekt påklædt. Det tøj, du har på, skal være funktionelt og formålstjenligt, d.v.s. at det bør være kropsnært, men ikke hæmmende. Undlad at bære smykker eller tøj, der kan vikle sig ind i maskinen. Bær hårnet eller tørklæde, der kan beskytte langt hår.
- Brug altid høreværn for at undgå høreskader.
- Brug beskyttelses- eller sikkerhedsbriller for at beskytte øjnene mod flyvende genstande og affald.

- Brug sikkerhedshandsker for at forhindre, at du kommer til skade med fingrene.
- Brug støvmaske for at nedsætte risikoen for at komme til skade.
- Brug altid solide sko med skridsikre såler, når du bruger maskinen. Dette beskytter mod tilskadekomst og sikrer et godt fodfæste.
- Brug altid solidt fodtøj og lange bukser, når du bruger maskinen. Brug ikke maskinen, hvis du er barfodet eller har åbne sandaler på.

Sikkerhed i arbejdsområdet

- Hold børn og tilskuere, inklusive dyr, på god afstand når maskinen anvendes.
- Forvis dig om, at der ikke er sten, ledninger, glas eller andre fremmedlegemer i arbejdsområdet. Fremmedlegemer kan komme ind i eller blive slynget ud af maskinen med beskadigelse eller tilskadekomst som resultat.
- Brug kun maskinen i god sigtbarhed og i dagslys. Brug ikke maskinen i mørke eller tåge.
- Brug ikke maskinen i eksplosive atmosfærer, f.eks. hvor der findes brændbare væsker, gasser eller støv. Maskinen frembringer gnister, der kan antænde støvet eller gasserne.
- Udsæt ikke maskinen for regn eller våde forhold. Hvis der kommer vand ind i maskinen, kan det øge risikoen for elektrisk stød.

Start af maskinen

- Før du sætter stikket i stikkontakten eller tænder for maskinen:
 - Kontroller stikket og ledningen og bekræft, at de er i god stand.
 - Kontroller at alle skruer, møtrikker og andre fastgøringsmekanismer er ordentligt strammet.
 - Kontroller, at skæreværktøjerne er på plads og i god funktionsstand.
 - Kontroller, at beskyttelseskærme og sikkerhedsanordninger, som f.eks. deflektorer eller græsopsamler, fungerer godt.
 - Kontroller, at luftåbningerne ikke er dækket af støv eller andet fremmedmateriale. Rens dem med en blød børste eller en klud, hvis de er blokerede.
 - Udskift beskadigede eller ulæselige mærkater.
 - Kontroller alle maskinens dele omhyggeligt for at konstatere, om den fungerer ordentligt og udfører den tilsigtede funktion. Specielt må maskinen ikke anvendes, hvis afbryderen ikke fungerer normalt.
 - Sørg for, at afbryderen er slået fra, således at utilsigtet start forhindres.
 - Kontroller, at alle værktøjer for vedligeholdelse, som f.eks. justeringsnøgle eller gaffelnøgle, er fjernet.

- Hvis strømforsyningsledningen er beskadiget, skal du få den udskiftet hos et autoriseret Makita-servicecenter, og der skal altid bruges originale udskiftningsdele.
- Brug aldrig maskinen, hvis en sikkerhedsanordning, som f.eks. deflektorskærm eller græsopsamler, er beskadiget eller mangler.
- Når der tændes for motoren:
 - Hold fødderne borte fra skæreværktøjerne.
 - Vip ikke maskinen.
 - Stå ikke foran udgangsåbningen.
 - Lad aldrig hænderne eller andre kroppsdele eller tøjet komme i nærheden af de bevægende dele.
- Tag straks netstikket ud af stikkontakten, hvis netledningen har lidt skade. En beskadiget ledning kan komme i kontakt med strømførende dele og medføre elektrisk stød.
- Brug aldrig en beskadiget ledning.
- Hold ledningen og forlængerledningen borte fra skæreværktøjerne og hjulene. Skæreværktøjer kan beskadige ledningen og medføre elektrisk stød.
- Når maskinen anvendes udendørs, skal der altid anvendes en strømdrevet afledningskortslutningsafbryder (RCD) med en driftsstrøm på 30 mA eller mindre.

Elektrisk sikkerhed

- Kontroller inden brugen, at stikket på maskinen passer til kontakten.
- Stikket må aldrig modificeres.
- Belast aldrig ledningen. Brug aldrig ledningen til at bære, trække eller tage maskinen ud af forbindelse. Hold ledningen borte fra varme, olie, skarpe kanter eller bevægende dele. Beskadigede eller sammenviklede ledninger øger risikoen for elektrisk stød.
- Kontroller med jævne mellemrum forlængerledningen for beskadigelse af isolationen. Udskift den, hvis den er beskadiget.
- Brug kun forlængerledning til udendørs brug med dryptæt stik. Dens tværsnit skal være mindst 1,5 mm² for kabellængder op til 25 m, and 2,5 mm² for kabellængder over 25 m.
- Maskinen bør kun sluttes til en strømforsyning med den samme spænding som den, der er angivet på fabriksskiltet og kan kun bruges med enkeltfaset AC-forsyning. De er dobbeltisolerede i overensstemmelse med den europæiske standard og kan derfor også anvendes fra kontakter uden jordledning.
- Undgå kroppskontakt med jordede eller jordforbundne flader (f.eks. rør, radiatorer, køleskabe).

Betjening

- Undgå at bruge maskinen på vådt græs. Vær specielt påpasselig, når der arbejdes på vådt græs, for at forhindre at du glider.
- Hold godt fast i håndtaget med begge hænder under arbejdet. Hold håndtaget tørt og rent for at forhindre ulykker.
- Løb ikke. Gå kun under arbejdet.
- Vær særlig opmærksom på dit fodfæste, hvis du arbejder på en skråning.
- Arbejd ikke lige op eller lige ned, når du arbejder på en skråning. Arbejd altid langs en vandret linje.
- Vær særlig forsigtig, når du drejer maskinen på en skråning.
- Arbejd aldrig på en stejl skråning.
- Vær yderst opmærksom, når du bakker eller trækker maskinen mod dig.
- Stræk dig ikke for langt. Bevar til enhver tid et godt fodfæste og en god balance. Det giver bedre kontrol over maskinen i uventede situationer.
- Husk altid:
 - Hold fødderne borte fra skæreværktøjerne.
 - Vip ikke maskinen.
 - Stå ikke foran udgangsåbningen.
 - Lad aldrig hænderne eller andre kropsdele eller tøj komme i nærheden af de bevægende dele.
- Pres ikke maskinen. Den udfører arbejdet bedre og sikrere i det tempo, den er beregnet til. Hyppig overbelastning kan føre til motorskade eller brand.
- Sluk for motoren og tag ledningen ud af forbindelse:
 - Når maskinen efterlades uden opsyn
 - Før du fjerner en blokering eller udbedrer en fejl
 - Før du kontrollerer, rengør eller udfører arbejde på maskinen
 - Før du foretager justeringer, skifter tilbehør eller maskinen anbringes til opbevaring
 - Hvis maskinen rammer et fremmedlegeme. Vent indtil maskinen er kølet ned. Inspicér maskinen og udskift om nødvendigt delene, inden du fortsætter med at arbejde
 - Hvis maskinen begynder at vibrere eller frembringer usædvanlig støj
 - Når du monterer eller afmonterer græsopsamlere
 - Hvis en person kommer ind i dit arbejdsområde
 - Når du krydser en anden overflade end græs
 - Under transport.
- Stop skæreværktøjet:
 - Hvis der er nødvendigt at vippe maskinen
 - Når du krydser en anden overflade end græs

- Transport af maskinen til og fra overflader, hvor der skal arbejdes.
- Vær opmærksom på skæreværktøjerne. De stopper ikke med det samme, efter at maskinen er afbrudt.

Vedligeholdelsesvejledning

- Få maskinen eftersat på vores autoriserede servicecenter, som kun bruger originale reservedele. Forkert reparation og dårlig vedligeholdelse kan forkorte maskinens levetid og øge risikoen for ulykker.
- Inspicér maskinen med jævne mellemrum.
- Udfør følgende indenservicering, inspektion, justering, opbevaring eller ændring af tilbehør:
 - Afbryd strømkilden
 - Tag maskinen ud af strømforbindelse
 - Sørg for at alle bevægelige dele er helt stoppet
 - Lad maskinen køle af.
- Inspicér maskinen for mulig beskadigelse:
 - Om sikkerhedsanordningerne fungerer korrekt til det beregnede formål
 - Om alle bevægelige dele fungerer ubesværet og tilfredsstillende
 - Om alle dele er ubeskadigede og monteret korrekt
 - Kontroller skæreværktøjet for beskadigelse, slitage og ubalance

- Kontroller med jævne mellemrum græsopsamlere for beskadigelse og slitage
- Kontroller, at alle møtrikker, bolte og skruer er stramme
- Få udskiftninger eller reparationer udført på vores servicecenter, hvis der er nogen beskadigede eller udslidte dele.

- Udfør ikke anden vedligeholdelse og reparationsarbejde end det, der er beskrevet i denne brugsanvisning. Alt andet arbejde skal udføres af et autoriseret Makita-servicecenter.
- Anvend kun originale Makita-reservedele og tilbehør, der er beregnet til maskinen. Ellers kan det medføre personskade eller beskadigelse af maskinen.
- Opbevar maskinen i et tørt rum. Hold den uden for børns rækkevidde. Opbevar aldrig maskinen udendørs.

Vibration

- Personer med dårligt blodomløb, som udsættes for ekstrem vibration, kan udsættes for skade på blodårerne eller nervesystemet. Vibration kan give de følgende symptomer i fingrene, hænderne og håndleddene: "Døsighed" (følelsesløshed), snurren, smerter, stikkende fornemmelse, ændring af hudfarve eller af huden. Søg lægehjælp, hvis nogen af disse symptomer forekommer.
- For at reducere risikoen for "hvide fingre sygdom", skal du holde hænderne varme under arbejdet og holde udstyret og tilbehørsdelene i god funktionsstand.

⚠ ADVARSEL:

- Denne maskine frembringer et elektromagnetisk felt under anvendelsen. Det anbefales, at personer med medicinske implantater konsulterer en læge og implantat-fabrikanten, før maskinen tages i brug. Ellers

kan det elektromagnetiske felt påvirke det medicinske implantat og resultere i alvorlig personskade.

SAMLING

⚠ FORSIGTIG:

- Sørg altid for, at maskinen er slukket og taget ud af forbindelse, inden du udfører noget arbejde på maskinen.

Samling af håndtagsstangen (Fig. 2, 3)

- 1) Fastgør den nederste håndtagsstang (4) til maskinen med knapperne (11).
- 2) Anbring den øverste håndtagsstang (3) på den nederste håndtagsstang, og fastgør dem med to afstandsstykker, møtrik og armen (7).
- 3) Fastgør ledningen med klemmerne (8) på håndtagsstangen.

Samling af græsopsamleren

⚠ FORSIGTIG:

- Brug ikke maskinen uden græsopsamleren. I så fald kan udstødte genstande være årsag til tilskadekomst.
- For maskiner med udgang bagtil og synlige bagruller, skal der bruges fuld øjenbeskyttelse, hvis maskinen anvendes uden opsamler.

BEMÆRK:

- Maskinens ydelse nedsættes, når græsopsamleren er fuld. Tøm græsopsamleren med jævne mellemrum, inden den er fyldt helt op.

Montering af græsopsamleren

Træk deflektorskærmen (10) op og hold den. Sæt krogene på græsopsamleren ind i rillerne på maskinen.

Afmontering af græsopsamleren

Træk deflektorskærmen (10) op og hold den. Fjern græsopsamleren ved at frigøre krogene fra rillerne på maskinen.

Ledningsholder (Fig. 4)

Ledningsholderen (5) bidrager til at forhindre, at ledningen bliver viklet ind i klingen eller hjulet.

Lav en lille løkke i enden af netledningen og før den gennem åbningen på ledningsholderen, og hæng den derefter på krogen.

Tag altid ledningens position i betragtning under

arbejdet. Begynd arbejdet fra det nærmeste punkt til strømforsyningen for at forhindre, at ledningen ved et uheld skæres over. Det anbefales, at du holder ledningen over skulderen under arbejdet.

Afmontering og montering af skæreværktøj

⚠ FORSIGTIG:

- Bær beskyttelseshandsker.
- Vær særlig opmærksom, når du håndterer skæreværktøj. Det er meget skarpt og kan blive varmt under anvendelsen.
- Brug altid et passende skæreværktøj i overensstemmelse med arbejdet.
- Sørg inden arbejdet påbegyndes for, at de to bolte, som holder skæreværktøjet på maskinen, er godt strammet. Brug ikke maskinen, hvis bolten er løs eller mangler. Skift den straks ud, hvis den er beskadiget.

Afmontering af skæreværktøj

- 1) Fjern græsopsamleren (9).
- 2) Fjern håndtaget fra maskinen.
- 3) Anbring maskinen på hovedet på en plan overflade.
- 4) Løsn de to bolte (14). Fjern dem og fjederskiverne.
- 5) Løft kugleleje delen på skæreværktøjet (15), og træk derefter skæreværktøjet (13) ud fra drivakslen (16).

Montering af skæreværktøjet

- 1) Isæt skæreværktøjet ved at skyde dets sekskantmøtrikdel ind i muffen på drivakslen.
- 2) Fastgør kugleleje delen til maskinen med boltene og fjederskiverne.

FUNKTIONSBESKRIVELSE

⚠ ADVARSEL:

- Sørg altid for, at der er slukket for maskinen, før den tilsluttes. Hvis maskinen tilsluttes, mens afbryderen er slået til, kan det medføre uventet start med alvorlig tilskadekomst til følge.

- Brug ikke maskinen, hvis netledningen er beskadiget. Dette kan medføre elektrisk stød.
- Brug ikke maskinen, hvis der ikke kan tændes og slukkes med afbryderen. Få defekte afbrydere udskiftet af et autoriseret Makita-servicecenter.

Start/stop-arm

Maskinen startes ved at man trykker på og holder låseknappen (2) inde, og derefter trækker start/stop-armen (1) helt og holder den. Når start/stop-armen først er trukket, er det ikke nødvendigt at holde låseknappen. For at stoppe maskinen, behøver man blot at frigøre start/stop-armen.

Indstilling af håndtagsvinklen

Det er muligt at ændre den øverste håndtagsstangs vinkel.

- 1) Frigør håndtagsklemme (6).
- 2) Justér den øverste håndtagsstangs (3) vinkel.
- 3) Lås håndtagsklemme igen.

Højdeindstilling

Indstil højden af skæreværktøjet, så den passer til græssets tilstand.

Se oversigten herunder angående en tilnærmelsesvis angivelse af dybdeindstillinger.

| Højde | Brug | |
|--------|---|---|
| | Oprivning | Rivning (ekstratilbehør) |
| +5 mm | For transport og opbevaring. Oprivning af en følsom plæne. Afskæring af tynde lag. Den anden oprivning om efteråret. | For transport og opbevaring. Rivning af en normal plæne. |
| 0 mm | Oprivning af en normal plæne. Afskæring af en normal plæne. | Rivning af en grov, tyk plæne. |
| -5 mm | Oprivning af en normal plæne. Afskæring af tykke lag. | Må IKKE bruges til rivearbejde. |
| -10 mm | Oprivning af en grov, tyk plæne. Afskæring af tykke lag. | Må IKKE bruges til rivearbejde. |

Ændring af højden

Tryk højdeindstillingsarmen (12) udad og flyt den til den ønskede stilling.

Overbelastningsbeskyttelse

Denne maskine er udstyret med en overbelastningsbeskyttelse, som fungerer i de følgende situationer:

- Skæreværktøjet bliver tilstoppet, fordi oprevne materialer akkumulerer sig omkring det.
- Maskinen forsøger at oprive mere end motoren kan klare.
- Et eller andet hindrer rotationen af skæreværktøjet.

Når denne beskyttelse er aktiveret, afbrydes maskinen automatisk.

Hvis dette sker, skal du tage maskinen ud af forbindelse, vente til den er kølet af, og derefter eliminere årsagen til overbelastningen, inden du starter maskinen igen.

BETJENING

Tips til anvendelse:

- Slå græsset inden arbejdet påbegyndes og brug gødning efter arbejdet.
- Indstil dybden af skæreværktøjet, så den passer til højden af græsset og vejret.
- Undgå at bruge maskinen på vådt græs. Har tilbøjelighed til at sætte sig fast på udgangsåbningen og andre dele af maskinen. Der kan være risiko for at glide og falde.
- Gå ikke for hurtigt frem. Skub maskinen langsomt frem. Ellers kan udgangsåbningen blive tilstoppet og motoren kan måske blive overbelastet.
- Arbejd langs en så lige linje som muligt.
- Lav oprivningslinjer, der overlapper hinanden en smule. Dette vil give en jævn og plan overflade.
- Hvis et blomsterbed er inkluderet i arbejdsområdet, kan du køre i en cirkel eller to omkring blomsterbedet.
- Vær specielt omhyggelig, når du drejer maskinen.
- Forbliv ikke i én position. Det vil ødelægge græsset.

Tips til oprivning:

- Tag altid vejret i betragtning. Varmt, solrigt og fugtigt vejr egner sig til oprivning, fordi plænen hurtigt restituerer sig igen. Undgå derimod kulde, varme og tørt vejr.
- Opriv plænen om foråret.
- Opriv plænen tidligt om efteråret, hvis sommeren har været fugtig.
- Undgå at oprive i perioder med ekstremt varmt vejr.
- Opriv ikke om efteråret, hvis sommeren har været meget tørt.

Tips til rivning:

- Det er nødvendigt med rigelig luft til området omkring plænenes rødder for at plænen kan gro godt om foråret.
- Det anbefales at udføre luftning på plænen hver 4 – 6 uger alt efter plænenes tilstand.

VEDLIGEHOLDELSE

⚠ FORSIGTIG:

- Sørg altid for, at der er slukket for maskinen og at den er taget ud af forbindelse, før du udfører inspektion og vedligeholdelse.
- Tag beskyttelseshandsker på, før du udfører inspektion og vedligeholdelse.

- Skæredelen stopper ikke med det samme, når der slukkes for maskinen. Vent indtil alle dele er stoppet, inden du udfører noget vedligeholdelsesarbejde.
- Forvis dig om, at alle værktøjer er fjernet efter at vedligeholdelsesarbejdet er afsluttet.
- Anvend aldrig benzin, rensbenzin, fortynder, alkohol og lignende til rengøring. Resultatet kan blive misfarvning, deformation eller revner. Brug kun en fugtig klud og en blød børste til at rengøre maskinen.
- Undgå at rengøre maskinen med en slange eller vand under højtryk.

Vær opmærksom på følgende, når maskinen transporteres:

- Sluk for motoren, tag maskinen ud af forbindelse og vent indtil skæreværktøjet er stoppet.
- Indstil dybden af skæreværktøjet til transporthøjde.
- Transporter altid maskinen ved at holde i dens håndtag.
- Undgå kraftige stød og stærke vibrationer.
- Anbring maskinen forsvarligt i en kasse, hvis den skal transporteres i et køretøj.

Udfør følgende trin efter hver anvendelse:

- Sluk for motoren, tag maskinen ud af forbindelse og vent indtil skæreværktøjet er stoppet.
- Rengør græsopsamleren. Anbring den i et tørt rum.
- Kontroller, rengør og anbring maskinen i et tørt rum.

Udfør følgende arbejde med jævne mellemrum:

- Kontroller, at alle fastgøringsanordninger, som f.eks. skruer, møtrikker etc. er godt strammet.
- Kontroller, om der er defekter, som f.eks. løse, slidte eller beskadigede dele. Skift dem om nødvendigt ud.
- Kontroller, at dækslerne og beskyttelsesskærmene ikke er beskadigede eller deformerede.
- Hvis maskinen begynder at vibrere unormalt under anvendelsen, kan det være forårsaget af et ubalanceret eller deformeret skæreværktøj på grund af stød fra fremmedlegemer. Få skæreværktøjet repareret eller udskiftet af et autoriseret servicecenter, hvis dette sker.
- Skæreværktøjet bliver udtjent i tidens løb. Kontroller med jævne mellemrum tilstanden af skæreværktøjet og dets stabilitet. Skift det ud, hvis det er udslidt eller er blevet sløvt.
- Rengør og smør alle skruedele inden opbevaring.

FELJFINDING

ADVARSEL: Før du løser eventuelle problemer, skal du slukke for maskinen, tage netledningen ud af stikkontakten, og vente til maskinen er helt stoppet.

| Problem | Mulig årsag | Afhjælpning |
|--|---|---|
| Maskinen starter ikke. | Ingen strømforsyning. | Tilslut strømforsyningen. |
| | Netledningen er defekt. | Tag den straks ud af forbindelse. Få dit autoriserede, lokale Makita-servicecenter til at reparere den. |
| | Det elektriske kredsløb er defekt. | Få dit autoriserede, lokale Makita-servicecenter til at reparere den. |
| | Låseknappen er ikke trykket ind. | Tryk på låseknappen og træk start/stop-armen. |
| Der er knasende lyde fra maskinen. | Et fremmedlegeme har viklet sig ind i skæreværktøjet. | Sluk for motoren, tag maskinen ud af forbindelse, og vent indtil skæreværktøjet stopper. Fjern derefter fremmedlegemet. |
| Der er en mærkelig lyd fra maskinen. | Defekt drivrem | Få dit autoriserede, lokale Makita-servicecenter til at reparere den. |
| Maskinen når ikke op på dens maksimale styrke. | Strømkilden har en lavere spænding end påkrævet. | Prøv at anvende en anden strømkilde. Kontroller, om en passende strømkilde anvendes. |
| | Luftåbningerne er tilstoppede. | Rens luftåbningerne. |
| Dårligt resultat. | Græsset er for højt. | Slå græsset inden oprivning. |
| | Skæreværktøjet er udslidt eller beskadiget. | Udskift det. |
| | Oprivningsfladen overstiger maskinens kapacitet. | Opriv kun en overflade, som modsvarer maskinens kapacitet. |
| | Oprivningsdybden er ikke korrekt. | Indstil dybden af skæreværktøjet. |

EKSTRATILBEHØR

⚠ FORSIGTIG:

- Disse tilbehørsdele eller anordninger anbefales til brug med din Makita-maskine, specificeret i denne brugsanvisning. Brug af andre tilbehørsdele eller anordninger kan udgøre en risiko for personskade. Brug kun tilbehørsdele eller anordninger til det formål, de er beregnet til.
- Ret gerne henvendelse til dit lokale Makita-servicecenter, hvis du har brug for flere detaljer angående disse tilbehørsdele.

Der er flere typer skæreværktøjer:

- Oprivningsklinge – Klingens skarpe kant opriver jorden og skærer rødder.
- Riveklinge (ekstratilbehør) – Fjerner græsplænen og blade med fine nåle.
- 2 i 1 klinge (ekstratilbehør) – Rivning og oprivning på samme tid.

BEMÆRK:

- Nogle dele på listen kan være inkluderet i værktøjss pakken som standardtilbehør. De kan være forskellige fra land til land.

Kun for lande i Europa

EF-konformitetserklæring

Makita erklærer at den/de følgende maskine(r):

Maskinens betegnelse:

Elektrisk opriver

Modelnr./-type: UV3600

Overholder følgende europæiske direktiver:

2000/14/EF med tilføjelser 2005/88/EF, 2006/42/EF,
2004/108/EF, 2011/65/EU

De er produceret i overensstemmelse med de følgende
standarder eller standardiserede dokumenter:

EN60335, EN13684

Den tekniske fil i overensstemmelse med 2006/42/EF
kan fås hos:

Makita, Jan-Baptist Vinkstraat 2, 3070, Belgien

Den vurderingsprocedure for overholdelse, der kræves i
direktiv 2000/14/EF, er udført i overensstemmelse med
Bilag V.

Målt lydeffektniveau: 99,53 dB (A)

Garanteret lydeffektniveau: 104 dB (A)

21.11.2014



Yasushi Fukaya
Direktør

Makita, Jan-Baptist Vinkstraat 2, 3070, Belgien

ΠΡΟΕΙΔΟΠΟΙΗΣΗ: Η συσκευή αυτή μπορεί να χρησιμοποιηθεί από παιδιά άνω των 8 ετών και άτομα με μειωμένες σωματικές, αισθητήριες ή διανοητικές ικανότητες ή που δεν έχουν πείρα και γνώσεις, εάν επιτηρούνται ή τους έχουν δοθεί οδηγίες για την ασφαλή χρήση της συσκευής και κατανοούν τους κίνδυνους που εμπλέκονται. Τα παιδιά δεν πρέπει να παίζουν με τη συσκευή. Οι εργασίες καθαρισμού και συντήρησης από το χρήστη δεν θα πρέπει να γίνονται από παιδιά χωρίς επιτήρηση.

ΠΡΟΣΔΙΟΡΙΣΜΟΣ ΜΕΡΩΝ (Εικ. 1)

- | | | |
|--|-------------------------------|------------------------------------|
| 1. Μοχλός έναρξης/διακοπής | 6. Σφιγκτήρας λαβής | 13. Εργαλείο κοπής |
| 2. Κουμπί απασφάλισης | 7. Μοχλός | 14. Μπουλόνι και ελατηριωτή ροδέλα |
| 3. Άνω χειρολαβή | 8. Κλιπ (x2) | 15. Έδρανο |
| 4. Κάτω χειρολαβή | 9. Συγκρατήρας χορταριού | 16. Άξονας κίνησης |
| 5. Σύστημα ανακούφισης καταπόνησης ηλεκτρικού καλωδίου | 10. Προστατευτικό παρεκτροπής | |
| | 11. Λαβή | |
| | 12. Μοχλός ρύθμισης ύψους | |

ΤΕΧΝΙΚΑ ΣΤΟΙΧΕΙΑ

| | |
|---|--|
| Όνομα μοντέλου | UV3600 |
| Τάση | 230-240 V |
| Συχνότητα | 50 Hz |
| Ονομαστική ισχύς εισόδου | 1.800 W |
| Καθαρό βάρος | 15,3 κιλά |
| Ταχύτητα χωρίς φορτίο | 3.500 λεπτό ⁻¹ |
| Μέγιστο πλάτος κοπής | 360 mm |
| Εύρος ύψους εργασίας | 4 βήματα (-10/-5/0/5 mm) |
| Όγκος συγκρατήρα χορταριού | 40 L |
| Τάξη προστασίας | IPX4 |
| Επίπεδο ηχητικής πίεσης | 81,24 dB (A), K= 2,50 dB (A) |
| Επίπεδο ηχητικής πίεσης στο αυτί του χειριστή | 85,5 dB (A), K= 2,50 dB (A) |
| Μετρούμενο επίπεδο ηχητικής ισχύς | 99,53 dB (A), K= 4,50 dB (A) |
| Εγγυημένο επίπεδο ηχητικής ισχύς | 104 dB (A) |
| Κραδασμοί | 4,673 m/s ² , K= 1,5 m/s ² |

ΣΥΜΒΟΛΑ

Παρακάτω παρουσιάζονται τα σύμβολα που χρησιμοποιούνται για το μηχάνημα. Βεβαιωθείτε ότι κατανοείτε τη σημασία τους πριν από τη χρήση.



- Διαβάστε το εγχειρίδιο οδηγιών.



- Απαιτείται ιδιαίτερη φροντίδα και προσοχή.



- Διπλή μόνωση.



• Να φοράτε προστατευτικά γάντια.



• Να φοράτε ανθεκτικές μπότες με αντιολισθητικές σόλες.



• Να φοράτε προστασία ματιών και ωτοασπίδες.



• Περιμένετε μέχρι να σταματήσουν τελείως όλα τα μέρη του μηχανήματος.



• Να προσέχετε τα αιχμηρά εργαλεία κοπής.



• Σβήστε το μοτέρ και αποσυνδέστε το μηχάνημα από το ηλεκτρικό ρεύμα πριν από τις εργασίες καθαρισμού ή συντήρησης ή εάν το ηλεκτρικό καλώδιο έχει υποστεί ζημιά.



• Ενδέχεται να εκτοξευτούν αντικείμενα σε υψηλή ταχύτητα.



• Φροντίστε ώστε οι παρευρισκόμενοι και τα κατοικίδια να βρίσκονται σε απόσταση ασφαλείας από την περιοχή εργασίας.



• Να μην εκθέτετε σε βροχή ή υγρασία.



• Εάν το ηλεκτρικό καλώδιο είναι φθαρμένο ή κομμένο, βγάλτε το φως του ηλεκτρικού καλωδίου από την πρίζα της κεντρικής ηλεκτρικής παροχής.



• Κ ί ν δ υ ν ο ς ηλεκτροπληξίας.



• Διατηρείτε το ηλεκτρικό καλώδιο μακριά από τα εργαλεία κοπής ή τους τροχούς.



• Μόνο για τις χώρες της ΕΕ

Μην απορρίπτετε ηλεκτρικό εξοπλισμό μαζί με τα οικιακά απορρίμματα!

Σύμφωνα με την Ευρωπαϊκή Οδηγία περί απόβλητου ηλεκτρικού και ηλεκτρονικού εξοπλισμού και την ενσωμάτωσή της στην εθνική νομοθεσία, ο ηλεκτρικός εξοπλισμός που έχει φτάσει το τέλος ζωής του πρέπει να συλλέγεται ξεχωριστά και να επιστρέφεται σε εγκαταστάσεις περιβαλλοντικής ανακύκλωσης.

ΠΡΟΕΙΔΟΠΟΙΗΣΕΙΣ ΑΣΦΑΛΕΙΑΣ

ΔΙΑΒΑΣΤΕ ΠΡΟΣΕΚΤΙΚΑ ΠΡΙΝ ΑΠΟ ΤΗ ΧΡΗΣΗ ΦΥΛΑΞΤΕ ΤΟ ΕΓΧΕΙΡΙΔΙΟ ΟΔΗΓΙΩΝ ΓΙΑ ΜΕΛΛΟΝΤΙΚΗ ΑΝΑΦΟΡΑ



Μην θέσετε σε λειτουργία το μηχάνημα μέχρι να διαβάσετε αυτές τις οδηγίες λειτουργίας. Τηρήστε όλες τις οδηγίες που δίνονται και εγκαταστήστε το μηχάνημα, όπως περιγράφεται.

Προοριζόμενη χρήση του μηχανήματος

- Το μηχάνημα αυτό προορίζεται για την εκχέρσωση ή το τσουγκράνισμα σε κήπους.
- Ο εκχερσωτής προορίζεται μόνο για προσωπική χρήση και όχι για εμπορική χρήση. Να μην χρησιμοποιείται ούτε σε δημόσιους χώρους.

Για δημόσια συστήματα διανομής χαμηλής τάσης μεταξύ 220 V και 250 V.

Η εναλλαγή της λειτουργίας των ηλεκτρικών συσκευών προκαλεί διακυμάνσεις ηλεκτρικής τάσης. Η λειτουργία αυτής της συσκευής κάτω από δυσμενείς συνθήκες κεντρικής ηλεκτρικής παροχής μπορεί να επιδράσει αρνητικά στη λειτουργία άλλου εξοπλισμού. Όταν η αντίσταση κεντρικού ηλεκτρικού ρεύματος είναι ίση ή μικρότερη από 0,412 Ω, μπορεί να θεωρηθεί ότι δεν θα υπάρξουν αρνητικές επιδράσεις. Η πριζα της κεντρικής ηλεκτρικής παροχής που θα χρησιμοποιηθεί για αυτήν τη συσκευή θα πρέπει να προστατεύεται με τη χρήση ασφάλειας ή προστατευτικού διακόπτη κυκλώματος με χαρακτηριστικά αργής ενεργοποίησης.

Γενικές οδηγίες

- Διαβάστε αυτό το εγχειρίδιο οδηγιών για να εξοικειωθείτε με το χειρισμό του μηχανήματος. Ο χειρισμός του μηχανήματος από χρήστες με ανεπαρκή πληροφόρηση αυξάνει τον

κίνδυνο πρόκλησης πυρκαγιάς, ηλεκτροπληξίας ή προσωπικού τραυματισμού στο χρήστη ή σε άλλα άτομα.

- Μην δανείτε το μηχάνημα σε άτομα που δεν έχουν αποδεδειγμένη εμπειρία.
- Όταν δανείτε σε κάποιον το μηχάνημα, πάντα να προσαρτάτε αυτό το εγχειρίδιο οδηγιών.
- Το μηχάνημα δεν προορίζεται για χρήση από άτομα με μειωμένες σωματικές, αισθητήριες ή διανοητικές ικανότητες, ή από άτομα που δεν έχουν πείρα και γνώσεις. Τα μικρά παιδιά θα πρέπει να επιβλέπονται προκειμένου να διασφαλιστεί ότι δεν παίζουν με το μηχάνημα.
- Να χειρίζεστε το μηχάνημα μόνο εάν βρίσκεστε σε καλή σωματική κατάσταση. Να διεξάγετε κάθε εργασία με ηρεμία και προσοχή. Ο χρήστης είναι υπεύθυνος για την ασφάλεια των ατόμων που βρίσκονται γύρω από την περιοχή λειτουργίας και για ζημιές σε αυτή την περιοχή.
- Μη χρησιμοποιείτε ποτέ αυτό το μηχάνημα μετά την κατανάλωση αλκοόλ ή φαρμάκων, ή εάν αισθάνεστε κουρασμένοι ή αδιάθετοι.
- Κάντε ένα διάλειμμα για να ξεκουραστείτε για να αποφύγετε την απώλεια ελέγχου που προκαλείται από την κούραση. Συνιστούμε να κάνετε ένα διάλειμμα για ξεκούραση διάρκειας 10 έως 20 λεπτών κάθε ώρα.

- Να χρησιμοποιείτε το μηχάνημα σύμφωνα με αυτές τις οδηγίες, λαμβάνοντας υπόψη τις συνθήκες εργασίας και την εφαρμογή. Η ακούσια χρήση του μηχανήματος μπορεί να προκαλέσει επικίνδυνη κατάσταση.
- Ο χειρισμός του μηχανήματος μπορεί να περιορίζεται από εθνικούς ή τοπικούς κανονισμούς.
- Να είστε σε ετοιμότητα. Να προσέχετε τι κάνετε. Να χρησιμοποιείτε κοινή λογική. Μη χειρίζεστε το μηχάνημα όταν είστε κουρασμένοι.
- Να φοράτε προσωπίδα κατά της σκόνης για τη μείωση του κινδύνου τραυματισμού.
- Όταν χρησιμοποιείτε το μηχάνημα, πάντα να φοράτε ανθεκτικά παπούτσια με αντιολισθητική σόλα. Αυτά προστατεύουν από τραυματισμούς και διασφαλίζουν καλό πάτημα.
- Κατά το χειρισμό του μηχανήματος, να φοράτε πάντα κατάλληλα υποδήματα και μακρύ παντελόνι. Μη χειρίζεστε το μηχάνημα ξυπόλυτοι ή με ανοικτά σαντάλια.

Ασφάλεια στο χώρο εργασίας

Προσωπικός

προστατευτικός εξοπλισμός

- Να ντύνεστε κατάλληλα. Τα ρούχα που φοράτε πρέπει να είναι λειτουργικά και κατάλληλα, δηλ. πρέπει να είναι εφαρμοστά αλλά να μην σας εμποδίζουν. Μην φοράτε κοσμήματα ή ρούχα τα οποία μπορούν να μπλεχτούν στο μηχάνημα. Να φοράτε προστατευτικό κάλυμμα μαλλιών που να κρατάει μαζεμένα τα μακριά μαλλιά.
- Πάντα να φοράτε ωτοασπίδες για την αποφυγή απώλειας της ακοής.
- Να φοράτε προστατευτικά γυαλιά για την προστασία των ματιών από αντικείμενα και θραύσματα που πετάγονται.
- Να φοράτε προστατευτικά γάντια για την αποφυγή τραυματισμού στα δάκτυλα.
- Να απομακρύνετε τα παιδιά και τους μη έχοντες εργασία, συμπεριλαμβανομένων των ζώων, όταν χειρίζεστε το μηχάνημα.
- Ελέγξτε ότι στην περιοχή εργασίας δεν υπάρχουν πέτρες, σύρματα, γυαλί ή άλλα ξένα αντικείμενα. Τα ξένα αντικείμενα μπορεί να πιαστούν ή να εκτοξευτούν από το μηχάνημα, με αποτέλεσμα την πρόκληση ζημιάς ή τραυματισμού.
- Να χειρίζεστε το μηχάνημα μόνο κάτω από συνθήκες καλής ορατότητας και όταν έχει ακόμα φως έξω. Μη χειρίζεστε το μηχάνημα στο σκοτάδι ή όταν υπάρχει ομίχλη.
- Μη χειρίζεστε το μηχάνημα σε εκρηκτικές ατμόσφαιρες, όπως παρουσία εύφλεκτων υγρών,

αερίων ή σκόνης. Το μηχάνημα δημιουργεί σπινθήρες που μπορεί να προκαλέσουν ανάφλεξη της σκόνης ή των ατμών.

- Μην εκθέτετε το μηχάνημα στη βροχή ή σε υγρές συνθήκες. Η είσοδος νερού στο μηχάνημα μπορεί να αυξήσει τον κίνδυνο πρόκλησης ηλεκτροπληξίας.

Εκκίνηση του μηχανήματος

- Πριν τη σύνδεση του φως στην πρίζα ή την ενεργοποίηση του μηχανήματος:

- Ελέγξτε το φως και το ηλεκτρικό καλώδιο για να βεβαιωθείτε ότι βρίσκονται σε καλή κατάσταση.
- Ελέγξτε εάν όλες οι βίδες, τα παξιμάδια και οι άλλες συνδέσεις είναι κατάλληλα ασφαλισμένα.
- Ελέγξτε εάν τα εργαλεία κοπής βρίσκονται στη θέση τους και σε καλή λειτουργική κατάσταση.
- Ελέγξτε ότι τα προστατευτικά και οι διατάξεις ασφάλειας, όπως διατάξεις παρεκτροπής ή συγκρατήρας χορταριού, λειτουργούν σωστά.
- Ελέγξτε ότι τα ανοίγματα εξαερισμού δεν είναι καλυμμένα με σκόνη ή άλλα ξένα υλικά. Καθαρίστε τα με μια μαλακιά βούρτσα ή πανί εάν είναι φραγμένα.
- Αντικαταστήστε τις κατεστραμμένες ή δυσανάγνωστες ετικέτες.

- Ελέγξτε προσεκτικά όλα τα μέρη του μηχανήματος για να καθορίσετε εάν λειτουργεί σωστά και εκτελεί τον προοριζόμενο σκοπό του. Ιδιαίτερα σημαντικό είναι να μην χρησιμοποιείτε ποτέ το μηχάνημα εάν ο διακόπτης δεν λειτουργεί κανονικά.

- Βεβαιωθείτε ότι ο διακόπτης βρίσκεται στην πλευρά απενεργοποίησης για να αποτρέψετε την ακούσια εκκίνηση.

- Ελέγξτε ότι έχουν αφαιρεθεί όλα τα εργαλεία της συντήρησης, όπως ρυθμιζόμενο κλειδί ή γαλλικό κλειδί.

- Εάν το ηλεκτρικό καλώδιο έχει υποστεί ζημιά, ζητήστε από ένα εξουσιοδοτημένο κέντρο σέρβις της Makita να σας το αντικαταστήσει, χρησιμοποιώντας πάντα γνήσια ανταλλακτικά εξαρτήματα.

- Μην χρησιμοποιείτε ποτέ το μηχάνημα εάν μια διάταξη ασφάλειας, όπως προστατευτικό παρεκτροπής ή συγκρατήρας χορταριού, έχει υποστεί ζημιά ή λείπει.

- Κατά την ενεργοποίηση του μοτέρ:

- Διατηρείτε τα πόδια σας μακριά από τα εργαλεία κοπής.

- Μην γέρνετε το μηχάνημα.

- Μην στέκεστε μπροστά από το άνοιγμα εκκένωσης.

- Ποτέ μην τοποθετείτε τα χέρια σας ή άλλο μέρος του σώματος ή ρουχισμό κοντά σε κινούμενα μέρη.

Ηλεκτρική ασφάλεια

- Ελέγξτε ότι το φως συνδετήρα στο μηχανήμα ταιριάζει με την πρίζα, πριν από τη χρήση.
- Μην τροποποιείτε ποτέ το φως συνδετήρα.
- Μην κακομεταχειρίζεστε το ηλεκτρικό καλώδιο. Μη χρησιμοποιείτε ποτέ το ηλεκτρικό καλώδιο για να μεταφέρετε ή να τραβήξετε το μηχανήμα, αλλά ούτε για να βγάλετε το φως του ηλεκτρικού εργαλείου από την πρίζα. Να διατηρείτε το ηλεκτρικό καλώδιο μακριά από τη θερμότητα, τα λάδια, τα αιχμηρά αντικείμενα και τα κινούμενα μέρη. Τα ηλεκτρικά καλώδια που έχουν υποστεί βλάβες και τα μπλεγμένα ηλεκτρικά καλώδια αυξάνουν τον κίνδυνο πρόκλησης ηλεκτροπληξίας.
- Να ελέγχετε τακτικά το καλώδιο επέκτασης (μπαλαντέζα) για φθορές στη μόνωση. Αντικαταστήστε το εάν έχει υποστεί ζημιά.
- Εάν το καλώδιο σύνδεσης έχει υποστεί βλάβη, βγάλτε αμέσως το φως του ηλεκτρικού καλωδίου από την πρίζα της κεντρικής ηλεκτρικής παροχής. Ένα καλώδιο που έχει υποστεί βλάβη μπορεί να προκαλέσει επαφή με ηλεκτροφόρα μέρη και ηλεκτροπληξία.

- Ποτέ μη χρησιμοποιείτε καλώδιο που έχει υποστεί ζημιά.
- Να διατηρείτε το ηλεκτρικό καλώδιο και το καλώδιο επέκτασης (μπαλαντέζα) μακριά από εργαλεία κοπής και τροχούς. Τα εργαλεία κοπής μπορεί να προκαλέσουν ζημιά στο ηλεκτρικό καλώδιο και να προκληθεί ηλεκτροπληξία.
- Όταν χρησιμοποιείτε το μηχανήμα σε εξωτερικό χώρο, πάντα να χρησιμοποιείτε ασφάλεια κυκλώματος που λειτουργεί με παραμένον ηλεκτρικό ρεύμα, με λειτουργικό ηλεκτρικό ρεύμα που δεν υπερβαίνει τα 30 mA.
- Να χρησιμοποιείτε μόνο καλώδιο επέκτασης (μπαλαντέζα) για εξωτερική χρήση με σύνδεση κατά των παφλασμών. Η διατομή του πρέπει να είναι τουλάχιστον 1,5 mm² για μήκη καλωδίων έως 25 m, και 2,5 mm² για μήκη καλωδίων πάνω από 25 m.
- Το μηχανήμα πρέπει να συνδέεται μόνο σε ηλεκτρική παροχή της ίδιας τάσης με αυτή που αναγράφεται στην πινακίδα ονομαστικών τιμών και μπορεί να λειτουργήσει μόνο με εναλλασσόμενο μονοφασικό ρεύμα. Τα εργαλεία αυτά διαθέτουν διπλή μόνωση που συμμορφώνεται με τα ευρωπαϊκά πρότυπα και συνεπώς μπορούν να συνδεθούν με πρίζες χωρίς γείωση.
- Αποφεύγετε την επαφή του σώματος με γειωμένες επιφάνειες, (π.χ. σωλήνες, καλοριφέρ, φούρνους και ψυγεία).

Λειτουργία

- Αποφεύγετε τη λειτουργία σε βρεγμένο γκαζόν. Να προσέχετε ιδιαίτερα όταν εργάζεστε σε βρεγμένο γκαζόν για την αποφυγή ολίσθησης.
- Να κρατάτε καλά τη λαβή και με τα δύο χέρια κατά τη λειτουργία. Να κρατάτε τη λαβή στεγνή και καθαρή για την αποφυγή ατυχημάτων.
- Μην τρέχετε. Κατά τη διάρκεια της λειτουργίας να περπατάτε μόνο.
- Προσέχετε ιδιαίτερα το πάτημά σας όταν εργάζεστε σε έδαφος με κλίση.
- Μην εργάζεστε ευθεία προς τα επάνω ή ευθεία προς τα κάτω σε έδαφος με κλίση. Να εργάζεστε πάντα κατά μήκος μιας οριζόντιας γραμμής.
- Να είστε ιδιαίτερα προσεκτικοί όταν εκτελείτε στροφή του μηχανήματος σε έδαφος με κλίση.
- Μην εργάζεστε ποτέ σε έδαφος με απότομη κλίση.
- Να είστε ιδιαίτερα προσεκτικοί όταν κινήστε προς τα πίσω ή τραβάτε το μηχάνημα προς το μέρος σας.
- Μην τεντώνετε υπερβολικά. Να στέκεστε πάντοτε σταθερά και ισοροπημένα. Έτσι, θα έχετε καλύτερο έλεγχο του μηχανήματος σε απρόσμενες καταστάσεις.
- Να θυμάστε πάντα:
 - Διατηρείτε τα πόδια σας μακριά από τα εργαλεία κοπής.
 - Μην γέρνετε το μηχάνημα.
 - Μην στέκεστε μπροστά από το άνοιγμα εκκένωσης.
 - Ποτέ μην τοποθετείτε τα χέρια σας ή άλλο μέρος του σώματος ή ρουχισμό κοντά σε κινούμενα μέρη.
- Μην ασκείτε δύναμη στο μηχάνημα. Το μηχάνημα θα πραγματοποιήσει την εργασία καλύτερα και ασφαλέστερα στο ρυθμό για τον οποίο προορίζεται. Η συχνή υπερφόρτωση μπορεί να προκαλέσει ζημιά στο μοτέρ ή πυρκαγιά.
- Σβήστε το μοτέρ και αποσυνδέστε το μηχάνημα από το ηλεκτρικό ρεύμα:
 - Κάθε φορά που αφήνετε το μηχάνημα χωρίς επιτήρηση
 - Πριν καθαρίσετε ένα εμπόδιο ή τυχόν βλάβη
 - Πριν ελέγξετε, καθαρίσετε το μηχάνημα ή εκτελέσετε εργασίες σε αυτό
 - Πριν πραγματοποιήσετε τυχόν ρυθμίσεις, αλλάξετε εξαρτήματα ή αποθηκεύσετε το μηχάνημα
 - Όταν το μηχάνημα χτυπήσει ένα ξένο αντικείμενο. Περιμένετε μέχρι να κρυώσει το μηχάνημα. Επιθεωρήστε το μηχάνημα και αντικαταστήστε τα εξαρτήματα, εάν απαιτείται, πριν συνεχίσετε τη λειτουργία

- Όποτε το μηχάνημα αρχίσει να δονείται ή να κάνει ασυνήθιστο θόρυβο
- Όταν συνδέετε ή αφαιρείτε το συγκρατήρα χορταριού
- Όταν κάποιος εισέλθει στην περιοχή εργασίας σας
- Όταν διασχίζετε μια επιφάνεια εκτός από γκαζόν
- Κατά τη μεταφορά.
- Σταματήστε το εργαλείο κοπής:
 - Εάν πρέπει να γείρετε το μηχάνημα
 - Όταν διασχίζετε επιφάνειες εκτός από γκαζόν
 - Όταν μεταφέρετε το μηχάνημα προς και από επιφάνειες εργασίας.
- Να προσέχετε τα εργαλεία κοπής. Δεν σταματούν αμέσως μετά την απενεργοποίηση.

Οδηγίες συντήρησης

- Φροντίστε για το σέρβις του μηχανήματός σας από εξουσιοδοτημένο κέντρο σέρβις, χρησιμοποιώντας πάντα μόνο γνήσια ανταλλακτικά εξαρτήματα. Η λανθασμένη επισκευή και η κακή συντήρηση μπορεί να μειώσουν τη διάρκεια ζωής του μηχανήματος και να αυξήσουν τον κίνδυνο ατυχημάτων.
- Να επιθεωρείτε το μηχάνημα σε τακτική βάση.
- Πριν από το σέρβις, την επιθεώρηση, τη ρύθμιση, την αποθήκευση ή την αλλαγή ενός εξαρτήματος, εκτελέστε τα ακόλουθα βήματα:
 - Απενεργοποιήστε την πηγή τροφοδοσίας
 - Αποσυνδέστε το μηχάνημα από την ηλεκτρική τροφοδοσία
 - Βεβαιωθείτε ότι όλα τα κινούμενα μέρη έχουν ακινητοποιηθεί πλήρως
 - Αφήστε το μηχάνημα να κρυώσει.
- Επιθεωρήστε το μηχάνημα για τυχόν ζημιά:
 - Εάν οι διατάξεις ασφαλείας λειτουργούν σωστά για την προοριζόμενη λειτουργία τους
 - Εάν όλα τα κινούμενα μέρη λειτουργούν ομαλά και επαρκώς
 - Εάν όλα τα μέρη δεν έχουν υποστεί ζημιά και είναι σωστά τοποθετημένα
 - Ελέγξτε το εργαλείο κοπής για τυχόν ζημιά, φθορά ή ανισορροπία
 - Να ελέγχετε το συγκρατήρα χορταριού τακτικά για τυχόν ζημιά ή φθορά
 - Ελέγξτε εάν όλα τα παξιμάδια, τα μπουλόνια και οι βίδες είναι σφικτά
 - Εκτελέστε αντικατάσταση ή επισκευή στο εξουσιοδοτημένο κέντρο σέρβις εάν υπάρχουν τυχόν μέρη που έχουν υποστεί ζημιά ή φθορά.
- Μην εκτελείτε εργασίες συντήρησης ή επισκευής διαφορετικές από αυτές που περιγράφονται στο παρόν

εγχειρίδιο οδηγιών. Οποιοσδήποτε άλλες εργασίες πρέπει να εκτελούνται από εξουσιοδοτημένο κέντρο σέρβις της Makita.

- Να χρησιμοποιείτε μόνο γνήσια ανταλλακτικά και εξαρτήματα της Makita που προορίζονται για το μηχάνημά σας. Διαφορετικά ενδέχεται να προκληθεί προσωπικός τραυματισμός ή ζημιά στο μηχάνημα.
- Αποθηκεύστε το μηχάνημα σε στεγνό δωμάτιο. Φυλάξτε το μακριά από παιδιά. Μην αποθηκεύετε ποτέ το μηχάνημα σε εξωτερικό χώρο.

Κραδασμοί

- Όταν άτομα με κακή κυκλοφορία αίματος εκτίθενται σε υπερβολικούς κραδασμούς, μπορεί να προκληθεί τραυματισμός στα αιμοφόρα αγγεία ή στο νευρικό σύστημα. Οι κραδασμοί ενδέχεται να προκαλέσουν τα ακόλουθα συμπτώματα στα δάκτυλα, τα χέρια ή τους καρπούς: «Καίμισμα» (μούδιασμα), μυρμήγκιασμα, πόνο, σουβλιές, αλλαγή χρώματος ή υφής του δέρματος. Εάν προκύψει οποιοδήποτε από αυτά τα συμπτώματα, επισκεφτείτε γιατρό.
- Για να μειώσετε τον κίνδυνο του «συνδρόμου λευκού δακτύλου», να διατηρείτε τα χέρια σας ζεστά κατά τη λειτουργία και να συντηρείτε σωστά τον εξοπλισμό και τα εξαρτήματα.

⚠ ΠΡΟΕΙΔΟΠΟΙΗΣΗ:

- Το μηχάνημα αυτό παράγει ένα ηλεκτρομαγνητικό πεδίο κατά τη διάρκεια της λειτουργίας. Συνιστάται τα άτομα με ιατρικά εμφυτεύματα να συμβουλευτούν τους γιατρούς τους και τους κατασκευαστές του εμφυτεύματος πριν τη χρήση του μηχανήματος. Διαφορετικά το ηλεκτρομαγνητικό πεδίο μπορεί να επηρεάσει τα ιατρικά εμφυτεύματα και να έχει ως αποτέλεσμα την πρόκληση σοβαρού τραυματισμού.

⚠ ΠΡΟΣΟΧΗ:

- Να βεβαιώνεστε πάντοτε ότι το μηχάνημα είναι σβηστό και αποσυνδεδεμένο από το ηλεκτρικό ρεύμα πριν εκτελέσετε οποιαδήποτε εργασία στο εργαλείο.

Συναρμολόγηση της χειρολαβής (Εικ. 2, 3)

- 1) Στερεώστε την κάτω χειρολαβή (4) στο μηχάνημα με τις λαβές (11).
- 2) Τοποθετήστε την άνω χειρολαβή (3) επάνω στην κάτω χειρολαβή και μετά στερεώστε τις με τους δύο αποστάτες, το παζμάδι και το μοχλό (7).
- 3) Στερεώστε το ηλεκτρικό καλώδιο με τα κλιπ (8) επάνω στην χειρολαβή.

Συναρμολόγηση του συγκρατήρα χορταριού

⚠ ΠΡΟΣΟΧΗ:

- Μη θέτετε το μηχάνημα σε λειτουργία χωρίς το συγκρατήρα χορταριού. Διαφορετικά τα εκτοξευόμενα αντικείμενα μπορεί να προκαλέσουν τραυματισμό.
- Όταν οι συσκευές πίσω εκκένωσης με εκτεθειμένους τους πίσω κυλίνδρους χρησιμοποιούνται χωρίς συγκρατήρα, πρέπει να φοράτε πλήρη προστασία ματιών.

ΠΑΡΑΤΗΡΗΣΗ:

- Η απόδοση του μηχανήματος μειώνεται όταν ο συγκρατήρας χορταριού είναι γεμάτος. Να αδειάζετε τον συγκρατήρα χορταριού σε τακτική βάση πριν γεμίσει πλήρως.

Τοποθέτηση του συγκρατήρα χορταριού

Τραβήξτε προς τα επάνω το προστατευτικό παρεκτροπής (10) και κρατήστε το. Εισαγάγετε άγκιστρα στον συγκρατήρα χορταριού μέσα στην εγκοπές στο μηχάνημα.

Αφαίρεση του συγκρατήρα χορταριού

Τραβήξτε προς τα επάνω το προστατευτικό παρεκτροπής (10) και κρατήστε το. Αφαιρέστε τον συγκρατήρα χορταριού απελευθερώνοντας τα άγκιστρα από τις εγκοπές στο μηχάνημα.

Σύστημα ανακούφισης καταπόνησης ηλεκτρικού καλωδίου (Εικ. 4)

Το σύστημα ανακούφισης καταπόνησης ηλεκτρικού καλωδίου (5) βοηθάει να μην μπλεχτεί το ηλεκτρικό καλώδιο στη λεπίδα ή στον τροχό.

Πραγματοποιήστε ένα μικρό βρόχο στο άκρο του ηλεκτρικού καλωδίου κεντρικής παροχής και περάστε το στο άνοιγμα του συστήματος ανακούφισης καταπόνησης ηλεκτρικού καλωδίου, και μετά κρεμάστε το στο άγκιστρο.

Να λαμβάνετε πάντα υπόψη τη θέση του ηλεκτρικού καλωδίου κατά τη λειτουργία. Θέστε σε λειτουργία το μηχάνημα από το πιο κοντινό σημείο της ηλεκτρικής τροφοδοσίας για να αποφευχθεί το τυχαίο κόψιμο του ηλεκτρικού καλωδίου. Συνιστάται να διατηρείτε το ηλεκτρικό καλώδιο επάνω από τον ώμο σας κατά τη διάρκεια της λειτουργίας.

Αφαίρεση ή τοποθέτηση εργαλείου κοπής

⚠ ΠΡΟΣΟΧΗ:

- Να φοράτε προστατευτικά γάντια.
- Να προσέχετε ιδιαίτερα κατά το χειρισμό εργαλείων κοπής. Είναι πολύ αιχμηρά και ενδέχεται να θερμανθούν πολύ κατά τη διάρκεια της λειτουργίας.
- Να χρησιμοποιείτε πάντα κατάλληλο εργαλείο κοπής σύμφωνα με τις εργασίες σας.
- Πριν τη λειτουργία, βεβαιωθείτε ότι τα δύο μπουλόνια, τα οποία συγκρατούν το εργαλείο κοπής στο μηχάνημα, είναι καλά σφιγμένα. Μη χρησιμοποιείτε το μηχάνημα εάν το μπουλόνι είναι χαλαρό ή λείπει. Αν έχει υποστεί ζημιά, αντικαταστήστε το αμέσως.

Αφαίρεση του εργαλείου κοπής

- 1) Αφαιρέστε τον συγκρατήρα χορταριού (9).
- 2) Αφαιρέστε τη λαβή από το μηχάνημα.
- 3) Τοποθετήστε το μηχάνημα ανάποδα σε μια επίπεδη επιφάνεια.
- 4) Χαλαρώστε τα δύο μπουλόνια (14). Αφαιρέστε αυτά και τις ελατηριωτές ροδέλες.
- 5) Ανυψώστε το τμήμα εδράνου του εργαλείου κοπής (15), και μετά τραβήξτε το εργαλείο κοπής (13) έξω από τον άξονα κίνησης (16).

Τοποθέτηση του εργαλείου κοπής

- 1) Εισαγάγετε το εργαλείο κοπής ολισθαίνοντας το τμήμα του εξαγωγικού παξιμαδιού μέσα στην υποδοχή του άξονα κίνησης.
- 2) Στερεώστε το τμήμα εδράνου στο μηχάνημα με τα μπουλόνια και τις ελατηριωτές ροδέλες.

⚠ ΠΡΟΕΙΔΟΠΟΙΗΣΗ:

- Πριν συνδέετε το μηχάνημα στο ηλεκτρικό ρεύμα, να βεβαιώνεστε πάντα ότι είναι σβηστό. Η σύνδεση του μηχανήματος στο ηλεκτρικό ρεύμα με αναμμένο το διακόπτη μπορεί να προκαλέσει αναπάντεχη εκκίνηση με αποτέλεσμα την πρόκληση σοβαρού προσωπικού τραυματισμού.
- Μην χρησιμοποιείτε ποτέ το μηχάνημα εάν το ηλεκτρικό καλώδιο είναι κατεστραμμένο. Διαφορετικά, μπορεί να προκληθεί ηλεκτροπληξία.
- Μη χρησιμοποιείτε το μηχάνημα εάν ο διακόπτης δεν το ενεργοποιεί και δεν το απενεργοποιεί. Στείλετε το μηχάνημα σε εξουσιοδοτημένο κέντρο σέρβις της Makita για να επισκευάσει ελαττωματικούς διακόπτες.

Μοχλός έναρξης/διακοπής

Για να ξεκινήσετε το μηχάνημα, πατήστε παρατεταμένα το κουμπί απασφάλισης (2) και μετά τραβήξτε πλήρως το μοχλό έναρξης/διακοπής (1) και κρατήστε το. Όταν τραβήξετε το μοχλό έναρξης/διακοπής, δεν χρειάζεται να κρατάτε το κουμπί απασφάλισης.

Για να σταματήσετε το μηχάνημα, απλώς απελευθερώστε το μοχλό έναρξης/διακοπής.

Ρύθμιση γωνίας λαβής

Μπορείτε να αλλάξετε τη γωνία της άνω χειρολαβής.

- 1) Απασφαλίστε τους σφιγκτήρες της λαβής (6).
- 2) Ρυθμίστε τη γωνία της άνω χειρολαβής (3).
- 3) Ασφαλίστε ξανά τους σφιγκτήρες λαβής.

Ρύθμιση ύψους

Ανάλογα με την κατάσταση του γκαζόν, ρυθμίστε το ύψος του εργαλείου κοπής.

Ανατρέξτε στον παρακάτω πίνακα ως πρόχειρη ένδειξη για ρυθμίσεις βάθους.

| Ύψος | Χρήση | |
|--------|--|--|
| | Εκχέρωση | Τσουγκράνισμα (προαιρετικό εξάρτημα) |
| +5 mm | Για μεταφορά και αποθήκευση. Εκχέρωση ευαίσθητου γκαζόν. Ξήλωμα λεπτών στρώσεων. Τη δεύτερη λειτουργία εκχέρωσης το φθινόπωρο. | Για μεταφορά και αποθήκευση. Τσουγκράνισμα κανονικού γκαζόν. |
| 0 mm | Εκχέρωση κανονικού γκαζόν. Ξήλωμα κανονικών στρώσεων. | Τσουγκράνισμα σκληρού και πυκνού γκαζόν. |
| -5 mm | Εκχέρωση κανονικού γκαζόν. Ξήλωμα πυκνών στρώσεων. | Να ΜΗΝ χρησιμοποιείται για τη λειτουργία τσουγκράνισματος. |
| -10 mm | Εκχέρωση σκληρού και πυκνού γκαζόν. Ξήλωμα πυκνών στρώσεων. | Να ΜΗΝ χρησιμοποιείται για τη λειτουργία τσουγκράνισματος. |

Αλλαγή του ύψους

Πιέστε το μοχλό ρύθμισης ύψους (12) προς τα έξω και μετακινήστε το στην επιθυμητή θέση.

Προστασία υπερφόρτωσης

Το μηχάνημα αυτό είναι εξοπλισμένο με προστασία υπερφόρτωσης, η οποία λειτουργεί κάτω από τις ακόλουθες συνθήκες:

- Το εργαλείο κοπής έχει φράξει επειδή υλικό εκχέρωσης έχει συσσωρευτεί γύρω από αυτό.
- Το μηχάνημα προσπαθεί να εκτελέσει εκχέρωση σε μεγαλύτερο βαθμό από αυτό που μπορεί να χειριστεί το μοτέρ.
- Κάτι εμποδίζει την περιστροφή του εργαλείου κοπής.

Όταν τεθεί σε λειτουργία η προστασία, το μηχάνημα απενεργοποιείται αυτόματα.

Εάν συμβεί αυτό, απουσιάστε το μηχάνημα από το ηλεκτρικό ρεύμα, περιμένετε μέχρι να κρυώσει και αφαιρέστε την αιτία της υπερφόρτωσης πριν επανεκκινήσετε το μηχάνημα.

ΛΕΙΤΟΥΡΓΙΑ

Συμβουλές λειτουργίας:

- Κουρέψτε το γκαζόν σας πριν από την εκτέλεση της εργασίας και λιπάνετε το μετά από αυτή.
- Ρυθμίστε το βάθος του εργαλείου κοπής σύμφωνα με το ύψος του γκαζόν και τον καιρό.
- Αποφεύγετε το χειρισμό σε βρεγμένο γκαζόν. Τείνει να κολλάει στη θύρα εκκένωσης και σε άλλα μέρη του μηχανήματος. Επίσης μπορεί να προκαλέσει ολίσθηση και πτώση.
- Μην κινείστε πολύ γρήγορα. Να στρώχνετε αργά το μηχάνημα. Διαφορετικά η θύρα εκκένωσης μπορεί να φράξει και το μοτέρ μπορεί να υπερφορτωθεί.
- Να χειρίζεστε το μηχάνημα κατά μήκος μιας γραμμής η οποία είναι όσο το δυνατό πιο ευθεία.
- Να πραγματοποιείτε ελαφρώς επικαλυπτόμενες γραμμές εκχέρωσης. Θα διατηρήσει μια ομοιόμορφη και ομαλή επιφάνεια.

- Όταν περιλαμβάνεται ένα παρτέρι λουλουδιών στην περιοχή λειτουργίας, πραγματοποιήστε έναν ή δύο κύκλους γύρω από το παρτέρι λουλουδιών.
- Να είστε ιδιαίτερα προσεκτικοί όταν εκτελείτε στροφή του μηχανήματος.
- Μην μένετε σε μία θέση. Θα προκληθεί ζημιά στο γκαζόν.

Συμβουλές για εκχέρωση:

- Πάντα να λαμβάνετε υπόψη τον καιρό. Ο ζεστός, ηλιόλουστος και υγρός καιρός είναι καλός για εκχέρωση επειδή το γκαζόν μπορεί να επανέλθει πιο υγιές. Απ' την άλλη, αποφύγετε το κρύο, το ζεστό και το ξηρό καιρό.
- Να εκτελείτε εκχέρωση του γκαζόν κατά τη διάρκεια της άνοιξης.
- Εάν το καλοκαίρι είναι υγρό, να κάνετε εκχέρωση του γκαζόν νωρίς το φθινόπωρο.
- Να αποφεύγετε την εκχέρωση κατά την περίοδο εξαιρετικά ζεστού καιρού.
- Εάν το καλοκαίρι είναι πολύ ξηρό, μην εκτελέσετε εκχέρωση του γκαζόν το φθινόπωρο.

Συμβουλές για τσουγκράνισμα:

- Απαιτείται μεγάλη ποσότητα αέρα για την περιοχή γύρω από τις ρίζες του γκαζόν για τη διατήρηση υγιούς ανάπτυξης την άνοιξη.
- Συνιστάται η εκτέλεση εργασίας αερισμού στο γκαζόν κάθε 4 έως 6 εβδομάδες σύμφωνα με την κατάσταση του γκαζόν.

ΣΥΝΤΗΡΗΣΗ

⚠ ΠΡΟΣΟΧΗ:

- Να βεβαιώνετε πάντοτε ότι το μηχάνημα είναι σβηστό και αποσυνδεδεμένο από το ηλεκτρικό ρεύμα πριν εκτελέσετε εργασίες επιθεώρησης ή συντήρησης.
- Να φοράτε προστατευτικά γάντια πριν εκτελέσετε εργασίες επιθεώρησης ή συντήρησης.
- Ο κόπτης δεν σταματάει αμέσως μετά την απενεργοποίηση. Περιμένετε μέχρι να σταματήσουν όλα τα μέρη πριν την εκτέλεση εργασιών συντήρησης.
- Βεβαιωθείτε ότι έχετε αφαιρέσει όλα τα εργαλεία μετά τις εργασίες συντήρησης.
- Μην χρησιμοποιείτε ποτέ βενζίνη, πετρελαϊκό αιθέρα, διαλυτικό, αλκοόλη ή παρόμοιες ουσίες για τον καθαρισμό. Ενδέχεται να προκληθεί αποχρωματισμός, παραμόρφωση ή ρωγμές. Για

να καθαρίσετε το μηχάνημα, χρησιμοποιήστε μόνο ένα υγρό πανί και μια μαλακή βούρτσα.

• Μην καθαρίζετε το μηχάνημα με λάστιχο νερού ή νερό υψηλής πίεσης.

Κατά τη μεταφορά του μηχανήματος, προσέξτε τα ακόλουθα σημεία:

- Απενεργοποιήστε το μοτέρ, αποσυνδέστε το μηχάνημα από το ηλεκτρικό ρεύμα και περιμένετε μέχρι να σταματήσει το εργαλείο κοπής.
- Ρυθμίστε το βάθος του εργαλείου κοπής στο ύψος μεταφοράς.
- Να μεταφέρετε πάντα το μηχάνημα από τη λαβή του.
- Αποφύγετε τις μεγάλες κρούσεις ή τους ισχυρούς κραδασμούς.
- Ασφαλίστε σταθερά το μηχάνημα σε περίπτωση που φορτωθεί σε όχημα.

Εκτελέστε τα ακόλουθα βήματα μετά από κάθε λειτουργία:

- Απενεργοποιήστε το μοτέρ, αποσυνδέστε το μηχάνημα από το ηλεκτρικό ρεύμα και περιμένετε μέχρι να σταματήσει το εργαλείο κοπής.

- Καθαρίστε το συγκρατήρα χορταριού. Αποθηκεύστε το σε στεγνό δωμάτιο.
- Ελέγξτε, καθαρίστε και αποθηκεύστε το μηχάνημα σε στεγνό δωμάτιο.

Να εκτελείτε τις ακόλουθες εργασίες σε τακτική βάση:

- Ελέγξτε εάν όλοι οι σφιγκτήρες, όπως βίδες, παξιμάδια κτλ., είναι σφικτά ασφαλισμένοι.
- Ελέγξτε για ελαττώματα όπως χαλαρά, φθαρμένα ή κατεστραμμένα μέρη. Αντικαταστήστε τα εάν απαιτείται.
- Ελέγξτε ότι τα καλύμματα και τα προστατευτικά δεν έχουν υποστεί ζημιά ή παραμόρφωση.
- Εάν το μηχάνημα αρχίσει να δονείται μη φυσιολογικά κατά τη διάρκεια της λειτουργίας, αυτό μπορεί να έχει προκληθεί από μη ζυγοσταθμισμένο ή παραμορφωμένο εργαλείο κοπής λόγω κρούσεων με ξένα αντικείμενα. Εάν συμβεί αυτό, φροντίστε για την επισκευάση ή αντικατάσταση του εργαλείου κοπής σε εξουσιοδοτημένο κέντρο σέρβις.
- Το εργαλείο κοπής έχει φθαρεί με το πέρασμα του χρόνου. Να ελέγχετε την κατάσταση του εργαλείου κοπής και τη σταθερότητά του σε τακτική βάση. Αντικαταστήστε το εάν έχει φθαρεί ή έχει γίνει αμβλύ.
- Καθαρίστε και λιπάνετε όλα τα βιδωτά μέρη πριν την αποθήκευση.

ΑΝΤΙΜΕΤΩΠΙΣΗ ΠΡΟΒΛΗΜΑΤΩΝ

ΠΡΟΕΙΔΟΠΟΙΗΣΗ: Πριν από την επίλυση προβλημάτων, σβήστε το μηχάνημα, βγάλτε το φως του ηλεκτρικού καλωδίου από την πρίζα της κεντρικής ηλεκτρικής παροχής και περιμένετε μέχρι το μηχάνημα να σταματήσει τελείως.

| Πρόβλημα | Πιθανή αιτία | Επίλυση |
|---|--|---|
| Το μηχάνημα δεν ενεργοποιείται. | Το φως του ηλεκτρικού καλωδίου τροφοδοσίας δεν είναι στην πρίζα. | Συνδέστε το στην ηλεκτρική τροφοδοσία. |
| | Ελάττωμα του ηλεκτρικού καλωδίου. | Βγάλτε αμέσως το φως του ηλεκτρικού καλωδίου από την πρίζα. Ζητήστε από το τοπικό σας εξουσιοδοτημένο κέντρο σέρβις της Makita να το επισκευάσει. |
| | Ελάττωμα του ηλεκτρικού κυκλώματος. | Ζητήστε από το τοπικό σας εξουσιοδοτημένο κέντρο σέρβις της Makita να το επισκευάσει. |
| Ακούγονται ήχοι τριξίματος από το μηχάνημα. | Το κουμπί απασφάλισης δεν είναι πατημένο. | Πατήστε το κουμπί απασφάλισης και τραβήξτε το μοχλό έναρξης/διακοπής. |
| | Έχει μπλεχτεί ξένη ύλη στο εργαλείο κοπής. | Απενεργοποιήστε το μοτέρ, αποσυνδέστε το μηχάνημα από το ηλεκτρικό ρεύμα και περιμένετε μέχρι να σταματήσει το εργαλείο κοπής. Μετά αφαιρέστε την ξένη ύλη. |
| Ακούγεται ένας περίεργος θόρυβος από το μηχάνημα. | Ελάττωμα του ιμάντα κίνησης. | Ζητήστε από το τοπικό σας εξουσιοδοτημένο κέντρο σέρβις της Makita να το επισκευάσει. |
| Το μηχάνημα δεν φτάνει τη μέγιστη ισχύ του. | Η παροχή ρεύματος έχει πιο χαμηλή τάση από ότι απαιτείται. | Δοκιμάστε μια άλλη παροχή ρεύματος. Ελέγξτε εάν χρησιμοποιείτε κατάλληλη παροχή ρεύματος. |
| | Τα ανοίγματα εξαερισμού είναι φραγμένα. | Καθαρίστε τα ανοίγματα εξαερισμού. |
| Κακό αποτέλεσμα. | Το χορτάρι είναι πολύ ψηλό. | Κουρέψτε το γκαζόν πριν την εκχέρωση. |
| | Το εργαλείο κοπής είναι φθαρμένο ή έχει υποστεί ζημιά. | Αντικαταστήστε το. |
| | Η επιφάνεια εκχέρωσης υπερβαίνει τη δυνατότητα του μηχανήματος. | Να εκτελείτε εκχέρωση μόνο επιφάνειας η οποία συμφωνεί με τη δυνατότητα του μηχανήματος. |
| | Το βάθος εκχέρωσης δεν είναι σωστό. | Ρυθμίστε το βάθος του εργαλείου κοπής. |

⚠ ΠΡΟΣΟΧΗ:

- Αυτά τα εξαρτήματα ή προσαρτήματα συνιστώνται για χρήση με το εργαλείο της Makita που καθορίζεται στο εγχειρίδιο αυτό. Η χρήση οποιωνδήποτε άλλων εξαρτημάτων ή προσαρτημάτων μπορεί να δημιουργήσει κίνδυνο τραυματισμού ατόμων. Να χρησιμοποιείτε τα εξαρτήματα ή προσαρτήματα μόνο για το σκοπό που προορίζονται.
- Εάν χρειάζεστε βοήθεια για περισσότερες πληροφορίες που αφορούν στα εξαρτήματα αυτά, απευθυνθείτε στο τοπικό σας κέντρο σέρβις της Makita.

Υπάρχουν αρκετοί τύποι εργαλείου κοπής:

- Λεπίδα εκχέρσωσης - Το κοφτερό άκρο της λεπίδας εκτελεί εκχέρσωση του εδάφους και κόβει ρίζες.
- Λεπίδα τσουγκρανίσματος (προαιρετικό εξάρτημα)
- Αφαίρεση του γκαζόν και των φύλλων με λεπτές βελόνες.
- Λεπίδα 2 σε 1 (προαιρετικό εξάρτημα) - Τσουγκράνισμα και εκχέρσωση ταυτόχρονα.

ΑΝΑΚ ΙΝΩΣΗ:

- Μερικά στοιχεία λίστα μπορεί να συμπεριλαμβάνονται στη συσκευασία εργαλείου ως στάνταρ εξαρτήματα. Μπορεί να διαφέρουν ανάλογα με τη χώρα.

Μόνο για χώρες της Ευρώπης

Δήλωση Συμμόρφωσης ΕΚ

Η Makita δηλώνει ότι το(α) ακόλουθο(α) μηχάνημα(τα):

Χαρακτηρισμός μηχανήματος:

Ηλεκτρικός εκχερσωτής

Αρ. μοντέλου/ Τύπος: UV3600

συμμορφώνεται με τις ακόλουθες Ευρωπαϊκές Οδηγίες:

2000/14/ΕΚ τροποποιημένη από τις 2005/88/ΕΚ, 2006/42/ΕΚ, 2004/108/ΕΚ, 2011/65/ΕΕ

Κατασκευάζονται σύμφωνα με τα ακόλουθα πρότυπα ή έγγραφα τυποποίησης:

EN60335, EN13684

Το αρχείο τεχνικών στοιχείων, σύμφωνα με την Οδηγία 2006/42/ΕΚ, διατίθεται από:

Makita, Jan-Baptist Vinkstraat 2, 3070, Belgium (Βέλγιο)

Η διαδικασία αξιολόγησης συμμόρφωσης που απαιτείται σύμφωνα με την Οδηγία 2000/14/ΕΚ ήταν σε συμφωνία με το παράρτημα V.

Μετρούμενο επίπεδο ηχητικής ισχύος: 99,53 dB (A)

Εγγυημένο επίπεδο ηχητικής ισχύος: 104 dB (A)

21.11.2014



Yasushi Fukaya

Διευθυντής

Makita, Jan-Baptist Vinkstraat 2, 3070, Belgium (Βέλγιο)

UYARI: Bu aletin 8 yaş ve üzeri çocuklar ile fiziksel, duyuşsal ya da zihinsel yetenekleri kısıtlı olan veya deneyim ya da bilgileri olmayan kişiler tarafından kullanılması, ancak gözetim altında olmaları veya kendilerine aletin güvenli bir şekilde kullanılmasına yönelik talimatlar verilmesi ve bu aletin kullanımına ilişkin tehlikeleri anlamaları halinde mümkündür. Çocuklar aletle oynamamalıdır. Temizlik ve kullanıcı bakımları gözetimsiz olarak çocuklar tarafından yapılmamalıdır.

PARÇA ADLARI (Şek. 1)

- | | | |
|-------------------------------|-------------------------|-------------------------|
| 1. Başlatma/durdurma kolu | 7. Kol | 13. Kesici aleti |
| 2. Güvenlik kilidi düğmesi | 8. Klips (x2) | 14. Cıvata ve yaylı pul |
| 3. Üst tutamak çubuğu | 9. Çim sepeti | 15. Rulman |
| 4. Alt tutamak çubuğu | 10. Sıçrama siperi | 16. Tahrik mili |
| 5. Kablo gerilimi azaltma | 11. Düğme | |
| 6. Tutamak sıkıştırma elemanı | 12. Yükseklik ayar kolu | |

TEKNİK VERİLER

| | |
|--|--|
| Model adı | UV3600 |
| Voltaj | 230-240 V |
| Frekans | 50 Hz |
| Anma giriş gücü | 1.800 W |
| Net ağırlık | 15,3 kg |
| Yüksüz hız | 3.500 dak ⁻¹ |
| Maksimum kesim derinliği | 360 mm |
| Çalışma yüksekliği aralığı | 4 kademe (-10/-5/0/5 mm) |
| Çim sepeti hacmi | 40 L |
| Emniyet sınıfı | IPX4 |
| Ses basıncı düzeyi | 81,24 dB (A), K= 2,50 dB (A) |
| Operatörün kulak seviyesindeki ses basınç düzeyi | 85,5 dB (A), K= 2,50 dB (A) |
| Ölçülen ses güç seviyesi | 99,53 dB (A), K= 4,50 dB (A) |
| Beklenen ses güç seviyesi | 104 dB (A) |
| Titreşim | 4,673 m/sn ² , K= 1,5 m/sn ² |

SEMBOLLER

Aşağıda makine için kullanılan semboller gösterilmektedir. Kullanmadan önce manalarını anladığınızdan emin olunuz.



• El kitabını okuyun.



• Çok dikkatli kullanın.



• Çift yalıtımlı.



• Koruyucu eldiven takın.



• Altı kaymayan sağlam ayakkabılar giyin.



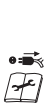
•Koruyucu gözlük ve kulaklık takın.



•Makine parçaları tamamen durana kadar bekleyin.



•Keskin kesici aletlere dikkat edin.



•Temizleme veya bakımdan önce veya güç kablosu hasarlıysa motoru kapatın ve fişten çekin.



•Nesneler yüksek hızda sıçrayabilir.



•Çevredeki insanlar ve hayvanlar ile çalışma alanı arasında güvenli bir mesafe bulundurun.



•Yağmura veya neme maruz bırakmayın.



•Bağlantı kablosu hasar görür veya kesilirse, fişi hemen prizden çekin.



•Elektrik çarpması riski vardır.



•Kordonu kesim aletlerinden veya çarklardan uzak tutun.



•Sadece AB ülkeleri için Elektrik donanımını evsel atıklarla birlikte bertaraf etmeyiniz!

Atık Elektrik ve Elektronik Donanım hakkındaki Avrupa Direktifi ve ulusal yasalarda bu Direktifin uygulanmasına yönelik düzenlemeler uyarınca, kullanım ömrü dolan elektrik donanımı ayrı olarak toplanıp tekrar kullanılmak üzere çevreye uyumlu bir yeniden işleme tesisine gönderilmelidir.

GÜVENLİK UYARILARI

KULLANMADAN ÖNCE DİKKATLİCE OKUYUN BU KULLANIM KILAVUZUNU İLERİDE BAŞVURMAK ÜZERE SAKLAYIN



Bu kullanım talimatlarını okumadan makineyi kullanmaya başlamayın. Verilen tüm talimatlara uyun ve makineyi açıklandığı şekilde monte edin.

Makinenin amaçlanan kullanımı

- Bu makine bahçelerde çimi kazmak ve tırmıklamak için tasarlanmıştır.
- Çim havalandırma aleti sadece kişisel kullanım içindir, ticari kullanıma uygun değildir. Kamuya açık alanlarda da kullanılmamalıdır.

220 V ila 250 V arası alçak gerilimli elektrik dağıtım şebekesi için öngörülmüştür.

Elektrikli aleti açıp kapatma gerilimin dalgalanmasına yol açar. Elektrik tesisatı koşullarının yetersiz olduğu durumlarda aletin çalıştırılması, diğer aletlerin çalışmasını olumsuz etkileyebilir. Elektrik direncinin 0,412 Ohm'a eşit veya bu değer altında olduğu durumlarda olumsuz bir etkinin yaşanmayacağı varsayılabilir. Aletin takılacağı elektrik prizinin yüksek tolerans özelliklerine sahip bir sigortayla korunması veya bir koruyucu devre kesiciyle donatılmış olması gerekir.

Genel Talimatlar

- Makinenin kullanımı hakkında bilgi sahibi olmak için bu kullanım kılavuzunu okuyun. Makinenin yeterli bilgiye sahip olmayan kullanıcılar tarafından kullanılması yangın, elektrik çarpması veya hem kendilerinin hem de başkalarının yaralanması riskini artırır.
- Makineyi deneyimli olduğundan emin olmadığınız kişilere ödünç vermeyin.
- Makineyi ödünç verirken, kullanım kılavuzunu mutlaka verin.
- Makine fiziksel, duysal ya da zihinsel yetenekleri kısıtlı olan veya deneyim ya da bilgileri olmayan kişiler tarafından kullanıma uygun

değildir. Küçük çocuklar, makineyle oynamamaları için gözetilmelidir.

- Sadece fiziksel durumunuz iyiye kullanın. İşin sakın ve dikkatli bir şekilde yapın. Çalışma alanının çevresinde bulunan tüm kişilerin güvenliğinden ve oluşabilecek zararlardan kullanıcı sorumludur.
- Alkol veya ilaç aldıktan sonra ya da yorgun veya hasta hissettiğinizde bu makineyi asla kullanmayın.
- Yorgunluk nedeniyle kontrol kaybı oluşmasını önlemek için dinlenin. Her saat için 10 ila 20 dakikalık bir mola vermenizi öneririz.
- Makineyi bu talimatlara uygun olarak, çalışma koşulları ve uygulamayı göz önünde bulundurarak kullanın. Makinenin amacı dışında kullanılması tehlikeli durumlara sebep olabilir.
- Ulusal veya yerel düzenlemeler makinenin kullanımına sınırlandırmalar getirebilir.
- Aleti kullanırken tetikte olun. Ne yaptığınıza dikkat edin. Sağduyunuzu kullanın. Yorgunken makineyi kullanmayın.

Kişisel koruyucu ekipman

- İşe Uygun Giyinin. Giyilen kıyafet işlevsel ve uygun olmalı, yani çalışmanıza engel teşkil etmeyecek ölçüde dar olmalıdır. Makineye takılabilecek

aksesuarlar ya da bol giysiler kullanmayın. Saçınız uzunsa saç kapatacak bir koruyucu örtü takın.

- İşitme kaybını önlemek için daima koruyucu kulaklık takın.
- Sıçrayabilecek nesnelere ve parçacıklardan gözlerinizi korumak için koruyucu gözlük takın.
- Parmakların yaralanmasını önlemek için koruyucu eldiven takın.
- Yaralanma riskini azaltmak için toz maskesi takın.
- Makineyi kullanırken, altı kaymayan sağlam ayakkabılar giyin. Bu, yaralanmaları önler ve sağlam basmanızı sağlar.
- Makineyi kullanırken daima uygun bir ayakkabı ve uzun pantolon giyin. Makineyi çıplak ayakla ya da açık sandaletlerle kullanmayın.

Çalışma alanı güvenliği

- Makineyi kullanırken çocukları, etraftaki kişileri ve de hayvanları uzak tutun.
- Taş, kablo, cam ya da diğer yabancı nesnelere olmadığını doğrulamak için çalışma alanını kontrol edin. Yabancı nesnelere makineye takılabilir veya makine tarafından fırlatılabilir ve bu durum hasar ya da yaralanmalara yol açabilir.
- Makineyi sadece aydınlık bir ortamda ve gün ışığında kullanın. Makineyi karanlıkta ya da sisli hava koşullarında kullanmayın.

- Makineyi çabuk tutuşan sıvıların, gazların ya da tozların bulunduğu yerler gibi patlayıcı ortamlarda çalıştırmayın. Makine tozları ya da dumanları tutuşturabilecek kıvılcımlar çıkarır.
- Makineyi yağmura ve ıslak koşullara maruz bırakmayın. Makinenin içine su girmesi elektrik çarpması riskini artırır.

Makinenin başlatılması

- Fişi takmadan veya makineyi açmadan önce:
 - Fişi ve kabloyu kontrol edin ve iyi durumda olduklarını doğrulayın.
 - Vida, somun ve diğer tespit elemanlarının yerlerinde sıkı biçimde durup durmadığını kontrol edin.
 - Kesici aletlerin takılı olup olmadıklarını ve çalışıp çalışmadıklarını kontrol edin.
 - Sıçrama siperi veya çim sepeti gibi tüm siperlerin ve güvenlik cihazlarının düzgün çalışıp çalışmadığını kontrol edin.
 - Havalandırma delikleri toz ya da başka yabancı malzemelerle tıkanıp tıkanmadığını kontrol edin. Tıkanmışlarsa yumuşak bir fırça ya da bezle temizleyin.
 - Hasargörmüş ve okunmayan etiketleri yenileyin.
 - Makinenin tüm parçalarının düzgün çalışıp çalışmadığını ve kullanım amacını yerine

- getirip getirmediğini kontrol edin. Özellikle düğmenin normal çalışmaması durumunda makineyi kesinlikle kullanmayın.
- İstem dışı çalışmayı önlemek için düğmenin kapalı konumda olduğundan emin olun.
 - Ayar anahtarı ya da İngiliz anahtarı gibi bakımaletlerinin kaldırılıp kaldırılmadığını kontrol edin.
- Güç kaynağı kablosu hasar görmüşse, Makita yetkili servis merkezinden isteyin, daima orijinal yedek parçalarla değişim yapın.
 - Sıçrama siperi veya çim sepeti gibi güvenlik cihazları hasarlı ya da eksikse makineyi asla kullanmayın.
 - Motoru çalıştırırken:
 - Ayaklarınızı kesici aletlerden uzak tutun.
 - Makineyi eğmeyin.
 - Boşaltma ağzının önünde durmayın.
 - Ellerinizi, bedeninizin diğer kısımlarının veya giysinizin hareketli parçalara çok yaklaşmasına asla izin vermeyin.

Elektrik güvenliği

- Kullanmadan önce makinenin bağlantı fişinin prize uyduğundan emin olun.
- Bağlantı fişini asla değiştirmeyin.
- Kordonu kötü kullanmayın. Makineyi taşımak, çekmek ya da fişten çekmek için asla kordonunu kullanmayın. Kordonu ısıdan, yağdan, keskin kenarlardan ya da hareketli parçalardan uzak tutun. Hasar görmüş ya da dolaşık kordonlar elektrik şoku riskini artırır.
- Uzatma kablosunun yalıtımında hasar olup olmadığını düzenli olarak kontrol edin. Hasar görmüşse yenisiyle değiştirin.
- Bağlantı kablosu hasar görmüşse, hemen fişten çekin. Hasar görmüş kablo akımlı kısımlarla temas edilmesine ve elektrik çarpmasına neden olabilir.
- Hasar görmüş kabloları asla kullanmayın.
- Kordonu ve uzatma kablosunu kesici aletlerden ve çarklardan uzak tutun. Kesici aletler kabloya zarar verebilir ve elektrik çarpmasına neden olabilir.
- Makineyi dışarıda kullanırken, daima 30 mA veya daha düşük bir sınır değere sahip bir kaçak akım rölesi (RCD) kullanın.
- Sadece sıçrama korumalı konektöre sahip dışarıda kullanım için uygun uzatma kablosu kullanın. 25 m'ye kadar olan kablolar için kablo kesiti en az 1,5 mm², 25 m'den uzun kablolar için kablo kesiti 2,5 mm² olmalıdır.
- Makinenin, yalnızca isim levhasında belirtilenle aynı voltajlı güç kaynağına bağlanması

gerekir ve yalnızca tek fazlı AC güç kaynağıyla çalıştırılabilir. Avrupa standartlarına uygun olarak çifte yalıtımlıdır ve topraklamasız prizlerle de kullanılabilir.

- Topraklama yapılan yüzeylere (örn. borular, radyatörler, kuzineler ve buzdolapları) vücut temasından kaçının.

İşleyiş

- Makineyi ıslak çim üzerinde kullanmayın. Islak çim üzerinde kullanırken kaymayı önlemek için çok dikkatli olun.
- İşlem sırasında, tutamağı iki elinizle sıkıca tutun. Kazaları önlemek için tutamağı kuru ve temiz tutun.
- Koşmayın. İşlem sırasında sadece yürüyün.
- Eğimli yerlerde adımlarınıza özellikle dikkat edin.
- Yokuş yukarı veya yokuş aşağı yerlerde çalışmayın. Daima yatay bir çizgi üzerinde çalışın.
- Özellikle makineyi eğimli yerlerde döndürürken dikkatli olun.
- Dik eğimli bölgelerde asla çalışmayın.
- Geri geri giderken ya da makineyi kendinize doğru çekerken çok dikkatli olun.
- Fazla ileriye uzanmaya çalışmayın. Her zaman yere sağlam basın ve dengenizi koruyun. Bu beklenmedik durumlarda makineyi daha iyi kontrol etmenizi sağlar.

- Şunları daima aklınızda tutun:
 - Ayaklarınızı kesim aletlerinden uzak tutun.
 - Makineyi eğmeyin.
 - Boşaltma ağzının önünde durmayın.
 - Ellerinizi, bedeninizin diğer kısımlarının veya giysinizin hareketli parçalara çok yaklaşmasına asla izin vermeyin.
- Makineyi zorlamayın. Tasarlandığı hızda kullanılması işin daha iyi ve daha güvenli yapılmasını sağlar. Sık sık aşırı yüklenme yapılması motorun hasar görmesine ve yangın çıkmasına neden olabilir.
- Şunları yapmadan önce motoru kapatıp fişi çekin:
 - Makineyi gözetimsiz olarak bırakırken
 - Tıkanmaları temizlemeden ya da arızaları gidermeden önce
 - Kontrol etmeden, temizlemeden ve makine üzerinde çalışmadan önce
 - Herhangi bir ayarlama yapmadan, aksesuar değiştirmeden ya da aleti saklamadan önce
 - Makine yabancı bir cisme çarparsa. Makine soğuyana kadar bekleyin. Makineyi inceleyin ve çalışmaya devam etmeden önce değiştirilmesi gereken parça varsa değiştirin
 - Makine titremeye ya da tuhaf sesler çıkarmaya başlarsa

- Çim sepetinin takılması ve çıkarılması
- Çalışma alanınıza birisi girerse
- Çim dışındaki yüzeylerden geçerken
- Nakliye sırasında.
- Şu durumlarda kesici aleti durdurun:
 - Makineyi eğmeniz gerekirse
 - Çim dışındaki yüzeylerden geçerken
 - Makineyi kullanılacak alana ya da kullanılan alandan dışarı taşırken.
- Kesici aletlere dikkat edin. Makine kapatıldıktan sonra hemen durmazlar.

Bakım talimatları

- Makinenizin tamirini yetkili servis merkezimizde yaptırın ve daima orijinal yedek parçalar kullanın. Hatalı tamir işlemleri ya da yetersiz bakım makinenin ömrünü kısaltabilir ve kaza riskini artırabilir.
- Makineyi düzenli aralıklarla denetleyin.
- Tamir, kontrol, ayarlama, saklama veya aksesuar değişimi yapmadan önce, aşağıdakileri yapın:
 - Güç kaynağını kapatın
 - Makinenin güç kaynağıyla olan bağlantısını kesin
 - Bütün hareketli parçaların tam olarak durduğundan emin olun
 - Makineyi soğumaya bırakın.

- Makinede hasar olup olmadığını kontrol edin:
 - Güvenlik aygıtlarının amaçlanan işlevlerini doğru bir şekilde yerine getirip getirmediğini kontrol edin
 - Hareketli parçaların tamamının düzgün ve gerektiği şekilde çalışıp çalışmadığını kontrol edin
 - Tüm parçaların hasarsız olup olmadığını ve düzgün bir şekilde takılıp takılmadıklarını kontrol edin
 - Kesici alette herhangi bir hasar, aşınma veya dengesizlik olup olmadığını kontrol edin
 - Çim sepetinde herhangi bir hasar veya aşınma olup olmadığını düzenli bir şekilde kontrol edin
 - Tüm somun, civata ve vidaların sıkı olup olmadığını kontrol edin
 - Aşınmış veya hasar görmüş parçalar varsa yetkili servis merkezimize başvurarak tamir ettirin veya yenisiyle değiştirin.
- Bu kullanım kılavuzunda açıklananın dışında bir bakım veya tamir işlemi gerçekleştirmeyin. Diğer tüm işlemler Makita yetkili servis merkezinde gerçekleştirilmelidir.
- Sadece makineniz için tasarlanmış orijinal Makita yedek parça ve aksesuarları kullanın. Aksitakdirde kişisel yaralanmalar

veya makine üzerinde hasar meydana gelebilir.

- Makineyi kuru bir yerde saklayın. Çocukların ulaşamayacağı yerlerde saklayın. Makineyi dışarıda saklamayın.

Titreşim

- Dolaşım sistemi zayıf olan kişiler aşırı titreşime maruz kaldıklarında kan damarları veya sinir sisteminde hasar oluşabilir. Titreşim parmaklar, eller ve bileklerde aşağıdaki semptomların ortaya çıkmasına neden olabilir: "Karıncalanma" (uyuşma), iğnelenme, ağrı, batma hissi, cilt renginde veya yapısında değişiklik. Bu semptomlardan biri ortaya çıkarsa, bir doktora görünün.
- "Beyaz parmak hastalığı" riskini azaltmak için, çalışma sırasında ellerinizi sıcak tutun ve ekipman ve aksesuarların bakımını iyi yapın.

⚠️ UYARI:

- Makine çalışma sırasında elektromanyetik bir alan üretir. Tıbbi implantı olan kişilerin bu makineyi kullanmadan önce doktorlarına ve implant üreticilerine danışmaları tavsiye olunur. Aksi takdirde elektromanyetik alan tıbbi implantları etkileyip ciddi yaralanmalara sebep olabilir.

MONTAJ

⚠️ DİKKAT:

- Makine üzerinde herhangi bir iş yapmadan önce aletin kapalı ve fişinin çekili olduğundan daima emin olun.

Tutamak çubuğunun montajı (Şek. 2, 3)

- 1) Alt tutamak çubuğunu (4) düğmeler (11) ile makineye bağlayın.
- 2) Üst tutamak çubuğunu (3) alt tutamak çubuğunun üzerine yerleştirin ve ardından bu ikisini iki pul, somun ve kolu (7) kullanarak birbirine bağlayın.
- 3) Kordonu klipslerle (8) tutamak çubuğuna bağlayın.

Çim sepetinin montajı

⚠️ DİKKAT:

- Makineyi çim sepeti olmadan çalıştırmayın. Aksi takdirde çıkan nesne yaralanmaya sebep olabilir.
- Arka silindirler açık bir şekilde arkadan tahliye yapılan uygulamalarda, sepetsiz kullanıldığında, tam göz koruması takılmalıdır.

NOT:

- Çim sepeti dolu olduğunda makinenin performansı azalır. Çim sepetinin tamamen dolmasına izin vermeden düzenli aralıklarla boşaltın.

Çim sepetinin takılması

Sıçrama siperi (10) yukarı kaldırın ve tutun. Çim sepetinin kancalarını makinenin üzerindeki oluklara geçirin.

Çim sepetinin çıkarılması

Sıçrama siperi (10) yukarı kaldırın ve tutun. Kancaları makinenin üzerindeki oluklardan çıkararak çim sepetini çıkarın.

Kablo gerilimi azaltma (Şek. 4)

Kablo gerilimi azaltma (5) kordonun bıçağa ya da çarka dolaşmasını önlemeye yardımcı olur.

Ana kablunun ucunda küçük bir halka yapın ve kablo gerilimi azaltma açıklığından geçirin ve ardından kancaya asın.

Çalışma sırasında kordonun konumunu daima göz önünde bulundurun. Kordonun yanlışlıkla kesilmesini önlemek için çalışmaya güç kaynağına en yakın noktadan başlayın. Çalışma sırasında kordonu omzunuzun üstünde tutmanız tavsiye edilir.

Kesici aletin çıkarılması veya takılması

⚠️ DİKKAT:

- Koruyucu eldiven takın.
- Kesici aleti kullanırken çok dikkatli olun. Çok keskindir ve kullanım sırasında ısınabilir.
- Daima çalışmanıza uygun kesici aleti kullanın.
- Çalışmadan önce, kesici aleti makineye bağlayan iki civatanın iyice sıkıldığından emin olun. Civata gevşekse ya da yoksa makineyi kullanmayın. Hasar görmüşse hemen yenisiyle değiştirin.

Kesici aletin çıkarılması

- 1) Çim sepetini (9) çıkarın.
- 2) Tutamağı makineden ayırın.
- 3) Makineyi baş aşağı şekilde düz bir yüzeye yerleştirin.
- 4) İki civatayı (14) gevşetin. Civataları ve yaylı pulları çıkarın.
- 5) Kesici aletin rulman (15) parçasını kaldırın ve ardından kesici aleti (13) tahrik milinden (16) çekip çıkarın.

Kesici aletin montajı

- 1) Altıgen somun parçasını tahrik milinin soketinin içine kaydırarak kesici aleti takın.
- 2) Rulman parçasını makineye civata ve yaylı pullar ile monte edin.

İŞLEVSEL AÇIKLAMALAR

⚠ UYARI:

- Aleti fişe takmadan önce, makinenin kapalı olduğundan mutlaka emin olun. Çalıştırma anahtarı açıkken makine fişe takılırsa makinenin beklenmedik şekilde çalışmaya başlaması ciddi kişisel yaralanmalara neden olabilir.
- Kablosu hasar görmüş bir aleti hiçbir zaman kullanmayın. Aksi takdirde elektrik çarptırabilir.
- Anahtar makineyi açıp kapamıyorsa makineyi kullanmayın. Arızalı anahtarları Makita yetkili servis merkezinde değiştirin.

Başlatma/durdurma kolu

Makineyi başlatmak için, güvenlik kilidi düğmesine (2) basın ve düğmeyi basılı tutun ve ardından başlatma/durdurma kolunu (1) tam olarak çekin ve tutun. Başlatma/durdurma kolunu bir kez çektiğinizde, güvenlik kilidi düğmesini basılı tutmanıza gerek yoktur. Makineyi durdurmak için, başlatma/durdurma kolunu bırakmanız yeterlidir.

Tutamak açısı ayarı

Üst tutamak çubuğunun açısını değiştirebilirsiniz.

- 1) Tutamağın sıkıştırma elemanlarını (6) açın.
- 2) Üst tutamak çubuğunun (3) açısını ayarlayın.
- 3) Tutamağın sıkıştırma elemanlarını yeniden sıkılayın.

Yükseklik ayarı

Çimin durumuna bağlı olarak, kesici aletin yüksekliğini ayarlayın.

Derinlik ayarlarının kabaca bir göstergesi için aşağıdaki tabloya başvurun.

| Yükseklik | Kullanım | |
|-----------|---|---|
| | Kazma | Tırmıklama (İsteğe bağlı aksesuar) |
| +5 mm | Nakliye ve saklama için. Hassas çimlerin kazılması. Kalın tabakaların havalandırılması. Sonbahardaki ikinci kazma işlemi. | Nakliye ve saklama için. Normal çimlerin tırmıklanması. |
| 0 mm | Normal çimlerin kazılması. Normal tabakaların havalandırılması. | Kaba kalın çimlerin tırmıklanması. |
| -5 mm | Normal çimlerin kazılması. Kalın tabakaların havalandırılması. | Tırmıklama işlemi için KULLANMAYIN. |
| -10 mm | Kaba kalın çimlerin kazılması. Kalın tabakaların havalandırılması. | Tırmıklama işlemi için KULLANMAYIN. |

Yüksekliğin değiştirilmesi

Yükseklik ayar kolunu (12) dışarı doğru itin ve istediğiniz konuma getirin.

Aşırı yük koruması

Makine aşırı yük koruması ile donatılmıştır ve aşağıdaki durumlarda faaliyete geçer:

- Kazılan malzemeler etrafında biriktiği için kesici aletin tıkanıdığı durumlarda.
- Makine, motorun kapasitesinin yeteceğinden daha fazla bir miktarı kazmaya çalıştığında.
- Bir şey kesici aletin dönüşünü engellediğinde.

Bu koruma çalıştığında, makine otomatik olarak kapanır.

Bu durumda, makinenin fişini çekin, makine soğuyana kadar bekleyin ve makineyi yeniden başlatmadan önce aşırı yüklenmeye neden olan şeyi ortadan kaldırın.

KULLANIM

İşleyişe Dair İpuçları:

- İşlemden önce çimleri kesin, işlemden sonra gübreleyin.
- Kesici aletin yüksekliğini çimin yüksekliğine ve havaya bağlı olarak ayarlayın.
- Makineyi ıslak çim üzerinde kullanmayın. Aksi takdirde boşaltma ağızına ve makinenin diğer kısımlarına yapışabilir. Kaymaya ve düşmeye de neden olabilir.
- Çok hızlı hareket etmeyin. Makineyi yavaşça itin. Aksi takdirde boşaltma ağızı tıkanabilir ve motor aşırı yüklenebilir.
- Mümkün olduğunca düzgün şeritler halinde çalışın.
- Bir şerit boyunca kazarken bir önceki şeridin bir kısmının hafifçe üstünden geçin. Böylece daha dengeli ve düzgün bir yüzey elde edilir.
- Çalışma alanında bir çiçek tarhi varsa, çiçek tarhının etrafından bir veya iki kez daire şeklinde geçin.
- Özellikle makineyi döndürürken dikkatli olun.
- Bir yerde uzun süre durmayın. Çime zarar verir.

Kazma işlemine ilişkin ipuçları:

- Havayı daima dikkate alın. Kazmak için ılık, güneşli ve nemli havalar idealdir, çünkü çim sağlıklı bir şekilde iyileşir. Soğuk, sıcak ve kuru havalardan ise sakınmanız gerekir.
- Çimleri bahar mevsiminde kazın.
- Yazlar yağışlı geçiyorsa, çimleri sonbaharın erken zamanlarında kazın.
- Aşırı derecede sıcak havalarda kazmaktan sakının.
- Yazlar çok kurak geçiyorsa, sonbaharda kazmayın.

Tırmıklama işlemine ilişkin ipuçları:

- Çimin köklerinin çevresindeki alanın oldukça iyi havalandırılması ilkbahar mevsiminde sağlıklı bir gelişmenin sağlanması için gereklidir.
- Çimin durumuna bağlı olarak 4 ila 6 haftada bir havalandırma işlemi yapılması tavsiye edilir.

BAKIM

⚠ DİKKAT:

- Muayene ya da bakım yapmadan önce makinenin kapalı ve fişinin çekili olduğundan daima emin olun.
- Kontrol veya bakım işlemi yapmadan önce koruyucu eldiven giyin.
- Makine kapatıldıktan sonra kesici hemen durmaz. Herhangi bir bakım işlemi yapmadan önce tüm parçaların durmasını bekleyin.
- Bakım işleminden sonra bütün aletlerin toplandığından emin olun.
- Benzin, tiner, alkol ve benzeri maddeleri temizlik için kesinlikle kullanmayın. Renk değişimi, deformasyon veya çatlaklar oluşabilir. Makineyi temizlemek için, sadece nemli bez ve yumuşak fırça kullanın.
- Makineyi yüksek basınçlı suyla yıkamayın ve temizlemeyin.

Makineyi taşıırken, aşağıdaki noktalara dikkat edin:

- Motoru kapatın, fişten çekin ve kesim aleti durana kadar bekleyin.
- Kesim aletinin derinliğini nakliye yüksekliğine göre ayarlayın.
- Makineyi daima tutacağından tutarak taşıyın.
- Ağır darbelerden ve şiddetli titreşimlerden kaçının.

- Makine araçla taşınacaksa sıkı bir şekilde sabitleyin.

Her kullanımdan sonra aşağıdaki adımları gerçekleştirin:

- Motoru kapatın, fişten çekin ve kesim aleti durana kadar bekleyin.
- Çim sepetini temizleyin. Kuru bir odada saklayın.
- Makineyi kontrol edin, temizleyin ve kuru bir odada saklayın.

Aşağıdaki işlemleri düzenli olarak gerçekleştirin:

- Vida, somun vb. tüm sıkıştırma elemanlarını iyice sıkılayın.
- Gevşek, aşınmış veya hasarlı parçalar olup olmadığını kontrol edin. Gerekliyse yenileriyle değiştirin.
- Kapak ve siperlerin hasarlı veya deforme olup olmadığını kontrol edin.
- Makine çalışma sırasında anormal şekilde titretimeye başlarsa, buna yabancı nesnelere gelen darbeler neticesi dengesizleşen veya deforme olan kesim aleti neden olmuş olabilir. Bu yaşanırsa, kesim aletini yetkili servis merkezine tamir ettirin veya değiştirin.
- Kesim aleti zaman içerisinde aşınabilir. Kesim aletinin durumunu ve stabilitesini düzenli aralıklarla kontrol edin. Aşınmış veya körelmişse yenisiyle değiştirin.
- Saklamadan önce tüm vida parçalarını temizleyin ve yağlayın.

SORUN GİDERME

UYARI: Sorunları çözmeden önce, makineyi kapatın, fişi çekin ve makine tamamen durana kadar bekleyin.

| Sorun | Olası nedeni | Çözüm |
|-------------------------------------|---|--|
| Makine başlatılmıyor. | Fiş güç kaynağına takılmamış. | Güç kaynağının bağlantısını yapın. |
| | Güç kordonunda hasar. | Hemen fişten çekin. Yerel Makita yetkili servis merkezimize tamir ettirin. |
| | Elektrik devresi arızası. | Yerel Makita yetkili servis merkezimize tamir ettirin. |
| | Güvenlik kilidi düğmesi basılı değil. | Güvenlik kilidi düğmesine basın ve başlatma/durdurma kolunu çekin. |
| Makineden tıktırtı sesleri geliyor. | Kesici aletin içine yabancı bir madde sıkışmış. | Motoru kapatın, fişten çekin ve kesici alet durana kadar bekleyin. Ardından yabancı cisim çıkarın. |
| Makineden tuhaf sesler geliyor. | Tahrik kayışı arızası | Yerel Makita yetkili servis merkezimize tamir ettirin. |
| Makine maksimum gücüne ulaşamıyor. | Güç kaynağının voltajı gerekenden düşük. | Başka bir güç kaynağı kullanın. Uygun güç kaynağının kullanılıp kullanılmadığını kontrol edin. |
| | Havalandırma delikleri tıkanmış. | Hava deliklerini temizleyin. |
| Yetersiz sonuç alınması. | Çimler çok yüksek. | Kazma işlemi önce çimleri biçin. |
| | Kesim aleti aşınmış veya hasarlı. | Yenisıyla değiştirin. |
| | Kazılan yüzey makine kapasitesini aşılıyor. | Sadece makine kapasitesine uygun yüzeyleri kazın. |
| | Kazılan derinlik doğru değil. | Kesim aletinin derinliğini ayarlayın. |

İSTEĞE BAĞLI AKSESUARLAR

⚠ DİKKAT:

- Bu aksesuarlar ve ek parçaların bu el kitabında belirtilen Makita aletiniz ile kullanılmaları tavsiye edilmektedir. Herhangi başka bir aksesuar ya da ek parça kullanılması insanlar için bir yaralanma riski oluşturabilir. Aksesuarları ya da ek parçaları yalnızca belirtilmiş olan amaçlarına uygun olarak kullanın.
- Bu aksesuarlarla ilgili daha fazla bilgiye ihtiyaç duyarsanız bulunduğunuz yerdeki yetkili Makita Servis Merkezine başvurun.

Çeşitli kesici alet tipleri bulunur:

- Kazıcı bıçak - Bıçağın keskin kenarı toprağı kazar ve kökleri keser.
- Tırmık bıçağı (isteğe bağlı aksesuar) - Çim ve yaprakları ince dişlerle temizler.
- 2'si bir arada bıçak sistemi (isteğe bağlı aksesuar) - Aynı anda tırmıklama ve kazma.

ÖNEMLİ NOT:

- Listedeki parçaların bazıları alet paketi içerisinde standart aksesuar olarak dahil edilmiş olabilir. Bunlar ülkeden ülkeye farklılık gösterebilir.

Sadece Avrupa ülkeleri için

AT Uygunluk Beyanı

Biz Makita Corporation beyan ederiz ki aşağıdaki makine(ler):

Makine Adı:

Elektrikli Çim Havalandırma

Model No./ Tipi: UV3600

aşağıdaki Avrupa Direktiflerine uygundur:

2005/88/AT ile değiştirilen 2000/14/AT, 2006/42/AT,

2004/108/AT, 2011/65/AB sayılı Avrupa Direktifleri

Aşağıdaki standartlara veya standartlaştırılmış belgelere uygun olarak imal edilmişlerdir:

EN60335, EN13684

2006/42/AT uyumluluğuna ilişkin teknik dosyaya şuradan ulaşılabilir:

Makita, Jan-Baptist Vinkstraat 2, 3070, Belçika

2000/14/AT Direktifinin gerektirdiği uygunluk değerlendirme prosedürü Ek V'e uygundur.

Ölçülen Ses Güç Seviyesi: 99,53 dB (A)

Beklenen Ses Güç Seviyesi: 104 dB (A)

21.11.2014



Yasushi Fukaya

Müdür

Makita, Jan-Baptist Vinkstraat 2, 3070, Belçika

VARNING: Den här apparaten kan användas av barn över 8 år och personer med fysisk eller psykisk funktionsnedsättning eller nedsatt sinnesförmåga, eller som saknar erfarenhet och kunskap, under förutsättning att de har fått handledning eller instruktioner i hur apparaten används på ett säkert sätt och förstår riskerna som medföljer användningen. Barn får inte leka med apparaten. Rengöring och användarunderhåll får inte utföras av barn utan översikt.

DELBETECKNING (Fig. 1)

- | | | |
|------------------------|---------------------------|---------------------------|
| 1. Start/stopp-reglage | 7. Spak | 13. Skärverktyg |
| 2. Låsknapp | 8. Klämma (x2) | 14. Bult och fjäderbricka |
| 3. Handtagets överdel | 9. Gräsuppsamlare | 15. Bärlager |
| 4. Handtagets nederdel | 10. Skyddskåpa | 16. Drivaxel |
| 5. Sladdhållare | 11. Skruvvred | |
| 6. Handtagsklämma | 12. Höjdjusteringsreglage | |

TEKNISKA DATA

| | |
|------------------------------------|--|
| Modellnamn | UV3600 |
| Spänning | 230–240 V |
| Frekvens | 50 Hz |
| Nominell ineffekt | 1 800 W |
| Nettovikt | 15,3 kg |
| Obelastat varvtal | 3 500 min ⁻¹ |
| Maximal skärbredd | 360 mm |
| Höjdinställning | 4 steg (-10/-5/0/5 mm) |
| Gräsuppsamlarens volym | 40 liter |
| Skyddsklass | IPX4 |
| Ljudtrycksnivå | 81,24 dB (A), K= 2,50 dB (A) |
| Ljudtrycksnivå vid användarens öra | 85,5 dB (A), K= 2,50 dB (A) |
| Uppmätt ljudeffektnivå | 99,53 dB (A), K= 4,50 dB (A) |
| Garanterad ljudeffektnivå | 104 dB (A) |
| Vibrationer | 4,673 m/s ² , K= 1,5 m/s ² |

SYMBOLER

Följande symboler används för den här maskinen. Se till att du förstår symbolernas innebörd innan du använder den.



• Läs bruksanvisningen.



• Var särskilt försiktig och uppmärksam.



• Dubbel isolering.



• Använd skyddshandskar.



• Använd kraftiga skor med halkfria sulor.



- Använd ögon- och öronskydd.



- Vänta tills alla delar i maskinen har stannat helt.



- Var uppmärksam på de vassa skärverktygen.



- Stäng av motorn och dra ut kontakten innan du utför rengöring eller underhåll eller om strömkabeln är skadad.



- Föremål kan slungas ut med hög hastighet.



- Håll säkert avstånd mellan arbetsområdet och andra personer i närheten eller husdjur.



- Utsätt inte för regn eller fukt.



- Dra ut kontakten från nätuttaget omedelbart om strömkabeln skadas eller skärs av.



- Risk för elektrisk stöt.



- Håll sladden på avstånd från skärverktygen och hjulen.



- Gäller endast EU-länder
Släng inte elektrisk utrustning tillsammans med hushållssoporna!
Enligt det europeiska direktivet om avfall som utgörs av elektrisk och elektronisk utrustning och dess tillämpning enligt nationell lagstiftning ska uttjänt elektrisk utrustning sorteras separat och lämnas till miljövänlig återvinning.

SÄKERHETSVARNINGAR

LÄS NOGGRANT FÖRE ANVÄNDNING BEHÅLL BRUKSANVISNINGEN FÖR FRAMTIDA BRUK



Börja inte använda maskinen förrän du har läst den här bruksanvisningen. Observera alla anvisningar och montera maskinen enligt beskrivningen.

Maskinens avsedda användning

- Maskinen är avsedd för vertikalskärning eller mossrivning i trädgårdar.
- Vertikalskäraren är endast avsedd för privatbruk och inte för kommersiellt bruk. Använd den inte heller på offentliga platser.

Avsedd för elnät med 220 - 250 V.

Att starta och stänga av elektriska apparater medför spänningsfluktuationer. Om

denna maskin används under ogynnsamma förhållanden kan funktioner hos annan utrustning påverkas negativt. I elnät med ett motstånd på högst 0,412 Ohm är det rimligt att anta att negativa effekter inte förekommer. Nätuttaget för den här enheten måste vara försett med trög säkring eller skyddsavbrytare.

Allmänna anvisningar

- Läs den här bruksanvisningen så att du lär dig hur du ska hantera maskinen. Användare som hanterar maskinen utan att vara tillräckligt informerade ökar risken för brand, elektriska stötar eller personskador både för sig själva och för andra.
- Låna inte ut maskinen till personer som du inte vet med säkerhet kan hantera den.
- Bifoga alltid den här bruksanvisningen när du lånar ut maskinen.
- Den här maskinen är inte avsedd att användas av personer med fysisk eller psykisk funktionsnedsättning eller nedsatt sinnesförmåga, eller som saknar erfarenhet och kunskap. Håll uppsikt över barn så att de inte leker med maskinen.
- Använd endast maskinen om du är i fullgott fysiskt skick. Utför allt arbete lugnt och med försiktighet. Användaren ansvarar för säkerheten för

personer och skador omkring användningsområdet.

- Använd aldrig maskinen om du har brukat alkohol eller droger eller om du känner dig trött eller sjuk.
- Ta regelbundna vilopauser för att förhindra att du förlorar kontrollen över maskinen på grund av trötthet. Vi rekommenderar en vilopaus på 10 till 20 minuter per timme.
- Använd maskinen i enlighet med dessa anvisningar och ta hänsyn till arbetsförhållanden och omständigheter. Oavsedd användning av maskinen kan leda till en riskfylld situation.
- Hanteringen av maskinen kan begränsas av nationella eller lokala regler och föreskrifter.
- Var uppmärksam. Håll uppsikt över vad du gör. Använd sunt förnuft. Använd inte maskinen när du är trött.

Personlig skyddsutrustning

- Klä dig på ett lämpligt sätt. Kläderna ska vara funktionella och lämpliga, d.v.s. åtsittande men utan att vara hindrande. Använd inte smycken eller kläder som kan snärjas in i maskinen. Använd täckande hårskydd om du har långt hår.
- Använd alltid hörselskydd för att inte skada din hörsel.
- Använd skyddsglasögon för att skydda ögonen mot flygande föremål och fragment.

- Använd skyddshandskar för att förhindra att fingrarna skadas.
- Använd andningsskydd för att minska risken för skador.
- Använd alltid kraftiga skor med halkfri sula när du använder maskinen. Detta skyddar mot skador och ger bra fotfäste.
- Använd alltid ordentliga skor och långbyxor när du använder maskinen. Använd inte maskinen barfota eller med öppna sandaler.

Säkerhet på arbetsplatsen

- Håll barn och andra personer, inklusive djur, på avstånd när du använder maskinen.
- Kontrollera arbetsområdet så att det inte finns några stenar, kablar, glas eller andra främmande föremål. Främmande föremål kan hamna i maskinen eller slungas ut av maskinen och orsaka skador eller personskador.
- Använd endast maskinen vid god sikt och under dagsljusförhållanden. Använd inte maskinen i mörker eller dimma.
- Använd inte maskinen i explosiva miljöer, till exempel i närheten av lättantändliga vätskor, gaser eller stoft av något slag. Maskinen kan skapa gnistor som kan antända stoftet eller ångorna.
- Utsätt inte maskinen för regn eller väta. Vatten som tränger in i maskinen kan öka risken för elektriska stötar.

Starta maskinen

- Innan du ansluter kontakten eller slår på maskinen:
 - Kontrollera att kontakten och sladden är i gott skick.
 - Kontrollera att alla skruvar, muttrar och andra fästansordningar sitter säkert.
 - Kontrollera att skärverktygen sitter på plats och är i fullgott skick.
 - Kontrollera att skydds- och säkerhetsanordningar, såsom skyddskåpan eller gräsuppsamlaren fungerar ordentligt.
 - Kontrollera att luftventilerna inte är täckta av damm eller annat främmande material. Rengör dem med en mjuk borste eller trasa om de är igentäppta.
 - Ersätt skadade eller oläsbara etiketter.
 - Kontrollera maskinens alla delar noggrant för att avgöra om de fungerar ordentligt och enligt den avsedda funktionen. Använd framförallt aldrig maskinen om strömbrytaren inte fungerar normalt.
 - Se till att strömbrytaren är i avstängt läge för att förhindra oavsiktlig start.
 - Kontrollera att alla verktyg som använts vid underhåll, till exempel skiftnycklar eller skruvnycklar har avlägsnats.

- Om nätsladden är skadad vänder du dig till ett Makita- auktoriserat servicecenter för att ersätta den, använd endast äkta reservdelar.
- Använd aldrig maskinen om säkerhetsanordningar såsom skyddskåpan eller gräsuppsamlaren är skadade eller saknas.
- När du startar motorn:
 - Håll fötterna på avstånd från skärverktygen.
 - Luta inte maskinen.
 - Stå inte framför utloppsöppningen.
 - Låt aldrig händer eller andra delar av kroppen eller kläder komma i närheten av rörliga delar.
- Om anslutningskabeln skadas ska du dra ut strömkontakten omedelbart. En skadad kabel kan komma i kontakt med strömförande delar och orsaka elektriska stötar.
- Använd aldrig en skadad sladd.
- Håll sladdar och förlängningskablar på avstånd från skärverktygen och hjulen. Skärverktygen kan skada kabeln och orsaka elektriska stötar.
- När maskinen används utomhus ska du alltid använda en jordfelsbrytare med en felström på 30 mA eller lägre.
- Använd endast en förlängningskabel anpassad för utomhusanvändning med stänkskyddad kontakt. Tvärsnittet måste vara minst 1,5 mm² för kablar upp till 25 m och 2,5 mm² för kablar över 25 m.

Elsäkerhet

- Kontrollera att anslutningskontakten på maskinen passar i uttaget innan du använder den.
- Modifiera aldrig anslutningskontakten.
- Använd inte sladden på ett felaktigt sätt. Använd aldrig sladden för att bära, dra eller koppla loss maskinen från eluttaget. Håll sladden borta från värme, olja, skarpa kanter eller rörliga delar. Skadade eller trassliga sladdar kan öka risken för elektriska stötar.
- Kontrollera förlängningskabeln regelbundet så att inte isoleringen har skadats. Ersätt den om den är skadad.
- Maskinen får endast anslutas till ett nätuttag med samma spänning som anges på typplåten och kan endast köras med enfas växelström. Dessa är dubbelisolerade i enlighet med europeisk standard och kan därför anslutas till eluttag som saknar skyddsjord.
- Undvik kroppskontakt med jordade ytor (t.ex. rör, radiatorer, spisar, kylskåp).

Användning

- Undvik användning på vått gräs. Var särskilt uppmärksam när du

arbetar på vått gräs så att du inte halkar.

- Håll stadigt i handtaget med båda händerna under användning. Håll handtaget torrt och rent för att förhindra olyckor.
- Spring inte. Använd endast i normal gångtakt.
- Var särskilt uppmärksam på var du sätter fötterna när du arbetar i en sluttning.
- Arbeta inte rakt uppför eller rakt nerför en sluttning. Arbeta alltid längs med en horisontell linje.
- Var särskilt försiktig när du startar maskinen i en sluttning.
- Arbeta aldrig i en brant sluttning.
- Var extremt försiktig när du backar eller drar maskinen mot dig.
- Sträck dig inte för långt. Stå alltid med bra fotfäste och balans. Det ger dig bättre kontroll över maskinen i oväntade situationer.
- Tänk alltid på följande:
 - Håll fötterna på avstånd från skärverktygen.
 - Luta inte maskinen.
 - Stå inte framför utloppsöppningen.
 - Låt aldrig händer eller andra delar av kroppen eller kläder komma i närheten av rörliga delar.
- Forcera inte maskinen. Den gör jobbet bättre och säkrare vid den frekvens som den har utformats för. Frekvent överbelastning

kan leda till motorskador eller brand.

- Stäng av motorn och dra ut kontakten:
 - Varje gång du lämnar maskinen utan uppsikt
 - Innan du åtgärdar gräs och mossa som fastnat eller något annat fel
 - Innan du kontrollerar, rengör eller gör arbete på maskinen
 - Innan du gör några justeringar, byter tillbehördelar eller förvarar maskinen
 - När maskinen träffar ett främmande föremål. Vänta tills maskinen har svalnat. Kontrollera maskinen och ersätt de delar som behövs innan du fortsätter användningen
 - Varje gång maskinen börjar vibrera eller låta ovanligt
 - När du monterar eller tar bort gräsuppsamlaren
 - När någon kommer in i ditt arbetsområde
 - När du korsar en yta som inte består av gräs
 - När du transporterar maskinen.
- Stoppa skärverktyget:
 - Om du måste luta på maskinen
 - När du korsar ytor som inte består av gräs
 - När du transporterar maskinen till och från arbetsytorna.

- Var uppmärksam på skärverktygen. De stannar inte omedelbart efter avstängning.

Anvisningar för underhåll

- Lämna in maskinen på service hos ett auktoriserat servicecenter som endast använder äkta reservdelar. Felaktiga reparationer och dåligt underhåll kan förkorta maskinens livstid och öka risken för olyckor.
- Kontrollera maskinen regelbundet.
- Följ anvisningarna nedan innan du utför service, kontroll, justering, förvaring eller byter tillbehör:
 - Stäng av strömkällan
 - Koppla från maskinen från nätuttaget
 - Se till att alla rörliga delar har stannat fullständigt
 - Låt maskinen svalna.
- Kontrollera maskinen så att den inte är skadad:
 - Att säkerhetsanordningar fungerar ordentligt enligt den avsedda funktionen
 - Att alla rörliga delar fungerar som de ska och rör sig fritt
 - Att alla delar är oskadade och ordentligt monterade
 - Kontrollera att skärverktyget inte är skadat, utslitit eller i obalans
 - Kontrollera regelbundet att gräsupsamlaren inte är skadad eller utsliten

- Kontrollera att alla muttrar, bultar och skruvar sitter ordentligt
- Ersätt eller reparera eventuellt skadade eller utslitna delar genom vårt auktoriserade servicecenter.

- Utför inte annan typ av underhåll eller reparation än vad som beskrivs i den här bruksanvisningen. Allt annat arbete måste utföras av ett Makita-auktoriserat servicecenter.
- Använd endast reservdelar och tillbehör i original från Makita som är avsedda för den här maskinen. Det kan annars leda till personskador eller skador på maskinen.
- Förvara maskinen i ett torrt rum. Förvara utom räckhåll för barn. Förvara aldrig maskinen utomhus.

Vibrationer

- Kraftiga vibrationer kan orsaka skador i blodkärl eller nervsystem hos personer med dålig blodcirkulation. Vibrationer kan orsaka att följande symptom uppstår i fingrar, händer eller handleder: Kroppsdelar som "somnar" (bortdomningar), en pirrande, stickande smärta eller känsla, eller hudfärgsförändringar. Uppsök läkare om något av dessa symptom uppstår.
- Minska risken för "hand-arm-vibrationssyndrom" genom att hålla händerna varma under användning och se till att utrustning och tillbehör är i bra skick.

⚠ VARNING:

- Vid användning av maskinen uppstår ett elektromagnetiskt fält. Det rekommenderas att personer med medicinska implantat rådfrågar sina läkare och tillverkarna av implantaten innan de använder den här maskinen. Det elektromagnetiska fältet kan annars påverka de medicinska

implantaten, vilket kan leda till allvarliga personskador.

MONTERING

⚠ VAR FÖRSIKTIG:

- Se alltid till att maskinen är avstängd och kontakten utdragen innan något arbete utförs på maskinen.

Montera handtaget (Fig. 2, 3)

- 1) Fäst handtagets nederdel (4) på maskinen med skruvvreden (11).
- 2) Placera handtagets överdel (3) på handtagets nederdel och fäst dem sedan med två mellanläggsbrickor, muttern och spaken (7).
- 3) Fäst sladden med klämmorna (8) på handtaget.

Montera gräsuppsamlaren

⚠ VAR FÖRSIKTIG:

- Använd inte maskinen utan gräsuppsamlaren. Skador kan annars uppstå på grund av utslungade föremål.
- Använd heltäckande skyddsglasögon vid användning utan uppsamlare med öppet utsläpp bakåt och exponerade bakre cylindrar.

OBS:

- Maskinens prestanda minskar när gräsuppsamlaren är full. Töm gräsuppsamlaren regelbundet innan den blir helt full.

Montera gräsuppsamlaren

Dra upp skyddskåpan (10) och håll i den. Sätt i hakarna på gräsuppsamlaren i skärorna på maskinen.

Ta bort gräsuppsamlaren

Dra upp skyddskåpan (10) och håll i den. Ta bort gräsuppsamlaren genom att lösgöra hakarna från skärorna på maskinen.

Sladdhållare (Fig. 4)

Med sladdhållaren (5) förhindrar du att sladden snärjs in i bladet eller hjulen.

Gör en liten ögla i änden av nätsladden, för den genom öppningen i sladdhållaren och häng upp den på kroken.

Ta alltid hänsyn till sladdens position under användning. Påbörja användningen vid den närmaste punkten från nätuttaget för att förhindra att sladden oavsiktligen skärs av. Använd inte maskinen om bulten är lös eller saknas. Ersätt den omedelbart om den är skadad.

Ta bort eller montera skärverktyget

⚠ VAR FÖRSIKTIG:

- Använd skyddshandskar.
- Var särskilt uppmärksam när du hanterar skärverktyget. Det är väldigt vasst och kan bli varmt under användning.
- Använd alltid ett skärverktyg som är lämpat för användningens syfte.
- Kontrollera alltid före användning att de båda bultarna som håller fast skärverktyget i maskinen är ordentligt åtdragna. Använd inte maskinen om de är lösa eller saknas och ersätt dem omedelbart.

Ta bort skärverktyget

- 1) Ta bort gräsuppsamlaren (9).
- 2) Ta loss handtaget från maskinen.
- 3) Placera maskinen upp och ned på en plan yta.
- 4) Lossa de båda bultarna (14). Ta bort dem tillsammans med fjäderbrickorna.
- 5) Lyft bärlagret från skärverktyget (15) och dra sedan ut skärverktyget (13) från drivaxeln (16).

Montera skärverktyget

- 1) Sätt i skärverktyget genom skjuta in den sexkantsformiga delen i sockeln på drivaxeln.
- 2) Fäst bärlagret i maskinen med bultarna och fjäderbrickorna.

FUNKTIONSBESKRIVNING

⚠ VARNING:

- Se till att maskinen är avstängd innan du kopplar in den. Om du kopplar in maskinen med strömbrytaren på kan det orsaka en oavsiktlig start, vilket kan leda till allvarliga personskador.
- Använd aldrig maskinen om strömkabeln är skadad. Det kan orsaka elektriska stötar.

- Använd inte maskinen om det inte går att starta och stänga av den med strömbrytaren. Ersätt defekta strömbrytare hos ett Makita- auktoriserat servicecenter.

Start/stopp-reglage

Starta maskinen genom att hålla ned låsknappen (2) samtidigt som du drar i start/stopp-reglaget (1) så långt det går och håller kvar det. När du väl har dragit i start/stopp-reglaget behöver du inte längre hålla in låsknappen. När du vill stoppa maskinen släpper du bara start/stopp-reglaget.

Justering av handtagets vinkel

Du kan ändra vinkeln på handtagets överdel.

- 1) Läs upp handtagsklämmorna (6).
- 2) Justera vinkeln på handtagets överdel (3).
- 3) Läs handtagsklämmorna igen.

Justering av höjden

Du kan justera höjden på skärverktyget efter grässets längd och tillstånd.

Se tabellen nedan för en ungefärlig beskrivning av djupinställningarna.

| Höjd | Användning | |
|--------|---|--|
| | Vertikalskärare | Mossrivare (extra tillbehör) |
| +5 mm | För transport och förvaring. Vertikalskärning av känsliga gräsmattor. Skär tunna lager. Den andra vertikalskärningen på hösten. | För transport och förvaring. Räfsning av normala gräsmattor. |
| 0 mm | Vertikalskärning av normala gräsmattor. Skär normaltjocka lager. | Räfsning av tjocka och kraftiga gräsmattor. |
| -5 mm | Vertikalskärning av normala gräsmattor. Skär tjocka lager. | Använd INTE för räfsning. |
| -10 mm | Vertikalskärning av tjocka och kraftiga gräsmattor. Skär tjocka lager. | Använd INTE för räfsning. |

Ändra höjden

Tryck höjdjusteringsreglaget (12) utåt och flytta det till önskad position.

Överbelastningsskydd

Den här maskinen är utrustad med ett överbelastningsskydd som aktiveras under följande situationer:

- När skärverktyget blir igentäppt av gräs och mossor som byggs upp omkring det.
- När maskinen försöker bearbeta mer än motorn kan hantera.
- När något hindrar skärverktygets rotation.

När det här skyddet aktiveras stängs maskinen av automatiskt.

Om det händer kopplar du från maskinen, väntar till den har svalnat och åtgärdar sedan orsaken till överbelastningen innan du startar maskinen på nytt.

ANVÄNDNING

Användningstips:

- Klipp gräset innan användning och gödsla gräsmattan efter användning.
- Justera djupet på skärverktyget efter grässets längd och väderförhållanden.
- Undvik användning på vått gräs. Det kan fastna i utloppsöppningen och i andra delar av maskinen. Det ökar också risken för att du halkar eller ramlar.
- Rör dig inte för snabbt. Flytta maskinen i långsam takt. Utloppsöppningen kan annars bli igentäppt och motorn kan bli överbelastad.
- Förflytta dig i en så rak linje som möjligt.
- Skär med något överlappande linjer. På det sättet får du en jämn och mjuk yta.
- När en blomrabatt finns i användningsområdet gör du en eller två cirklar omkring blomrabatten.
- Var särskilt försiktig när du startar maskinen.
- Stå inte still på en och samma plats. Det skadar gräset.

Tips vid vertikalskärning:

- Ta alltid hänsyn till vädret. Varmt, soligt och fuktigt väder är bra väder för vertikalskärning eftersom gräsmattan då kan återhämta sig bra. Undvik däremot kallt, hett eller torrt väder.
- Vertikalskär gräsmattan under vårsäsongen.
- Om sommaren är fuktigt vertikalskär du gräsmattan under tidig höst.
- Undvik att vertikalskära gräsmattan vid perioder med extremt hett väder.
- Om sommaren är mycket torr ska du inte vertikalskära gräsmattan på hösten.

Tips vid mossrivning:

- Mycket luft behöver komma ned till gräsmattans rötter för att gräsmattan ska få en frisk tillväxt under vårsäsongen.
- Det rekommenderas att du luftar gräsmattan en gång var 4–6:e vecka beroende på gräsmattans skick.

UNDERHÅLL

⚠ VAR FÖRSIKTIG:

- Förvissa dig alltid om att maskinen är avstängd och att nätkabeln har dragits ut innan du utför kontroll eller underhåll på maskinen.
- Använd skyddshandskar när du utför kontroll eller underhåll.
- Skärverktyget stannar inte omedelbart efter avstängning. Vänta tills alla delar har stannat innan du utför kontroll eller underhållsarbete.

- Se till att alla verktyg har avlägsnats efter att du har utfört underhållsarbete.
- Använd aldrig bensen, ren bensen, thinner, alkohol eller liknande för rengöring. Det kan resultera i missfärgning, deformation eller sprickor. Använd endast en fuktig trasa och en mjuk borste när du rengör maskinen.
- Spruta inte på eller rengör maskinen med en högtryckstvätt.

Tänk på följande när du transporterar maskinen:

- Stäng av motorn, dra ut kontakten och vänta tills skärverktyget har stannat.
- Justera djupet på skärverktyget till transporthöjd.
- Transportera alltid maskinen med handtaget.
- Undvik kraftiga stötar eller vibrationer.
- Se till att maskinen är ordentligt fastsurrad vid fordonstransport.

Utför följande åtgärder efter varje användningstillfälle:

- Stäng av motorn, dra ut kontakten och vänta tills skärverktyget har stannat.
- Rengör gräsuppsamlaren. Förvara i ett torrt rum.
- Inspektera, rengör och förvara maskinen i ett torrt rum.

Utför följande arbete med jämna mellanrum:

- Kontrollera att alla klämmor, skruvar och muttrar med mera sitter ordentligt.
- Kontrollera att det inte finns några defekter såsom lösa, utslitna eller skadade delar. Ersätt dem om det behövs.
- Kontrollera att kåpor och skydd inte är skadade eller deformationerade.
- Om maskinen börjar vibrera onormalt under användning kan det bero på att skärverktyget har blivit obalanserat eller deformationerat på grund av främmande föremål som har träffat det. Lämma in skärverktyget för reparation eller ersätt det hos ett auktoriserat servicecenter om det händer.
- Skärverktyget blir utslitet med tidens gång. Kontrollera skicket på skärverktyget och dess stabilitet med jämna mellanrum. Ersätt det om det blir utslitet eller slött.
- Rengör och smörj alla skruvdelar före förvaring.

FELSÖKNING

VARNING: Stäng av maskinen, dra ut nätkontakten och vänta tills maskinen har stannat helt innan du löser några problem på den.

| Fel | Möjlig orsak | Åtgärd |
|---|---|--|
| Maskinen startar inte. | Nätkontakten är inte inkopplad. | Anslut nätkontakten. |
| | Nätsladden är defekt. | Koppla ur kontakten omedelbart. Be ditt lokala Makita- auktoriserade servicecenter reparera den. |
| | Den elektriska kretsen är defekt. | Be ditt lokala Makita- auktoriserade servicecenter reparera den. |
| | Läsknappen är inte intryckt. | Tryck in läsknappen och dra i start/stopp-reglaget. |
| Det kommer skrällande ljud från maskinen. | Främmande material har kommit in i skärverktyget. | Stäng av motorn, dra ut kontakten och vänta tills skärverktyget har stannat. Ta sedan bort det främmande materialet. |
| Det kommer ett konstigt ljud från maskinen. | Drivremmen är defekt | Be ditt lokala Makita- auktoriserade servicecenter reparera den. |
| Maskinen når inte sin maximala effekt. | Strömkällan har lägre spänning än vad som krävs. | Prova en annan strömkälla. Kontrollera om lämpliga strömkällor används. |
| | Luftventilerna är igentäppta. | Rengör luftventilerna. |
| Dåligt resultat. | Gräset är för högt. | Klipp gräset innan du vertikalskär det. |
| | Skärverktyget är utslitet eller skadat. | Ersätt det. |
| | Ytan som ska vertikalskäras överstiger maskinens kapacitet. | Vertikalskär endast ytor i enlighet med maskinens kapacitet. |
| | Det inställda djupet är inte korrekt. | Justera djupet på skärverktyget. |

⚠ VAR FÖRSIKTIG:

- Dessa tillbehör och tillsatser rekommenderas att användas tillsammans med den Makita-maskin som anges i denna bruksanvisning. Om några andra tillbehör eller tillsatser används kan det uppstå risk för personskador. Använd endast tillbehören eller tillsatserna för de syften de är avsedda för.
- Kontakta ditt lokala Makita-servicecenter om du behöver hjälp eller mer detaljerad information om dessa tillbehör.

Det finns flera olika typer av skärverktyg:

- Vertikalskärare – Den vassa eggen på bladet skär ned i marken och klipper rötter.
- Mossrivare (extra tillbehör) – Avlägsnar gräs och löv med små nålar.
- 2 i 1-blad (extra tillbehör) – Räfsar och vertikalskär på samma gång.

OBSERVERA:

- Vissa föremål i listan kanske ingår som standardtillbehör till maskinen. Detta kan variera i olika länder.

Endast för europeiska länder**EG-försäkran om överensstämmelse****Makita intygar att följande maskin(er):**

Maskinbeteckning:

Elektrisk vertikalskärare

Modellnr/typ: UV3600

I enlighet med följande europeiska direktiv:

2000/14/EG ändrat genom 2005/88/EG, 2006/42/EG, 2004/108/EG, 2011/65/EU

Är tillverkade i enlighet med följande standard eller standardiserade dokument:

EN60335, EN13684

Den tekniska dokumentationen enligt 2006/42/EG finns tillgänglig på följande adress:

Makita, Jan-Baptist Vinkstraat 2, 3070, Belgien

Bedömningen för överensstämmelse som krävs enligt direktivet 2000/14/EG skedde i enlighet med bilaga V.

Uppmätt ljudeffektnivå: 99,53 dB (A)

Garanterad ljudeffektnivå: 104 dB (A)

21.11.2014



Yasushi Fukaya

Direktör

Makita, Jan-Baptist Vinkstraat 2, 3070, Belgien

ADVARSEL: Dette redskapet kan brukes av barn som er eldre enn 8 år, og av personer med redusert fysisk, sanselig eller mental kapasitet eller som har mangel på erfaring og kunnskap, hvis de er under oppsyn eller har fått opplæring i sikker bruk av redskapet og forstår farene som er involvert. Barn skal ikke leke med apparatet. Rengjøring og vedlikehold skal ikke utføres av barn uten tilsyn.

DELEBETEGNELSE (Fig. 1)

- | | | |
|--------------------------------|-------------------------|-----------------------|
| 1. Start/stopp-spak | 7. Spak | 13. Skjæreverktøy |
| 2. Sperreknapp | 8. Klips (x2) | 14. Bolt og fjærskive |
| 3. Øvre håndtak | 9. Gressfanger | 15. Lager |
| 4. Nedre håndtak | 10. Deflektorvern | 16. Drivaksel |
| 5. Strekkavlasting for ledning | 11. Knapp | |
| 6. Håndtakslemme | 12. Høydejusteringsspak | |

TEKNISKE DATA

| | |
|----------------------------------|--|
| Modellnavn | UV3600 |
| Spenning | 230–240 V |
| Frekvens | 50 Hz |
| Nominell inngangseffekt | 1 800 W |
| Nettovekt | 15,3 kg |
| Turtall uten belastning | 3 500 min ⁻¹ |
| Maksimal skjærebredde | 360 mm |
| Arbeidshøydeområde | 4 trinn (–10/–5/0/5 mm) |
| Gressfangervolum | 40 l |
| Beskyttelsesklasse | IPX4 |
| Lydtrykknivå | 81,24 dB (A), K= 2,50 dB (A) |
| Lydtrykknivå ved operatørens øre | 85,5 dB (A), K= 2,50 dB (A) |
| Målt lydeffektnivå | 99,53 dB (A), K= 4,50 dB (A) |
| Garantert lydeffektnivå | 104 dB (A) |
| Vibrasjon | 4,673 m/s ² , K= 1,5 m/s ² |

SYMBOLER

Følgende viser symbolene som brukes for maskinen. Sørg for at du forstår hva de betyr før bruk.



- Les bruksanvisningen.



- Vær ytterst forsiktig og oppmerksom.



- Dobbelt isolasjon.



- Bruk vernehansker.



- Bruk solid fottøy med sklisikre såler.



- Bruk vernebriller og hørselvern.



- Vent til alle delene i maskinen har stoppet helt.



- Vær oppmerksom på skarpe skjæreverktøy.



- Slå av motoren og plugg ut før rengjøring eller vedlikehold, eller hvis strømkabelen er skadet.



- Gjenstander kan bli slynget ut i stor hastighet.



- Hold trygg avstand mellom tilskuere eller kjæledyr og arbeidsområdet.



- Må ikke utsettes for regn eller fuktighet.



- Fjern pluggen fra strømkilden umiddelbart hvis strømledningen blir skadet eller kuttet.



- Fare for elektrisk støt.



- Hold ledningen unna skjæreverktøyet eller hjulene.



- Kun for EU-land
Ikke kast elektrisk utstyr sammen med husholdningsavfall.

I henhold til EU-direktivet om avhending av elektrisk og elektronisk utstyr, og dettes implementasjon i henhold til nasjonal lovgivning, må elektrisk utstyr som har nådd slutten av sin levetid, samles inn separat og leveres til et miljøansvarlig resirkuleringsanlegg.

SIKKERHETSADVARSLER

LES GRUNDIG FØR BRUK TA VARE PÅ INSTRUKSJONSHÅNDBOKEN FOR FREMTIDIG REFERANSE



Ikke begynn å bruke maskinen før du har lest disse bruksanvisningene. Følg alle anvisningene som er gitt, og installer maskinen som beskrevet.

Tiltenkt bruk av maskinen

- Denne maskinen er beregnet for harving eller raking i hager.
- Harven er beregnet kun for privat bruk og er ikke for kommersiell bruk. Bruk den heller ikke på offentlige steder.

For offentlige lavspenningsnett på mellom 220 V og 250 V.

Inn- og utkobling av elektriske apparater forårsaker spenningsvariasjoner. Bruken av dette apparatet under uheldige forhold i strømmettet kan ha negative virkninger på bruken av annet utstyr. Når strømnnettimpedansen er lik eller lavere enn 0,412 ohm, er det grunn til å anta at ingen negative virkninger vil oppstå. Nettuttaket som brukes til dette apparatet må være beskyttet av en treg sikring eller et tregt overlastvern.

Generelle instruksjoner

- Les denne instruksjonshåndboken for å gjøre deg kjent med

hvordan du håndterer maskinen. Håndtering av maskinen av brukere som ikke er tilstrekkelig informert, øker faren for brann, elektrisk støt eller personskade for dem selv og andre.

- Ikke lån ut maskinen til personer som ikke har vist å ha erfaring med den.
- Når du låner ut maskinen, må du alltid legge ved denne instruksjonshåndboken.
- Maskinen er ikke beregnet for bruk av personer med redusert fysisk, sanselig eller mental kapasitet eller mangel på erfaring og kunnskap. Små barn må holdes under oppsyn for å sikre at de ikke leker med maskinen.
- Bruk den bare hvis du er i god fysisk form. Utfør alt arbeid rolig og forsiktig. Brukeren er ansvarlig for all sikkerhet for personer og skader rundt bruksområdet.
- Aldri bruk denne maskinen etter å ha nytt alkohol eller narkotika, eller hvis du føler deg trett eller syk.
- Ta en pause for å unngå å miste kontroll når du blir sliten. Vi anbefaler å ta 10 til 20 minutter pause hver time.
- Bruk maskinen i samsvar med disse instruksjonene, og under vurdering av arbeidsforholdene og bruksområdet. Ikke tiltenkt bruk av maskinen kan føre til en farlig situasjon.
- Nasjonale eller lokale forskrifter kan begrense håndteringen av maskinen.

- Vær oppmerksom. Følg med på hva du gjør. Bruk sunn fornuft. Ikke bruk maskinen når du er trett.

Personlig verneutstyr

- Kle deg skikkelig. Klærne du har på skal være praktiske og hensiktsmessige, dvs. de skal være tettsittende, men ikke være til hinder. Ikke bruk smykker eller klær som kan bli viklet inn i maskinen. Dekk over langt hår med et beskyttende plagg.
- Bruk alltid hørselvern for å unngå hørselstap.
- Bruk vernebriller for å beskytte øynene mot gjenstander og avfall som slynges.
- Bruk vernehansker for å unngå å skade fingrene.
- Bruk støvmaske for å redusere faren for skade.
- Bruk alltid solid fottøy med glisikre såler når du bruker maskinen. Dette beskytter mot skader og sørger for godt fotfeste.
- Bruk alltid heldekkende fottøy og langbukser når du bruker maskinen. Ikke bruk maskinen når du er barfot eller går med åpne sandaler.

Sikkerhet på arbeidsområdet

- Hold barn og tilskuere, også dyr, unna mens maskinen benyttes.
- Kontroller at det ikke er stener, ståltråd, glass eller andre fremmedlegemer i arbeidsområdet. Fremmedlegemer kan hekte seg fast eller slynges opp av maskinen,

- noe som kan føre til personskade eller materiell skade.
- Bruk maskinen kun når det er god sikt og dagslys. Ikke bruk maskinen i mørke eller tåke.
 - Ikke bruk maskinen i eksplosjonsfarlige omgivelser, for eksempel i nærheten av brennbare væsker, gasser eller støv. Maskinen danner gnister som kan antenne støv eller damp.
 - Ikke utsett maskinen for regn eller våte omgivelser. Vann som kommer inn i maskinen, kan øke faren for elektrisk støt.

Starte maskinen

- Før du kobler til pluggen eller slår på maskinen:
 - Kontroller pluggen og ledningen og bekreft at de er i god stand.
 - Kontroller at alle skruer, muttere og andre festeanordninger sitter godt fast.
 - Kontroller at skjæreverktøy er på plass og i god stand.
 - Kontroller at skjermer og sikkerhetsanordninger, for eksempel deflektorer eller gressfanger, fungerer som de skal.
 - Kontroller at ikke luftventilene er dekket av støv eller andre fremmedlegemer. Rengjør dem med en myk børste eller klut hvis de er tilstoppet.
 - Bytt etiketter som er skadet eller uleselige.

- Kontroller alle delene på maskinen nøye for å finne ut om de fungerer og utfører den tiltenkte funksjonen. Bruk aldri maskinen hvis ikke bryteren fungerer normalt.
- Kontroller at bryteren er av for å unngå utilsiktet start.
- Kontroller at alle verktøy for vedlikehold, for eksempel justeringsnøkkel eller skiftenøkkel, er fjernet.
- Hvis strømledningen er skadet, ta kontakt med et autorisert Makita-servicesenter for å bytte den ut, og bruk alltid originale reservedeler.
- Aldri bruk maskinen hvis sikkerhetsanordninger som deflektorvern eller gressfanger er skadet eller mangler.
- Når motoren slås på:
 - Hold føttene unna skjæreverktøyet.
 - Ikke vipp maskinen.
 - Ikke stå foran utmateråpningen.
 - Aldri stikk hendene eller noen annen del av kroppen eller klærne nær deler i bevegelse.

Elektrisitetssikkerhet

- Kontroller at tilkoblingspluggen på maskinen passer i sokkelen før bruk.
- Aldri modifier tilkoblingspluggen.
- Ikke misbruk ledningen. Aldri bruk ledningen til å bære, trekke eller plugge fra maskinen.

Hold ledningen unna varme, olje, skarpe kanter og deler i bevegelse. En ledning som er skadet eller hektet, kan øke faren for elektrisk støt.

- Kontroller skjøteledningen med jevne mellomrom med henblikk på skade på isolasjonen. Bytt ut dersom den er skadet.
- Hvis tilkoblingsledningen er skadet, må du trekke ut strømpluggen med en gang. En skadet ledning kan føre til kontakt med strømførende deler og gi elektrisk støt.
- Aldri bruk en ledning som er skadet.
- Hold ledningen og skjøteledningen unna skjæreverktøy og hjul. Skjæreverktøy kan skade ledningen og forårsake elektrisk støt.
- Når du bruker maskinen utendørs, må du alltid bruke en reststrømstyrt skillebryter (RCD) med en driftsstrøm på 30 mA eller mindre.
- Bare bruk skjøteledning til utendørs bruk med sprutsikkert koblingsstykke. Tverrsnittet må være minst 1,5 mm² for kabellengder opptil 25 m, og 2,5 mm² for kabellengder over 25 m.
- Maskinen skal bare kobles til en strømforsyning med samme spenning som indikert på typeskiltet, og kan bare brukes med énfaset vekselstrøm. De er dobbeltisolerte i samsvar med

europaisk standard og kan derfor også brukes med stikkontakter uten jording.

- Unngå kroppskontakt med jordede flater (f.eks. rør, radiatorer, komfyrer, kjøleskap).

Bruk

- Må ikke brukes på vått gress. Vær spesielt forsiktig når du arbeider på vått gress for å unngå å skli.
- Hold godt i håndtaket med begge hender under bruk. Hold håndtaket tørt og rent for å unngå ulykker.
- Ikke løp. Bare gå når du bruker maskinen.
- Vær spesielt oppmerksom på fotfestet når du arbeider i en skråning.
- Ikke arbeid rett opp eller ned en skråning. Arbeid alltid langs en horisontal linje.
- Vær spesielt forsiktig når du snur maskinen i en skråning.
- Arbeid aldri i en bratt skråning.
- Vær ytterst forsiktig når du går bakover eller trekker maskinen mot deg.
- Ikke strekk deg for langt. Ha godt fotfeste og balanse til enhver tid. Dette gir bedre kontroll over maskinen i uventede situasjoner.
- Husk alltid:
 - Hold føttene unna skjæreverktøyet.
 - Ikke vipp maskinen.
 - Ikke stå foran utmateråpningen.

- Aldri stikk hendene eller noen annen del av kroppen eller klærne nær deler i bevegelse.
- Ikke tving maskinen. Den gjør jobben bedre og tryggere på den måten den ble laget for. Hyppig overbelastning kan føre til skade eller brann i motoren.
- Slå av motoren og plugg ut:
 - Når du forlater maskinen uten tilsyn
 - Før du klarer en blokkering eller feil
 - Før du kontrollerer, rengjør eller arbeider på maskinen
 - Før du foretar justeringer, bytter tilbehør eller lagrer maskinen
 - Når maskinen treffer et fremmedlegeme. Vent til maskinen kjøles av. Undersøk maskinen og skift ut deler etter behov før du fortsetter
 - Når maskinen begynner å vibrere eller lage unormal støy
 - Når du fester eller tar av gressfangeren
 - Når noen kommer inn i arbeidsområdet
 - Når du krysser andre underlag enn gress
 - Under transport.
- Stopp skjæreverktøyet:
 - Hvis du må vippe maskinen
 - Når du krysser andre underlag enn gress

- Når du transporterer maskinen til eller fra underlag som skal bearbeides.

- Vær oppmerksom på skjæreverktøyet. Det stopper ikke umiddelbart etter at maskinen er slått av.

Vedlikeholdsinstruksjoner

- Få maskinen reparert av vårt autoriserte servicesenter og bruk alltid originale reservedeler. Feil reparasjon og dårlig vedlikehold kan forkorte levetiden til maskinen og øke faren for ulykker.
- Inspiser maskinen ved jevne mellomrom.
- Utfør følgende trinn før service, inspeksjon, justering, lagring eller skifte av tilbehør:
 - Slå av strømkilden
 - Koble maskinen fra strømtilførselen
 - Kontroller at alle bevegelige deler har stoppet helt
 - La maskinen kjøles av.
- Inspiser maskinen for mulig skade:
 - At sikkerhetsanordningene fungerer som de skal
 - At alle bevegelige deler går jevnt og riktig
 - At alle deler ikke er skadet og er riktig montert
 - Kontroller om skjæreverktøyet er skadet, slitt eller ubalansert
 - Kontroller med jevne mellomrom om

gressfangeren er skadet eller slitt

- Kontroller at alle mutrer, bolter og skruer er stramme
- La vårt autoriserte servicesenter bytte ut eller reparere dersom det er defekte eller slitte deler.

- Ikke utfør annet vedlikeholds- eller reparasjonsarbeid enn det som er beskrevet i denne instruksjonshåndboken. Alt annet arbeid må utføres av et autorisert Makita-servicesenter.
- Bruk bare originale reservedeler fra Makita samt tilbehør som er beregnet for din maskin. Ellers kan det forekomme personskade eller skade på maskinen.
- Lagre maskinen i et tørt rom. Hold den utilgjengelig for barn. Aldri lagre maskinen utendørs.

Vibrasjon

- Personer med dårlig sirkulasjon som er utsatt for høy vibrasjon, kan oppleve skade på blodkar eller nervesystemet. Vibrasjon kan føre til følgende symptomer i fingre, hender og hånledd: "har sovnet" (nummenhet), prikking, smerte, stikkefølelse, endring av hudfarge eller av hudflaten. Oppsøk lege dersom noen av disse symptomene oppstår.
- For å unngå risiko for "hvite fingre" må hendene holdes varme under bruk, og hold utstyret og tilbehøret godt ved like.

⚠ ADVARSEL:

- Denne maskinen danner et elektromagnetisk felt under bruk. Det anbefales at personer med medisinske implantater rådfører seg med legen og produsenten av implantatet før de bruker denne maskinen. Ellers kan det elektromagnetiske feltet påvirke de medisinske implantatene, noe som kan føre til alvorlig skade.

⚠ FORSIKTIG:

- Vær alltid sikker på at maskinen er slått av og plagget fra før arbeid på verktøyet utføres.

Montere håndtaket (Fig. 2, 3)

- 1) Fest det nedre håndtaket (4) til maskinen med knappene (11).
- 2) Plasser det øvre håndtaket (3) på det nedre håndtaket, og fest dem deretter med to avstandsstykker, mutter og spaken (7).
- 3) Fest ledningen med klipsene (8) på håndtaket.

Montere gressfangeren

⚠ FORSIKTIG:

- Ikke bruk maskinen uten gressfanger. Ellers kan gjenstander som slynges ut, forårsake personskade.
- Ved bruk av apparater med utløp bak og eksponerte bakre ruller som brukes uten fangeren, må heldekkende øyevern brukes.

MERKNAD:

- Maskinens ytelse reduseres når gressfangeren er full. Tøm gressfangeren med jevne mellomrom før den blir helt full.

Installere gressfangeren

Trekk deflektorvernet (10) opp, og hold det. Sett krokene på gressfangeren inn i sporene på maskinen.

Fjerne gressfangeren

Trekk deflektorvernet (10) opp, og hold det. Fjern gressfangeren ved å løsne krokene fra sporene på maskinen.

Strekavlastning for ledning (Fig. 4)

Strekavlastningen for ledningen (5) hjelper med å hindre at ledningen blir hengende ned mot bladet eller hjulet.

Lag en liten løkke i enden på strømledningen, og før den gjennom åpningen på strekkavlastningen for ledningen, og heng den deretter på kroken.

Vær alltid oppmerksom på ledningens plassering under bruk. Start arbeidet fra stedet nærmest strømforsyningen for å unngå at ledningen kuttes ved et uhell. Det anbefales å holde ledningen over skulderen under bruk.

Fjerne eller installere skjæreverktøyet

⚠ FORSIKTIG:

- Bruk vernehansker.
- Vær spesielt oppmerksom når du håndterer skjæreverktøyet.

Det er svært skarpt og kan bli varmt under bruk.

- Bruk alltid skjæreverktøy som er egnet for ditt bruk.
- Kontroller før bruk at to bolter som holder skjæreverktøyet på maskinen, er godt strammet. Ikke bruk maskinen hvis boltene er løse eller mangler. Bytt ut med én gang hvis den er skadet.

Fjerne skjæreverktøyet

- 1) Fjern gressfangeren (9).
- 2) Fjern håndtaket fra maskinen.
- 3) Sett maskinen opp-ned på et flatt underlag.
- 4) Løsne de to boltene (14). Fjern dem og fjærskivene.
- 5) Løft lagerdelen av skjæreverktøyet (15), og trekk deretter skjæreverktøyet (13) ut fra drivakselen (16).

Installere skjæreverktøyet

- 1) Sett inn skjæreverktøyet ved å skyve sekskantmutterdelen inn i sokkelen til drivakselen.
- 2) Fest lagerdelen til maskinen med boltene og fjærskivene.

FUNKSJONSBSKRIVELSE

⚠ ADVARSEL:

- Før du plugges til maskinen må du alltid kontrollere at maskinen er slått av. Hvis maskinen plugges til med bryteren på, kan den starte uventet og føre til alvorlig personskade.
- Aldri bruk maskinen hvis strømkabelen er skadet. Ellers kan det forekomme elektrisk støt.
- Ikke bruk maskinen hvis ikke bryteren kan slås på og av. La et autorisert Makita-servicesenter bytte ut defekte brytere.

Start/stopp-spak

For å starte maskinen, trykk og hold inne sperreknappen (2), og trekk deretter start/stopp-spaken helt (1), og hold den. Når du trekker i start/stopp-spaken, trenger du ikke å holde sperreknappen.

Maskinen stoppes ved ganske enkelt å slippe start/stopp-spaken.

Justere vinkelen på håndtaket

Du kan forandre vinkelen på det øvre håndtaket.

- 1) Lås opp håndtaksklammene (6).
- 2) Juster vinkelen på det øvre håndtaket (3).
- 3) Lås håndtaksklammene igjen.

Høydejustering

Juster høyden på skjæreverktøyet etter tilstanden til gresset.

Se tabellen nedenfor for en grov indikasjon på dybdeinnstillingen.

| Høyde | Bruk | |
|--------|--|--|
| | Harving | Raking (tilleggsutstyr) |
| +5 mm | For transport og lagring. Harving av sensitiv plen. Avteking av tynne lag. Andre harveoperasjon om høsten. | For transport og lagring. Raking av normal plen. |
| 0 mm | Harving av normal plen. Avteking av normalt lag. | Raking gjennom tykk plen. |
| -5 mm | Harving av normal plen. Avteking av tykt lag. | Må IKKE brukes til rakearbeid. |
| -10 mm | Harving gjennom tykk plen. Avteking av tykt lag. | Må IKKE brukes til rakearbeid. |

Endre høyden

Press høydejusteringsspaken (12) utover og flytt til ønsket posisjon.

Overbelastningsvern

Maskinen er utstyrt med overbelastningsvern, og det fungerer under følgende situasjoner:

- Skjæreverktøyet tilstoppes fordi det harvede materialet samles opp rundt det.
- Maskinen prøver å harve mer enn motoren kan håndtere.
- Noe hindrer skjæreverktøyet i å rotere.

Når dette vernet fungerer, slås maskinen av automatisk.

Hvis det skjer, plugg fra maskinen, vent til den kjøles av og fjern årsaken til overbelastningen før du starter maskinen igjen.

BRUK

Brukertips:

- Klipp gresset før bruk og gjødsle etter bruk.
- Juster dybden på skjæreverktøyet etter høyden på gresset samt været.
- Må ikke brukes på vått gress. Det fester seg til utløpsporten og andre deler av maskinen. Det kan også gjøre at du glir og faller.
- Ikke gå for fort. Dytt maskinen sakte. Ellers kan utslippporten bli tilstoppet og motoren kan bli overbelastet.
- Arbeid langs en så rett linje som mulig.
- Lag lett overlappende harvelinjer. Det vil holde en jevn og smidig overflate.

- Når et blomsterbed tas med i arbeidsområdet, går du én eller to ganger i sirkel rundt blomsterbedet.
- Vær spesielt forsiktig når du snur maskinen.
- Ikke stå på ett sted. Det skader gresset.

Tips for harving:

- Vurder alltid været. Varme, sol og vått vær er godt for harving, fordi plenen kan komme seg igjen på en sunn måte. På den annen side bør du unngå kaldt, varmt og tørt vær.
- Harve plenen om våren.
- Hvis sommeren er våt, harve plenen tidlig på høsten.
- Unngå å harve i perioder med svært varmt vær.
- Hvis sommeren er svært tørr, ikke harve om høsten.

Tips for raking:

- Det kreves mye luft for området rundt røttene til plenen for å opprettholde sunn vekst i vårsongen.
- Det anbefales å utføre lufting i plenen hver 4–6 uker i henhold til plensens tilstand.

VEDLIKEHOLD

⚠ FORSIKTIG:

- Forsikre deg alltid om at maskinen er slått av og plagget fra før du utfører inspeksjon eller vedlikehold.
- Ha på vernehansker før du utfører inspeksjon eller vedlikehold.
- Skjæreanordningen stopper ikke umiddelbart etter at den er slått av. Vent til alle delene har stoppet før du utfører vedlikeholdsarbeid.
- Kontroller at alt verktøyet er fjernet etter vedlikeholdsarbeid.
- Bruk aldri bensin, rensbensin, tynner, alkohol eller lignende til rengjøring. Det kan føre til misfarging, deformasjon eller sprekkdannelse. Bruk bare fuktet klut og myk børste til rengjøring av maskinen.
- Ikke bruk slange eller rengjør maskinen med høytrykksspyler.

Vær oppmerksom på følgende punkter under transport av maskinen:

- Slå av motoren, plugg fra og vent til skjæreverktøyet stopper.
- Juster dybden på skjæreverktøyet til transporthøyde.
- Transporter alltid maskinen etter håndtaket.
- Unngå tunge støt eller kraftig vibrasjon.

- Sikre maskinen godt hvis den transporteres på et kjøretøy.

Utfør følgende trinn etter hver operasjon:

- Slå av motoren, plugg fra og vent til skjæreverktøyet stopper.
- Rengjør gressfangeren. Lagre den i et tørt rom.
- Kontroller, rengjør og lagre maskinen i et tørt rom.

Utfør følgende arbeid med jevne mellomrom:

- Kontroller at alle klemmene, som skruer, muttere osv. er godt strammet.
- Se etter defekter, som løse, slitte eller skadde deler. Skift dem ut hvis nødvendig.
- Kontroller at deksler og vern ikke er skadet eller deformert.
- Hvis maskinen begynner å vibrere unormalt mye under bruk, kan det være forårsaket av et ubalansert eller deformert skjæreverktøy på grunn av slag fra fremmedlegemer. Få skjæreverktøyet reparert eller skiftet ut av et autorisert servicesenter hvis dette skjer.
- Skjæreverktøyet slites ut med tiden. Kontroller tilstanden til skjæreverktøyet og stabiliteten med jevne mellomrom. Skift ut hvis det er slitt eller blir sløvt.
- Rengjør og smør alle skruedeler før lagring.

ADVARSEL: Før du undersøker problemer, slå av maskinen, trekk ut strømpluggen og vent til maskinen har stoppet helt.

| Problem | Mulig årsak | Løsning |
|---|--|--|
| Maskinen starter ikke. | Strømforsyningen er ikke pluggert inn. | Koble til strømforsyningen. |
| | Defekt strømledning. | Plugg ut med én gang. Be ditt autoriserte Makita-servicesenter om å reparere den. |
| | Defekt elektrisk krets. | Be ditt autoriserte Makita-servicesenter om å reparere den. |
| | Sperreknappen er ikke trykket. | Trykk på sperreknappen og trekk i start/stopp-spaken. |
| Det er knitrelyder i maskinen. | Fremmedmaterialer har satt seg fast i skjæreverktøyet. | Slå av motoren, plugg fra og vent til skjæreverktøyet stopper. Fjern deretter fremmedmaterialet. |
| Det kommer rare lyder fra maskinen. | Defekt drivreim. | Be ditt autoriserte Makita-servicesenter om å reparere den. |
| Maskinen når ikke sin maksimale effekt. | Strømkilden har lavere spenning enn påkrevd. | Prøv en annen strømkilde. Kontroller om riktig strømkilde benyttes. |
| | Luftventilene er tilstoppet. | Rengjør luftventilene. |
| Dårlig resultat. | Gresset er for høyt. | Klipp gresset før harving. |
| | Skjæreverktøyet er slitt eller skadet. | Skift ut. |
| | Harvet flate overstiger maskinens kapasitet. | Bare harve en flate som samsvarer med maskinens kapasitet. |
| | Den harvede dybden er ikke korrekt. | Juster dybden på skjæreverktøyet. |

TILLEGGSUTSTYR

⚠ FORSIKTIG:

- Dette tilleggsutstyret eller disse tilslutningene anbefales for bruk med Makita-verktøyet som er spesifisert i denne håndboken. Bruk av annet tilleggsutstyr eller andre tilslutninger kan gi fare for personskade. Bare bruk tilleggsutstyr eller tilslutninger til det de er beregnet for.
- Hvis du trenger hjelp og mer informasjon om dette tilleggsutstyret, kan du ta kontakt med ditt lokale Makita-servicesenter.

Det er flere typer skjæreverktøy:

- Harveblad – den skarpe kanten på et blad harver jorda og kutter røtter.
- Rakeblad (tilleggsutstyr) – fjerner plenen og løv med fine nåler.
- 2-i-1-blad (tilleggsutstyr) – raking og harving på samme tid.

MERK:

- Enkelte artikler på listen kan være inkludert i pakken med verktøyet som standard tilbehør. Dette kan variere fra land til land.

Kun for europeiske land

EC-samsvarserklæring

Makita erklærer at følgende maskin(er):

Maskinbetegnelse:

Elektrisk harve

Modellnr./type: UV3600

i samsvar med følgende europeiske direktiver:

2000/14/EC med tillegg 2005/88/EC, 2006/42/EC,
2004/108/EC, 2011/65/EU

De er produsert i henhold til følgende standard eller
standardiserte dokumenter:

EN60335, EN13684

Den tekniske mappen i samsvar med 2006/42/EC er
tilgjengelig fra:

Makita, Jan-Baptist Vinkstraat 2, 3070, Belgia

Prosedyren for samsvarsvurdering, som kreves av
direktiv 2000/14/EC, fulgte tillegg V.

Målt lydeffektnivå: 99,53 dB (A)

Garantert lydeffektnivå: 104 dB (A)

21.11.2014



Yasushi Fukaya
Direktør

Makita, Jan-Baptist Vinkstraat 2, 3070, Belgia

VAROITUS: Laitetta voivat käyttää vähintään 8-vuotiaat lapset ja henkilöt, joilla on heikentyneitä fyysisiä, aisti- tai henkisiä kykyjä tai joilta puuttuu kokemus ja tieto, jos he ovat saaneet valvontaa tai opastusta laitteen turvallisesta käytöstä ja ymmärtävät laitteen käyttöön liittyvät vaarat. Lapset eivät saa leikkiä laitteella. Lapset eivät saa suorittaa puhdistamista ja käyttäjän kunnossapitotoimia ilman valvontaa.

OSIEN NIMET (Kuva 1)

- | | | |
|-------------------------------|------------------------|-----------------------------|
| 1. Käynnistys/pysäytysvipu | 7. Vipu | 13. Terä |
| 2. Lukituksen vapautuspainike | 8. Kiinnitin (x2) | 14. Pultti ja jousialuslevy |
| 3. Ohjaustangon yläosa | 9. Ruuhonkerääjä | 15. Laakeri |
| 4. Ohjaustangon alaosa | 10. Ohjauslevyn suoju | 16. Käyttöakseli |
| 5. Johdon vedonpoistin | 11. Nuppi | |
| 6. Ohjaustangon kiinnike | 12. Korkeudensäätövipu | |

TEKNISET TIEDOT

| | |
|--|--|
| Mallinimi | UV3600 |
| Jännite | 230–240 V |
| Taajuus | 50 Hz |
| Nimellisottoteho | 1 800 W |
| Nettopaino | 15,3 kg |
| Nopeus ilman kuormaa | 3 500 min ⁻¹ |
| Suurin leikkausleveys | 360 mm |
| Työskentelykorkeusalue | 4 porrasta (-10/-5/0/5 mm) |
| Ruuhonkerääjän tilavuus | 40 L |
| Suojausluokka | IPX4 |
| Äänenpainetaso | 81,24 dB (A), K= 2,50 dB (A) |
| Äänenpainetaso käyttäjän korvan kohdalla | 85,5 dB (A), K= 2,50 dB (A) |
| Mitattu äänen tehotaso | 99,53 dB (A), K= 4,50 dB (A) |
| Taattu äänen tehotaso | 104 dB (A) |
| Tärinä | 4,673 m/s ² , K= 1,5 m/s ² |

SYMBOLIT

Laitteessa on käytetty seuraavia symboleja. Varmista ennen käyttöä, että ymmärrät niiden merkityksen.



• Lue käyttöohje.



• Noudata erityistä varovaisuutta.



• Kaksinkertainen eristys.



• Käytä suojakäsineitä.



• Käytä tukevia saappaita, joissa on karhennettu antura.



• Käytä suojalaseja ja kuulosuojaimia.



• Odota, kunnes kaikki laitteen osat ovat pysähtyneet.



• Kiinnitä huomiota teräviin teriin.



• Sammuta moottori ja irrota pistorasiasta ennen puhdistusta tai huoltoa tai jos virtajohto on vaurioitunut.



• Esineitä voi sinkoutua ulos suurella nopeudella.



• Säilytä turvallinen etäisyys sivustakatsojien tai lemmikkien ja työskentelyalueen välillä.



• Älä altista laitetta sateelle tai kosteudelle.



• Irrota pistoke verkkovirrasta heti, jos virtajohto vaurioituu tai katkeaa.



• Sähköiskun vaara.



• Pidä johto loitolla teristä tai pyöristä.



• Vain EU-maat

Älä hävitä sähkölaitteita tavallisen kotitalousjätteen mukana!

Käyttöikänsä lopun saavuttaneet sähkölaitteet on Euroopan sähkö- ja elektroniikkalaiteromua koskevan direktiivin ja sen kansallisen toteutuksen mukaan toimitettava ongelmajätteen keräyspisteeseen ja ohjattava ympäristöystävälliseen kierrätykseen.

TURVALLISUUSOHJEET

LUE HUOLELLISESTI ENNEN KÄYTTÖÄ
SÄILYTÄ KÄYTTÖOPAS MYÖHEMPÄÄ KÄYTTÖOPAS TARVETTA VARTEN



Älä aloita koneen käyttöä, ennen kuin olet lukenut nämä käyttöohjeet. Noudata kaikkia annettuja ohjeita ja asenna laite kuvatulla tavalla.

Koneen käyttötarkoitus

- Tämä laite on tarkoitettu karhintaan tai haravointiin puutarhoissa.
- Karhin on tarkoitettu vain yksityiseen käyttöön, ei kaupalliseen käyttöön. Sitä ei myöskään saa käyttää julkisilla paikoilla.

220 ja 250 voltin matalajännitteiset jakeluverkot.

Sähkölaitteiden käynnistys ja sammutus aiheuttavat jännitevaihteluita. Tämän laitteen käyttö epävakaa verkossa saattaa haitata muiden laitteiden toimintaa. Haittavaikutuksia ei ole odotettavissa, jos verkon impedanssi on enintään 0,412 ohmia. Verkkopistokkeessa, johon tämä laite kytketään, on oltava sulake tai hidas vikavirtasuojaus.

Yleisohjeet

- Lue tämä käyttöopas perehtyäksesi laitteen käsittelyyn. Jos tottumattomat käyttäjät käyttävät laitetta, se lisää tulipalon, sähköiskun ja heidän tai muiden ihmisten henkilövahinkojen riskiä.
- Älä lainaa laitetta henkilöille, joilla ei ole kokemusta sen käytöstä.
- Jos lainaat laitetta, anna aina tämä käyttöopas mukaan.
- Laitetta ei ole tarkoitettu sellaisten henkilöiden käyttöön, joilla on heikentyneitä fyysisiä, aisti- tai henkisiä kykyjä tai joilta puuttuu kokemus ja tieto. Pieniä lapsia täytyy valvoa, jotta he eivät pääse leikkimään laitteella.
- Käytä laitetta vain, jos terveydentilasi on hyvä. Tee kaikki työt rauhallisesti ja huolellisesti. Käyttäjällä on vastuussa kaikkien henkilöiden

turvallisuudesta ja vahingoista käyttöalueen ympärillä.

- Älä koskaan käytä laitetta, jos olet käyttänyt alkoholia tai huumeita tai jos olet väsynyt tai sairas.
- Pidä taukoja uupumuksen aiheuttaman hallinnan menetyksen välttämiseksi. Kerran tunnissa kannattaa pitää 10–20 minuutin tauko.
- Käytä laitetta näiden ohjeiden mukaisesti ottaen työskentelyolosuhteet ja käyttötarkoituksen huomioon. Laitteen käyttäminen vahingossa voi aiheuttaa vaaratilanteen.
- Kansalliset tai paikalliset määräykset voivat rajoittaa laitteen käsittelyä.
- Pysy valppaana. Katso mitä teet. Käytä tervettä järkeä. Älä käytä laitetta, kun olet väsynyt.

Henkilösuojaimet

- Pukeudu asianmukaisesti. Käytettävien vaatteiden täytyy olla toimivia ja asianmukaisia. Niiden tulee olla tyköistuvia, mutta ne eivät saa haitata. Älä käytä koruja tai vaatteita, jotka voisivat sotkeutua laitteeseen. Suojaa pitkät hiukset.
- Käytä aina kuulosuojaimia kuulonaleneman välttämiseksi.
- Käytä suojalaseja silmien suojaamiseksi lentäviltä esineiltä ja roskilta.
- Käytä suojakäsineitä sormivammojen estämiseksi.

- Käytä hengityssuojainta vammojen vaaran vähentämiseksi.
- Kun käytät laitetta, käytä aina tukevia kenkiä, joissa on luistamaton pohja. Ne suojaavat vammoilta ja varmistavat hyvän jalansijan.
- Kun käytät laitetta, käytä aina tukevia kenkiä ja pitkiä housuja. Älä käytä laiteta paljain jaloin tai avoimet sandaalit jalassa.

Työskentelyalueen turvallisuus

- Pidä lapset ja sivustakatsojat, myös eläimet, loitolla, kun käytät laitetta.
- Tarkista, etteityöskentelyalueella ole kiviä, rautalankaa, lasia tai muita vieraita esineitä. Vieraat esineet voivat juuttua laitteeseen tai lentää siitä ulos aiheuttaen vaurioita tai vammoja.
- Käytä laitetta vain päivänvalossa ja kun näkyvyys on hyvä. Älä käytä laitetta pimeässä tai sumussa.
- Älä käytä laitetta tiloissa, joissa on räjähdysvaara (esimerkiksi palavia nesteitä, kaasuja tai pölyä). Laite synnyttää kipinöitä, jotka voivat sytyttää pölyn tai kaasun.
- Älä altista laitetta sateelle tai kosteille olosuhteille. Laitteeseen päässyt vesi voi suurentaa sähköiskun vaaraa.

Laitteen käynnistäminen

- Ennen pistokkeen liittämistä tai laitteen käynnistämistä:

- Tarkista, että pistoke ja johto ovat hyvässä kunnossa.
- Tarkista, että kaikki ruuvit, mutterit ja muut kiinnikkeet on kiristetty kunnolla.
- Tarkista, että terät ovat paikallaan ja hyvässä toimintakunnossa.
- Tarkista, että suojukset ja turvalaitteet, kuten ohjauslevytjaruohonkerääjä, toimivat oikein.
- Tarkista, että pöly tai muu vieras aine ei ole peittänyt ilmanvaihtoaukkoja. Puhdista ne pehmeällä harjalla tai liinalla, jos ne ovat tukkeutuneet.
- Vaihda tarrat, jotka ovat vahingoittuneet tai joita ei voi lukea.
- Tarkista kaikki laitteen osat huolellisesti ja varmista, että se toimii oikein ja tarkoituksenmukaisesti. Älä koskaan käytä laitetta, jos kytkin ei toimi normaalisti.
- Vahingossa tapahtuvan käynnistymisen estämiseksi varmista, että kytkin on off-asennossa.
- Tarkista, että kaikki huollossa käytetyt työkalut, kuten säätöavain tai kiintoavain, on poistettu.
- Jos virtajohto on vaurioitunut, pyydä Makitan valtuutettua huoltokeskusta vaihtamaan; käytä aina alkuperäisiä varaosia.

- Älä koskaan käytä laitetta, jos turvalaite, kuten ohjauslevyn suojus tai ruohonkerääjä on vaurioitunut tai puuttuu.
- Kun moottoria käynnistetään:
 - Pidä jalat loitolla teristä.
 - Älä kallista laitetta.
 - Älä seiso poistoaukon edessä.
 - Älä anna koskaan käsien, muiden kehonosien tai vaatteiden joutua liikkuvien osien lähelle.

Sähköturvallisuus

- Tarkista ennen käyttöä, että laitteen liitinpistoke sopii pistorasiaan.
- Älä koskaan muuta liitinpistoketta.
- Älä käsittele virtajohtoa huonosti. Älä koskaan kannata tai vedä laitetta virtajohdosta tai irrota sitä pistorasiasta johdosta vetämällä. Suojaa virtajohto kuumuudelta, öljyltä, teräviltä reunoilta ja liikkuvilta osilta. Vahingoittunut tai kiinni tarttunut virtajohto suurentaa sähköiskun vaaraa.
- Tarkista jatkojohdon eristeen kunto säännöllisesti. Vaihda, jos se on vaurioitunut.
- Jos liitosjohto vaurioituu, irrota se heti verkkopistokkeesta. Vaurioitunut johto voi aiheuttaa kontaktin jännitteisiin osiin ja sähköiskun.
- Älä koskaan käytä vaurioitunutta johtoa.
- Pidä johto ja jatkojohto loitolla teristä ja pyöristä. Terät voivat vaurioittaa johtoa ja aiheuttaa sähköiskun.
- Kun laitetta käytetään ulkona, käytä aina vikavirtakatkaisinta, jonka laukaisuvirta on enintään 30 mA.
- Käytä ulkokäytössä vain jatkojohtoa, jossa on roiskesuojattu pistoke. Sen poikkileikkauksen täytyy olla vähintään 1,5 mm², kun johto on enintään 25 m pitkä, ja 2,5 mm², kun johto on yli 25 m pitkä.
- Laitteen saa kytkeä ainoastaan virtalähteeseen, jonka jännite on sama kuin tyyppikilvessä ilmoitettu. Laitetta voidaan käyttää ainoastaan yksivaiheisella vaihtovirralla. Laite on kaksinkertaisesti suojaeristetty eurooppalaisten standardien mukaisesti, ja se voidaan tästä syystä kytkeä myös maadoittamattomaan pistorasiaan.
- Vältä vartalokosketusta maadoitettuihin pintoihin (esim. putkiin, lämpöpattereihin, liesiin, jääkaappeihin) käytön aikana.

Käyttö

- Vältä käyttöä märässä ruohossa. Ole erityisen varovainen työskennellessäsi märässä ruohossa liukastumisen välttämiseksi.
- Pidä kahvasta lujasti kiinni molemmin käsin käytön aikana.

- Onnettomuuksien välttämiseksi kahva kuivana ja puhtaana.
- Älä juokse vaan kävele käytön aikana.
- Kiinnitä erityistä huomiota jalansijoihin työskennellessäsi rinteessä.
- Älä koskaan työskentele suoraan ylös tai alas rinteessä. Työskentele aina vaakasuunnassa.
- Ole erityisen varovainen kääntäessäsi laitetta rinteessä.
- Älä koskaan työskentele jyrkässä rinteessä.
- Ole erityisen varovainen, kun peruutat tai vedät laitetta itseäsi kohti.
- Älä kurkota. Säilytä aina tukeva jalansija ja tasapaino. Näin säilytät paremmin laitteen hallinnan odottamattomissa tilanteissa.
- Muista aina:
 - Pidä jalat loitolla teristä.
 - Älä kallista laitetta.
 - Älä seiso poistoaukon edessä.
 - Älä anna koskaan käsien, muiden kehonosien tai vaatteiden joutua liikkuvien osien lähelle.
- Älä käytä laitetta väkisin. Se tekee työn paremmin ja turvallisemmin nopeudella, jolle se on suunniteltu. Toistuva ylikuormitus voi aiheuttaa moottoririkon tai tulipalon.
- Sammuta moottori ja irrota pistoke:

- Aina kun laite jätetään ilman valvontaa
- Ennen tukoksen tai muun vian poistamista
- Ennen laitteen tarkistusta, puhdistusta tai sen parissa työskentelyä
- Ennen säätöjen tekemistä, tarvikkeiden vaihtamista tai varastointia
- Kun laite osuu vieraaseen esineeseen. Odota, kunnes laite on jäähtynyt. Tarkasta laite ja vaihda tarvittavat osat ennen käytön jatkamista
- Aina, kun laite alkaa täristä tai tuottaa epätavallista ääntä
- Kun ruohonkerääjä kiinnitetään tai irrotetaan
- Kun joku tulee työskentelyalueelle
- Kun ylitetään muuta kuin ruohopintaa
- Kuljetuksen ajaksi.
- Pysäytä terä:
 - Jos laitetta täytyy kallistaa
 - Kun ylitetään muuta kuin ruohopintaa
 - Laitetta siirretään työskentelypinnalle ja pois sieltä.
- Kiinnitä huomiota teriin. Ne eivät pysähdy välittömästi virran katkaisemisen jälkeen.

Huolto-ohjeet

- Anna valtuutetun huoltokeskuksen huoltaa laite käyttäen aina alkuperäisiä varaosia. Virheellinen huolto ja

puutteellinen kunnossapito voi lyhentää laitteen käyttöikää ja lisätä tapaturmien vaaraa.

- Tarkista laite säännöllisesti.
- Toimi seuraavasti ennen huoltoa, tarkastusta, säätöä, varastointia tai tarvikkeen vaihtoa:
 - Katkaise virta
 - Irrota laite virtalähteestä
 - Varmista, että kaikki liikkuvat osat ovat pysähtyneet kokonaan
 - Anna laitteen jäähtyä.
- Tarkasta laite mahdollisten vaurioiden varalta:
 - Toimivatko turvalaitteet tarkoituksenmukaisesti
 - Toimivatko kaikki liikkuvat osat pehmeästi ja riittävästi
 - Ovatko kaikki osat vahingoittumattomia ja oikein asennettuja
 - Tarkista, onko terä vaurioitunut, kulunut tai epätasapainossa
 - Tarkista säännöllisesti, onko ruohonkerääjä vaurioitunut tai kulunut
 - Tarkista, että kaikki mutterit, pultit ja ruuvit ovat tiukassa
 - Jos vahingoittuneita tai kuluneita osia on, anna valtuutetun huoltokeskuksen vaihtaa tai korjata ne.
- Älä koskaan tee muita kuin tässä ohjeessa kuvattuja huolto- tai korjaustöitä. Muut työt on teetettävä Makitan valtuutetussa huoltokeskuksessa.
- Käytä vain alkuperäisiä, kyseiseen malliin tarkoitettuja

Makita-varaosia ja lisävarusteita. Muuten seurauksena voi olla vammoja tai laitteen vaurioituminen.

- Säilytä laitetta kuivassa huoneessa. Pidä se pois lasten ulottuvilta. Älä koskaan säilytä laitetta ulkona.

Tärinä

- Voimakas tärinä voi aiheuttaa heikosta verenkierrosta kärsiville ihmisille verisuoni- tai hermostovammoja. Tärinä voi aiheuttaa seuraavia oireita sormissa, käsissä tai ranteissa: puutumista (tunnottomuutta), pistelyä, kipua, pistoksia, ihonvärin tai ihon muutoksia. Jos tällaisia oireita esiintyy, hakeudu lääkärin hoitoon.
- Valkosormisuuden vaaran välttämiseksi pidä kädet lämpiminä käytön aikana ja pidä laitteista ja tarvikkeista hyvää huolta.

⚠ VAROITUS:

- Tämä laite tuottaa sähkömagneettisen kentän käytön aikana. On suositeltavaa, että henkilöt, joilla on lääketieteellisiä implantteja, neuvottelevat lääkärinsä ja implantin valmistajan kanssa ennentämän laitteen käyttämistä. Muuten sähkömagneettinen kenttä voi vaikuttaa lääketieteellisiin implantteihin aiheuttaen vakavan vamman.

KOKOAMINEN

⚠ HUOMIO:

- Varmista aina ennen laitteelle tehtävien toimenpiteiden suorittamista, että se on sammutettu ja irrotettu pistorasiasta.

Ohjaustangon kokoaminen (Kuva 2, 3)

- 1) Kiinnitä ohjaustangon alaosa (4) laitteeseen nupeilla (11).
- 2) Aseta ohjaustangon yläosa (3) alaosan päälle ja kiinnitä ne kahdella aluslevyllä, mutterilla ja vivulla (7).
- 3) Kiinnitä johto kiinnittimillä (8) ohjaustankoon.

Ruohonkerääjän kokoaminen

⚠️ HUOMIO:

- Älä käytä konetta ilman ruohonkerääjää. Muuten ulos sinkoava esine voi aiheuttaa vammoja.
- Käytettäessä taakse poistavia laitteita, joiden takatelat ovat näkyvissä, ilman kerääjää, on käytettävä suojalaseja.

HUOMAUTUS:

- Laitteen suorituskyky heikkenee, kun ruohonkerääjä on täynnä. Tyhjennä ruohonkerääjä säännöllisesti, ennen kuin se tulee aivan täyteen.

Ruohonkerääjän asentaminen

Vedä ohjauslevyn suojus (10) ylös ja pidä siitä kiinni. Aseta ruohonkerääjän koukut laitteen uriin.

Ruohonkerääjän irrottaminen

Vedä ohjauslevyn suojus (10) ylös ja pidä siitä kiinni. Irrota ruohonkerääjä vapauttamalla koukut laitteen urista.

Johdon vedonpoistin (Kuva 4)

Johdon vedonpoistin (5) auttaa estämään johtoa soikeutumasta terään tai pyörään.

Tee virtajohdon päähän pieni silmukka, vie se johdon vedonpoistimen aukon läpi ja ripusta se sitten koukkuun.

Ota aina johdon asento huomioon käytön aikana. Aloita käyttö virtalähteen läheltä, jotta johtoa ei vahingossa katkaistaisi. Johto kannattaa pitää olkapään alla käytön aikana.

Terän irrotus ja kiinnitys

⚠️ HUOMIO:

- Käytä suojakäsineitä.
- Ole hyvin varovainen käsitellessäsi terää. Se on hyvin terävä ja voi kuumentua käytön aikana.
- Käytä aina käyttöön sopivaa terää.
- Varmista ennen käyttöä, että kaksi pulttia, joilla terä on kiinnitetty laitteeseen, on kiristetty kunnolla. Älä käytä laitetta, jos pultti on löysällä tai puuttuu. Jos se on vaurioitunut, vaihda se välittömästi.

Terän irrottaminen

- 1) Irrota ruohonkerääjä (9).
- 2) Irrota kahva laitteesta.
- 3) Aseta laite ylösalaisin tasaiselle pinnalle.
- 4) Avaa kahta pulttia (14). Irrota ne ja jousialuslevyt.
- 5) Nosta terän laakeri (15) osa ylös ja vedä sitten terä (13) irti käyttöakseliilta (16).

Terän asentaminen

- 1) Asenna terä liu'uttamalla sen kuutiomutteriosa käyttöakselin istukkaan.
- 2) Kiinnitä laakeriosa laitteeseen pulteilla ja jousialuslevyillä.

TOIMINTOJEN KUVAUS

⚠️ VAROITUS:

- Tarkasta, että laitteen virtakytkin ei ole päällä, ennen kuin kytket laitteen verkkovirtaan. Laitteen kytkeminen kytkin päällä voi aiheuttaa odottamattoman käynnistymisen, josta voi seurata vakavia henkilövahinkoja.
- Älä koskaan käytä laitetta, jos virtajohto on vaurioitunut. Muuten seurauksena voi olla sähköisku.
- Älä käytä laitetta, jos se ei käynnisty ja sammuu kytkimestä. Anna Makitan valtuutetun huoltokeskuksen vaihtaa vialliset kytkimet.

Käynnistys/pysäytysvipu

Käynnistä laite pitämällä lukituksen vapautuspainike (2) painettuna ja vedä sitten käynnistys/pysäytysvipu (1) pohjaan ja pidä se siinä. Kun käynnistys/pysäytysvipua on vedetty, lukituksen vapautuspainiketta ei tarvitse painaa.

Sammuta laite vapauttamalla käynnistys/pysäytysvipu.

Ohjaustangon kulman säätö

Voit muuttaa ohjaustangon yläosan kulmaa.

- 1) Avaa ohjaustangon kiinnikkeet (6).
- 2) Säädä ohjaustangon yläosan (3) kulmaa.
- 3) Lukitse ohjaustangon kiinnikkeet uudelleen.

Korkeudensäätö

Säädä terän korkeutta ruohon tilan mukaan.

Katso karkeat syvyysasetukset alla olevasta taulukosta.

| Korkeus | Käyttö | |
|---------|---|---|
| | Karhinta | Haravointi (lisävaruste) |
| +5 mm | Kuljetus ja säilytys. Aran nurmikon karhinta. Ohuiden kerrosten karhinta. Toinen karhintatoimenpide syksyllä. | Kuljetus ja säilytys. Tavallisen nurmikon haravointi. |
| 0 mm | Normaalin nurmikon karhinta. Normaalin kerroksen karhinta. | Hoitamattoman, paksun nurmikon haravointi. |
| -5 mm | Normaalin nurmikon karhinta. Paksun kerroksen karhinta. | ÄLÄ käytä haravointiin. |
| -10 mm | Hoitamattoman, paksun nurmikon karhinta. Paksun kerroksen karhinta. | ÄLÄ käytä haravointiin. |

Korkeuden muuttaminen

Paina korkeudensäätövipua (12) ja siirrä se haluttuun asentoon.

Ylikuormitussuoja

Laitteessa on ylikuormitussuoja, joka toimii seuraavissa tilanteissa:

- Terä tukkeutuu, koska sen ympärille kerääntyy karhittavaa materiaalia.
- Laite yrittää karhita enemmän kuin moottori pystyy käsittelemään.
- Jokin estää terän pyörimisen.

Kun tämä suojaus toimii, laite sammuu automaattisesti.

Jos näin tapahtuu, irrota laite pistorasiasta, odota sen jäähtymistä ja poista sitten ylikuormituksen syy ennen laitteen käynnistämistä uudelleen.

KÄYTTÖ

Käyttövihjeitä:

- Leikkaa ruoho ennen käyttöä ja lannoita käytön jälkeen.
- Säädä terän syvyyttä ruohon pituuden ja sään mukaan.
- Vältä käyttöä määrässä ruohossa. Se tukkii poistoportin ja muita laitteen osia. Se voi aiheuttaa myös liukastumisen ja kaatumisen.
- Älä liiku liian nopeasti. Työnnä laitetta hitaasti. Muuten poistoportti voi tukkeutua ja moottori ylikuormittua.
- Toimi mahdollisimman suorassa linjassa.
- Tee hieman päällekkäin meneviä karhittuja linjoja. Tämä säilyttää tasaisen ja pehmeän pinnan.
- Jos käyttöalueella on kukkapenkki, tee kierros tai kaksi sen ympäri.
- Ole erityisen varovainen kääntäessäsi laitetta.
- Älä pysy yhdessä paikassa. Se vahingoittaa ruohoa.

Karhintavihjeitä:

- Ota aina sää huomioon. Lämmin, aurinkoinen ja märkä sää on hyvä karhittamiseen, koska nurmikko voi toipua terveesti. Toisaalta vältä kylmää, kuumaa ja kuivaa säää.
- Karhitse nurmikko keväällä.

- Jos kesä on märkä, karhitse nurmikko alkusyksystä.
- Vältä karhittamista erittäin kuumalla säällä.
- Jos kesä on hyvin kuuma, älä karhitse syksyllä.

Haravointivihjeitä:

- Nurmikon juurten ympärille tarvitaan paljon ilmaa kunnan kasvun säilyttämiseksi keväällä.
- Nurmikon tilan mukaan nurmikko kannattaa ilmastaa 4–6 viikon välein.

HUOLTO

⚠ HUOMIO:

- Varmista aina ennen tarkastuksia tai kunnossapitotoita, että laite on sammutettu ja irrotettu pistorasiasta.
- Käytä suojakäsineitä tarkastusta tai huoltoa suoritettaessa.
- Leikkuri ei pysähdy välittömästi virran katkaisemisen jälkeen. Odota ennen huoltotoimenpiteiden suorittamista, että kaikki osat ovat pysähtyneet.
- Varmista huollon jälkeen, että kaikki työkalut on poistettu.
- Älä koskaan käytä puhdistukseen bensiiniä, bentseeniä, tinneriä, alkoholia tai vastaavaa. Seurauksena voi olla värinmuutoksia, muodonmuutoksia tai murtumia. Puhdista laite käyttämällä vain kosteaa liinaa ja pehmeää harjaa.
- Älä pese tai puhdista laitetta korkeapaineisella vedellä.

Kun kuljetat laitetta, ota huomioon seuraavat seikat:

- Sammuta moottori, irrota virtapistoke ja odota, kunnes terä pysähtyy.
- Säädä terän syvyys kuljetuskorkeuteen.
- Kuljeta laitetta aina sen kahvasta.
- Vältä voimakkaita iskuja tai voimakasta tärinää.
- Kiinnitä laite kunnolla, jos se viedään ajoneuvoon.

Tee seuraavat toimet jokaisen käyttökerran jälkeen:

- Sammuta moottori, irrota virtapistoke ja odota, kunnes terä pysähtyy.
- Puhdista ruohonkerääjä. Säilytä sitä kuivassa huoneessa.

- Tarkista ja puhdista laite ja säilytä sitä kuivassa huoneessa.

Tee seuraavat toimet säännöllisin väliajoin:

- Tarkista, että kaikki kiinnikkeet, kuten ruuvit, mutterit yms., on kiristetty kunnolla.
- Tarkista, onko vikoja kuten löysiä, kuluneita tai vaurioituneita osia. Vaihda tarvittaessa.
- Tarkista, että kannet ja suojuukset eivät ole vaurioituneet tai vääntyneet.

- Jos laite alkaa täräistä epänormaalisti käytön aikana, syynä voi olla vieraiden esineiden iskuista aiheutunut terän epätasapaino tai vääntyminen. Jos näin tapahtuu, anna valtuutetun huoltokeskuksen korjata tai vaihtaa terä.
- Terä kuuluu ajan mittaa. Tarkista terän kunto ja vakaus säännöllisin väliajoin. Vaihda se, jos se on kulunut tai tylsynyt.
- Puhdista ja voitele kaikki ruuviosat ennen varastointia.

VIANMÄÄRITYS

VAROITUS: Ennen ongelmien ratkaisemista sammuta laite, irrota virtapistoke ja odota, kunnes laite on täysin pysähtynyt.

| Ongelma | Mahdollinen syy | Korjaus |
|-------------------------------------|---|--|
| Laite ei käynnisty. | Virtalähdettä ei ole kytketty. | Kytke virtalähde. |
| | Viallinen virtajohto. | Irrota välittömästi pistorasiasta. Pyydä paikallista valtuutettua Makita-huoltokeskusta korjaamaan se. |
| | Sähköpiirin vika. | Pyydä paikallista valtuutettua Makita-huoltokeskusta korjaamaan se. |
| | Lukituksen vapautuspainiketta ei ole painettu. | Paina lukituksen vapautuspainiketta ja vedä käynnistys/pysäytysvipua. |
| Laitteesta kuuluu säröilevää ääntä. | Terään on juuttunut vierasta ainetta. | Sammuta moottori, irrota virtapistoke ja odota, kunnes terä pysähtyy. Poista sitten vieras aine. |
| Laitteesta kuuluu outoa melua. | Käyttöhihnan vika | Pyydä paikallista valtuutettua Makita-huoltokeskusta korjaamaan se. |
| Laite ei saavuta maksimitehoaan. | Virtalähteen jännite on tarvittavaa alhaisempi. | Kokeile toista virtalähdettä. Tarkista, käytetäänkö asianmukaista virtalähdettä. |
| | Ilmanvaihtoaukut ovat tukossa. | Puhdista ilmanvaihtoaukut. |
| | Ruoho on liian pitkä. | Leikkaa ruoho ennen karhintaa. |
| Kehno tulos. | Terä on kulunut tai vaurioitunut. | Vaihda se. |
| | Karhintapinta ylittää laitteen kapasiteetin. | Karhitse vain koneen kapasiteetin mukainen pinta-ala. |
| | Karhintasyvyys on väärä. | Sääda terän syvyyttä. |

LISÄVARUSTE

⚠ HUOMIO:

- Seuraavia lisävarusteita tai -laitteita suositellaan käytettäväksi tässä ohjekirjassa kuvatun Makita-työkalun kanssa. Muiden lisävarusteiden tai -laitteiden käyttö voi aiheuttaa loukkaantumisvaaran. Käytä lisävarusteita tai -laitteita vain niiden käyttötarkoituksen mukaisesti.
- Jos tarvitset apua tai lisätietoja näistä lisävarusteista, ota yhteys paikalliseen Makita-huoltopisteeseen.

Teriä on useita tyyppejä:

- Karhintaterä – sen terävä reuna karhitsee maata ja leikkaa juuria.
- Haravointiterä (lisävaruste) – poistaa lehdet nurmikolta hienoilla neuiloilla.
- Kaksi yhdessä -terä (lisävaruste) – haravointi ja karhinta samaan aikaan.

HUOMAUTUS:

- Eräät luettelon nimikkeet voivat sisältyä työkalupakkaukseen vakiovarusteina. Ne saattavat vaihdella eri maissa.

Vain Euroopan maat

EY-vaatimustenmukaisuusilmoitus

Makita ilmoittaa, että seuraava(t) kone(et):

Laitteen nimi:

Sähkökarhi

Mallinro/tyyppi: UV3600

täyttävät seuraavat eurooppalaiset direktiivit:

2000/14/EY, muutettu 2005/88/EY, 2006/42/EY,
2004/108/EY, 2011/65/EU

ja se on valmistettu seuraavien standardien tai
standardoitujen asiakirjojen mukaisesti:

EN60335, EN13684

Direktiivin 2006/42/EY mukainen tekninen tiedosto on
saatavilla osoitteesta:

Makita, Jan-Baptist Vinkstraat 2, 3070, Belgia

Direktiivin 2000/14/EY vaatima vaatimustenmukai-
suusmenettely oli liitteen V mukainen.

Mitattu äänitehotaso: 99,53 dB (A)

Taattu äänitehotaso: 104 dB (A)

21.11.2014



Yasushi Fukaya

Johtaja

Makita, Jan-Baptist Vinkstraat 2, 3070, Belgia

BRĪDINĀJUMS! Šo instrumentu var ekspluatēt bērni vecumā no 8 gadiem un personas, kam ir ierobežotas fiziskās, sensorās vai psihiskās spējas vai trūkst pieredzes un zināšanu, ja šīs personas vai bērni tiek uzraudzīti vai apmācīti instrumenta drošā lietošanā un ja viņi izprot visus riskus saistībā ar to. Nedrīkst ļaut bērniem spēlēties ar instrumentu. Bērni drīkst tīrīt instrumentu un veikt tam apkopi tikai pieaugušo uzraudzībā.

DETAĻU APZĪMĒJUMI (1. att.)

- | | | |
|-------------------------------------|--------------------------|----------------------------------|
| 1. Iedarbināšanas/apturēšanas svira | 6. Roktura skava | 12. Augstuma regulēšanas svira |
| 2. Atbloķēšanas poga | 7. Svira | 13. Griezējinstrumentis |
| 3. Augšējais roktura stienis | 8. Skava (x2) | 14. Bultskrūve un atsperaplāksne |
| 4. Apakšējais roktura stienis | 9. Zāles savācējs | 15. Gultnis |
| 5. Vada nostiepējs | 10. Novirzītāja aizsargs | 16. Piedziņas vārpsta |
| | 11. Poga | |

TEHNISKIE DATI

| | |
|---|--|
| Modeļa nosaukums | UV3600 |
| Spriegums | 230-240 V |
| Frekvence | 50 Hz |
| Nominālā ieejas jauda | 1 800 W |
| Neto svars | 15,3 kg |
| Ātrums bez noslodzes | 3 500 min ⁻¹ |
| Maksimālais griešanas platums | 360 mm |
| Darba augstuma diapazons | 4 pakāpes (-10/-5/0/5 mm) |
| Zāles savācēja tilpums | 40 l |
| Aizsardzības klase | IPX4 |
| Skaņas spiediena līmenis | 81,24 dB (A), K= 2,50 dB (A) |
| Skaņas spiediena līmenis pie operatora auss | 85,5 dB (A), K= 2,50 dB (A) |
| Izmērtais skaņas jaudas līmenis | 99,53 dB (A), K= 4,50 dB (A) |
| Garantētais skaņas jaudas līmenis | 104 dB (A) |
| Vibrācija | 4,673 m/s ² , K= 1,5 m/s ² |

APZĪMĒJUMI

Uz šo iekārtu attiecas turpmāk redzami simboli. Pirms iekārtas lietošanas ir jāizprot to nozīme.



• Izlasiet lietošanas rokasgrāmatu.



• Ievērojiet īpašu uzmanību un piesardzību.



• Dubulta izolācija.



• Valkājiet aizsargcimdus.



• Valkājiet stingrus apavus ar neslīdošu zoli.



- Valkājiet acu un ausu aizsargus.



- Nogaidiet, līdz visas iekārtas detaļas ir pilnībā apstājušās.



- Uzmanieties no asiem griezējinstrumentiem.



- Pirms tīrīšanas vai apkopes darbiem vai barošanas vada bojājuma gadījumā izslēdziet motoru un atvienojiet no barošanas avota.



- Priekšmeti var tikt izsviesti ar lielu ātrumu.



- Saglabājiet drošu attālumu no citām personām vadošajiem darba zonā.



- Nepakļaujiet iekārtu lietus un mitruma iedarbībai.



- Nekavējoties atvienojiet kontaktdakšu no barošanas avota, ja kabelis ir bojāts vai sagriezts.



- Elektriskās strāvas trieciena risks.




- Netuviniet vadu griezējinstrumentiem vai riteņiem.



- Tikai ES valstīm
Neizmetiet elektriskās iekārtas sadzīves atkritumos!
Ievērojot Eiropas Direktīvu par elektrisko un elektronisko iekārtu atkritumiem, un īstenojot to saskaņā ar valsts tiesību aktiem, visas elektriskās iekārtas, kam beidzies ekspluatācijas laiks, jāsavāc atsevišķi un jānodod videi nekaitīgā pārstrādes iekārtā.

DROŠĪBAS BRĪDINĀJUMI

PIRMS LIETOŠANAS TOS RŪPĪGI IZLASIET SAGLABĀJIET ŠO ROKASGRĀMATU TURPMĀKĀM UZZIŅĀM

 Nesāciet ekspluatēt iekārtu, kamēr neesat izlasījis šo rokasgrāmatu. Ievērojiet visus šeit minētos norādījumus un uzstādiet iekārtu, kā norādīts.

Iekārtas paredzētā lietošana

- Šī iekārta ir paredzēta dārza zāliena skarificēšanai un uzirdināšanai.
- Skarifikators ir paredzēts tikai individuālai lietošanai, ne komerciālai. Tāpat neekspluatējiet to sabiedriskās vietās.

Ir paredzēts barošanai no zemsprieguma elektrības tīkliem ar spriegumu no 220 V līdz 250 V.

leslīdzot elektriskās ierīces rodas sprieguma fluktuācija. Šīs ierīces darbināšana nelabvēlīgajos elektropadeves apstākļos var pasliktināt citu iekārtu darbību. Ja barošanas tīkla pilnā pretestība ir mazāka par 0,412 Omiem, var uzskatīt, ka negatīvu efektu nebūs. Elektrotīkla kontakligzdai, kurai ir pievienota šī ierīce, jābūt aizsargātai ar drošinātāju vai slēgiekārtu ar iedarbošanās aizkavi.

Vispārīgi noteikumi

- Izlasiet šo rokasgrāmatu, lai iepazītos ar šīs iekārtas lietošanas principiem. Ja iekārtu lieto personas, kas to pietiekami labi nepārzina, palielinās aizdegšanās un elektriskās strāvas trieciena risks, kā arī risks gūt ievainojumus un izraisīt tos citām personām.
- Nenododiet iekārtu tādu personu rokās, kuras neprot ar to rīkoties.
- Iekārta jānodod citas personas lietošanā tikai kopā ar šo rokasgrāmatu.
- Iekārtu nav paredzēts ekspluatēt personām, kam ir ierobežotas fiziskās, sensorās vai psihiskās spējas vai trūkst pieredzes un zināšanu. Bērni jāuzrauga, lai viņi nespēlētu ar iekārtu.

- Strādājiet ar iekārtu tikai tad, ja esat labā fiziskā stāvoklī. Veiciet darbu mierīgi un uzmanīgi. Operators atbild par visu apkārtējo personu drošību un nodarītajiem bojājumiem darba zonā.
- Neekspluatējiet iekārtu, ja esat alkohola reibumā vai narkotiku ietekmē vai ja jūtaties noguris vai sasirdzis.
- Atpūties, lai noguruma dēļ nezaudētu kontroli pār iekārtu. Ieteicams ik pēc stundas atpūsties 10-20 minūtes.
- Ekspluatējiet iekārtu saskaņā ar šiem noteikumiem, ņemot vērā darba apstākļus un veicamā darba specifiku. Lietojot iekārtu tā, kā nav paredzēts, var rasties bīstami apstākļi.
- Valsts vai vietējos tiesību aktos var būt noteikti ierobežojumi attiecībā uz iekārtas lietošanu.
- Saglabājiet modrību. Skatieties, ko jūs darāt. Esiet saprātīgs. Nestrādājiet ar iekārtu, ja esat noguris.

Personīgais aizsargaprīkojums

- Valkājiet piemērotu apģērbu. Valkātajam apģērbam jābūt funkcionālam un piemērotam, t.i., tam jābūt cieši pieguļošam, taču tas nedrīkst ierobežot kustības. Nevalkājiet tādas rotaslietas vai apģērbu, kas var ieķerties iekārtā. Valkājiet piemērotu galvassegu, lai apsegtu garus matus.

- Vienmēr valkājiet ausu aizsargus, lai nebojātu dzirdi.
- Valkājiet aizsargbrilles, lai pasargātu acis no gaisā izsviesti priekšmetiem un netīrumiem.
- Valkājiet aizsargcimdus, lai nesavainotu pirkstus.
- Valkājiet putekļu masku, lai mazinātu ievainojuma risku.
- Eksploatējot iekārtu, jāvalkā izturīgi apavi ar neslīdošu zoli. Tie nodrošina stabilu stāju un mazina risku gūt ievainojumus.
- Strādājot ar iekārtu, vienmēr valkājiet stabilus apavus un garās bikses. Nestrādājiet ar iekārtu, ja jums ir basas kājas vai kājās ir vaļējas sandales.

Darba zonas drošība

- Strādājot ar iekārtu, neļaujiet tuvumā atrasties bērniem un nepiederošām personām, kā arī dzīvniekiem.
- Pārbaudiet, vai darba zonā nav akmeņu, stieplu, stikla vai citu svešķermeņu. Svešķermeņi var iekerties iekārtā vai tikt izsviesti no tās, tādējādi izraisot bojājumus vai ievainojumus.
- Strādājiet ar iekārtu tikai labas redzamības apstākļos un dienasgaismā. Nestrādājiet ar iekārtu tumsā un miglas apstākļos.
- Iekārtu nedrīkst darbināt sprādzienbīstamā vidē, piemēram, viegli uzliesmojošu šķidrumu, gāzu vai putekļu tuvumā. Iekārta rada dzirksteles,

kas var aizdedzināt putekļus vai izgarojumus.

- Nepakļaujiet iekārtu lietus vai mitru laika apstākļu iedarbībai. Ūdenim iekļūstot iekārtā, palielināsies elektriskās strāvas trieciena risks.

Iekārtas iedarbināšana

- Pirms kontaktdakšas pievienošanas kontaktligzdai vai iekārtas ieslēgšanas:
 - pārbaudiet, vai kontaktdakša un vads ir labā stāvoklī;
 - pārbaudiet, vai visasskrūves, uzgriežņi un citi stiprinājumi ir cieši nostiprināti;
 - pārbaudiet, vai griežējinstrumenti ir uzstādīti un ir labā darba stāvoklī;
 - pārbaudiet, vai aizsargi un drošības ierīces, piemēram, novirzītāji un zāles savācējs, darbojas labi;
 - pārbaudiet, vai gaisa atveres nav nosprostotas ar putekļiem vai citiem svešķermeņiem. Ja tās ir nosprostotas, iztīriet ar mīkstu birstīti vai lupatiņu;
 - nomainiet bojātas vai nesalasāmas uzlīmes;
 - rūpīgi pārbaudiet visas iekārtas sastāvdaļas, vai tās darbojas pareizi un veic tām paredzētās funkcijas. It īpaši, ja slēdzis nedarbojas pareizi, šo iekārtu nedrīkst ekspluatēt;

- pārbaudiet, vai slēdzis ir izslēgtāpozīcijā, lai nepieļautu nejaušu iedarbināšanu;
- pārbaudiet, vai ir noņemti visi apkopes instrumenti, piemēram, regulēšanas atslēga vai uzgriežņu atslēga.
- Ja ir bojāts barošanas vads, vērsieties Makita pilnvarotā apkopes centrā, kur izmanto tikai oriģinālās rezerves daļas, lai vadu nomainītu pret jaunu.
- Iekārtu nedrīkst ekspluatēt, ja ir bojāta drošības ierīce, piemēram, novirzītāja aizsargs vai zāles savācējs, vai arī tās vispār nav.
- Ieslēdzot motoru:
 - netuviniet kājas griezējinstrumentiem;
 - nesagāziet iekārtu uz vienu pusi;
 - nestāviet priekšā izvades atverei;
 - nekādā gadījumā neturiet kustīgo detaļu tuvumā rokas, citas ķermeņa daļas un apģērbu.

Elektrodrošība

- Pirms lietošanas pārbaudiet, vai iekārtas kontaktdakša atbilst barošanas kontaktlīgzdai.
- Kontaktdakšu nedrīkst pārveidot.
- Lietojiet vadu pareizi. Nekad nepārnēsājiet, nevelciet vai neatvienojiet iekārtu no kontaktlīgzdas, turot to aiz vada. Netuviniet vadu karstuma

avotiem, eļļai, asām šķautnēm vai kustīgām detaļām. Ja vads ir bojāts vai sapinies, pastāv lielāks elektriskās strāvas trieciena risks.

- Regulāri pārbaudiet, vai nav bojāta pagarinājuma kabeļa izolācija. Bojājuma gadījumā nomainiet pret jaunu.
- Ja savienojuma kabelis ir bojāts, nekavējoties atvienojiet kontaktdakšu no kontaktlīgzdas. Bojāts kabelis var saskarties ar detaļām, kurās ir strāva, un izraisīt elektriskās strāvas triecienu.
- Nedrīkst lietot bojātus vadus.
- Netuviniet vadu un pagarinājuma kabeli griezējinstrumentiem un riteņiem. Griezējinstrumenti var sabojāt kabeli un izraisīt elektriskās strāvas triecienu.
- Ekspluatējot iekārtu ārpus telpām, tā jāpievieno noplūdstrāvas aizsargierīces jaudas slēdzim, kura darbības jauda nepārsniedz 30 mA.
- Lietojiet tikai tādu pagarinājuma kabeli, kas paredzēts lietošanai ārpus telpām un kam ir ūdensizturīga kontaktlīgзда. Mazāk nekā 25 m gara kabeļa šķērssgriezumam jābūt vismaz 1,5 mm², bet vairāk nekā 25 m gara kabeļa šķērssgriezumam — vismaz 2,5 mm².
- Iekārta jāpievieno tikai tādām barošanas avotam, kura spriegums atbilst datu plāksnītē norādītajam spriegumam, un to var ekspluatēt tikai ar vienfāzes

maiņstrāvas padevi. Iekārtai ir dubulta izolācija atbilstīgi Eiropas standartiem un tādēļ to var izmantot, pievienojot arī kontaktligzdām bez iezemējuma vada.

- Darba laikā nepieskarieties iezemētām virsmām (piemēram, caurulēm, radiatoriem un ledusskapjiem).

Ekspluatācija

- Izvairieties strādāt ar iekārtu slapjā zālē. Ja strādājat slapjā zālē, ievērojiet īpašupiesardzību, lai nepaslīdētu.
- Darba laikā cieši turiet rokturi abām rokām. Rokturim jābūt sausam un tīram, lai nerastos negadījumi.
- Neskrieniet. Darba laikā drīkst tikai staigāt.
- Strādājot nogāzē, īpaši uzmanību pievēršiet stabilai stājai.
- Nevirziet iekārtu taisni augšup vai lejup pa nogāzi. Vienmēr virziet to horizontālā veidā.
- Ievērojiet īpašu piesardzību, nogāzē apgriežot iekārtu otrādi.
- Nekādā gadījumā nestrādājiet stāvā nogāzē.
- Ievērojiet ārkārtīgu piesardzību, virzot iekārtu atpakaļgaitā vai velkot virzienā pret sevi.
- Nesniedzieties pārāk tālu. Vienmēr cieši stāviet uz piemērota atbalsta un saglabājiet līdzsvaru. Tādējādi neparedzētās situācijās daudz labāk varēsiet saglabāt kontroli pār iekārtu.

- Vienmēr paturiet prātā:
 - netuviniet kājas griezējinstrumentiem;
 - nesagāziet iekārtu uz vienu pusi;
 - nestāviet priekšā izvades atverei;
 - nekādā gadījumā neturiet kustīgo detaļu tuvumā rokas, citas ķermeņa daļas un apģērbu.
- Nelietojiet iekārtu ar spēku. Darbinot iekārtu noteiktajās efektivitātes robežās, tā paveic darbu daudz labāk un drošāk. Bieža pārslodze var izraisīt motora bojājumus vai aizdegšanos.
- Izslēdziet motoru un atvienojiet no barošanas avota šādos gadījumos:
 - ikreiz, atstājot iekārtu bez uzraudzības;
 - pirms materiāla nosprostojuma attīrīšanas vai bojājuma novēršanas;
 - pirms iekārtas pārbaudes, tīrīšanas vai apkopes;
 - pirms regulēšanas, piederumu maiņas vai iekārtas novietošanas glabāšanā;
 - ja iekārtai notikusi sadursme ar svešķermeni. Nogaidiet, kamēr iekārta ir atdzisusi. Pirms darba atsākšanas pārbaudiet iekārtu un pēc vajadzības nomainiet detaļas;

- ja iekārta sāk vibrēt vai no tās dzirdams neparasts troksnis;
 - uzstādot vai noņemot zāles savācēju;
 - ja darba zonā iekļuvusi nepiederoša persona;
 - šķērsojot kādu citu virsmu, nevis zālāju;
 - transportēšanas laikā.
- Apturiet griezējinstrumentu šādos gadījumos:
 - ja ir vajadzīgs sagāzt iekārtu;
 - šķērsojot kādu citu virsmu, nevis zālāju;
 - transportējot iekārtu uz darba zonu un prom no tās.
 - Uzmanieties no griezējinstrumentiem. Tie uzreiz nepārstāj darboties, tiklīdz izslēdz iekārtu.
- ### Norādījumi par apkopi
- Lai veiktu apkopi, vērsieties Makita pilnvarotā apkopes centrā, kurizmantotikai oriģinālās rezerves daļas. Nepareizs remonts un nepietiekama apkope var saīsināt iekārtas kalpošanas laiku un palielināt negadījumu risku.
 - Regulāri veiciet iekārtas pārbaudi.
 - Pirms iekārtas apkopes, pārbaudes, regulēšanas, glabāšanas vai piederumu maiņas rīkojieties šādi:
 - izslēdziet barošanu;
 - atvienojiet iekārtu no barošanas avota;
 - pārlicinieties, vai kustīgās detaļas ir pilnībā apstājušās;
 - nogaidiet, līdz iekārta atdziest.
 - Pārbaudiet iekārtu, vai nav šādu bojājumu:
 - vai drošības ierīces darbojas pareizi un veic tām paredzētās funkcijas;
 - vai visas kustīgās detaļas darbojas vienmērīgi un pareizi;
 - vai visas detaļas ir pareizi uzstādītas un nav bojātas;
 - vai griezējinstrumenta nav bojāts, nodilis vai nenobalansēts;
 - regulāri — vai zāles savācējs nav bojāts vai nodilis;
 - vai visi uzgriežņi, bultskrūves un skrūves ir cieši pievilkti;
 - vērsieties pilnvarotā apkopes centrā, lai nomainītu vai salabotu bojātās vai nodilušās detaļas.
 - Veiciet tikai tādus apkopes vai remonta darbus, kas ir minēti šajā rokasgrāmatā. Visi pārējie darbi jāveic Makita pilnvarotam apkopes centram.
 - Lietojiet tikai oriģinālos Makita piederumus un rezerves daļas, kas paredzēti šai iekārtai, citādi var gūt ievainojumus vai sabojāt iekārtu.
 - Glabājiet iekārtu sausā telpā. Glabājiet to bērniem neaizsniedzamā vietā. Iekārtu nedrīkst glabāt ārpus telpām.

Vibrācija

- Ja cilvēki, kam ir vāja asinsrite, ir pakļauti pārmērīgai vibrācijai, tiem var rasties asinsvadu vai nervu sistēmas bojājumi. Vibrācija var izraisīt šādus simptomus: pirkstos, plaukstās vai plaukstu locītavās: miegainību (apātiju), tirpšanu, sāpes, durstīgas sajūtas, izmaiņas ādas krāsā vai pašā ādā. Ja novērojot kādu no minētajiem simptomiem, vērsieties pie ārsta.
- Lai mazinātu „balto pirkstu” jeb Reino sindroma risku, darba laikā rokām jābūt siltumā, kā arī regulāri jāveic apkrīpojuma un piederumu apkošana.

⚠ BRĪDINĀJUMS!

- Šī iekārta darba laikā rada elektromagnētisko lauku. Cilvēkiem ar medicīniskajiem implantiem pirms iekārtas lietošanas ieteicams konsultēties ar ārstu un implantu ražotāju. Elektromagnētiskais lauks var būt kaitīgs medicīniskajiem implantiem, tādējādi izraisot smagus ievainojumus.

SALIKŠANA

⚠ UZMANĪBU!

- Pirms rīkošanās ar iekārtu vienmēr pārbaudiet, vai iekārta ir izslēgta un atvienota no barošanas avota.

Roktura salikšana (2., 3. att.)

- 1) Piestipriniet pie iekārtas apakšējo roktura stieni (4), izmantojot pogas (11).
- 2) Novietojiet augšējo roktura stieni (3) uz apakšējā roktura stieņa, pēc tam sastipriniet tos kopā, izmantojot divas starplikas, uzgriezni un sviru (7).
- 3) Piestipriniet vadu ar skavām (8) pie roktura stieņa.

Zāles savācēja salikšana

⚠ UZMANĪBU!

- Nestrādājiet ar iekārtu, ja nav uzstādīts zāles savācējs, citādi priekšmeti, kas tiek izsviesti no iekārtas, var izraisīt ievainojumus.
- Strādājot ar aizmugurējās izvades iekārtu, kam riteņi ir redzami ārpusē, jāvalkā acu

aizsargbrilles, ja nav uzstādīts zāles savācējs.

PIEZĪME.

- Iekārtas darba efektivitāte mazinās, ja zāles savācējs ir pilns. Regulāri iztukšojiet zāles savācēju, kamēr tas vēl nav pilns.

Zāles savācēja uzstādīšana

Paceliet un turiet novirzītāja aizsargu (10). Aizākšējiet zāles savācēja āķus aiz iekārtas ierobiem.

Zāles savācēja noņemšana

Paceliet un turiet novirzītāja aizsargu (10). Noņemiet zāles savācēju, atvienojot āķus no iekārtas ierobiem.

Vada nostiepējs (4. att.)

Vada nostiepējs (5) palīdz vadam neiepīties asmenī vai ritenī.

Izveidojiet barošanas vada galā nelielu cilpiņu un uzveriet to caur vada nostiepēja atveri, pēc tam uzkariniet to uz āķa.

Darba laikā vienmēr ņemiet vērā vada atrašanās vietu. Sāciet darbu no vietas, kas vistuvāk barošanas avotam, lai vads nejausī netiktu pārgriezts. Darba laikā ieteicams pārlīkt vadu pār plecu.

Griezējinstrumenta noņemšana vai uzstādīšana

⚠ UZMANĪBU!

- Valkājiet aizsargcimdus.
- Ievērojiet īpaši piesardzību, rīkojoties ar griezējinstrumentu. Tas ir ļoti ass un darba laikā var sakarst.
- Vienmēr lietojiet piemērotu griezējinstrumentu, kas atbilst konkrētajam darba veidam.
- Pirms darba pārbaudiet, vai abas bultskrūves, ar ko griezējinstrumentu piestiprinās pie iekārtas, ir cieši pievilktas. Nestrādājiet ar iekārtu, ja bultskrūve ir vaļīga vai nozaudēta. Ja tā ir bojāta, nomainiet pret jaunu.

Griezējinstrumenta noņemšana

- 1) Noņemiet zāles savācēju (9).
- 2) Noņemiet rokturi no iekārtas.
- 3) Novietojiet iekārtu uz līdzenas virsmas ar apakšpusi uz augšu.
- 4) Atskrūvējiet abas bultskrūves (14). Izņemiet tās kopā ar atsperpaplāksnēm.

- 5) Paceliet griezējinstrumenta gultņu (15) daļu, pēc tam izvelciet griezējinstrumentu (13) ārā no piedziņas vārpstas (16).

Griezējinstrumenta uzstādīšana

- 1) Ievietojiet griezējinstrumentu, ievirzot tā sešstūrveida uzgriežņa daļu piedziņas vārpstas ligzdā.
- 2) Ar bulskrūvēm un atsperepaplāksnēm piestipriniet pie iekārtas gultņu daļu.

FUNKCIJU RAKSTUROJUMS

⚠ BRĪDINĀJUMS!

- Pirms iekārtas pievienošanas barošanas avotam jāpārbauda, vai iekārta ir izslēgta. Ja barošanas avotam pievieno ieslēgtu iekārtu, tā var negaidīti sākt darboties, tādējādi izraisot smagus ievainojumus.
- Ja barošanas vads ir bojāts, iekārtu nedrīkst lietot. Tas var izraisīt elektriskās strāvas triecienu.
- Iekārtu nedrīkst lietot, ja ar slēdzi to nevar ne ieslēgt, ne izslēgt. Bojāti slēdži ir jānomaina Makita pilnvarotam apkopes centram.

Iedarbināšanas/apturēšanas svira

Lai iedarbinātu iekārtu, nospiediet un turiet nospiebtu atbloķēšanas pogu (2), pēc tam līdz galam pavelciet iedarbināšanas/apturēšanas sviru (1) un turiet to. Velkot iedarbināšanas/apturēšanas sviru, nav jātur nospiesta atbloķēšanas poga.

Lai apturētu iekārtu, vienkārši atlaidiet iedarbināšanas/apturēšanas sviru.

Roktura leņķa regulēšana

Augšējā roktura stieņa leņķis ir regulējams.

- 1) Atbloķējiet roktura skavas (6).
- 2) Noregulējiet augšējā roktura stieņa (3) leņķi.
- 3) No jauna nobloķējiet roktura skavas.

Augstuma regulēšana

Noregulējiet griezējinstrumenta augstumu atkarībā no zāles stāvokļa.

Aptuvenos dziļuma iestatījumus skatiet turpmāk redzamajā tabulā.

| Augstums | Lietošana | |
|----------|---|--|
| | Skarificēšana | Uzirdināšana (papildpiederums) |
| +5 mm | Transportēšanai un glabāšanai. Vārīga zāliena skarificēšana. Atmirušās zāles savākšana plānās kārtās. Otrā skarificēšanas kārtā rudenī. | Transportēšanai un glabāšanai. Standarta zāliena uzirdināšana. |
| 0 mm | Standarta zāliena skarificēšana. Atmirušās zāles savākšana normālās kārtās. | Lekna zāliena uzirdināšana. |
| -5 mm | Standarta zāliena skarificēšana. Atmirušās zāles savākšana biežās kārtās. | NELIETOT uzirdināšanai. |
| -10 mm | Lekna zāliena skarificēšana. Atmirušās zāles savākšana biežās kārtās. | NELIETOT uzirdināšanai. |

Augstuma maiņa

Spiediet augstuma regulēšanas sviru (12) uz ārpusi un novietojiet to vēlamajā pozīcijā.

Aizsardzība pret pārslodzi

Šī iekārta ir aprīkota ar aizsardzību pret pārslodzi, kas iedarbojas šādos gadījumos:

- griezējinstrumenti ir nosprostots, jo ir apaudzis ar skarificēto zālienu;
- iekārta cenšas skarificēt vairāk zāliena, nekā motora jauda pieļauj;
- tiek traucēta griezējinstrumenta rotācija.

Iedarbojoties šai aizsardzībai, iekārta tiek automātiski izslēgta.

Šajā gadījumā atvienojiet iekārtu no barošanas avota, ļaujiet tai atdzist un novērsiet pārslodzes cēloni. Kad tas paveikts, no jauna iedarbiniet iekārtu.

EKSPLUATĀCIJA

Ieteikumi, strādājot ar iekārtu:

- Pirms darba nopļaujiet zālienu un pēc darba to mēslojiet.
- Noregulējiet griezējinstrumenta dziļumu atkarībā no zāles garuma un stāvokļa.
- Izvairieties strādāt ar iekārtu slapjā zālē. Tā mēdz ieķerties izvades atverē un citās iekārtas daļās. Uz tās var arī paslīdēt un pakrist.
- Nepārvietojieties pārāk ātri. Lēnām stumiet iekārtu. Pretējā gadījumā izvades atvere var tikt nosprostota un motoram rasties pārslodze.
- Virziet iekārtu tik taisni, cik vien iespējams.
- Apstrādātajām joslām ir nedaudz jāpārklājas. Tādējādi panāksiet vienmērīgu un līdzenu virsmu.
- Ja darba zonā atrodas puķu dobe, vienu vai divas reizes virziet iekārtu visapkārt dobei.

- Ievērojiet īpašu piesardzību, apgriežot iekārtu otrādi.
- Darba laikā nestāviet uz vietas. Iekārta var sabojāt zālienu.

Ieteikumi par skarificēšanu:

- Vienmēr ņemiet vērā laikapstākļus. Skarificēšanai piemērotākais ir silts, saulains un mitrs laiks, jo nodrošina zāliena labu atkopšanos. Izvairieties strādāt aukstā, karstā un sausā laikā.
- Skarificējiet zālienu pavasarī.
- Ja vasara ir karsta, skarificējiet zālienu agrā rudenī.
- Izvairieties strādāt ārkārtīgi karstos laikapstākļos.
- Ja vasara ir ļoti sausa, rudenī neskarificējiet zālienu.

Ieteikumi par uzirdināšanu:

- Lai zāliens pavasarī labi ataugtu, augu saknēm ir vajadzīgs liels daudzums gaisa.
- Ik pēc 4-6 nedēļām ieteicams veikt zāliena aerāciju, biežumu nosakot pēc zāliena stāvokļa.

APKOPE

⚠ UZMANĪBU!

- Pirms pārbaudes vai apkopes veikšanas jāpārbauda, vai iekārta ir izslēgta un atvienota no barošanas avota.
- Veicot pārbaudi vai apkopi, valkājiet aizsargcimdus.
- Kad iekārta ir izslēgta, griezējinstrument netiek uzreiz apturēts. Pirms apkopes veikšanas nogaidiet, līdz visas detaļas ir pilnībā apstājušās.
- Pārbaudiet, vai pēc apkopes veikšanas ir noņemti visi darbarīki.
- Iekārtu nedrīkst tīrīt ar benzīnu, šķīdinātāju, spirtu vai tamlīdzīgiem līdzekļiem. To dēļ iekārta var zaudēt krāsu, deformēties vai saplaisāt. Tīriet iekārtu tikai ar mitru lupatiņu un mīkstu birstīti.
- Netīriet un neskalojiet iekārtu ar augsta spiediena ūdens strūklu.

Transportējot iekārtu, pievērsiet uzmanību šādiem nosacījumiem.

- Izslēdziet motoru, atvienojiet no barošanas avota un nogaidiet, līdz griezējinstrument pārstāj darboties.
- Noregulējiet griezējinstrumenta dziļumu atbilstīgi transportēšanas augstumam.

- Transportējot iekārtu, tai jābūt satvertai aiz roktura.
- Nepakļaujiet iekārtu smagiem triecieniem vai spēcīgai vibrācijai.
- Cieši nostipriniet iekārtu, ja to transportē ar transportlīdzekli.

Ikreiz, pabeidzot darbu, veiciet šādus darbus.

- Izslēdziet motoru, atvienojiet no barošanas avota un nogaidiet, līdz griezējinstrument pārstāj darboties.
- Iztīriet zāles savācēju. Glabājiet to sausā telpā.
- Pārbaudiet, iztīriet un glabājiet iekārtu sausā telpā.

Regulāri veiciet šādus darbus.

- Pārbaudiet, vai ir cieši pievilktas visas skavas, piemēram, skrūves, uzgriežņi u.c.
- Pārbaudiet, vai nav defektu, piemēram, valfīgas, nodilušas vai bojātas detaļas. Pēc vajadzības nomainiet.
- Pārbaudiet, vai pārsegi un aizsargi nav bojāti vai deformēti.
- Ja iekārta darba laikā sāk neparasti vibrēt, tam par iemeslu varētu būt nenobalansēts vai deformēts griezējinstrument, kas saņēmis triecienu no kāda svešķermeņa. Ja tā notiek, griezējinstrument ir jāsalabo vai jānomaina pilnvarotā apkopes centrā.
- Griezējinstrument laika gaitā nodilst. Regulāri pārbaudiet griezējinstrumenta stāvokli un stabilitāti. Nomainiet to, ja kļuvis neass vai ir nodilis.
- Pirms iekārtas novietošanas glabāšanā iztīriet un ieeļļojiet visas skrūvējumu vietas.

PROBLĒMU NOVĒRŠANA

BRĪDINĀJUMS! Pirms problēmu novēršanas izslēdziet iekārtu, atvienojiet no barošanas avota un nogaidiet, līdz iekārta pilnībā pārstāj darboties.

| Problēma | Iespējamais cēlonis | Risinājums |
|---------------------------------------|--|---|
| Iekārtu nevar iedarbināt. | Iekārta nav pievienota barošanas avotam. | Pievienojiet iekārtu barošanas avotam. |
| | Barošanas vads ir bojāts. | Nekavējoties atvienojiet no barošanas avota. Pieprasiet vietējam Makita pilnvarotajam apkopes centram to salabot. |
| | Defekts elektriskajā ķēdē. | Pieprasiet vietējam Makita pilnvarotajam apkopes centram to salabot. |
| | Nav nospiesta atbloķēšanas poga. | Nospiediet atbloķēšanas pogu un pavelciet iedarbināšanas/apturēšanas sviru. |
| No iekārtas dzirdama krakšķoša skaņa. | Griezējinstrumentā ir iestrēguši svešķermeņi. | Izslēdziet motoru, atvienojiet no barošanas avota un nogaidiet, līdz griezējinstrumenta pārstāj darboties. Pēc tam iztīriet svešķermeņus. |
| No iekārtas dzirdama savāda skaņa. | Bojāta piedziņas siksnā | Pieprasiet vietējam Makita pilnvarotajam apkopes centram to salabot. |
| Iekārta nesasniedz maksimālo jaudu. | Barošanas avota spriegums ir mazāks nekā vajadzīgs. | Izmēģiniet citu barošanas avotu. Pārbaudiet, vai tiek izmantots piemērots barošanas avots. |
| | Gaisa atveres ir nosprostotas. | Iztīriet gaisa atveres. |
| Neapmierinošs darba rezultāts. | Zālājs ir pārāk augsts. | Pirms skarificēšanas nopļaujiet zālāju. |
| | Griezējinstrumenta ir bojāts vai nolietots. | Nomainiet pret jaunu. |
| | Iekārtas jauda ir pārāk maza skarificējamajai virsmai. | Skarificējiet tikai tādu virsmu, kas atbilst iekārtas jaudai. |
| | Skarificēšanas dziļums ir nepareizs. | Noregulējiet griezējinstrumenta dziļumu. |

PAPILDPIEDERUMI

⚠ UZMANĪBU!

- Šos piederumus vai papildierīces ieteicams izmantot kopā ar šajā rokasgrāmatā aprakstīto Makita iekārtu. Ja tiek izmantoti citi piederumi vai pierīces, var rasties ievainojuma risks. Lietojiet piederumus vai pierīces tikai tiem paredzētajiem mērķiem.
- Ja vēlaties uzzināt sīkāku informāciju par šiem piederumiem, jautājiet vietējā Makita apkopes centrā.

Ir vairāku veidu griezējinstrumenti:

- skarificēšanas asmens — asmens asā mala skarificē augsni un smalcina saknes;
- uzirdināšanas asmens (papildpiederums) — nopļauj zālienu un smalki sasmalcina;
- divfunkciju asmens (papildpiederums) — uzirdināšana un skarificēšana vienlaicīgi.

IEVĒRĪBA!

- Daži no šeit minētajiem piederumiem var būt iekļauti iekārtas standarta komplektācijā. Dažādās valstīs tie var atšķirties.

Tikai Eiropas valstīm

EK atbilstības deklarācija

Makita ar šo apliecina, ka šāds izstrādājums:

instrumenta apzīmējums:

Elektriskais skarifikators

Modeļa Nr./veids: UV3600

atbilst šādām Eiropas direktīvām:

2000/14/EK, kurā grozījumi izdarīti ar 2005/88/EK;

2006/42/EK; 2004/108/EK, 2011/65/ES

un ir ražots saskaņā ar šādiem standartiem vai normatīvajiem dokumentiem:

EN60335, EN13684

Tehniskā dokumentācija atbilst 2006/42/EK, un to nodrošina:

Makita, Jan-Baptist Vinkstraat 2, 3070, Beļģija
Direktīvā 2000/14/EK noteiktā atbilstības novērtēšanas procedūra tika veikta saskaņā ar V pielikumu.

Novērtētais skaņas jaudas līmenis: 99,53 dB (A)

Garantētais skaņas jaudas līmenis: 104 dB (A)

21.11.2014



Yasushi Fukaya

Direktors

Makita, Jan-Baptist Vinkstraat 2, 3070, Beļģija

ĮSPĖJIMAS! Šį prietaisą gali naudoti 8 metų ir vyresni vaikai ir asmenys, turintys fizinę, sensorinę arba protinę negalią, taip pat asmenys, neturintys pakankamai patirties ir žinių, jei yra prižiūrimi arba apmokyti saugiai naudoti prietaisą ir supranta galimą pavojų. Vaikams negalima žaisti su šiuo prietaisu. Vaikus būtina prižiūrėti jiems valant prietaisą arba atliekant naudotojo priežiūrą.

DETALIŲ ŽYMĖJIMAS (1 pav.)

- | | | |
|-------------------------------------|---------------------------|-------------------------------------|
| 1. Paleidimo / stabdymo svirtis | 6. Rankenos apkaba | 12. Aukščio reguliavimo svirtis |
| 2. Fiksavimo panaikinimo mygtukas | 7. Svirtis | 13. Pjovimo įrankis |
| 3. Viršutinioji rankenos dalis | 8. Spaustukas (x2) | 14. Varžtas ir spyruoklinė poveržlė |
| 4. Apatinioji rankenos dalis | 9. Žolės gaudyklė | 15. Guolis |
| 5. Laidą atpalaiduojantis laikiklis | 10. Apsauginis kreiptuvas | 16. Varantysis velenas |
| | 11. Rankenėlė | |

TECHNINIAI DUOMENYS

| | |
|--|--|
| Modelio pavadinimas | UV3600 |
| Įtampa | 230–240 V |
| Dažnis | 50 Hz |
| Vardinė įėjimo galia | 1 800 W |
| Bendras svoris | 15,3 kg |
| Greitis be apkrovos | 3 500 min ⁻¹ |
| Didžiausias pjovimo plotis | 360 mm |
| Darbinio aukščio diapazonas | 4 žingsniai (-10/-5/0/5 mm) |
| Žolės gaudyklės tūris | 40 l |
| Apsaugos klasė | IPX4 |
| Garso slėgis | 81,24 dB (A), K= 2,50 dB (A) |
| Garso slėgis ties operatoriaus ausimis | 85,5 dB (A), K= 2,50 dB (A) |
| Išmatuota garso galia | 99,53 dB (A), K= 4,50 dB (A) |
| Garantuojama garso galia | 104 dB (A) |
| Vibracija | 4,673 m/s ² , K= 1,5 m/s ² |

SIMBOLIAI

Toliau parodyti šiai įrangai aprašyti naudojami simboliai. Įsitikinkite, kad viską supratote prieš naudodami įrangą.



• Perskaitykite naudojimo instrukciją.



• Būkite ypač atidūs ir dėmesingi.



• Dviguba izoliacija.



• Dėvėkite apsaugines pirštines.



• Avėkite tvirtus batus su neslidžiais padais.



• Dėvėkite akių ir ausų apsaugas.



- Palaukite, kol visos aparato dalys visiškai sustos.



- Atkreipkite dėmesį į aštrius pjovimo įrankius.



- Išjunkite variklį ir ištraukite kištuką prieš valydami ar atlikdami priežiūros darbus, arba jei pažeistas maitinimo laidas.



- Daiktai gali būti išmesti dideliu greičiu.



- Išlaikykite saugų atstumą tarp pašaliečių ar gyvūnų ir darbo srities.



- Neleiskite, kad ant aparato lytų ar jis drėktų.



- Jei maitinimo laidas yra pažeistas ar nupjautas, nedelsdami ištraukite kištuką iš maitinimo lizdo.



- Elektros smūgio pavojus.



- Stenkitės, kad laidas būtų toli nuo pjovimo įrankių ir ratų.



- Tik ES šalims

Elektros įrangos neišmeskite kartu būtinėmis atliekomis!

Laikantis Europos direktyvos dėl elektros ir elektroninės įrangos atliekų bei jos taikymo pagal vietinius įstatymus, elektros įranga, pasibaigus jos eksploatacijos laikui, privalo būti atskirai surenkama ir gražinama perdirbti į perdirbimo gamyklą.

SAUGOS ĮSPĖJIMAI

ATIDŽIAI PERSKAITYKITE PRIEŠ NAUDODAMIESI SAUGOKITE NAUDOJIMO INSTRUKCIJĄ, KAD VĒLIAU GALĒTUMĒTE JA PASINAUDOTI



Nejunkite ir nenaudokite šios įrangos, kol neperskaitysite šios naudojimo instrukcijos. Laikykitės visų pateiktų nurodymų ir įdiekite kaip nurodyta.

Įrenginio paskirtis

- Šis aparatas yra skirtas purenti arba grębti soduose.
- Šis aeratorius yra skirtas naudoti tik asmeniniais, ne komerciniais tikslais. Nenaudokite viešosiose vietose.

Skirtas viešosioms skirstomosioms žemos įtampos sistemoms tarp 220 V ir 250 V.

Elektrinių įrenginių įjungimas sukelia įtampos svyravimus. Šio įrenginio naudojimas nepalankiomis elektros tinklo sąlygomis gali daryti įtaką kitos įrangos darbui. Kai pilnutinė įėjimo varža yra lygi ar mažesnė negu 0,412 omų, galima manyti, kad nebus jokio neigiamo poveikio. Šiam įrankiui naudojamas elektros tinklo lizdas turi būti apsaugotas saugikliu arba apsauginiu grandinės nutraukikliu su lėto suveikimo charakteristika.

Bendrosios instrukcijos

- Perskaitykite šią naudojimo instrukciją, kad susipažintumėte su šio įrenginio valdymu. Jei įrenginį naudoja su juo per mažai susipažinę asmenys, padidėja gaisro, elektros smūgio ir sužeidimų pavojus jiems patiems ir aplinkiniams.
- Neduokite įrenginio žmonėms, kurie neturi žinomos patirties.
- Kai kam nors duodate įrenginį, visada pridėkite šią naudojimo instrukciją.
- Šio aparato neturi naudoti žmonės su mažesniais fiziniiais, jutiminiais arba protiniais gebėjimais, arba kuriems trūksta žinių ir patirties. Mažus vaikus reikia prižiūrėti, kad nežaistų su įrenginiu.

- Naudokite tik tada, kai esate geros fizinės formos. Visus darbus atlikite ramiai ir atidžiai. Naudotojui tenka atsakomybė už darbo vietoje esančių žmonių saugumą ir padarytą žalą.
- Niekada nenaudokite šio įrenginio išgėrę alkoholio, psichiką veikiančių medžiagų, jausdamiesi pavargę ar sergantys.
- Pailsėkite, kad dėl nuovargio nesusilpnėtų aparato valdymas. Rekomenduojame kas valandą ilsėtis 10–20 minučių.
- Naudokite aparatą pagal šias instrukcijas, atsižvelgdami į darbo sąlygas ir taikymą. Naudojant įrenginį ne pagal paskirtį gali kilti pavojinga situacija.
- Valstybiniai arba vietiniai teisės aktai gali riboti šio įrenginio naudojimą.
- Būkite budrūs. Dirbkite atidžiai. Vadovaukitės sveika nuovoka. Nedirbkite su įrenginiu, jei esate pavargę.

Asmeninės apsaugos priemonės

- Tinkamai renkitės. Dėvimi drabužiai turi būti funkcionalūs ir tinkami, t. y. turi būti glaudūs, bet nevaržyti judesių. Nedėvėkite juvelyrinių dirbinių ar rūbų, kurie galėtų įsipainioti įrenginyje. Dėvėkite apsauginį plaukų apdangalą, kad apsaugotumėte ilgus plaukus.

- Visada užsidėkite ausų apsaugas, kad apsaugotumėte klausą.
- Nešiokite apsauginius akinius, kad apsaugotumėte akis nuo daiktų ir nuolaužų.
- Dėvėkite apsaugines pirštines, kad apsaugotumėte pirštus nuo sužeidimų.
- Dėvėkite kaukę nuo dulkių, kad sumažėtų sužeidimo rizika.
- Dirbdami su įrenginiu visada avėkite stabiliais batais su neslidžiais padais. Tai apsaugos nuo sužeidimų ir užtikrins tvirtą pagrindą stovint.
- Dirbdami su įrenginiu visada avėkite pakankamą avalynę ir mėvėkite ilgas kelnes. Nenaudokite įrenginio būdami basi ar dėvėdami atviras basutes.

Darbo vietos sauga

- Neleiskite arti būti vaikams ir pašaliniais asmenims, įskaitant gyvūnus, kai dirbate su įrenginiu.
- Patikrinkite darbo sritį, ar nėra akmenų, laidų, stiklo ar kitų pašalinių daiktų. Pašaliniai objektai gali įstrigti ar įtraukti į įrenginį, sužeisti ar sukelti pažeidimus.
- Dirbkite su įrenginiu tik esant geram matomumui ir dienos metu. Nenaudokite įrenginio tamsoje ar rūke.
- Nedirbkite su šiuo įrenginiu sprogyje aplinkoje, pvz., kur yra degių skysčių, dujų arba dulkių.

Įrenginys kibirkščiuoja, todėl gali uždegti dulkes arba garus.

- Neleiskite įrenginiui būti lietuje ar šlapioje aplinkoje. Į įrenginį patekęs vanduo gali padidinti elektros smūgio riziką.

Įrenginio įjungimas

- Prieš jungdami kištuką ar įjungdami įrenginį:
 - Patikrinkite, ar geros būklės kištukas ir laidas.
 - Patikrinkite, ar neatsilaisvino varžtai ir kitos jungiamosios dalys.
 - Patikrinkite, ar pjovimo įrankiai yra savo vietose ir geros darbinės būklės.
 - Patikrinkite, ar gerai veikia apsaugos ir saugos įranga, pvz., kreiptuvai arba žolės gaudyklė.
 - Patikrinkite, ar vėdinimo angos neapneštos dulkėmis ar pašalinėmis medžiagomis. Nuvalykite minkštu šepetiu ar audiniu, jei jos užkištos.
 - Pakeiskite pažeistus ar neįskaitomus užrašus.
 - Atidžiai patikrinkite visas įrenginio dalis, kad nustatytumėte, ar įrenginys dirba ir atlieka savo funkciją tinkamai. Ypač niekada nenaudokite įrenginio, jei jungiklis normaliai neveikia.
 - Įsitinkinkite, kad jungiklis yra išjungimo pusėje, kad apsisaugotumėte nuo netyčinio įjungimo.

- Patikrinkite, ar visi priežiūros įrankiai, pvz., reguliavimo raktas, yra nuimti.
- Jei maitinimo laidas yra pažeistas, kreipkitės į „Makita“ įgaliotąjį techninės priežiūros centrą; keitimui visada naudokite originalias atsargines dalis.
- Niekada naudokite aparato, jeigu saugumo įtaisas, pvz., apsauginis kreiptuvas arba žolės gaudyklė, yra pažeistas arba jo nėra.
- Kai įjungiate variklį:
 - Stenkitės, kad pėdos būtų toli nuo pjovimo įrankių.
 - Nepakreipkite aparato.
 - Nestovėkite priešais išmetimo angą.
 - Niekada nedėkite rankų ir kitų kūno dalių bei drabužių arti judančių dalių.
- Jei jungiamasis laidas pažeistas, nedelsdami ištraukite kištuką. Pažeistas laidas gali sukontaktuoti su dalimis ir sukelti elektros šoką.
- Niekada nenaudokite pažeisto laido.
- Laikykite laidą ir ilgintuvą toliau nuo pjovimo įrankių ir ratų. Pjovimo įrankiai gali pažeisti laidą ir dėl to gali išstikti elektros smūgis.
- Kai aparatą naudojate lauke, visada naudokite likutinės srovės grandinės pertraukiklį (RCD), kurio darbinė srovė yra 30 mA ar mažiau.
- Naudokite tik ilgintuvą naudojimui lauke su nuo aptaškymo apsaugota jungtimi. Skerspjuvis turi būti ne mažesnis negu 1,5 mm², kai laido ilgis iki 25 m, ir 2,5 mm², kai laidas yra ilgesnis negu 25 m.

Elektros sauga

- Prieš naudodamiesi patikrinkite, ar aparato jungties kištukas tinka lizdui.
- Niekada nekeiskite jungties kištuko.
- Tinkamai elkitės su laidu. Niekada neneškite, netraukite ir neatjunkite paėmę už laido. Neleiskite laidui kaisti, išsitemti, saugokite nuo aštrių briaunų ar judančių dalių. Pažeisti ir supainioti laidai padidina elektros smūgio riziką.
- Reguliariai tikrinkite, ar neatsirado ilgintuvo izoliacijos pažeidimų. Pakeiskite kitu, jei pažeistas.
- Aparatą reikia jungti tik su maitinimo šaltiniu, kurio įtampa atitinka nurodytą vardinėje plokštelėje; aparatą galima naudoti tik su vienos fazės kintamosios srovės šaltiniu. Jie yra dvigubai izoliuoti pagal Europos standartą ir todėl gali būti naudojami su neįžemintais lizdais.
- Venkite liestis su įžemintais paviršiais, pvz., vamzdžiais, radiatoriais, viryklėmis, šaldytuvais.

Darbas

- Venkite dirbti ant šlapios žolės. Ypač būkite atsargūs, kad nepaslystumėte, kai dirbate ant šlapios žolės.
- Dirbdami tvirtai laikykite rankeną abiem rankomis. Prižiūrėkite, kad rankena būtų sausa ir švari, kad išvengtumėte nelaimingų atsitikimų.
- Nebėkite. Dirbdami tik vaikščiokite.
- Ypač atsargiai dėkite kojas, kai dirbate ant šlaito.
- Dirbdami nejudėkite tiesiai aukštyn arba žemyn šlaitu. Visuomet dirbkite horizontalia linija.
- Būkite ypač atsargūs, kai ant šlaito sukate aparatą.
- Niekuomet nedirbkite ant stataus šlaito.
- Būkite ypač atidūs, kai judate atgal arba traukiate aparatą į save.
- Nepersisverkite. Visada išlaikykite tvirtą stovėseną ir pusiausvyrą. Tai leidžia geriau valdyti aparatą netikėtose situacijose.
- Atminkite toliau pateiktas instrukcijas:
 - Stenkitės, kad pėdos būtų toli nuo pjovimo įrankių.
 - Nepakreipkite aparato.
 - Nestovėkite priešais išmetimo angą.
 - Niekada nedėkite rankų ir kitų kūno dalių bei drabužių arti judančių dalių.
- Dirbdami nenaudokite jėgos. Aparatas geriau ir saugiau dirba tokiu tempu, kuriam jis buvo sukurtas. Dėl dažnų perkrovų variklis gali būti pažeistas ar užsidegti.
- Išjunkite variklį ir ištraukite kištuką:
 - kai paliekate aparatą be priežiūros,
 - prieš valydami užsikišusias medžiagas ar kitaip tvarkydami,
 - prieš tikrindami, valydami ar tvarkydami aparatą,
 - prieš reguliuodami, keisdami priedus ar sandėliuodami,
 - kai aparatas atsitrenkia į pašalinį daiktą. Palaukite, kol aparatas atvės. Patikrinkite aparatą ir, jei reikia, pakeiskite dalis prieš tęsdami darbą;
 - kai aparatas pradeda nejprastai vibruoti ar triukšmauti,
 - uždėdami ar nuimdami žolės gaudyklę,
 - kai kas nors įeina į jūsų darbo sritį,
 - kai kertate ne žole apaugusį paviršių,
 - kai pervežate.
- Sustabdykite pjovimo įrankį:
 - jei turite pakreipti aparatą,
 - kai kertate ne žole apaugusį paviršių,
 - pervežate aparatą prie ar nuo dirbamų paviršių.

- Atkreipkite dėmesį į pjovimo įrankius. Išjungti jie iškart nesustoja.

Techninės priežiūros instrukcijos

- Aparato techninę priežiūrą ir remontą turi atlikti mūsų įgaliotosios serviso dirbtuvės, naudodamos tik originalias atsargines dalis. Netinkamas remontas ir prasta priežiūra gali sutrumpinti aparato eksploatacijos trukmę ir padidinti nelaimingų atsitikimų riziką.
- Reguliariai tikrinkite aparatą.
- Prieš techninę priežiūrą, patikrinimą, reguliavimą, sandėliavimą ar priedų keitimą atlikite toliau nurodytus veiksmus.
 - Išjunkite maitinimo šaltinį.
 - Atjunkite aparatą nuo maitinimo šaltinio.
 - Įsitinkite, kad visos judančios dalys visiškai sustojo.
 - Leiskite aparatui atvėsti.
- Patikrinkite, ar aparatas nepažeistas:
 - ar saugos įtaisai tinkamai veikia pagal savo paskirtį,
 - ar visos judančios dalys juda sklandžiai ir tinkamai,
 - ar visos dalys sveikos ir nepažeistos bei tinkamai sumontuotos.
 - Patikrinkite, ar pjovimo įrenginys nėra pažeistas, susidėvėjęs ar išsibalansavęs.

- Patikrinkite, ar žolės gaudyklė nėra pažeista, susidėvėjusi.
- Patikrinkite, ar veržlės, varžtai ir medvaržčiai, nėra atsipalaidavę.
- Pakeiskite arba remontuokite mūsų įgaliotame serviso centre, jei yra pažeistų ar susidėvėjusių dalių.
- Neatlikite jokių kitų priežiūros ar remonto darbų, kurie nėra aprašyti šioje instrukcijoje. Visus kitus darbus turi atlikti įgaliotasis „Makita“ serviso centras.
- Naudokite tik originalias „Makita“ atsargines dalis ir priedus, skirtus jūsų aparatui. Kitaip galima susižeisti ir pažeisti aparatą.
- Laikykite aparatą sausoje patalpoje. Laikykite vaikams nepasiekiamoje vietoje. Niekada nelaikykite aparato lauke.

Vibracija

- Asmenys, kurių prasta kraujo apytaka ir kurie yra stipriai veikiami vibracijos, gali patirti kraujagyslių ar nervų sistemos pažeidimų. Vibracija gali sukelti toliau nurodytus simptomus pirštuose, rankose ar riešuose. „Mieguistumas“ (sustirimas), dilgčiojimas, skausmas, dūrimo pojūtis, odos ar jos palvos pokyčiai. Jei atsirado bet kuris iš šių požymių, kreipkitės į gydytoją.
- Kad sumažintumėte „balto piršto ligos“ riziką, darbo metu laikykite rankas šiltai ir gerai prižiūrėkite įrangą ir priedus.

⚠️ ĮSPĖJIMAS!

- Šis aparatas darbo metu sukuria elektromagnetinį lauką. Rekomenduojame, kad asmenys, turintys medicininius implantus, turėtų pasikonsultuoti su savo gydytojais ir implantų, gamintojais prieš naudodamiesi šiuo aparatu. Kitaip elektromagnetinis laukas gali

paveikti medicininius implantus ir gali sukelti rimtų sužeidimų.

SURINKIMAS

⚠ **ATSARGIAI!**

- Visada įsitikinkite, kad aparatas yra išjungtas ir kištukas ištrauktas prieš kaip nors tvarkydami aparatas.

Rankenos dalies surinkimas (2, 3 pav.)

- 1) Rankenėlemis (11) pritvirtinkite apatinį rankenos dalį (4) prie aparato.
- 2) Uždėkite viršutinį rankenos dalį (3) ant apatinios rankenos dalies ir pritvirtinkite jas dviem poveržlėmis, varžtu ir svirtelėmis (7).
- 3) Pritvirtinkite laidą spaustukais (8) ant rankenos dalies.

Žolės gaudyklės surinkimas

⚠ **ATSARGIAI!**

- Nenaudokite aparato be žolės gaudyklės. Kitaip išmestas daiktas gali sužeisti.
- Naudojant galinio išmetimo įtaisus su neuždengtais volais, kai naudojami be gaudyklės, privalu dėvėti visą akių apsaugą.

PASTABA.

- Aparato darbo našumas sumažėja, kai žolės gaudyklė yra pilna. Reguliariai ištuštinkite žolės gaudyklę prieš jai visiškai užsipildant.

Žolės gaudyklės montavimas

Aukštyn patraukite apsauginį kreiptuvą (10) ir laikykite. Įkiškite ant žolės gaudyklės esančius kablius į griovelius ant aparato.

Žolės gaudyklės nuėmimas

Aukštyn patraukite apsauginį kreiptuvą (10) ir laikykite. Nuimkite žolės gaudyklę atleisdami kablius iš griovelių ant aparato.

Laidą atpalaiduojantis laikiklis (4 pav.)

Laidą atpalaiduojantis laikiklis (5) padeda apsisaugoti, kad laidas nepakliūtų prie ašmenų ar ratų.

Padarykite mažą kilpą maitinimo laido gale ir prakiškite jį per kiaurymę laidą atpalaiduojančiame laikiklyje ir pakabinkite jį ant kablo.

Tai darydami visada įvertinkite laido padėtį. Pradėkite veiksmus nuo arčiausios vietos nuo maitinimo šaltinio, kad laido netyčia nenukirstumėte. Darbo metu rekomenduojama laidą laikyti ant peties.

Pjovimo įrankio nuėmimas ir uždėjimas

⚠ **ATSARGIAI!**

- Dėvėkite apsaugines pirštines.
- Būkite ypač atsargūs, kai darote veiksmus su pjovimo įrankiu. Jis yra labai aštrus ir gali įkaisti darbo metu.
- Visada naudokite atliekamą darbą atitinkantį pjovimo įrankį.
- Prieš darbą įsitikinkite, kad du varžtai, laikantys pjovimo įrankį prie aparato, yra tvirtai prisukti. Nenaudokite aparato, jei atsipalaidavo varžtas arba jo nėra. Jei jis yra pažeistas, pakeiskite nedelsdami.

Pjovimo įrankio nuėmimas

- 1) Nuimkite žolės gaudyklę (9).
- 2) Nuo aparato nuimkite rankeną.
- 3) Padėkite apverstą aparatą ant plokščio paviršiaus.
- 4) Atlaisvinkite du varžtus (14). Išimkite juos ir spyruoklines poveržles.
- 5) Pakelkite guolio dalį pjovimo įrankyje (15) ir ištraukite pjovimo įrankį (13) nuo varančiojo veleno (16).

Pjovimo įrankio uždėjimas

- 1) Įdėkite pjovimo įrankį įstumdami šešiakampę dalį į varančiojo veleno lizdą.
- 2) Priveržkite dalį su guoliu prie aparato varžtais ir spyruoklinėmis poveržlėmis.

FUNKCINIS APRAŠAS

⚠ **ĮSPĖJIMAS!**

- Prieš prijungdami aparato maitinimo kištuką visada įsitikinkite, kad aparatas yra išjungtas. Jungiant kištuką, kai aparatas yra įjungtas, aparatas gali netikėtai pradėti veikti ir rimtai sužaloti.
- Niekada nenaudokite aparato, jei yra pažeistas maitinimo laidas. Kitaip galima patirti elektros šoką.

• Nenaudokite aparato, jei jungiklis jo neįjungia ir neišjungia. Sugedusius jungiklius turi keisti įgaliotasis „Makita“ serviso centras.

Paleidimo / stabdymo svirtis

Norėdami paleisti aparatą nuspauskite ir laikykite fiksavimo panaikinimo mygtuką (2) ir iki galo patraukite paleidimo / stabdymo svirtį (1) ir ją laikykite. Kai traukiate paleidimo / stabdymo svirtį, nereikia laikyti fiksavimo panaikinimo mygtuko.

Norėdami sustabdyti aparatą, tiesiog atleiskite paleidimo / stabdymo svirtį.

Rankenos kampo reguliavimas

Galite keisti viršutiniosios rankenos dalies kampą.

- 1) Atfiksukite rankenos apkabas (6).
- 2) Sureguliuokite viršutiniosios rankenos dalies (3) kampą.
- 3) Vėl užfiksukite rankenos apkabas.

Aukščio reguliavimas

Priklausomai nuo žolės būklės reguliuokite pjovimo įrankį.

Žiūrėkite toliau pateiktą lentelę su apytiksiais gylio nustatymais.

| Aukštis | Naudojimas | |
|---------|---|--|
| | Purenimas | Grėbimas (atskirai įsigyjamas priedas) |
| +5 mm | Transportavimui ir sandėliavimui. Jautrios pievelės purenimas. Plonų sluoksnių atskyrimas. Antras purenimas rudenį. | Transportavimui ir sandėliavimui. Normalios pievelės grėbimas. |
| 0 mm | Normalios pievelės purenimas. Normalaus sluoksnio atskyrimas. | Šiurkščios, aukštos pievos grėbimas. |
| -5 mm | Normalios pievelės purenimas. Storo sluoksnio atskyrimas. | NENAUDOKITE grėbimui. |
| -10 mm | Šiurkščios, aukštos pievelės purenimas. Storo sluoksnio atskyrimas. | NENAUDOKITE grėbimui. |

Aukščio keitimas

Pastumkite aukščio reguliavimo svirtelę (12) į išorę ir perkeltkite ją į norimą padėtį.

Apsauga nuo perkrovos

Šiame aparate yra apsauga nuo perkrovos. Ji veikia toliau nurodytose situacijose:

- Pjovimo įrankis užsikemša, nes suraižytos medžiagos kaupiasi aplink jį.
- Aparatas stengiasi supurenti daugiau, nei gali variklis.
- Kažkas kliudo sukčiai pjovimo įrankiui.

Kai suveikia ši apsauga, aparatas automatiškai išsijungia.

Jei taip atsitinka, atjunkite aparatą, palaukite, kol jis atvės, pašalinkite perkrovos priežastį prieš iš naujo paleisdami aparatą.

DARBAS

Darbo patarimai:

- Žolę pjaukite prieš darbą su aparatu ir patręškite po darbo.
- Reguluokite pjovimo įrankio gylį pagal orą ir žolės aukštį.
- Venkite dirbti ant šlapios žolės. Ji dažnai kimba prie išmetimo angos ir kitų aparato dalių. Dėl to taip pat galima paslysti ir nukristi.
- Nejudėkite pernelgy greitai. Lėtai stumkite mašiną. Priešingu atveju išmetimo anga gali užsikimšti, o variklis bus perkrautas.
- Dirbkite kiek įmanoma tiesesne linija.
- Dirbkite taip, kad linijos truputį persidengtų. Taip bus išlaikytas tolygus ir lygus paviršius.
- Kai darbo srityje yra gėlių lysvė, kartą ar du apsukite aplink.
- Būkite ypač atsargūs sukdami aparatą.
- Nestovėkite vienoje vietoje. Priešingu atveju bus pažeista žolė.

Purenimo patarimai:

- Visada įvertinkite oro sąlygas. Šilti, saulėti ir šlapi orai yra geri purenimui, nes pieva gali gerai atsistatyti. Kita vertus, venkite šaltų, karštų ir sausų orų.
- Pavasarį išpurenkite pievelę.
- Jei vasara drėgna, išpurenkite pievelę anksti rudenį.
- Susilaikykite nuo purenimo esant itin karštiesiems orams.
- Jei vasara yra labai sausa, nepurenkite rudenį.

Grėbimo patarimai:

- Kad augalai gerai augtų pavasarį, aplink šaknis reikia daug oro.
- Pievelės aeraciją rekomenduojama atlikti kas 4–6 savaites pagal pievelės būklę.

TECHNINĖ PRIEŽIŪRA

⚠ ATSAUGIAI!

- Visada įsitinkinkite, kad aparatas yra išjungtas ir kištukas ištrauktas prieš kaip nors tvarkydami ar tikrindami aparatą.
- Dėvėkite apsaugines pirštines prieš tikrindami ar atlikdami priežiūros darbus.
- Smulkintuvas iškart nesustoja po išjungimo. Palaukite, kol visos dalys nustos judėti prieš atlikdami bet kokius priežiūros darbus.

- Įsitinkite, kad visi įrankiai yra pašalinti po priežiūros darbų.
- Valymui niekada nenaudokite benzino, skiediklio, alkoholio ir pan. Gali pasikeisti spalva, forma ar atsirasti įtrūkimų. Aparatui valyti naudokite tik drėgną audinį ir minkštą šepetį.
- Aparato nelaistykite žarna ar aukšto spaudimo vandens srove.

Kai pervežate aparatą, atkreipkite dėmesį į toliau nurodytus dalykus:

- Išjunkite variklį, atjunkite ir palaukite, kol sustos pjovimo įrankis.
- Sureguliuokite pjovimo įrankio gylį pagal transportavimo aukštį.
- Visuomet pervežkite aparatą už jo rankenos.
- Venkite stipraus smūgio ar stiprios vibracijos.
- Patikimai pritvirtinkite aparatą, jei dedate ant transporto priemonės.

Po kiekvienos operacijos atlikite toliau nurodytus veiksmus:

- Išjunkite variklį, atjunkite ir palaukite, kol sustos pjovimo įrankis.
- Išvalykite žolės gaudyklę. Laikykite sausoje patalpoje.
- Tikrinkite, valykite ir laikykite aparatą sausoje patalpoje.

Reguliariai atlikite toliau nurodytus veiksmus:

- Tikrinkite visas jungtis, pvz., medvaržčius, varžtus, veržles, ar gerai priveržtos.
- Tikrinkite, ar nėra atsilaisvinusių, susidėvėjusių ar pažeistų dalių. Jei reikia, pakeiskite naujomis.
- Tikrinkite, ar dangčiai ir apsaugos nėra pažeisti ar deformuoti.
- Jei darbo metu aparatas pradeda nenormaliai vibruoti, tai gali sukelti išbalansuotas arba deformuotas pjovimo įrankis dėl smūgių į pašalinius daiktus. Jei taip atsitiko, pjovimo įrankį remontuoti arba pakeisti turi įgaliotosios serviso dirbtuvės.
- Pjovimo įrankis po truputį susidėvi. Reguliariai tikrinkite pjovimo įrankio būklę ir jo stabilumą. Pakeiskite, jei susidėvėjo ar atšipo.
- Išvalykite ir sutepkite visus varžtus prieš sandėliuodami.

TRIKČIŲ DIAGNOSTIKA IR SPRENDIMAS

ĮSPĖJIMAS! Prieš sprendami problemas išjunkite aparatą, ištraukite kištuką iš elektros šaltinio ir palaukite, kol aparatas visiškai sustos.

| Sutrikimas | Galima priežastis | Sprendimas |
|--|--|---|
| Aparatas nepasileidžia. | Neprijungtas elektros maitinimas. | Prijunkite maitinimo šaltinį. |
| | Maitinimo laido defektas. | Nedelsdami atjunkite. Kreipkitės į vietines „Makita“ įgaliotąsias serviso dirbtuves, kad suremontuotų. |
| | Elektros grandinės defektas. | Kreipkitės į vietines „Makita“ įgaliotąsias serviso dirbtuves, kad suremontuotų. |
| Iš aparato sklinda traškesiai. | Nenuspaustas fiksavimo panaikinimo mygtukas. | Paspauskite fiksavimo panaikinimo mygtuką ir patraukite paleidimo / stabdymo svirtį. |
| | Pašalinė medžiaga įstrigo pjovimo įrankyje. | Išjunkite variklį, atjunkite (ištraukite kištuką) ir palaukite, kol sustos pjovimo įrankis. Tada pašalinkite pašalinę medžiagą. |
| Iš aparato sklinda keistas triukšmas. | Pavaros diržo defektas | Kreipkitės į vietines „Makita“ įgaliotąsias serviso dirbtuves, kad suremontuotų. |
| | Maitinimo šaltinio įtampa yra žemesnė, nei reikia. | Pamėginkite kitą maitinimo šaltinį. Patikrinkite, ar naudojamas tinkamas elektros šaltinis. |
| Prastas rezultatas. | Vėdinimo angos yra užsikimšusios. | Išvalykite vėdinimo angas. |
| | Žolė yra per aukšta. | Prieš puredami nupjaukite žolę. |
| Aparatas nepasiekia savo didžiausios galios. | Pjovimo įrankis yra susidėvėjęs arba pažeistas. | Pakeiskite. |
| | Purenamas paviršius viršija aparato galimybes. | Purenkite tik paviršius, kurie atitinka aparato galimybes. |
| | Purenimo gylis yra neteisingas. | Sureguliuokite pjovimo įrankio gylį. |

⚠️ ATSARGIAI!

- Šie priedai yra rekomenduojami naudoti su jūsų „Makita“ įrankiu, nurodytu šioje naudojimo instrukcijoje. Kitų priedų naudojimas gali kelti sužeidimų pavojų. Priedus naudokite tik pagal jų paskirtį.
- Jei jums reikia pagalbos ar daugiau informacijos apie šiuos priedus, kreipkitės į savo vietinį „Makita“ techninės priežiūros centrą.

Yra kelios pjovimo įrankio rūšys:

- Purenimo peilis: aštrūs ašmenys purena žemę ir pjauna šaknis.
- Grėbimo peilis (atskirai įsigyjamas priedas): pievelė ir lapai šalinami plonais strypeliais.
- Peilis „du viename“ (atskirai įsigyjamas priedas): grėbimas ir purenimas tuo pat metu.

ATKREIPKITE DĖMESĮ!

- Kai kurios šiame sąrašė esančios prekės gali būti pateikiamos įrankio komplekte kaip standartiniai priedai. Skirtingose šalyse jos gali būti skirtingos.

Tik Europos šalims

EB atitikties deklaracija

„Makita“ deklaruoja, kad toliau nurodytas įrenginys (-iai):

Aparato paskirtis:

Elektrinis aeratorius

Modelio Nr. / Tipas: UV3600

Atitinka šias Europos direktyvas:

2000/14/EB, papildyta 2005/88/EB, 2006/42/EB,

2004/108/EB, 2011/65/ES

Įrenginiai pagaminti laikantis toliau nurodytų standartų ar standartizuotų dokumentų:

EN60335, EN13684

Techninę bylą pagal 2006/42/EB galima įsigyti šiuo adresu:

Makita, Jan-Baptist Vinkstraat 2, 3070, Belgija

Atitikties įvertinimo procedūra pagal direktyvą 2000/14/EB atitiko priedą V.

Išmatuota garso galia: 99,53 dB (A)

Garantuojama garso galia: 104 dB (A)

21.11.2014



Yasushi Fukaya
Direktorius

Makita, Jan-Baptist Vinkstraat 2, 3070, Belgija

HOIATUS! Seadet tohivad kasutada 8-aastased ja vanemad lapsed ning vähenenud füüsilise, meelelise või vaimse võimekusega isikud või asjakohaste kogemuste ja teadmisteta isikud, kui nad töötavad järevalve all või neid on juhendatud seadme ohutu kasutamise osas ja nad mõistavad seotud ohte. Lastel ei tohi lasta seadmega mängida. Seadet ei tohi puhastada ega hooldada lapsed ilma järevalveta.

DETAILIDE TÄHISTUS (Joon. 1)

- | | | |
|--------------------------------|--------------------------------|-----------------------|
| 1. Käivitamise/seiskamise hoob | 7. Hoob | 13. Lõikur |
| 2. Lukustusnupp | 8. Klamber (x2) | 14. Polt ja vedruseib |
| 3. Ülemine käepide | 9. Rohukoguja | 15. Laager |
| 4. Alumine käepide | 10. Deflektori piire | 16. Veotelg |
| 5. Juhtme pingeleevendi | 11. Nupp | |
| 6. Käepideme kinniti | 12. Kõrguse reguleerimise hoob | |

TEHNILISED ANDMED

| | |
|-------------------------------------|--|
| Mudeli nimi | UV3600 |
| Pinge | 230–240 V |
| Sagedus | 50 Hz |
| Nimisisendvõimsus | 1 800 W |
| Netokaal | 15,3 kg |
| Kiirus ilma koormuseta | 3 500 min ⁻¹ |
| Maksimaalne lõikelaius | 360 mm |
| Töökõrguse ulatus | 4 astet (–10/–5/0/5 mm) |
| Rohukoguja mahutavus | 40 l |
| Kaitseklass | IPX4 |
| Helirõhu tase | 81,24 dB (A), K= 2,50 dB (A) |
| Helirõhu tase kasutaja kõrva juures | 85,5 dB (A), K= 2,50 dB (A) |
| Mõõdetud helivõimsuse tase | 99,53 dB (A), K= 4,50 dB (A) |
| Garanteeritud helivõimsuse tase | 104 dB (A) |
| Vibratsioon | 4,673 m/s ² , K= 1,5 m/s ² |

SÜMBOLID

Järgnevalt on toodud masinaga seotud sümbolid. Enne masina kasutamist veenduge, et teate kõigi sümbolite tähendust.



• Lugege kasutusjuhendit.



• Olge eriti ettevaatlik ja tähelepanelik.



• Topeltisolatsioon.



• Kandke kaitsekindaid.



• Kandke libisemiskindla tallaga tugevaid jalatseid.



• Kandke silma- ja kuulmiskaitsmeid.



• Oodake, kuni kõik masina detailid on täielikult seiskunud.



• Jälgige hoolikalt teravaid lõikureid.



• Lülitage mootor välja ja eemaldage toitepistik alati enne puhastamist või hooldustööde teostamist või kui toitejuhe saab kahjustada.



• Esemed võivad suurel kiirusel välja paiskuda.



• Hoidke ohutut vahemaad tööala ning kõrvalseisjate ja loomade vahel.



• Vältige kokkupuudet vihma ja niiskusega.



• Kui toitejuhe saab kahjustada või toimub sisselõige, siiseemaldage kohe toitepistik.



• Elektrilöögioht.



• Hoidke juhe lõikuritest ja ratastest eemal.



• Ainult liikmesriikidele EL-i
Ärge visake elektriseadmeid olmeprügi hulka!
Vastavalt Euroopa direktiivile elektri- ja elektroonikajäätmetekohta ning selle juurutamisele vastavalt riiklikele seadusandlustele tuleb kasutuselt kõrvaldatavad elektriseadmed eraldi kokku koguda ning toimetada keskkonnasõbralikku taaskasutuskeskusesse.

OHUTUSEGA SEOTUD HOIATUSED

LUGEGE ENNE KASUTAMIST HOOLIKALT LÄBI HOIDKE KASUTUSJUHEND ALLES



Ärge alustage masina kasutamist enne, kui olete kasutusjuhendi läbi lugenud. Järgige kõiki suuniseid ja paigaldage masin vastavalt kirjeldusele.

Masina kasutusotstarve

- Masin on ette nähtud kobestamiseks ja riisumiseks koduaias.
- Kobestaja on ette nähtud ainult isiklikuks ja mitteäriliseks kasutamiseks. Ärge kasutage masinat avalikes kohtades.

Üldise madalpinge süsteemide 220 V ja 250 V kohta.

Elektriaparatuuri lülitustoimingud põhjustavad voolu kõikumisi. Käesoleva seadme tööl ebasobivas vooluvõrgus võivad olla kahjustavad mõjud teiste seadmete tööle. Kui toiteliini näivtakistus on võrdne või väiksem kui 0,412 oomi, võib oletada, et negatiivsed mõjud puuduvad. Käesoleva seadme juures kasutatud toiteliini pesa on kaitstud kaitsme või aeglaselt rakenduva kaitselülitiga.

Üldised suunised

- Lugege kasutusjuhend läbi, et tutvuda masina käsitlemise põhimõtetega. Kui masinat käsitlevate abipiisavalt teavitatud isikud, suurenebtule-, elektrilöögi- või kehavigastuste oht nii kasutajale kui teistele isikutele.
- Ärge laenake masinat isikutele, kelle kogemustes ja teadmistes te ei ole kindel.
- Masina laenamisel pange alati kaasa käesolev kasutusjuhend.
- Masin ei ole ette nähtud kasutamiseks piiratud füüsiliste, sensoorsete või vaimsete võimete ning puudulike kogemuste ja teadmistega isikutele. Lapsi tuleb jälgida, veendumaks, et nad ei mängi masinaga.
- Kasutage masinat ainult siis, kui olete heas füüsilises seisundis. Töötage alati rahulikult ja ettevaatlikult. Kasutaja vastutab täielikult tööala läheduses

asuvate isikute ohutuse ja vara mittekahjustamise eest.

- Ärge kasutage seda masinat kunagi alkoholi või narkootikumide tarvitamise järel ega väsinuna või haigena.
- Tehke puhkepause, et vältida väsimusest tingitud kontrolli kaotamist masina üle. Soovitame teha iga tunni järel 10 kuni 20 minuti pikkuse puhkepausi.
- Kasutage masinat vastavalt nendele suunistele, arvestades konkreetsete töötingimuste ja rakenduse asjaoludega. Masina mittesihotstarbeline kasutamine võib tekitada ohtliku olukorra.
- Riiklikud või kohalikud eeskirjad võivad piirata masina käsitlemist.
- Olge tähelepanelik. Keskenduge sellele, mida teete. Kasutage tervet mõistust. Ärge käsitlege masinat väsinuna.

Isikukaitsevarustus

- Riietuge asjakohaselt. Kantavad rõivad peavad olema funktsionaalsed ja asjakohased, s.t hästiistuvad, kuid mitte liikumist takistavad. Ärge kandke ehteid ega selliseid rõivaid, mis võivad masina liikuvate osade vahele takerduda. Pikkade juuste korral kandke juukseid katvat peakatet.
- Kuulmiskahjustuste vältimiseks kandke alati kuulmiskaitsmeid.
- Kandke kaitseprille, et vältida õhku paiskuvat prahi ja väikeste osakeste sattumist silma.

- Kandke kaitsekindaid, et vältida sõrmede vigastamist.
- Vigastusohu vähendamiseks kandke tolumumaski.
- Masina kasutamisel kandke alati tugevaid mittelibiseva tallaga jalatseid. See kaitseb vigastuste eest ja tagab jalgadele kindla toetuspinna.
- Masina kasutamise ajal kandke alati tugevaid jalatseid ja pikki pükse. Ärge kasutage masinat paljajalu või kandes lahtisi jalatseid.

Tööala ohutus

- Masina kasutamise ajal hoidke lapsed, kõrvalised isikud ja loomad eemal.
- Veenduge, et tööalal ei leidu kive, juhtmeid, klaasi ega muid võõrkehi. Võõrkehad võivad masinasse takerduda või masin võib need õhku paisata, põhjustades kahjustusi või kehavigastusi.
- Käitage masinat ainult hea nähtavusega ja päevavalguses. Ärge käitage masinat pimedas või udu korral.
- Ärge käitage masinat plahvatusohtlikus keskkonnas, näiteks tuleohtlike vedelike, gaaside või tolmu läheduses. Masin tekitab sädemeid, mis võivad tolmu või aurud süüdata.
- Vältige masina jäämist vihma kätte või muul moel kokkupuudet vedelikega. Masinasse sattuv vesi võib suurendada elektrilöögiohtu.

Masina käivitamine

- Enne masina pistiku ühendamist või masina sisse lülitamist toimige järgmiselt.
 - Kontrollige pistikut ja juhett ning veenduge, et need on heas seisukorras.
 - Kontrollige, kas kõik kruvid, mutrid ja muud kinnitid on korralikult kinni.
 - Kontrollige, kas lõikurid on oma kohal ja heas töökorras.
 - Kontrollige, kas piirded ja ohutusseadmed, nagu deflektorid või rohukoguja, toimivad hästi.
 - Kontrollige, ega ventilatsioonivad pole kaetud tolmu või muude võõrkehadega. Ummistuse korral puhastage need pehme harja või riidelapiga.
 - Asendage kahjustatud või loetamatud sildid.
 - Vaadake hoolikalt üle masina iga detail, et määrata, kas see töötab korralikult ja täidab ettenähtud ülesannet. Eriti oluline on mitte kasutada masinat siis, kui lüliti ei tööta tavapärasel moel.
 - Soovimatu käivitumise vältimiseks veenduge, et lüliti on väljalülitatud asendis.
 - Kontrollige, kas kõik hooldustööriistad, näiteks mutrivõtmed, on eemaldatud.
- Kui toitejuhe on kahjustatud, paluge Makita volitatud

- hoolduskeskusel see asendada. Kasutage alati originaalvaruosi.
- Ärge kasutage masinat, kui ohutusseadised, nagu deflektori piire või rohukoguja, on kahjustatud või puuduvad.
 - Mootori sisselülitamisel toimige järgmiselt.
 - Hoidke jalad lõikuritest eemal.
 - Ärge kallutage masinat.
 - Ärge seiske väljutusava ees.
 - Ärge laske kätel, muudel kehaosadel või rõivastel sattuda kunagi liikuvate detailide lähedusse.

Elektriohutus

- Enne kasutamist veenduge, et masina ühenduspistik sobib olemasoleva pistikupesaga.
- Ärge modifitseerige ühenduspistikut.
- Ärge väärkasutage juhet. Ärge kasutage juhet kunagi masina kandmiseks, tõmbamiseks või pistiku eemaldamiseks vooluvõrgust. Hoidke juhe eemal kuumusest, õlidest, teravatest servadest ja liikuvatest osadest. Kahjustatud või takerdunud juhtmed suurendavad elektrilöögiohtu.
- Kontrollige regulaarselt, ega pikendusjuhtmel ei esine isolatsioonikahjustusi. Vahetage kahjustatud juhe välja.
- Kui ühendusjuhe on kahjustatud, eemaldage toitepistik kohe pistikupesast. Kahjustatud juhe

võib põhjustada kokkupuute pinge all olevate detailidega ja elektrilöögi.

- Ärge kasutage kunagi kahjustatud juhet.
- Hoidke toitejuhe ja pikendusjuhe lõikuritest ja ratastest eemal. Lõikurid võivad juhet kahjustada ning põhjustada elektrilöögi.
- Masina käitamisel välistingimustes kasutage alati diferentsiaalvoolu kaitselülitit talitlusvooluga 30 mA või vähem.
- Kasutage ainult välistingimusteks ette nähtud pritsmekindla ühendusega pikendusjuhet. Selle ristlõige peab olema kuni 25 m pikkuste juhtmete puhul vähemalt 1,5 mm² ja üle 25 m pikkuste juhtmete puhul 2,5 mm².
- Masina tohib ühendada ainult andmesildil näidatud pingele vastava toiteallikaga ning kasutada ainult ühefaasilise vahelduvvoolutoitega. Need on Euroopa standarditele vastavalt topeltisolatsiooniga ja neid võib seetõttu kasutada ka maandustraadita pistikupesades.
- Vältige kehalist kokkupuudet maandatud pindadega (nt torud, radiaatorid, elektripliidid, külmikud).

Käitamine

- Vältige kasutamist märjal murul. Märjal murul töötades olge eriti ettevaatlik, et vältida libisemist.

- Käitamise ajal hoidke mõlema käega tugevalt käepidemest kinni. Õnnetuste vältimiseks hoidke käepide alati kuiv ja puhas.
- Ärge jookskite. Kasutage masinat ainult kõndides.
- Kallakutel töötamisel jälgige eriti hoolikalt jalgealust pinda.
- Ärge töötage kallakutel otse üles või alla. Töötage alati horisontaalsuunas.
- Kallakutel olge masina pööramisel eriti ettevaatlik.
- Ärge töötage kunagi järsul kallakul.
- Tagurdamisel või masina enda suunas tõmbamisel olge äärmiselt ettevaatlik.
- Ärge küünitage üle. Hoidke kogu aeg kindlat jalgealust ja head tasakaalu. See tagab ootamatutes olukordades parema kontrolli masina üle.
- Pidage alati meeles järgmist.
 - Hoidke jalad lõikuritest eemal.
 - Ärge kallutage masinat.
 - Ärge seiske väljutusava ees.
 - Ärge laske kätel, muudel kehaosadel või rõivastel sattuda kunagi liikuvate detailide lähedusse.
- Ärge kasutage masina käitamisel jõudu. Masin töötab paremini ja ohutumalt selle jaoks ette nähtud kiirusel. Sage ülekoormus võib põhjustada mootori kahjustusi või tulekahju.
- Lülitage mootor välja ja eemaldage toitepistik alati:
 - enne masina jätmist järelevalveta;
 - enne ummistuse eemaldamist või rikke kõrvaldamist;
 - enne masina kontrollimist, puhastamist või masina juures tööde alustamist;
 - enne reguleerimistoimingute teostamist, tarvikute vahetamist või masina hoiule panemist;
 - kui masin tabab võõrkeha. Oodake, kuni masin on jahtunud, seejärel kontrollige masinat ja enne töö jätkamist vahetage osad vajadusel välja;
 - kui masin hakkab ebatavaliselt vibreerima või müra tegema;
 - enne rohukoguja paigaldamist või eemaldamist;
 - kui keegi siseneb tööalasse;
 - kui tuleb ületada pindu, mille katteks ei ole muru;
 - transportimisel.
- Peatage lõikur alati:
 - kui masinat on tarvis kallutada;
 - kui tuleb ületada pindu, mille katteks ei ole muru;
 - masina transportimisel tööalale ja sealt ära.
- Jälgige hoolikalt lõikureid. Need ei seisku kohe pärast masina väljalülitamist.

Hooldussuunised

- Laske masinat hooldada meie volitatud hoolduskeskuses, kus kasutatakse ainult originaalvaruosi. Vale parandamine ja kehv hooldus võib lühendada masina eluiga ja suurendada õnnetuste ohtu.
- Kontrollige masinat regulaarselt.
- Enne hooldustööde, ülevaatuste, reguleerimiste, hoiule panemise või tarvikute vahetamise alustamist tehke järgmist.
 - Lülitage toide välja.
 - Ühendage masin toiteallikast lahti.
 - Veenduge, et kõik liikuvad detailid on täielikult seiskunud.
 - Laske masinal maha jahtuda.
- Kontrollige masinat võimalike kahjustuste osas:
 - kas ohutusseadmed töötavad korralikult, täites ettenähtud ülesandeid;
 - kas kõik liikuvad detailid töötavad sujuvalt ja õigesti;
 - kas kõik detailid on kahjustamata ja õigesti paigaldatud;
 - kas lõikuril on märke kahjustustest, kulumisest või tasakaalustamatusest;
 - kas rohukogujal on märke kahjustustest või kulumisest;
 - kas kõik mutrid, poldid ja kruvid on korralikult kinni.

– Laske kahjustatud või kulunud detailid vahetada või parandada meie volitatud hoolduskeskuses.

- Teostage ainult neid hooldus- ja parandustöid, mida kirjeldatakse selles kasutusjuhendis. Mis tahes muud tööd peab teostama Makita volitatud hoolduskeskus.
- Kasutage ainult teie masinale ette nähtud originaalseid Makita varuosi ja tarvikuid. Vastasel juhul võib tagajärjeks olla kehavigastus või masina kahjustus.
- Hoidke masinat kuivas ruumis. Hoidke masinat lastele kättesaamatus kohas. Ärge hoidke masinat kunagi õues.

Vibratsioon

- Nõrga vereringega inimestel võib kokkupuutumine ülemäärase vibratsiooniga põhjustada veresoonte või närvisüsteemi vigastusi. Vibratsioon võib kutsuda sõrmedel, kätel või randmetel esile järgmisi sümptomeid: „ärasuremine” (tuimus), surisemine, valu, torkimistunne, naha värvi või välimuse muutus. Mis tahes taolise sümptomi ilmnemisel pöörduge arsti poole.
- Kohtvibratsiooni ohu vähendamiseks hoidke käed masina käitamise ajal soojas ning hooldage korralikult seadmeid ja lisatarvikuid.

⚠ HOIATUS!

- Masin tekitab töötamise ajal elektromagnetvälja. Meditsiiniliste implantaatidega isikutel on soovitatav konsulteerida enne masina kasutamist arsti ja implantaadi tootjaga. Elektromagnetväli võib mõjutada meditsiinilise implantaadi tööd ja põhjustada raske kehavigastuse.

PAIGALDUS

⚠ ETTEVAATUST!

- Enne masina juures tööde alustamist veenduge alati, et masin on välja lülitatud ja toitepistik vooluvõrgust eemaldatud.

Käepideme paigaldamine (Joon. 2, 3)

- 1) Kinnitage alumine käepide (4) nuppude (11) abil masina külge.
- 2) Asetage ülemine käepide (3) alumise käepideme peale ja seejärel kinnitage need kahe eraldaja, mutri ja hoovaga (7).
- 3) Kinnitage juhe klambritega (8) käepideme külge.

Rohukoguja paigaldamine

⚠ ETTEVAATUST!

- Ärge käituge masinat ilma rohukogujata. Vastasel juhul võivad väljapaiskuvad esemed põhjustada kehavigastusi.
- Kui avatud tagumiste rullikute ja tagumise väljutusega seadet kasutatakse ilma kogujata, tuleb kanda täielikku silmakaitset.

MÄRKUS.

- Kui rohukoguja on täis, siis masina jõudlus väheneb. Tühjendage rohukogujat regulaarselt enne selle täielikku täitumist.

Rohukoguja paigaldamine

Tõmmake deflektori piire (10) üles ja hoidke selles asendis. Sisestage rohukoguja konksud masina soontesse.

Rohukoguja eemaldamine

Tõmmake deflektori piire (10) üles ja hoidke selles asendis. Eemaldage rohukoguja, vabastades konksud masina soontest.

Juhtme pingeleevendi (Joon. 4)

Juhtme pingeleevendi (5) aitab vältida juhtme takerdumist laba või ratta vahele.

Tehke toitejuhtme otsa väike silmus, suunake see läbi juhtme pingeleevendi ava ja seejärel riputage konksu külge.

Töötamise ajal arvestage alati juhtme paiknemisega. Alustage tööd toiteallikale lähimast piirkonnast, et vältida juhtme tahtmatut katkilõikamist. Soovitav on hoida juhett töötamise ajal üle öla.

Lõikuri eemaldamine või paigaldamine

⚠ ETTEVAATUST!

- Kandke kaitsekindaid.
- Lõikuri käsitsemisel olge eriti ettevaatlik. See on väga terav ja võib töötamise ajal kuumeneda.
- Kasutage alati tööülesandele vastavat lõikurit.
- Enne töö alustamist veenduge, et kaks polti, mis hoiavad lõikurit masina küljes, on korralikult kinni. Ärge kasutage masinat, kui polt on lahti või puudub. Kui polt on kahjustatud, asendage see kohe.

Lõikuri eemaldamine

- 1) Eemaldage rohukoguja (9).
- 2) Eemaldage masina küljest käepide.
- 3) Asetage masin tagurpidi tasasele pinnale.
- 4) Keerake lahti kaks polti (14). Eemaldage need ja vedruseibid.
- 5) Tõstke üles lõikuri laagriosa (15) ja seejärel tõmmake lõikur (13) veoteljelt (16) välja.

Lõikuri paigaldamine

- 1) Sisestage lõikur, libistades selle kuuskantmutriosi veotelje pesasse.
- 2) Kinnitage laagriosa poltide ja vedruseibidega masina külge.

FUNKTSIOONIDE KIRJELDUS

⚠ HOIATUS!

- Enne masina toitepistiku ühendamist veenduge alati, et masin on välja lülitatud. Toitepistiku ühendamine siis, kui masin on sisse lülitatud, võib põhjustada ootamatu käivitumise, mis võib tekitada raske kehavigastuse.
- Ärge kasutage masinat, kui toitejuhe on kahjustatud. Vastasel juhul võib see põhjustada elektrilöögi.

- Ärge kasutage masinat, kui lüliti ei lülita seda sisse ega välja. Laske defektne lüliti Makita volitatud hoolduskeskuses uuega asendada.

Käivitamise/seiskamise hoob

Masina käivitamiseks vajutage ja hoidke lukustusnuppu (2) ja seejärel tömmake käivitamise/seiskamise hoob (1) lõpuni ja hoidke seda. Pärast käivitamise/seiskamise hooa tõmbamist ei ole enam tarvis lukustusnuppu hoida.

Masina seiskamiseks vabastage lihtsalt käivitamise/seiskamise hoob.

Käepideme kaldenurga reguleerimine

Ülemise käepideme kaldenurka saab muuta.

- 1) Avage käepideme kinnitused (6).
- 2) Reguleerige ülemise käepideme (3) kaldenurka.
- 3) Lukustage uuesti käepideme kinnitused.

Kõrguse reguleerimine

Reguleerige lõikuri kõrgust olenevalt muru seisukorrast. Sügavuse seadistuste üldise viitena vaadake allolevat tabelit.

| Kõrgus | Kasutus | |
|--------|---|--|
| | Kobestamine | Riisumine (valikuline lisatarvik) |
| +5 mm | Transportimisel ja hoiustamisel. Õrna muru kobestamine. Õhukeste kihtide eraldamine. Teine kobestamine sügisel. | Transportimisel ja hoiustamisel. Harilikku muru riisumine. |
| 0 mm | Harilikku muru kobestamine. Tavalise kihhi eraldamine. | Tugeva tiheda muru riisumine. |
| -5 mm | Harilikku muru kobestamine. Paksu kihhi eraldamine. | ÄRGE kasutage riisumiseks. |
| -10 mm | Tugeva tiheda muru kobestamine. Paksu kihhi eraldamine. | ÄRGE kasutage riisumiseks. |

Kõrguse muutmine

Lükake kõrguse reguleerimise hooa (12) väljapoole ja liigutage see soovitud asendisse.

Ülekoormuse kaitse

Masinale on paigaldatud ülekoormuse kaitse, mis rakendub järgmistel tingimustel:

- kui lõikur ummistub kobestusmaterjali kogunemise tõttu selle ümbrusesse;
- kui masin püüab kobestada mootori võimsust ületavat mahtu;
- kui miski takistab lõikuri pöörlemist.

Selle kaitse rakendamisel lülitub masin automaatselt välja.

Sellisel juhul eemaldage masina toitepistik, laske masinal maha jahtuda ja kõrvaldage enne masina taaskäivitamist ülekoormuse põhjus.

KÄITAMINE

Käitamise näpunäited

- Niitke muru enne ja väetage pärast käitamist.
- Reguleerige lõikuri sügavust vastavalt muru kõrgusele ja ilmastikuoludele.
- Vältige kasutamist märjal murul. Märg rohi kipub kleepuma väljutusava ja teiste masina osade külge. Ühtlasi võib see põhjustada libisemist ja kukkumist.
- Ärge liikuge liiga kiiresti. Lükake masinat aeglaselt. Vastasel juhul võib väljutusava ummistuda ja mootor üle kuumeneda.
- Liikuge mööda sirgjoont võimalikult otse.
- Tehke pisut kattuvaid kobestusradu. Nii saavutate ühtlase ja sileda pinna.
- Kui tööalal paikneb lillepeenar, tehke ümber selle ring või kaks.
- Masina pöörlemisel olge eriti ettevaatlik.
- Ärge jääge ühte kohta seisma. See kahjustab muru.

Näpunäiteid kobestamisel

- Arvestage alati ilmastikuoludega. Soe, päikesepaisteline ja märg ilm sobib kobestamiseks hästi, kuna muru saab korralikult taastuda. Vältige töötamist külma, kuuma ja kuiva ilma korral.
- Kobestage muru kevadel.
- Kui suvi on vihmane, siis kobestage muru varasügisel.
- Hoiduge kobestamisest äärmiselt kuumade ilmade ajal.
- Kui suvi on väga kuiv, siis ärge sügisel kobestage.

Näpunäiteid riisumisel

- Rohujuurte ümbruses peab olema piisavalt õhku, et kevadel oleks tagatud korralik kasv.
- Soovitatav on teostada muru õhutamistoiming iga 4 kuni 6 nädala järel vastavalt muru seisukorrale.

HOOLDUS

⚠ ETTEVAATUST!

- Enne ülevaatusoimingute või hooldustööde alustamist veenduge alati, et masin on välja lülitatud ja toitepistik eemaldatud.
- Enne ülevaatusoimingute või hooldustööde alustamist pange kätte kaitsekindad.
- Lõikur ei seisku kohe pärast masina väljalülitamist. Enne hooldustööde alustamistoodake, kuni kõik detailid on seiskunud.
- Pärast hooldustööde lõpetamist veenduge, et masinast on eemaldatud kõik tööriistad.

- Ärge kasutage puhastamiseks bensiini, lahusteid, alkoholi ega muid sarnaseid aineid. Vastasel juhul võib tulemuseks olla lüüdnud värv, masina deformatsioon või praod. Kasutage masina puhastamiseks ainult niisket riiidelappi ja pehmet harja.
- Ärge kastke ega puhastage masinat kõrgsurve veega.

Masina transportimisel pidage silmas järgmist.

- Lülitage mootor välja, eemaldage toitepistik ja laske lõikuril seiskuda.
- Reguleerige lõikuri sügavus transpordikõrgusele.
- Transportige masinat alati käepidemest hoides.
- Vältige tugevaid lööke ja vibratsiooni.
- Sõidukiga transportimise korral kinnitage masin korralikult.

Iga kasutuskorra järel teostage järgmised toimingud.

- Lülitage mootor välja, eemaldage toitepistik ja laske lõikuril seiskuda.
- Puhastage rohukoguja. Hoidke seda kuivas ruumis.
- Kontrollige, puhastage ja hoidke masinat kuivas ruumis.

Teostage regulaarselt järgmisi töid.

- Kontrollige, kas kõik kinnitused, nagu kruvid, mutrid jms, on korralikult kinni.
- Kontrollige võimalike defektide olemasolu, nagu lahtised, kulunud või kahjustatud osad. Vajadusel asendage need.
- Kontrollige, ega katted või piirded pole kahjustatud või deformeerunud.
- Kui masin hakkab töötamise ajal ebatavaliselt vibreerima, võib selle põhjuseks olla võõrkehaga kokkupõrke tagajärjel tasakaalust välja läinud või deformeerunud lõikur. Sellisel juhul laske lõikur volitatud hoolduskeskuses parandada või asendada.
- Aja jooksul lõikur kulub. Kontrollige lõikuri seisukorda ja stabiilsust regulaarselt. Asendage kulunud või nõrkenud lõikur.
- Enne masina hoiule asetamist määrige kõik keermega detailid.

VEAOTSING

HOIATUS! Enne vealikvideerimise asumist lülitage masin välja, tõmmake välja toitepistik ja oodake, kuni masin on täielikult seiskunud.

| Tõrge | Võimalik põhjus | Lahendus |
|-------------------------------------|---|---|
| Masin ei käivitu. | Toiteallikas ei ole ühendatud. | Ühendage toiteallikas. |
| | Toitejuhtme defekt. | Eemaldage pistik koheselt vooluvõrgust. Laske see parandada kohalikus volitatud Makita teeninduskeskuses. |
| | Vooluahela defekt. | Laske see parandada kohalikus volitatud Makita teeninduskeskuses. |
| | Lukustusnupp ei ole alla vajutatud. | Vajutage lukustusnuppu ja tõmmake käivitamise/seiskamise hooba. |
| Masinast kostub praksumaid helisid. | Võõrkehad on takerdunud lõikurisse. | Lülitage mootor välja, eemaldage toitepistik ja laske lõikuril seiskuda. Seejärel eemaldage võõrkeha. |
| Masinast kostub kummalisi helisid. | Veorihma defekt. | Laske see parandada kohalikus volitatud Makita teeninduskeskuses. |
| Masin ei saavuta maksimumvõimsust. | Toiteallika pinge on vajalikust nõrgem. | Ühendage teise toiteallikaga. Kontrollige, kas kasutate asjakohast toiteallikat. |
| | Ventilatsiooniavad on ummistunud. | Puhastage ventilatsiooniavad. |
| Töö tulemus on kehv. | Rohi on liiga kõrge. | Niitke enne kobestamist muru. |
| | Lõikur on kulunud või kahjustatud. | Vahetage uue vastu. |
| | Kobestatav pind ületab masina võimsust. | Kobestage ainult sellist pinda, mis vastab masina võimsusele. |
| | Kobestussügavus on vale. | Reguleerige lõikuri sügavust. |

⚠ ETTEVAATUST!

- Need tarvikud ja lisaseadmed on soovitatavad kasutamiseks selles juhendis kirjeldatud Makita tööriistaga. Mis tahes muude tarvikute ja lisaseadmete kasutamine võib põhjustada kehavigastuste ohtu. Kasutage tarvikuid ja lisaseadmeid ainult sihtotstarbeliselt.
- Kui soovite seoses nende tarvikutega abi või lisateavet, pöörduge kohaliku Makita teeninduskeskuse poole.

Lõikureid on mitu erinevat tüüpi.

- Kobestuslaba – laba terav serv kobestab maapinda ja lõikab juuri.
- Riisumislaba (valikuline lisatarvik) – eemaldab rohu ja lehed peenikeste piide abil.
- Kaks ühes laba (valikuline lisatarvik) – üheaegne riisumine ja kobestamine.

VIHJE

- Mõned loendis toodud detailid võivad olla tööriista tarnekomplektis standardtarvikutena. Need võivad riigiti erineda.

Ainult Euroopa riikides

EÜ vastavusdeklaratsioon

Makita kinnitab, et alljärgnev(ad) Makita seade (seadmed):

Masina nimetus:

Elektriline kobestaja

Mudeli nr/tüüp: UV3600

vastavad järgmistele Euroopa direktiividele:

2000/14/EÜ muudetud direktiividega 2005/88/EÜ,

2006/42/EÜ, 2004/108/EÜ, 2011/65/EL

Ning on toodetud vastavalt järgmistele standarditele või standardiseeritud dokumentidele:

EN60335, EN13684

Tehnilised andmed kooskõlas direktiiviga 2006/42/EÜ on saadaval:

Makita, Jan-Baptist Vinkstraat 2, 3070, Belgia

Direktiiviga 2000/14/EÜ nõutav vastavuse hindamise toiming teostati vastavalt lisale V.

Mõõdetud helivõimsuse tase: 99,53 dB (A)

Garanteeritud helivõimsuse tase: 104 dB (A)

21.11.2014



Yasushi Fukaya
Direktor

Makita, Jan-Baptist Vinkstraat 2, 3070, Belgia

OSTRZEŻENIE: Urządzenie może być użytkowane przez dzieci powyżej 8 roku życia lub przez osoby niebędące w pełni władz fizycznych, poznawczych lub umysłowych, bądź nieposiadające odpowiedniej wiedzy i doświadczenia, o ile jest nad nimi roztoczony nadzór lub jeśli otrzymały one odpowiednie instrukcje dotyczące bezpiecznego użytkowania urządzenia i rozumieją związane z tym niebezpieczeństwo. Nie wolno pozwalać, aby dzieci bawiły się urządzeniem. Dzieci bez nadzoru nie mogą czyścić urządzenia ani wykonywać czynności konserwacyjnych.

OPIS CZĘŚCI (Rys. 1)

- | | | |
|---|-----------------------|----------------------------------|
| 1. Dźwignia start/stop | 6. Zacisk uchwyty | 12. Dźwignia regulacji wysokości |
| 2. Przycisk blokady | 7. Dźwignia | 13. Element tnący |
| 3. Górna część uchwyty | 8. Zacisk (x2) | 14. Śruba i podkładka sprężysta |
| 4. Dolna część uchwyty | 9. Kosz na trawę | 15. Łożysko |
| 5. Zaczep zmniejszający naprężenie przewodu | 10. Osłona wyrzutnika | 16. Wał napędowy |
| | 11. Pokrętko | |

DANE TECHNICZNE

| | |
|---|--|
| Nazwa modelu | UV3600 |
| Napięcie | 230-240 V |
| Częstotliwość | 50 Hz |
| Moc znamionowa | 1 800 W |
| Masa netto | 15,3 kg |
| Prędkość bez obciążenia | 3 500 min ⁻¹ |
| Maksymalna szerokość cięcia | 360 mm |
| Zakres wysokości roboczej | 4 kroków (-10/-5/0/5 mm) |
| Objętość kosza na trawę | 40 l |
| Klasa ochrony | IPX4 |
| Poziom ciśnienia akustycznego | 81,24 dB (A), K= 2,50 dB (A) |
| Poziom ciśnienia akustycznego przy uchu operatora | 85,5 dB (A), K= 2,50 dB (A) |
| Mierzona moc akustyczna | 99,53 dB (A), K= 4,50 dB (A) |
| Gwarantowana moc akustyczna | 104 dB (A) |
| Drgania | 4,673 m/s ² , K= 1,5 m/s ² |

SYMBOLE

Poniżej przedstawiono symbole stosowane w przypadku opisywanego urządzenia. Przed rozpoczęciem jego użytkowania należy się upewnić, że są one zrozumiałe.



• Należy przeczytać instrukcję obsługi.



• Zachować szczególną ostrożność.



- Podwójna izolacja.



- Nosić rękawice ochronne.



- Nosić solidne obuwie robocze na podeszwie antypoślizgowej.



- Nosić okulary ochronne i stosować odpowiednią ochronę słuchu.



- Należy poczekać, aż wszystkie części urządzenia zatrzymają się.



- Należy zwracać uwagę na ostry element tnący.



- Należy wyłączyć silnik i odłączyć zasilanie przed czyszczeniem lub konserwacją urządzenia lub jeśli przewód zasilania jest uszkodzony.



- Urządzenie może wyrzucać materiał z dużą prędkością.



- Należy uważać, aby osoby postronne i zwierzęta przebywały w bezpiecznej odległości od obszaru roboczego.



- Nie wystawiać na działanie deszczu czy wilgoci.



- Jeśli kabel zostanie uszkodzony lub przecięty, należy natychmiast wyciągnąć wtyczkę z gniazda zasilania.



- Niebezpieczeństwo porażenia prądem.



- Należy uważać, aby przewód zasilania nie znalazł się w pobliżu elementu tnącego lub koła.



- Dotyczy tylko państw UE Nie wyrzucać urządzeń elektrycznych wraz z odpadami komunalnymi! Zgodnie z Europejską Dyrektywą w sprawie zużytego sprzętu elektrotechnicznego i elektronicznego oraz dostosowaniem jej do prawa krajowego, zużyte urządzenia elektryczne należy segregować i utylizować w sposób przyjazny dla środowiska.

OSTRZEŻENIA DOTYCZĄCE BEZPIECZEŃSTWA

**PRZECZYTAĆ UWAŻNIE
PRZED ROZPOCZĘCIEM
UŻYTKOWANIA
INSTRUKCJĘ OBSŁUGI
NALEŻY ZACHOWAĆ DO
WGLĄDU**



- Urządzenie można uruchomić dopiero po przeczytaniu instrukcji obsługi. Należy przestrzegać wszystkich podanych instrukcji i zmontować urządzenie zgodnie z opisem.

Przeznaczenie urządzenia

- Urządzenie jest przeznaczone do wertykulacji lub zagrabiania w ogrodzie.
- Wertykulator jest przeznaczony tylko do użytku prywatnego, a nie komercyjnego. Nie należy go używać w miejscach publicznych.

W przypadku niskonapięciowych sieci elektroenergetycznych o napięciu pomiędzy 220 V a 250 V.

Włączanie i wyłączanie urządzeń elektrycznych powoduje wahania napięcia. Posługiwanie się urządzeniem przy niesprzyjających parametrach zasilania może mieć niekorzystny wpływ na działanie innych urządzeń. Przy impedancji sieci zasilającej mniejszej lub równej 0,412 Ohm można założyć, że niekorzystne efekty nie wystąpią. Gniazdo zasilające używane do podłączenia tego urządzenia powinno być zabezpieczone bezpiecznikiem topikowym lub automatycznym o zwłocznej charakterystyce wyłączenia.

Ogólne instrukcje

- Należy przeczytać instrukcję, aby zapoznać się ze sposobem obsługi urządzenia. Obsługa urządzenia przez użytkowników, którzy nie zostali odpowiednio poinstruowani, zwiększa zagrożenie pożaru, porażenia prądem lub obrażeń użytkownika oraz osób postronnych.

- Nie należy używać urządzenia osobom, których doświadczenie nie zostało potwierdzone.
- Używając urządzenia, należy zawsze dołączyć instrukcję obsługi.
- Urządzenie nie jest przeznaczone do użytkowania przez osoby niebędące w pełni władz fizycznych, poznawczych lub umysłowych, bądź nieposiadające odpowiedniej wiedzy i doświadczenia. Należy uważać, aby małe dzieci nie miały dostępu do urządzenia i nie mogły się nim bawić.
- Narzędzie powinno być używane tylko przez osoby w odpowiedniej formie fizycznej. Wszelkie czynności powinny być wykonywane spokojnie i ostrożnie. Użytkownik jest odpowiedzialny za bezpieczeństwo osób i mienia w pobliżu miejsca użytkowania urządzenia.
- Nie wolno używać narzędzia, będąc pod wpływem alkoholu lub narkotyków, albo gdy jest się zmęczonym lub chorym.
- Należy robić odpoczynki, aby uniknąć utraty kontroli nad urządzeniem. Zalecamy robić przerwę 10- lub 20-minutową co każdą godzinę.
- Urządzenie należy użytkować zgodnie z niniejszą instrukcją, mając na uwadze warunki pracy i jego zastosowanie. Użycie urządzenia w sposób niezgodny z jego przeznaczeniem może stwarzać zagrożenie.

- Przepisy krajowe lub lokalne mogą ograniczać wykorzystanie tego urządzenia.
- Należy zachować czujność. Zwracać uwagę na wykonywane czynności. Postępować zgodnie ze zdrowym rozsądkiem. Nie używać urządzenia, gdy jest się zmęczonym.
- Podczas obsługi urządzenia należy zawsze nosić odpowiednio mocne obuwie i długie spodnie. Nie wolno używać urządzenia, nie mając na stopach obuwia lub nosząc otwarte sandały.

Bezpieczeństwo w obszarze roboczym

Sprzęt ochrony osobistej

- Do obsługi urządzenia należy się właściwie ubierać. Odzież noszona podczas pracy powinna być funkcjonalna i właściwa, tzn. powinna przylegać do ciała, ale nie może krępować ruchów. Nie nosić biżuterii lub odzieży, która mogłaby się zaplątać w urządzeniu. Długie włosy należy schować pod odpowiednim nakryciem głowy.
- Należy nosić środki ochrony słuchu, aby zapobiec jego utracie.
- Należy nosić okulary lub gogle ochronne, aby chronić oczy przed wyrzucanymi przedmiotami i odpadkami.
- Należy nosić rękawice ochronne, aby zapobiec urazom dłoni.
- Aby zmniejszyć ryzyko urazu, należy nosić maskę przeciwkurzową.
- Podczas pracy z urządzeniem należy zawsze nosić wytrzymałe obuwie na podeszwie antypoślizgowej. Takie obuwie chroni przed obrażeniami i zapewnia stabilne oparcie.
- Podczas pracy urządzenia nie można dopuszczać w pobliże dzieci, zwierząt oraz osób postronnych.
- Sprawdzić, czy w obszarze roboczym nie ma kamieni, drutów, szkła lub innych przeszkód. Mogą one zostać pochwycone lub wyrzucone przez urządzenie, co może być powodem strat materialnych lub urazów.
- Urządzenie należy użytkować tylko przy dobrej widoczności i przy dziennym świetle. Nie używać urządzenia w ciemności lub we mgle.
- Urządzenia nie wolno używać w miejscach zagrożonych wybuchem, na przykład w pobliżu łatwopalnych cieczy, gazów lub pyłów. Urządzenie wytwarza iskry, które mogą spowodować zapalenie się pyłu lub oparów.
- Urządzenie należy chronić przed deszczem i wilgocią. Woda, która dostanie się do wnętrza urządzenia, zwiększa ryzyko porażenia prądem elektrycznym.

Uruchamianie urządzenia

- Przed włączeniem wtyczki zasilania lub włączeniem urządzenia:
 - Sprawdzić wtyczkę i przewód zasilający, aby upewnić się, że są w dobrym stanie.
 - Sprawdzić, czy wszystkie wkręty, nakrętki i inne elementy mocujące są prawidłowo dokręcone.
 - Sprawdzić czy elementy tnące są prawidłowo umocowane i w dobrym stanie technicznym.
 - Sprawdzić, czy osłony i zabezpieczenia, takie jak osłony wyrzutnika lub kosz na trawę, funkcjonują prawidłowo.
 - Sprawdzić, czy otwory wentylacyjne nie są zakryte przez kurz lub zanieczyszczenia. Jeśli są zablokowane, należy je oczyścić miękką szczotką lub szmatką.
 - Wymienić uszkodzone lub nieczytelne etykiety informacyjne.
 - Dokładnie sprawdzić wszystkie części urządzenia, aby mieć pewność, że działa ono prawidłowo i spełnia swoją funkcję. Zwłaszcza nie wolno nigdy użytkować urządzenia, którego włącznik nie działa prawidłowo.
 - Należy upewnić się, że przełącznik ustawiony jest w położeniu wyłączenia, aby

zapobiec mimowolnemu uruchomieniu.

- Sprawdzić, czy wszystkie narzędzia używane przy konserwacji, takie jak klucz francuski lub klucz płaski, są usunięte.
- Jeśli przewód zasilania jest uszkodzony, należy zwrócić się do autoryzowanego punktu serwisowego Makita o jego wymianę, zawsze z użyciem oryginalnych części.
- Nie wolno użytkować urządzenia, jeśli jakieś zabezpieczenie, takie jak osłona wyrzutnika lub kosz na trawę jest uszkodzone lub go brak.
- Przy włączaniu silnika:
 - Trzymać stopy z dala od elementów tnących.
 - Nie przechylać urządzenia.
 - Nie stawać przed otworem wyrzutnika.
 - Nie zbliżać dłoni, innych części ciała lub ubioru do ruchomych części.

Zasady bezpieczeństwa dotyczące urządzeń elektrycznych

- Przed użyciem sprawdzić, czy wtyczka przyłączeniowa urządzenia pasuje do gniazda.
- Nie wolno modyfikować wtyczki.
- Należy ostrożnie postępować z przewodem. Nie wolno wykorzystywać go do przenoszenia lub przeciągania urządzenia, ani do wyciągania wtyczki z gniazda. Przewód

należy trzymać z dala od źródeł ciepła, olejów, ostrych krawędzi lub ruchomych części. Uszkodzone lub splątane przewody zasilające zwiększają ryzyko porażenia prądem elektrycznym.

- Należy regularnie sprawdzać, czy izolacja przewodu przedłużeniowego nie jest uszkodzona. W razie uszkodzeń należy przewód wymienić.
- Jeśli przewód zasilający jest uszkodzony, należy natychmiast wyciągnąć wtyczkę z gniazda zasilania. Uszkodzony przewód może spowodować zetknięcie z częściami pod napięciem i porażenie prądem.
- Nie wolno używać uszkodzonych przewodów.
- Należy utrzymywać przewód zasilający i przewód przedłużeniowy z dala od elementów tnących i kół. Elementy tnące mogą uszkodzić przewód i spowodować porażenie prądem elektrycznym.
- Jeśli urządzenie jest używane na wolnym powietrzu, należy zawsze stosować wyłącznik różnicowo-prądowy o prądzie załączającym nie większym niż 30 mA.
- Do pracy na wolnym powietrzu należy stosować tylko przewód przedłużeniowy z przyłączem odpornym na rozpryski. Jego przekrój musi wynosić conajmniej $1,5 \text{ mm}^2$ w przypadku przewodu

o długości do 25 m oraz $2,5 \text{ mm}^2$ w przypadku długości przewodu ponad 25 m.

- Urządzenie wolno podłączać tylko do źródeł zasilania o napięciu zgodnym z napięciem podanym na tabliczce znamionowej. Można je zasilać wyłącznie jednofazowym prądem przemiennym. Jest ono podwójnie izolowane zgodnie z normą europejską, dlatego też można je zasilać z gniazda bez uziemienia.
- Unikać kontaktu z uziemionymi powierzchniami (np. rury, grzejniki, kuchenki, lodówki).

Obsługa

- Należy unikać pracy na mokrej trawie. Jeśli trawa jest mokra, należy zachować szczególną ostrożność, aby nie pośliznąć się.
- Podczas pracy należy trzymać uchwyt dwiema rękami. Uchwyt powinien być suchy i czysty, aby nie był przyczyną wypadku.
- Nie wolno biec podczas pracy. Należy poruszać się powoli.
- Podczas pracy na zboczach należy zwrócić szczególną uwagę na podparcie stóp.
- Nie przesuwaj urządzenia w górę i w dół prostopadle do zbocza. Należy zawsze pracować w linii poziomej.
- Przy zawracaniu na zboczach należy zachować szczególną ostrożność.

- Nie wolno pracować na stromych zboczach.
- Należy zachować najwyższą ostrożność przy cofaniu lub przyciąganiu urządzenia do siebie.
- Nie wolno sięgać urządzeniem zbyt daleko. Należy stać pewnie, aby nie stracić równowagi. Taka postawa gwarantuje lepsze opanowanie urządzenia w niespodziewanych sytuacjach.
- Należy zawsze pamiętać:
 - Trzymać stopy z dala od elementów tnących.
 - Nie przechylać urządzenia.
 - Nie stawać przed otworem wyrzutnika.
 - Nie zbliżać dłoni, innych części ciała lub ubioru do ruchomych części.
- Nie przeciążać urządzenia. Praca w przewidzianym tempie pozwoli wykonać zadanie lepiej i bezpieczniej. Częste przeciążanie może spowodować uszkodzenie silnika lub pożar.
- Należy wyłączyć silnik i odłączyć zasilanie w następujących przypadkach:
 - Zawsze, gdy urządzenie pozostaje bez nadzoru
 - Przed odblokowaniem lub usunięciem usterki
 - Przed sprawdzeniem, czyszczeniem lub konserwacją urządzenia
 - Przed regulacją, wymianą akcesoriów lub przechowywaniem
- Gdy urządzenie natrafi na przeszkodę. Poczekać, aż urządzenie ostygnie. Przed dalszą pracą sprawdzić urządzenie i w razie konieczności wymienić części
- Gdy urządzenie zaczyna nietypowo drgać lub zaczyna wydawać nietypowe odgłosy
- Przed założeniem lub zdjęciem kosza na trawę
- Gdy ktoś wejdzie w obszar roboczy
- Przy przejeżdżaniu przez podłoże inne niż trawa
- Przed transportem.
- Zatrzymać element tnący:
 - Jeśli trzeba przechylić urządzenie
 - Przy przejeżdżaniu przez podłoże inne niż trawa
 - Podczas transportu urządzenia do i z obszaru roboczego.
- Należy zwracać uwagę na elementy tnące. Nie zatrzymują się one natychmiast po wyłączeniu.

Instrukcje dotyczące konserwacji

- Urządzenie powinno być serwisowane przez autoryzowany punkt serwisowy, zawsze z użyciem oryginalnych części. Niewłaściwie przeprowadzone naprawy i nieodpowiednia konserwacja mogą skrócić okres użytkowania

urządzenia i zwiększyć ryzyko wypadku.

- Należy regularnie sprawdzać stan urządzenia.
- Przed serwisowaniem, oględzinami, regulacją, przechowywaniem lub wymianą akcesoriów należy wykonać następujące czynności:
 - Wyłączyć źródło zasilania
 - Odłączyć urządzenie od zasilania
 - Upewnić się, że wszystkie części ruchome przestały się poruszać
 - Pozostawić urządzenie do ostygnięcia.
- Sprawdzić ewentualne uszkodzenia urządzenia:
 - Czy zabezpieczenia działają prawidłowo i zgodnie z przeznaczeniem
 - Czy wszystkie ruchome części pracują płynnie i prawidłowo
 - Czy wszystkie części są nieuszkodzone i prawidłowo zamontowane
 - Sprawdzać, czy element tnący nie jest uszkodzony, zużyty lub źle wyważony
 - Regularnie sprawdzać uszkodzenia lub zużycie kosza na trawę
 - Sprawdzić czy wszystkie nakrętki, śruby i wkręty są dokręcone
 - Jeśli jakieś części są uszkodzone lub zużyte, powinny zostać wymienione lub naprawione przez

autoryzowany punkt serwisowy.

- Nie wolno przeprowadzać czynności konserwacyjnych bądź napraw innych niż opisane w niniejszej instrukcji obsługi. Wszelkie inne czynności powinny być wykonywane przez autoryzowany punkt serwisowy Makita.
- Należy stosować wyłącznie oryginalne części zamienne i akcesoria firmy Makita przeznaczone do danego urządzenia. W przeciwnym wypadku istnieje zagrożenie urazu operatora lub uszkodzenia urządzenia.
- Urządzenie należy przechowywać w suchym pomieszczeniu. Trzymać z dala od dzieci. Nie przechowywać urządzenia na wolnym powietrzu.

Drgania

- U osób z problemami krążeniowymi, które są narażone na działanie zbyt intensywnych drgań, może dochodzić do uszkodzenia naczyń krwionośnych lub układu nerwowego. Drgania mogą wywoływać poniższe objawy w palcach, rękach lub nadgarstkach: „cierpięcie” (odrętwienie), mrowienie, bóle, wrażenie klucia, zmiany w zabarwieniu skóry lub zmiany na skórze. W przypadku wystąpienia któregośkolwiek z powyższych objawów, należy zgłosić się do lekarza.
- Aby zmniejszyć zagrożenie „chorobą białych palców”, należy utrzymywać ciepłotę dłoni podczas pracy i prawidłowo konserwować urządzenie i akcesoria.

⚠ BACZNOŚĆ:

- Urządzenie podczas pracy wytwarza pole elektromagnetyczne. Zaleca się, aby osoby z implantami medycznymi skonsultowały się ze swoim lekarzem i producentem implantu przed

użytkowaniem urządzenia. W przeciwnym wypadku pole magnetyczne może wpłynąć na działanie implantów, co grozi poważnym wypadkiem.

MONTAŻ

⚠ OSTROŻNIE:

- Przed rozpoczęciem prac na urządzeniu należy je wyłączyć i odłączyć zasilanie.

Montaż uchwyty (Rys. 2, 3)

- 1) Przymocować dolną część uchwyty (4) do urządzenia przy pomocy pokręteł (11).
- 2) Umieścić górną część uchwyty (3) na dolnej części uchwyty, a następnie przymocować je przy użyciu dwóch podkładek, nakrętki i dźwigni (7).
- 3) Zamocować przewód przy pomocy zacisków (8) na uchwycie.

Montaż kosza na trawę

⚠ OSTROŻNIE:

- Nie używać urządzenia bez kosza na trawę. W przeciwnym wypadku wyrzucony przedmiot może spowodować obrażenia.
- W przypadku urządzeń z wyrzutnikiem z tyłu i z odsłoniętymi tylnymi wałkami, jeśli są one użytkowane bez kosza, należy nosić pełną ochronę oczu.

UWAGA:

- Wydajność urządzenia zmniejsza się, gdy kosz na trawę jest pełny. Należy regularnie opróżniać kosz na trawę, zanim całkowicie się zapelni.

Zakładanie kosza na trawę

Podciągnąć osłonę wyrzutnika (10) i przytrzymać ją. Umieścić zaczepy kosza na trawę w rowkach na urządzeniu.

Zdejmowanie kosza na trawę

Podciągnąć osłonę wyrzutnika (10) i przytrzymać ją. Zdjąć kosz na trawę, zwalniając zaczepy z rowków na urządzeniu.

Zaczepek zmniejszający naprężenie przewodu (Rys. 4)

Zaczepek zmniejszający naprężenie przewodu (5) pomaga zapobiegać zaplątaniu się przewodu w element tnący lub kolia.

Należy zrobić małą pętlę na końcu przewodu zasilającego i przełożyć ją przez otwór w zaczepie, a następnie zawiesić ją na haku.

Podczas pracy należy zawsze mieć na uwadze położenie przewodu. Rozpocząć pracę od punktu położonego najbliższej źródła zasilania, aby zapobiec przypadkowemu przecięciu przewodu. Zaleca się podczas pracy trzymać przewód na ramieniu.

Montaż lub demontaż elementu tnącego

⚠ OSTROŻNIE:

- Nosić rękawice ochronne.
- Przy obsłudze elementu tnącego należy zachować szczególną uwagę. Jest on bardzo ostry i może stać się gorący podczas pracy.
- Należy zawsze stosować element tnący dostosowany do rodzaju pracy.
- Przed rozpoczęciem pracy należy się upewnić, że dwie śruby mocujące element tnący do urządzenia są mocno dokręcone. Nie użytkować urządzenia, jeśli śruba jest obłuzowana lub jej brak. Jeśli śruba jest uszkodzona, należy ją natychmiast wymienić.

Demontaż elementu tnącego

- 1) Zdjąć kosz na trawę (9).
- 2) Zdjąć uchwyt z urządzenia.
- 3) Położyć urządzenie do góry nogami na płaskiej powierzchni.
- 4) Poluzować dwie śruby (14). Odkręcić je i zdjąć podkładki sprężyste.
- 5) Umieścić łożysko elementu tnącego (15), a następnie ściągnąć element tnący (13) z wału napędowego (16).

Montaż elementu tnącego

- 1) Włożyć element tnący, wsuwając jego część sześciokątną w gniazdo wału napędowego.
- 2) Przymocować łożysko do urządzenia przy pomocy śrub i podkładek sprężystych.

⚠ BACZNOŚĆ:

- Przed podłączeniem urządzenia do zasilania upewnić się, że urządzenie jest wyłączone. Podłączenie urządzenia do zasilania, gdy jest ono włączone, może spowodować jego nieoczekiwane uruchomienie, co grozi poważnymi obrażeniami ciała.
- Nie wolno użytkować urządzenia, jeśli jego przewód zasilający jest uszkodzony. W przeciwnym wypadku istnieje zagrożenie porażenia prądem elektrycznym.
- Nie wolno używać urządzenia z uszkodzonym włącznikiem zasilania. Wymianę wadliwie działającego włącznika powinien przeprowadzić autoryzowany punkt serwisowy firmy Makita.

Dźwignia start/stop

Aby uruchomić urządzenie, należy nacisnąć i przytrzymać przycisk blokady (2), a następnie do końca pociągnąć dźwignię start/stop (1) i przytrzymać ją. Po pociągnięciu dźwigni start/stop nie ma potrzeby przytrzymywania przycisku blokady.

Aby zatrzymać urządzenie, wystarczy zwolnić dźwignię start/stop.

Regulacja kąta uchwytu

Możesz zmienić kąt górnej części uchwytu.

- 1) Odblokować zaciski uchwytu (6).
- 2) Ustawić kąt górnej części uchwytu (3).
- 3) Ponownie zablokować zaciski uchwytu.

Regulacja wysokości

W zależności od stanu trawy można ustawić wysokość elementu tnącego.

Przybliżone wskazówki ustawień wysokości podane są w tabeli poniżej.

| Wysokość | Użytkowanie | |
|----------|---|--|
| | Wertykulacja | Grabienie (wyposażenie dodatkowe) |
| +5 mm | Do transportu i przechowywania. Wertykulacja wrażliwego trawnika. Rozplatanie cienkich warstw. Druga wertykulacja jesienią. | Do transportu i przechowywania. Grabienie normalnego trawnika. |
| 0 mm | Wertykulacja normalnego trawnika. Rozplatanie normalnych warstw. | Grabienie grubego i sztywnego trawnika. |
| -5 mm | Wertykulacja normalnego trawnika. Rozplatanie grubych warstw. | NIE stosować do grabienia. |
| -10 mm | Wertykulacja grubego i sztywnego trawnika. Rozplatanie grubych warstw. | NIE stosować do grabienia. |

Zmiana wysokości

Pchnąć dźwignię regulacji wysokości (12) na zewnątrz i przesunąć w odpowiednie położenie.

Zabezpieczenie przeciążeniowe

Urządzenie jest wyposażone w zabezpieczenie przeciążeniowe, które uruchamia się w następujących sytuacjach:

- Element tnący blokuje się, ponieważ nagromadził się wokół niego materiał z wertykulacji.
- Obszar wertykulacji przekracza wydajność silnika.
- Coś blokuje obrót elementu tnącego.

Jeśli zabezpieczenie zadziała, urządzenie automatycznie wyłączy się.

Jeśli tak się stanie, należy odłączyć urządzenie od zasilania, poczekać, aż ostygnie, a następnie usunąć przyczynę przeciążenia przed ponownym uruchomieniem urządzenia.

OBSŁUGA

Wskazówki dotyczące użytkowania:

- Przed wertykulacją należy ściąć trawę, a po niej nawieźć ją.
- Ustawić wysokość elementu tnącego w zależności od wysokości trawy i pogody.
- Należy unikać pracy na mokrej trawie. Ma ona tendencję do przyklejania się do otworu wylotowego i innych części urządzenia. Może ona też być przyczyną poślizgnięcia i upadku.
- Nie poruszać się zbyt szybko. Pchać urządzenie powoli. W przeciwnym wypadku otwór wylotowy może się zablokować, co z kolei może być przyczyną przeciążenia silnika.
- Pracować wzdłuż linii tak prostej, jak to możliwe.
- Pasy wertykulowanej ziemi powinny nieco na siebie nachodzić. Dzięki temu powierzchnia będzie równa i płaska.
- Jeśli w obszarze roboczym znajduje się kłomb, należy zatoczyć wokół niego jedno lub dwa koła.

- Należy zachować szczególną ostrożność przy skręcaniu.
- Nie pozostawiać w jednym miejscu. Powoduje to zniszczenie trawy.

Wskazówki dotyczące wertykulacji:

- Należy zawsze uwzględniać pogodę. Ciepłe, słoneczne i wilgotne dni są odpowiednio do wertykulacji, ponieważ trawnik może się szybko zregenerować. Należy jednak unikać dni zimnych, upalnych lub suchych.
- Trawniki należy wertykulować wiosną.
- Jeśli lato jest deszczowe, powtórzyć procedurę jesienią.
- Należy unikać wertykulacji podczas intensywnych upałów.
- Jeśli lato jest bardzo suche, nie należy przeprowadzać wertykulacji jesienią.

Wskazówki dotyczące zgrabiania:

- Trawy potrzebują dużo powietrza wokół korzeni, aby wiosną utrzymać tempo wzrostu.
- Zaleca się dopowietrzanie trawnika co 4-6 tygodni, w zależności od jego stanu.

KONSERWACJA

⚠ OSTROŻNIE:

- Przed rozpoczęciem oględzin lub prac konserwacyjnych należy wyłączyć urządzenie i odłączyć je od zasilania.
- Przed rozpoczęciem oględzin lub prac konserwacyjnych należy założyć rękawice ochronne.
- Element tnący nie zatrzymuje się natychmiast po wyłączeniu urządzenia. Przed rozpoczęciem prac należy poczekać, aż wszystkie części zatrzymają się.
- Po zakończeniu prac konserwacyjnych upewnić się, że wszystkie narzędzia zostały zabrane.
- Do czyszczenia nie wolno stosować benzyny, ropy naftowej, rozpuszczalników, alkoholu itp. środków. Substancje te mogą spowodować odbarwienia, odkształcenia lub pęknięcia. Do czyszczenia urządzenia

stosować tylko wilgotną szmatkę i miękką szczotkę.

- Nie używać węża z wodą i nie czyścić urządzenia strumieniem wody pod ciśnieniem.

Podczas transportu urządzenia należy zwrócić uwagę na następujące kwestie:

- Wyłączyć silnik, odłączyć zasilanie i poczekać, aż element tnący zatrzyma się.
- Ustawić wysokość elementu tnącego odpowiednio do wysokości transportu.
- Należy zawsze przenosić urządzenie za uchwyt.
- Trzeba unikać dużych wstrząsów lub intensywnych drgań.
- Jeśli urządzenie jest umieszczone na innym pojeździe, należy je dobrze przymocować.

Po każdym użyciu urządzenia wykonać następujące czynności:

- Wyłączyć silnik, odłączyć zasilanie i poczekać, aż element tnący zatrzyma się.
- Oczyszczyć kosz na trawę. Przechowywać w suchym pomieszczeniu.
- Sprawdzić, oczyścić i przechowywać urządzenie w suchym pomieszczeniu.

Należy regularnie przeprowadzać następujące czynności:

- Sprawdzić dokręcenie wszystkich elementów dociskowych, takich jak wkłady, śruby, nakrętki, itp.
- Sprawdzić ewentualne usterki, takie jak poluzowane, zużyte lub uszkodzone części. Wymienić je w razie potrzeby.
- Sprawdzić, czy osłony i zabezpieczenia nie są uszkodzone lub odkształcone.
- Jeśli podczas pracy urządzenie wpada w nietypowe drgania, przyczyną może być element tnący, źle wyważony lub odkształcony na skutek uderzenia w przeszkodę. Jeśli tak się stanie, zlecić naprawę lub wymianę elementu tnącego do autoryzowanego punktu serwisowego.
- Element tnący zużywa się z czasem. Należy regularnie sprawdzać stan elementu tnącego i jego wyważenie. Jeśli jest on zużyty lub tępy, wymienić go.
- Przed przekazaniem do przechowywania oczyścić i przesmarować wszystkie gwinty.

ROZWIĄZYWANIE PROBLEMÓW

BACZNOŚĆ: Przed usunięciem usterki należy wyłączyć urządzenie, wyciągnąć wtyczkę z gniazda zasilania i poczekać, aż urządzenie zatrzyma się całkowicie.

| Problem | Możliwa przyczyna | Rozwiązanie |
|---|---|--|
| Urządzenie nie uruchamia się. | Nie podłączono zasilania. | Podłączyć zasilanie. |
| | Usterka przewodu zasilającego. | Natychmiast odłączyć od zasilania. Należy zlecić naprawę w lokalnym autoryzowanym punkcie serwisowym Makita. |
| | Usterka obwodu elektrycznego. | Należy zlecić naprawę w lokalnym autoryzowanym punkcie serwisowym Makita. |
| | Przycisk blokady nie jest wciśnięty. | Nacisnąć przycisk blokady i pociągnąć dźwignię start/stop. |
| Urządzenie wydaje trzaski. | Jakaś przeszkoda zablokowała element tnący. | Wyłączyć silnik, odłączyć zasilanie i poczekać, aż element tnący zatrzyma się. Następnie usunąć przeszkodę. |
| Urządzenie wydaje dziwne dźwięki. | Usterka pasa napędowego | Należy zlecić naprawę w lokalnym autoryzowanym punkcie serwisowym Makita. |
| Urządzenie nie osiąga maksymalnej mocy. | Źródło zasilania zapewnia napięcie niższe niż wymagane. | Należy sprawdzić inne źródło zasilania. Sprawdzić, czy zastosowano właściwe źródło zasilania. |
| | Otwory wentylacyjne są zablokowane. | Oczyszczyć otwory wentylacyjne. |
| Nieodpowiednia jakość pracy. | Trawa jest zbyt wysoka. | Skosić trawę przed wertykulacją. |
| | Element tnący jest zużyty lub uszkodzony. | Wymienić go. |
| | Powierzchnia do wertykulacji przekracza wydajność urządzenia. | Pracować na powierzchni, która odpowiada wydajności urządzenia. |
| | Głębokość wertykulacji jest niewłaściwa. | Ustawić głębokość elementu tnącego. |

WYPOSAŻENIE DODATKOWE

⚠ OSTROŻNIE:

- Do opisywanego urządzenia Makita zaleca się stosować podane poniżej akcesoria i narzędzia. Stosowanie innych akcesoriów lub narzędzi grozi wypadkiem. Akcesoria lub narzędzia należy wykorzystywać tylko zgodnie z przeznaczeniem.
- Więcej szczegółów na temat opisywanego wyposażenia dodatkowego można uzyskać w lokalnym punkcie serwisowym narzędzi Makita.

Istnieje kilka rodzajów elementu tnącego:

- Ostrze wertykulujące – ostra krawędź ostrza przecina glebę i korzenie.
- Ostrze grabiące (wyposażenie dodatkowe) – usuwa liście i resztki przy pomocy drobnych igieł.
- Ostrze 2 w 1 (wyposażenie dodatkowe) – grabienie i wertykulacja jednocześnie.

PAMIĘTAJ:

- Niektóre z pozycji mogą być dołączone do opakowania narzędzia jako wyposażenie standardowe. Wyposażenie dodatkowe może się różnić w zależności od kraju.

Dotyczy tylko krajów europejskich

Deklaracja zgodności WE

Firma Makita oświadcza, że poniższe urządzenie (urządzenia):

Oznaczenie urządzenia:

Wertykulator Elektryczny

Nr modelu/typ: UV3600

spełniają następujące dyrektywy europejskie:

2000/14/WE z poprawkami zawartymi w 2005/88/WE, 2006/42/WE, 2004/108/WE, 2011/65/UE

Są produkowane zgodnie z następującymi normami lub dokumentami normalizacyjnymi:

EN60335, EN13684

Dokumentacja techniczna zgodna z normą 2006/42/WE dostępna jest w siedzibie:

Makita, Jan-Baptist Vinkstraat 2, 3070, Belgia

Procedura oceny zgodności wymagana przez Dyrektywę 2000/14/WE została przeprowadzona zgodnie z Załącznikiem V.

Mierzony poziom mocy akustycznej: 99,53 dB (A)

Gwarantowany poziom mocy akustycznej: 104 dB (A)

21.11.2014



Yasushi Fukaya

Dyrektor

Makita, Jan-Baptist Vinkstraat 2, 3070, Belgia

VIGYÁZAT! Ezt a készüléket 8 éves vagy annál idősebb gyermekek és csökkent fizikai, érzékelési vagy mentális képességű, tapasztalatlan vagy ismeretekkel nem rendelkező személyek csak felügyelet mellett vagy azzal a feltétellel használhatják, hogy megértették a biztonságos alkalmazásra vonatkozó utasításokat és a kapcsolódó kockázatokat. Ne engedje, hogy gyermekek játsszanak a készülékkel. A készülék tisztítását és felhasználói karbantartását nem végezhetik gyermekek felügyelet nélkül.

AZ ALKATRÉSZEK ELNEVEZÉSE (1. ábra)

- | | | |
|-------------------------|------------------------|----------------------------|
| 1. Indító/leállító kar | 7. Kar | 13. Vágószerszám |
| 2. Kioldógomb | 8. Csíptető (2 db) | 14. Csavar és rugós alátét |
| 3. Felső fogantyúrúd | 9. Fűgyűjtő | 15. Csapágy |
| 4. Alsó fogantyúrúd | 10. Terelőelem | 16. Hajtótengely |
| 5. Kábel-húzásmentesítő | 11. Gomb | |
| 6. Fogantyúbilincs | 12. Magasságállító kar | |

MŰSZAKI ADATOK

| | |
|--|--|
| Típus neve | UV3600 |
| Feszültség | 230–240 V |
| Frekvencia | 50 Hz |
| Névleges bemenő áram | 1 800 W |
| Nettó tömeg | 15,3 kg |
| Üresjárat fordulatszám | 3 500 perc ⁻¹ |
| Maximális vágási szélesség | 360 mm |
| Üzemi magasság beállítási tartománya | 4 lépés (-10/-5/0/5 mm) |
| Fűgyűjtő űrtartalma | 40 l |
| Védettségi besorolás | IPX4 |
| Hangnyomásszint | 81,24 dB (A), K= 2,50 dB (A) |
| A kezelő fülébe érkező hangnyomásszint | 85,5 dB (A), K= 2,50 dB (A) |
| Mért zajszint | 99,53 dB (A), K= 4,50 dB (A) |
| Garantált zajszint | 104 dB (A) |
| Vibráció | 4,673 m/s ² , K= 1,5 m/s ² |

SZIMBÓLUMOK

A következőkben a gépen használt szimbólumokat mutatjuk be. Használat előtt ismerkedjen meg ezek jelentésével.



• Olvassa el a kezelői kézikönyvet.



• Különös gondossággal és odafigyeléssel járjon el.



• Kettős szigetelés.



- Viseljen védőkesztyűt.



- A cipő legyen strapabíró, és a talpa ne csússzon.



- Viseljen megfelelő szem- és fülvédőt.



- Várja meg, amíg a gép összes alkatrésze leáll.



- Ügyeljen az éles vágószerszámokra.



- Tisztítás vagy karbantartás előtt, illetve ha a hálózati kábel megsérül, kapcsolja ki a motort és húzza ki a csatlakozódugót.



- A gép nagy sebességgel repülő tárgyakat vethet ki magából.



- Tartson elegendő biztonsági távolságot a munkaterület környezetében tartózkodó személyektől és állatoktól.



- Ne tegye ki esőnek vagy nedvességnek.



- Ha a hálózati kábelt megsérti vagy elvágja, azonnal húzza ki a csatlakozódugót a hálózati aljzatból.



- Fennáll az áramütés veszélye.



- Tartsa távol a kábelt a vágószerszámoktól és a kerekektől.



- Csak az EU országaira vonatkozik:

Azelektromos eszközöket nem szabad a háztartási hulladékokkal együtt kidobni!

Az elektromos és elektronikus berendezések hulladékaira vonatkozó európai irányelv, valamint annak a nemzeti törvényekkel összhangban lévő alkalmazása figyelembevételével az olyan elektromos eszközöket, amelyek elérték élettartamuk végét, külön kell gyűjteni, és környezetvédelmi szempontból megfelelő újrahasznosító létesítménybe kell visszaküldeni.

BIZTONSÁGI FIGYELMEZTETÉSEK

HASZNÁLAT ELŐTT MINDENKÉPPEN OLVASSA EL A KEZELŐI KÉZIKÖNYVET TARTSA MEG, KÉSŐBB MÉG SZÜKSÉGE LEHET RÁ



A gép használata előtt mindenképpen olvassa el a használati útmutatót. Tartsa be az összes utasítást, és a gép üzembe helyezését a leírtak szerint végezze el.

A gép rendeltetésszerű használata

- A gép a kertek gypeének szellőztetésére és gereblyezésére szolgál.
- A kerti gyepszellőztető kizárólag otthoni használatra szolgál, ipari célú felhasználásra nem alkalmas. A gép nyilvános helyen nem használható.

A 220 V és 250 V közötti feszültséggel rendelkező nyilvános kiefeszültségű áramelosztó rendszerekben való használatra.

Az elektromos berendezések bekapcsolásakor feszültségingadozások léphetnek fel. Ezen készülék üzemeltetése kedvezőtlen áramellátási körülmények között ellentétes hatással lehet más berendezések működésére. A 0,412 Ohmmal egyenlő vagy annál kisebb értékű hálózati impedancia esetén feltételezhetően nem lesznek negatív jelenségek. Az ehhez az eszközhöz használt hálózati csatlakozót biztosítékkal vagy lassú kioldási jellemzőkkel rendelkező megszakítóval kell védeni.

Általános utasítások

- A kezelő kézikönyvet elolvassa ismerkedjen meg a gép működtetésével. Ha a gép kezelője nem ismeri az útmutatásokat, az megnöveli a tűz és az áramütés kockázatát, továbbá veszélyt jelent a kezelő és mások testi épségére is.

- A gépet csak olyan személynek adja kölcsön, akinek szaktudásában megbízik.
- Ha a gépet kölcsönadja, mindig adja oda vele együtt a kezelői kézikönyvet is.
- A gépet nem kezelhetik fizikailag vagy szellemileg sérült, érzékszervi problémákkal rendelkező, tapasztalatlan, illetve a gép működését nem ismerő személyek. Ha kisgyermek van a gép közelében, ügyelni kell rá, hogy ne játsszanak vele.
- A gépet csak akkor használja, ha fizikailag alkalmasnak érzi rá magát. Minden műveletet nyugodtan és körültekintően végezzen. A gép közelében lévő személyek és tárgyak épségéért a kezelő felel.
- A gépet alkoholos befolyásoltság, fáradtság vagy rosszullet esetén tilos használni.
- Ha fáradt, tartson pihenőt, nehogy elveszítse az uralmát a gép felett. Javasoljuk, hogy tartson óránként 10–20 perc szünetet munka közben.
- A gépet a használati utasításoknak megfelelően, az alkalmazási területet és a helyi viszonyokat figyelembe véve üzemeltesse. A gép véletlen elindulása veszélyhelyzetet okozhat.
- A gép üzemeltetését helyi vagy országos szabályok korlátozhatják.

- Legyen körültekintő. Figyeljen oda arra, amit csinál. Használja a józan esztét. Fáradtan ne üzemeltesse a gépet.

Személyi védőfelszerelés

- Öltözzön fel a munkához megfelelően. Ruházata legyen praktikus és kényelmes; legyen szoros, de a mozgást ne akadályozza. Ne viseljen ékszereket vagy olyan ruhadarabot, amely beleakadhat a gépbe. Ha hosszú a haja, kösse össze.
- A halláskárosodás megelőzése érdekében mindig használjon fülvédőt.
- Viseljen védőszemüveget, hogy a szétrepülő tárgyak és anyagdarabok ne okozhassanak szemsérülést.
- Ujjait mindig védje megfelelő védőkesztyűvel.
- Egészsége megőrzése érdekében viseljen porvédő maszkot.
- A gép üzemeltetésekor viseljen strapabíró cipőt, amelynek nem csúszik a talpa. Az ilyen lábbeli véd a sérülések ellen, és stabil álló helyzetet biztosít.
- A gép kezelése közben mindig zárt cipőt és hosszúnadrágot viseljen. Soha ne működtesse a gépet mezítláb vagy nyitott szandálban.

A munkaterület biztonsága

- Gondoskodjon arról, hogy amíg a gépet üzemelteti, gyermekek, nézelődők és állatok ne tartózkodjanak a közelben.

- Ügyeljen arra, hogy a munkaterületen ne legyenek kövek, huzalok, üvegcserepek vagy más, nem odavaló tárgyak. Az ilyen tárgyakat a gép felkaphatja és elrepítheti, ami személyi sérülést és anyagi kárt okozhat.
- A gépet csak jó látási viszonyok esetén, nappal működtesse. Sötétben vagy ködben ne használja a gépet.
- A gépet robbanékony környezetben, például gyúlékony folyadékok, gázok, illetve porok közelében nem szabad működtetni. A gép ugyanis a port vagy a gázokat begyűjtő szikrát hozhat létre.
- Ne érje víz vagy nedvesség a gépet. A gépbe jutó víz megnöveli az áramütés kockázatát.

A gép indítása

- A kábel csatlakoztatása és a gép bekapcsolása előtt:
 - Ellenőrizze, hogy a sérülésmentes-e a csatlakozódugó és a kábel.
 - Ellenőrizze, hogy valamennyi csavar, anya és egyéb kötőelem meg van-e húzva.
 - Győződjön meg arról, hogy a vágószerszámok a helyükön vannak, és állapotuk megfelelő.
 - Ellenőrizze a védőelemek és a biztonsági berendezések, például a terelőelemek és a fűgyűjtő hibátlan működését.

- Győződjön meg arról, hogy a szellőzőnyílásokat nem tömítette-e el por vagy más idegen anyag. Ha eltömődtek, tisztítsa meg őket puha kefével vagy ronggyal.
- Az olvashatatlan vagy sérült címkéket cserélje ki.
- Ellenőrizze a gép összes alkatrészét, és bizonyosodjon meg arról, hogy az rendeltetésszerűen és helyesen működnek. Különösen abban az esetben tilos üzemeltetni a gépet, ha a kapcsoló hibásodott meg.
- Győződjön meg arról, hogy a kapcsoló kikapcsolt állásban van, hogy megelőzze a gép véletlen beindulását.
- Győződjön meg arról, hogy a karbantartáshoz használt szerszámokat, például a villáskulcsot vagy csavarhúzózt eltávolította a gép közeléből.
- Ha a hálózati csatlakozókábel sérült, csak eredeti pótalkatrészt szabad használni, amelyhez a Makita hivatalos szervizközpontjában lehet hozzájutni.
- Soha ne használja a gépet, ha a biztonsági elemek, például a terelőelem vagy a fűgyújtó sérült vagy hiányzik.
- Amikor bekapcsolja a motort:
 - Lábfejét tartsa távol a vágószerszámoktól.
 - Ne döntse meg a gépet.

- Ne álljon a kidobónyílás elé.
- Ügyeljen arra, hogy keze, más testrészei vagy ruházata soha ne érjen a mozgó alkatrészekhez.

Az elektromossággal kapcsolatos tudnivalók

- Használat előtt ellenőrizze, hogy a gép csatlakozódugója beleillik-e a hálózati aljzatba.
- Soha ne alakítsa át a csatlakozódugót.
- Ügyeljen a kábel épségére. A gépet ne húzza a kábelnél fogva, a csatlakozódugót pedig ne a kábelnél fogva húzza ki az aljzataból. A kábelt tartsa távol hőforrásoktól, olajtól, éles peremektől és mozgó alkatrészekről. A sérült vagy összegabalyodott kábel használata megnöveli az áramütés kockázatát.
- Rendszeresen ellenőrizze a hosszabbító kábel szigetelésének épségét. Ha sérült, cserélje ki.
- Ha a tápkábel megsérül, azonnal húzza ki a hálózati csatlakozódugót az aljzataból. Az áram alatt lévő részekhez érő sérült kábel áramütést okozhat.
- Sérült kábel használata tilos.
- A kábelt és a hosszabbító kábelt tartsa távol a vágószerszámoktól és a kerekektől. A vágószerszámok kárt tehetnek a kábelben, ami áramütést okozhat.

- A gép szabadban való használatakor mindig használjon maradékárammal működő, legfeljebb 30 mA-es megszakítót (RCD).
- Kizárólag kültéri használatra alkalmas, a ráfröccsenő víznek ellenálló hosszabbító kábelt használjon. A hosszabbító kábel keresztmetszete 25 m-es hosszúság alatt legalább 1,5 mm², 25 m feletti hosszúság felett pedig 2,5 mm² legyen.
- A gép kizárólag az adattáblán feltüntetett feszültségű, egyfázisú váltakozó áramú hálózathoz csatlakoztatható. A gép az európai szabványoknak megfelelő kettős szigeteléssel rendelkezik, így földelővezeték nélküli aljzatokból is táplálható.
- Testével ne érjen földelt felületekhez (pl. csövekhez, radiátorokhoz, hűtőkhöz).

Működtetés

- Kerülje a gép nedves fűvön történő használatát. Ha mégis nedves fűvön dolgozik, legyen különösen óvatos, nehogy elcsússzon.
- A gép működtetése közben két kézzel, stabilan kell fogni a fogantyút. Abalesetek elkerülése érdekében tartsa a fogantyút szárazon és tisztán.
- Ne fusson a géppel. Használat közben csak sétáljon.
- Ha lejtőn dolgozik, fordítson különös figyelmet egyensúly megőrzésére.
- Ne tolja a gépet egyenesen fel vagy le a lejtőn. Mindig vízszintes vonalban dolgozzon.
- Ha a gépet lejtőn kapcsolja be, legyen rendkívül körültekintő.
- Soha ne dolgozzon meredek lejtőn.
- Legyen rendkívül körültekintő, amikor hátrafelé vagy maga felé húzza a gépet.
- A gép üzemeltetése közben kerülje az egyensúly elvesztésével járó testhelyzeteket. Mindig álljon stabilan, egyensúlyát őrizze meg. Így váratlan helyzetben is meg tudja őrizni az uralmát a gép felett.
- Mindig ügyeljen a következőkre:
 - Lábfejét tartsa távol a vágószerszámoktól.
 - Ne döntse meg a gépet.
 - Ne álljon a kidobónyílás elé.
 - Ügyeljen arra, hogy keze, más testrészei vagy ruházata soha ne érjen a mozgó alkatrészekhez.
- A gépet nem szabad erőltetni. A biztonságos és hatékony üzemeltetés a tervezett sebességgel érhető el. A gép gyakori túlterhelése motorkárosodást vagy tüzet okozhat.
- Kapcsolja ki a motort, és húzza ki a csatlakozódugót:
 - Ha a gépet felügyelet nélkül hagyja
 - Elakadás vagy meghibásodás elhárítása előtt

- A gép ellenőrzése, tisztítása, illetve javítása előtt
- Beállítás, tartozékok cseréje vagy a gép tárolásra való felkészítése előtt
- Ha a gép akadálnak ütközik. Ilyen esetben várja meg, amíg a gép lehül. Vizsgálja át a gépet, és cserélje ki a szükséges alkatrészeket, mielőtt folytatja a munkát
- Ha a gép rázkódni kezd vagy rendellenes zajt ad ki
- Ha felhelyezi vagy leveszi a fűgyűjtőt
- Ha valaki belép a munkaterületre
- Ha nem fűvel borított felületen halad át
- A gép szállítása esetén.
- Állítsa le a vágószerszámot:
 - Ha meg kell döntenie a gépet
 - Ha nem fűvel borított felületen halad át
 - Amikor a gépet a munkaterülethez szállítja vagy onnan elszállítja.
- Ügyeljen a vágószerszámokra, mert forgásuk nem áll le azonnal a kikapcsolás után.

Karbantartási tudnivalók

- A gépet a gyártó hivatalos szervizközpontjában, kizárólag eredeti cserealkatrészek felhasználásával javíttassa. A hibás javítás, illetve az elégtelen karbantartás lerövidítheti a gép élettartamát, és növeli a balesetek bekövetkezésének kockázatát.
- Rendszeresen ellenőrizze a gépet.
- A gép szervizelése, vizsgálata, beállítása, tárolása, illetve tartozékainak cseréje előtt végezze el a következőket:
 - Kapcsolja ki a gép tápellátását
 - Válassza le a gépet a hálózatról
 - Ellenőrizze, hogy leállt-e az összes mozgó alkatrész
 - Hagyja lehűlni a gépet.
- Vizsgálja meg a következő ellenőrzésekkel, hogy épek-e a gép alkatrészei:
 - A biztonsági elemek r e n d e l t e t é s s z e r ű e n működnek
 - Valamennyi mozgó alkatrész akadálymentesen és hibamentesen mozog
 - Valamennyi alkatrész ép, és helyesen van felszerelve
 - Ellenőrizze a v á g ó s z e r s z á m o t sérülés, kopás és kiegyensúlyozatlanság szempontjából
 - Ellenőrizze rendszeresen a fűgyűjtőt sérülés és kopás szempontjából
 - Ellenőrizze, hogy megfelelően meg vannak-e húzva az anyák és csavarok
 - A sérült vagy kopott alkatrészeket a hivatalos s z e r v i z k ö z p o n t t a l cseréltesse ki vagy javíttassa meg.

- A karbantartást, illetve a javítást kizárólag a jelen kezelői kézikönyvben ismertetett módon végezze. Minden más műveletet a Makita hivatalos szervizközpontjában kell elvégeztetni.
- Csak a géphez való eredeti Makita alkatrészeket és tartozékokat használja. Ellenkező esetben személyi sérülés vagy gépkárosodás történhet.
- A gépet száraz helyiségben tárolja. Ügyeljen rá, hogy gyerekek ne férhessenek hozzá a géphez. A gépet a szabadban tárolni tilos.

Vibráció

- A túlzott vibráció keringési betegségben szenvedő személyeknél ér- vagy idegrendszeri sérülést eredményezhet. A vibráció a következő tüneteket idézheti elő az ujjakon, a kézen vagy a csuklón: „elgémberedés” (zsibbadás), bizsergés, fájdalom, tűszúrászerű érzés, a bőrszín megváltozása. Ha ezen tünetek bármelyikét észleli magán, forduljon orvoshoz.
- Az „elgémberedés” megelőzése érdekében munka közben tartsa melegen a kezeit, és tartsa karban a berendezést és a tartozékait.

⚠ VIGYÁZAT!

- A gép üzem közben elektromágneses teret hoz létre maga körül. Az orvosi implantátummal élő személyeknek ajánlatos kikérniük orvosuk vagy az implantátumgyártó véleményét, mielőtt használnák a gépet. Ellenkező esetben az elektromágneses tér kedvezőtlenül befolyásolhatja az implantátum működését, és ezzel súlyos sérülést okozhat.

⚠ FIGYELEM:

- Mielőtt bármilyen munkát végezne a gépen, ellenőrizze, hogy a gép ki van-e kapcsolva, és a tápkábel ki van-e húzva.

A fogantyúrúd összeszerelése (2., 3. ábra)

- 1) A gombokkal (11) rögzítse az alsó fogantyúrúdat (4) a géphez.
- 2) Helyezze a felső fogantyúrúdat (3) az alsó fogantyúrúdra, majd a két távtartóval, anyával és a karral (7) rögzítse őket.
- 3) A csipetőkkel (8) rögzítse a kábelt a fogantyúrúdon.

A fűgújtó összeszerelése

⚠ FIGYELEM:

- Fűgújtó nélkül ne üzemeltesse a gépet. Ellenkező esetben a kirepülő tárgyak sérülést okozhatnak.
- Azoknál a hátsó kidobónyílásos berendezéseknél, amelyeknél a fűgújtó levétele után szabaddá válnak a hátsó görgők, teljes szemvédő maszkot kell viselni.

MEGJEGYZÉS:

- Ha a fűgújtó megtelt, csökken a gép teljesítménye. Ürítse ki rendszeresen a fűgújtót, mielőtt az teljesen megtelne.

A fűgújtó felhelyezése

Húzza fel és tartsa felhúzva a terelőelemet (10). Akassza a fűgújtó akasztóit a gépen található hornyokba.

A fűgújtó levétele

Húzza fel és tartsa felhúzva a terelőelemet (10). Az akasztókat a gépen található hornyokból kiakasztva vegye le a fűgújtót.

Kábel-húzásmentesítő (4. ábra)

A kábel-húzásmentesítő (5) segít megakadályozni, hogy a kábel a kése vagy a kerekre tekeredjen.

Alakítson ki egy kisebb hurkot a hálózati kábel végén, azután vezesse át a hurkot a kábel-húzásmentesítő nyílásán, majd akassza az akasztóra.

A gép használata közben folyamatosan figyelje, hogy merre vezet a kábel. A munkavégzést mindig a hálózati tápellátáshoz legközelebb eső ponton kezdje, hogy megakadályozza a kábel véletlen elvágását. Javasoljuk, hogy munkavégzés közben tartsa a vállán a kábelt.

⚠ FIGYELEM:

- Viseljen védőkesztyűt.
- A vágószerszámon végzett munkálatok közben legyen különösen óvatos. A szerszám rendkívül éles, és üzem közben felmelegedhet.
- Mindig az adott munkához megfelelő vágószerszámot használja.
- Használat előtt győződjön meg arról, hogy a vágószerszámot a géphez rögzítő két csavar szorosan meg van húzva. Ha a csavar meglazult vagy elveszett, ne használja a gépet. Ha sérült, haladéktalanul cserélje ki.

A vágószerszám leszerelése

- 1) Vegye le a fűgújtót (9).
- 2) Távolítsa el a gépről a fogantyút.
- 3) Egy sík felületen fordítsa felfelé a gépet.
- 4) Lazítsa ki a két csavart (14). Távolítsa el a csavarokat és a rugós alátéteket.
- 5) Emelje fel a vágószerszám csapágyrészét (15), és húzza le a vágószerszámot (13) a hajtótengelyről (16).

A vágószerszám felszerelése

- 1) Helyezze fel a vágószerszámot úgy, hogy a hatlapú anyás részét a hajtótengely foglalatába csúsztatja.
- 2) Rögzítse a géphez a csapágyas részt a csavarokkal és a rugós alátétekkel.

A MŰKÖDÉS LEÍRÁSA

⚠ VIGYÁZAT!

- Mielőtt a tápkábelt a hálózati aljzatba dugja, mindig ellenőrizze, hogy ki van-e kapcsolva a gép. Ha a gépet bekapcsolt állapotban csatlakoztatja a hálózathoz, a váratlan elindulás súlyos személyi sérülést okozhat.

- Soha ne használja a gépet, ha sérült a hálózati kábel. Ellenkező esetben a kábel áramütést okozhat.
- Ne használja a gépet, ha nem lehet a kapcsolóval be- és kikapcsolni. A hibás kapcsolót a Makita hivatalos szervizközpontjában javíttassa meg.

Indító/leállító kar

A gép indításához nyomja be és tartsa benyomva a kioldógombot (2), majd húzza be teljesen az indító/leállító kart (1), és tartsa ebben a helyzetben. Miután behúzta az indító/leállító kart, elengedheti a kioldógombot.

A gép leállításához egyszerűen csak engedje el az indító/leállító kart.

Fogantyú szögének beállítása

Megváltoztathatja a felső fogantyúrúd szögét.

- 1) Oldja ki a fogantyúbilincseket (6).
- 2) Állítsa be a felső fogantyúrúd (3) szögét.
- 3) Zárja vissza a fogantyúbilincseket.

Magasságállítás

A vágószerszámot a gyepp állapotának megfelelően kell beállítani.

A következő táblázat támpontot ad a magasság beállításához.

| Magasság | Használat | |
|----------|--|---|
| | Gyepszellőztetés | Gereblyezés (opcionális tartozék) |
| +5 mm | Szállításhoz és tároláshoz. Érzékeny gyepp szellőztetése. Vékony rétegek eltávolítása. Második gyepszellőztetés óvatosan. | Szállításhoz és tároláshoz. Normál gyepp gereblyézése. |
| 0 mm | Normál gyepp szellőztetése. Normál réteg eltávolítása. | Durva, vastag gyepp gereblyézése. |
| -5 mm | Normál gyepp szellőztetése. Vastag réteg eltávolítása. | Gereblyezéshez NE használja. |
| -10 mm | Durva, vastag gyepp szellőztetése. Vastag réteg eltávolítása. | Gereblyezéshez NE használja. |

A magasság megváltoztatása

Nyomja kifelé a magasságállító kart (12), és mozgassa a kívánt pozícióba.

Tülfelherelés elleni védelem

A gép tülfelherelés elleni védelemmel van ellátva, amely a következő helyzetekben lép működésbe:

- A vágószerszám elakad a köré rakódott fellazított anyagtól.
- Nagyobb mértékű gypszezföldtözetést próbál meg végezni a géppel, mint amire a motor képes.
- Valami akadályozza a vágószerszám mozgását.

Ha a védelem működésbe lép, a gép automatikusan kikapcsol.

Ilyen esetben válassza le a gépet a hálózatról, hagyja lehűlni, és újraindítás előtt szüntesse meg a tülfelherelés okát.

MŰKÖDTETÉS

Tipppek a működtetéshez:

- A gép használata előtt nyírja le, a gép használata után pedig trágyázza meg a gypet.
- Avágószerszám magasságát mindig a fű magasságának és az időjárás viszonyoknak megfelelően állítsa be.
- Kerülje a gép nedves fűvön történő használatát. Ellenkező esetben a fű a kidobónyílásra és a gép egyéb alkatrészeire tapadhat. Ezenkívül a nedves fű az elcsúszás és az elesés veszélyét is növeli.
- A gépet ne mozgassa túl gyorsan, inkább lassú tempóban tolja. Ellenkező esetben a kidobónyílás eltömődhet, a motor pedig tülfelherélődhet.
- A gépet lehetőség szerint egyenes vonalban vezesse.
- A gyp szezföldtözetését egymást kissé átfedő sávokban végezze. A művelet így egyenletes és sima felületet eredményez.
- Ha virágágyság található a munkaterületen, tegyen körülötte egy-két kört a géppel.
- Legyen különösen óvatos, amikor fordul a géppel.
- Ne maradjon egy helyben, mert azzal kárt tesz a gypben.

Tipppek a gypszezföldtözetéshez:

- Mindig vegye számításba az időjárás viszonyokat. A meleg, napos és párás idő ideális a gyp szezföldtözetéséhez, mert a gyp gyorsan és tökéletesen képes regenerálódni. Hideg, forró vagy száraz idő esetén nem ajánlott a szezföldtözetés.
- A gypszezföldtözetést tavasszal végezze.
- Ha a nyár csapadékos, kora ősszel szezföldtözetesse át a gypet.
- Nagy forróságban ne végezzen gypszezföldtözetést.
- Ha a nyár rendkívül száraz, ne végezzen gypszezföldtözetést ősszel.

Tipppek gereblyezéshez:

- Ahhoz, hogy a fű tavasszal egészségesen növekedjen, nagy mennyiségű levegőre van szükség a gyökérzet közelében.
- A gyp állapotától függően 4–6 hetente ajánlatos a gypet átszezföldtözetni.

KARBANTARTÁS

⚠ FIGYELEM:

- A gép karbantartása és átvizsgálása előtt mindig ellenőrizze, hogy a gép ki van-e kapcsolva és ki van-e húzva.

- A gép karbantartását és átvizsgálását megfelelő védőkesztyűben végezze.
- A vágó a kikapcsolást követően nem áll le azonnal. Karbantartási munkálatok előtt mindig várja meg, hogy az összes mozgó alkatrész leálljon.
- Karbantartás után az összes szerzszámot távolítsa el a gépből.
- Ne használjon benzint, gázolajat, hígítót, alkoholt vagy hasonló anyagot a tisztításhoz. Ha mégis ilyen használ, az elszíneződéshez vagy rohadáshoz vezethet. A gépet csak nedves ruhával és puha kefével tisztítsa.
- A gépet ne tisztítsa slaggal vagy nagynyomású vízzel.

A gép szállításakor ügyeljen a következőkre:

- Kapcsolja ki a motort, húzza ki a csatlakozódugót, és várjon, amíg a vágószerszám teljesen leáll.
- Állítsa a vágószerzszámot szállítási magasságba.
- A gépet mindig a fogantyújánál fogva szállítsa.
- Ügyeljen arra, hogy a gépet ne érje nagy erőhatás vagy erős rázkódás.
- Ha járművön szállítja a gépet, gondoskodjon a megfelelő rögzítésről.

Minden használat után végezze el a következőket:

- Kapcsolja ki a motort, húzza ki a csatlakozódugót, és várjon, amíg a vágószerszám teljesen leáll.
- Tisztítsa meg a fűgyűjtőt. Száraz helyiségben tárolja.
- A gép ellenőrzéséhez, tisztításához és tárolásához száraz helyiséget válasszon.

Rendszeresen végezze el a következő műveleteket:

- Ellenőrizze, hogy az összes kötőelem (csavar, anya stb) szilárdan van-e rögzítve.
- Ellenőrizze, hogy van-e a gépen laza, kopott vagy sérült alkatrész. Ha szükséges, cserélje ki őket.
- Győződjön meg arról, hogy a burkolatok és védőelemek épek és nem deformálódtak.
- Ha üzem közben rendellenes rezgést és rázkódást tapasztal, azt az idegen tárgyak miatt kiegyensúlyozatlanná vált vagy eldeformálódott vágószerzszám okozhatja. Ilyen esetben javíttassa meg a vágószerzszámot a hivatalos szervizközponttal.
- A vágószerzszám idővel elkopik. Ellenőrizze rendszeresen a vágószerzszám állapotát és stabilitását. Ha elkopik vagy kicsorbul, cserélje ki.
- Mielőtt elténné a gépet, tisztítsa meg és lássa el kenéssel az összes csavart.

HIBAEHÁRÍTÁS

VIGYÁZAT! Hibaelhárítás előtt kapcsolja ki a gépet, húzza ki a tápkábelt a hálózati aljzatból, majd várja meg, amíg a gép teljesen leáll.

| Jelenség | Lehetséges ok | Megoldás |
|---|---|---|
| A gép nem indul el. | Nincs bedugva a hálózati csatlakozókábel. | Csatlakoztassa a hálózati csatlakozókábelt. |
| | Sérült a hálózati csatlakozókábel. | Azonnal húzza ki a kábelt. Kérje fel a helyileg illetékes, hivatalos Makita szervizközpontot a javításra. |
| | Az elektromos áramkör sérülése. | Kérje fel a helyileg illetékes, hivatalos Makita szervizközpontot a javításra. |
| | Nincs benyomva a kioldógomb. | Nyomja be a kioldógombot, majd húzza be az indító/leállító kart. |
| A gép recsegő hangot ad ki. | Idegen test tekeredett a vágószerszámba. | Kapcsolja ki a motort, húzza ki a csatlakozódugót, és várjon, amíg a vágószerszám teljesen leáll. Távolítsa el az idegen anyagot. |
| A gép szokatlan hangot ad ki. | Tönkrement a hajtósíj | Kérje fel a helyileg illetékes, hivatalos Makita szervizközpontot a javításra. |
| A gép nem éri el a maximális teljesítményt. | Az áramforrás feszültsége alacsonyabb a szükségesnél. | Csatlakoztassa a gépet másik áramforrásra. Ellenőrizze, hogy a használt áramforrás megfelel-e az előírásoknak. |
| | Eltömődtek a szellőzőnyílások. | Tisztítsa meg a szellőzőnyílásokat. |
| A géppel végzett munka eredménye nem kielégítő. | Túl magas a fű. | A gyep lazítása előtt nyírja le a fűvet. |
| | A vágószerszám elkopott vagy sérült. | Cserélje ki. |
| | A gép teljesítménye nem elegendő az adott területhez. | Csak a gép kapacitásának megfelelő területet szellőztessen át. |
| | A szellőztetés mélysége helytelenül van beállítva. | Állítsa be a vágószerszám mélységét. |

OPCIONÁLIS TARTOZÉKOK

⚠ FIGYELEM:

- A tartozékok vagy kiegészítők használata kizárólag az útmutatóban ismertetett Makita szerszámmal együtt javasolt. Ettől eltérő tartozékok és kiegészítők használata személyi sérülést okozhat. A tartozékokat és a kiegészítőket mindig a megadott rendeltetési céljukra használja.
- Ha a tartozékokkal kapcsolatban segítségre vagy részletesebb tájékoztatásra van szüksége, kérje a helyi Makita szervizközpont segítségét.

Többféle vágószerszám létezik:

- Gyepszellőztető kés - a kés éle meglazítja a talajt és elvágja a gyökereket.
- Gereblyező kés (opcionális tartozék) - finom tűi segítségével eltávolítja a fűvet és a leveleket.
- 2 az 1-ben kés (opcionális tartozék) - egyszerre alkalmas gereblyezésre és szellőztetésre is.

MEGJEGYZÉS:

- Lehetséges, hogy a listában szereplő egyes tételek normál tartozékként a csomag részét képezik. A tételek országoként eltérőek lehetnek.

Csak az európai országok számára

EK-megfelelőségi nyilatkozat

A Makita kijelenti, hogy a következő gép(ek):

A gép megnevezése:

Elektromos gyepszellőztető

Modellszám/típus: UV3600

megfelel a következő európai irányelveknek:

A 2000/14/EK irányelv, melyet a 2005/88/EK, 2006/42/EK 2004/108/EK és 2011/65/EU irányelvek módosítottak.

Gyártásuk a következő szabványoknak vagy előírásoknak megfelelően történik:

EN60335, EN13684

A 2006/42/EK irányelv szerinti műszaki dokumentáció a következő címről szerezhető be:

Makita, Jan-Baptist Vinkstraat 2, 3070, Belgium

A megfelelőségnek a 2000/14/EK jelű irányelv szerinti megállapítását az V. függelék szerint végeztük.

Mért zajszint: 99,53 dB (A)

Garantált zajszint: 104 dB (A)

21.11.2014



Yasushi Fukaya
Igazgató

Makita, Jan-Baptist Vinkstraat 2, 3070, Belgium

VÝSTRAHA: Toto zariadenie smú používať deti vo veku 8 rokov a viac a osoby so zníženými fyzickými, zmyslovými alebo duševnými schopnosťami alebo s nedostatkom skúseností a znalostí, pokiaľ je pre ne zabezpečený dozor alebo zabezpečené zaškolenie týkajúce sa bezpečného používania tohto zariadenia a porozumenia hroziacim nebezpečenstvám. Deti sa nesmú hrať so zariadením. Čistenie a používateľskú údržbu nesmú vykonávať deti bez dozoru.

OZNAČENIE JEDNOTLIVÝCH ČASTÍ (Obr. 1)

- | | | |
|------------------------------------|-------------------------------|-------------------------------|
| 1. Páčka spustenia/zastavenia | 7. Páčka | 13. Rezný nástroj |
| 2. Odišŕovacie tlačidlo | 8. Príchytká (x2) | 14. Svorník a perová podložka |
| 3. Horná tyč rukoväte | 9. Zachytávač trávy | 15. Ložisko |
| 4. Dolná tyč rukoväte | 10. Vychyľovací kryt | 16. Hnací hriadel |
| 5. Uvoľňovací prvok napnutia šnúry | 11. Gombík | |
| 6. Príchytká rukoväte | 12. Prvok na nastavenie výšky | |

TECHNICKÉ ÚDAJE

| | |
|--|--|
| Názov modelu | UV3600 |
| Napätie | 230-240 V |
| Frekvencia | 50 Hz |
| Menovitý príkon | 1 800 W |
| Čistá hmotnosť | 15,3 kg |
| Rýchlosť otáčok bez zaťaženia | 3 500 min ⁻¹ |
| Maximálna šírka obrábania | 360 mm |
| Rozsah pracovnej výšky | 4 krokov (-10/-5/0/5 mm) |
| Objem zachytávača trávy | 40 l |
| Trieda ochrany | IPX4 |
| Hladina akustického tlaku | 81,24 dB (A), K= 2,50 dB (A) |
| Hladina akustického tlaku pri uchu operátora | 85,5 dB (A), K= 2,50 dB (A) |
| Nameraná hladina akustického výkonu | 99,53 dB (A), K= 4,50 dB (A) |
| Zaručená hladina akustického výkonu | 104 dB (A) |
| Vibrácie | 4,673 m/s ² , K= 1,5 m/s ² |

SYMBOLY

V nasledujúcej časti sú uvedené symboly používané pre stroj. Pred použitím stroja sa uistite, že rozumiete ich významu.



• Prečítajte si návod na obsluhu.



• Venujte osobitnú starostlivosť a pozornosť a



• Dvojitá izolácia.



- Používajte ochranné rukavice.



- Používajte pevnú obuv s protišmykovou podrážkou.



- Používajte ochranu zraku a sluchu.



- Počkajte, kým sa úplne nezastavia všetky časti stroja.



- Dávajte pozor na ostré rezné nástroje.



- Vypnite motor a odpojte stroj od napájacej zásuvky pred čistením alebo údržbou, alebo v prípade poškodenia napájacieho kábla.



- Predmety môžu byť vymršťované veľkou rýchlosťou.



- Dodržiavajte bezpečnú vzdialenosť medzi okolostojacimi alebo zvieratami a pracovnou oblasťou.



- Stroj nevystavujte pôsobeniu dažďa ani vlhkosti.



- Ak dôjde k poškodeniu alebo prerezaniu napájacieho kábla, ihneď odpojte zástrčku od sieťového napájania.



- Hrozí riziko zasiahnutia elektrickým prúdom.



- Nepribližujte sa s káblom k rezným nástrojom ani kolesám.



- Len pre krajiny EÚ
Elektrické zariadenia nelikvidujte spolu s komunálnym odpadom!
V súlade s dodržaním Európskej smernice o zbere a recyklácii elektrického a elektronického odpadu a jej zavedením do celoštátnej legislatívy sa musia elektrické zariadenia, ktoré dosiahli koniec svojej životnosti, zberať osobitne a odovzdávať do stredísk v y k o n á v a j ú c i c h recykláciu spôsobom šetrným k životnému prostrediu.

BEZPEČNOSTNÉ UPOZORNENIA

PRED POUŽITÍM STROJA SI POZORNE PREČITAJTE NÁVOD NA POUŽITIE UCHOVAJTE PRE POUŽITIE V BUDÚCNOSTI



Nezačínajte obsluhovať tento stroj, pokiaľ si neprečítate tento návod na obsluhu. Dodržiavajte uvedené pokyny a stroj nainštalujte podľa popisu.

Určenie použitia tohto zariadenia

- Tento stroj je určený na skarifikáciu alebo hrabanie v záhradách.
- Tento skarifikátor je určený len na súkromné použitie a nie na komerčné použitie. Nepoužívajte ho ani na verejných miestach.

Pre verejné nízkonapäťové rozvodné systémy s napätím 220 V až 250 V.

Prepínania elektrického prístroja spôsobujú kolísanie napätia. Prevádzka tohto zariadenia za nepriaznivých podmienok v sieti môže mať škodlivý účinok na prevádzku iných zariadení. Pri impedancii siete rovnej 0,412 ohmov alebo nižšej možno predpokladať, že nenastanú žiadne negatívne účinky. Sieťová zástrčka použitá pre toto zariadenie musí byť chránená poistkou alebo ochranným ističom s pomalými charakteristikami vypínania.

Všeobecné pokyny

- Prečítajte si tento návod na obsluhu, aby ste sa oboznámili so zaobchádzaním s týmto strojom. Nedostatočne informovaní používatelia, ktorí manipulujú s týmto strojom, zvyšujú riziko vzniku požiaru, zasiahnutia elektrickým prúdom alebo zranenia seba aj ostatných.
- Nepožičiavajte tento stroj osobám, ktoré sú zjavne neskúsené.

- Keď požičiavate tento stroj, vždy priložte aj tento návod na obsluhu.
- Tento stroj nie je určený na to, aby ho používali osoby so zníženými fyzickými, zmyslovými alebo duševnými schopnosťami alebo nedostatkom skúseností a znalostí. Nad malými deťmi by mal byť zabezpečený dozor, aby sa zaistilo, že sa nebudú so strojom hrať.
- Stroj používajte len vtedy, keď ste v dobrej fyzickej kondícii. Akúkoľvek prácu vykonávajte pokojne a opatrne. Používateľ je zodpovedný za bezpečnosť osôb a škody v okolí pracoviska.
- Nikdy nepoužívajte tento stroj po požití alkoholu alebo drog a ani v prípade, že sa cítite unavení alebo ste chorí.
- Oddýchnite si, aby ste nestratili kontrolu nad strojom kvôli únave. Odporúčame 10- až 20-minútový odдых po každej hodine.
- Stroj používajte v súlade s týmto návodom, pričom vezmite do úvahy pracovné podmienky a danú aplikáciu. Iné ako určené použitie stroja by mohlo viesť k vzniku nebezpečnej situácie.
- Celoštátne alebo miestne predpisy môžu obmedzovať narábanie s týmto strojom.
- Zostaňte ostražití. Sústreďte sa na svoju prácu. Používajte zdravý rozum. Neobsluhujte stroj, keď ste unavení.

Osobné ochranné prostriedky

- Používajte vhodný odev. Odev by mal byť funkčný a primeraný, t.j. mal by byť priliehavý, ale nemal by spôsobovať obmedzenie pohybu. Nenoste šperky ani oblečenie, ktoré by sa mohli zapliesť do stroja. Používajte ochrannú pokrývku hlavy na dlhé vlasy.
- Vždy používajte ochranu sluchu, aby nedošlo k strate sluchu.
- Používajte ochranné okuliare na ochranu zraku pred lietajúcimi predmetmi a úlomkami.
- Používajte ochranné rukavice, aby nedošlo k poraneniu prstov.
- Používajte protiprachovú masku na zníženie rizika zranenia.
- Pri používaní stroja vždy noste pevnú obuv s protišmykovou podrážkou. Zabezpečuje ochranu proti zraneniam a stabilitu.
- Počas obsluhy stroja vždy používajte pevnú obuv a dlhé nohavice. Stroj neobsluhujte bosí ani s obutými otvorenými sandálmi.

Bezpečnosť pracoviska

- Počas obsluhy stroja zabezpečte, aby sa k pracovnej oblasti nepribližovali deti a okolostojace osoby ani zvieratá.
- Skontrolujte pracovnú oblasť, či sa v nej nenachádzajú kamene, drôty, sklo či iné cudzie predmety. Cudzí predmet by sa mohol zachytiť do stroja, alebo by ho stroj mohol vymrštiť, čo by mohlo viesť k poškodeniu alebo zraneniu.

- Stroj obsluhujte len pri dobrej viditeľnosti a za denného svetla. Stroj neobsluhujte v tme ani v hmle.
- Stroj neobsluhujte vo výbušnom prostredí, v ktorom sa vyskytujú horľavé kvapaliny, plyny alebo prach. Stroj vytvára iskry, ktoré by mohli zapáliť prach alebo výpary.
- Stroj nevystavujte pôsobeniu dažďa ani vlhkosti. Voda môže po vniknutí do stroja zvýšiť riziko zasiahnutia elektrickým prúdom.

Spustenie stroja

- Pred pripojením zástrčky stroja do elektrickej zásuvky alebo zapnutím stroja:
 - Skontrolujte zástrčku a kábel a uistite sa, že sú v dobrom stave.
 - Skontrolujte všetky skrutky, matice a ostatné upevňovacie prvky, či sú správne zaistené.
 - Skontrolujte rezné nástroje, či sú na mieste a v dobrom prevádzkovom stave.
 - Skontrolujte, či kryty a bezpečnostné prvky, ako sú vychyľovače alebo zachytávač trávy, fungujú správne.
 - Skontrolujte, či vetracie otvory nie sú zakryté prachom alebo inými cudzími materiálmi. Ak sú upchaté, vyčistite ich mäkkou kefkou alebo handričkou.

- Vymeňte poškodené alebo nečitateľné štítky.
- Dôkladne skontrolujte všetky časti stroja, aby ste určili, či funguje správne a vykonáva svoju zamýšľanú funkciu. Predovšetkým, nikdy nepoužívajte stroj, ak vypínač nefunguje normálne.
- Uistite sa, že je vypínač vypnutý, aby nedošlo k neúmyselnému spusteniu.
- Skontrolujte, či sú všetky nástroje na údržbu, ako sú nastaviteľný kľúč alebo kľúč na matice, odstránené.
- Ak je napájací kábel poškodený, požiadajte autorizované servisné stredisko spoločnosti Makita o jeho výmenu, pričom vždy použite originálne náhradné diely.
- Nikdy nepoužívajte stroj, ak je bezpečnostný prvok, ako je vychyľovací kryt alebo zachytávač trávy, poškodený či chýba.
- Keď zapínate motor:
 - Nepribližujte sa chodidlami k rezným nástrojom.
 - Nenakláňajte stroj.
 - Nestojte pred výstupným otvorom.
 - Nikdy sa nepribližujte rukami ani inými časťami tela či odevu k pohyblivým častiam.

Elektrická bezpečnosť

- Pred použitím stroja skontrolujte, či zástrčka na stroji pasuje do zásuvky.
- Zástrčku nikdy neupravujte.
- S káblom nezaobchádzajte nešetrne. Nikdy nepoužívajte kábel na prenášanie, ťahanie ani odpájanie stroja. Kábel uchovávajte mimo pôsobenia tepla, oleja, ostrých hrán alebo pohyblivých častí. Poškodené alebo zamotané káble zvyšujú riziko zasiahnutia elektrickým prúdom.
- Pravidelne kontrolujte predlžovací kábel, či nedošlo k poškodeniu jeho izolácie. Ak je poškodený, vymeňte ho.
- Ak je spojovací kábel poškodený, okamžite odpojte sieťovú napájaciu zástrčku. Poškodený kábel môže spôsobiť kontakt s časťami pod napätím a následné zasiahnutie elektrickým prúdom.
- Nikdy nepoužívajte poškodený kábel.
- Nepribližujte sa s káblom a predlžovacím káblom k rezným nástrojom a kolesám. Rezné nástroje môžu poškodiť kábel a spôsobiť zasiahnutie elektrickým prúdom.
- Pri použití stroja vo vonkajšom prostredí vždy používajte prúdový chránič (RCD) s prevádzkovým prúdom maximálne 30 mA.
- Používajte len predlžovací kábel určený na použitie vo vonkajšom prostredí so spojovacími prvkami

- odolnými proti špliechajúcej vode. Jeho prierez musí byť aspoň 1,5 mm² pri dĺžke kábla do 25 m a 2,5 mm² pri dĺžke kábla viac ako 25 m.
- Tento stroj by sa mal pripojiť len k napájaniu s rovnakým napätím, ako je vyznačené na typovom štítku, pričom by mal pracovať s jednofázovým striedavým napájaním. Zariadenie má dvojité izolácie v súlade s európskou normou, a preto sa môže používať s napájaním zo zásuviek aj bez uzemňovacieho vodiča.
 - Vyhybajte sa kontaktu s ukostrenými alebo uzemnenými povrchmi (napr. potrubím, radiátormi, sporákmi, chladničkami).

Obsluha stroja

- Vyhybajte sa používaniu stroja na mokrej tráve. Keď pracujete na mokrej tráve, dávajte obzvlášť pozor, aby ste sa nepošmykli.
- Počas práce sa pevne držte rukoväť oboma rukami. Rukoväť udržiavajte v suchu a čistote, aby nedošlo k nehode.
- Nebehajte. Počas práce sa pohybujte len rýchlosťou chôdze.
- Pri práci na svahu venujte mimoriadnu pozornosť pevnej pôde pod nohami.
- Nepracujte priamo hore alebo dole svahom. Vždy pracujte vo vodorovnom smere.

- Buďte obzvlášť opatrní pri otáčaní stroja na svahu.
- Nikdy nepracujte na strmom svahu.
- Dávajte mimoriadny pozor pri cúvaní alebo ťahaní stroja k sebe.
- Nikdy nesiahajte do oblastí nachádzajúcich sa za vyššie uvedenými časťami stroja. Vždy udržiavajte pevnú pôdu pod nohami a rovnováhu. Tým sa zaistí lepšia kontrola nad strojom v nečakaných situáciách.
- Vždy pamätajte na nasledovné:
 - Nepribližujte sa chodidlami k rezným nástrojom.
 - Nenakláňajte stroj.
 - Nestojte pred výstupným otvorom.
 - Nikdy sa nepribližujte rukami ani inými časťami tela či odevu k pohyblivým častiam.
- Nastroj nepoužívajte násilie. Stroj vykonáva svoju činnosť lepšie a bezpečnejšie pri rýchlosti, pre ktorú bol skonštruovaný. Časté preťažovanie môže spôsobiť poškodenie motora alebo vznik požiaru.
- Vypnite motor a odpojte stroj od elektrickej zásuvky:
 - Vždy, keď sa stroj ponechá bez dozoru
 - Pred odstraňovaním upchatia alebo akejkoľvek poruchy
 - Pred kontrolou, čistením stroja alebo prácou na stroji

- Pred vykonávaním akýchkoľvek nastavení, zmenou príslušenstva či uskladnením
 - Keď stroj narazí do cudzieho predmetu. Počkejte, kým stroj nevychladne. Pred pokračovaním v práci skontrolujte stroj a podľa potreby vymeňte príslušné diely
 - Vždy, keď stroj začne vibrovať alebo vydávať nezvyčajný hluk
 - Pri pripájaní alebo odpájaní zachytávača trávy
 - Keď niekto vstúpi do vašej pracovnej oblasti
 - Keď prechádzate cez iný ako trávnatý povrch
 - Keď sa stroj prepravuje.
 - Zastavte rezný nástroj:
 - Ak musíte nakloniť stroj
 - Keď prechádzate cez iné ako trávnaté povrchy
 - Pri preprave stroja z povrchov a na povrchy, na ktorých sa bude pracovať.
 - Dávajte pozor na rezné nástroje. Po vypnutí stroja sa nezastavia okamžite.
- ### Návod na údržbu
- Servis stroja nechajte vykonať autorizovaným servisným strediskom, ktoré vždy používa originálne náhradné diely. Nesprávna oprava a nedostatočná údržba môžu skrátiť životnosť stroja a zvýšiť riziko nehôd.
 - Stroj pravidelne kontrolujte.
 - Pred servisom, kontrolou, nastavovaním, uskladnením alebo výmenou príslušenstva vykonajte nasledujúce kroky:
 - Vypnite zdroj napájania
 - Odpojte stroj od prívodu napájania
 - Uistite sa, že sa všetky pohyblivé časti stroja úplne zastavili
 - Nechajte stroj vychladnúť.
 - Skontrolujte možné poškodenie stroja:
 - Či bezpečnostné prvky pracujú správne podľa ich určenej funkcie
 - Či všetky pohyblivé časti pracujú hladko a zodpovedajúcim spôsobom
 - Či nie sú žiadne časti poškodené a či sú správne namontované
 - Skontrolujte rezný nástroj, či nedošlo k jeho poškodeniu, opotrebovaniu alebo strate vyváženia
 - Pravidelne kontrolujte zachytávač trávy, či nedošlo k jeho poškodeniu alebo opotrebovaniu
 - Skontrolujte všetky matice, svorníky a skrutky, či sú pritiahnuté
 - Zabezpečte výmenu alebo opravu v našom autorizovanom servisnom stredisku, ak došlo k poškodeniu alebo opotrebovaniu akýchkoľvek častí stroja.

- Nevykonávajte údržbu ani opravu inú, ako je popísaná v tomto návode na obsluhu. Akékoľvek iné práce na stroji smie vykonávať len autorizované servisné stredisko spoločnosti Makita.
- Používajte len originálne náhradné diely a príslušenstvo značky Makita určené pre váš stroj. V opačnom prípade by mohlo dôjsť k zraneniu osôb alebo poškodeniu stroja.
- Stroj skladujte v suchej miestnosti. Stroj uchovávajte mimo dosahu detí. Stroj nikdy neskladujte vo vonkajšom prostredí.

Vibrácie

- Osoby s nedostatočným krvným obehom, ktoré sú vystavené nadmernému pôsobeniu vibrácií, môžu utrpieť poškodenie krvných ciev alebo nervovej sústavy. Vibrácie môžu spôsobiť výskyt nasledujúcich príznakov v prstoch, rukách alebo zápästiach: „Uspatie“ (z necitlivenie), trpnutie, bolesť, pocity pichania, zmena sfarbenia pokožky alebo zmena samotnej pokožky. Ak sa vyskytnú ktorýkoľvek z týchto príznakov, vyhľadajte lekára.
- Aby sa znížilo riziko výskytu „choroby bielych prstov“, počas práce udržiavajte ruky v teple a dbajte na dobrú údržbu zariadenia a príslušenstva.

⚠ VÝSTRAHA:

- Tento stroj vytvára počas činnosti elektromagnetické pole. Odporúča sa, aby sa osoby so zdravotníckymi implantátmi pred použitím tohto stroja poradili so svojím lekárom a výrobcom implantátu. V opačnom prípade by mohlo elektromagnetické pole ovplyvniť činnosť zdravotníckych implantátov a viesť k vážnemu zraneniu.

ZOSTAVA

⚠ POZOR:

- Vždy pred vykonávaním akýchkoľvek prác na stroji nezabudnite vypnúť stroj a odpojiť ho od elektrickej zásuvky.

Montáž rukoväte (Obr. 2, 3)

- 1) Dolnú tyč rukoväte (4) pripevnite k stroju pomocou gombíkov (11).
- 2) Hornú tyč rukoväte (3) umiestnite na dolnú tyč rukoväte a potom ich upevnite pomocou dvoch rozpier, matice a páčky (7).
- 3) Upevnite kábel pomocou príchytiek (8) na rukoväť.

Montáž zachytávača trávy

⚠ POZOR:

- Nepoužívajte stroj bez zachytávača trávy. V opačnom prípade by mohol vymrštený predmet spôsobiť zranenie.
- Pri zariadeniach so zadným výstupom s odkrytými zadnými valcami sa pri obsluhu bez zachytávača musí používať úplná ochrana zraku.

POZNÁMKA:

- Výkon stroja klesá po naplnení zachytávača trávy. Pravidelne vyprázdňujte zachytávač trávy pred tým, ako sa úplne naplní.

Pripojenie zachytávača trávy

Nadvihnite vychyľovací kryt (10) a podržte ho. Vložte háčiky na zachytávač trávy do drážok na stroji.

Odpojenie zachytávača trávy

Nadvihnite vychyľovací kryt (10) a podržte ho. Zachytávač trávy odpojte uvoľnením háčikov z drážok na stroji.

Uvoľňovací prvok napnutia šnúry (Obr. 4)

Uvoľňovací prvok napnutia šnúry (5) pomáha zabrániť zamotaniu šnúry do čepele alebo kolesa.

Vytvorte malú slučku na konci sieťového napájacieho kábla a prevlečte ho cez otvor uvoľňovacieho prvku napnutia šnúry a potom ho zaveste na háčik.

Počas používania stroja vždy majte na pamäti polohu kábla. Svoju prácu začnite od najbližšieho bodu k napájaniu, aby nedošlo k náhodnému prerezaniu kábla. Odporúča sa, aby ste mali kábel počas práce prevesený cez plece.

⚠ **POZOR:**

- Používajte ochranné rukavice.
- Mimoriadnu pozornosť venujte manipulácii s rezným nástrojom. Je veľmi ostrý a počas činnosti sa môže zohriať na vysokú teplotu.
- Vždy používajte vhodný rezný nástroj v súlade s vašou činnosťou.
- Pred prácou sa uistite, že dva svorníky, ktorými je rezný nástroj prichytený k stroju, sú pevne pritiahnuté. Stroj nepoužívajte, ak je svorník uvoľnený alebo chýba. Ak je poškodený, ihneď ho vymeňte.

Vybratie rezného nástroja

- 1) Odstráňte zachytávač trávy (9).
- 2) Odstráňte rukoväť zo stroja.
- 3) Umiestnite stroj hore nohami na plochý povrch.
- 4) Uvoľnite dva svorníky (14). Vyberte ich spolu s perovými podložkami.
- 5) Nadvihnite ložiskovú časť rezného nástroja (15) a potom vytiahnite rezný nástroj (13) z hnacieho hriadeľa (16).

Založenie rezného nástroja

- 1) Vložte rezný nástroj zasunutím jeho časti so šesťhrannou maticou do otvoru hnacieho hriadeľa.
- 2) Upevnite ložiskovú časť k stroju pomocou svorníkov a perových podložiek.

POPIS FUNKCIE

⚠ **VÝSTRAHA:**

- Pred každým pripojením stroja k elektrickej zásuvke sa uistite, že je stroj vypnutý. Pripojenie stroja k elektrickej zásuvke s vypínačom v zapnutej polohe by mohlo spôsobiť nečakané spustenie stroja, ktoré by mohlo viesť k vážnemu zraneniu osôb.

- Nikdy nepoužívajte stroj, ak je napájací kábel poškodený. V opačnom prípade by mohlo dôjsť k zasiahnutiu elektrickým prúdom.
- Stroj nepoužívajte, ak sa pomocou vypínača nedá stroj zapnúť a vypnúť. Chybné vypínače dajte vymeniť v autorizovanom servisnom stredisku spoločnosti Makita.

Páčka spustenia/zastavenia

Ak chcete spustiť stroj, podržte stlačené odist'ovacie tlačidlo (2) a potom úplne potiahnite páčku spustenia/zastavenia (1) a podržte ju. Po potiahnutí páčky spustenia/zastavenia už nie je potrebné držať odist'ovacie tlačidlo. Ak chcete zastaviť stroj, jednoducho uvoľnite páčku spustenia/zastavenia.

Nastavenie uhla rukoväte

Uhol hornej tyče rukoväte je možné zmeniť.

- 1) Odist'ite príchytky rukoväte (6).
- 2) Nastavte uhol hornej tyče rukoväte (3).
- 3) Znova zaistite príchytky rukoväte.

Nastavenie výšky

V závislosti od stavu trávy nastavte výšku rezného nástroja.

Podľa nižšie uvedenej tabuľky môžete približne nastaviť hĺbku záberu.

| Výška | Použitie | |
|--------|---|--|
| | Skarifikácia | Hrabanie (voliteľné príslušenstvo) |
| +5 mm | Na prepravu a skladovanie. Skarifikácia citlivého trávniká. Odoberanie tenkých vrstiev. Druhý proces skarifikácie na jeseň. | Na prepravu a skladovanie. Hrabanie normálneho trávniká. |
| 0 mm | Skarifikácia normálneho trávniká. Odoberanie normálnej vrstvy. | Hrabanie nerovného hrubého trávniká. |
| -5 mm | Skarifikácia normálneho trávniká. Odoberanie hrubej vrstvy. | NEPOUŽÍVAJTE na proces hrabania. |
| -10 mm | Skarifikácia nerovného hrubého trávniká. Odoberanie hrubej vrstvy. | NEPOUŽÍVAJTE na proces hrabania. |

Zmena výšky

Potlačte prvok na nastavenie výšky (12) smerom von a posuňte ho do požadovanej polohy.

Ochrana proti preťaženiu

Tento stroj je vybavený ochranou proti preťaženiu, ktorá sa uvedie do činnosti v nasledujúcich situáciách:

- Rezný nástroj sa zasekne kvôli rozryvaným materiálom, ktoré sa okolo neho usadia.
- Stroj sa snaží spracovať viac materiálu, než motor dokáže zvládnuť.
- Niečo bráni v otáčaní rezného nástroja.

Keď táto ochrana pracuje, stroj sa vypne automaticky.

Ak sa to stane, odpojte stroj od sieťovej napájacej zásuvky, počkajte, kým nevychladne a odstráňte príčinu preťaženia pred opätovným spustením stroja.

OBSLUHA

Tipy na používanie:

- Pred použitím stroja pokoste trávu a po použití stroja pohnojte pôdu.
- Nastavte hĺbku rezného nástroja podľa výšky trávy a počasia.
- Vyhybajte sa používaniu stroja na mokrej tráve. Mokrá tráva má tendenciu lepiť sa na výstupný otvor a iné časti stroja. Môže tiež spôsobiť pošmyknutie a pád.
- Nepohybujte sa príliš rýchlo. Tlačte stroj pomaly. V opačnom prípade môže dôjsť k upchatiu výstupného otvoru a preťaženiu motora.
- Postupujte čo najviac v priamom smere.
- Vytvárajte mierne sa prekrývajúce obrobene pruhy. Zachová sa rovnomerný a hladký povrch.
- Keď je do pracovnej oblasti zahrnutý kvetinový záhon, vykonajte okolo neho jeden alebo dva kruhy.
- Dávajte obzvlášť pozor pri otáčaní stroja.
- Nezostávajte v jednej polohe. Došlo by k poškodeniu trávy.

Tipy na skarifikáciu:

- Vždy vezmite do úvahy počasie. Teplé, slnečné a vlhké počasie je dobré na skarifikáciu, lebo sa trávnik dokáže zdravým spôsobom regenerovať. Na druhej strane sa však vyhýbajte studenému, horúcemu či suchému počasiu.
- Skarifikáciu trávniku vykonávajte počas jarnej sezóny.
- Ak je leto vlhké, trávnik skarifikujte začiatkom jesene.
- Skarifikáciu nevykonávajte v období mimoriadne horúceho počasia.
- Ak je leto veľmi suché, na jeseň skarifikáciu nevykonávajte.

Tipy na hrabanie:

- Na zachovanie zdravého rastu trávniku v jarnom období sa vyžaduje množstvo vzduchu v oblasti okolo koreňov trávneho porastu.
- Odporúča sa vykonávanie procesu prevzdušňovania na trávniku každých 4 – 6 týždňov podľa stavu trávniku.

ÚDRŽBA

⚠ POZOR:

- Pred vykonávaním kontroly alebo údržby sa vždy uistite, že je stroj vypnutý a odpojený od elektrickej zásuvky.

- Pred vykonávaním kontroly alebo údržby si nasadte ochranné rukavice.
- Po vypnutí stroja sa rezacia zostava nezastaví okamžite. Pred vykonávaním akejkoľvek údržby počkajte, kým sa nezastavia všetky časti.
- Po údržbe sa uistite, že sú zo stroja vybraté všetky nástroje.
- Na čistenie nikdy nepoužívajte benzín, benzén, riedidlo, alkohol ani žiadne podobné látky. Mohlo by dôjsť k odfarbeniu, deformácii alebo prasklinám. Na čistenie stroja používajte len navlhčenú handričku a mäkkú kefku.
- Nikdy nečistite stroj prúdom vody pod vysokým tlakom.

Pri preprave stroja dávajte pozor na nasledujúce body:

- Vypnite motor, odpojte stroj od napájacej zásuvky a počkajte, kým sa rezný nástroj nezastaví.
- Nastavte hĺbku rezného nástroja na prepravnú výšku.
- Stroj vždy prenášajte za rukoväť.
- Dbajte na to, aby nedošlo k nárazu ani silným vibráciám.
- Stroj pevne zaistite v prípade uloženia na vozidlo.

Po každom použití stroja vykonajte nasledujúce kroky:

- Vypnite motor, odpojte stroj od napájacej zásuvky a počkajte, kým sa rezný nástroj nezastaví.
- Vyčistite zachytávač trávy. Skladujte ho v suchej miestnosti.
- Stroj kontrolujte, čistite a skladujte v suchej miestnosti.

Pravidelne vykonávajte nasledujúce práce:

- Skontrolujte všetky spojovacie prvky, ako sú skrutky, matice, atď., či sú pevne priťahnuté.
- Skontrolujte výskyt nedostatkov, ako sú uvoľnené, opotrebované či poškodené časti. Ak je to potrebné, vymeňte ich.
- Skontrolujte, či nie sú poškodené alebo zdeformované kryty a ochrany.
- Ak stroj začne počas činnosti abnormálne vibrovať, môže to byť spôsobené nevyváženým alebo zdeformovaným rezným nástrojom v dôsledku nárazov cudzích predmetov. Ak k tomu dôjde, dajte rezný nástroj opraviť alebo vymeniť v autorizovanom servisnom stredisku.
- V priebehu času dôjde k postupnému opotrebovaniu rezného nástroja. Pravidelne kontrolujte stav rezného nástroja a jeho stabilitu. Vymeňte ho, ak dôjde k jeho opotrebovaniu alebo otupeniu.
- Pred uskladnením vyčistite a namažte všetky skrutkové časti.

RIEŠENIE PROBLÉMOV

VÝSTRAHA: Pred riešením problémov vypnite stroj, odpojte sieťovú zástrčku a počkajte, kým sa stroj úplne nezastaví.

| Problém | Možná príčina | Riešenie |
|--|--|---|
| Stroj sa nespustí. | Nie je pripojené sieťové napájanie. | Pripojte sieťové napájanie. |
| | Chybný napájací kábel. | Ihneď ho odpojte od napájacej zásuvky. Požiadajte autorizované servisné stredisko spoločnosti Makita o jeho opravu. |
| | Chybný elektrický obvod. | Požiadajte autorizované servisné stredisko spoločnosti Makita o jeho opravu. |
| | Nie je stlačené odist'ovacie tlačidlo. | Stlačte odist'ovacie tlačidlo a potiahnite páčku spustenia/zastavenia. |
| Zo stroja sa ozýva praskanie. | Do rezného nástroja sa zamotala cudzia látka. | Vypnite motor, odpojte stroj od napájacej zásuvky a počkajte, kým sa rezný nástroj nezastaví. A potom odstráňte cudzí materiál. |
| Zo stroja sa ozýva čudný hluk. | Chyba hnacieho remeňa | Požiadajte autorizované servisné stredisko spoločnosti Makita o jeho opravu. |
| Stroj nedosahuje svoj maximálny výkon. | Zdroj napájania má nižšie napätie ako sa vyžaduje. | Vyskúšajte iný zdroj napájania. Skontrolujte, či je k dispozícii vhodný zdroj napájania. |
| | Vetracie otvory sú upchaté. | Vyčistite vetracie otvory. |
| Nedostatočný výsledok. | Tráva je príliš vysoká. | Pred skarifikáciou pokoste trávu. |
| | Rezný nástroj je opotrebovaný alebo poškodený. | Vymeňte ho. |
| | Skarifikovaný povrch presahuje kapacitu stroja. | Skarifikujte len povrch, ktorý je v súlade s kapacitou stroja. |
| | Hĺbka skarifikácie nie je správna. | Nastavte hĺbku rezného nástroja. |

VOLITEĽNÉ PRÍSLUŠENSTVO

POZOR:

- Toto príslušenstvo alebo tieto prídavné zariadenia sa odporúčajú na použitie s vaším zariadením značky Makita uvedeným v tejto príručke. Použitie akéhokoľvek iného príslušenstva alebo iných prídavných zariadení by mohlo predstavovať riziko zranenia osôb. Príslušenstvo alebo prídavné zariadenia používajte len na ich stanovený účel.
- Ak potrebujete akúkoľvek pomoc pri získaní ďalších podrobností ohľadom tohto príslušenstva, kontaktujte svoje miestne servisné stredisko spoločnosti Makita.

K dispozícii je niekoľko typov rezného nástroja:

- Skarifikačná čepeľ - ostrá hrana čepele skarifikuje zem a prerezáva korene.
- Hrabacia čepeľ (voliteľné príslušenstvo) - odstraňuje trávnatý porast a listy pomocou jemných ihliel.
- Čepeľ 2 v 1 (voliteľné príslušenstvo) - Súčasné hrabanie a skarifikácia.

INFORMÁCIA:

- Niektoré prvky v zozname môžu byť súčasťou balenia zariadenia ako štandardné príslušenstvo. Môžu sa líšiť podľa krajiny.

Len pre európske krajiny

Vyhlasenie o zhode ES

Spoločnosť Makita vyhlasuje, že nasledujúce zariadenie:

Názov stroja:

Elektrický skarifikátor

Č. modelu/typ: UV3600

Vyhovuje nasledujúcim európskym smerniciam:

Smernica 2000/14/ES doplnená smernicami

2005/88/ES, 2006/42/ES, 2004/108/ES, 2011/65/EÚ

A je vyrobené v súlade s nasledujúcimi normami alebo štandardizovanými dokumentmi:

EN60335, EN13684

Technický súbor v súlade s 2006/42/ES je k dispozícii od:

Makita, Jan-Baptist Vinkstraat 2, 3070, Belgicko

Proces stanovenia zhody vyžadovaný Smernicou 2000/14/ES sa uskutočnil v súlade s prílohou V.

Nameraná hladina akustického výkonu: 99,53 dB (A)

Zaručená hladina akustického výkonu: 104 dB (A)

21.11.2014



Yasushi Fukaya

Riaditeľ

Makita, Jan-Baptist Vinkstraat 2, 3070, Belgicko

VAROVÁNÍ: Toto zařízení mohou používat děti starší 8 let a osoby s omezenými fyzickými, smyslovými nebo mentálními schopnostmi nebo osoby bez zkušeností a znalostí, pokud jsou pod dohledem nebo pokud dostaly instrukce pro bezpečné používání zařízení a jsou si vědomy možných rizik. Se zařízením si děti nesmí hrát. Čištění a uživatelskou údržbu by neměly provádět děti bez dozoru.

OZNAČENÍ DÍLŮ (Obr. 1)

- | | | |
|--------------------------|-------------------------------|-------------------------------|
| 1. Páčka spouště | 7. Páčka | 13. Nůž |
| 2. Tlačítko odjištění | 8. Spona (x2) | 14. Svorník a pérová podložka |
| 3. Horní část rukojeti | 9. Koš na trávu | 15. Ložisko |
| 4. Spodní část rukojeti | 10. Mulčovací kryt | 16. Pohonná hřídel |
| 5. Závěs síťového kabelu | 11. Knoflík | |
| 6. Svorka rukojeti | 12. Páčka pro nastavení výšky | |

TECHNICKÉ ÚDAJE

| | |
|---|--|
| Název modelu | UV3600 |
| Napětí | 230-240 V |
| Frekvence | 50 Hz |
| Jmenovitý příkon | 1 800 W |
| Čistá hmotnost | 15,3 kg |
| Rychlost bez zatížení | 3 500 min ⁻¹ |
| Maximální šířka řezu | 360 mm |
| Rozsah pracovní výšky | 4 kroků (-10/-5/0/5 mm) |
| Objem koše na trávu | 40 L |
| Třída ochrany | IPX4 |
| Hladina akustického tlaku | 81,24 dB (A), K= 2,50 dB (A) |
| Hladina akustického tlaku u uší obsluhy | 85,5 dB (A), K= 2,50 dB (A) |
| Naměřená hladina akustického výkonu | 99,53 dB (A), K= 4,50 dB (A) |
| Zaručená hladina akustického výkonu | 104 dB (A) |
| Vibrace | 4,673 m/s ² , K= 1,5 m/s ² |

SYMBOLY

Na stroji se používají následující symboly. Než budete stroj používat, přesvědčte se, že symbolům rozumíte.



•Přečtěte si návod k obsluze.



•Použijte ochranné rukavice.



•Dávejte velký pozor.



•Použijte pevnou obuv s protiskluzovou podrážkou.



•Dvojitá izolace.



- Používejte chrániče zraku a sluchu.



- Počkejte, až se díly stroje zcela zastaví.



- Dávejte pozor na ostré nože.



- Než budete provádět čištění nebo údržbu nebo pokud bude poškozený kabel, vypněte motor a stroj odpojte ze sítě.



- Předměty mohou vyletovat velkou rychlostí.



- Udržujte bezpečnou vzdálenost mezi okolostojícími osobami nebo zvířaty a pracovním prostorem.



- Nevystavujte stroj dešti nebo vlhku.



- Pokud bude kabel poškozený nebo pořezaný, okamžitě ho odpojte ze sítě.



- Nebezpečí úrazu elektrickým proudem.



- Nenechávejte kabel v blízkosti nožů nebo koleček.



- Pouze pro země EU
Nevyhazujte elektrické zařízení s materiálem odpadu z domácnosti!
Z důvodu dodržování evropské směrnice týkající se elektrického odpadu a elektronických zařízení a jejich použití v souladu s národními zákony je nutno elektrické zařízení, které dosáhlo konce své životnosti, shromážďovat odděleně a předat firmě zabývající se recyklací šetrnou k životnímu prostředí.

BEZPEČNOSTNÍ VÝSTRAHY

PŘED POUŽÍVÁNÍM SI PEČLIVĚ PŘEČTĚTE NÁVOD K POUŽITÍ ULOŽTE PRO POZDĚJŠÍ POUŽITÍ



Nespouštějte stroj, dokud si nepřečtete tento návod k použití. Dodržujte všechny pokyny a stroj nainstalujte podle popisu.

Určené použití stroje

- Tento stroj je určen pro rozrývání nebo prohrabování zahrad.
- Kultivátor je určen pouze k soukromému a ne ke komerčnímu využití. Nepoužívejte ho na veřejných místech.

Veřejné nízkonapětové rozvodné systémy s napětím mezi 220 V a 250 V.

Při spínání elektrických přístrojů může dojít ke kolísání napětí. Provozování tohoto zařízení za nepříznivého stavu elektrické sítě může mít negativní vliv na provoz ostatních zařízení. Je-li impedance sítě menší nebo rovna 0,412 Ohm, lze předpokládat, že nevzniknou žádné negativní účinky. Síťová zásuvka použitá pro toto zařízení musí být chráněna pojistkou nebo ochranným jističem s pomalou vypínací charakteristikou.

Všeobecné pokyny

- Přečtěte si tento návod a seznamte se s obsluhou stroje. Používání stroje nedostatečně informovanou osobou zvyšuje nebezpečí požáru, úrazu elektrickým proudem nebo zranění samotné obsluhy nebo jiných osob.
- Stroj nepůjčujte osobám, které s ním nemají zkušenosti.
- Když budete stroj půjčovat, vždy k němu předejte tento návod pro obsluhu.
- Stroj není určen k použití osobami se sníženými fyzickými, smyslovými nebo psychickými schopnostmi nebo s nedostatečnými zkušenostmi a znalostmi. Malé děti musí být pod dohledem, aby bylo zaručeno, že si se strojem nebudou hrát.

- Se strojem pracujte pouze, když jste v dobré fyzické kondici. Práci provádějte v klidu a opatrně. Uživatel je zodpovědný za bezpečnost osob a škody v okolí pracovního prostoru.
- Nikdy nepoužívejte tento stroj po požití alkoholu nebo omamných látek nebo když se budete cítit unavení nebo nemocní.
- Odpočiňte si, abyste kvůli únavě neměli sníženou schopnost ovládnutí. Doporučujeme vám, abyste si každou hodinu udělali 10 až 20 minutovou přestávku.
- Stroj používejte v souladu s těmito pokyny s ohledem na pracovní podmínky a použití. Nezáměrné použití stroje může mít za následek nebezpečnou situaci.
- Manipulaci se strojem mohou omezovat národní nebo místní předpisy.
- Buďte ostražití. Sledujte, co děláte. Používejte zdravý rozum. Nepracujte se strojem, pokud budete unaveni.

Osobní ochranné pomůcky

- Řádně se oblékněte. Oděv musí být funkční a přiměřený, tj. musí být přiléhavý, ale nesmí bránit v pohybu. Nenoste šperky nebo oděv, který by se mohl zachytit do stroje. Používejte ochrannou pokrývku hlavy, která zakryje dlouhé vlasy.
- Vždy noste chrániče sluchu, abyste předešli jeho poškození.

- Používejte ochranné brýle, abyste si chránili oči před odletujícími předměty a úlomky.
- Používejte ochranné rukavice, aby nedošlo ke zranění prstů.
- Používejte masku proti prachu, aby se snížilo nebezpečí zranění.
- Když budete používat stroj, vždy noste pevnou obuv s protiskluzovou podrážkou. Tím předejdete zranění a zajistíte si dobrou oporu při chůzi.
- Když budete pracovat se strojem, vždy používejte pevnou obuv a dlouhé kalhoty. Nepracujte se strojem, když budete naboso nebo mít otevřené sandály.

Bezpečnost pracovního prostoru

- Při provozu stroje dohlédněte, aby byly děti a okolostojící včetně zvířat z jeho dosahu.
 - Zkontrolujte pracovní plochu, jestli se na ní nenacházejí kameny, dráty, sklo nebo jiné cizí předměty. Cizí předměty by se mohly zachytit nebo by mohly být strojem odhozeny a způsobit škodu nebo zranění.
 - Se strojem pracujte pouze při dobré viditelnosti a za denního světla. Nepracujte se strojem za tmy nebo v mlze.
 - Stroj neprovozujte ve výbušném prostředí, například v blízkosti hořlavých kapalin, plynů nebo prachu. Stroj vytváří jiskry, které mohou zapálit prach nebo výpary.
- Nevystavujte stroj působení deště nebo vlhka. Voda, která se dostane do stroje, může zvýšit nebezpečí úrazu elektrickým proudem.

Spuštění stroje

- Než připojíte vidlici nebo zapnete stroj:

- Zkontrolujte vidlici a kabel a přesvědčte se, že jsou v dobrém stavu.
- Přesvědčte se, že všechny šrouby, matky a ostatní spojovací prvky jsou dobře zajištěné.
- Přesvědčte se, že nože jsou nasazeny a nachází se v dobrém pracovním stavu.
- Přesvědčte se, že, kryty a bezpečnostní zařízení, například mulčovací kryt nebo koš na trávu, fungují dobře.
- Přesvědčte se, že větrací otvory nejsou zanesené prachem nebo jiným cizím materiálem. Pokud jsou zanesené, vyčistěte je měkkým štětcem nebo hadrem.
- Poškozené nebo nečitelné štítky vyměňte.
- Pečlivě zkontrolujte všechny části stroje a přesvědčte se, že pracují správně a vykonávají očekávanou činnost. Zejména nikdy nepoužívejte stroj, pokud vypínač nebude fungovat správně.

- Aby nedošlo k nežádoucímu spuštění, přesvědčte se, že vypínač je vypnutý.
- Přesvědčte se že jsou odstraněny všechny nástroje pro, údržbu (například seřizovací klíč nebo plochý klíč).
- Pokud bude síťový kabel poškozený, požádejte autorizované servisní středisko Makita o výměnu. Vždy používejte originální náhradní díly.
- Nikdy nepoužívejte stroj, pokud bezpečnostní prvky, například mulčovací kryt nebo koš na trávu, budou poškozeny nebo budou chybět.
- Když budete motor zapínat:
 - Nestůjte v dosahu nožů.
 - Stroj nenaklánějte.
 - Nestůjte před vyhazovacím otvorem.
 - Nikdy nedávejte ruce nebo jiné části těla nebo oděv do blízkosti pohyblivých částí.
- Prodlužovací kabel pravidelně kontrolujte, jestli nemá poškozenou izolaci. V případě poškození ho vyměňte.
- Pokud je propojovací kabel poškozený, okamžitě odpojte síťovou vidlici. Poškozený kabel může způsobit dotyk s živými částmi a úraz elektrickým proudem.
- Nikdy nepoužívejte poškozené kabely.
- Dejte pozor, aby se kabel a prodlužovací kabel nedostal do blízkosti nožů a kol. Nože mohou poškodit kabel a způsobit úraz elektrickým proudem.
- Když budete stroj používat ve venkovním prostředí, vždy používejte jistič kombinovaný s chráničem (RCD) se spouštěcím proudem 30 mA nebo méně.
- Používejte pouze prodlužovací kabel pro venkovní použití s konektorem chráněným proti stříkající vodě. Jeho průřez musí být minimálně 1,5 mm² pro kabely s délkou do 25 m a 2,5 mm² pro kabely delší než 25 m.
- Stroj se smí připojit pouze k síťovému napájení se stejným napětím, jaké je uvedeno na štítku, a smí se provozovat pouze na jednofázový střídavý proud. Stroj má dvojitou izolaci v souladu s evropskými normami a lze ho proto zapojit do zásuvek bez zemního vodiče.

Elektrická bezpečnost

- Před použitím se přesvědčte, že vidlici na stroji lze zastrčit do zásuvky.
- Vidlici nikdy neupravujte.
- S kabelem nezacházejte hrubě. Kabel nikdy nepoužívejte k přenášení, tahání nebo odpojení stroje od zásuvky. Kabel udržujte mimo dosah tepla, oleje, ostrých hran nebo pohyblivých dílů. Poškozené nebo zamotané kabely zvyšují nebezpečí úrazu elektrickým proudem.

- Dávejte pozor, aby během provozu nedošlo k dotyku těla s uzemněným povrchem (např. potrubí, radiátory, sporáky, chladničky).

Provoz

- Stroj nepoužívejte na mokré trávě. Když budete pracovat na mokré trávě, dávejte pozor, zejména abyste neuklouzli.
- Během práce držte rukojeť pevně oběma rukama. Udržujte rukojeť suchou a čistou, aby nedošlo k úrazům.
- Neběhejte. Při práci se pohybujte pouze chůzí.
- Když budete pracovat na svahu, věnujte zvýšenou pozornost zejména chůzi.
- Nepracujte na svahu přímo nahoru nebo přímo dolů. Vždy pracujte vodorovně.
- Zejména dávejte pozor, když se na svahu budete obracet.
- Nikdy nepracujte na strmém svahu.
- Dávejte velký pozor, když se budete obracet nebo budete stroj táhnout k sobě.
- Nezakopněte. Vždy chodte správně a udržujte rovnováhu. Umožní vám to lepší kontrolu stroje v neočekávaných situacích.
- Vždy mějte na paměti:
 - Nestůjte v dosahu nožů.
 - Stroj nenaklánějte.
 - Nestůjte před vyhazovacím otvorem.

- Nikdy nedávejte ruce nebo jiné části těla nebo oděv do blízkosti pohyblivých částí.
- Stroj nezrychlujte. Odvede práci lépe a bezpečněji rychlostí, na kterou byl navržen. Časté přetěžování může způsobit poruchu motoru nebo požár.
- Motor vypněte a vytáhněte ze zásuvky:
 - Kdykoliv stroj ponecháte bez dozoru
 - Před odstraňováním překážek nebo závady
 - Před kontrolou, čištěním nebo prací na stroji
 - Před seřizováním, výměnou příslušenství nebo uskladněním
 - Když stroj narazí na cizí předmět. Počkejte, až stroj vychladne. Zkontrolujte stroj a než budete pokračovat, v případě nutnosti vyměňte díly
 - Kdykoliv stroj začne vibrovat nebo vydávat neobvyklý hluk
 - Když budete připojovat nebo sundávat koš na trávu
 - Když někdo vstoupí do pracovního prostoru
 - Když budete přejíždět jiný než travnatý povrch
 - Během přenášení.
- Zastavte nůž:
 - Pokud stroj musíte naklonit
 - Když budete přejíždět jiné než travnaté povrchy

- Když budete stroj přenášet na plochy, na kterých se má pracovat, nebo z nich.
- Na nože dávejte pozor. Po vypnutí se nezastaví okamžitě.

Pokyny pro údržbu

- Servis stroje si nechte provádět od autorizovaného servisního střediska a vždy používejte pouze originální náhradní díly. Nesprávná oprava a nedostatečná údržba může životnost stroje zkrátit a zvýšit nebezpečí úrazu.
- Stroj kontrolujte v pravidelných intervalech.
- Před servisem, kontrolou, seřizováním, uskladněním nebo výměnou příslušenství proveďte následující kroky:
 - Vypněte zdroj napájení
 - Odpojte stroj od síťového napájení
 - Přesvědčte se, že pohyblivé díly jsou zcela v klidu
 - Nechte stroj vychladnout.
- Zkontrolujte případné závady stroje:
 - Zda bezpečnostní prvky pracují správně s určenou funkcí
 - Zda se všechny pohyblivé díly pohybují lehce a odpovídajícím způsobem
 - Zda jsou všechny pohyblivé díly nepoškozené a správně nasazené
 - Zkontrolujte nůž, zda není poškozený, opotřebený nebo nevyvážený

- Pravidelně kontrolujte koš na trávu, zda není poškozený nebo opotřebený
- Zkontrolujte všechny matky, svorníky a šrouby, zda jsou utažené
- Pokud zjistíte nějaké vadné nebo opotřebené díly, jejich výměnu nebo opravu svěřte autorizovanému servisnímu středisku.

- Neprovádějte jinou údržbu nebo opravy, než které jsou popsány v tomto návodu k obsluze. Jakékoli jiné práce musí provádět autorizované servisní středisko Makita.
- Používejte pouze originální náhradní díly a příslušenství Makita určené pro váš stroj. Jinak může dojít ke zranění osob nebo k poškození stroje.
- Stroj ukládejte do suché místnosti. Nenechávejte ho v dosahu dětí. Stroj nikdy neskladujte venku.

Vibrace

- Osoby s potíženími krevního oběhu, které jsou vystaveny nadměrným vibracím, mohou utrpět poškození žil nebo nervového systému. Vibrace mohou způsobit následující příznaky, které se projeví v prstech, rukou nebo na zápěstí: „Usínání“ (pocit necitlivosti), mravenčení, bolesti, pocit bodání, změna zabarvení kůže nebo změny pokožky. Pokud se objeví některé z těchto příznaků, vyhledejte lékaře.
- Aby se snížilo nebezpečí syndromu „zbělení prstů“, udržujte ruce během práce v teple a provádějte důkladnou údržbu zařízení a příslušenství.

⚠ VAROVÁNÍ:

- Tento stroj během provozu vytváří elektromagnetické pole. Doporučuje se, aby se osoby s implantáty před používáním tohoto stroje poradily se svým lékařem a výrobcem implantátu.

Jinak by elektromagnetické pole mohlo implantáty ovlivňovat a vést k vážným následkům.

SESTAVENÍ

⚠ UPOZORNĚNÍ:

- Než budete na stroji provádět nějaké práce, vždy se přesvědčte, že je vypnutý a odpojený od sítě.

Sestavení rukojeti (Obr. 2, 3)

- 1) Spodní část rukojeti (4) utáhněte ve stroji pomocí knoflíků (11).
- 2) Horní část rukojeti (3) vložte do spodní části rukojeti, a pak je sešroubujte se dvěma podložkami, maticí a páčka (7).
- 3) Připevněte kabel pomocí spony (8) na rukojeť.

Sestavení koše na trávu

⚠ UPOZORNĚNÍ:

- Neprovozujte stroj bez koše na trávu. Jinak by odmrštěné předměty mohly způsobit zranění.
- U strojů se zadním vyhazováním a nechráněnými zadními kolečky používaných bez koše je nutno používat kompletní ochranu očí.

POZNÁMKA:

- Když bude koš na trávu plný, výkon stroje se sníží. Koš na trávu vyprazdňujte pravidelně dřív, než se úplně zaplní.

Nasazení koše na trávu

Mulčovací kryt (10) vyklopte nahoru a přidržte ho. Háky na koši na trávu nasadte do drážek na stroji.

Sundání koše na trávu

Mulčovací kryt (10) vyklopte nahoru a přidržte ho. Koš na trávu sundejte uvolněním háků z drážek na stroji.

Závěs síťového kabelu (Obr. 4)

Závěs síťového kabelu (5) zabraňuje zachycení kabelu do nože nebo kola.

Na konci síťového kabelu udělejte malou smyčku a protáhněte ji skrz otvor v závěsu síťového kabelu a kabel pak zavěste na hák.

Při práci vždy mějte na paměti umístění kabelu. Aby nedošlo k náhodnému prořiznutí kabelu, práci začněte od místa nejbližší síťovému připojení. Stroj nepoužívejte, pokud je svorník uvolněn nebo chybí. Pokud je poškozen, okamžitě ho vyměňte.

Demontáž nebo nasazení nože

⚠ UPOZORNĚNÍ:

- Používejte ochranné rukavice.
- Při manipulaci s nožem dávejte velký pozor. Je velmi ostrý a během provozu může být horký.
- Vždy používejte správný nůž podle prováděné práce.
- Před provozem se přesvědčte, že dva svorníky, které drží nůž na stroji, jsou pevně utažené. Stroj nepoužívejte, pokud bude nůž uvolněn nebo bude chybět, a okamžitě ho vyměňte.

Demontáž nože

- 1) Sundejte koš na trávu (9).
- 2) Sundejte rukojeť ze stroje.
- 3) Stroj otočte vzhůru nohama na rovnou plochu.
- 4) Uvolněte dva svorníky (14). Odstraňte svorníky a pérové podložky.
- 5) Zdvihněte ložiskovou část nože (15) a pak nůž (13) vytáhněte z pohonné hřídele (16).

Nasazení nože

- 1) Nasadte nůž nasunutím jeho části s šestihlannou matkou na lůžko pohonné hřídele.
- 2) Utáhněte ložiskovou část ke stroji pomocí svorníků a pérových podložek.

POPIS FUNKCE

⚠ VAROVÁNÍ:

- Než zapojíte stroj do sítě, vždy se přesvědčte, že je vypnutý. Zapojení stroje do sítě při zapnutém vypínači může způsobit neočekávané spuštění, které může způsobit zranění osob.
- Nikdy nepoužívejte stroj, pokud napájecí kabel bude poškozený. Jinak hrozí úraz elektrickým proudem.

• **Stroj nepoužívejte, pokud vypínač nelze zapnout a vypnout. Vadný vypínač si nechejte opravit u autorizovaného servisního střediska Makita.**

Páčka spouště

Chcete-li stroj spustit, stiskněte a přidržte tlačítko odjištění (2) a pak plně zatáhněte za páčku spouště (1) a držte ji. Jakkmile zatáhnete za páčku spouště, tlačítko odjištění už není nutno držet.

Chcete-li stroj zastavit, jednoduše páčku spouště uvolněte.

Nastavení úhlu rukojeti

Úhel horní části rukojeti lze změnit.

- 1) Odjistíte svorky rukojeti (6).
- 2) Upravte úhel horní části rukojeti (3).
- 3) Svorky opět zajistíte.

Nastavení výšky

Výšku nože nastavíte podle stavu trávníku.

Následující tabulku použijte jako hrubé vodítko pro nastavení hloubky.

| Výška | Použití | |
|--------|---|---|
| | Rozrývání | Prohrabování (volitelné příslušenství) |
| +5 mm | Přeprava a uložení Rozrývání choulostivého trávníku Odstraňování tenké vrstvy staré trávy Druhé rozrývání na podzim | Přeprava a uložení Prohrabování normálního trávníku |
| 0 mm | Rozrývání normálního trávníku Odstraňování normální vrstvy staré trávy | Prohrabování hrubého silného trávníku |
| -5 mm | Rozrývání normálního trávníku Odstraňování silné vrstvy staré trávy | NEPOUŽÍVAT k prohrabování |
| -10 mm | Rozrývání hrubého silného trávníku Odstraňování silné vrstvy staré trávy | NEPOUŽÍVAT k prohrabování |

Změna výšky

Páčku pro nastavení výšky (12) zatlačte nahoru a posuňte ji do požadované polohy.

Ochrana proti přetížení

Tento stroj je vybaven ochranou proti přetížení a aktivuje se v následujících situacích:

- Nůž se zanesou, protože se rozrývané materiály nanesou kolem něj.
- Stroj se snaží rozrýt více, než jeho motor zvládne.
- Něco brzdí otáčení nože.

Když se aktivuje tato ochrana, stroj se automaticky vypne.

Pokud k tomu dojde, vytáhněte kabel ze zásuvky a počkejte, až vychladne. Před dalším spuštěním odstraňte příčinu přetížení.

PROVOZ

Tipy pro práci:

- Trávník posekejte před prací a hnojení proveďte po práci.
- Hloubku nože seříďte podle výšky trávníku a počasí.
- Stroj nepoužívejte na mokré trávě. Ta má tendenci se nalepovat na vyhazovací otvor a ostatní části stroje. Také to může způsobit sklouznutí a pád.
- Nepohybujte se příliš rychle. Stroj tlačte pomalu. Jinak může dojít k zanesení vyhazovacího otvoru a přetížení motoru.
- Pracujte pokud možno co nejvíce po přímé brázdě.
- Rozrývané brázdě by se měly trochu překrývat. Udrží se tím rovnoměrný a hladký povrch.
- Když na pracovní ploše bude květinový záhon, udělejte kolem něj jedno nebo dvě kolečka.
- Dávejte velký pozor, když budete stroj obracet.
- Nestůjte na jednom místě. Trávník se tím poškodí.

Tipy pro rozrývání:

- Vždy berte v úvahu počasí. Teplé, slunné a vlhké počasí je pro rozrývání dobré, protože trávník se může zdravě obnovit. Na druhé straně se vyhýbejte studenému, horkému a suchému počasí.
- Rozrývání trávníku provádějte v jarním období.
- Pokud bylo léto vlhké, rozrývání trávníku proveďte brzy na podzim.
- Rozrývání neprovádějte během extrémně horkého počasí.
- Pokud bude léto velmi suché, rozrývání neprovádějte na podzim.

Tipy pro prohrabování:

- Prostor kolem kořenů trávníku potřebuje dostatek vzduchu, aby se během jara udržoval jeho zdravý růst.
- Pro vzdušňování trávníku se doporučuje provádět každých 4 – 6 týdnů podle jeho stavu.

ÚDRŽBA

⚠ UPOZORNĚNÍ:

- Než budete provádět kontrolu nebo údržbu, vždy se přesvědčte, že stroj je vypnutý a odpojený ze sítě.
- Než budete provádět kontrolu nebo údržbu, navlékněte si ochranné rukavice.
- Řezný nástroj se po vypnutí nezastaví okamžitě. Než budete provádět údržbu, počkejte, až se všechny díly zastaví.
- Po provedení údržby se přesvědčte, že všechny nástroje byly odstraněny.

• K čištění nikdy nepoužívejte automobilový benzín, technický benzín, ředidlo, alkohol nebo podobně. Může dojít ke změně zbarvení, deformacím nebo prasklinám. Chcete-li stroj očistit, používejte pouze vlhký hadr a měkký štětec.

• Na stroj nestříkejte hadicí ani ho nečistěte tlakovou vodou.

Když budete stroj přenášet, dávejte pozor na následující:

- Vypněte motor, odpojte stroj ze sítě a počkejte, až se nůž zastaví.
- Hloubku nože upravte na transportní výšku.
- Přenášení stroje provádějte vždy za jeho rukojeť.
- Vyhýbejte se velkým nárazům a silným vibracím.
- Když stroj bude naložen do vozidla, pevně ho zajistěte.

Po každé práci proveďte následující kroky:

- Vypněte motor, odpojte stroj ze sítě a počkejte, až se nůž zastaví.
- Vyčistěte koš na trávu. Uložte ho do suché místnosti.
- Stroj zkontrolujte, vyčistěte a uložte ho do suché místnosti.

Následující práce provádějte pravidelně:

- Přesvědčte se, že všechny upínací prvky, například šrouby, matky, atd. jsou pevně utaženy.
- Zkontrolujte případné závady, například uvolněné, opotřebené nebo poškozené díly. V případě potřeby je vyměňte.
- Přesvědčte se, že kryty a zábrany nejsou poškozené nebo zdeformované.
- Pokud se stroj během provozu začne abnormálně třást, může to být způsobeno nevyváženým nebo zdeformovaným nožem v důsledku nárazu na cizí předměty. Pokud k tomu dojde, nechejte si nůž opravit nebo vyměnit v autorizovaném servisním středisku.
- V průběhu času dochází k opotřebení nože. Stav nože a jeho stabilitu pravidelně kontrolujte. Pokud bude opotřebený nebo tupý, vyměňte ho.
- Všechny šroubové části před uložením vyčistěte a namažte.

ŘEŠENÍ ZÁVAD

VAROVÁNÍ: Než budete řešit problémy, vypněte stroj, vytáhněte vidlici ze sítě a počkejte, až se stroj úplně zastaví.

| Závada | Možná příčina | Řešení |
|--------------------------------------|--|--|
| Stroj se nespustí. | Není připojeno napájení. | Připojte napájecí kabel. |
| | Závada napájecího kabelu. | Okamžitě odpojte. Požádejte své místní servisní středisko Makita o opravu. |
| | Závada elektrického obvodu. | Požádejte své místní servisní středisko Makita o opravu. |
| | Tlačítko odjištění není stisknuto. | Stiskněte tlačítko odjištění a zatáhněte páčku spouště. |
| Ze stroje se ozývají praskavé zvuky. | Do nože se zachytil cizí materiál. | Vypněte motor, odpojte stroj od sítě a počkejte, až se nůž zastaví. Pak cizí materiál odstraňte. |
| Ze stroje se ozývá divný zvuk. | Závada hnacího řemenu | Požádejte své místní servisní středisko Makita o opravu. |
| Stroj nedosahuje maximálního výkonu. | Zdroj napájení má nižší než požadované napětí. | Vyzkoušejte jiný zdroj napájení. Přesvědčte se, že je použitý správný zdroj napájení. |
| | Větrací otvory jsou zanesené. | Vyčistěte větrací otvory. |
| Neuspokojivý výsledek. | Tráva je příliš vysoká. | Před rozrýváním trávu posekejte. |
| | Nůž je opotřebený nebo poškozený. | Vyměňte ho. |
| | Rozrývaný povrch přesahuje kapacitu stroje. | Rozrýváním provádějte pouze na povrchu, který vyhovuje kapacitě stroje. |
| | Hloubka rozrývání není správná. | Upravte hloubku nože. |

⚠ UPOZORNĚNÍ:

- Se strojem Makita popisovaným v tomto návodu se doporučuje používat následující příslušenství nebo doplňky. Použití jiného příslušenství nebo doplňků může představovat nebezpečí zranění osob. Příslušenství nebo doplňky používejte pouze pro jejich uvedené účely.
- Pokud budete potřebovat pomoc a více podrobností ohledně těchto příslušenství, obraťte se na místní servisní středisko Makita.

Existuje několik typů nožů:

- Rozrývací nůž - ostrá hrana nože rozrývá zem a řeže kořeny.
- Prohrabovací nůž (volitelné příslušenství) - odstraňuje trávník a listí jemnými jehlami.
- Víceúčelový nůž (2 v 1 - volitelné příslušenství) - prohrabování a rozrývání současně.

POZNÁMKA:

- Některé položky ze seznamu mohou být obsaženy v sadě nástrojů jako standardní příslušenství. Mohou se lišit země od země.

Pouze pro evropské země**EC prohlášení o shodě****Společnost Makita prohlašuje, že následující stroj(e):**

Označení stroje:

Elektrický kultivátor

Číslo modelu/Typ: UV3600

Splňují následující evropské směrnice:

2000/14/EC novelizovaná směrnicemi 2005/88/EC,

2006/42/EC, 2004/108/EC, 2011/65/EU

Jsou vyrobeny v souladu s následujícími normami nebo standardizovanými dokumenty:

EN60335, EN13684

Technický protokol odpovídající směrnici 2006/42/EC je k dispozici na adrese:

Makita, Jan-Baptist Vinkstraat 2, 3070, Belgie

Postup vyhodnocení shody požadovaný Směrnicí 2000/14/EC byl v souladu s dodatkem V.

Naměřená hladina akustického výkonu: 99,53 dB (A)

Zaručená hladina akustického výkonu: 104 dB (A)

21.11.2014



Yasushi Fukaya
Ředitel

Makita, Jan-Baptist Vinkstraat 2, 3070, Belgie

OPOZORILO: To napravo lahko uporabljajo otroci starejši od 8 let in osebe z zmanjšanimi fizičnimi, senzornimi ali psihičnimi sposobnostmi ali pomanjkanjem izkušenj ali znanja, če jih kdo nadzira oz. so prejeli in razumeli navodila o varni uporabi naprave in morebitne nevarnosti. Otroci se ne smejo igrati z napravo. Otroci brez nadzora ne smejo naprave čistiti ali vzdrževati.

OZNAKA DELOV (Slika. 1)

- | | | |
|--------------------------|---------------------------------|------------------------------|
| 1. Ročica za start/stop | 7. Ročica | 13. Rezalno orodje |
| 2. Gumb za odklepanje | 8. Sponka (x2) | 14. Vijak in vzmetno tesnilo |
| 3. Zgornja palica ročaja | 9. Lovilnik trave | 15. Ležaj |
| 4. Spodnja palica ročaja | 10. Odbojno varovalo | 16. Pogonska gred |
| 5. Razbremenitev vleka | 11. Gumb | |
| 6. Objemka ročaja | 12. Ročica za nastavitev višine | |

TEHNIČNI PODATKI

| | |
|---|---|
| Ime modela | UV3600 |
| Napetost | 230-240 V |
| Frekvenca | 50 Hz |
| Nazivna izhodna moč | 1800 W |
| Neto teža | 15,3 kg |
| Hitrost brez obremenitve | 3500 min ⁻¹ |
| Najv. širina rezanja | 360 mm |
| Območje delovne višine | 4 korakov (-10/-5/0/5 mm) |
| Prostornina lovilnika trave | 40 l |
| Razred zaščite | IPX4 |
| Raven zvočnega tlaka | 81,24 dB(A), K = 2,50 dB(A) |
| Raven zvočnega tlaka ob ušesu upravljavca | 85,5 dB(A), K = 2,50 dB(A) |
| Izmerjena raven zvočnega hrupa | 99,53 dB(A), K = 4,50 dB(A) |
| Zagotovljena raven zvočnega hrupa | 104 dB(A) |
| Vibracije | 4,673 m/s ² , K = 1,5 m/s ² |

SIMBOLI

V nadaljevanju so prikazani simboli, uporabljeni za stroj. Pred uporabo se prepričajte, da razumete njihov pomen.



• Preberite navodila za uporabo.



• Bodite zelo previdni in pozorni.



• Dvojna izolacija.



• Nosite zaščitne rokavice.



• Uporablajte trdne čevlje z nedrsljivim podplatom.



• Uporablajte zaščito za oči in sluh.



- Počakajte, da se vsi deli stroja povsem zaustavijo.



- Bodite pozorni na ostro rezalno orodje.



- Pred čiščenjem, vzdrževanjem ali če je električni kabel poškodovan izključite motor in električni vtič.



- Predmete lahko izvrže z veliko hitrostjo.



- Ohranjajte varnostno razdaljo med ostalimi osebami ali živalmi in delovnim območjem.



- Ne izpostavljajte dežju ali vlagi.



- Če je kabel poškodovan ali prerezan, ga takoj iztaknite iz vtičnice.



- Nevarnost električnega udara.



- Kabla ne približujte rezalnemu orodju ali kolesom.



- Samo za države EU
Odpadne električne opreme ne mečite med gospodinjske odpadke! Ob upoštevanju Evropske direktive o odpadni električni in elektronski opremi ter njeni uporabi v skladu z nacionalnimi zakoni je treba električna orodja po koncu njihove uporabne dobe zbirati ločeno in vrniti v obrat za recikliranje, ki je skladen z okolju prijaznimi zahtevami.

VARNOSTNA OPOZORILA

POZORNO PREBERITE PRED UPORABO PRIROČNIK SHRANITE ZA PRIHODNJO UPORABO



Stroja ne začnite uporabljati, dokler ne preberete teh navodil za uporabo. Upoštevajte vsa navodila in namestite stroj, kot je opisano.

Predvidena uporaba stroja

- Stroj je predvidena za rahljanje ali prezračevanje vrta.
- Rahljalnik je predviden samo za zasebno in ne za komercialno uporabo. Prav tako ga ni dovoljeno uporabljati na javnih mestih.

Za javne nizkonapetostne razdelilne sisteme med 220 V in 250 V.

Preklapljanje električne naprave povzroča napetostna nihanja. Uporaba naprave pri neugodnih električnih pogojih lahko negativno vpliva na delovanje druge opreme. Pri električni impedanci, manjši ali enaki 0,412 ohma, je mogoče predvideti, da ne bo negativnih učinkov. Električna vtičnica, uporabljena za to napravo, mora biti zaščiten z varovalko ali prekinjačem s počasnimi sprožilnimi karakteristikami.

Splošna navodila

- Preberite ta navodila za uporabo, da se seznanite z uporabo stroja. Če stroj uporablja uporabnik, ki ni zadostno seznanjen z njegovo uporabo, se poveča nevarnost požara, električnega udara ali telesnih poškodb za uporabnika in druge.
- Stroja ne posojajte ljudem, ki nimajo ustreznih izkušenj.
- Če stroj posodite, vselej priložite tudi navodila za uporabo.
- Stroja naj ne uporabljajo osebe z zmanjšanimi telesnimi, čutilnimi ali duševnimi sposobnostmi, kot tudi ne osebe s pomanjkljivimi izkušnjami in znanjem. Otrokom ne smete dovoliti igranja s strojem.
- S strojem naj delajo le osebe, ki so v dobri telesni pripravljenosti. Vsako delo opravljajte mirno in previdno. Uporabnik je odgovoren za varnost oseb in škodo na območju dela.

- Stroja nikoli ne uporabljajte, če ste uživali alkohol ali droge ali če ste utrujeni ali bolni.
- Delajte premore, da ne izgubite nadzora nad napravo zaradi utrujenosti. Priporočamo 10- do 20-minutne odmore na uro.
- Stroj uporabljajte v skladu s temi navodili, upoštevajoč delovne pogoje in napravo. Nepredvidena uporaba stroja lahko vodi do nevarne situacije.
- Nacionalni ali lokalni predpisi lahko omejujejo ravnanje s strojem.
- Bodite pozorni. Glejte, kaj počnete. Uporabljajte zdrav razum. Stroja ne uporabljajte, ko ste utrujeni.

Osebna zaščitna oprema

- Nosite primerna oblačila. Nosite delu primerno obleko, ki se dobro prilega telesu in vas ne ovira pri gibanju. Ne nosite nakita ali oblačil, ki bi se lahko zataknili v stroj. Nosite zaščitno pokrivalo za lase, če imate dolge lase.
- Vedno nosite zaščito za sluh, da preprečite poškodbe sluha.
- Nosite zaščitna očala ali naočnike, da zaščitite oči pred okrog letečimi predmeti in tujki.
- Nosite zaščitne rokavice, da preprečite poškodbo prstov.
- Nosite protiprašno masko, da zmanjšate nevarnost poškodb.
- Pri uporabi stroja vedno nosite trpežno obutev s protizdrsnim podplatom. Ti vas bodo zaščitili pred poškodbami in zagotovili dobro stabilnost.

- Med uporabo stroja vedno nosite primerno obutev in dolge hlače. Stroja ne uporabljajte, če ste boski ali imate obute odprte sandale.

Varnost na delovnem območju

- Otroci in vsi ostali, vključno z živalmi, naj se med uporabo ne približujejo stroju.
- Preglejte delovno območje, da ni nobenih kamnov, žic, stekla ali drugih tujkov. Tujki se lahko zagozdijo v stroj ali pa jih ta izvrže, kar lahko vodi do poškodb ali gmotne škode.
- Stroj uporabljajte pri dobri vidljivosti in samo podnevi. Stroja ne uporabljajte v mraku ali megli.
- Stroja ne uporabljajte v eksplozivnem okolju, kot na primer v prisotnosti vnetljivih tekočin, plinov ali prahu. Stroj ustvarja iskre, ki lahko vnamejo prah ali hlape.
- Stroja ne izpostavljajte dežju ali mokrim pogojem. Voda, ki prodre v stroj, poveča nevarnost električnega udara.

Zagon stroja

- Pred priklopom vtiča ali zagonom stroja:
 - preverite vtič in kabel, ali sta v dobrem stanju;
 - preverite vse vijake, matice in druge pritrdilne elemente, če so varno pritrjeni;

- preverite rezalno orodje, če je nameščeno in v dobrem delovnem stanju;
- preverite delovanje varoval in varnostnih naprav, kot so odbijači ali lovilnik trave;
- preverite, da prezračevalne odprtine niso zamašene zaradi prahu ali drugih tujkov. Če so zamašene, jih očistite z mehko krtačo ali krpo.
- zamenjajte poškodovane ali nečitljive nalepke;
- pozorno pregledajte vse dele stroja in preverite, ali pravilno delujejo in opravljajo svojo predvideno funkcijo; Stroja ne uporabljajte predvsem, če stikalo ne deluje pravilno.
- Prepričajte se, da je stikalo na strani, da preprečite nenamerni zagon;
- preverite, ali ste odstranili vse orodje za vzdrževanje, kot sta nastavitveni ključ ali matični ključ.
- Če je električni kabel poškodovan, za zamenjavo prosite pooblaščen servisni center Makita in vedno uporabljajte originalne nadomestne dele.
- Stroja nikoli ne uporabljajte, če je varnostna naprava, kot sta odbojno varovalo ali lovilnik trave, poškodovana ali manjka.
- Pri zagonu motorja:
 - Stopal ne približujte rezalnemu orodju.
 - Ne nagibajte stroja.
 - Ne stojte pred praznilno odprtino.

- Nikoli ne imejte rok ali drugega dela telesa ali oblačila v bližini premikajočih se delov.

Električna varnost

- Pred uporabo preverite, ali se priključni vtič na stroju prilega v vtičnico.
- Nikoli ne spreminjajte priključnega vtiča.
- Ne zlorablajte napajalnega kabla. Kabla nikoli ne uporabljajte za prenašanje ali vlečenje oz. za izklop stroja. Pazite, da ne pride v stik z vročino, oljem, ostrimi robovi ali premičnimi deli. Poškodovani ali zavozlani kabli povečujejo nevarnost električnega udara.
- Redno preverjajte podaljševalni kabel, če ima poškodovano izolacijo. Če je poškodovan, ga zamenjajte.
- Če je priključni kabel poškodovan, takoj izključite električni vtič. Poškodovani kabel lahko povzroči stik z živimi deli in električni udar.
- Nikoli ne uporabljajte poškodovanega kabla.
- Kabla in podaljševalnega kabla ne približujte rezalnemu orodju in kolesom. Rezalno orodje lahko poškoduje kabel in povzroči električni udar.
- Če stroj uporabljate na prostem, vedno uporabljajte prekinjač z napravo za zaščito pred okvarnim tokom (RCD) z obratovalnim tokom 30 mA ali manj.

- Uporabljajte samo podaljševalni kabel za zunanjo uporabo s priključkom, odpornim na brizge. Njegov presek mora biti najmanj 1,5 mm² za kable, dolge do 25 m, in 2,5 mm² za kable, dolge več kot 25 m.
- Stroj je dovoljeno priključiti samo na električno napajanje z enako napetostjo, kot je navedena na tipski ploščici, in vselej na enofazni izmenični tok. Stroj ima dvojno izolacijo v skladu z evropskim standardom in ga je zato mogoče priključiti tudi v vtičnice brez ozemljitvene žice.
- Izogibajte se telesnemu stiku z ozemljenimi površinami (npr. cevi, radiatorji, štedilniki in hladilniki).

Delovanje

- Izogibajte se uporabi na mokri travi. Še posebej bodite pozorni pri delu na mokri travi, da preprečite zdrsavanje.
- Med uporabo ročaj čvrsto držite z obema rokama. Ročaj naj bo suh in čist, da preprečite nesreče.
- Ne tecite. Med delom vedno hodite.
- Bodite posebej pozorni na stabilnost pri delu na klancu.
- Ne delajte po klancu naravnost navzgor in navzdol. Vedno delajte v vodoravni liniji.
- Bodite še posebej previdni pri obračanju na klancu.
- Nikoli ne delajte na ostrem klancu.

- Bodite izredno previdni, ko obračate ali vlečete stroj proti sebi.
 - Ne poskušajte seči predaleč. Vedno ohranjajte stabilen položaj nog in ravnotežje. Tako boste v nepredvidljivih situacijah imeli boljši nadzor nad strojem.
 - Vedno se zavedajte:
 - Stopal ne približujte rezalnemu orodju.
 - Ne nagibajte stroja.
 - Ne stojte pred praznilno odprtino.
 - Nikoli ne imejte rok ali drugega dela telesa ali oblačila v bližini premikajočih se delov.
 - Ne premikajte stroja na silo. Delo bo opravil bolje in varneje pri hitrosti, za katero je predviden. Pogosta preobremenitev lahko povzroči okvaro motorja in požar.
 - Izključite motor in izvalcite vtič:
 - vedno, ko pustite stroj brez nadzora.
 - preden odstranite blokado ali odpravite napako;
 - pred pregledom, čiščenjem ali delom na stroju;
 - pred kakršnimi koli prilagoditvami, zamenjavo dodatkov ali skladiščenjem;
 - ko stroj trči ob tujek. Počakajte, da se stroj ohladi. Preglejte stroj in po potrebi zamenjajte dele, preden nadaljujete z obratovanjem.
 - kadarkoli se stroj začne neobičajno tresti ali oglašati;
 - pri nameščanju ali odstranitvi lovilnika trave;
 - če kdo vstopi na delovno območje;
 - pri prečkanju drugih površin razen trave;
 - pri transportu.
 - Zaustavite rezalno orodje:
 - če morate nagniti stroj;
 - pri prečkanju drugih površin razen trave;
 - pri transportu stroja na oz. s površin za obdelavo.
 - Bodite pozorni na rezalno orodje. To se po izklopu namreč ne zaustavi takoj.
- ## Navodila za vzdrževanje
- Stroj naj vam servisira naš pooblaščen servisni center in vselej z uporabo originalnih nadomestnih delov. Nepravilna popravila in slabo vzdrževanje lahko skrajšajo življenjsko dobo stroja in povečajo tveganje nesreč.
 - Stroj redno pregledujte.
 - Pred servisiranjem, pregledom, nastavitvijo, skladiščenjem ali menjavo dodatne opreme postopajte kot sledi:
 - Izključite vir napajanja.
 - Odklopite stroj od električnega napajanja.
 - Prepričajte se, da so se vsi premikajoči se deli povsem zaustavili.
 - Počakajte, da se stroj ohladi.
 - Preglejte stroj, če je morda poškodovan:

- ali varnostne naprave pravilno delujejo v skladu z njihovim namenom;
 - ali premikajoči se deli delujejo enakomerno in brez zatikanja;
 - ali so vsi deli brezhibni in pravilno nameščeni;
 - preglejte rezalno orodje, če je poškodovano, obrabljeno ali neuravnovešeno;
 - redno preverjajte lovilnik trave, če je poškodovan ali obrabljen;
 - preverite vse matice, sornike in vijake, če so tesno priviti;
 - če so kateri deli poškodovani ali obrabljeni, naj vam jih zamenja ali popravi pooblaščen servisni center.
- Ne izvajajte drugih vzdrževalnih del ali popravil, razen teh, opisanih v teh navodilih za uporabo. Vsa ostala dela mora opraviti pooblaščen servisni center Makita.
 - Uporabljajte samo originalne nadomestne dele in dodatno opremo Makita, predvideno za vaš stroj. Sicer lahko pride do telesnih poškodb ali škode na stroju.
 - Stroj hranite v suhem prostoru. Hranite ga izven dosega otrok. Stroja nikoli ne skladiščite na prostem.

Vibracije

- Ljudje s slabo prekrvavitvijo, ki so izpostavljeni prekomernim vibracijam, lahko dobijo poškodbe krvnih žil ali živčnega sistema. Vibracije lahko povzročijo, da se v prstih, dlaneh ali zapestjih pojavijo naslednji simptomi: "zaspanje" (otopelost), mravljinca, bolečina, občutek zbadanja, sprememba barve kože ali kože. Če se pojavijo kateri od teh simptomov, pojdite k zdravniku.

- Za zmanjšanje nevarnosti "bolezni belih prstov" morate roke med delom ohranяти tople, opremo in dodatke pa dobro vzdržujte.

⚠ OPOZORILO:

- Ta stroj med delom proizvaja elektromagnetno polje. Priporočljivo je, da se osebe z medicinskimi vsadki pred uporabo stroja posvetujejo s svojimi zdravniki in proizvajalci vsadkov. Sicer lahko elektromagnetno polje vpliva na medicinske vsadke, kar lahko vodi do resnih poškodb.

SESTAVA

⚠ POZOR:

- Vedno se prepričajte, da je stroj izključen in izklopljen, preden začnete z delom na orodju.

Sestavljanje palice ročaja (Slika. 2, 3)

- 1) Z gumbi (11) pritrdite spodnjo palico ročaja (4) na stroj.
- 2) Namestite zgornjo palico ročaja (3) na spodnjo palico ročaja in ju nato povežite z dvema distančnikoma, matico in ročico (7).
- 3) Kabel s sponkami (8) pritrdite na palico ročaja.

Sestavljanje lovilnika trave

⚠ POZOR:

- Stroja ne uporabljajte brez lovilnika trave, sicer vas lahko izvrženi predmeti poškodujejo.
- Pri strojih z zadnjim izmetom in izpostavljenimi zadnjimi valji je treba uporabljati popolno zaščito za oči, če ne delate z lovilnikom trave.

OPOMBA:

- Zmogljivost stroja se zmanjša, ko je lovilnik trave poln. Lovilnik trave redno praznite, preden se povsem napolni.

Nameščanje lovilnika trave

Dvignite odbojno varovalo (10) in ga pridržite. Vstavite kavlje na lovilniku trave v utore na stroju.

Odstranjevanje lovilnika trave

Dvignite odbojno varovalo (10) in ga pridržite. Odstranite lovilnik trave tako, da sprostite kavlje iz utorov na stroju.

Razbremenitev vleka (Slika. 4)

Razbremenitev vleka (5) pomaga preprečiti, da bi se kabel zapletel v rezilo ali kolo.

Na koncu napajalnega kabla naredite majhno zanko in jo napeljite skozi odprtino razbremenitve vleka in jo nato obesite na kavelj.

Med delom bodite vedno pozorni na položaj kabla. Z delom začnite na najbližji točki do električnega napajanja, da preprečite, da bi kabel nehote prerezali. Priporočljivo je, da imate kabel med delom preko ramena.

Odstranjevanje ali nameščanje rezalnega orodja

⚠ **POZOR:**

- Nosite zaščitne rokavice.
- Pri ravnanju z rezalnim orodjem bodite zelo previdni. Je namreč zelo ostro in se lahko med delom močno segreje.
- Vedno uporabljajte ustrezno rezalno orodje, primerno za vaše delo.
- Pred začetkom dela zagotovite, da stavijaka, skaterimajerezalno orodje pritrjeno na stroj, čvrsto privita. Stroja ne uporabljajte, če sta vijaka zrahljana ali manjkata. Če sta poškodovana, ju takoj zamenjajte.

Odstranjevanje rezalnega orodja

- 1) Odstranite lovilnik trave (9).
- 2) Odstranite ročaj s stroja.
- 3) Stroj obrnite narobe na ravno površino.
- 4) Odvijte vijaka (14). Odstranite vijaka in vzmetni podložki.
- 5) Dvignite ležajni del rezalnega orodja (15) in nato rezalno orodje (13) izvlecite iz pogonske gredi (16).

Nameščanje rezalnega orodja

- 1) Vstavite rezalno orodje tako, da vstavite njegov del s šestrobo matico v jamico v pogonski gredi.
- 2) Pritrdite ležajni del na stroj z vijaki in vzmetnimi podložkami.

OPIS FUNKCIJ

⚠ **OPOZORILO:**

- Pred priklopom stroja se vedno prepričajte, da je stroj izključen. Če stroj priključite, ko je stikalo

vključeno, lahko pride do nepričakovanega zagona, kar lahko vodi do resnih telesnih poškodb.

- Stroja nikoli ne uporabljajte, če je njegov električni kabel poškodovan, sicer lahko pride do električnega udara.
- Ne uporabljajte stroja, na katerem ne deluje stikalo za vklop in izklop. Pokvarjena stikala naj vam zamenja pooblaščen servisni center Makita.

Ročica za start/stop

Za zagon stroja pritisnite in zadržite odklepni gumb (2), nato pa do konca izvlecite ročico za start/stop (1) in jo zadržite. Ko povlečete ročico za start/stop, vam ni treba več držati odklepnega gumba.

Za zaustavitev stroja preprosto izpustite ročico za start/stop.

Nastavitev nagiba ročaja

Spremenite lahko kot zgornje palice ročaja.

- 1) Odklenite sponke ročaja (6).
- 2) Prilagodite nagib zgornje palice ročaja (3).
- 3) Zaprite objemke ročaja.

Nastavitev višine

Glede na pogoje trave je treba prilagoditi višino rezalnega orodja.

V spodnji tabeli so navedene približne vrednosti za nastavitve globine.

| Višina | Uporaba | |
|--------|--|--|
| | Rahljanje | Prezračevanje (dodatna oprema) |
| +5 mm | Za transport in skladiščenje. Rahljanje občutljive trate. Odstranjevanje tankih slojev. Drugo rahljanje jeseni. | Za transport in skladiščenje. Prezračevanje običajne trate. |
| 0 mm | Rahljanje običajne trate. Odstranjevanje običajnega sloja. | Prezračevanje trde, goste trate. |
| -5 mm | Rahljanje običajne trate. Odstranjevanje gostega sloja. | NE uporabljati za prezračevanje. |
| -10 mm | Rahljanje trde, goste trate. Odstranjevanje gostega sloja. | NE uporabljati za prezračevanje. |

Spreminjanje višine

Potisnite ročico za nastavitev višine (12) navzven in na želeni položaj.

Preobremenitvena zaščita

Ta stroj je opremljen s preobremenitveno zaščito, ki deluje v naslednjih situacijah:

- Rezalno orodje se zamaši, zaradi nakopičenega materiala okoli njega.
- Stroj poskuša zrahljati več, kot lahko prenese motor.
- Nekaj ovira vrtenje rezalnega orodja.

Ko ta zaščita deluje, se stroj samodejno izključi.

V tem primeru izključite stroj iz električnega omrežja, počakajte, da se ohladi, in nato odstranite vzrok preobremenitve, preden ga znova zaženete.

DELOVANJE

Napotki za delovanje:

- Preden začete delo travo pokosite, nato pa jo pognojite.
- Prilagodite globino rezalnega orodja glede na višino trave in vreme.
- Ne uporabljajte na mokri travi. Ta se namreč prilepi za izmetalno odprtino in druge dele stroja. Prav tako vam lahko na njej zdrsne in padete.
- Ne hodite prehitro. Stroj potiskajte počasi, sicer se lahko izmetalna odprtina zamaši in motor se lahko preobremeni.
- Poskusite delati v čim bolj ravni liniji.
- Linije naj se malce prekrivajo. Tako bo površina enakomerna in gladka.
- Če je na delovnem območju cvetlična greda, okoli nje naredite krog ali dva.
- Še posebej bodite previdni pri obračanju stroja.
- Ne stojte na enem mestu. To poškoduje travo.

Napotki za rahljanje:

- Vedno upoštevajte vreme. Toplo, sončno in mokro vreme je dobro za prezračevanje, ker se lahko trata obnovi. Neprimerno pa je hladno, vroče in suho vreme.
- Trato rahlajte spomladi.
- Če je poletje mokro, jo zrahljajte zgodaj jeseni.
- Trate ne rahlajte, ko je zelo vroče.
- Če je poletje zelo suho, trate ne rahlajte jeseni.

Napotki za prezračevanje:

- Območje okoli korenin trate potrebuje veliko zraka, da je zagotovljena zdrava rast trate spomladi.
- Priporočljivo je, da trato prezračite vsake 4 – 6 tednov glede na stanje trate.

VZDRŽEVANJE

⚠ POZOR:

- Vedno se prepričajte, da je stroj izključen in izklopljen iz električnega omrežja, preden začnete s pregledom ali vzdrževanjem.

- Pred začetkom pregleda in vzdrževanja si nadenite zaščitne rokavice.
- Rezilo se po izklopu ne zaustavi takoj. Pred začetkom vzdrževanja počakajte, da se vsi deli zaustavijo.
- Po vzdrževanju vselej odstranite vso orodje.
- Za čiščenje nikoli ne uporabljajte bencina, razredčila, alkohola ipd. Pojavijo se lahko razbarvanja, deformacije ali razpoke. Za čiščenje stroja uporabljajte samo vlažno krpo in mehko krtačo.
- Stroja ne spirajte ali čistite z visokotlačno vodo.

Pri transportu stroja bodite pozorni na naslednje točke:

- Izključite motor, izklopite stroj iz električnega omrežja in počakajte, da se rezalno orodje zaustavi.
- Prilagodite globino rezalnega orodja na transportno višino.
- Stroj vedno transportirajte za ročaj.
- Preprečite močne udarce ali vibracije.
- Stroj čvrsto pritrdite, če ga prevažate na vozilih.

Po vsaki uporabi izvedite naslednje korake:

- Izključite motor, izklopite stroj iz električnega omrežja in počakajte, da se rezalno orodje zaustavi.
- Očistite lovnik trave. Stroj shranite v suh prostor.
- Stroj pregledajte, očistite in ga spravite v suh prostor.

Naslednje delo izvajajte redno:

- Preverite vse objemke, vijake, matice itd., če so trdno pritrjeni.
- Preverite, če obstajajo napake, kot so zrahljani, obrabljeni ali poškodovani deli. Po potrebi jih zamenjajte.
- Preverite, da pokrovi in varovala niso poškodovani ali deformirani.
- Če se stroj med delom začne neobičajno tresti, je lahko vzrok neuravnoteženo ali deformirano rezalno orodje, kar je posledica udarcev ob tujke. V tem primeru naj vam rezalno orodje popravi ali zamenja pooblaščen servisni center.
- Rezalno orodje se s časom obrabi. Redno preverjajte stanje rezalnega orodja in njegovo stabilnost. Zamenjajte ga, če se obrabi ali postane topo.
- Preden stroj spravite, očistite in namažite vse vijačne dele.

ODPRAVLJANJE TEŽAV

OPOZORILO: Preden začnete odpravljati težave, izključite stroj, izvlecite električni vtič in počakajte, da se stroj povsem zaustavi.

| Težava | Možen vzrok | Ukrep |
|--------------------------------------|--|---|
| Stroj se ne zažene. | Električni vtič ni vtaknjen. | Povežite električno napajanje. |
| | Poškodovan napajalni kabel. | Takoj ga izklopite. Za popravilo se obrnite na pooblaščen servisni center Makita. |
| | Okvara električnega krogotoka. | Za popravilo se obrnite na pooblaščen servisni center Makita. |
| | Odklepní gumb ni pritisnjen. | Pritisnite odklepní gumb in povlecite ročico za start/stop. |
| Iz stroja je slišati pokanje. | Tujki so se zataknilí v rezalno orodje. | Izključite motor, izklopite stroj iz električnega omrežja in počakajte, da se rezalno orodje zaustavi. Nato odstranite tujek. |
| Iz stroja je slišati nenavaden zvok. | Pokvarjen pogonski jermen | Za popravilo se obrnite na pooblaščen servisni center Makita. |
| Stroj ne doseže svoje največje moči. | Napajalni vir ima nižjo napetost, kot je potrebna. | Poskusite z drugim napajalnim virom. Preverite, ali je uporabljen ustrezen napajalni vir. |
| | Prezračevalne odprtine so zamašene. | Očistite prezračevalne odprtine. |
| Slabi rezultat. | Traja je predolga. | Pred rahljanjem pokosite travo. |
| | Rezalno orodje je obrabljeno ali poškodovano. | Zamenjajte ga. |
| | Zrahljana površina presega kapaciteto stroja. | Rahljajte samo površino v skladu s kapaciteto stroja. |
| | Globina rahljanja ni pravilna. | Prilagodite globino rezalnega orodja. |

DODATNA OPREMA

POZOR:

- Ti dodatki ali priključki so priporočeni za uporabo z orodjem Makita, specificiranim v tem priročniku. Uporaba drugih dodatkov ali priključkov lahko predstavlja tveganje za telesne poškodbe. Dodatke ali priključke uporabljajte samo v skladu z njihovim namenom.
- Če potrebujete pomoč in več podrobnosti glede teh dodatkov, se posvetujte s svojim lokalnim servisnim centrom Makita.

Obstaja več vrst rezalnih orodij:

- rezilo za rahljanje - ostri rob rezila rahlja tla in reže korenine.
- rezilo za prezračevanje (dodatna oprema) - odstranjevanje trate in listov s tankimi iglami.
- rezilo 2 v 1 (dodatna oprema) - hkratno rahljanje in prezračevanje.

OPOMIN:

- Nekateri elementi na seznamu so lahko serijsko priloženi orodju. Lahko se razlikujejo od države do države.

Samo za evropske države

ES-izjava o skladnosti

Podjetje Makita izjavlja, da je/so naslednji stroj(i):

Oznaka stroja:

Električni rahljalnik

Št. modela/tip: UV3600

v skladu z naslednjimi evropskimi Direktivami:

2000/14/ES dopolnjena z 2005/88/ES, 2006/42/ES,
2004/108/ES, 2011/65/EU

Izdelani so v skladu z naslednjimi standardi in

standardiziranimi dokumenti:

EN60335, EN13684

Tehnična datoteka v skladu z 2006/42/ES je na voljo pri:

Makita, Jan-Baptist Vinkstraat 2, 3070, Belgija

Postopek ocene skladnosti, ki ga zahteva Direktiva

2000/14/ES, je bil izveden v skladu s Prilogo V.

Izmerjena raven zvočnega hrupa: 99,53 dB(A)

Zagotovljena raven zvočnega hrupa: 104 dB(A)

21.11.2014



Yasushi Fukaya

Direktor

Makita, Jan-Baptist Vinkstraat 2, 3070, Belgija

PARALAJMËRIM: Kjo pajisje mund të përdoret nga fëmijët e moshës 8 vjeç e sipër, si dhe nga personat me aftësi fizike, shqisore ose mendore të kufizuara apo të cilëve u mungon eksperiencia dhe njohuria nëse kanë mbikëqyrje ose udhëzime për përdorim të sigurt të pajisjes dhe i kuptojnë rreziqet e lidhura me përdorimin. Fëmijët nuk duhet të luajnë me pajisjen. Pastrimi i saj dhe mirëmbajtja nga përdoruesi nuk duhet të kryhen nga fëmijët pa mbikëqyrje.

PËRCAKTIMI I PJESËVE (Fig. 1)

- | | | |
|-----------------------------------|------------------------------------|---------------------------------|
| 1. Leva ndezëse/ndaluese | 7. Leva | 13. Mjeti prerës |
| 2. Butoni bllokues | 8. Kapëse (x2) | 14. Buloni dhe larësi i sustave |
| 3. Shufra e sipërme e dorezës | 9. Grumbullues bari | 15. Kushineta |
| 4. Shufra e poshtme e dorezës | 10. Deflektor mbrojtës | 16. Boshti udhëzues |
| 5. Lirues i tensionit të kordonit | 11. Rrotëz | |
| 6. Shtrënguesja e dorezës | 12. Leva e ndryshimit të lartësisë | |

TË DHËNAT TEKNIKE

| | |
|---|--|
| Emri i modelit | UV3600 |
| Tensioni | 230-240 V |
| Frekuenca | 50 Hz |
| Rryma nominale në hyrje | 1800 W |
| Pesha neto | 15,3 kg |
| S'ka shpejtësi ngarkese | 3500 min ⁻¹ |
| Gjerësia maksimale e prerjes | 360 mm |
| Largësia e punës | 4 hapa (-10/-5/0/5 mm) |
| Vëllimi i grumbulluesit të barit | 40 L |
| Klasa e mbrojtjes | IPX4 |
| Niveli i presionit të zhurmës | 81,24 dB(A), K= 2,50 dB(A) |
| Niveli i presionit të zhurmës në veshin e përdoruesit | 85,5 dB(A), K= 2,50 dB(A) |
| Niveli i matur i fuqisë së zhurmës | 99,53 dB(A), K= 4,50 dB(A) |
| Niveli i garantuar i fuqisë së zhurmës | 104 dB(A) |
| Dridhjet | 4,673 m/s ² , K= 1,5 m/s ² |

SIMBOLET

Më poshtë jepen simbolet e përdorura për makinerinë. Sigurohuni që t'i kuptoni para përdorimit.



• Lexoni manualin e udhëzimeve.



• Bëni kujdes dhe kini vëmendje të veçantë.



• Me izolim të dyfishtë.



• Mbani doreza mbrojtëse.



• Mbani çizme të forta me sholla kundër rrëshqitjes.



- Mbani mbrojtëse për sytë dhe veshët.



- Prisni derisa të gjitha pjesët e makinerisë të ndalojnë plotësisht.



- Kushtojini vëmendje mjeteve prerëse të mprehta.



- Fikni motorin dhe hiqeni nga priza para se ta pastroni ose mirëmbani apo nëse kabloja e rrymës është dëmtuar.



- Objektet mund të flaken me shpejtësi të lartë.



- Mbani distancë të sigurt nga kalimtarët ose kafshët shtëpiake në zonën e punës.



- Mos e ekspozoni në kohë me shi ose lagështirë.



- Hiqeni menjëherë nga priza e rrymës elektrike nëse dëmtohet ose pritët kabloja ushqyese.



- Rrezik goditjeje elektrike.



- Mbajeni kordonin larg nga mjetet prerëse ose rrotat.



- Vetëm për shtetet e BE-së

Mos flakni pajisjet elektrike bashkë me mbeturinat shtëpiake!

Në pajtim me Direktivën Evropiane mbi Mbeturinat Elektrike dhe Elektronike dhe zbatimin të saj në përputhje me ligjin kombëtar, pajisjet elektrike që janë në fund të jetëgjatësisë së përdorimit duhet të mblidhen veçmas dhe të dërgohen në një fabrikë riciklimi në pajtim me rregullat mjedisore.

PARALAJMËRIME SIGURIE

LEXONI ME KUJDES PARA PËRDORIMIT TË RUHET MANUALI I UDHËZIMEVE PËR REFERIM NË TË ARDHMEN



Mos filloni përdorimin e makinerisë derisa të keni lexuar këto udhëzime përdorimi. Zbatoni të gjitha udhëzimet e dhëna dhe instalojeni makinerinë sipas udhëzimeve.

Përdorimi i synuar i makinerisë

- Kjo makineri përdoret për shkriçimin ose krehjen e barishteve nëpër kopshte.

- Shkriftuesi synohet vetëm për përdorim privat dhe jo për përdorim tregtar. Të mos përdoret në ambiente publike.

Për sisteme publike me tension të ulët ndërmjet 220 V dhe 250 V.

Ndërrimi i përdorimit të aparateve elektrike shkakton luhatje tensioni. Përdorimi i kësaj pajisjeje në kushte të pafavorshme të rrymës elektrike nga rrjeti mund të ketë efekte negative për funksionimin e pajisjeve të tjera. Me një rezistencë të plotë nga rrjeti të barabartë ose më të ulët se 0,412 Ohms mund të supozohet se nuk do të ketë efekte negative. Priza e rrjetit elektrik të pajisjes duhet të mbrohet me siguresë ose me çelës mbrojtës me karakteristika të ulëta për qark të shkurtër.

Udhëzime të përgjithshme

- Të lexohet ky manual udhëzimi për familjarizimin me përdorimin e makinerisë. Përdorimi i makinerisë nga përdoruesit e painformuar mjaftueshëm rrit rrezikshmërinë e zjarrendejes, goditjes elektrike apo lëndimit të vetvetes si dhe të tjerëve.
- Të mos huazohet makineria te personat që kanë treguar se nuk kanë eksperiencë.
- Kur ia huazoni makinerinë dikujt, gjithmonë jepni edhe këtë manual udhëzimi.

- Makineria nuk synohet të përdoret nga personat me aftësi fizike, ndijore ose mendore të kufizuara apo me mungesë eksperience dhe njohurish. Fëmijët e mitur duhet të mbikëqyren për të siguruar se nuk luajnë me makinerinë.
- Përdoren vetëm nëse jeni në gjendje fizike të mirë. Kryeni punë në mënyrë të qetë dhe me kujdes. Përdoruesi është përgjegjës për sigurinë e personave dhe dëmtimet në zonën e përdorimit.
- Kurrë të mos përdoret kjo makineri pas konsumit të alkoolit ose lëndëve narkotike apo nëse ndiheni të lodhur ose të sëmurë.
- Bëni pushim për të parandaluar humbjen e kontrollit nga lodhja. Rekomandohet pushimi nga 10 deri 20 minuta në çdo orë.
- Të përdoret makineria në pajtim me këto udhëzime, duke konsideruar kushtet dhe zbatimin e punës. Përdorimi i pasynuar i makinerisë mund të shkaktojë gjendje të rrezikshme.
- Rregulloret kombëtare ose vendore mund të kufizojnë përdorimin e makinerisë.
- Jini vigjilent. Shikoni çfarë bëni. Përdorni logjikën. Mos e përdorni makinerinë kur jeni të lodhur.

Pajimet mbrojtëse personale

- Vishuni përkatësisht. Veshjet duhet të jenë funksionale dhe të përshtatshme, d.m.th. duhet të jenë të puthitura por të mos ju pengojnë. Mos mbani bizhuteri ose veshje që mund të ngecin në makineri. Mbani kapëse flokësh për të mbledhur flokët e gjatë.
- Gjithmonë mbani mbrojtëse veshësh për të parandaluar humbjen e dëgjimit.
- Mbani syze mbrojtëse ose maskë për të mbrojtur sytë nga objektet dhe sendet fluturuese.
- Mbani doreza mbrojtëse për të parandaluar lëndimin e gishtave.
- Mbani maskë pluhuri për të pakësuar rrezikun e lëndimit.
- Kur përdorni makinerinë, gjithmonë mbani këpucë të forta me shollë jo-rrëshqitëse. Kjo ju mbron nga lëndimet dhe siguron bazament të mirë.
- Kur përdorni makinerinë, gjithmonë mbani këpucë të mira dhe pantallona të gjata. Mos e përdorni makinerinë nëse jeni zbathur ose me sandale të hapura.

Siguria në vendin e punës

- Gjatë përdorimit të makinerisë punoni larg nga fëmijët dhe kalimtarët, si dhe kafshët.
- Kontrolloni vendin e punës që të mos ketë gurë, tela, xhama ose sende të huaja. Sendet e huaja mund të thithen ose vërviten nga makineria, duke shkaktuar dëme ose lëndime.

- Të përdoret makineria vetëm në kushte kur ka dukshmëri dhe dritë të mirë. Të mos përdoret makineria në errësirë ose mjegull.
- Të mos përdoret makineria në atmosferë shpërthyes, si në prani të lëngjeve, gazrave ose pluhurit të ndezshëm. Makineria krijon shkëndija që mund të ndezin pluhurin ose avujt.
- Të mos ekspozohet makineria në kohë me reshje ose lagështirë. Uji që hyn në makineri mund të rrisë rrezikun e goditjes elektrike.

Ndezja e makinerisë

- Para lidhjes së prizës ose ndezjes së makinerisë:
 - Kontrolloni prizën dhe kordonin dhe konfirmoni që të jenë në kushte të mira.
 - Kontrolloni të gjitha vidhat, dadot dhe mbërthyesit që të jenë siguruar përkatësisht.
 - Kontrolloni që mjetet prerëse të jenë në vend dhe në gjendje të mirë pune.
 - Kontrolloni që mbrojtëset dhe pajisjet e sigurisë si deflektorët ose grumbulluesit e barit, të funksionojnë mirë.
 - Kontrolloni që daljet e ajrimit të mos mbulohen me pluhur ose materiale të tjera të huaja. Pastrojini me një furçë të butë ose leckë nëse bllokohen.

- Zëvendësoni etiketat e dëmtuara ose të palexueshme.
- Kontrolloni të gjitha pjesët e makinerisë me kujdes për të përcaktuar nëse funksionojnë dhe kryejnë funksionet saktësisht. Në mënyrë të veçantë, kurrë të mos përdoret makineria nëse çelësi nuk funksionon normalisht.
- Sigurohuni që çelësi të jetë i fikur për të parandaluar ndezjen e paqëllimshme.
- Kontrolloni që të gjitha mjetet e mirëmbajtjes, si çelësa rregullues të jenë hequr.
- Nëse kordoni ushqyes dëmtohet, kërkoni të zëvendësohet nga qendra e autorizuar e shërbimit të Makita, gjithmonë përdorni pjesë këmbimi origjinale.
- Kurrë mos e përdorni makinerinë nëse pajisja e sigurisë, si deflektori mbrojtës ose grumbulluesi i barit janë dëmtuar ose mungojnë.
- Kur ndizni motorin:
 - Mbani këmbët larg nga mjetet prerëse.
 - Mos e anoni makinerinë.
 - Mos qëndroni përpara grykës së shkarkimit.
 - Kurrë mos vendosni duart ose pjesë të tjera të trupit tuaj apo veshje pranë pjesëve lëvizëse.
- Kurrë mos e modifikoni prizën bashkuese.
- Mos e keqpërdorni kordonin. Kurrë mos e përdorni kordonin për të mbajtur, tërhequr ose hequr makinerinë nga priza. Mbajeni kordonin larg nga nxehtësia, cepat e mprehtë apo pjesët e lëvizshme. Kordonët e dëmtuar ose të ngecur rrisin rrezikun e goditjes elektrike.
- Kontrolloni rregullisht kabllon zgjatuese për dëmtim të izolimit. Zëvendësojeni nëse dëmtohet.
- Nëse dëmtohet kabloja bashkuese, stakojeni menjëherë nga rrjeti i rrymës elektrike. Kabloja e dëmtuar mund të krijojë kontakt nga pjesët e zhveshura dhe goditje elektrike.
- Kurrë mos përdorni kordon të dëmtuar.
- Mbajeni kordonin dhe kabllon zgjatuese larg nga mjetet prerëse dhe rrotat. Mjetet prerëse mund ta dëmtojnë kabllon dhe të shkaktojnë goditje elektrike.
- Kur përdorni makinerinë në ambiente të jashtme, gjithmonë përdorni një çelës stakimi të qarkut (RCD) me një rrymë funksionale jo më shumë se 30 mA.
- Përdoreni kabllon zgjatues në ambiente të jashtme me një bashkues rezistent nga spërkatjet. Seksioni i kryqëzuar duhet të jetë të paktën 1,5 mm² për gjatësi kabloje deri në 25 m dhe 2,5 mm² për kablo me gjatësi 25 m.

Siguria ndaj elektricitetit

- Kontrolloni që fisha lidhëse e makinerisë të futet në prizë para përdorimit.

- Makinaria duhet të lidhet vetëm me një ushqyes rryme me tension të barabartë me atë të treguar në pllakëz dhe mund të përdoret vetëm me ushqyes rryme AC njëfazor. Ato kanë izolim të dyfishtë në pajtim me Standardin Evropian dhe, si rrjedhim, mund të përdoren nga prizat pa tokëzim.
- Shmangni kontaktin trupor me sipërfaqet që prekin tokën ose me tokëzim (p.sh. tubacionet, radiatorët, sobat, frigoriferët).
- Mos u zgjatni tepër. Mbani bazament të fortë dhe balancë gjatë gjithë kohës. Kjo ju jep kontroll më të mirë të makinerisë në situata të papranueshme.
- Gjithmonë mbani mend:
 - Mbani këmbët larg nga mjetet prerëse.
 - Mos e anoni makinërinë.
 - Mos qëndroni përpara grykës së shkarkimit.
 - Kurrë mos vendosni duart ose pjesë të tjera të trupit tuaj apo veshje pranë pjesëve lëvizëse.

Përdorimi

- Të mos përdoret mbi bar të njomë. Kini kujdes të veçantë kur punoni mbi bar të njomë që të mos rrëshqisni.
- Të mbahet doreza fort me të dyja duart gjatë përdorimit. Të mbahet doreza e thatë dhe e pastër për të parandaluar aksidentet.
- Mos vraponi. Vetëm ecni gjatë përdorimit.
- Kushtojini vëmendje të veçantë bazamentit kur punoni në pjerrësi.
- Mos punoni drejt lart ose poshtë në pjerrësi. Gjithmonë punoni në drejtim horizontal.
- Kini veçanërisht kujdes kur ktheni makinërinë në pjerrësi.
- Kurrë mos punoni në pjerrësi të madhe.
- Kini veçanërisht kujdes kur ktheheni mbrapsht ose kur tërhiqni makinërinë drejt jush.
- Mos e sforconi makinërinë. E bën punën më mirë dhe me më shumë siguri në ritmin e përcaktuar. Mbingarkesa e shpeshtë mund të shkaktojë dëmtim ose zjarr në motor.
- Fikni motorin dhe hiqeni nga prizat:
 - Kurdoherë që e lini makinërinë pa mbikëqyrje
 - Para se të pastroni ndonjë bllokim ose ndreqni ndonjë avari
 - Para se të kontrolloni, pastroni ose punoni në makinëri
 - Para se të bëni rregullime, ndryshoni pjesët shtesë ose magazinoni
 - Kur makinëria godet një send të jashtëm. Prisni derisa makinëria të ftohet. Kontrolloni makinërinë dhe ndërroni pjesët nëse nevojitet para se të vazhdoni përdorimin

- Kurdoherë që makineria fillon të dridhet ose bëjë zhurma të pazakonta
 - Kur bashkoni ose hiqni grumbulluesin e barit
 - Kur dikush futet në zonën tuaj të punës
 - Kur kaloni mbi sipërfaqe me përbërje të ndryshme nga bari
 - Kur e transportoni.
 - Ndalonit mjetin prerës:
 - Nëse duhet të anoni makinerinë
 - Kur kaloni mbi sipërfaqe me përbërje të ndryshme nga bari
 - Ku transportoni makinerinë nga njëra sipërfaqe pune te tjetra.
 - Kushtojini vëmendje mjeteve prerëse. Ato nuk ndalojnë menjëherë pas fikjes.
- ### Udhëzimet e mirëmbajtjes
- Bëni shërbim të makinerisë vetëm nga qendra jonë e autorizuar e shërbimit, gjithmonë duke përdorur pjesë këmbimi origjinale. Riparimi i gabuar dhe mirëmbajtja e pasaktë mund të shkurtojë jetëgjatësinë e përdorimit të makinerisë dhe rrisë rrezikun për aksidente.
 - Kontrolloni makinerinë në mënyrë të rregullt.
 - Para shërbimit, kontrollimit, rregullimit, magazinimit ose ndërrimit të një pjese shtesë, ndërmerri hapat në vijim:
 - Fikni burimin e rrymës elektrike
 - Stakoni makinerinë nga ushqyesi i rrymës elektrike
 - Sigurohuni që të gjitha pjesët lëvizëse të kenë ndaluar plotësisht
 - Jepini kohë makinerisë për tu ftohur.
 - Kontrolloni makinerinë për dëmtime të mundshme:
 - Që të gjitha pajisjet e sigurisë të funksionojnë përkatësisht në funksionet e synuara
 - Që të gjitha pjesët lëvizëse të funksionojnë butësisht dhe si duhet
 - Që të gjitha pjesët të mos dëmtohen dhe instalohen si duhet
 - Kontrolloni mjetin prerës për dëmtime, konsumim ose çekuilibrim
 - Kontrolloni rregullisht grumbulluesin e barit për dëmtim ose konsumim
 - Kontrolloni që të gjitha dadot, bulonat dhe vidhat të jenë të shtrënguara
 - Zëvendësoni ose riparoni nga qendra jonë e autorizuar e shërbimit nëse ka pjesë të dëmtuara ose konsumuara.
 - Mos kryeni punime mirëmbajtjeje ose riparimi të ndryshme nga ato që përshkruhen në këtë manual udhëzimi. Të gjitha punimet e tjera duhet të kryhen nga qendra e autorizuar e shërbimit të Makita.

- Përdorni vetëm pjesë ndërrimi dhe pajisje shtesë të Makita për llojin e makinerisë tuaj. Në të kundërt mund të shkaktojë lëndim ose dëmtim personal të makinerisë.
- Të ruhet makineria në një dhomë të thatë. Të mbahet larg nga fëmijët. Kurrë mos e magazinoni makinerinë në ambiente të jashtme.

Dridhjet

- Personat me qarkullim gjaku të dobët që ekspozohen ndaj dridhjeve të tepërta mund të pësojnë lëndim të enëve të gjakut ose sistemit nervor. Dridhjet mund të shkaktojnë simptomat vijuese në gishtat, duart ose kyçet tona: “Gjendje gjumi” (mpirje), therje, dhimbje, ndjesi sëmbimi, ndryshim të ngjyrës së lëkurës. Nëse ndodhin ndonjë nga këto simptoma, vizitohuni nga një mjek.
- Për të pakësuar rrezikun e “sëmundjes së gishtave të bardhë”, mbajini duart të ngrohta gjatë përdorimit dhe mirëmbani pajisjet dhe pjesët shtesë.

⚠ PARALAJMËRIM:

- Kjo makineri prodhon një fushë elektromagnetike gjatë funksionimit. Rekomandohet që personat me transplante mjekësore të konsultohen me doktorët e tyre dhe prodhuesit e transplantit para përdorimit të kësaj makinerie. Në të kundërt, fusha elektromagnetike mund të ndikojë transplantet mjekësore dhe të shkaktojë lëndim të rëndë.

MONTIMI

⚠ KUJDES:

- Gjithmonë sigurohuni se makineria është fikur dhe stakuar nga rryma elektrike para se të kryeni punime në mjet.

Montimi i shufrës së dorezës (Fig. 2, 3)

- 1) Shtrëngoni shufrën e poshtme të dorezës (4) me makinerinë me rotëza (11).

2) Vendosni shufrën e sipërme të dorezës (3) në shufrën e poshtme të dorezës dhe pastaj shtrëngojini me dy ndarëse, dado dhe levë (7).

3) Shtrëngoni kordonin me kapëse (8) në shufrën e dorezës.

Montimi i grumbulluesit të barit

⚠ KUJDES:

- Mos e përdorni makinerinë pa grumbulluesin e barit. Në të kundërt sendet e flakura mund të shkaktojnë lëndim.
- Për funksione shkarkuese të pasme me rula të ekspozuar të pasëm, kur përdoret pa grumbullues, duhen mbajtur syze mbrojtëse të plota.

SHËNIM:

- Performanca e makinerisë ulet kur grumbulluesi i barit është plot. Boshatisni grumbulluesin e barit rregullisht para se të mbushet plot.

Instalimi i grumbulluesit të barit

Tërhiqni deflektorin mbrojtës (10) dhe mbajeni. Fusi çengelë në grumbulluesin e barit në brazdat e makinerisë.

Heqja e grumbulluesit të barit

Tërhiqni deflektorin mbrojtës (10) dhe mbajeni. Hiqni grumbulluesin e barit duke lëshuar çengelat nga brazdat e makinerisë.

Lirues i tensionit të kordonit (Fig. 4)

Liruesi i tensionit të kordonit (5) ndihmon në parandalimin e ngecjes së kordonit në teh ose rrrotë.

Bëni një lak të vogël në fund të rrymës dhe kalojeni përmes hapjes së liruesit të tensionit të kordonit dhe pastaj vareni në çengel.

Gjithmonë kini parasysht pozicionin e kordonit gjatë përdorimit. Filloni përdorimin nga pika më e afërt me ushqyesin e rrymës elektrike për të parandaluar prerjen aksidentale të kordonit. Rekomandohet të mbani kordonin mbi supin tuaj gjatë përdorimit.

Heqja ose instalimi i mjetit prerës

⚠ KUJDES:

- Mbani doreza mbrojtëse.
- Kini kujdes të veçantë kur përdorni mjetin prerës. Është shumë i mprehtë dhe mund të nxehet gjatë përdorimit.
- Gjithmonë përdorni mjetin prerës sipas nevojës së punës tuaj.

- Para përdorimit sigurohuni se dy bulonat, të cilat e mbajnë mjetin prerës në makineri, të jenë shtrënguar fort. Mos e përdorni makinerinë nëse ato janë të liruara ose mungojnë. Nëse janë të dëmtuara, zëvendësojini menjëherë.

Heqja e mjetit prerës

- 1) Heqja e grumbulluesit të barit (9).
- 2) Hiqni dorezën nga makineria.
- 3) Vendosni makinerinë kokëposhtë mbi një sipërfaqe të sheshtë.
- 4) Lironi dy bulonat (14). Hiqini ato dhe larësin e sustave.
- 5) Ngrini pjesën e kushinetës së mjetit prerës (15) dhe pastaj tërhiqni mjetin prerës (13) nga boshti udhëzues (16).

Instalimi i mjetit prerës

- 1) Futeni mjetin prerës duke rrëshqitur dadon gjashhtëkëndore në folenë e boshtit drejtues.
- 2) Shtrëngoni pjesën e kushinetës në makineri me bulona dhe larësit e sustës.

PËRSHKRIMI FUNKSIONAL

⚠ PARALAJMËRIM:

- Para se të fusni në prizë makinerinë, gjithmonë sigurohuni se makineria është e fikur. Futja e makinerisë në prizë me çelësin e ndezur mund të shkaktojë ndezje të papritur që çon në lëndim personal të rëndë.
- Kurrë mos e përdorni makinerinë nëse kabllaja e rrymës elektrike është dëmtuar. Në të kundërt mund të shkaktojë goditje elektrike.
- Mos e përdorni makinerinë nëse çelësi nuk e ndez apo fik. Kërkoni që çelësat defektozë të zëvendësohen nga qendra e autorizuar e shërbimit të Makita.

Leva ndezëse/ndaluese

Për të ndezur makinerinë, mbani shtypur butonin bllokues (2) dhe pastaj tërhiqni plotësisht levën ndezëse/ndaluese (1) dhe mbajeni. Pasi të keni tërhequr levën ndezëse/ndaluese, nuk ju nevojitet të mbani shtypur butonin bllokues. Për të ndaluar makinerinë, thjesht lëshoni levën ndezëse/ndaluese.

Rregullimi i këndit të dorezës

Mund të ndryshoni këndin e shufrës së sipërme të dorezës.

- 1) Zhblokoni të gjitha shtrëngueset e dorezës (6).
- 2) Rregulloni këndin e sipërm të dorezës (3).
- 3) Bllokoni përsëri shtrëngueset e dorezës.

Përshtatja e lartësisë

Në varësi të gjendjes të barit, përshtatni lartësinë e mjetit prerës.

Referojuni tabelës më poshtë si tregues i përafërt për parametrat e thellësisë.

| Lartësia | Përdorimi | |
|----------|--|--|
| | Shkrifërimi | Krehja (Pjesë opsionale) |
| +5 mm | Për transportim dhe magazinim. Shkrifërimi i lëndinave të ndjeshme. Prerja e shtresave të holla. Funkcioni i dytë i shkrifërimit në vjeshtë. | Për transportim dhe magazinim. Krehja e lëndinave normale. |
| 0 mm | Shkrifërimi i lëndinave normale. Prerja e shtresës normale. | Krehja e lëndinave të trasha të ashpra. |
| -5 mm | Shkrifërimi i lëndinave normale. Prerja e shtresës së trashë. | Të MOS përdoret për funksion krehës. |
| -10 mm | Shkrifërimi i lëndinave të trasha të ashpra. Prerja e shtresës së trashë. | Të MOS përdoret për funksion krehës. |

Ndryshimi i lartësisë

Shtyni para levën e rregullimit të lartësisë (12) dhe vendoseni në pozicionin e dëshiruar.

Mbrojtja nga mbingarkesa

Kjo makineri është pajisur me mbrojtje nga mbingarkesa dhe funksionon në situatat vijuese:

- Mjeti prerës bllokohet sepse materialet e shkrifëruara mblidhen rreth saj.
- Makineria përpiqet të shkrifërojë më shumë sesa mund të shkrifërohet nga motori.
- Diçka e pengon rrotullimin e mjetit prerës.

Kur funksionon kjo mbrojtje, makineria fiket automatikisht.

Nëse ndodh kjo gjë, hiqeni nga priza makinerinë, prisni derisa të ftohet dhe eliminoni shkakun e mbingarkesës para rindezjes së makinerisë.

PËRDORIMI

Këshilla përdorimi:

- Priejani barin para përdorimit dhe fertilizoni pas përdorimit.
- Përshtatni thellësinë e mjetit prerës në pajtim me lartësinë e barit dhe motit.
- Të mos përdoret mbi bar të njomë. Ka prirje të ngjitet në daljen shkarkuese dhe pjesë të tjera të makinerisë. Gjithashtu mund të shkaktojë rrëshqitje dhe rënie.
- Mos lëvizni shumë shpejt. Shtyjeni makinerinë ngadalë. Në të kundërt dalja shkarkuese mund të bllokohet dhe motori të mbingarkohet.
- Përdoreni përgjatë një vije sa më të drejtë që të jetë e mundur.
- Bëni vija shkrifërimi paksa të mbivendosura. Do të ruhet sipërfaqja e ekuilibruar dhe e lëmuar.
- Kur në zonën e përdorimit ndodhet një shtrat lulesh, bëni një ose dy rrathe rreth shtratit të luleve.
- Kini veçanërisht kujdes kur merrni kthesa.
- Mos qëndroni në një pozicionin. Dëmtoni barin.

Këshilla për shkrifërim:

- Gjithmonë merrni parasysh motin. Moti i ngrohtë, me diell dhe lagështirë është i mirë për shkrifërim sepse lëndina mund të rimarrë veten. Nga ana tjetër, shmangni të ftohtin, nxehtësinë dhe motin e thatë.
- Shkrifërojeni lëndinën gjatë stinës së pranverës.
- Nëse vera është me lagështirë, shkrifërojeni lëndinën në fillim të vjeshtës.
- Mos bëni shkrifërim gjatë periudhave me mot tepër të nxehtë.
- Nëse vera është shumë e thatë, mos bëni shkrifërim në vjeshtë.

Këshilla për shkrifërim:

- Nevojitet shumë ajrim për zonën rreth rrënjëve në lëndinë për të ruajtur rritjen e shëndetshme në stinë e pranverës.
- Rekomandohet kryerja e funksionit të ajrimit në lëndinë çdo 4 – 6 javë në pajtim me gjendjen e lëndinës.

MIRËMBAJTJA

⚠ KUJDES:

- Gjithmonë sigurohuni që makineria të jetë fikur dhe hequr nga priza para kryerjes së kontrollit ose mirëmbajtjes.
- Mbani doreza mbrojtëse para kryerjes së kontrollit ose mirëmbajtjes.
- Prerësi nuk ndalon menjëherë pas fikjes. Prisni derisa të gjitha pjesët të kenë ndaluar para se të kryeni punime mirëmbajtjeje.
- Sigurohuni që të gjitha mjetet të jenë hequr pas punimeve të mirëmbajtjes.

• Kurrë mos përdorni benzinë, vajguri, alkool ose lëndë të ngjashme për pastrim. Mund të krijohet çngjyrim, deformim ose plasaritje. Për të pastruar makinerinë, përdorni vetëm leckë të njomë dhe një furçë të butë.

• Mos e pastroni makinerinë me zorrë apo me ujë me presion.

Kur e transportoni makinerinë, kushtojini vëmendje pikave vijuese:

- Fikni motorin, hiqeni nga priza dhe prisni derisa mjeti prerës të ndalojë.
- Përshtatni thellësinë e mjetit prerës në lartësinë e transportimit.
- Gjithmonë transportojeni makinerinë nga doreza.
- Shmangni përplasjen e fortë ose dridhjet e forta.
- Sigurojeni fort makinerinë në rast se e ngarkoni në automjete.

Ndiqni hapat në vijim pas çdo përdorimi:

- Fikni motorin, hiqeni nga priza dhe prisni derisa mjeti prerës të ndalojë.
- Të pastrohet grumbulluesi e barit. Të ruhet makineria në një dhomë të thatë.
- Të kontrollohet, pastrohet dhe ruhet makineria në një dhomë të thatë.

Të kryhen punimet vijuese rregullisht:

- Të kontrollohet se të gjitha mjetet shtrënguese si vidhat, dadot, etj, janë të shtrënguar fort.
- Të kontrollohet për defekte si pjesë të liruara, të konsumuara apo të dëmtuara. Të zëvendësohen nëse nevojitet.
- Kontrolloni se kapakët dhe mbrojtëse nuk janë të dëmtuara apo të deformuara.
- Nëse makineria fillon dridhje të pazakonta gjatë përdorimit, kjo mund të shkaktohet nga mjeti prerës i çekuilibruar apo deformuar nga goditja me objekte të jashtme. Kërkonti që mjeti prerës të riparohet apo zëvendësohet nga qendra e autorizuar e shërbimit nëse ndodh kjo gjë.
- Mjeti prerës është konsumuar gjatë kalimit të kohës. Kontrolloni rregullisht gjendjen e mjetit prerës dhe qëndrueshmërinë e tij. Zëvendësojeni nëse është konsumuar ose çmprehur.
- Pastroni dhe lubrifikoni të gjitha vidhat para magazinimit.

ZGJIDHJA E PROBLEMEVE

PARALAJMËRIM: Para se të zgjidhni problemet, fikni makinerinë, stakojeni nga priza e rrymës elektrike dhe prisni derisa makineria të ndalojë plotësisht.

| Problem | Shkaku i mundshëm | Zgjidhja |
|--|---|--|
| Makineria nuk ndizet. | Ushqyesi i rrymës elektrike nuk është futur në prizë. | Lidhni ushqyesin e rrymës elektrike. |
| | Defekt i kordonit të rrymës elektrike. | Hiqeni menjëherë nga priza. Kërkoni nga qendra lokale e autorizuar e shërbimit të Makita që ta riparojë. |
| | Defekt i qarkut elektrik. | Kërkoni nga qendra lokale e autorizuar e shërbimit të Makita që ta riparojë. |
| | Butoni bllokues nuk është shtypur. | Shtypni butonin bllokues dhe tërhiqni levën ndezëse/ndaluese. |
| Nga makineria dëgjohe kërcitje. | Në mjetin prerës kanë ngecur sende të jashtme. | Fikni motorin, hiqeni nga priza dhe prisni derisa mjeti prerës të ndalojë. Dhe pastaj hiqni sendet e jashtme. |
| Nga makineria dëgjohe zhurmë e çuditshme. | Defekt i rripit të transmisionit | Kërkoni nga qendra lokale e autorizuar e shërbimit të Makita që ta riparojë. |
| Makineria nuk arrin fuqinë maksimale të saj. | Burimi i rrymës elektrike ka tension më të ulët sesa nevojitet. | Provoni një burim rryme tjetër. Kontrolloni nëse po përdoret një burim rryme elektrike me specifika të përshtatshme. |
| | Daljet e ajrimit janë të bllokuara. | Pastroni daljet e ajrimit. |
| Rezultat i pamjaftueshëm. | Bari është shumë i gjatë. | Kositeni barin para shkrifërimit. |
| | Mjeti prerës është i konsumuar ose dëmtuar. | Zëvendësojeni. |
| | Sipërfaqja e shkrifëruar tejkalon kapacitetin e makinerisë. | Shkrifëroni vetëm sipërfaqe që pajtohen me kapacitetin e makinerisë. |
| | Thellësia e shkrifërimit nuk është e saktë. | Rregulloni thellësinë e mjetit prerës. |

PJESË OPSIONALE

⚠ KUJDES:

- Këto pjesë ose pajisje shtesë rekomandohen të përdoren me mjetin tuaj Makita të specifikuar në këtë manual. Përdorimi i pjesëve ose pajisjeve shtesë të tjera mund të paraqesin rrezik lëndimi për persona të tjerë. Përdorni vetëm pjesët ose pajisjet shtesë për qëllimet e tyre të paracaktuara.
- Nëse ju nevojitet ndihmë ose më shumë detaje për këto aksesore, kërkoni ndihmë nga qendra e shërbimit të Makita.

Ka shumë lloje të mjetit prerës:

- Tehu shkrifëruar - Cepi i mprehtë i një tehu shkrifëron tokën dhe pret rrënjët.
- Tehu krehës (pjesë opsionale) - Kreh fushën duke mbledhur barin dhe gjethet me gjilpëra të imëta.
- Tehu 2 në 1 (pjesë opsionale) - Krehje dhe shkrifërim në të njëjtën kohë.

NJOFTIM:

Disa elemente në listë mund të përfshihen në paketën e mjetit si pjesë shtesë standarde. Ato mund të ndryshojnë nga njëri shtet në tjetrin.

Vetëm për vendet evropiane

Deklarata e konformitetit të KE

Makita deklaron se makineria(të) e mëposhtme:

Përcaktimi i makinerisë:

Shkrifërues Elektrik

Nr. Modeli/ Tipi: UV3600

Janë në pajtim me Direktivat Evropiane në vijim:

2000/14/KE të përmirësuar nga 2005/88/KE,
2006/42/KE, 2004/108/KE, 2011/65/BE

Dhe janë prodhuar në përputhje me standardet ose dokumentet e standardizuara si vijon:

EN60335, EN13684

Skedari teknik në pajtim me direktivën 2006/42/KE disponohet nga:

Makita, Jan-Baptist Vinkstraat 2, 3070, Belgjikë

Procedura e pajtueshmërisë së kërkuar nga Direktiva 2000/14/KE është në pajtim me shtojcën V.

Niveli i matur i fuqisë së zhurmës: 99,53 dB (A)

Niveli i garantuar i fuqisë së zhurmës: 104 dB (A)

21.11.2014



Yasushi Fukaya
Drejtor

Makita, Jan-Baptist Vinkstraat 2, 3070, Belgjikë

ПРЕДУПРЕЖДЕНИЕ: Този уред може да се използва от деца на възраст над 8 години, лица с намалени физически, сензорни или умствени способности или от хора, на които липсват опит и познания, ако им се осигури надзор или инструкции за безопасното използване на уреда и разбират опасностите, които произтичат от това. Деца не трябва да играят с уреда. Почистването и поддръжката не трябва да се осъществяват от деца без надзор.

НОМЕРА И НАИМЕНОВАНИЯ НА ЧАСТИТЕ (Фиг. 1)

- | | | |
|-----------------------------------|--------------------------------------|----------------------------|
| 1. Лост за старт/стоп | 7. Лост | 13. Режещ инструмент (нож) |
| 2. Разблокиращ бутон | 8. Скоби (x2) | 14. Болт и пружинна шайба |
| 3. Горна част на дръжката | 9. Колектор за трева | 15. Лагерь |
| 4. Долна част на дръжката | 10. Предпазен дефлектор | 16. Задвижващ вал |
| 5. Компенсатор за опъна на кабела | 11. Врътка | |
| 6. Фиксатор на дръжката | 12. Лост за регулиране на височината | |

ТЕХНИЧЕСКА ИНФОРМАЦИЯ

| | |
|---|--|
| Модел | UV3600 |
| Напрежение | 230-240 V |
| Честота | 50 Hz |
| Номинална входяща мощност | 1800 W |
| Нетно тегло | 15,3 кг. |
| Скорост при празен ход | 3500 мин ⁻¹ |
| Максимална ширина на косене | 360 мм |
| Диапазон на работна височина | 4 стъпки (-10/-5/0/5 мм) |
| Обем на колектора за трева | 40 литра |
| Клас на защита | IPX4 |
| Ниво на акустично налягане | 81,24 dB(A), K= 2,50 dB(A) |
| Ниво на акустично налягане при ухото на оператора | 85,5 dB(A), K= 2,50 dB(A) |
| Измерено ниво на акустична мощност | 99,53 dB(A), K= 4,50 dB(A) |
| Гарантирано ниво на акустична мощност | 104 dB(A) |
| Вибрации | 4,673 m/s ² , K= 1,5 m/s ² |

СИМВОЛИ

Тук по-долу са показани символите, които се използват за уреда. Уверете се, че разбирате тяхното значение, преди да започнете работа с него.



• Прочетете инструкциите за употреба.



• Бъдете внимателни!

особено



- Двойна изолация.



- Носете предпазни ръкавици!



- Носете здрави обувки с подметки, които не се плъзгат.



- Използвайте предпазни очила и антифони.



- Изчакайте, докато всички части на машината спрат напълно.



- Внимавайте за острите режещи инструменти.



- Изключете двигателя и издърпайте щепсела от захранването, преди да започнете почистване или поддръжка, или ако захранващият кабел е повреден.



- Има опасност от изхвърляне на предмети с висока скорост.



- Поддържайте безопасно разстояние между периметъра на работа и стоящите наблизо хора и животни.



- Не излагайте уреда на дъжд или влага.



- Изключете щепсела от електрическия контакт, ако захранващият кабел е повреден или срянан.



- Опасност от токов удар.



- Пазете кабела от колелата и ножовете на уреда.



- Само за държави в рамките на ЕС

Не изхвърляйте електрическо оборудване заедно с битовите отпадъци!

Електрическото оборудване, което е в края на своя полезен живот, трябва да се събира разделно и да се връща в екологично-съобразни съоръжения за рециклиране, както е определено в директивата на ЕС относно отпадъците от електрическо и електронно оборудване и нейното прилагане в съответствие с националното законодателство.

ПРЕДУПРЕЖДЕНИЯ ЗА ОПАСНОСТ

ПРОЧЕТЕТЕ ВНИМАТЕЛНО ПРЕДИ УПОТРЕБА

ЗАПАЗЕТЕ РЪКОВОДСТВОТО, ЗА ДА МОЖЕ ДА ПРАВИТЕ СПРАВКА С НЕГО И В БЪДЕЩЕ



Не започвайте работа с машината преди да прочетете инструкциите за работа в това ръководство. Следвайте всички дадени инструкции и монтирайте уреда, както е описано.

Предназначение на уреда

- Този уред е предназначен да се използва като градински култиватор и грапа.
- Култиваторът е предназначен само за лична употреба, а не за търговска експлоатация. Също така не го използвайте на обществени места.

За обществени ниско-волтови електрозахранващи системи с напрежение между 220 и 250 волта.

Включването на електрически уреди причинява колебания в напрежението. Използването на това устройство с електрозахранване, което не отговаря на посочените параметри, може да има негативно въздействие върху работата на други устройства. При електрозахранване с импеданс равен или по-малък на 0,412 Ома може да се приеме, че няма да има негативни въздействия. Електрическият контакт, който се използва за това устройство, трябва да е защитен с бушон или защитен прекъсвач с бавнодействаща защита.

Обща информация

- Прочетете това ръководство, за да се запознаете с работата на уреда. Използването на уреда от недостатъчно информирани потребители увеличава риска от пожар, токов удар и нараняване на потребителите или на други лица.
- Не давайте уреда на заем на лица, които не са доказали, че имат опит и знаят как да го използват.
- При даване на уреда на заем винаги прилагайте и настоящото ръководство.
- Този уред не е предназначен за използване от лица с намалени физически, сензорни или умствени способности или от хора, на които липсват опит и познания. Децата не трябва да бъдат оставяни без надзор, за да не играят с уреда.
- Използвайте уреда само ако сте в добро физическо състояние. Работете спокойно и внимателно. Потребителят носи отговорност за безопасността на всички лица, както и за всички вреди в периметъра на работа на уреда.
- Не използвайте уреда след употреба на алкохол или упойващи вещества, или ако се чувствате уморен или зле.
- Почивайте периодично, за да не допуснете загуба на управлението поради преумора. Препоръчително е да правите 10 – 20 минутна почивка на всеки час работа.

- Използвайте уреда в съответствие с тези инструкции, като вземете в предвид условията на работа и конкретната употреба. Използване на уреда не по предназначение може да доведе до опасна ситуация.
- Националните или местните разпоредби може да поставят ограничения относно работата с уреда.
- Бъдете нащрек. Следете какво правите. Действайте разумно. Не работете с уреда, когато сте изморени.

Лични предпазни средства

- Носете подходящо облекло. Облеклото трябва да бъде подходящо и функционално, например трябва да бъде плътно по тялото, но не и ограничаващо свободата на движение. Не носете бижута или облекло, които могат да бъдат захванати от уреда. Носете защитна шапка или мрежа, които държат дългата коса.
- Винаги използвайте антифони, за да предпазите слуха си.
- Носете предпазни очила, за да защитите очите си от летящи предмети и отломки.
- Носете предпазни ръкавици, за да защитите пръстите си от нараняване.
- Носете респираторна маска, за да намалите риска от увреждане на здравето.

- Когато използвате уреда, винаги носете здрави обувки с подметки, които не се плъзгат. Така ще се предпазите от нараняване и ще стъпвате стабилно.
- Докато работите с уреда винаги носете солидни обувки и дълги панталони. Не работете с уреда бос или по сандали.

Безопасност в периметъра на работа

- Погрижете се, когато използвате машината, наблизо да няма други лица, деца или животни.
- Уверете се в периметъра на работа няма камъни, кабели, стъкла или други несвойствени предмети. Някои неща могат да бъдат захванати от уреда и изстреляни така, че да причинят наранявания или щети.
- Работете с уреда само при добра видимост и на дневна светлина. Не работете с уреда, когато е тъмно или мъгливо.
- Не използвайте уреда на места, където има опасност от експлозия, например близо до лесно запалими течности, газове или прах. Уредът изпуска искри, които могат да възпламенят праха или парите.
- Не излагайте уреда на дъжд или влага. Попадането на влага в уреда увеличава риска от токов удар.

Стартиране на уреда

• Преди да включите щепсела в контакта или да включите уреда:

- Проверете дали щепсела и кабела за хранване са в добро състояние.
- Проверете дали всички всички болтове, винтове, гайки и други фиксиращи средства за здраво затегнати.
- Проверете дали ножовете са монтирани и в добро състояние.
- Проверете предпазителите и обезопасителните устройства, например дали дефлекторите и колекторът за трева са изправни.
- Проверете дали вентилационните отворине са покрити с прах или други материали. Почистете ги с мека четка или кърпа, ако са задръстени.
- Сменете повредените или нечетливи етикети.
- Проверете внимателно всички части на уреда, за да определите дали работи добре и изпълнява своето предназначение. Особено важно е никога да не използвате уреда, ако ключът не работи надеждно.
- Уверете се, че ключът е в изключено положение, за да не допуснете случайно стартиране на уреда.

– Проверете дали всички инструменти за поддръжка за отстранени, например регулиращия ключ или гаечните ключове.

- Ако хранващият кабел или щепсел са повредени, поискайте от оторизиран сервис на Makita, те да бъдат сменени. Винаги използвайте оригинални резервни части.
- Никога не използвайте уреда, ако някое обезопасително устройство, например дефлектора или колектора за трева, са повредени или липсват.
- Когато включвате двигателя:
 - Пазете ходилата си от ножовете.
 - Не накланяйте уреда.
 - Не стойте пред изпускателния отвор.
 - Никога не поставяйте ръка или друга част от тялото или облеклото си в близост до движещи се части.

Електрическа безопасност

- Преди работа проверете дали щепсела на уреда е съвместим с контакта за хранване.
- Никога не модифицирайте щепсела.
- Използвайте внимателно хранващия кабел. Никога не използвайте кабела за носене или дърпане на уреда или за изваждане на щепсела от контакта. Пазете кабела от топлина, масло, остри ръбове или движещи се части.

Повреденият или заплетен кабел увеличава риска от токов удар.

- Проверявайте редовно удължителния кабел за повреди на изолацията. Сменете го, ако е повреден.
- Ако захранващият кабел е повреден, незабавно изключете щепсела от електрическия контакт. Повреденият кабел може да доведе до контакт с части от тялото и токов удар.
- Никога не използвайте повреден кабел.
- Пазете захранващия и удължителния кабел от ножа и колелата на уреда. Ножът може да повреди кабела и да причини токов удар.
- Когато използвате уреда на открито, винаги използвайте прекъсвач с дефектнотокова защита (ДТЗ/RCD) с работен ток до 30 mA.
- Използвайте само удължители за използване на открито с конектор, устойчив на пръскане с вода. Сечението трябва да е минимум 1,5 mm² за кабели с дължина до 25 м, а за кабели над 25 м – поне 2,5 mm².
- Уредът трябва да се свързва само към захранване с волтаж, означен на табелката с информация, и може да се използва само с монофазно променливотоково захранване. Проводниците на захранващия кабел трябва

да са с двойна изолация в съответствие с европейските стандарти, затова уредът ще може да се включва дори в електрически контакти без заземяване.

- Избягвайте контакт на тялото със заземени повърхности (напр. тръби, радиатори, хладилници, печки и т.н.).

Работа с уреда

- Избягвайте работа на влажна трева. Особено внимавайте на мокра трева, за да не се подхлъзнете.
- При работа дръжте здраво дръжката с двете ръце. Поддържайте дръжката суха и чиста, за да избегнете инциденти.
- Не тичайте. По време на работа с уреда винаги ходете.
- Когато работите под наклон, обърнете специално внимание колко стабилно сте стъпили.
- Не работете право нагоре или надолу по наклон. Винаги работете по хоризонтална линия.
- Много внимавайте, когато завивате с машината по наклон.
- Никога не работете на стръмен наклон.
- Изключително много внимавайте, когато връщате машината назад или я придърпвате към себе си.

- Не се протягайте. Винаги поддържайте добър баланс, и стъпвайте стабилно. Това дава възможност да управлявате машина по-надеждно, ако възникне неочаквана ситуация.
- Не забравяйте:
 - Пазете ходилата си от ножовете.
 - Не накланяйте уреда.
 - Не стойте пред изпускателния отвор.
 - Никога не поставяйте ръка или друга част от тялото или облеклото си в близост до движещи се части.
- Не пресилвайте уреда. Той работи по-добре и по-безопасно със скоростта за която е проектиран. Честото претоварване може да доведе до повреда на двигателя или пожар.
- Винаги изключвайте двигателя и щепсела от контакта:
 - Когато оставяте уреда без надзор
 - Преди почистване на задръстване или отстраняване на повреда
 - Преди проверка, почистване и работа по уреда
 - Преди правене на настройки, смяна на аксесоари или съхранение
 - Когато машината удари чужд предмет. Изчакайте, докато уредът се охлади. Инспектирайте уреда и сменете частите, ако това е необходимо, преди да продължите работа
- Когато машината започне да вибрира или шуми по необичаен начин
- Когато монтирате или демонтирате колектора за трева
- Когато някой навлезе в работния периметър
- Когато минавате по повърхност, различна от трева
- При транспортиране.
- Спрете ножа:
 - Ако трябва да наклоните машината
 - Когато минавате по повърхност, различна от трева
 - Транспортирате машината до или от повърхност, на която ще я използвате.
- Обърнете внимание на ножа. Той не спира веднага, след като изключите уреда.

Инструкции за поддръжка

- Науредатрябва да се извършва сервизно обслужване от нашите оторизирани сервизи и винаги да се използват само оригинални резервни части. Неправилният ремонт и лошата поддръжка могат да намалят полезния живот на машината и увеличават риска от инциденти.
- Инспектирайте редовно машината.

- Преди сервизно обслужване, инспекция, настройки, съхранение или смяна на аксесоар, изпълнете следните стъпки:
 - Изключете захранването
 - Извадете щепсела от електрическия контакт
 - Уверете се, че всички движещи се части са спрели напълно
 - Оставете машината да се охлади.
- Инспектирайте уреда за възможни повреди:
 - Дали обезопасителните устройства функционират надеждно и според предназначението си
 - Дали всички движещи се части се движат гладко и както трябва
 - Дали всички части са изправни и инсталирани правилно
 - Проверете ножа за повреди, износване и дисбаланс
 - Проверете колектора за трева за повреди или износване
 - Проверете дали всички гайки, болтове и винтове са добре затегнати
 - Сменете или ремонтирайте в нашите оторизирани сервизи, ако има повредени или износени части.
- Не извършвайте сами дейности по поддръжка или ремонт, които не са описани в настоящото ръководство. Всички други дейности трябва да се извършат от оторизираните сервизи на Makita.
- Използвайте само оригинални резервни части от Makita, предназначени за Вашия уред. Неизпълнението на това указание може да доведе до повреда на уреда или нараняване.
- Съхранявайте уреда в сухо помещение. Съхранявайте го на място, недостъпно за деца. Никога не съхранявайте уреда на открито.

Вибрации

- Хората с проблеми с кръвообращението, които бъдат изложени на силни вибрации, могат да получат увреждане на кръвоносните съдове или нервната система. Вибрациите могат да причинят следните симптоми в пръстите, ръцете и китките. "Изтръпване", мравучкане, болка, бодежи и/или промяна на цвета на кожата. Консултирайте се с лекар, ако имате някои от тези симптоми.
- За да намалите риска от "болест на белите пръсти", дръжте ръцете си затоплени по време на работа и поддържайте добре уреда и аксесоарите.

⚠ ПРЕДУПРЕЖДЕНИЕ:

- Този уред генерира електромагнитно поле по време на работа. Препоръчително е лицата с медицински импланти да се консултират със своя лекар и производителите на импланта, преди да използват уреда. В противен случай електромагнитното поле може да засегне медицинския имплант и да причини сериозни увреждания на здравето.

⚠ ВНИМАНИЕ:

- Винаги се уверявайте дали машината е изключена и щепселът е изваден от електрическия контакт, преди да извършите каквито и да е действия по уреда.

Сглобяване на дръжката (Фиг. 2, 3)

- 1) Затегнете долната част на дръжката (4) към уреда с болтовете с врътки (11).
- 2) Поставете горната част на дръжката (3) върху долната част на дръжката и след това ги затегнете с двете шайби, гайката и лоста (7).
- 3) Захванете кабела със скобите (8) към дръжката.

Монтиране на колектора за трева**⚠ ВНИМАНИЕ:**

- Не работете с уреда без колектора за трева. В противен случай изхвърлените предмети могат да причинят нараняване.
- Трябва да се използва пълна защита за очите, когато уредите със задно разтоварване, които имат открити задни ролки, се използват без колектор.

БЕЛЕЖКА:

- Производителността на уреда намалява, когато колекторът за трева е пълен. Изпразвайте колектора за трева редовно, преди той да се напълни догоре.

Монтиране на колектора за трева

Дръпнете нагоре дефлектора (10) и го задръжте. Поставете куките на колектора за трева в каналите на уреда.

Демонтиране на колектора за трева

Дръпнете нагоре дефлектора (10) и го задръжте. Свалете колектора за трева, като освободите куките от каналите в уреда.

Компенсатор за опъна на кабела (Фиг. 4)

Компенсаторът за опъна на кабела (5) помага да не се позволи кабела да се заплете в колелата или в ножа. Направете малка примка в края на хранващия кабел и я прекарайте през отвора на компенсатора за опъна на кабела, след което закачете примката на куката.

При работа трябва винаги да се съобразявате с положението на кабела. Започнете работа от мястото, което е най-близо до хранването, за да не позволите кабелът да бъде прерязан по случайност. Препоръчително е кабелът да минава над рамото Ви по време на работа с уреда.

Демонтиране и монтиране на ножа**⚠ ВНИМАНИЕ:**

- Носете предпазни ръкавици.
- Бъдете особено внимателни при работа с ножа. Той е много остър и може да се нагрее при работа.
- Винаги използвайте подходящ нож за конкретната задача.
- Преди работа проверявайте дали двата болта, които държат ножа в уреда, са здраво затегнати. Не използвайте уреда, ако някой от тях е разхлабен или липсва. Ако някой от болтовете е повреден, сменете го веднага.

Демонтиране на ножа

- 1) Свалете колектора за трева (9).
- 2) Свалете дръжката от уреда.
- 3) Поставете уреда с долната част нагоре на равна повърхност.
- 4) Разхлабете двата болта (14). Свалете ги заедно с пружинните шайби.
- 5) Вдигнете лагерния блок на ножа (15), а след това издърпайте ножа (13) от задвижващия вал (16).

Монтиране на ножа

- 1) Поставете ножа, като мушнете шестоъгълния му край в гнездото на задвижващия вал.
- 2) Затегнете лагерния блок към уреда с болтовете с пружинни гайки.

ФУНКЦИОНАЛНИ ХАРАКТЕРИСТИКИ**⚠ ПРЕДУПРЕЖДЕНИЕ:**

- Преди за включите уреда към хранването, винаги се уверявайте, че ключа на уреда е в положение изключено. Ако ключът е във включено

положение, уредът може да стартира неочаквано, когато го включите към захранването и това да доведе до сериозно нараняване.

- Никога не използвайте уреда с повреден кабел за захранване. Това може да предизвика токов удар.
- Не използвайте уреда, ако ключът не може да го включва или изключва. Осигурете смяна на дефектния ключ от оторизираните сервиси на Makita.

Лост за старт/стоп

За да стартирате уреда, натиснете и задръжте блокиращия бутон (2), а след това издърпайте докрай лоста за старт/стоп (1) и го задръжте. След като издърпате лоста старт/стоп, може вече да пуснете блокиращия бутон.

За да спрете уреда, просто освободете лоста старт/стоп.

Регулиране на ъгъла на дръжката

Можете да промените ъгъла на горната част на дръжката.

- 1) Освободете фиксаторите на дръжката (6).
- 2) Настройте ъгъла на горната част на дръжката (3).
- 3) Заклучете отново фиксаторите на дръжката.

Регулиране на височината

В зависимост от състоянието на тревата регулирайте височината на ножа.

Вижте таблицата по-долу за насоки относно настройките за височина.

| Височина | Предназначение | |
|----------|---|---|
| | Култиватор/ Скарификатор | Почистване с грапа (опция аксесоар) |
| +5 мм | За транспортиране и съхранение. Култивиране на чувствителни ливади. Отделяне на тънки слоеве. Второ култивиране през есента. | За транспортиране и съхранение. Почистване с грама на нормални ливади. |
| 0 мм | Култивиране на нормални ливади. Отделяне на нормален слой. | Почистване с грапа на гъсти, сплъстени ливади. |

| | | |
|--------|--|-------------------------------|
| -5 мм | Култивиране на нормални ливади. Отделяне на дебел слой. | НЕ използвайте за почистване. |
| -10 мм | Култивиране на гъсти, сплъстени ливади. Отделяне на дебел слой. | НЕ използвайте за почистване. |

Промяна на височината

Избутайте навън лоста за регулиране на височината (12) и го преместете в желаната позиция.

Защита от претоварване

Този уред е оборудван със защита от претоварване, която се задейства в следните случаи:

- Ако ножът се задръсти поради натрупване около него на отрязан материал.
- Култиваторът се опитва да обработи нещо, с което двигателят не може да се справи.
- Нещо пречи на въртенето на ножа.

Когато тази защита се активира, уредът се изключва автоматично.

Ако това се случи, изключете уреда от захранването и изчакайте докато се охлади. Отстранете причината за претоварването, преди да рестартирате уреда.

ЕКСПЛОАТАЦИЯ

Съвети за използване:

- Окосете тревата преди работа с уреда, а после наторете.
- Регулирайте дълбочината на ножа в съответствие с височината на тревата и метеорологичните условия.
- Избягвайте работа на влажна трева. Тя залепва по изхода за разтоварване и други части на уреда. Освен това създава условия за подхлъзване и падане.
- Не се движете твърде бързо. Бутайте бавно уреда. В противен случай изхода за разтоварване може да се задръсти и двигателят да се претовари.
- Работете по колкото се може по-права линия.
- Правете леко припокриващи се обработени ленти с култиватора. Така ще поддържате повърхността гладка и равна.
- Ако в периметъра на работа има цветна леха, направете един два кръга около нея.
- Много внимавайте, когато завивате с машината.
- Не стойте на едно място. Това поврежда тревата.

Съвети за култивиране:

- Винаги вземайте предвид метеорологичните условия. Топлото, слънчево и влажно време е добър момент за култивиране, тъй като ливадата може лесно да се възстанови. От друга страна избягвайте студено, горещо и сухо време.
- Култивирайте ливадата през пролетта.
- Ако лятото е влажно, култивирайте ливадата през ранната есен.
- Не култивирайте през периоди на горещо време.
- Ако лятото е много сухо, не култивирайте през есента.

Съвети за използване като грапа:

- Около корените на тревата трябва да има лесен достъп на въздух, за да може да се поддържа добър растеж през пролетта.
- Препоръчва се да се извършва аериране на ливадата на всеки 4 – 6 седмици в зависимост от състоянието ѝ.

ПОДДРЪЖКА

⚠ ВНИМАНИЕ:

- Винаги проверявайте дали машината е изключена и щепселът е изваден от електрическия контакт преди инспекция или поддръжка.
- Сложете предпазни ръкавици преди извършване на инспекция или поддръжка.
- Ножът не спира веднага, след като изключите уреда. Изчакайте, докато всички части спрат, преди за извършите операция по поддръжката.
- След приключване на поддръжката се уверете, че всички инструменти са извадени от уреда и прибрани.
- Никога не използвайте нафта, бензин, разтворител, алкохол или др. подобни препарати за почистване. Това може да доведе до обезцветяване, деформация или напукване. За да почистите машината, използвайте влажна кърпа или мека четка.
- Не почиствайте машината с маркуч или с вода под налягане.

При транспортиране на уреда обърнете внимание на следното:

- Изключете двигателя, извадете щепсела от захранването и изчакайте, докато ножът спре.
- Регулирайте дълбочината на ножа до височина за транспортиране.

- Винаги транспортирайте уреда, като го държите за дръжката.
- Избягвайте силни удари или вибрации.
- Прикрепете добре уреда, ако го транспортирате с превозно средство.

След работа с уреда винаги извършвайте следното:

- Изключете двигателя, извадете щепсела от захранването и изчакайте, докато ножът спре.
- Почистете колектора за трева Поставете го в сухо помещение.
- Проверете, почистете и приберете уреда в сухо помещение.

Извършвайте следните действия редовно:

- Проверявайте дали всички фиксиращи елементи (скоби, винтове, болтове, гайки и т.н.) са затегнати здраво.
- Проверявайте за дефекти като разхлабени, износени или повредени части. Сменете ги, ако е необходимо.
- Проверете дали капците и предпазителите не са повредени или деформирани.
- Ако уредът започне да вибрира необичайно по време на работа, това може да се дължи на разбалансиране или деформиране на ножа поради удар с твърди тела. Ако това се случи, осигурете поправка или смяна на ножа от оторизиран сервиз.
- Ножът се износва с течение на времето. Проверявайте редовно състоянието и стабилността на ножа. Сменете го, ако се износи или затъпи.
- Почистете и смажете всички завинтващи се части преди съхранение.

ОТКРИВАНЕ И ОТСТРАНЯВАНЕ НА НЕИЗПРАВНОСТИ

ПРЕДУПРЕЖДЕНИЕ: Преди да започнете с отстраняването на проблемите, изключете уреда, извадете щепсела от захранването и изчакайте уредът да спре напълно.

| Проблем | Вероятна причина | Отстраняване |
|--|---|---|
| Уредът не стартира. | Захранването не е включено. | Свържете захранването. |
| | Дефектен захранващ кабел. | Изключете веднага щепсела от електрическия контакт. Обърнете се за ремонт към оторизирания сервизен център на Makita. |
| | Дефект в електрическа верига. | Обърнете се за ремонт към оторизирания сервизен център на Makita. |
| Уредът издава пукащи звуци. | Блокиращият бутон не е натиснат. | Натиснете блокиращия бутон и издърпайте лоста старт/стоп. |
| | Име нещо заплетено в ножа. | Изключете двигателя, извадете щепсела от захранването и изчакайте, докато ножът спре. Отстранете заплетените материали. |
| Уредът издава странни звуци. | Дефект в задвижващия ремък | Обърнете се за ремонт към оторизирания сервизен център на Makita. |
| Уредът не достига максимална мощност. | Захранващото напрежение е по-ниско от необходимото. | Опитайте с друг източник за електрозахранване. Проверете дали се използва подходящо захранване. |
| | Вентилационните отвори са задръстени. | Почистете вентилационните отвори. |
| Лоши резултати от използването на уреда. | Тревата е твърде висока. | Окосете я преди култивиране. |
| | Ножът е износен или повреден. | Сменете го. |
| | Повърхността за култивиране изисква уред с по-голяма мощност. | Култивирайте само повърхности, които отговарят на капацитета на уреда. |
| | Неподходяща дълбочина на култивиране. | Регулирайте дълбочината на ножа. |

ОПЦИЯ АКСЕСОАР

ВНИМАНИЕ:

- Тези аксесоари или приставки се препоръчват за използване с Вашия уред Makita, описан в това ръководство. Използването на други аксесоари и приставки може да създаде опасност от нараняване. Използвайте аксесоарите и приставките само според предназначението им.
- Ако имате нужда от повече информация или съвет относно тези аксесоари, моля, обърнете се към местния сервиз на Makita.

Има няколко вида ножове:

- Нож за култивиране - острите върхове на остриетата скарифицират почвата и срязват корените.
- Нож-грапа (опция аксесоар) - отстранява тревата и листата посредством тънки като игли остриета.
- Нож 2-в-1 (опция аксесоар) - осигурява едновременно функционалността на грапа и на култиватор.

БЕЛЕЖКА:

- Някои продукти от списъка могат да бъдат включени в опаковката на уреда като стандартни аксесоари. Те може да са различни за различните държави.

Само за европейските държави

ЕС декларация за съответствие

Makita декларира, че следните машини:

Наименование на машината:

Електрически култиватор

Модел No./ Тип: UV3600

са в съответствие със следните европейски директиви:

2000/14/ЕС, изменена от 2005/88/ЕС, 2006/42/ЕС,
2004/108/ЕС, 2011/65/ЕС

И се произвеждат в съответствие със следните стандарти и нормативни документи:

EN60335, EN13684

Файлт с техническа документация в съответствие с 2006/42/ЕС може да се вземе от:

Makita, Jan-Baptist Vinkstraat 2, 3070, Белгия

Процедурата за оценка на съответствието, необходима по силата на Директива 2000/14/ЕС е в съответствие с Анекс V.

Измерено ниво на акустична мощност:

99,53 dB (A)

Гарантирано ниво на акустична мощност:

104 dB (A)

21.11.2014 г.



Yasushi Fukaya

Директор

Makita, Jan-Baptist Vinkstraat 2, 3070, Белгия

UPOZORENJE: Ovaj aparat mogu koristiti djeca starija od 8 godina i osobe sa smanjenim fizičkim, osjetilnim ili mentalnim sposobnostima ili osobe koje nemaju potrebno iskustvo znanje, ako su pod nadzorom ili ako su im dane upute za sigurnu upotrebu aparata i razumjele su opasnosti koje su prisutne. Djeca se ne smiju igrati s aparatom. Čišćenje i održavanje korisnika ne smiju obavljati djeca bez nadzora.

OZNAKE DIJELOVA (Slika 1)

- | | | |
|--|-------------------------------------|---|
| 1. Poluga za pokretanje/ zaustavljanje | 7. Poluga | 14. Svornjak i opružna podložna pločica |
| 2. Gumb za deblokadu | 8. Spojnice (x2) | 15. Ležaj |
| 3. Gornji rukohvat | 9. Hvatač trave | 16. Pogonska osovina |
| 4. Donji rukohvat | 10. Zaštitni uređaj za otklanjanje | |
| 5. Zaštitni hvatač | 11. Kotačić | |
| 6. Stega rukohvata | 12. Poluga za prilagođavanje visine | |
| | 13. Rezni alat | |

TEHNIČKI PODACI

| | |
|---|--|
| Naziv modela | UV3600 |
| Napon | 230-240 V |
| Frekvencija | 50 Hz |
| Nazivna ulazna snaga | 1800 W |
| Neto težina | 15,3 kg |
| Brzina bez opterećenja | 3500 min ⁻¹ |
| Maksimalna širina rezanja | 360 mm |
| Raspon visine rada | 4 koraka (-10/-5/0/5 mm) |
| Volumen hvatača trave | 40 l |
| Razred zaštite | IPX4 |
| Razina zvučnog tlaka | 81,24 dB (A), K= 2,50 dB (A) |
| Razina zvučnog tlaka na uhu rukovatelja | 85,5 dB (A), K= 2,50 dB (A) |
| Izmjerena razina jačine zvuka | 99,53 dB (A), K= 4,50 dB (A) |
| Zajamčena razina jačine zvuka | 104 dB (A) |
| Vibracija | 4,673 m/s ² , K= 1,5 m/s ² |

SIMBOLI

Sljedeće prikazuje simbole koji se koriste za stroj. Prije korištenja uvjerite se da ste razumjeli njihovo značenje.



• Pročitajte priručnik s uputama.



• Dvostruka izolacija.



• Nosite zaštitne rukavice.



• Budite iznimno pažljivi i pozorni.



- Nosite robusne čizme s potplatima koji se ne klizu.



- Nosite zaštitu za oči i uši.



- Pričekajte da se dijelovi stroja potpuno zaustave.



- Obratite pozornost na oštre rezne alate.



- Isključite motor i odspojite ga prije čišćenja ili održavanja ili ako je kabel za napajanje oštećen.



- Predmeti bi se mogli izbacivati pri velikoj brzini.



- Držite sigurnu udaljenost između promatrača ili kućnih ljubimaca i područja rada.



- Ne izlažite kiši ili vlazi.



- Ako je kabel za napajanje oštećen ili presječen, odmah uklonite utikač iz utičnice.



- Rizik od strujnog udara.



- Držite kabel dalje od reznih alata ili kotača.



- Samo za države EU-a
Nemojte odlagati električnu opremu zajedno s ostalim kućnim otpadom!

Imajući u vidu Europsku direktivu o otpadnoj električnoj i elektroničkoj opremi i njezinu primjenu u skladu s državnim zakonom, električna oprema kojoj je istekao životni vijek moraju se odvojeno prikupljati i vratiti u ekološki prihvatljivu ustanovu za recikliranje.

SIGURNOSNA UPOZORENJA

PAŽLJIVO PROČITAJTE PRIJE UPORABE SAČUVAJTE UPUTE ZA UPORABU ZA BUDUĆU UPORABU



Nemojte početi koristiti stroj dok ne pročitate upute za uporabu. Pridržavajte se svih danih uputa i postavite alat kako je opisano.

Namjena stroja

- Ovaj je stroj namijenjen za skarifikaciju ili grabljanje u vrtovima.
- Skarifikator je namijenjen za osobnu, a ne za komercijalnu upotrebu. Nemojte ga koristiti ni na javnim mjestima.

Za javne distribucijske sustave niskog napona između 220 V i 250 V.

Sklopne operacije električnog uređaja uzrokuju fluktuacije napona. Rad uređaja u nepovoljnim uvjetima napajanja može imati štetne učinke na rad druge opreme. Ako je impedancija napajanja jednaka ili manja od 0,412 oma, može se pretpostaviti da neće biti negativnih učinaka. Strujna utičnica koja se koristi za uređaj mora biti zaštićena električnim osiguračem ili zaštitnom sklopkom s karakteristikama sporog isključivanja.

Opće upute

- Pročitajte ove upute za uporabu prije nego što počnete rukovati strojem. Rukovanje strojem nedovoljno informiranih korisnika povećava rizik od požara, strujnog udara ili tjelesnih ozljeda prema sebi i drugima.
- Nemojte posuditi stroj ljudima koji nisu dokazali da imaju iskustva.
- Ako posuđujete stroj, uvijek priložite i ove upute za uporabu.
- Stroj nije namijenjen za rukovanje od strane osoba sa smanjenim fizičkim, osjetilnim ili mentalnim sposobnostima ili s nedovoljnim iskustvom i znanjem. Mala djeca moraju biti pod nadzorom kako biste se uvjerili da se ne igraju strojem.

- Koristite samo ako ste dobrog zdravstvenog stanja. Sve radove obavljajte smireno i pažljivo. Korisnik je odgovoran za svu sigurnosti osoba i štetu oko područja rada.
- Stroj nemojte nikada koristiti nakon konzumacije alkohola ili droga ili ako se osjećate umorno ili bolesno.
- Odmorite se kako biste spriječili gubitak kontrole zbog umora. Preporučujemo da se svaki sat odmorite 10 do 20 minuta.
- Koristite stroj u skladu s ovim uputama i uzimajući u obzir uvjete rada i primjenu. Neispravna primjena stroja može dovesti do opasnih situacija.
- Državnim ili lokalnim propisima može biti ograničeno korištenje stroja.
- Budite na oprezu. Pazite što radite. Razumno koristite alat. Ne rukujte strojem ako ste umorni.

Osobna zaštitna oprema

- Primjereno se obucite. Odjeća koju nosite treba biti primjerena i odgovarati svrsi, tj. treba pristajati uz tijelo, ali ne smije vas ometati. Ne nosite nakit ili odjeću koja se može zaplesti u stroj. Koristite zaštitno pokrivalo za kosu kako biste obuzdali dugu kosu.
- Uvijek nosite zaštitu za uši kako biste spriječili gubitak sluha.
- Nosite zaštitne naočale da biste zaštitili oči od letećih predmeta i krhotina.

- Nosite zaštitne rukavice da biste spriječili ozljedu prstiju.
- Nosite masku za prašinu da biste smanjili rizik od ozljede.
- Kada koristite stroj, uvijek nosite robusne cipele s potplatima koji se ne kližu. One vas štite od ozljeda i osiguravaju dobro uporište.
- Tijekom rukovanja strojem uvijek nosite izdržljivu obuću i duge hlače. Nemojte se služiti strojem bosonogi ili dok nosite otvorene sandale.

Sigurnost područja rada

- Držite djecu, promatrače i životinje dalje od sebe kada rukujete strojem.
- Provjerite da na radnom području nema kamenja, žica, stakla ili drugih stranih predmeta. Strani predmet može se zaglaviti u stroj ili biti odbačen i uzrokovati štetu ili ozljede.
- Strojem rukujte isključivo u uvjetima dobre vidljivosti i danjeg svjetla. Nemojte rukovati strojem u tami ili magli.
- Ne rukujte strojem u eksplozivnom okružju poput u blizini zapaljivih tekućina, plinova ili prašine. Stroj stvara iskre koje mogu zapaliti prašinu ili isparavanje.
- Ne izlažite stroj kiši ni vlazi. Ulazak vode u stroj može povećati rizik od strujnog udara.

Pokretanje stroja

- Prije spajanja utikača ili uključivanja stroja:

- Provjerite utikač i kabel i potvrdite da su u dobrom stanju.
- Provjerite da su svi vijci, matice i drugi pričvršćivači ispravno pričvršćeni.
- Provjerite da su rezni alati na mjestu i u dobrom radnom stanju.
- Provjerite da štitnici i sigurnosni uređaji poput uređaja za otklanjanje ili hvatača trave dobro rade.
- Provjerite da ventilacijski otvori nisu prekriveni prašinom ili drugim stranim materijalima. Očistite ih mekom četkom ili krpom ako su blokirani.
- Zamijenite oštećene ili nečitke naljepnice.
- Pažljivo provjerite sve dijelove stroja da biste utvrdili da ispravno radi i obavlja svoju namijenjenu funkciju. Osobito nikad nemojte koristiti stroj ako prekidač ne radi normalno.
- Pazite da je prekidač u položaju “isključeno” da biste spriječili nenamjerno uključivanje.
- Provjerite da su svi alati za održavanje poput ključa za podešavanje ili običnog ključa uklonjeni.
- Ako je kabel za napajanje oštećen, obratite se ovlaštenom servisnom centru tvrtke Makita i uvijek koristite originalne rezervne dijelove.

- Nikad nemojte koristiti stroj ako je sigurnosni uređaj poput zaštitnog uređaja za otklanjanje ili hvatača trave oštećen ili ako ga nema.
- Kada uključujete motor:
 - Držite noge dalje od reznih alata.
 - Nemojte naginjati stroj.
 - Nemojte stajati ispred otvora za pražnjenje.
 - Nikad nemojte stavljati ruke ili druge dijelove tijela ili odjeću blizu pomičnih dijelova.
- Držite kabel i produžni kabel dalje od reznih alata i kotača. Rezni alati mogu oštetiti kabel i uzrokovati strujni udar.
- Kada koristite stroj na otvorenom, uvijek koristite sklopku na diferencijalnu struju (RCD) sa strujom aktiviranja od 30 mA ili nižom.
- Koristite samo produžne kabele za vanjsku upotrebu s priključkom otpornim na prskanje vode. Presjek mu mora biti barem 1,5 mm² za duljine kabela do 25 m te 2,5 mm² za duljine kabela preko 25 m.
- Stroj bi trebao biti povezan samo na izvor napajanja istog napona kao što je označeno na pločici i može raditi samo na jednofaznom izvoru izmjenične struje. Ima dvostruku izolaciju u skladu s europskim standardom i stoga se mogu koristiti napajanja iz utičnica bez uzemljene žice.
- Izbjegavajte tjelesni kontakt s uzemljenim površinama (npr. cijevi, radijatori, štednjaci, hladnjaci).

Električna sigurnost

- Provjerite da priključak utikača na stroju ulazi u utičnicu prije uporabe.
 - Nikad nemojte preinačavati priključak utikača.
 - Nemojte zloupotrebjavati kabel. Nikada nemojte koristiti kabel za nošenje, povlačenje ili isključivanje stroja. Držite kabel dalje od topline, ulja, oštih rubova ili pomičnih dijelova. Oštećeni ili zapetljani kabeli povećavaju rizik od strujnog udara.
 - Redovito provjeravajte produžne kabele za oštećenu izolaciju. Zamijenite ih ako su oštećeni.
 - Ako je priključni kabel oštećen, odmah izvucite utikač. Oštećeni kabel može dovesti do dodira s dijelovima pod naponom i do strujnog udara.
 - Nikad nemojte koristiti oštećeni kabel.
- ## Rukovanje
- Izbjegavajte rukovanje na mokroj travi. Osobito pazite kada radite na mokroj travi da se ne skliznete.
 - Rukohvat držite čvrsto, objema rukama tijekom rada. Držite rukohvat suhim i čistim da biste spriječili nezgode.
 - Nemojte trčati. Samo hodajte tijekom rada.

- Osobito pazite na uporište kada radite na padini.
- Nemojte ići ravno prema gore ili dolje na padini. Uvijek radite prema vodoravnoj crti.
- Budite osobito pažljivi kada okrećete stroj na padini.
- Nikad nemojte raditi na stroju na padini.
- Veoma dobro pazite kad se krećete unatrag ili kad vučete stroj prema sebi.
- Ne približavajte se previše. U svakom trenutku imajte odgovarajućioslonaci održavajte ravnotežu. To omogućuje bolju kontrolu nad strojem u neočekivanim situacijama.
- Uvijek imajte na umu:
 - Držite noge dalje od reznih alata.
 - Nemojte naginjati stroj.
 - Nemojte stajati ispred otvora za pražnjenje.
 - Nikad nemojte stavljati ruke ili druge dijelove tijela ili odjeću blizu pomičnih dijelova.
- Nemojte koristite prekomjernu silu na stroju. Bolje i sigurnije obavlja posao na brzini za koju je namijenjen. Česta preopterećenja mogu uzrokovati štetu motora ili požar.
- Isključite motor i odspojite ga:
 - uvijek kad ostavljate stroj bez nadzora
 - prije čišćenja blokada ili kvara
 - prije provjere, čišćenja ili rada na stroju
- prije podešavanja, zamjene pribora ili pohranjivanja
- kad strojudari strani predmet. Pričekajte da se stroj ohladi. Pregledajte stroj i po potrebi zamijenite dijelove prije nego što nastavite s radom
- uvijek kad stroj počne vibrirati ili ispuštati čudne zvukove
- kad pričvršćujete ili uklanjate hvatač trave
- kad netko uđe u vaše područje rada
- kad prelazite preko površine na kojoj nema trave
- kad ga prevozite.
- Zaustavljanje reznog alata:
 - ako morate nagnuti stroj
 - kad prelazite preko površina na kojima nema trave
 - kad prevozite stroj do i od površina koje želite obraditi.
- Obratite pozornost na rezne alate. Ne zaustavljaju se odmah nakon što ih isključite.

Upute za održavanje

- Onesite stroj na servisiranje u ovlaštenu servis i uvijek koristite samo originalne rezervne dijelove. Neispravni popravci ili loše održavanje mogu skratiti vijek trajanja stroja i povećati rizik od nezgoda.
- Redovito pregledajte stroj.
- Prije servisiranja, pregleda, podešavanja, pohranjivanja ili zamjene pribora, poduzmite sljedeće korake:
 - isključite izvor napajanja
 - odspojite stroj od izvora napajanja

- pobrinite se da su se svi pomični dijelovi u potpunosti zaustavili
- pustite da se stroj ohladi.
- Pregledajte stroj radi moguće štete:
 - radi li ispravno sigurnosni uređaj prema namijenjenoj funkciji
 - rade li dobro i bez problema svi pomični dijelovi
 - jesu li svi dijelovi neoštećeni i ispravno postavljeni
 - provjerite rezni alat na znakove štete, istrošenosti ili neuravnoteženosti
 - redovito provjeravajte postoje li na hvataču trave znakovi štete ili istrošenosti
 - provjerite da su sve matice, svornjaci i vijci zategnuti
 - neka ovlašteni servisni centar zamijeni ili popravi oštećene ili istrošene dijelove ako oni postoje.
- Nemojte vršiti nikakvo održavanje ili popravak osim onoga što je ovim priručnikom opisano. Svaki drugi zadatak moraju obaviti ovlašteni servisni centri tvrtke Makita.
- Koristite samo originalne zamjenske dijelove i pribor tvrtke Makita namijenjene za vaš stroj. U suprotnome može doći do tjelesnih ozljeda ili oštećenja stroja.
- Pohranite stroj u suhoj sobi. Držite ih podalje od dohvata djece. Nikada nemojte pohraniti stroj na otvorenom.

Vibracija

- Kod ljudi s lošom cirkulacijom koji su izloženi pretjeranoj vibraciji može doći do ozljeda krvnih žila ili živčanog sustava. Vibracija može uzrokovati sljedeće simptome u prstima, rukama ili ručnim zglobovima: "utrnuće", bockanje, bol, osjećaj probadanja, promjene kože ili njezine boje. Ako se pojavi bilo koji od navedenih simptoma, posjetite liječnika.
- Da biste smanjili rizik od "bolesti bijelih prstiju", tijekom rukovanja održavajte toplinu ruku te dobro održavajte opremu i dodatni pribor.

⚠ UPOZORENJE:

- Ovaj stroj proizvodi elektromagnetsko polje za vrijeme rada. Preporučuje se da se osobe s medicinskim implantatima obrate liječniku i proizvođaču implantata prije korištenja stroja. U suprotnome elektromagnetsko polje može utjecati na medicinske implantate i dovesti do ozbiljne ozljede.

SASTAVLJANJE

⚠ OPREZ:

- Obavezno provjerite je li stroj isključen i odspojen prije obavljanja bilo kakvog posla na alatu.

Sastavljanje rukohvata (Slika 2, 3)

- 1) Pričvrstite donji rukohvat (4) na stroj vijcima (11).
- 2) Stavite gornji rukohvat (3) na donji rukohvat i pričvrstite ih pomoću dva odstojnika, matice i poluge (7).
- 3) Spojnicama (8) pričvrstite kabel na rukohvat.

Sastavljanje hvatača trave

⚠ OPREZ:

- Nemojte rukovati strojem bez hvatača trave. U suprotnome izbačeni predmeti mogu uzrokovati ozljedu.
- Za uređaje za stražnje pražnjenje s izloženim stražnjim valjcima, kada se koristi bez hvatača, potrebno je nositi potpunu zaštitu za oči.

NAPOMENA:

- Učinak se stroja smanjuje kada je hvatač trave pun. Redovito praznite hvatač trave prije nego što se potpuno napuni.

Postavljanje hvatača trave

Povucite zaštitni uređaj za otklanjanje prema gore (10) i držite ga. Umetnite kuke na hvataču trave u utore na stroju.

Uklanjanje hvatača trave

Povucite zaštitni uređaj za otklanjanje prema gore (10) i držite ga. Uklonite hvatač hrane tako da otpustite kuke iz utora na stroju.

Zaštitni hvatač za kabel (Slika 4)

Zaštitni hvatač za kabel (5) pomaže u sprečavanju da se kabel zapetlja u oštricu ili kotač.

Napravite malu petlju na kraju kabela za napajanje i provucite je kroz otvor na zaštitnom hvataču za kabel te je zatim objesite na kuku.

Uvijek pazite na položaj kabela tijekom rada. Započnite rad na mjestu koji je najbliži izvoru napajanja da biste spriječili slučajno rezanje kabela. Preporučuje se da kabel držite preko ramena tijekom rada.

Uklanjanje ili postavljanje reznog alata

⚠ OPREZ:

- Nosite zaštitne rukavice.
- Osobite pazite prilikom rukovanja reznim alatom. Vrlo je oštar i može se vrlo zagrijati tijekom rada.
- Uvijek koristite prikladan rezni alat u skladu s primjenom.
- Prije rada provjerite da su dva svornjaka koji drže rezni alat na stroju čvrsto zategnuti. Ne koristite stroj ako je labav ili ga nema. Ako je oštećen, odmah ga zamijenite.

Uklanjanje reznog alata

- 1) Uklonite hvatač trave (9).
- 2) Uklonite rukohvat sa stroja.
- 3) Postavite stroj naopako na ravnu površinu.
- 4) Olabavite dva svornjaka (14). Uklonite ih kao i opružne podložne pločice.
- 5) Podignite dio s ležajem reznog alata (15), a zatim povucite rezni alat (13) van iz pogonske osovine (16).

Postavljanje reznog alata

- 1) Umetnite rezni alat tako da pomaknete dio sa šesterokutnom maticom u naglavak pogonske osovine.
- 2) Pričvrstite dio s ležajem reznog alata na stroj svornjacima i opružnim podložnim pločicama.

FUNKCIONALNI OPIS

⚠ UPOZORENJE:

- Prije priključivanja stroja, uvijek pazite da je stroj isključen. Prikliučivanje stroja dok je uključen može dovesti do iznenadnog pokretanja što može uzrokovati ozbiljne tjelesne ozljede.
- Nikad nemojte koristiti stroj ako je kabel za napajanje oštećen. U suprotnome može doći do strujnog udara.
- Nemojte koristiti stroj ako se prekidač ne uključuje i isključuje. Neispravne prekidače zamijenite u ovlaštenom servisnom centru tvrtke Makita.

Poluga za pokretanje/zaustavljanje

Za pokretanje stroja pritisnite i držite gumb za deblokadu (2), a zatim do kraja povucite polugu za pokretanje/zaustavljanje (1) i držite je. Nakon što povučete polugu za pokretanje/zaustavljanje, ne morate držati gumb za deblokadu.

Za zaustavljanje stroja jednostavno otpustite polugu za pokretanje/zaustavljanje.

Prilagođavanje kuta rukohvata

Možete promijeniti kut gornjeg rukohvata.

- 1) Otključajte stege rukohvata (6).
- 2) Podesite kut gornjeg rukohvata (3).
- 3) Zaključajte ponovno stege rukohvata.

Prilagođavanje visine

Ovisno o stanju trave podesite visinu reznog alata.

Pogledajte tablicu u nastavku kao okvirni prikaz za postavke dubine.

| Visina | Uporaba | |
|--------|--|--|
| | Skarifikacija | Grabljanje (dodatni pribor) |
| +5 mm | Za prijevoz i pohranjivanje. Skarifikiranje osjetljivih travnjaka. Uklanjanje tankih slojeva slame. Druga skarifikacija u jesen. | Za prijevoz i pohranjivanje. Grabljanje normalnih travnjaka. |
| 0 mm | Skarifikiranje normalnih travnjaka. Uklanjanje normalnih slojeva slame. | Grabljanje grubih, gustih travnjaka. |
| -5 mm | Skarifikiranje normalnih travnjaka. Uklanjanje gustih slojeva slame. | NEMOJTE koristiti za grabljanje. |
| -10 mm | Skarifikiranje grubih, gustih travnjaka. Uklanjanje gustih slojeva slame. | NEMOJTE koristiti za grabljanje. |

Mijenanje visine

Gurnite polugu za prilagođavanje visine (12) prema van i pomaknite je u željeni položaj.

Zaštita od preopterećenja

Stroj je opremljen zaštitom od opterećenja i radi u sljedećim situacijama:

- Rezni se alat začepi zbog skarificiranog materijala koji se nakupi oko njega.
- Stroj pokušava skarificirati više nego što to motor može podnijeti.
- Nešto ometa rotaciju reznog alata.

Kada zaštita radi, stroj se automatski isključuje.

Ako se to dogodi, odspojite stroj, pričekajte da se ohladi i uklonite uzrok preopterećenja prije ponovnog pokretanja stroja.

RUKOVANJE

Savjeti za rad:

- Pokosite travu prije rada i pognojite nakon rada.
- Podesite dubinu reznog alata u skladu s visinom trave i vremenskih uvjeta.
- Izbjegavajte rukovanje na mokroj travi. Ona se lijepi na ulaz za pražnjenje i druge dijelove stroja. Može uzrokovati i da se poskliznete i padnete.
- Nemojte se kretati prebrzo. Sporo gurajte stroj. U suprotnome bi se ulaz za pražnjenje mogao začeptiti i moglo bi doći do preopterećenja motora.
- Radite prema crti što je ravnije moguće.
- Radite pomalo preklapajuće skarificirane crte. To će održati ravnomjernu i glatku površinu.
- Kada se u području rada nalazi i cvjetna gredica, napravite jedan ili dva kruga oko cvjetne grede.
- Budite osobito pažljivi kada okrećete stroj.
- Nemojte stajati u jednom položaju. To oštećuje travu.

Savjeti za skarifikaciju:

- Uvijek uzmite u obzir vremenske uvjete. Toplo, sunčano i mokro vrijeme dobro je za skarifikaciju jer se travnjak može zdravo oporaviti. S druge strane, izbjegavajte hladno, vruće i suho vrijeme.
- Skarifikirajte travnjak tijekom proljeća.
- Ako je ljeto mokro, skarificirajte travnjak u ranu jesen.
- Nemojte skarificirati tijekom razdoblja izrazito vrućeg vremena.
- Ako je ljeto vrlo suho, nemojte skarificirati u jesen.

Savjeti za grabljanje:

- Potrebno je puno zraka u području oko korijena travnjaka kako bi se održao zdrav rast na proljeće.
- Preporučuje se provođenje radnji prozračivanja na travnjaku svakih 4 do 6 tjedana u skladu sa stanjem travnjaka.

ODRŽAVANJE

⚠ OPREZ:

- Prije svih pregleda i održavanja stroja uvijek provjerite jeste li isključili i odspojili alat.
- Nosite zaštitne rukavice tijekom pregleda ili održavanja.
- Rezač se ne zaustavlja odmah nakon što ga isključite. Pričekajte da se svi dijelove zaustave prije obavljanja radova održavanja.
- Pazite da su svi alati uklonjeni nakon održavanja.
- Nikada nemojte koristiti benzin, gorivo, razrjeđivač, alkohol ili slično za čišćenje. Kao rezultat može se izgubiti boja, pojaviti deformacija ili pukotine. Za čišćenje stroja koristite samo vlažnu krp i meku četku.
- Nemojte polijevati ili čistiti stroj vodom pod visokim pritiskom.

Kada prevozite stroj, pazite na sljedeće točke:

- Isključite motor, odspojite i pričekajte dok se rezni alat ne zaustavi.
- Prilagodite dubinu reznog alata na visinu prikladnu za prijevoz.
- Uvijek prenosite stroj držeći ga za rukohvat.
- Izbjegavajte jake udarce ili jaku vibraciju.
- Čvrsto pričvrstite stroj u slučaju kad se utovaruje na vozila.

Obavite sljedeće korake nakon svakog rada:

- Isključite motor, odspojite i pričekajte dok se rezni alat ne zaustavi.

- Očistite hvatač trave. Pohranite ga u suhoj sobi.
- Pregledajte, očistite i pohranite stroj u suhoj sobi.

Redovito obavljajte sljedeće radnje:

- Provjerite da su sve stezaljke, poput vijaka, matica itd. čvrsto zategnute.
- Provjerite ima li oštećenja poput labavih, istrošenih i oštećenih dijelova. Zamijenite ih ako je potrebno.
- Provjerite da poklopci i štitnici nisu oštećeni ili izobličeni.

- Ako stroj počinje neobično vibrirati tijekom rada, to može biti zbog neuravnoteženog ili izobličenog reznog alata zbog udara stranih predmeta. Ako se to dogodi, neka ovlašteni servisni centar popravi ili zamijeni rezni alat.
- Rezni se alat istroši tijekom vremena. Redovito provjeravajte stanje reznog alata i njegovu stabilnost. Zamijenite je ako se istroši i postane tup.
- Očistite i podmažite sve vijke prije spremanja.

RJEŠAVANJE PROBLEMA

UPOZORENJE: Prije rješavanja problema isključite stroj, izvucite utikač i pričekajte da se stroj potpuno zaustavi.

| Problem | Mogući uzroci | Popravlak |
|--|---|---|
| Stroj se ne pokreće. | Izvor struje nije priključen. | Spojite na izvor struje. |
| | Oštećenje kabela za napajanje. | Odmah odspojite. Zatražite popravak u lokalnom ovlaštenom servisnom centru tvrtke Makita. |
| | Oštećenje strujnog kruga. | Zatražite popravak u lokalnom ovlaštenom servisnom centru tvrtke Makita. |
| | Gumb za deblokadu nije pritisnut. | Pritisnite gumb za deblokadu i povucite polugu za pokretanje/zaustavljanje. |
| Stroj ispušta zvukove krckanja. | Strana tvar zapetljena je u rezni alat. | Isključite motor, odspojite i pričekajte dok se rezni alat ne zaustavi. Zatim uklonite stranu tvar. |
| Stroj ispušta čudnu buku. | Oštećenje pogonskog remena. | Zatražite popravak u lokalnom ovlaštenom servisnom centru tvrtke Makita. |
| Stroj ne dostiže svoju maksimalnu snagu. | Izvor struje ima niži napon nego što je potrebno. | Pokušajte drugi izvor struje. Provjerite je li postavljen prikladan izvor struje. |
| | Začepljeni su ventilacijski otvori. | Očistite ventilacijske otvore. |
| Loš rezultat. | Trava je previsoka. | Pokosite travu prije skarifikacije. |
| | Rezni alat je istrošen ili oštećen. | Zamijenite ga. |
| | Skarifirana površina premašuje kapacitet stroja. | Skarifirajte samo onu površinu koja je u skladu s kapacitetom stroja. |
| | Dubina skarifikacije nije ispravna. | Prilagodite dubinu reznog alata. |

⚠ OPREZ:

- Ovaj se dodatni pribor ili priključci preporučuju samo za uporabu s vašim alatom tvrtke Makita preciziranim u ovom priručniku. Uporaba bilo kojih drugih dodatnih pribora ili priključaka može predstavljati opasnost od ozljede. Rabite pribor ili priključke samo za njihove navedene svrhe.
- Ako vam je potrebna pomoć za više detalja u pogledu ovih dodatnih pribora, obratite se najbližem servisnom centru tvrtke Makita.

Postoji nekoliko vrsta reznog alata:

- Oštrica za skarifikaciju - Oštar rub oštrice skarificira zemlju i reže korijene.
- Oštrica za grabljanje (dodatni pribor) - Uklanja travnjak i lišće sitnim iglicama.
- Oštrica 2 u 1 (dodatni pribor) - Istovremeno grabljanje i skarifikacija.

NAPOMENA:

- Neke stavke na popisu mogu biti uključene u paket alata kao standardni pribor. Mogu se razlikovati ovisno o zemlji.

Samo za europske zemlje

Izjava o sukladnosti EZ-a

Tvrtka Makita izjavljuje da su sljedeći strojevi:

Oznaka stroja:

Električni skarifikator

Br./vrsta modela: UV3600

sukladni sa sljedećim europskim direktivama:

2000/14/EZ izmijenjena i dopunjena 2005/88/EZ,
2006/42/EZ, 2004/108/EZ, 2011/65/EU

Proizvedeni u skladu sa sljedećim standardima ili standardiziranim dokumentima:

EN60335, EN13684

Tehnička datoteka u skladu s 2006/42/EZ dostupna je na sljedećoj adresi:

Makita, Jan-Baptist Vinkstraat 2, 3070, Belgija

Postupak ocjenjivanja sukladnosti koji zahtijeva Direktiva 2000/14/EZ u skladu je s Prilogom V.

Izmjerena razina jačine zvuka: 99,53 dB (A)

Zajamčena razina jačine zvuka: 104 dB (A)

21.11.2014.



Yasushi Fukaya

Direktor

Makita, Jan-Baptist Vinkstraat 2, 3070, Belgija

ПРЕДУПРЕДУВАЊЕ: Овој апарат може да го користат деца на возраст од 8 години и постари, и лица со намалени физички, сензорни и ментални способности или со недоволно искуство и знаење, доколку се под надзор или им се дадени упатства во врска со безбедното користење на апаратот и ги разбираат опасностите што можат да се случат. Деца не смеат да си играат со апаратот. Чистењето и одржувањето не смеат да го прават деца без надзор.

ОЗНАЧУВАЊА НА ДЕЛОВИ (Сл. 1)

- | | | |
|---------------------------------------|--|---------------------------------|
| 1. Лост за вклучување/ исклучување | 7. Лост | 13. Алат за сечење |
| 2. Копче за блокирање | 8. Клип (x2) | 14. Навртка и шајбна со пружина |
| 3. Горна шипка на рачката | 9. Корпа за трева | 15. Лежиште |
| 4. Долна шипка на рачката | 10. Штитник | 16. Осовина |
| 5. Држач за кабел | 11. Копче | |
| 6. Стега на рачката | 12. Лост за приспособување на висината | |

ТЕХНИЧКИ ПОДАТОЦИ

| | |
|--|--|
| Име на модел | UV3600 |
| Напон | 230-240 V |
| Фреквенција | 50 Hz |
| Номинална влезна моќност | 1800 W |
| Нето тежина | 15,3 кг |
| Брзина без оптоварување | 3500 мин ⁻¹ |
| Максимална ширина на сечење | 360 мм |
| Опсег на работна висина | 4 чекори (-10/-5/0/5 мм) |
| Волумен на корпа за трева | 40 л |
| Заштитна класа | IPX4 |
| Ниво на звучен притисок | 81,24 дБ(А), K= 2,50 дБ(А) |
| Ниво на звучен притисок во увото на операторот | 85,5 дБ(А), K= 2,50 дБ(А) |
| Измерено ниво на јачина на звук | 99,53 дБ(А), K= 4,50 дБ(А) |
| Гарантирано ниво на јачина на звук | 104 дБ(А) |
| Вибрации | 4,673 м/с ² , K= 1,5 м/с ² |

СИМБОЛИ

Овде се прикажани симболите што се користат за машината. Треба да го знаете нивното значење пред да започнете со употреба.



• Прочитајте го прирачникот со упатства.



• Бидете многу внимателни.



• Двојна изолација.



- Носете заштитни ракавици.



- Носете цврсти обувки кои не се лизгаат.



- Носете заштита за очите и ушите.



- Почекајте додека не сопрат целосно сите делови на машината.



- Внимавајте на острите алати за сечење.



- Исклучете го моторот и откачете го од струја пред чистење или операции за одржување или ако кабелот за струја е оштетен.



- При висока брзина, може да бидат исфлрени различни предмети.



- Одржувајте безбедно растојание меѓу лицата што се во близина и домашните миленици и работната област.



- Не изложувајте го полначот на дожд или влага.



- Веднаш извадете го приклучокот од штекерот за струја доколку кабелот е оштетен или исечен.



- Ризик од струен удар.



- Држете го кабелот настрана од алатите за сечење или од ркралата.



- Само за земји-членки на ЕУ

Не расходувајте електрична опрема заедно со отпад од домаќинството!

Во согласност со Европската директива за електричен отпад и отпад од електронска опрема и нејзино применување во согласност со домашната законска регулатива, електричната опрема на која ѝ е поминат работниот век мора засебно да се собира и да се враќа во капацитет за рециклирање кој е компатибилен со животната средина.

БЕЗБЕДНОСНИ ПРЕДУПРЕДУВАЊА

**ВНИМАТЕЛНО ПРОЧИТАЈТЕ ПРЕД УПОТРЕБА
ЧУВАЈТЕ ГО УПАТСТВОТО ЗА УПОТРЕБА ЗА ИДНИ КОНСУЛТАЦИИ**



Не започнувајте со користење на машината пред да ги прочитате овие упатства за работа. Почитувајте ги сите дадени упатства и монтирајте ја машината како што е опишано.

Намена на машината

- Оваа машина е наменета за скарификација или прекопување на градини.
- Скарифikatorот е наменет само за приватна употреба, а не за комерцијална употреба. Не користете го на јавни места.

За јавни системи за дистрибуција на струја со низок напон меѓу 220 V и 250 V.

Менувањето на операциите на електричниот апарат предизвикуваат флукуации во напонот. Работењето со овој уред под неповолни услови на снабдување со струја може да предизвика негативни влијанија врз работењето на другата опрема. Со импеданца на струјата еднаква или помала од 0,412 Ohms, се предвидува дека ќе нема негативни влијанија. Главниот штекер што се користи за овој уред мора да биде заштитен со осигурувач или заштитна склопка која има карактеристики на бавно премостување.

Општи упатства

- Прочитајте го ова упатство за употреба за да се запознаете со ракувањето на машината. Ракувањето со машината од страна на корисници што не се доволно информирани, го зголемува ризикот од пожар, струен удар или телесна повреда, или телесни повреди на други лица.

- Не давајте ја машината на заем на лица за кои не знаете дали имаат доволно искуство.
- Кога ја давате машината на заем, секогаш приложувајте го и ова упатство за употреба.
- Машината не е наменета за употреба од страна на лица со намалени физички, сетилни или ментални способности, или пак со недоволно искуство и знаење. Малите деца треба да бидат под надзор за да не им се дозволи да си играат со машината.
- Работете само кога сте во добра физичка состојба. Сите работи извршувајте ги смилено и внимателно. Корисникот е одговорен за целокупната безбедност на лицата, како и за штетите околу работната област.
- Никогаш не користете ја машината по конзумирање алкохол или дрога, или ако се чувствувате изморени или болни.
- Одмарајте се за да спречите губење на контролата предизвикано од замор. Препорачуваме да се одмарате од 10 до 20 минути на секој час.
- Користете ја машината во согласност со овие упатства, земајќи ги предвид работните услови и примената. Користењето на машината за работи за кои не е наменета може да доведе до опасни ситуации.

- Националните или локалните прописи можно е да го ограничуваат ракувањето со машината.
- Бидете внимателни. Внимавајте што правите. Користете здрав разум. Не ракувајте со машината кога сте уморни.
- Додека ракувате со алатот, секогаш носете добри обувки и долги панталони. Не ракувајте со машината кога сте боси или кога носите отворени сандали.

Безбедност во работната област

Опрема за лична заштита

- Облечете се соодветно. Облеката треба да биде функционална и соодветна, односно треба тесно да прилега на телото, но не и да биде неудобна. Не носете ниту накит, ниту пак облека која што може да се заплетка во машината. Носете заштита за косата за да ја соберете долгата коса.
- Секогаш носете заштита за ушите за да избегнете губење на слухот.
- Носете заштитни очила за да ги заштитите очите од летечки предмети и отпадоци.
- Носете заштитни ракавици за да спречите повреда на прстите.
- Носете маска за заштита од прашина за да го намалите ризикот од повреда.
- Кога ја користите машината, секогаш носете цврсти чевли со ѓон кој не се лизга. Тие ве штитат од повреди и обезбедуваат стабилна подлога.
- Деца и други лица, вклучително и животни, треба да бидат понастрана кога машината е во функција.
- Проверете дали во работната област има камења, жици, стакло или други надворешни предмети. Надворешните предмети можат да бидат зафатени или исфрлени од машината, што може да предизвика штета или повреда.
- Ракувајте со машината само во услови на добра видливост и при дневна светлина. Не ракувајте со машината кога е темно или кога има магла.
- Не ракувајте со машината во околина каде што постои опасност од експлозија, на пример, во присуство на запаливи течности, гасови или прашина. Машината создава искри кои можат да ги запалат прашината или испарувањата.
- Не изложувајте ја машината на дожд или на влажни услови. Навлегувањето вода во машината може да го зголеми ризикот од струен удар.

Вклучување на машината

- Пред да го поврзете штекерот или да ја вклучите машината:
 - Проверете дали штекерот и кабелот се во добра состојба.
 - Проверете дали сите шrafoви, завртки и други делови за прицврстување се добро стегнати.
 - Проверете дали алатите за сечење се на место и во добра работна состојба.
 - Проверете дали штитниците и безбедносните уреди, како на пример, штитници и корпата за трева функционираат добро.
 - Проверете дали отворите за вентилација се покриени со прашина или други надворешни материјали. Исчистете ги со мека четка или ткаенина ако се затнати.
 - Заменете ги оштетените етикети или етикетите што не се читливи.
 - Внимателно проверете ги сите делови на машината за да утврдите дали таа работи правилно и ги извршува нејзините функции. Машината никогаш немојте да ја користите доколку прекинувачот не работи нормално.

- Проверете дали прекинувачот е исклучен за да спречите ненамерно вклучување.
- Проверете дали се отстранети сите алати за одржување, на пример, клучот за нагодување или рачвестиот клуч.
- Ако е оштетен кабелот за струја, побарајте истиот да биде заменет од овластен сервисен центар за Makita. Секогаш користете оригинални делови за замена.
- Никогаш не користете ја машината ако одреден безбедносен уред е оштетен или недостасува, како на пример, штитник или корпа за трева.
- Кога го вклучувате моторот:
 - Држете ги стапалата понастрана од алатите за сечење.
 - Не навалувајте ја машината.
 - Не стојте пред отворот за празнење.
 - Никогаш не ставајте ги вашите дланки или други делови од телото или облеката во близина на деловите што се движат.

Електрична безбедност

- Проверете дали приклучокот на машината може да се вклучи во штекерот пред употреба.
- Никогаш немојте да го модифицирате приклучокот.

- Не превиткувајте го кабелот. Никогаш не користете го кабелот за носење, влечење или исклучување на машината. Чувајте го кабелот настрана од топлина, масло, остри рабови или делови во движење. Оштетен или заплеткан кабел го зголемува ризикот од струен удар.
 - Редовно проверувајте дали на продолжниот кабел му е оштетена изолацијата. Заменете го ако е оштетен.
 - Ако кабелот за поврзување е оштетен, веднаш исклучете го од струја. Оштетен кабел може да предизвика контакт со неизолирани делови и струен удар.
 - Никогаш не користете оштетен кабел.
 - Чувајте ги кабелот и продолжниот кабел настрана од алати за сечење и од тркала. Алатите за сечење може да го оштетат кабелот и да дојде до струен удар.
 - Кога ја користите машината надвор, секогаш користете RCD склопка за заостаната струја кога работите со струја од 30 mA или помалку.
 - Користете само продолжен кабел за надворешна употреба со конектор отпорен на вода. Неговиот пресек мора да биде барем 1,5 mm² за кабел со должина до 25 м, и 2,5 mm² за кабел со должина над 25 м.
 - Машината треба да биде поврзана само со струја со напон кој е еднаков на напонот наведен на плочката со името и може да се користи само еднофазна струја. Тие имаат двојна изолација во согласност со Европскиот стандард и затоа можат исто така да се користат со штекери без заземјување.
 - Избегнувајте контакт на телото со заземјени површини (на пр. цевки, радијатори, синџири, ладилници).
- ### Функционирање
- Избегнувајте да работите на водена трева. Особено внимавајте кога работите на водена трева за да не се лизнете.
 - Цврсто држете ја рачката со обете раце за време на работата. Рачката треба да биде сува и чиста за да се спречат несреќи.
 - Не трчајте. За време на работата треба само да одите.
 - Особено внимавајте на површината на која стоите кога работите на падина.
 - Не работете исправено или наведнато кога сте на падина. Секогаш работете по должина на хоризонтална линија.
 - Особено внимавајте кога ја вртите машината на падина.
 - Никогаш не работете на стрмна падина.

- Обрнете особено внимание кога ја враќате или повлекувате машината кон вас.
- Не истегнувајте се премногу. Одржувајте стабилност и рамнотежа во секој момент. Тоа ви овозможува подобра контрола над машината во неочекувани ситуации.
- Секогаш треба да имате на ум:
 - Држете ги стапалата понастрана од алатите за сечење.
 - Не навалувајте ја машината.
 - Не стојте пред отворот за празнење.
 - Никогаш не ставајте ги вашите дланки или другите делови од телото или облеката во близина на деловите што се движат.
- Не форсирајте ја машината. Работата подобро и побезбедно ќе ја заврши со брзината за која е дизајнирана. Честото преоптоварување може да го оштети моторот или да предизвика пожар.
- Исклучете го моторот и исклучете ја машината од струја:
 - Секогаш кога ја оставате машината без надзор
 - Пред да ги исчистите затнатите делови или пред поправка на дефект
 - Пред проверка, чистење или работење на машината
- Пред да правите какви било нагодувања, менување на додатоци или складирање
- Кога машината ќе удри во надворешен предмет. Почекајте машината да се излади. Проверете ја машината и заменете ги деловите ако е потребно, пред да продолжите со работа
- Секогаш кога машината ќе започне да вибрира или да произведуваневообичаена бука
- Кога ја прикачувате или отстранувате корпата за трева
- Кога некој ќе влезе во вашата работна област
- Кога поминувате над површина на која нема трева
- При транспорт.
- Исклучете го алатот за сечење:
 - Ако треба да ја навалите машината
 - Кога поминувате над површина на која нема трева
 - При транспортна машината до и од површини на кои треба да работите.
- Внимавајте на алатите за сечење. Тие не застануваат веднаш по исклучувањето.

Упатства за одржување

- Вашата машина треба да ја сервисира овластен сервисен центар. Секогаш треба да се користат оригинални делови за замена. Несоодветната поправка и слабото одржување можат да го скратат работниот век на машината и да го зголемат ризикот од несреќи.
- Редовно проверувајте ја машината.
- Пред сервисирање, проверка, нагодување, складирање или менување на додатоци, преземете ги следните чекори:
 - Исклучете го изворот на струја
 - Исклучете ја машината од струја
 - Проверете дали деловите што се движат се целосно застанати
 - Оставете ја машината да се излади.
- Проверете дали машината е оштетена:
 - Дали правилно функционира безбедносниот уред
 - Дали сите делови што се движат работат непречено и правилно
 - Дали сите делови се неоштетени и правилно монтирани
 - Проверете дали е оштетен алатот за сечење, дали е изабен или надвор од рамнотежа

- Редовно проверувајте дали корпата за трева е оштетена или изабена
- Проверете дали се стегнати сите навртки, завртки и шрафови
- Заменете ги или поправете ги во нашиот овластен сервисен центар оштетените или изабените делови.

- Не вршете работи за одржување или поправка освен оние што се опишани во ова упатство за употреба. Сите други работи треба да се извршуваат од страна на овластен сервис на Makita.
- Користете само оригинални делови Makita за замена и додатоци наменети за вашата машина. Во спротивно, може да дојде до телесна повреда или оштетување на машината.
- Складирајте ја машината во сува просторија. Чувајте ја настрана од дофат на деца. Никогаш не чувајте ја машината надвор.

Вибрации

- Кај лица со слаба циркулација што се изложени на прекумерни вибрации, може да настане повреда на крвните садови или на нервниот систем. Вибрациите можат да предизвикаат појава на следните симптоми во прстите, дланките или зглобовите на рацете: „поспаност“ (отрпнатост), морници, болка, чувство на боцкање, промена на бојата на кожата или промени на кожата. Доколку дојде до појава на овие симптоми, посетете лекар.
- За да го намалите ризикот од „болест на бели прсти“, одржувајте ги вашите дланки топли за време на работата и добро одржувајте ги опремата и додатоците.

⚠ ПРЕДУПРЕДУВАЊЕ:

- Оваа машина произведува електромагнетно поле за време на работата. Се препорачува лицата со медицински импланти да се посоветуваат со нивните лекари и со производителите на имплантите пред да започнат со користење на оваа машина. Во спротивно, електромагнетното поле може да влијае врз медицинските импланти и да резултира со сериозна повреда.

СКЛОПУВАЊЕ

⚠ ВНИМАНИЕ:

- Пред да работите на алатот, секогаш проверувајте дали машината е исклучена и откачена од струја.

Составување на шипката на рачката (Сл. 2, 3)

- 1) Прицврстете ја долната шипка на рачката (4) на машината со копчињата (11).
- 2) Ставете ја горната шипка на рачката (3) на долната шипка на рачката, а потоа прицврстете ги со двата разделника, со навртката и со лостот (7).
- 3) Прицврстете го кабелот со клиповите (8) на шипката на рачката.

Составување на корпата за трева

Составување на корпата за трева

⚠ ВНИМАНИЕ:

- Не работете со машината без корпа за трева. Во спротивно, исфрлен предмет може да предизвика повреда.
- Кај уредите со задно празнење со издадени задни ролери, кога се користат без корпа, потребно е да се носи целосна заштита за очите.

НАПОМЕНА:

- Изведбата на машината се намалува кога корпата за трева е полна. Редовно празнете ја корпата пред целосно да се наполни.

Монтирање на корпата за трева

Повлечете го нагоре штитникот (10) и држете го. Вметнете ги куките на корпата за трева во жлебовите на машината.

Вадење на корпата за трева

Повлечете го нагоре штитникот (10) и држете го. Извадете ја корпата за трева со олабавување на куките од жлебовите на машината.

Држач за кабел (Сл. 4)

Држач за кабел (5) помага да се спречи заплеткување на кабелот во сечилото или тркалото.

Направете мала јамка на крајот од кабелот за струја, за да спречите случајно пресекување на кабелот. Се претрете ја низ отворот на стегачот за кабел, а потоа закачете го на куката.

Додека работите, секогаш земајте ја предвид позицијата на кабелот. Започнете со вашата работа од најблиската точка на напојувањето со струја, за да спречите случајно пресекување на кабелот. Се препорачува кабелот да го држите преку вашето рамо за време на работата.

Вадење или монтирање на алатот за сечење

⚠ ВНИМАНИЕ:

- Носете заштитни ракавици.
- Бидете особено внимателни кога ракувате со алатот за сечење. Тој е многу остар и може да се вжешти за време на работата.
- Секогаш користете соодветен алат за сечење, во согласност со вашата работа.
- Пред да започнете со работа, проверете дали се добро стегнати двете навртки кои го држат прицврстен алатот за сечење на машината. Не користете ја машината ако навртките се лабави или пак недостасуваат. Ако се оштетени, веднаш заменете ги.

Вадење на алатот за сечење

- 1) Извадете ја корпата за трева (9).
- 2) Извадете ја рачката од машината.
- 3) Превртете ја машината на рамна површина.

- Олабавете ги двете завртки (14). Изведете ги заедно со шајбните со пружина.
- Подигнете го лежиштето на алатот за сечење (15) и повлечете го алатот за сечење (13) од осовината (16).

Монтирање на алатот за сечење

- Вметнете го алатот за сечење лизгајки го неговиот дел со шестоаголна навртка во вдлабнатината на осовината.
- Прицврстете го лежиштето на машината со завртките и шајбните со пружина.

ФУНКЦИОНАЛЕН ОПИС

⚠ ПРЕДУПРЕДУВАЊЕ:

- **Пред да ја вклучите машината во струја, секогаш проверувајте дали е исклучена. Вклучувањето на машината во струја со вклучен прекинувач може да предизвика неочекувано вклучување што може да предизвика сериозна повреда.**
- **Никогаш не користете ја машината ако кабелот за струја е оштетен. Во спротивно, тоа може да предизвика струен удар.**
- **Не користете ја машината ако прекинувачот не се вклучува и исклучува. Дефектните прекинувачи треба да бидат заменети од страна на овластен сервисен центар на Makita.**

Лост за вклучување/исклучување

За да ја вклучите машината, притиснете и држете го копчето за блокирање (2), а потоа целосно повлечете го лостот за вклучување/исклучување (1) и држете го. Откако ќе го повлечете лостот за вклучување/исклучување, не треба да го држите копчето за блокирање.

За да ја исклучите машината, едноставно отпуштете го лостот за вклучување/исклучување.

Приспособување на аголот на рачката

Можете да го промените аголот на горната шипка на рачката.

- Одблокирајте ги стегите на рачката (6).
- Приспособете го аголот на горната шипка на рачката (3).
- Блокирајте ги повторно стегите на рачката.

Приспособување на висината

Во зависност од тоа во каква состојба е тревата, приспособете ја висината на алатот за сечење. Погледнете ја табелата подолу како една груба насока за поставките за длабочина.

| Висина | Употреба | |
|--------|---|--|
| | Скарификација | Прекопување (незадолжителен прибор) |
| +5 мм | За транспорт и складирање. Скарификација на чувствителна зелена површина. Отстранување тенки слоеви трева. Втора операција на скарификација во текот на есента. | За транспорт и складирање. Прекопување нормална зелена површина. |
| 0 мм | Скарификација на нормална зелена површина. Отстранување нормален слој. | Прекопување цврста, дебела зелена површина. |
| -5 мм | Скарификација на нормална зелена површина. Отстранување дебел слој. | НЕ користете за операција на прекопување. |
| -10 мм | Скарификација на цврста, дебела зелена површина. Отстранување дебел слој. | НЕ користете за операција на прекопување. |

Менување на висината

Турнете го лостот за приспособување на висината (12) на надвор и поместете го во саканата позиција.

Заштита од преоптоварување

Оваа машина е опремена со заштита од преоптоварување и работи според следните услови:

- Алатот за сечење се затнува бидејќи исечените материјали се таложат околу него.
- Машината се обидува да исече повеќе отколку што моторот поддржува.
- Нешто го попречува вртењето на алатот за сечење.

Кога оваа заштита ќе проработи, машината автоматски се исклучува.

Ако ова се случи, исклучете ја машината од струја, почekaјте да се излади и отстранете ја причината за преоптоварувањето пред повторно да ја вклучите.

ФУНКЦИОНИРАЊЕ

Совети за работа:

- Исечете ја тревата пред да почнете со работа и нагубрете ја по работата.

- Приспособете ја длабочината на алатот за сечење според висината на тревата и временските услови.
- Избегнувајте да работите на водена трева. Таа има тенденција да се лепи на отворот за празнење и на другите делови на машината. Исто така, може да се лизнете и да паднете.
- Не движете се многу брзо. Туркајте ја машината бавно. Во спротивно, отворот за празнење може да се затне и моторот да се преоптовари.
- Работете во права линија колку што е тоа возможно.
- Правете скарифицирани линии кои по малку се преклопуваат една со друга. Со тоа ќе се постигне рамна и мазна површина.
- Кога во работната област има леи за цвеќиња, направете круг или два околу леата.
- Бидете особено внимателни кога ја вртите машината.
- Не останувајте во една позиција. Со тоа ја уништувате тревата.

Совети за скарификација:

- Секогаш земајте ги предвид временските услови. Топлото, сончево и влажно време е добро за скарификација бидејќи зелената површина може да се обнови на здрав начин. Од друга страна, треба да избегнувате скарификација кога е студено, жешко или суво.
- Зелената површината се скарифицира во пролет.
- Доколку летото е влажно, треба да извршите скарификација во рана есен.
- Во периоди кога е екстремно жешко, не треба воопшто да вршите скарификација.
- Ако летото е многу суво, не треба да вршите скарификација во есен.

Совети за прекопување:

- На површината околу корените на тревата и е потребна голема количина воздух за да може здраво да расте во текот на пролетта.
- Се препорачува да се врши аерација на зелената површина на секои 4 – 6 седмици, во зависност од нејзината состојба.

ОДРЖУВАЊЕ

⚠ ВНИМАНИЕ:

- Секогаш проверувајте дали машината е исклучена и откачена од струја пред да вршите проверка или операции за одржување.
- Носете заштитни ракавици пред да вршите проверка или операции за одржување.
- Сечилото застанува веднаш по исклучувањето. Почекајте додека не сопрат сите делови

пред да извршите каква било операција за одржување.

- Проверете дали се отстранети сите алати по вршењето операции за одржување.
- Никогаш не користете бензин, растворувач, алкохол или слично за чистење. Може да дојде до губење на бојата, деформација или пукнатини. За да ја исчистите машината, користете само влажна крпа и мека четка.
- Не користете црево со вода и не чистете ја машината со вода под висок притисок.

При транспорт, обрнете внимание на следните работи:

- Исклучете го моторот, откачете ја машината од струја и почекајте да сопне алатот за сечење.
- Приспособете ја длабочината на алатот за сечење на висината потребна при транспорт.
- Машината секогаш транспортирајте држејќи ја за нејзината рачка.
- Избегнувајте тешки потреси или силни вибрации.
- Прицврстете ја машината добро доколку треба да ја товарите во возило.

После секоја операција, направете ги следните чекори:

- Исклучете го моторот, откачете ја машината од струја и почекајте да сопне алатот за сечење.
- Исчистете ја корпата за трева. Складирајте ја во сува просторија.
- Проверете ја, исчистете ја и складирајте ја машината во сува просторија.

Следните работи треба да ги правите редовно:

- Проверете дали се добро стегнати сите стегачи, како на пример, шрафови, навртки итн.
- Проверете дали има дефекти, на пример, лабави, изабени или оштетени делови. Заменети ги ако е потребно.
- Проверете дали се оштетени или деформирани капаците и штитниците.
- Ако машината започне да вибрира невообичаено за време на работата, тоа може да е предизвикано од неврамнотежен или деформиран алат за сечење поради влијание од надворешни предмети. Доколку дојде до тоа, алатот за сечење треба да го поправите или замените во овластен сервисен центар.
- Алатот за сечење се аби со текот на времето. Редовно проверувајте ја состојбата на алатот за сечење и неговата стабилност. Заменете го доколку е изабен или истапен.
- Исчистете ги и подмачкајте ги сите зашрафени делови пред да ја складираете.

ПРЕДУПРЕДУВАЊЕ: Пред да започнете со решавање на проблеми, исклучете ја машината, откачете ја од струја и почекајте целосно да сопре.

| Проблем | Можна причина | Поправка |
|---|--|--|
| Машината не се вклучува. | Не е вклучена во струја. | Вклучете ја во струја. |
| | Дефектен кабел за струја. | Веднаш исклучете ја од струја. Побарајте поправка од вашиот овластен сервисен центар за Makita. |
| | Дефектно електрично коло. | Побарајте поправка од вашиот овластен сервисен центар за Makita. |
| | Копчето за блокирање не може да се притисне. | Притиснете го копчето за блокирање и повлечете го лостот рачката за вклучување/исклучување. |
| Се слушаат звуци на крцкање од машината. | Во алатот за сечење е заглавен надворешен предмет. | Исклучете го моторот, откачете ја машината од струја и почекајте да сопре алатот за сечење. Потоа, отстранете го надворешниот предмет. |
| Се слушаат чудни звуци од машината. | Дефект на ременот за погон | Побарајте поправка од вашиот овластен сервисен центар за Makita. |
| Машината не ја достигнува својата максимална моќност. | Изворот на струја има понизок напон од оној што е потребен. | Пробајте со друг извор на струја. Проверете дали се користи соодветен извор на струја. |
| | Затната е вентилацијата. | Исчистете ги отворите за вентилација. |
| Слаб резултат. | Тревата е превисока. | Искосете ја тревата пред да вршите скарификација. |
| | Алатот за сечење е изабен или оштетен. | Заменете го. |
| | Скарифицираната површина го надминува капацитетот на машината. | Скарифицирајте само површина која е во согласност со капацитетот на машината. |
| | Скарифицираната длабочина не е правилна. | Приспособете ја длабочината на алатот за сечење. |

⚠ ВНИМАНИЕ:

- Овие додатоци или прилози се препорачани за употреба со алати Makita наведени во овој прирачник. Користењето какви било други додатоци или прилози може да претставува ризик од телесни повреди. Додатоците или прилозите користете ги само за она за кое се наменети.
- Доколку ви е потребна каква било помош или повеќе податоци за овие додатоци, обратете се во вашиот локален сервисен центар за Makita.

Постојат неколку видови алати за сечење:

- Сечило за скарификација - остриот раб на сечилото ја скарифицира површината и ги сече корените.
- Сечило за прекопување (незадолжителен прибор) - отстранување на тревата и листовите со фини игли.
- Сечило 2 во 1 (незадолжителен прибор) - Прекопување и скарификација во исто време.

НАПОМЕНА:

- Некои производи на листата можеби се вклучени во пакетот со алатот како стандардни додатоци. Тие може да се разликуваат од земја до земја.

Само за европски земји

Потврда за сообразност на ЕК

Makita изјавува дека следнава машина(и):

Назив на машината:

Електричен скарификатор

Бр. на модел / Вид: UV3600

се сообразни со следните европски директиви:

2000/14/ЕК изменета со 2005/88/ЕК, 2006/42/ЕК,
2004/108/ЕК, 2011/65/ЕУ

Тие се произведени во согласност со следниов стандард или стандардизирани документи:

EN60335, EN13684

Техничката датотека во согласност со 2006/42/ЕК е достапна од:

Makita, Jan-Baptist Vinkstraat 2, 3070, Белгија

Постапката за оценување на сообразноста што се бара согласно Директивата 2000/14/ЕК е во согласност со анекс V.

Измерено ниво на јачина на звук: 99,53 дБ (А)

Гарантирано ниво на јачина на звук: 104 дБ (А)

21.11.2014



Yasushi Fukaya

Директор

Makita, Jan-Baptist Vinkstraat 2, 3070, Белгија

AVERTISMENT: Acest aparat poate fi utilizat de către copiii de peste 8 ani și persoanele cu capacități fizice, senzoriale sau mentale reduse sau care nu au experiență sau nu dețin cunoștințele necesare, cu condiția să fie supravegheate și instruite cu privire la utilizarea în siguranță a aparatului și să conștientizeze pericolele pe care le implică utilizarea. Li se va interzice copiilor să se joace cu aparatul. Este interzisă efectuarea lucrărilor de curățare și de întreținere de către copiii nesupravegheați.

IDENTIFICAREA COMPONENTELOR (Fig. 1)

- | | | |
|-----------------------------------|-----------------------------------|-----------------------------|
| 1. Maneta de pornire/oprire | 7. Manetă de blocare | 13. Dispozitiv de tăiere |
| 2. Buton de blocare | 8. Clemă (2 bucăți) | 14. Șurub și șaiță elastică |
| 3. Segment superior al ghidonului | 9. Colector de iarbă | 15. Rulment |
| 4. Segment inferior al ghidonului | 10. Apărătoare deflector | 16. Ax de antrenare |
| 5. Clemă de fixare a cablului | 11. Buton | |
| 6. Clemă ghidon | 12. Manetă de reglare a înălțimii | |

DATE TEHNICE

| | |
|---|---|
| Denumire model | UV3600 |
| Tensiune | 230-240 V |
| Frecvență | 50 Hz |
| Putere nominală | 1.800 W |
| Greutate netă | 15,3 kg |
| Turație la mers în gol | 3.500 min ⁻¹ |
| Lățime maximă de tăiere | 360 mm |
| Adâncime de lucru | 4 trepte (-10/-5/0/5 mm) |
| Capacitatea colectorului de iarbă | 40 l |
| Clasă de protecție | IPX4 |
| Nivel de presiune acustică | 81,24 dB (A), K= 2,50 dB (A) |
| Nivel de presiune acustică perceput de operator | 85,5 dB (A), K= 2,50 dB (A) |
| Nivel de putere acustică măsurat | 99,53 dB (A), K= 4,50 dB (A) |
| Nivel de putere acustică garantat | 104 dB (A) |
| Vibrații | 4,673 m/s ² , K=1,5 m/s ² |

SIMBOLURI

Mai jos sunt prezentate simbolurile utilizate pentru mașină. Asigurați-vă că înțelegeți semnificația acestora înainte de utilizare.



- Citiți manualul de instrucțiuni.



- Acordați o atenție deosebită.



- Dublă izolație.



- Purtați mănuși de protecție.



- Purtați cizme cu talpă antiderapantă.



- Purtați echipament de protecție oculară și auditivă.



- Așteptați până când toate piesele se opresc complet.



- Atenție la dispozitivele de tăiere ascuțite!



- Opriți motorul și scoateți cablul de alimentare din priză înainte de a efectua lucrări de întreținere sau curățare sau dacă este deteriorat cablul de alimentare.



- Atenție la obiectele aruncate la viteză mare!



- Nu lăsați persoanele străine sau animalele să stea în apropierea zonei de lucru.



- Nu expuneți la ploaie sau umezeală.



- Scoateți imediat ștecărul din priză în cazul în care cablul de alimentare se deteriorează sau se taie.



- Pericol de electrocutare!



- Nu țineți cablul în apropierea dispozitivelor de tăiere sau a roților.



- Numai pentru țările UE
Nu aruncați echipamentul electric împreună cu deșeurile menajere obișnuite!
Conform directivei europene privind deșeurile de echipamente electrice și electronice și implementarea acestora în conformitate cu legislația națională, echipamentele electrice care urmează să fie scoase din uz trebuie să fie colectate separat și predate unui centru de reciclare care respectă siguranța mediului înconjurător.

AVERTISMENTE CU PRIVIRE LA SIGURANȚĂ

CITIȚI CU ATENȚIE ÎNAINTE DE UTILIZARE
PĂSTRAȚI MANUALUL DE INSTRUCȚIUNI PENTRU A-L CONSULTĂ ULTERIOR



Nu puneți în funcțiune mașina înainte de a citi instrucțiunile de utilizare. Respectați toate instrucțiunile din manual și asamblați mașina conform descrierii.

Domeniu de utilizare

- Această mașină este destinată scarificării sau greblării solului din grădini.

- Scarificatorul este destinat exclusiv utilizării personale și nu utilizării comerciale. Nu îl utilizați nici în locuri publice.

Pentru sisteme publice de distribuție a energiei electrice de joasă tensiune între 220 V și 250 V.

Operațiile de comutare ale aparatului electric generează fluctuații ale tensiunii. Funcționarea acestui dispozitiv în condiții de alimentare electrică nefavorabile poate afecta funcționarea altor echipamente. Cu o impedanță a rețelei electrice mai mică de 0,412 Ohmi, se poate presupune că nu vor exista efecte negative. Priza de alimentare folosită pentru acest dispozitiv trebuie să fie protejată cu o siguranță fuzibilă sau un întrerupător de protecție cu caracteristică de declanșare lentă.

Instrucțiuni generale

- Citiți acest manual pentru a vă familiariza cu manevrarea mașinii. Manevrarea mașinii de către persoane insuficient informate crește pericolul de incendiu, electrocutare sau vătămare corporală a operatorului sau a altor persoane.
- Nu împrumutați mașina persoanelor fără experiență în utilizarea acestui tip de echipament.

- Atunci când împrumutați mașina, anexați și manualul de instrucțiuni.
- Mașina nu este destinată utilizării de către persoane cu capacități fizice, senzoriale sau mentale reduse sau de către persoanele care nu au experiență sau nu dețin cunoștințele necesare. Copiii mici vor fi supravegheați pentru a se asigura că nu se joacă cu mașina.
- Utilizați mașina numai dacă starea dumneavoastră de sănătate fizică este bună. Efectuați toate lucrările cu calm și atenție. Utilizatorul răspunde de siguranța tuturor persoanelor aflate în apropierea zonei de utilizare, precum și de eventualele daune produse.
- Nu utilizați niciodată mașina după ce ați consumat alcool sau medicamente sau dacă vă simțiți obosit ori sunteți bolnav.
- Luați pauze pentru a evita pierderea controlului pe fondul oboselii. Vă recomandăm să luați câte o pauză de 10-20 de minute la fiecare oră.
- Respectați aceste instrucțiuni și țineți cont de condițiile de lucru și de tipul operațiunii atunci când utilizați mașina. Utilizarea în alte scopuri decât cele prevăzute poate duce la situații periculoase.
- Legislația națională sau locală poate restricționa manevrarea mașinii.

- Fiți vigilenți. Concentrați-vă asupra lucrării pe care o efectuați. Fiți rațional și logic. Nu utilizați mașina atunci când sunteți obosit.

Echipamentul de protecție personală

- Purtați îmbrăcăminte adecvată. Aceasta trebuie să fie practică și adecvată, cu alte cuvinte să fie strânsă pe corp, dar să ofere libertate de mișcare. Nu purtați bijuterii sau îmbrăcăminte care s-ar putea agăța în piesele mașinii. Persoanele cu părul lung trebuie să poarte articole de protecție a părului.
- Purtați în permanență antifoane, pentru a vă proteja auzul.
- Purtați ochelari de protecție pentru a vă proteja ochii de obiectele și resturile aruncate de mașină.
- Purtați mănuși de protecție pentru a evita rănirea degetelor.
- Purtați mască antipraf pentru a preveni leziunile.
- Atunci când utilizați mașina, purtați încălțăminte rezistentă cu talpă antiderapantă. Astfel, veți fi protejat împotriva leziunilor și vă veți asigura un bun echilibru.
- Atunci când utilizați mașina, purtați încălțăminte solidă și pantaloni lungi. Nu utilizați mașina fără încălțăminte sau cu sandale decupate.

Siguranța zonei de lucru

- Nu lăsați copii și persoanele străine, inclusiv animalele, să

stea în apropierea zonei de utilizare a mașinii.

- Verificați dacă în zona de lucru există pietre, cabluri, sticlă sau corpuri străine. Acestea pot fi prinse sau aruncate de mașină și pot provoca pagube și vătămări corporale.
- Nu utilizați mașina decât în condiții de bună vizibilitate și lumină. Nu o utilizați pe întuneric sau ceață.
- Nu utilizați mașina în atmosfere explozive, de exemplu în prezența lichidelor, gazelor sau pulberilor inflamabile. Mașina generează scântei, care pot provoca aprinderea pulberilor sau vaporilor.
- Nu expuneți mașina la ploaie sau umezeală. Apa care pătrunde în mașină poate mări pericolul de electrocutare.

Pornirea mașinii

- Înainte de conectarea cablului de alimentare sau de pornirea mașinii:
 - Verificați cablul și fișa și asigurați-vă că sunt în bună stare.
 - Verificați dacă toate șuruburile, piulițele și elementele de fixare sunt bine strânse.
 - Verificați dacă dispozitivele de tăiere sunt corect amplasate și în bună stare de funcționare.
 - Verificați și buna funcționare a apărătorilor și dispozitivelor

de siguranță, cum ar fi defletoarele sau colectorul de iarbă.

- Verificați ca grilele de aerisire să nu fie acoperite de praf sau alte materiale străine. Îndepărtați depunerile cu o perie moale sau cu o lavetă.
- Încoluiți etichetele deteriorate sau ilizibile.
- Verificați cu atenție toate piesele mașinii pentru a stabili dacă funcționează corect și îndeplinesc funcțiile preconizate. Verificați mai ales butonul de pornire/oprire; dacă acesta nu funcționează corect, nu utilizați mașina.
- Pentru a împiedica pornirea accidentală, asigurați-vă că butonul este în poziția de oprire.
- Verificați dacă ați îndepărtat toate uneltele utilizate pentru diverse lucrări de întreținere, de exemplu cheia de reglare sau cheia de piulițe.
- În cazul în care cablul de alimentare este deteriorat, solicitați înlocuirea sa cu un cablu original la un centru de service autorizat Makita.
- Nu utilizați mașina dacă dispozitivele de siguranță, de exemplu apărătoarea deflectorului sau colectorul de iarbă, sunt deteriorate sau lipsesc.
- Atunci când porniți motorul:

- Nu țineți picioarele în apropierea dispozitivelor de tăiere.
- Nu înclinați mașina.
- Nu stați în fața orificiului de evacuare.
- Feriți mâinile, corpul și îmbrăcămintea de piesele aflate în mișcare.

Siguranța electrică

- Înainte de utilizare, verificați dacă fișa conectorului de pe mașină se potrivește cu priza de curent.
- Nu modificați fișa.
- Nu utilizați cablul în alte scopuri, de exemplu pentru a transporta, trage sau scoate din priză mașina. Feriți cablul de sursele de căldură, de ulei, de marginile ascuțite sau de piesele mobile. Un cablu deteriorat sau încurcat poate crește riscul de electrocutare.
- Verificați regulat izolația cablului prelungitor, pentru a identifica eventuale semne de deteriorare. Dacă izolația este deteriorată, înlocuiți cablul.
- Dacă este defect cablul de conectare, scoateți-l imediat din priză. Un cablu defect poate intra în contact cu piesele aflate sub tensiune și poate provoca șocuri electrice.
- Nu utilizați niciodată un cablu defect.
- Feriți cablul de alimentare și prelungitorul de dispozitivele de tăiere și de roți. Dispozitivele

de tăiere pot deteriora cablul și provoca șocuri electrice.

- Atunci când folosiți mașina în aer liber, utilizați un întrerupător de curent rezidual (RCD) cu un curent de funcționare de 30 mA sau mai puțin.
- Pentru utilizarea în aer liber, utilizați numai un cablu prelungitor prevăzut cu conector cu protecție împotriva stropilor de apă. Secțiunea transversală a conductorului trebuie să fie de cel puțin 1,5 mm² pentru cabluri de până la 25 m lungime și de 2,5 mm² pentru cabluri de peste 25 m lungime.
- Conectați mașina numai la o sursă de alimentare de aceeași tensiune cu cea indicată pe plăcuța cu date tehnice și utilizați numai o sursă de alimentare monofazică de curent alternativ. Mașinile au dublă izolație, conform normei europene, și, prin urmare, pot fi utilizate la prize fără fir de împământare.
- În timpul funcționării mașinii, evitați contactul fizic cu obiecte supraterane sau subterane (de exemplu țevi, conducte de încălzire, mașini de gătit, frigidere).

Utilizarea propriu-zisă

- Evitați să folosiți mașina pe iarbă umedă. Aveți mare grijă să nu alunecați atunci când lucrați pe iarbă umedă.
- Țineți ferm ghidonul cu ambele mâini în timpul utilizării. Pentru

a evita accidentele, ghidonul trebuie să fie în permanență curat și uscat.

- Nu alergați. Pășiți în ritm normal în timpul utilizării mașinii.
- Aveți grijă să nu vă dezechilibrați atunci când lucrați pe teren înclinat.
- Nu lucrați drept în sus sau în jos pe un teren înclinat. Urmați întotdeauna linia orizontală.
- Fiți atent mai ales atunci când întoarceți mașina pe un teren înclinat.
- Nu lucrați niciodată pe suprafețe abrupte.
- Fiți extrem de atent atunci când întoarceți sau trageți mașina către dumneavoastră.
- Mențineți o poziție normală a corpului. Adoptați o poziție stabilă și păstrați-vă echilibrul în permanență. Astfel, veți putea controla mai bine mașina în situații neașteptate.
- Nu uitați niciodată:
 - Nu țineți picioarele în apropierea dispozitivelor de tăiere.
 - Nu înclinați mașina.
 - Nu stați în fața orificiului de evacuare.
 - Feriți mâinile, corpul și îmbrăcămintea de piesele aflate în mișcare.
- Nu suprasolicitați mașina. Aceasta va funcționa mai bine și în condiții de siguranță la sarcina pentru care a fost concepută. Supraîncărcarea frecventă poate

provoca defectarea motorului sau incendii.

• Oprii motorul și scoateți cablul din priză:

- când lăsați mașina nesupravegheată
- înainte de a îndepărta un obiect blocat sau remedia o defecțiune
- înainte de a verifica și efectua lucrări de curățare sau reparație
- înainte de a efectua reglaje, schimba accesorii sau depozita mașina
- atunci când mașina se lovește de un corp străin. Așteptați ca motorul să se răcească. Verificați mașina și înlocuiți piesele necesare înainte de a repune mașina în funcțiune.
- dacă mașina începe să vibreze sau auziți zgomote neobișnuite
- înainte de a fixa sau demonta colectorul de iarbă
- când în zona de lucru pătrunde o altă persoană
- când traversați suprafețe acoperite cu alte plante
- în timpul transportării mașinii.

• Oprii dispozitivul de tăiere:

- dacă trebuie să înclinați mașina
- când traversați suprafețe acoperite cu alte plante
- când mutați mașina pe/de pe suprafețele pe care trebuie să le lucrați.

• Atenție la dispozitivele de tăiere! Acestea nu se opresc imediat după oprirea mașinii.

Instrucțiuni de întreținere

• Solicitați repararea mașinii la centrul nostru de service autorizat, cu mențiunea ca piesele înlocuite să fie originale. Lucrările de reparație incorecte și lipsa întreținerii pot scurta durata de viață a mașinii și pot crește pericolul producerii de accidente.

• Verificați mașina în mod regulat.

• Înainte de a executa lucrări de reparație, verificare, reglare, depozitare sau schimbare a accesoriilor, urmați pașii de mai jos:

- Oprii sursa de alimentare cu curent
- Scoateți cablul de alimentare din priză
- Verificați dacă toate piesele mobile s-au oprit complet
- Lăsați mașina să se răcească.

• Verificați mașina pentru a identifica eventualele defecte:

- Verificați dacă dispozitivele de siguranță funcționează corespunzător
- Verificați dacă toate piesele mobile funcționează ușor și corect
- Verificați dacă toate piesele sunt în bună stare și corect montate

- Verificați dispozitivul de tăiere pentru a detecta eventuale semne de deteriorare, uzură sau descentrare
 - Verificați în mod regulat colectorul de iarbă pentru a detecta eventuale semne de deteriorare sau uzură
 - Verificați dacă toate piulițele și șuruburile sunt bine strânse
 - Dacă există piese defecte sau uzate, solicitați înlocuirea sau repararea acestora la centrul nostru de service autorizat.
- Nu efectuați alte lucrări de întreținere sau reparație în afara celor descrise în acest manual. Orice altă lucrare trebuie executată la centrul de service autorizat Makita.
 - Folosiți numai piese de schimb și accesorii originale Makita special concepute pentru mașina dumneavoastră. În caz contrar, puteți suferi vătămări corporale sau mașina se poate defecta.
 - Păstrați mașina într-o încăpere uscată. Nu lăsați mașina la îndemâna copiilor. Nu depozitați mașina în aer liber.

Vibrații

- Persoanele cu probleme circulatorii expuse vibrațiilor excesive pot suferi leziuni ale vaselor sanguine sau ale sistemului nervos. Vibrațiile pot duce la apariția următoarelor simptome în degete, mâini sau încheieturi: insensibilitate (amorteală), furnicăături, durere, înțepături, modificări ale culorii sau aspectului pielii. Dacă apare vreunul dintre aceste simptome, consultați medicul.
- Pentru a reduce riscul apariției sindromului degetelor albe, mențineți-vă mâinile calde în timpul utilizării și păstrați în bună stare echipamentul și accesoriile.

⚠ AVERTISMENT:

- Această mașină produce un câmp electromagnetic în timpul funcționării. Se recomandă ca persoanele care poartă implanturi medicale să ceară sfatul medicului și al producătorului implantului înainte de a utiliza această mașină. În caz contrar, câmpul electromagnetic poate afecta implanturile medicale și poate cauza vătămări corporale grave.

ASAMBLAREA

⚠ ATENȚIE:

- Asigurați-vă întotdeauna că mașina este oprită și cablul de alimentare scos din priză înainte de a efectua lucrări asupra sa.

Asamblarea ghidonului (Fig. 2, 3)

- 1) Fixați segmentul inferior (4) pe mașină cu butoanele (11).
- 2) Așezați segmentul superior (3) pe segmentul inferior și fixați-le cu două distanțiere, piulița și manetă de blocare (7).
- 3) Fixați cablul cu clemele (8) pe ghidon.

Asamblarea colectorului de iarbă

- Nu puneți în funcțiune mașina fără colectorul de iarbă. În caz contrar, obiectele aruncate pot cauza vătămări corporale.
- În cazul aparatelor cu evacuare prin spate și role spate neprotejate, folosite fără colector, se va purta un echipament complet de protecție oculară.

OBSERVAȚIE:

- Eficiența mașinii scade atunci când colectorul de iarbă este plin. Goliți colectorul de iarbă în mod regulat, înainte de a se umple complet.

Montarea colectorului de iarbă

Ridicați și țineți apăritoarea deflectorului (10). Introduceți clemele de pe colector în fantele de pe mașină.

Demontarea colectorului de iarbă
Ridicați și țineți apăraoarea deflectorului (10). Îndepărtați colectorul de iarbă prin scoaterea clemelor din fantele de pe mașină.

Clema de fixare a cablului (Fig. 4)

Clema de fixare a cablului (5) are rolul de a preveni încurcarea cablului în cuțite sau în roți.
Faceți o buclă mică la capătul cablului de alimentare și treceți-o prin deschizătura clemei de fixare, apoi agățați-o pe cârlig.

Țineți întotdeauna cont de poziția cablului în timpul utilizării mașinii. Începeți să lucrați din punctul cel mai apropiat de sursa de alimentare, pentru a evita tăierea accidentală a cablului. Se recomandă să țineți cablul peste umăr în timpul utilizării mașinii.

Demontarea sau montarea dispozitivului de tăiere

⚠ **ATENȚIE:**

- Purtați mănuși de protecție.
- Fiți foarte atent atunci când manipulați dispozitivul de tăiere. Acesta este foarte ascuțit și se poate înfierbânta în timpul funcționării.
- Folosiți întotdeauna dispozitivul de tăiere adecvat lucrării pe care o efectuați.
- Înainte de a pune în funcțiune mașina, verificați dacă cele două șuruburi care fixează dispozitivul de tăiere pe mașină sunt bine strânse. Nu utilizați mașina dacă șurubul este slăbit sau dacă lipsește. Dacă este deteriorat, înlocuiți-l imediat.

Demontarea dispozitivului de tăiere

- 1) Demontați colectorul de iarbă (9).
- 2) Demontați ghidonul de pe mașină.
- 3) Așezați mașina pe o suprafață dreaptă, cu roțile în sus.
- 4) Deșurubați cele două șuruburi (14). Scoateți șuruburile și șaibele elastice.
- 5) Ridicați suportul rulmentului dispozitivului de tăiere (15) și trageți dispozitivul de tăiere (13) de pe axul de antrenare (16).

Montarea dispozitivului de tăiere

- 1) Introduceți dispozitivul de tăiere împingând piulița hexagonală în locașul de pe axul de antrenare.

- 2) Prindeți suportul rulmentului pe mașină cu șuruburile și șaibele elastice.

DESCRIEREA FUNCȚIILOR

⚠ **AVERTISMENT:**

- Înainte de a introduce cablul de alimentare în priză, asigurați-vă că mașina este oprită. Dacă butonul de pornire este acționat înainte de a introduce cablul în priză, mașina poate porni brusc, ceea ce poate cauza vătămări corporale grave.
- Nu utilizați mașina în cazul în care cablul de alimentare este defect. În caz contrar, se pot produce șocuri electrice.
- Nu utilizați mașina dacă butonul de pornire/oprire nu funcționează. Solicitați înlocuirea butoanelor defecte la un centru de service autorizat Makita.

Maneta de pornire/oprire

Pentru a porni mașina, țineți apăsat butonul de deblocare (2), trageți până la capăt maneta de pornire/oprire (1) și țineți-o în poziție. După ce ați tras maneta de pornire/oprire, nu mai este nevoie să țineți apăsat butonul de deblocare.

Pentru a opri mașina, trebuie doar să eliberați maneta de pornire/oprire.

Reglarea ghidonului

Puteți modifica unghiul segmentului superior al ghidonului.

- 1) Deblocați clemele ghidonului (6).
- 2) Reglați unghiul segmentului superior al ghidonului (3).
- 3) Blocați la loc clemele.

Reglarea înălțimii

Reglați înălțimea dispozitivului de tăiere în funcție de starea ierbii.

În tabelul de mai jos veți găsi valori aproximative pentru fixarea adâncimii.

| Adâncime | Operațiune | |
|----------|--|--|
| | Scarificare | Greblare (cu accesoriu opțional) |
| +5 mm | Transportare și depozitare. Scarificarea gazonului sensibil. Greblarea unui strat subțire de frunze și resturi vegetale. A doua operațiune de scarificare din toamnă. | Transportare și depozitare. Greblarea gazonului normal. |
| 0 mm | Scarificarea gazonului normal. Greblarea unui strat normal. | Greblarea gazonului gros. |
| -5 mm | Scarificarea gazonului normal. Greblarea unui strat gros. | A NU se folosi pentru greblare. |
| -10 mm | Scarificarea gazonului gros. Greblarea unui strat gros. | A NU se folosi pentru greblare. |

Modificarea înălțimii

Împingeți spre exterior maneta de reglare a înălțimii (12) și mișcați-o până ajungeți la înălțimea dorită.

Protecția la suprasarcină

Această mașină este prevăzută cu un dispozitiv de protecție la suprasarcină care se declanșează în următoarele situații:

- Dispozitivul de tăiere se blochează din cauza depunerii în jurul său a materialelor scarificate.
- Mașina încearcă să prelucreze mai mult material decât suportă motorul.
- Ceva împiedică rotirea dispozitivului de tăiere.

În momentul în care dispozitivul de protecție se declanșează, mașina se oprește automat.

În acest caz, scoateți cablul de alimentare din priză, așteptați ca mașina să se răcească și îndepărtați obstacolul înainte de a reporni mașina.

FUNCȚIONAREA

Indicații pentru utilizare:

- Tăiați iarba înainte de utilizare și puneți îngrășământ după utilizare.
- Reglați adâncimea dispozitivului de tăiere în funcție de înălțimea ierbii și de condițiile meteorologice.
- Evitați să folosiți mașina pe iarbă umedă. Aceasta are tendința de a se lipi de orificiul de evacuare și de alte părți ale mașinii. Poate cauza, de asemenea, alunecarea sau căderea.
- Nu vă deplasați prea repede. Împingeți mașina lent. În caz contrar, orificiul de evacuare se poate bloca, iar motorul se poate supraîncălca.
- Înaintați pe un rând cât mai drept posibil.
- Formați rânduri ușor suprapuse. Astfel, suprafața va fi uniformă și netedă.
- Dacă în zona în care lucrați există un strat de flori, faceți unul sau două cercuri în jurul stratului de flori.
- Aveți grijă mai ales când întoarceți mașina.

- Nu stați numai într-un loc. Puteți distruge iarba.

Indicații pentru operațiunea de scarificare:

- Țineți întotdeauna cont de condițiile meteorologice. Vremea caldă, însoțită sau ploioasă este potrivită pentru scarificare, deoarece gazonul va crește frumos. Evitați să lucrați pe frig, caniculă sau secetă.
- Executați operațiunea de scarificare primăvara.
- Dacă vara este ploioasă, scarificați gazonul la începutul toamnei.
- Nu executați scarificarea în perioade caniculare.
- Dacă vara este secetoasă, nu efectuați scarificarea în toamnă.

Indicații pentru operațiunea de greblare:

- Pentru o creștere sănătoasă în primăvară, rădăcinile ierbii au nevoie de mult aer.
- Se recomandă să efectuați operațiunea de aerare a gazonului o dată la fiecare 4 – 6 săptămâni, în funcție de starea gazonului.

ÎNȚEȚINEREA

⚠ ATENȚIE:

- Asigurați-vă că mașina este oprită și cablul de alimentare scos din priză înainte de a efectua lucrări de verificare sau întreținere.
- Purtați mănuși de protecție atunci când efectuați lucrări de verificare sau întreținere.
- Dispozitivul de tăiere nu se oprește imediat după oprirea mașinii. Așteptați ca toate piesele să se oprească înainte de a efectua lucrări de întreținere.
- Nu uitați să scoateți toate uneltele după ce ați efectuat lucrările de întreținere.
- Nu folosiți niciodată benzină, neofalină, diluant, alcool sau substanțe asemănătoare pentru a curăța mașina. Se pot produce decolorări, deformări sau fisuri. Pentru a curăța mașina, utilizați doar o lavetă umedă și o perie moale.

• Nu spălați mașina cu furtunul sau cu aparate de spălat cu înaltă presiune.

Atunci când transportați mașina, acordați atenție următoarelor aspecte:

- Opriți motorul, scoateți cablul de alimentare din priză și așteptați ca dispozitivul de tăiere să se opească.
- Reglați adâncimea dispozitivului de tăiere în funcție de înălțimea la care transportați mașina.
- Transportați mașina ținând-o de ghidon.
- Evitați loviturile sau vibrațiile puternice.
- Fixați bine mașina în cazul în care o transportați cu un vehicul.

Efectuați pașii de mai jos după fiecare utilizare:

- Opriți motorul, scoateți cablul de alimentare din priză și așteptați ca dispozitivul de tăiere să se opească.
- Curățați colectorul de iarbă. Păstrați mașina într-o încăpere uscată.
- Verificați, curățați și păstrați mașina într-o încăpere uscată.

Efectuați în mod regulat următoarele operațiuni:

- Verificați dacă toate elementele de fixare, cum ar fi șuruburile, piulițele etc., sunt bine fixate.
- Verificați dacă există defecțiuni, de exemplu piese slăbite, uzate sau deteriorate. Dacă este necesar, înlocuiți-le.
- Verificați ca apărătorile și dispozitivele de protecție să nu fie deteriorate sau deformat.
- Dacă mașina începe să vibreze în mod neobișnuit în timpul funcționării, cauza poate fi descentrarea sau deformarea dispozitivului de tăiere ca urmare a lovirii de corpuri străine. În acest caz, solicitați repararea sau înlocuirea dispozitivului de tăiere la un centru de service autorizat.
- Dispozitivul de tăiere se uzează în timp. Verificați în mod regulat starea și stabilitatea dispozitivului de tăiere. Înlocuiți-l dacă este uzat sau tocit.
- Curățați și lubrifiați toate părțile de îmbinare înainte de a depozita mașina.

REMEDIEREA PROBLEMELOR

AVERTISMENT: Înainte de a începe să remediați problemele, opriți mașina, scoateți cablul de alimentare din priză și așteptați ca mașina să se opească complet.

| Problemă | Cauză posibilă | Soluție |
|---|--|--|
| Mașina nu pornește. | Cablul de alimentare nu este conectat la priză. | Conectați cablul de alimentare la priză. |
| | Cablul de alimentare defect. | Scoateți cablul din priză imediat. Solicitați reparația acestuia centrului de service autorizat Makita din zona dumneavoastră. |
| | Circuit electric defect. | Solicitați repararea acestuia la centrul de service autorizat Makita din zona dumneavoastră. |
| | Butonul de deblocare nu este apăsat. | Apăsăți butonul de deblocare și trageți maneta de pornire/oprire. |
| Se aud pocnituri de la mașină. | Pe dispozitivul de tăiere s-au încurcat corpuri străine. | Opriți motorul, scoateți cablul de alimentare din priză și așteptați ca dispozitivul de tăiere să se opească. După aceea, îndepărtați corpurile străine. |
| Mașina scoate zgomote neobișnuite. | Cureaua de antrenare este defectă | Solicitați repararea sa la centrul de service autorizat Makita din zona dumneavoastră. |
| | Tensiunea sursei de alimentare este prea scăzută. | Utilizați altă sursă de alimentare. Verificați dacă sursa de alimentare este corespunzătoare. |
| Mașina nu dezvoltă puterea maximă. | Griile de aerisire sunt ancrasate. | Curățați griile de aerisire. |
| | Eficiență redusă. | Iarba este prea înaltă. |
| Dispozitivul de tăiere este uzat sau deteriorat. | | Înlocuiți-l. |
| Suprafața de lucru este mai mare decât capacitatea mașinii. | | Efectuați operațiunea de scarificare numai pe suprafețe egale cu capacitatea mașinii. |
| Adâncimea de scarificare nu este corectă. | | Reglați adâncimea dispozitivului de tăiere. |

⚠ ATENȚIE:

- Aceste accesorii sau piese suplimentare sunt recomandate pentru unealta Makita prezentată în acest manual. Utilizarea altor accesorii sau piese suplimentare poate reprezenta un pericol de vătămare corporală. Utilizați accesoriile numai în scopurile descrise.
- Dacă aveți nevoie de asistență sau mai multe informații cu privire la aceste accesorii, adresați-vă centrului de service Makita din zona dumneavoastră.

Există mai multe tipuri de dispozitive de tăiere:

- Cuțit de scarificare - marginea ascuțită a cuțitului este folosită pentru scarificarea solului și tăierea rădăcinilor.
- Lamă de greblare (accesoriu opțional) - cu dinți subțiri, folosită pentru îndepărtarea resturilor de iarbă și a frunzelor.
- Lamă 2 în 1 (accesoriu opțional) - greblare și scarificare în același timp.

NOTĂ:

- Unele articole din listă pot fi livrate odată cu unealta ca accesoriu standard. Acestea pot diferi de la o țară la alta.

Numai pentru țările din Europa

Declarație de conformitate CE

Makita declară că următoarea mașină/următoarele mașini:

Denumirea utilajului:

Scarificator electric

Nr. model/tip: UV3600

că este/sunt în conformitate cu următoarele directive europene:

2000/14/CE modificată prin 2005/88/CE, 2006/42/CE, 2004/108/CE, 2011/65/UE

Declarăm că este/sunt fabricat(e) în conformitate cu următoarele standarde sau documente standardizate:

EN60335, EN13684

Fișierul tehnic conform 2006/42/CE poate fi obținut de la:

Makita, Jan-Baptist Vinkstraat 2, 3070, Belgia

Procedura de evaluare a conformității, solicitată de Directiva 2000/14/CE, corespunde anexei V.

Nivel de putere acustică măsurat: 99,53 dB (A)

Nivel de putere acustică garantat: 104 dB (A)

21.11.2014



Yasushi Fukaya
Director

Makita, Jan-Baptist Vinkstraat 2, 3070, Belgia

УПОЗОРЕЊЕ: Овај уређај смеју да користе деца узраста од 8 година навише и особе са смањеним физичким, чулним или менталним способностима или недостатком искуства и знања ако то чине под надзором или уз упутства за коришћење уређаја на безбедан начин и разумеју опасности до којих може да дође. Деца не смеју да се играју уређајем. Чишћење и корисничко одржавање не смеју да спроводе деца без надзора.

НАЗИВИ ДЕЛОВА (Сл. 1)

- | | | |
|--|-------------------------|------------------------------------|
| 1. Ручица за покретање/ заустављање | 6. Стега рукохвата | 12. Полуга за подешавање висине |
| 2. Сигурносно дугме | 7. Ручица | 13. Алат за сечење |
| 3. Горњи стуб рукохвата | 8. Спојница (x2) | 14. Равна и еластична подлошка |
| 4. Доњи стуб рукохвата | 9. Сакупљач траве | 15. Лежај |
| 5. Додатак за смањење напрезања кабла | 10. Одбојник за заштиту | 16. Погонска осовина |
| | 11. Завртањ | |

ТЕХНИЧКИ ПОДАЦИ

| | |
|--|--|
| Назив модела | UV3600 |
| Напон | 230-240 V |
| Фреквенција | 50 Hz |
| Номинална улазна снага | 1.800 W |
| Укупна тежина | 15,3 kg |
| Број обртаја без оптерећења | 3.500 min ⁻¹ |
| Максимална ширина сечења | 360 mm |
| Опсег висине рада | 4 корака (-10/-5/0/5 mm) |
| Запремина сакупљача траве | 40 L |
| Класа заштите | IPX4 |
| Ниво звучног притиска | 81,24 dB(A), K= 2,50 dB(A) |
| Ниво звучног притиска на уху корисника | 85,5 dB(A), K= 2,50 dB(A) |
| Измерени ниво буке | 99,53 dB(A), K= 4,50 dB(A) |
| Гарантовани ниво буке | 104 dB(A) |
| Вибрације | 4,673 m/s ² , K= 1,5 m/s ² |

СИМБОЛИ

У наставку су дати симболи који се налазе на машини. Обавезно се упознајте са њиховим значењем пре употребе.



• Прочитајте приручник са упутствима.



• Двострука изолација.



• Носите заштитне рукавице.



• Обратите посебну пажњу.



- Носите чврсту обућу која се не клиза.



- Носите заштиту за очи и уши.



- Сачекајте док се делови машине у потпуности не зауставе.



- Обратите посебну пажњу на оштре алате за сечење.



- Искључите мотор и ископчајте утикач пре чишћења и одржавања, или ако се кабл за напајање оштети.



- Предмети се могу избацити великом брзином.



- Одржавајте безбедно растојање између других особа или кућних љубимаца у радном подручју.



- Немојте да излажете киши или влази.



- Ископчајте утикач из струјне утичнице одмах ако се кабл оштети или исече.



- Ризик од струјног удара.



- Одржите кабл подаље од алата за сечење или точкова.



- Само за државе ЕУ
Немојте да одлажете електричне уређаје заједно са комуналним отпадом!
У складу са Директивом Европске уније о отпаду који се састоји од електричних и електронских уређаја и њеном имплементацијом у складу са националним законом, електрични уређаји који су достигли крај радног века се морају прикупити засебно и вратити постројењу за рециклажу.

БЕЗБЕДНОСНА УПОЗОРЕЊА

**ПАЖЉИВО ПРОЧИТАЈТЕ ПРЕ УПОТРЕБЕ
САЧУВАЈТЕ ПРИРУЧНИК СА УПУТСТВИМА ЗА БУДУЋУ УПОТРЕБУ**



Немојте да почнете са употребом машине док не прочитате ово упутство за коришћење. Поштујте сва упутства и инсталирајте машину као што је описано.

Намена машине

- Ова машина је намењена за чишћење или грабуљање траве.

- Вертикулатор је намењен искључиво за личну употребу, а не за комерцијалну. Такође немојте да је користите.

За јавне дистрибутивне системе ниског напона између 220 V и 250 V.

Активирање/деактивирање рада електричних уређаја изазива промене напона. Рад овог уређаја у неповољним условима напајања може имати нежељене ефекте на друге уређаје. Уз импедансу напајања једнаку или мању од 0,412 Ohm, може се претпоставити да неће бити негативних ефеката. Струјна утичница која се користи за овај уређај мора бити заштићена осигурачем или склопком са спорим карактеристикама активирања.

Општа упутства

- Прочитајте овај приручник са упутствима да бисте се упознали са руковањем машином. Руковање машином од стране корисника који нису довољно информисани повећава ризик од пожара, струјног удара или повређивања, како себе тако и других.
- Немојте да позајмљујете машину особама које нису искусне у коришћењу.
- Приликом позајмљивања машине, увек приложите и овај приручник са упутствима.

- Машина није намењена за употребу од стране особа са смањеним физичким, сензорним и менталним способностима, или недостатком искуства и знања. Деца треба да буду под надзором како би се осигурало да се не играју машином.
- Користите само ако се налазите у добром физичком стању. Рад обављајте смирено и пажљиво. Корисник је одговоран за безбедност свих особа и оштећење унутар радног подручја.
- Никада немојте да користите ову машину након употребе алкохола или дрога, или ако се осећате уморно или болесно.
- Одморите се да бисте спречили губитак контроле изазван замором. Препоручујемо да на сваких сат времена узмете одмор од 10 до 20 минута.
- Користите машину у складу са овим упутствима, узимајући у обзир радне услове и примену. Употреба машине која није у складу са наменом може довести до опасне ситуације.
- Национални или локални прописи могу ограничити руковање машином.
- Будите опрезни. Обратите пажњу на оно што радите. Користите здрав разум. Немојте да користите машину када сте уморни.

Лична заштитна опрема

- Обуците се прикладно. Одећа треба да буде функционална и одговарајућа, тј. треба да приања али не да изазива знојење. Немојте да носите ни накит ни одећу која се може упетљати у машину. Носите заштиту за косу за задржавање дуге косе.
- Увек носите заштиту за уши да бисте избегли губитак слуха.
- Носите заштитне наочаре или визир да бисте заштитили очи од летећих предмета и остатака.
- Носите заштитне рукавице да бисте спречили повреду прстију.
- Носите маску за заштиту од прашине да бисте смањили ризик од повреде.
- Приликом коришћења машине, увек носите чврсту обућу која се не клиза. То вас штити од повреда и обезбеђује добар ослонац.
- Док користите машину, увек носите чврсту обућу и дуге панталоне. Немојте да користите машину босоноги или док носите отворене сандале.

Безбедност у радном подручју

- Децу и друге особе у околини, као и животиње, држите на одстојању током коришћења машине.

- Проверите да ли на радном подручју нема камења, жица, стакла и других страних предмета. Машина може захватити или избацити страни предмет, што може довести до оштећења или повреде.
- Машину користите при доброј видљивости и искључиво у условима дневног светла. Немојте да користите машину у мраку или магли.
- Немојте да користите машину у експлозивним условима, као што је у случају присуства запаљивих течности, гасова или паре. Машина ствара варнице које могу запалити пару или испарења.
- Немојте да излажете машину киши или влажним условима. Вода која уђе у машину може повећати ризик од струјног удара.

Покретање машине

- Пре прикључивања утикача или укључивања машине:
 - Проверите утикач и кабл и потврдите да се налазе у добром стању.
 - Проверите да ли су сви завртњи, матице и други делови за причвршћивање правилно затегнути.
 - Проверите да ли се алат за сечење налази на месту и у добром радном стању.
 - Проверите да ли штитници и безбедносни уређаји, као што су одбојник и сакупљач

траве, функционишу исправно.

- Проверите да ли отвори за вентилацију нису прекривени прашином или другим страним материјалима. Очистите их меком четком или крпом ако су блокирани.
- Замените оштећене и нечитке етикете.
- Пажљиво проверите све делове машине да бисте утврдили да ли правилно функционише и обавља намењену функцију. Нарочито, никада немојте да користите машину ако прекидач не ради исправно.
- Постарајте се да прекидач буде постављен на страну ради спречавања ненамерног покретања.
- Проверите да ли су сви алати за одржавање, као што је кључ или одвијач матица, уклоњени.
- Ако је кабл за напајање оштећен, затражите од овлашћеног сервиса компаније Makita да га замене, и увек користите оригиналне резервне делове.
- Никада немојте да користите машину, ако је безбедносни уређај, као што је одбојник или сакупљач траве, оштећен или недостаје.
- Приликом укључивања мотора:

– Стопала држите подаље од алата за сечење.

- Немојте да нагињете машину.
- Немојте да стојите испред отвора за пражњење.
- Никада немојте да стављате руке или друге делове тела или одеће у близини покретних делова.

Електрична безбедност

- Проверите да ли утикач машине одговара утичници пре употребе.
- Никада немојте да вршите измене на утикачу.
- Немојте да злоупотребљавате кабл. Никада немојте да користите кабл за ношење, повлачење или ископчавање машине. Кабл држите подаље од топлоте, уља, оштрих ивица и покретних делова. Оштећени и умршени каблови повећавају ризик од струјног удара.
- Редовно проверавајте продужни кабл ради оштећења на изолацији. Замените га ако је оштећен.
- Ако је кабл за повезивање оштећен, одмах ископчајте главни утикач. Оштећен кабл може изазвати контакт са деловима кроз које протиче струја као и струјни удар.
- Никада немојте да користите оштећени кабл.

- Кабл и продужни кабл држите подаље од алата за сечење и точкова. Алати за сечење могу оштетити кабл и изазвати струјни удар.
- Приликом коришћења машине на отвореном простору, увек користите заштитни уређај диференцијалне струје (RCD) са оперативном струјом од 30 mA или мање.
- Користите искључиво продужни кабл за употребу на отвореном простору са утикачем отпорним на влагу. Пресек мора бити најмање 1,5 mm² за каблове дужине до 25 m, и 2,5 mm² за каблове дужине преко 25 m.
- Машина треба да буде прикључена искључиво на довод струје истог напона као што је назначено на плочици, и може се користити искључиво на једнофазном напајању са наизменичном струјом. Машине су двоструко изоловане у складу са стандардом Европске уније, и стога, могу се користити и на утичницама без линије за уземљење.
- Избегавајте контакт тела са уземљеним површинама (нпр. цеви, радијатори, штедњаци, фрижидери).
- на влажној трави да бисте избегли клизање.
- Чврсто држите рукохват обема рукама током руковања. Рукохват одржавајте сувим и чистим ради спречавања инцидента.
- Немојте да трчите. Током руковања искључиво ходајте.
- Обратите посебну пажњу на ослонац када радите на косини.
- Немојте да радите под правим углом нагоре или надоле на косини. Увек радите дуж хоризонталне линије.
- Будите посебно пажљиви приликом окретања машине на косини.
- Никада немојте да радите на стрмој косини.
- Обратите изузетну пажњу приликом враћања или повлачења машине к себи.
- Немојте да пресегнете. Све време одржавајте добар ослонац и равнотежу. Ово омогућава бољу контролу над машином у неочекиваним ситуацијама.
- Никада не заборавите:
 - Стопала држите подаље од алата за сечење.
 - Немојте да нагињете машину.
 - Немојте да стојите испред отвора за пражњење.
 - Никада немојте да стављате руке или друге делове тела или одеће у близини покретних делова.

Руковање

- Избегавајте употребу на влажној трави. Обратите посебну пажњу када радите

- Немојте да примењујете силу на машини. Она боље и безбедније обавља посао брзином за коју је пројектована. Често преоптерећивање може изазвати оштећење мотора или пожар.
 - Искључите мотор и ископчајте кабл:
 - када остављате машину без надзора
 - пре отклањања блокаде или квара
 - пре провере, чишћења или рада на машини
 - пре било каквих измена, промена додатака или складиштења
 - када машина наиђе на страни предмет. Сачекајте док се машина не охлади. Прегледајте машину и замените делове према потреби пре настављања рада
 - када машина почне да вибрира или да прави неуобичајене звуке
 - када постављате или уклањате сакупљач траве
 - када неко уђе у радни простор
 - када прелазите преко друге површине осим траве
 - приликом транспорта.
 - Зауоставите алат за сечење:
 - ако је потребно да нагнете машину
 - када прелазите преко других површина осим траве
 - када преносите машину на и са површина на којима треба радити.
 - Обратите посебну пажњу на алате за сечење. Они се не заустављају одмах након искључивања.
- ### Упутства за одржавање
- Обезбедите сервисирање ваше машине од стране нашег овлашћеног сервисног центра, увек користећи оригиналне резервне делове. Неправилна поправка и лоше одржавање могу скратити радни век машине и повећати ризик за настанак инцидента.
 - Редовно прегледајте машину.
 - Пре сервисирања, прегледања, подешавања, складиштења или промене додатака, пратите следеће кораке:
 - искључите извор напајања
 - откопчајте машину са извора напајања
 - проверите да ли су се покретни делови у потпуности зауставили
 - дозволите машини да се охлади.
 - Прегледајте машину ради могућег оштећења:
 - да ли безбедносни уређаји раде исправно у оквиру своје намене
 - да ли сви покретни делови раде несметано и адекватно

- када сви делови нису оштећени и правилно су инсталирани
- проверите алат за сечење ради оштећења, похабаности и неравнотеже
- редовно проверавајте сакупљач траве ради оштећења или похабаности
- проверите да ли су све матице, завртњи и вијци чврсто затегнути
- Ако има оштећених или похабаних делова, замените или обавите поправку у нашем овлашћеном сервису.

• Немојте да обављате одржавање или поправке осим оних описаних у овом приручнику са упутствима. Сав рад треба да обави овлашћени сервисни центар компаније Makita.

• Користите искључиво оригиналне резервне делове и додатке компаније Makita намењене за вашу машину. У супротном, може доћи до повреде или оштећења машине.

• Машину складиштите у сувој просторији. Држите ван домашаја деце. Никаданемојте да складиштите машину на отвореном простору.

Вибрације

- Особе са лошом циркулацијом које су изложене прекомерним вибрацијама могу доживети повреду крвних судова или нервног система. Вибрације могу да изазову следеће симптоме који се јављају

на прстима, рукама или зглобовима: „Поспаност“ (обамрлост), трњење, бол, осећај пробадања, промене боје коже или коже. Ако се било који од ових симптома појави, обратите се лекару.

- Да бисте смањили ризик од „вибрационе болести“, руке одржавајте топлим током рада и добро одржавајте опрему и додатке.

⚠ УПОЗОРЕЊЕ:

- Ова машина производи електромагнетно поље током рада. Препоручује се да се особе са медицинским имплантатима обрате својим лекарима и произвођачима имплантата пре употребе ове машине. У супротном, електромагнетно поље може имати утицаја на медицинске имплантате и то може довести до озбиљне повреде.

САСТАВЉАЊЕ

⚠ ОПРЕЗ:

- Увек проверите да ли је машина искључена и да ли је кабл ископчан пре обављања било каквог рада на алату.

Састављање рукохвата (Сл. 2, 3)

- 1) Причврстите доњи рукохват (4) за машину завртњима (11).
- 2) Поставите горњи рукохват (3) на доњи рукохват, потом их причврстите користећи два одстојника, матицу и ручицу (7).
- 3) Затегните кабл спојницама (8) на стуб рукохвата.

Састављање сакупљача траве

⚠ ОПРЕЗ:

- Немојте да користите машину без сакупљача траве. У супротном, избачени предмет може изазвати повреду.
- Потпуна заштита за очисемора носити код уређаја са задњим испуштањем и изложеним задњим ваљцима када се користе без сакупљача.

НАПОМЕНА:

- Учинак машине је смањен када је сакупљач траве пун. Редовно празните сакупљач траве пре него што се у потпуности напуни.

Постављање сакупљача траве

Повуците одбојник за заштиту (10) и држите га. Убаците кукe сакупљача траве у усеке на машини.

Уклањање сакупљача траве

Повуците одбојник за заштиту (10) и држите га. Уклоните сакупљач траве ослобађањем кука из усека на машини.

Додатак за смањење напрезања кабла (Сл. 4)

Додатак за смањење напрезања кабла (5) помаже у спречавању да дође до хватања кабла сечивом или точком.

Направите малу петљу на крају струјног кабла и провучите га кроз отвор на додатку за смањење напрезања, потом га окачите о куку.

Увек положај кабла узмите у обзир током рада. Започните рад од најближе тачке напајању да бисте спречили случајно сечење кабла. Препоручује се да кабл држите преко рамена током рада.

Уклањање и постављање алата за сечење

⚠ ОПРЕЗ:

- Носите заштитне рукавице.
- Обратите посебну пажњу приликом руковања алатом за сечење. Он је веома оштар и може постати врућ током рада.
- Увек користите одговарајући алат за сечење у складу са вашим радом.
- Пре употребе, проверите да ли су два вијка, који држе алат за сечење на машини, чврсто затегнута. Немојте да користите машину ако су вијци лабави или недостају. Ако су оштећени, одмах их замените.

Уклањање алата за сечење

- 1) Уклоните сакупљач траве (9).
- 2) Уклоните рукохват са машини.
- 3) Окрените машину и поставите је на равну површину.
- 4) Олабавите два вијка (14). Уклоните њих и еластичне подлошке.

- 5) Подигните лежај алата за сечење (15), и потом извучите алат за сечење (13) из погонске осовине (16).

Постављање алата за сечење

- 1) Убаците алат за сечење тако што ћете убацили његову шестоугаону главу у отвор на погонској осовини.
- 2) Затегните лежај машине вијцима и кривим подлошкама.

ОПИС ФУНКЦИЈА

⚠ УПОЗОРЕЊЕ:

- Пре прикључивања машине на напајање, увек проверите да ли је машина искључена. Прикључивање машине док је прекидач укључен може изазвати неочекивано покретање што може довести до озбиљне повреде.
- Никада немојте да користите машину ако је кабл за напајање оштећен. У супротном, то може изазвати електрични удар.
- Немојте да користите машину ако је прекидач не укључује и искључује. Однесите машину у овлашћени сервисни центар компаније Makita ради замене поквареног прекидача.

Ручица за покретање/заустављање

За покретање машине, притисните и држите сигурносно дугме (2), потом у потпуности повуците ручицу за покретање/заустављање (1) и држите је. Када повучете ручицу за покретање/заустављање, није потребно више да држите сигурносно дугме. За заустављање машине, једноставно пустите ручицу за покретање/заустављање.

Подешавање угла рукохвата

Можете да промените угао горњег рукохвата

- 1) Откључајте стеге на рукохвату (6).
- 2) Подесите угао горњег рукохвата (3).
- 3) Поново закључајте стеге на рукохвату.

Подешавање висине

У зависности од стања траве, подесите висину алата за сечење.

Погледајте табелу испод за грубу назнаку подешавања дубине.

| Висина | Употреба | |
|--------|--|--|
| | Чишћење | Грабуљање (опциони додатак) |
| +5 mm | За транспорт и складиштење. Чишћење осетљивог травњака. Уклањање суве траве у танким слојевима. Друго уклањање у јесен. | За транспорт и складиштење. Грабуљање нормалног травњака. |
| 0 mm | Чишћење нормалног травњака. Уклањање суве траве у нормалном слоју. | Грабуљање густог травњака. |
| -5 mm | Чишћење нормалног травњака. Уклањање суве траве у густом слоју. | НЕМОЈТЕ да користите за грабуљање. |
| -10 mm | Чишћење густог травњака. Уклањање суве траве у густом слоју. | НЕМОЈТЕ да користите за грабуљање. |

Промена висине

Гурните ручицу за подешавање висине (12) ка споља, и померите је на жељени положај.

Заштита од преоптерећења

Ова машина је опремљена заштитом од преоптерећења, и она функционише под следећим условима:

- алат за сечење је блокиран јер се почишћен материјал накупио око њега.
- машина покушава да почисти више него што мотор може да поднесе.
- нешто спречава ротацију алата за сечење.

Када је ова заштита активна, машина се аутоматски искључује.

Ако се то догоди, ископчајте кабл за напајање, сачекајте док се машина не охлади и отклоните узрок преоптерећења пре рестартовања машине.

РУКОВАЊЕ

Савети за коришћење:

- Покосите траву пре коришћења и појубрите након коришћења.
- Подесите дубину алата за сечење у складу са висином траве и временским условима.
- Избегавајте употребу на влажној трави. Она се обично лепи на отвору за избацивање и другим деловима машине. Такође може изазвати клизање и пад.
- Немојте се кретати пребрзо. Полако гурајте машину. У супротном, отвор за пражњење се може запушити а мотор се може преоптеретити.
- Радите дуж праве линије што је више могуће.
- Нека се редови чишћења благо поклапају. То ће одржати једнаку и глатку површину.
- Када радно подручје обухвата област са цвећем, направите круг или два око области са цвећем.
- Будите посебно пажљиви приликом окретања машине.

- Немојте да остајете на једном месту. Тиме се оштећује трава.

Савети за чишћење:

- Увек узмите временске услове у обзир. Топло, сунчано и влажно време је добро за чишћење јер се травњак може повратити. Са друге стране, избегавајте хладно, врело и суво време.
- Чистите травњак у пролеће.
- Ако је лето влажно, чистите травњак у рану јесен.
- Суздржите се од чишћења током периода изузетно топлог времена.
- Ако је лето веома сушно, немојте да чистите у јесен.

Савети за грабуљање:

- За подручје око корења траве је потребна велика количина ваздуха да би се одржавао здрав раст на пролеће.
- Препоручује се да се аерација травњака обавља на сваких 4 – 6 недеља у складу са стањем травњака.

ОДРЖАВАЊЕ

⚠ ОПРЕЗ:

- Увек проверите дали је машина искључена и ископчана пре обављања прегледа или одржавања.
- Носите заштитне рукавице пре обављања прегледа или одржавања.
- Алат за сечење се не зауставља одмах након искључивања. Сачекајте док се сви делови не зауставе пре обављања одржавања.
- Постарајте се да су сви алати уклоњени након рада на одржавању.
- Никада немојте да користите бензин, разређивач, алкохол или слично за чишћење. Може доћи до обезбојења, деформације или напрслина. За чишћење машине користите искључиво влажну крпу и меку четку.
- Немојте да чистите машину водом под високим притиском.

Приликом транспорта машине, обратите пажњу на следеће ставке:

- Искључите мотор, ископчајте кабл и сачекајте док се алат за сечење не заустави.
- Подесите дубину алата за сечење на висину за транспорт.
- Увек транспортујте машину држећи је за рукохват.
- Избегавајте снажне ударце и јаке вибрације.
- Причврстите машину у случају да се преноси у возилу.

Обавите следеће кораке након сваког коришћења:

- Искључите мотор, ископчајте кабл и сачекајте док се алат за сечење не заустави.
- Очистите сакупљач траве. Складиштите га у сувој просторији.
- Проверите, очистите и складиштите машину у сувој просторији.

Редовно обављајте следеће:

- Проверите да ли су све спојке, као што су завртњи, матице, итд., чврсто затегнуте.
- Проверите да ли не постоје недостаци као што су лабави, похабани или оштећени делови. Замените их по потреби.
- Проверите да ли поклопци и штитници нису оштећени или деформисани.
- Ако машина током рада почне абнормално да вибрира, разлог може бити неуравнотежен или деформисан алат за сечење услед удараца страних предмета. Однесите алат за сечење на поправку у овлашћени сервисни центар ако се то догоди.
- Алат за сечење је похабан у току радног века. Редовно проверавајте стање алата за сечење и његову стабилност. Замените га ако је похабан или туп.
- Очистите и подмажите све завртње пре складиштења.

РЕШАВАЊЕ ПРОБЛЕМА

УПОЗОРЕЊЕ: Пре решавања проблема, искључите машину, ископчајте струјни утикач и сачекајте док се машина у потпуности не заустави.

| Проблем | Могући узрок | Решење |
|-------------------------------------|---|--|
| Машина се не покреће. | Напајање није прикључено. | Прикључите напајање. |
| | Неисправан кабл за напајање. | Одмах ископчајте. Затражите од локалног овлашћеног сервиса компаније Makita да га поправе. |
| | Квар на електричном колу. | Затражите од локалног овлашћеног сервиса компаније Makita да га поправе. |
| | Сигурносно дугме није притиснуто. | Притисните сигурносно дугме и повуците ручицу за покретање/заустављање. |
| Из машине се чују звуци ломљења. | Страни предмет је ухваћен у алату за сечење. | Искључите мотор, ископчајте кабл и сачекајте док се алат за сечење не заустави. Потом извадите страни предмет. |
| Из машине се чују чудни звуци. | Квар на погонском каишу | Затражите од локалног овлашћеног сервиса компаније Makita да га поправе. |
| Машина не достиже максималну снагу. | Извод напајања има нижи напон него што је потребно. | Покушајте са коришћењем другог извора напајања. Проверите да ли се користи одговарајући извор напајања. |
| | Отвори за вентилацију су запушени. | Очистите отворе за вентилацију. |
| Лош утикач. | Трава је превисока. | Покосите траву пре чишћења. |
| | Алат за сечење је похабан или оштећен. | Замените га. |
| | Површина за чишћење прекорачује капацитет машине. | Чистите искључиво површину која је у складу са капацитетом машине. |
| | Дубина чишћења није исправна. | Подесите дубину алата за сечење. |

⚠ ОПРЕЗ:

- Ова опрема или додаци су препоручени за употребу са вашим алатом компаније Makita наведеним у овом приручнику. Употреба било које друге опреме или додатака може представљати ризик од повреде. Опрему и додатке користите искључиво у њихове наведене сврхе.
- Ако вам је потребна помоћ или више информација у вези са овим додацима, обратите се локалном сервисном центру компаније Makita.

Постоји неколико врста алата за сечење:

- Сечиво за чишћење - оштра ивица сечива чисти земљу и сече корење.
- Сечиво за грабуљање (опциони додатак) - уклања травке и лишће помоћу финих игли.
- Сечиво 2 у 1 (опциони додатак) - грабуљање и чишћење у исто време.

ПАЖЊА:

- Неки предмети на овој листи су можда обухваћени у пакету алата као стандардни додаци. Они се могу разликовати од државе до државе.

Само за европске државе

**Изјава о усклађености са прописима ЕС
Makita изјављује да се следећи уређај:**

Назив машине:

Електрични вертикулатор

Бр. модела / тип: UV3600

усклађена са следећим Директивама Европске уније:

2000/14/ЕС са изменама 2005/88/ЕС, 2006/42/ЕС, 2004/108/ЕС, 2011/65/ЕУ

Произведен је у складу са следећим стандардом или стандардизованим документима:

EN60335, EN13684

Техничка евиденција у складу са 2006/42/ЕС је доступно од:

Makita, Jan-Baptist Vinkstraat 2, 3070, Белгија

Процедура процене усклађености према захтевима Директиве 2000/14/ЕС је спроведена у складу са Додатком V.

Измерена снага буке: 99,53 dB (A)

Гарантована снага буке: 104 dB (A)

21.11.2014



Yasushi Fukaya

директор

Makita, Jan-Baptist Vinkstraat 2, 3070, Белгија

ПРЕДОСТЕРЕЖЕНИЕ: Данное устройство можно использовать детям старше 8 лет и лицам с ограниченными физическими, чувственными или психическими способностями, а также неопытными или некомпетентными лицами, если они находятся под наблюдением или получают указания по безопасному использованию устройства и понимают связанные с этим опасности. Дети не должны играть с устройством. Чистка и техническое обслуживание пользователем не должны выполняться детьми без наблюдения.

НАЗНАЧЕНИЕ ЧАСТЕЙ (Рис. 1)

- | | | |
|----------------------------|------------------------------|----------------------------|
| 1. Рычаг пуска/остановки | 7. Рычаг | 13. Режущий инструмент |
| 2. Кнопка фиксации | 8. Зажим (x2) | 14. Болт и пружинная шайба |
| 3. Верхняя планка рукоятки | 9. Улавливатель травы | 15. Подшипник |
| 4. Нижняя планка рукоятки | 10. Кожух отражателя | 16. Ведущий вал |
| 5. Зажим шнура | 11. Ручка | |
| 6. Зажим рукоятки | 12. Рычаг регулировки высоты | |

ТЕХНИЧЕСКИЕ ДАННЫЕ

| | |
|---|--|
| Название модели | UV3600 |
| Напряжение | 230-240 В |
| Частота | 50 Гц |
| Номинальная входная мощность | 1800 Вт |
| Вес нетто | 15,3 кг |
| Скорость без нагрузки | 3500 мин ⁻¹ |
| Максимальная ширина резки | 360 мм |
| Рабочий диапазон высоты | 4 положений (-10/-5/0/5 мм) |
| Объем улавливателя травы | 40 л |
| Класс защиты | IPX4 |
| Уровень звукового давления | 81,24 дБ (А), К= 2,50 дБ (А) |
| Уровень звукового давления близи ушей оператора | 85,5 дБ (А), К= 2,50 дБ (А) |
| Измеренный уровень мощности звука | 99,53 дБ (А), К= 4,50 дБ (А) |
| Гарантированный уровень мощности звука | 104 дБ (А) |
| Вибрация | 4,673 м/с ² , К= 1,5 м/с ² |

СИМВОЛЫ

Ниже приведены символы, использующиеся для устройства. Перед использованием убедитесь, что Вы понимаете их значение.



• Прочитайте инструкцию по эксплуатации.



• Соблюдайте особую осторожность и будьте особенно внимательны.



- Двойная изоляция.



- Надевайте защитные перчатки.



- Наденьте прочную обувь с нескользящей подошвой.



- Используйте защиту для глаз и органов слуха.



- Подождите, пока части устройства полностью не остановятся.



- Будьте внимательны по отношению к острым режущим инструментам.



- Выключите двигатель и отсоедините от сети перед чисткой или техническим обслуживанием, а также в случае повреждения кабеля питания.



- Предметы могут выбрасываться с большой скоростью.



- Соблюдайте безопасное расстояние между окружающими людьми или животными и рабочей областью.



- Не подвергайте воздействию дождя или влаги.



- Немедленно отсоедините вилку от сети, если кабель питания поврежден или обрезан.



- Опасность поражения электрическим током.



- Держите шнур на расстоянии от режущих инструментов или колес.



- Только для стран ЕС
Не утилизируйте электрическое оборудование вместе с бытовым мусором! Согласно Европейской Директиве об утилизации электрического и электронного оборудования и для ее выполнения в соответствии с государственными законами, электрическое оборудование, срок службы которого истек, должно быть отдельно собрано и возвращено в пункт утилизации вторично используемого сырья с соблюдением требований охраны окружающей среды.

МЕРЫ ПРЕДОСТОРОЖНОСТИ ПО БЕЗОПАСНОСТИ

**ВНИМАТЕЛЬНО
ПРОЧИТАЙТЕ ПЕРЕД
ИСПОЛЬЗОВАНИЕМ
СОХРАНИТЕ ИНСТРУКЦИЮ
ПО ЭКСПЛУАТАЦИИ ДЛЯ
ДАЛЬНЕЙШИХ СПРАВОК**



Не начинайте работать с устройством, пока Вы не прочитаете эту инструкцию по эксплуатации. Выполняйте все приведенные инструкции и выполняйте установку устройства согласно описанию.

Предполагаемое использование устройства

- Данное устройство предназначено для скарифирования или рыхления в садах.
- Скарифikator предназначен только для частного, а не коммерческого использования. Также не используйте его в общественных местах.

Для низковольтных систем общего пользования напряжением от 220 В до 250 В.

Включение электрического устройства приводит к колебаниям напряжения. Использование данного устройства в неблагоприятных условиях электроснабжения может оказывать негативное влияние на работу другого оборудования. Если полное сопротивление в сети питания равно или менее, 0,412 Ом, можно предполагать, что данный инструмент не будет оказывать негативного влияния. Сетевая розетка, используемая для данного

инструмента, должна быть защищена предохранителем или прерывателем цепи с медленным размыканием.

Общие указания

- Прочитайте данную инструкцию по эксплуатации, чтобы ознакомиться с обращением с устройством. Обращение с устройством недостаточно и н ф о р м и р о в а н н ы х пользователей увеличивает опасность возгорания, поражения электрическим током и травмирования как себя, так и окружающих.
- Не давайте устройство людям, не имеющим соответствующего опыта.
- При передаче устройства обязательно прикрепите данную инструкцию по эксплуатации.
- Устройство не предназначено для использования лицами с ограниченными физическими, чувственными или психическими способностями, а также неопытными и некомпетентными лицами. Маленькие дети должны находиться под присмотром, чтобы была уверенность, что они не играют с устройством.
- Работу следует выполнять только в хорошем физическом состоянии. Выполняйте все работы спокойно и аккуратно. Пользователь несет полную ответственность

- за безопасность людей и повреждения рабочей зоне.
- Никогда не используйте это устройство после употребления алкоголя или лекарственных препаратов, или если Вы чувствуете усталость или недомогание.
 - Отдохните для предотвращения потери контроля, вызванного усталостью. Рекомендуется делать паузу от 10 до 20 минут каждый час.
 - Используйте устройство в соответствии с данной инструкцией, принимая во внимание рабочие условия и применение. Использование устройства не по назначению может привести к опасной ситуации.
 - Обращение с устройством может быть ограничено национальными или местными законами.
 - Будьте внимательны. Смотрите, что Вы делаете. Используйте здравый смысл. Не работайте на устройстве, когда Вы устали.

Средства индивидуальной защиты

- Одевайтесь соответствующим образом. Надеваемая одежда должна быть функциональной и соответствующей, то есть должна плотно прилегать к телу, но не сковывать движений. Не следует

- носить никаких украшений или одежды, которая может попасть в устройство. Убирайте длинные волосы под защитный головной убор.
- Всегда используйте средства защиты для органов слуха для предотвращения потери слуха.
- Используйте защитные очки или щитки для защиты глаз от летящих предметов и осколков.
- Надевайте защитные перчатки для предотвращения травм пальцев.
- Надевайте пылезащитную маску для уменьшения опасности травм.
- При использовании устройства обязательно надевайте прочную обувь с нескользящей подошвой. Это защищает от травм и обеспечивает хорошую устойчивость.
- При работе на устройстве обязательно одевайте прочную обувь и длинные брюки. Не работайте на устройстве босиком или в открытых сандалиях.

Правила безопасности для рабочей области

- При работе на устройстве следите, чтобы дети и окружающие, включая животных, были на удалении.
- Проверьте, чтобы в рабочей области не было камней, проволоки, стекла и других

посторонних предметов. Посторонние предметы могут быть захвачены или отброшены устройством, что приведет к повреждению или травме.

- Работайте на устройстве при хорошей видимости и только при дневном свете. Не используйте устройство в темноте или в тумане.
- Не используйте устройство во взрывоопасной атмосфере, например, в присутствии огнеопасных жидкостей, газов или пыли. Устройство создает искры, которые могут привести к воспламенению пыли или паров.
- Не подвергайте устройство воздействию дождя или влаги. Попадание воды в устройство может увеличить опасность поражения электрическим током.

Запуск устройства

- Перед подсоединением вилки или включением устройства:
 - Проверьте вилку и шнур и убедитесь, что они находятся в хорошем состоянии.
 - Проверьте надежность крепления всех винтов, гаек и других крепежных деталей.
 - Проверьте, что режущие инструменты на месте и в хорошем рабочем состоянии.

– Проверьте, что устройства для защиты и безопасности, например, отражатели и улавливатель травы, работают надлежащим образом.

– Проверьте, чтобы вентиляционные отверстия не были заблокированы пылью или другими посторонними материалами. Если они заблокированы, очистите их мягкой щеткой или тряпкой.

– Замените поврежденные или трудночитаемые наклейки.

– Внимательно проверьте все детали устройства, чтобы определить, правильно ли оно работает и выполняет ли оно предназначенные функции. Очень важно ни в коем случае не использовать устройство, если переключатель не работает нормально.

– Убедитесь, что переключатель находится на стороне выключения во избежание непреднамеренного запуска.

– Проверьте все инструменты для технического обслуживания, например, не удалены ли регулировочный гаечный ключ или рожковый ключ.

- Если поврежден шнур питания, обратитесь для его замены в уполномоченный центр технического обслуживания Makita, обязательно используя оригинальные запасные части.
- Никогда не используйте устройство, если защитное устройство, например, кожух отражателя или улавливатель травы, повреждено или отсутствует.
- При включении двигателя:
 - Держитесь на расстоянии от режущих инструментов.
 - Не наклоняйте устройство.
 - Не стойте напротив выпускного отверстия.
 - Не держите руки, другие части тела или одежду рядом с движущимися частями.

Правила электробезопасности

- Перед использованием проверьте, подходит ли соединительная вилка на устройстве к розетке.
- Ни в коем случае не модифицируйте соединительную вилку.
- Не нарушайте правила эксплуатации шнура. Никогда не используйте шнур для переноски устройства, подтягивания или отсоединения его от сети. Держите шнур подальше от тепла, масла, острых углов или движущихся частей. Поврежденные или запутанные шнуры увеличивают опасность поражения электрическим током.
- Регулярно проверяйте удлинительный кабель на наличие повреждений изоляции. В случае повреждения замените его.
- Если соединительный кабель поврежден, немедленно отсоедините сетевую вилку. Поврежденный кабель может привести к контакту с частями, находящимися под напряжением, и поражению электрическим током.
- Ни в коем случае не используйте поврежденный шнур.
- Держите шнур и удлинительный кабель на расстоянии от режущих инструментов и колес. Режущие инструменты могут повредить кабель и привести к поражению электрическим током.
- При использовании устройства вне помещений обязательно используйте остаточный токовый прерыватель цепи (RCD) с рабочим током не более 30 мА.
- Используйте удлинительный кабель только для наружного использования с брызгозащищенным

соединителем. Его поперечное сечение должно быть не менее 1,5 мм² для кабеля длиной до 25 м и 2,5 мм² для кабеля длиной более 25 м.

- Устройство следует подсоединять только к источнику электропитания с таким же напряжением как указано на таблице номиналов, и оно может функционировать только от однофазного источника питания переменного тока (АС). Они имеют двойную изоляцию в соответствии с Европейским стандартом и могут, таким образом, также использоваться с розетками без провода заземления.
- Избегайте контакта тела с замкнутыми на землю или заземленными поверхностями (например, трубами, радиаторами, плитами, холодильниками).

Функционирование

- Не работайте на мокрой траве. Уделяйте особое внимание при работе на влажной траве во избежание скольжения.
- Во время работы крепко держите рукоятку обеими руками. Поддерживайте рукоятку сухой и чистой для предотвращения несчастных случаев.
- Не бегайте. Во время работы только ходите.

- При работе на наклонных поверхностях уделяйте особое внимание устойчивому положению.
- Не работайте прямо вверх или вниз на уклоне. Обязательно работайте вдоль горизонтальной линии.
- Будьте особенно внимательны при поворотах устройства на уклонах.
- Никогда не работайте на ступенчатых уклонах.
- Будьте особенно внимательны во время заднего хода или наезда устройства на Вас.
- Не перенапрягайтесь. Постоянно сохраняйте надлежащую устойчивость и равновесие. Это обеспечивает лучший контроль над устройством в непредвиденных ситуациях.
- Всегда помните:
 - Держитеногинарасстоянии от режущих инструментов.
 - Не наклоняйте устройство.
 - Не стойте напротив выпускного отверстия.
 - Не держите руки, другие части тела или одежду рядом с движущимися частями.
- Не прикладывайте силу к устройству. Оно не будет работать лучше и безопаснее того уровня, для которого оно разработано. Частая перегрузка может привести к

- повреждению двигателя или пожару.
- Выключите двигатель и отсоедините от сети:
 - Никогда не оставляйте устройство без присмотра
 - Перед чисткой засора или другими неисправностями
 - Перед проверкой, чисткой или работой с устройством
 - Перед выполнением любых настроек, заменой принадлежностей или хранением
 - Когда устройство ударилось о посторонний предмет. Подождите, пока устройство не остынет. Проверьте устройство и замените при необходимости части перед продолжением работы
 - Когда устройство начинает вибрировать или издавать необычный шум
 - При прикреплении или удалении улавливателя травы
 - Когда посторонние заходят в рабочую область
 - При пересечении поверхности, отличающейся от травы
 - При транспортировке.
 - Остановите режущий инструмент:
 - Если Вам нужно наклонить устройство

- При пересечении поверхности, отличающейся от травы
- Транспортировка устройства на рабочие поверхности или с них.

- Будьте внимательны по отношению к режущим инструментам. Они не останавливаются сразу после выключения.

Инструкция по техническому обслуживанию

- Устройство должно обслуживаться в уполномоченном центре по техническому обслуживанию, обязательно используя только оригинальные запасные части. Неправильный ремонт и плохое техническое обслуживание могут сократить срок службы устройства и увеличить опасность несчастных случаев.
- Регулярно проверяйте устройство.
- Перед обслуживанием, проверкой, настройкой, хранением или заменой принадлежностей выполните следующие действия:
 - Отключите источник питания
 - Отсоедините устройство от источника питания
 - Убедитесь, что все движущиеся части полностью остановились

- Дайте устройству остыть.
- Проверьте устройство на наличие возможных повреждений:
 - Правильно выполняют устройства безопасности свои предназначенные функции
 - Работают ли все движущиеся части плавно и правильно
 - Не повреждены ли и правильно ли установлены все части
 - Проверьте режущий инструмент на наличие повреждений, износ или несбалансированность
 - Регулярно проверяйте улавливатель травы на наличие повреждений и износ
 - Проверьте, закручены ли все гайки, болты и винты
 - При наличии поврежденных или изношенных частей замените или отремонтируйте в уполномоченном центре по техническому обслуживанию.
- Не выполняйте техническое обслуживание и ремонтные работы, отличающиеся от описанных в данной инструкции по эксплуатации. Все прочие работы должны выполняться в уполномоченном центре по техническому обслуживанию Makita.

- Используйте только оригинальные запасные части и принадлежности Makita, предназначенные для устройства. Несоблюдение этого правила может привести к травме или повреждению устройства.
- Храните устройство в сухом помещении. Держите вне доступа детей. Никогда не храните устройство вне помещения.

Вибрация

- Люди с недостаточным кровообращением, кто подвержен чрезмерной вибрации, могут причинить ущерб кровеносным сосудам или нервной системе. Вибрация может быть причиной следующих симптомов, которые наблюдаются с Вашими пальцами, руками или запястьями: “Онемение” (нечувствительность), покалывание, боль, колющая боль, изменение цвета кожи или изменение кожи. Если наблюдается любой из этих признаков, обратитесь к врачу.
- Для уменьшения опасности возникновения “синдрома белых пальцев” во время работы держите руки в тепле и правильно выполняйте обслуживание оборудования и принадлежностей.

⚠ ПРЕДОСТЕРЕЖЕНИЕ:

- Это устройство во время работы создает электромагнитное поле. Перед использованием этого устройства лицами, имеющими медицинские имплантаты, рекомендуется проконсультироваться с врачом и производителем имплантата. В противном случае электромагнитное поле может оказывать отрицательное воздействие на имплантат, и может привести к серьезной травме.

⚠ ПРЕДУПРЕЖДЕНИЕ:

- Следует всегда быть уверенным, что устройство выключено и отключено от сети перед проведением любых работ с инструментом.

Сборка планки рукоятки (Рис. 2, 3)

- 1) Прикрепите нижнюю планку рукоятки (4) к устройству с помощью ручек (11).
- 2) Поместите верхнюю планку рукоятки (3) на нижнюю планку рукоятки, а затем скрепите их с помощью двух распорок, гайки и рычага (7).
- 3) Закрепите шнур с помощью зажима (8) на планке рукоятки.

Сборка улавливателя травы**⚠ ПРЕДУПРЕЖДЕНИЕ:**

- Не используйте устройство без улавливателя травы. В противном случае выброшенный предмет может привести к травме.
- Для приспособлений с выбросом назад с открытыми задними валиками, которые эксплуатируются без улавливателя, необходимо надевать защиту для глаз.

ПРИМЕЧАНИЕ:

- Производительность устройства уменьшается, когда улавливатель травы заполнен. Регулярно опорожняйте улавливатель травы до того, как он весь заполнится.

Установка улавливателя травы

Вытяните кожух отражателя (10) и держите его. Вставьте штырьки на улавливателе травы в пазы на устройстве.

Удаление улавливателя травы

Вытяните кожух отражателя (10) и держите его. Удалите улавливатель травы, вытащив штырьки из пазов на устройстве.

Зажим шнура (Рис. 4)

Зажим шнура (5) помогает предотвратить попадание шнура в лезвие или колесо.

Сделайте небольшую петлю на конце сетевого шнура и пропустите его через отверстие зажима шнура, а затем подвесьте его на крючок.

Во время работы обязательно принимайте во

внимание расположение шнура. Начиная работу с места, ближайшего к источнику питания, для предотвращения случайного обрезания шнура. Рекомендуется во время работы держать шнур на плече.

Удаление или установка режущего инструмента**⚠ ПРЕДУПРЕЖДЕНИЕ:**

- Надевайте защитные перчатки.
- Будьте очень внимательны при обращении с режущим инструментом. Он очень острый и может нагреваться во время использования.
- Всегда используйте подходящий режущий инструмент в соответствии с выполняемой работой.
- Перед работой убедитесь, что два болта, которые удерживают режущий инструмент на устройстве, надежно закручены. Не используйте устройство, если болт раскрутился или потерялся. Если он поврежден, сразу замените его.

Удаление режущего инструмента

- 1) Удалите улавливатель травы (9).
- 2) Удалите рукоятку с устройства.
- 3) Поместите устройство верхней стороной вниз на ровной поверхности.
- 4) Открутите два болта (14). Удалите их и пружинные шайбы.
- 5) Поднимите подшипниковую часть режущего инструмента (15), а затем вытяните режущий инструмент (13) из ведущего вала (16).

Установка режущего инструмента

- 1) Вставьте режущий инструмент, сдвигая часть с шестигранной гайкой на гнездо ведущего вала.
- 2) Закрепите подшипниковую часть на устройстве с помощью болтов и пружинных шайб.

⚠ ПРЕДОСТЕРЕЖЕНИЕ:

- Перед подключением устройства к сети обязательно убедитесь, что оно выключено. Подключение к сети включенного устройства может привести к неожиданному запуску, приводящему к серьезной травме.
- Ни в коем случае не используйте устройство в случае повреждения кабеля питания. В противном случае это может привести к поражению электрическим током.
- Не используйте устройство, если переключатель не включает или не выключает его. Замените поврежденные переключатели в уполномоченном центре по техническому обслуживанию Makita.

Рычаг пуска/остановки

Для запуска устройства нажмите и удерживайте кнопку фиксации (2), а затем полностью потяните рычаг пуска/остановки (1) и удерживайте его. После того, как Вы потянули рычаг пуска/остановки, Вам больше не нужно удерживать кнопку фиксации. Для остановки устройства просто отпустите рычаг пуска/остановки.

Регулировка угла рукоятки

Вы можете изменять угол верхней планки рукоятки.

- 1) Разблокируйте зажимы рукоятки (6).
- 2) Отрегулируйте угол верхней планки рукоятки (3).
- 3) Снова заблокируйте зажимы рукоятки.

Настройка высоты

В зависимости от состояния травы настройте высоту режущего инструмента.

Для получения примерных показаний для установок глубины обратитесь к приведенной ниже таблице.

| Высота | Использование | |
|--------|--|---|
| | Скарифирование | Рыхление (Дополнительная принадлежность) |
| +5 мм | Для транспортировки и хранения. Скарифирование чувствительного газона. Снятие тонких слоев. Второе скарифирование осенью. | Для транспортировки и хранения. Рыхление нормального газона. |
| 0 мм | Скарифирование нормального газона. Снятие нормального слоя. | Рыхление грубого толстого газона. |
| -5 мм | Скарифирование нормального газона. Снятие толстого слоя. | НЕ используйте для операции рыхления. |
| -10 мм | Скарифирование грубого толстого газона. Снятие толстого слоя. | НЕ используйте для операции рыхления. |

Изменение высоты

Нажмите рычаг регулировки высоты (12) наружу и переместите его в нужное положение.

Защита от перегрузки

Устройство оснащено защитой от перегрузки, и она срабатывает в следующих ситуациях:

- Режущий инструмент становится засоренным, так как вокруг него скапливаются скарифицированные материалы.
- Устройство пытается выполнить больше скарифирования, чем может выдержать его двигатель.
- Что-то мешает вращению режущего инструмента.

Когда срабатывает такая защита, устройство автоматически выключается.

Если это произошло, отсоедините устройство от сети, подождите, пока оно охладится, и устраните причину перегрузки перед повторным запуском устройства.

ЭКСПЛУАТАЦИЯ

Советы по выполнению работы:

- Срежьте траву перед работой и внесите удобрения после работы.
- Настройте глубину режущего инструмента в соответствии с высотой травы и погодой.
- Не работайте на мокрой траве. Она имеет свойство налипать на выпускное отверстие и другие части устройства. Она может также вызвать скольжение и падение.
- Не перемещайтесь слишком быстро. Толкайте устройство медленно. В противном случае возможен засор выпускного отверстия и возможна перегрузка двигателя.
- Работайте как можно более по прямой.
- Делайте немного накладывающиеся прорезанные линии. В результате получится ровная и гладкая поверхность.
- Если в рабочей области имеется клумба с цветами, сделайте один или два круга вокруг клумбы.

- Будьте особенно осторожны при повороте устройства.
- Не стойте на одном месте. Это приносит вред траве.

Советы по выполнению скарифирования:

- Всегда принимайте во внимание погодные условия. Для скарифирования хорошо подходит теплая, солнечная и влажная погода, так как при этом газон может хорошо восстанавливаться. С другой стороны избегайте холодной, жаркой, сухой погоды.
- Скарифируйте газон в течение весеннего сезона.
- Если лето влажное, скарифируйте газон ранней осенью.
- Воздержитесь от скарифирования во время слишком жаркой погоды.
- Если лето было слишком сухим, не выполняйте скарифирование осенью.

Советы по выполнению рыхления:

- Для обеспечения здорового роста газона весной для области вокруг корней требуется много воздуха.
- Рекомендуется выполнять операцию аэрации газона каждые 4 - 6 недель в соответствии с состоянием газона.

ТЕХНИЧЕСКОЕ ОБСЛУЖИВАНИЕ

⚠ ПРЕДУПРЕЖДЕНИЕ:

- Следует всегда быть уверенным, что устройство выключено и отключено от сети перед выполнением проверки или техническим обслуживанием.
- Перед выполнением проверки или технического обслуживания надевайте защитные перчатки.
- Резак не останавливается сразу после выключения. Перед выполнением работ по техническому обслуживанию подождите, пока все части не остановятся.
- После выполнения работ по техническому обслуживанию убедитесь, что все инструменты убраны.
- Никогда не используйте для чистки бензин, бензол, растворители, спирт и

подобные вещества. Это может привести к обесцвечиванию, деформации или появлению трещин. Для чистки устройства используйте только влажную тряпку и мягкую щетку.

- Не поливайте устройство из шланга и не очищайте водой под высоким давлением.

При перевозке устройства обратите внимание на следующие моменты:

- Выключите двигатель, отключите от сети и подождите, пока режущий инструмент не остановится.
- Настройте глубину режущего инструмента на глубину при транспортировке.
- Переносите устройство только за рукоятку.
- Не допускайте сильных ударов или сильной вибрации.
- В случае перевозки на транспортном средстве обеспечьте надежное закрепление устройства.

После каждой операции выполните следующие действия:

- Выключите двигатель, отключите от сети и подождите, пока режущий инструмент не остановится.
- Очистите улавливатель травы. Храните его в сухом помещении.
- Проверяйте, чистите и храните устройство в сухом помещении.

Регулярно выполняйте следующие действия:

- Проверьте, чтобы все крепежные детали такие, как винты, гайки и т.п., были надежно закручены.
- Проверьте нет ли повреждений, например, плохого прикрепленных, изношенных или поврежденных частей. Замените их, если необходимо.
- Проверьте, не повреждены ли и не деформированы ли крышки и кожухи.
- Если устройство во время работы начало ненормально вибрировать, это может вызвано разбалансировкой или деформацией режущего инструмента из-за удара посторонними предметами. Если это произошло, необходимо отремонтировать или заменить режущий инструмент в уполномоченном центре технического обслуживания.
- Режущий инструмент изнашивается с течением времени. Регулярно проверяйте состояние режущего инструмента и его остроту. Замените его в случае износа или затупления.
- Очистите и смажьте все винты перед хранением.

ПОИСК И УСТРАНЕНИЕ НЕИСПРАВНОСТЕЙ

ПРЕДОСТЕРЕЖЕНИЕ: Перед решением проблем выключите устройство, отсоедините сетевую вилку и подождите, пока устройство полностью не остановится.

| Неисправность | Возможная причина | Меры по устранению |
|--|--|--|
| Устройство не запускается. | Не подсоединен источник питания. | Подсоедините источник питания. |
| | Дефект шнура питания. | Немедленно отсоедините от сети. Для ремонта обратитесь в местный уполномоченный центр по техобслуживанию Makita. |
| | Дефект электрической цепи. | Для ремонта обратитесь в местный уполномоченный центр по техобслуживанию Makita. |
| | Кнопка фиксации не нажата. | Нажмите кнопку фиксации и потяните рычаг пуск/остановка. |
| Устройство издает треск. | В режущий инструмент попал посторонний предмет. | Выключите двигатель, отключите от сети и подождите, пока режущий инструмент не остановится. А затем удалите посторонний предмет. |
| Устройство издает странный шум. | Дефект ремня вала | Для ремонта обратитесь в местный уполномоченный центр по техобслуживанию Makita. |
| Устройство не достигает максимальной мощности. | Источник питания имеет напряжение, меньше необходимого. | Попробуйте другой источник питания. Проверьте, применяется ли подходящий источник питания. |
| | Вентиляционные отверстия засорены. | Очистите вентиляционные отверстия. |
| Плохой результат. | Слишком высокая трава. | Скосите траву перед скарификацией. |
| | Режущий инструмент пришел в негодность или поврежден. | Замените его. |
| | Поверхность скарифирования превышает возможности устройства. | Выполняйте скарифирование только таких поверхностей, которые соответствуют возможностям устройства. |
| | Неправильная глубина скарифирования. | Настройте глубину режущего инструмента. |

ДОПОЛНИТЕЛЬНЫЕ ПРИНАДЛЕЖНОСТИ

⚠ ПРЕДУПРЕЖДЕНИЕ:

- Эти принадлежности или приспособления рекомендуются для использования с Вашим инструментом Makita, указанным в руководстве. Использование любых других принадлежностей или приспособлений может привести к травме. Используйте принадлежности и приспособления только для установленных целей.
- Если Вам необходима какая-либо помощь относительно дальнейших подробностей об этих принадлежностях, обращайтесь в Ваш местный центр по техобслуживанию Makita.

Имеется несколько типов режущих инструментов:

- Лезвие для скарифирования - Острый конец лезвия скарифирует землю и обрезает корни.
- Лезвие для рыхления (дополнительная принадлежность) - Удаление газона и листьев тонкими иглами.
- Лезвие 2 в 1 (дополнительная принадлежность) - Одновременное рыхление и скарифирование.

ЗАМЕЧАНИЕ:

- Некоторые пункты в списке могут быть включены в комплект поставки инструмента как стандартные принадлежности. Они могут различаться в зависимости от страны.

Только для европейских стран

**Сертификат соответствия Европейского
Сообщества**

**Makita заявляет, что следующая(ие)
устройство(а):**

Наименование устройства:
Электрический Скарификатор
№ модели/ Тип: UV3600

**Соответствуют следующим европейским
директивам:**

2000/14/ЕС изменяется с использованием
2005/88/ЕС, 2006/42/ЕС, 2004/108/ЕС, 2011/65/
ЕС

Они изготовлены в соответствии со следующими
стандартами или нормативными документами:

EN60335, EN13684

Технический файл в соответствии с 2006/42/ЕС
доступен в:

Makita, Jan-Baptist Vinkstraat 2, 3070, Бельгия

Процедура оценки соответствия, необходимая
согласно Директиве 2000/14/ЕС, выполнена в
соответствии с приложением V.

Измеренный уровень звуковой мощности:

99,53 дБ (А)

Гарантированный уровень звуковой мощности:

104 дБ (А)

21.11.2014



Yasushi Fukaya
Директор

Makita, Jan-Baptist Vinkstraat 2, 3070, Бельгия

ПОПЕРЕДЖЕННЯ: Цей пристрій можуть використовувати діти віком від 8 років та особи з обмеженими фізичними, сенсорними або розумовими здібностями, а також ті, хто не має відповідного досвіду та знань, якщо за ними наглядає відповідальна за їхню безпеку особа, або ж вони отримали вказівки від такої особи стосовно безпечного використання інструмента й усвідомлюють можливу небезпеку. Діти не повинні бавитися цим пристроєм. Чищення та обслуговування не повинні виконувати діти без нагляду.

НАЙМЕНУВАННЯ ЧАСТИН (Мал. 1)

- | | | |
|-----------------------------------|---------------------|-------------------------------|
| 1. Важіль запуску/зупинки | 6. Фіксатор руків'я | 12. Важіль регулювання висоти |
| 2. Кнопка розблокування | 7. Важіль | 13. Різальний інструмент |
| 3. Верхнє руків'я | 8. Скоба (x2) | 14. Болт і пружинна шайба |
| 4. Нижнє руків'я | 9. Травозбирач | 15. Опора |
| 5. Компенсатор натягування кабелю | 10. Щит дефлектора | 16. Привідний вал |
| | 11. Регулятор | |

ТЕХНІЧНІ ДАНІ

| | |
|--|--|
| Назва моделі | UV3600 |
| Напруга | 230-240 В |
| Частота | 50 Гц |
| Номінальна потужність | 1800 Вт |
| Маса нетто | 15,3 кг |
| Швидкість без навантаження | 3500 хв ⁻¹ |
| Максимальна ширина ділянки для обробки | 360 мм |
| Діапазон робочої висоти | 4 кроків (-10/-5/0/5 мм) |
| Ємність травозбирача | 40 л |
| Клас захисту | IPX4 |
| Рівень тиску звуку | 81,24 дБ (А), К= 2,50 дБ (А) |
| Рівень тиску звуку на вуха оператора | 85,5 дБ (А), К= 2,50 дБ (А) |
| Вимряний рівень потужності звуку | 99,53 дБ (А), К= 4,50 дБ (А) |
| Гарантований рівень потужності звуку | 104 дБ (А) |
| Вібрація | 4,673 м/с ² , К= 1,5 м/с ² |

СИМВОЛИ

Нижче описані символи, які використовуються на пристрої. Перш ніж користуватися пристроєм, вам слід із ними ознайомитися.



• Читайте посібник користувача.



• Будьте особливо обережні та уважні.



• Подвійна ізоляція.



- Одягайте захисні рукавиці.



- Одягайте міцне взуття із нековзкою підошвою.



- Одягайте захисні окуляри та шумопоглинальні навушники.



- Зачекайте, поки зупиняться усі деталі пристрою.



- Зважайте на гострі різальні інструменти.



- Перед обслуговуванням та чищенням, або коли пошкоджено кабель живлення вимкніть двигун і від'єднайте пристрій від мережі.



- За високої швидкості пристрій може відкидати в бік сторонні предмети.



- Стежте, щоб сторонні особи або домашні тварини були на безпечній відстані від робочої ділянки.



- Оберігайте пристрій від впливу дощу та вологи.



- Негайно від'єднайте штепсель кабелю від мережі, якщо кабель живлення пошкоджений або перерізаний.



- Існує ризик ураження електричним струмом.



- Тримайте кабель подалі від різальних інструментів або коліс.



- Лише для країн Євросоюзу

Не викидайте електричне обладнання разом із побутовими відходами!

Відповідно до Європейської Директиви щодо використаного електричного та електронного обладнання і її застосування відповідно до національного законодавства, електричне обладнання, яке досягло кінця терміну служби, слід збирати окремо і повертати у відповідні організації збору таких відходів.

ПОПЕРЕДЖЕННЯ ЩОДО БЕЗПЕКИ

УВАЖНО ПРОЧИТАЙТЕ ПЕРЕД ВИКОРИСТАННЯМ ЗБЕРІГАЙТЕ ПОСІБНИК З ЕКСПЛУАТАЦІЇ ДЛЯ ДОВІДКИ У МАЙБУТНЬОМУ



Не починайте користуватися пристроєм, не прочитавши ці вказівки щодо використання. Дотримуйтеся наведених вказівок і встановлюйте пристрій, як описано у цьому посібнику.

Призначення пристрою

- Цей пристрій призначений для розпушування ґрунту або прибирання листя в садах.
- Скарифikator призначений лише для приватного використання, а не для комерційних цілей. Його заборонено використовувати у громадських місцях.

Для використання від низьковольтної мережі від 220 В до 250 В.

Увімкнення та вимкнення електричного приладу спричиняє до коливання напруги. Експлуатація цього пристрою за несприятливих умов сіті може погано вплинути на роботу іншого обладнання. Можна припустити, що при опорі мережі 0,412 Ом або нижче, ніякого негативного впливу не буде. Мережна розетка, до якої буде підключатися пристрій, повинна бути захищена запобіжником або захисним автоматичним вимикачем плавного розчіплювання.

Загальні вказівки

- Прочитайте цей посібник з експлуатації, щоб ознайомитися з роботою пристрою. Використання пристрою недостатньо обізнаними особами збільшує ризик займання, ураження електричним струмом, а також травмування їх самих та оточуючих.

- Не давайте користуватися пристроєм особам, у відповідних навичках яких ви не впевнені.
- Передаючи пристрій іншій особі, завжди додавайте цей посібник з експлуатації.
- Пристрій не призначений для використання особами з обмеженими фізичними, сенсорними або розумовими здібностями, а також тими, хто не має відповідного досвіду та знань. Слідкуйте, щоб із пристроєм не гралися діти.
- Користуйтеся пристроєм лише за умови доброго самопочуття. Виконуйте роботу спокійно та обережно. Користувач несе відповідальність за безпеку оточуючих та збитки в межах робочої зони.
- Ніколи не користуйтеся пристроєм після вживання алкоголю або ліків, а також у стані втоми чи поганого самопочуття.
- Робіть перерви, щоб запобігти ризику втрати контролю над пристроєм внаслідок перевтоми. Радимо щогодини роботи перерву на 10-20 хвилин.
- Використовуйте пристрій відповідно до цих вказівок та враховуючи робочі умови і спосіб застосування. Використання пристрою не за призначенням становить небезпеку.

- Окремі державні чи місцеві норми можуть передбачати обмеження щодо використання пристрою.
- Будьте пильними. Слідкуйте за тим, що робите. Покладайтеся на здоровий глузд. Не користуйтеся пристроєм у стані втоми.

Спорядження для особистого захисту

- Одягайтеся належним чином. Одяг має бути доцільним та функціональним, а саме облягати, а не перешкоджати рухові. Не одягайте прикрас або одягу, який може заплутатися в пристрої. Якщо у вас довге волосся, сховайте його під головним убором.
- Завжди одягайте шумопоглинальні навушники, щоб запобігти пошкодженню слуху.
- Одягайте захисні окуляри, щоб захистити очі від уламків сміття.
- Одягайте захисні рукавиці, щоб запобігти травмуванню пальців.
- Одягайте пилозахисну маску, щоб запобігти ризику травмування.
- На час використання пристрою завжди одягайте міцне взуття з нековзкою підшовою. Це захистить вас від травмування і забезпечить стійкість.
- На час користування пристроєм одягайте міцне взуття та

довгі штани. Не користуйтеся пристроєм босоніж або у відкритих сандалях.

Безпека в межах робочої зони

- Запобігайте присутності дітей, сторонніх осіб та тварин у зоні використання пристрою.
- Перевірте, чи немає в робочій зоні каміння, дротів, скла та інших сторонніх предметів. Сторонні предмети можуть потрапити у пристрій або ж відбитися від нього, спричинивши збитки або травмування.
- Використовуйте пристрій лише вдень та за умови доброї видимості. Не використовуйте пристрій у темряві та в тумані.
- Не користуйтеся пристроєм у вибухонебезпечних середовищах, зокрема поблизу легкозаймистих речовин, газів або пилу. Пристрій генерує іскри, які можуть спричинити займання в разі контакту з пилом або випарами.
- Оберігайте пристрій від дощу та впливу вологи. Якщо всередину пристрою потрапить вода, це збільшить ризик ураження електричним струмом.

Запуск пристрою

- Перш ніж під'єднати кабель живлення або увімкнути пристрій:
 - перевірте належність стану штепселя та кабелю;

- перевірте, чи всі гвинти, гайки та інші фіксатори належним чином затягнуто;
 - перевірте, чи різальні інструменти правильно встановлені і перебувають у належному робочому стані;
 - перевірте, чи щити і захисні компоненти, зокрема дефлектори та травозбирач, функціонують належним чином;
 - перевірте, чи вентиляційні отвори не засмічені пилюкою чи іншими сторонніми матеріалами; якщо вони заблоковані, прочистьте їх м'якою щіткою або ганчіркою;
 - зніміть пошкоджені або нечитабельні ярлики;
 - ретельно перевірте всі компоненти пристрою, щоб визначити, чи він функціонує належним чином; зокрема, не користуйтеся пристроєм, якщо перемикач не працює належним чином;
 - перемикач має перебувати у положенні вимкнення, щоб запобігти випадковому запуску пристрою;
 - перевірте, чи всі ремонтні інструменти, такі як регульовальний ключ та гайковий ключ, від'єднано.
- Якщо кабель живлення пошкоджено, зверніться

в уповноважений центр обслуговування Makita, щоб його замінити. Завжди використовуйте оригінальні запчастини.

- Не користуйтеся пристроєм, якщо захисні деталі, такі як щит дефлектора або травозбирач, пошкоджені або відсутні.
- Під час увімкнення двигуна:
 - тримайте ноги подалі від різальних інструментів;
 - не нахилийте пристрій;
 - не стійте перед вихлопним отвором;
 - тримайтеся подалі від рухомих компонентів пристрою.

Електрична безпека

- Перед використанням пристрою перевірте, чи штепсель кабелю пристрою підходить до розетки.
- Здійснювати будь-яку модифікацію штепселя заборонено.
- Використовуйте кабель відповідно до правил. Не використовуйте кабель для перенесення та перетягування пристрою і не тягніть за кабель, від'єднуючи пристрій від мережі. Тримайте кабель подалі від джерел тепла, мастила, гострих країв чи рухомих частин. Пошкоджені чи заплутані кабелі підвищують ризик ураження електричним струмом.

- Регулярно перевіряйте кабель-подовжувач на наявність пошкоджень ізоляції. Замініть кабель, якщо він пошкоджений.
- Якщо кабель пошкоджено, негайно від'єднайте штепсель від мережі. Пошкоджений кабель може контактувати зі струмопровідними частинами і спричинити ураження електричним струмом.
- Ніколи не використовуйте пошкоджені кабелі.
- Тримайте кабель живлення та кабель-продовжувач подалі від різальних інструментів та коліс. Різальні інструменти можуть пошкодити кабель і спричинити ураження електричним струмом.
- У разі використання пристрою надворі завжди використовуйте автоматичний переривач залишкового струму (RCD) із робочим струмом 30 мА або менше.
- Використовуйте лише кабель-продовжувач для зовнішнього використання із захищеним від бризок штепселем. Поперечний переріз кабелю має становити близько 1,5 мм² для кабелів довжиною до 25 м і 2,5 мм² для кабелів довжиною більше 25 м.
- Пристрій слід під'єднувати до розеток із напругою, ідентичною до вказаної на ярлику пристрою, та лише з однофазним змінним струмом.

Кабелі пристрою мають подвійну ізоляцію відповідно до європейських стандартів і тому можуть використовуватися з розетками, які не мають заземлення.

- Не торкайтеся тілом заземлених поверхонь (як-от труб, радіаторів, електроплит, холодильників).

Використання

- Не використовуйте пристрій на мокрій траві. Працюючи на мокрій траві, будьте особливо обережними, щоб не посковзнутися.
- Працюючи, міцно тримайте ручку обома руками. Для запобігання нещасним випадкам ручка завжди має бути чистою та сухою.
- Не бігайте, працюючи з пристроєм. Користуючись пристроєм, ходіть поволі.
- Особливо зважайте на стійкість свого положення, працюючи на схилі.
- Не рухайтесь схилом вгору та вниз. Переміщуйтеся за горизонтальною траєкторією.
- Будьте особливо обережними, повертаючи пристрій на схилі.
- Не використовуйте пристрій на стрімких схилах.
- Будьте особливо пильними, розвертаючи пристрій або тягнучи на себе.
- Не перехиляйтеся над пристроєм. Зберігайте стійке положення та рівновагу. Це

дасть вам змогу краще зберегти контроль над пристроєм в неочікуваних ситуаціях.

- Завжди пам'ятайте:
 - тримайте ноги подалі від різальних інструментів;
 - не нахиляйте пристрій;
 - не стійте перед вихлопним отвором;
 - тримайтеся подалі від рухомих компонентів пристрою.
- Не пришвидшуйте роботу пристрою. Робота виконується краще і безпечніше з передбаченою виробником швидкістю. Часте перенавантаження може спричинити пошкодження двигуна чи займання.
- Вимикайте двигун та від'єднуйте пристрій від електромережі:
 - якщо залишаєте пристрій без нагляду;
 - перед тим як усувати заблокованість або несправність;
 - перш ніж перевіряти, чистити чи ремонтувати пристрій;
 - перш ніж виконувати будь-які регулювання, змінювати аксесуари чи готувати пристрій до зберігання;
 - якщо пристрій зачепить сторонній предмет; зачекайте, поки пристрій охолоне, огляньте його і за потреби замініть відповідні

компоненти, перш ніж продовжити роботу;

- коли пристрій починає вібрувати або видавати незвичний шум;
 - перед кріпленням або зніманням травозбирача;
 - коли до вас хтось наближається;
 - перед переміщенням пристрою не по траві;
 - перед транспортуванням.
- Зупиніть різальний інструмент:
 - якщо пристрій потрібно нахилити;
 - перед переміщенням пристрою не по траві;
 - перед транспортуванням пристрою за межі робочої зони.
 - Зважайте на різальні інструменти. Вони не зупиняються одразу після вимкнення пристрою.

Вказівки щодо обслуговування

- Віддавайте пристрій на обслуговування в авторизований центр обслуговування і завжди використовуйте лише оригінальні запчастини. Неправильний ремонт чи погане обслуговування можуть призвести до скорочення терміну служби пристрою і підвищити ризик нещасного випадку.

- Регулярно оглядайте пристрій. має здійснювати авторизований центр обслуговування.
 - Перед обслуговуванням, перевіркою, налаштуванням, зберіганням чи зміною аксесуарів виконайте перелічені нижче дії:
 - вимкніть живлення;
 - від'єднайте пристрій від електромережі;
 - упевніться, що всі рухомі компоненти повністю зупинились;
 - дайте пристрою охолонути.
 - Перевіряйте пристрій на наявність можливих пошкоджень:
 - чи належним чином і за призначенням працюють засоби захисту;
 - чи усі рухомі частини працюють безперебійно і належним чином;
 - чи не пошкоджено якісь частини і чи належним чином їх встановлено;
 - перевірте різальний інструмент на наявність пошкоджень, зношення та розбалансованості;
 - регулярно перевіряйте травозбирач на наявність пошкоджень або зношення;
 - перевіряйте, чи всі гайки, болти та гвинти затягнуто належним чином;
 - за наявності пошкоджених чи зношених компонентів їх ремонт або заміну
 - Не виконуйте інші завдання з обслуговування чи ремонтні роботи, аніж описано в цьому посібнику з користування. Будь-які інші роботи мають виконувати спеціалісти авторизованого центру обслуговування Makita.
 - Використовуйте лише оригінальні запасні частини і аксесуари Makita, призначені для пристрою. Нехтування цією вимогою може призвести до травмування користувача чи пошкодження пристрою.
 - Зберігайте пристрій у сухому приміщенні. Зберігайте пристрій подалі від дітей. Ніколи не зберігайте пристрій надворі.
- Вібрація**
- Тривалий вплив вібрації на людей із проблемами кровообігу становить ризик ураження судинної та нервової систем. Внаслідок тривалого впливу вібрації пальці, руки та зап'ястя можуть бути уражені такими симптомами: оніміння, поколювання, біль, різь, зміна кольору шкіри. У разі появи будь-якого з цих симптомів зверніться до лікаря.
 - Щоб зменшити ризик вібраційної хвороби, тримайте руки в теплі під час користування пристроєм і підтримуйте в належному стані пристрій та його аксесуари.
- ⚠ ПОПЕРЕДЖЕННЯ:**
- Під час роботи цей пристрій утворює навколо себе електромагнітне поле. Особам, які використовують медичні імпланти, радимо проконсультуватися з лікарем та виробником імплантата щодо можливості користування цим пристроєм.

У разі недотримання цієї рекомендації електромагнітне поле може вплинути на медичний імплантат і спричинити серйозне травмування.

МОНТАЖ

⚠ УВАГА:

- Перш ніж здійснювати будь-яке техобслуговування, обов'язково вимикайте пристрій і від'єднуйте його від мережі.

Збір руків'я (Мал. 2, 3)

- 1) Закріпіть нижнє руків'я (4) на пристрої за допомогою регуляторів (11).
- 2) Розташуйте верхнє руків'я (3) на нижньому руків'ї, тоді закріпіть їх за допомогою двох прокладок, гайки і важеля (7).
- 3) Закріпіть кабель скобами (8) на руків'ї.

Монтаж травозбирача

⚠ УВАГА:

- Не користуйтеся пристроєм, не встановивши травозбирач. Інакше пристрій відкидатиме в бік сторонні предмети, а це може спричинити травмування.
- Використовуючи без збирача пристрої, у яких вихлопний отвір та колеса розташовано ззаду, необхідно одягати повний комплект засобів для захисту очей.

ПРИМІТКА.

- Коли травозбирач заповнений, продуктивність пристрою зменшується. Регулярно спорожняйте травозбирач, запобігаючи його цілковитому заповненню.

Встановлення травозбирача

Потягніть угору та утримуйте щит дефлектора (10). Вставте гачки травозбирача у відповідні пази на пристрої.

Знімання травозбирача

Потягніть угору та утримуйте щит дефлектора (10). Зніміть травозбирач, витягнувши гачки з пазів на пристрої.

Компенсатор натягування кабелю (Мал. 4)

Компенсатор натягування кабелю (5) допомагає запобігти заплутуванню кабелю за лезо чи колесо.

Зробіть невелику петельку на кінці кабелю живлення, протягніть її через отвір компенсатора натягування кабелю і зачепіть за гачок.

Користуючись пристроєм, завжди зважайте на розташування кабелю. Починайте роботу з місця, найближчого до джерела живлення, щоб кабель випадково не від'єднався. Радимо під час роботи пристрою тримати кабель перекинутим через плече.

Встановлення та знімання різального інструмента

⚠ УВАГА:

- Одягайте захисні рукавиці.
- Будьте особливо обережні під час обслуговування різального інструмента. Він дуже гострий і під час роботи пристрою може сильно нагріватися.
- Використовуйте різальний інструмент відповідно до типу застосування пристрою.
- Перед увімкненням пристрою перевірте, чи два болти, які фіксують різальний інструмент на пристрої, надійно затягнуто. Не вмикайте пристрій, якщо болт відсутній або ненадійно закріплений. Якщо болт пошкоджено, негайно його замініть.

Знімання різального інструмента

- 1) Зніміть травозбирач (9).
- 2) Зніміть із пристрою ручку.
- 3) Встановіть пристрій догори ногами на плоскій поверхні.
- 4) Розкрутіть фіксуючі болти (14). Витягніть болти та пружинні шайби.
- 5) Підніміть опірну частину різального інструмента (15) і витягніть різальний інструмент (13) із привідного валу (16).

Встановлення різального інструмента

- 1) Встановіть різальний інструмент, вставивши його шестигранну гайку у відповідне гніздо на привідному валі.
- 2) Закріпіть опору різального інструмента на пристрої за допомогою болтів та пружинних гайок.

⚠ ПОПЕРЕДЖЕННЯ:

- Перш ніж під'єднувати пристрій до мережі, упевніться, що він вимкнений. Якщо під'єднати пристрій до мережі увімкненим, це може призвести до неочікуваного запуску, а відтак до серйозного травмування користувача.
- Ніколи не використовуйте пристрій, якщо кабель живлення пошкоджено. Це становить ризик ураження електричним струмом.
- Ніколи не використовуйте пристрій, якщо він не вмикається або не вимикається за допомогою перемикача. Щодо заміни перемикачів із дефектами звертайтеся до авторизованого центру обслуговування Makita.

Важіль запуску/зупинки

Щоб запустити пристрій, натисніть і утримуйте кнопку розблокування (2), а потім повністю відтягніть і утримуйте важіль запуску/зупинки (1). Відтягнувши важіль запуску/зупинки, кнопку розблокування утримувати більше не потрібно. Щоб зупинити пристрій, просто відпустіть важіль запуску/зупинки.

Регулювання кута нахилу руків'я

Кут нахилу верхнього руків'я можна змінити.

- 1) Розблокуйте фіксатори руків'я (6).
- 2) Відрегулюйте кут нахилу верхнього руків'я (3).
- 3) Знову заблокуйте фіксатори руків'я.

Регулювання висоти

Відрегулюйте висоту різального інструмента відповідно до стану трави. Дивіться в таблиці нижче приблизні показники параметрів глибини.

| Висота | Використання | |
|--------|--|--|
| | Скарифікація | Граблі (додатковий аксесуар) |
| +5 мм | Для транспортування та зберігання. Скарифікація чутливого газону. Чищення рідких шарів. Друга скарифікація восени. | Для транспортування та зберігання. Прибирання звичайного газону. |
| 0 мм | Скарифікація звичайного газону. Чищення звичайних шарів. | Прибирання необробленого густого газону. |
| -5 мм | Скарифікація звичайного газону. Чищення густих шарів. | НЕ використовувати для прибирання. |
| -10 мм | Скарифікація необробленого густого газону. Чищення густих шарів. | НЕ використовувати для прибирання. |

Зміна висоти

Посуньте важіль регулювання висоти (12) назвоні і перемістіть у потрібне положення.

Захист від перенавантаження

Цей пристрій обладнано функцією захисту від перенавантаження, і вона спрацьовує в таких випадках:

- різальний інструмент засмітився робочими відходами;
- пристрій намагається працювати на вищій потужності, аніж може витримати двигун;
- щось заважає обертанню різального інструмента.

Коли спрацьовує ця захисна функція, пристрій автоматично вимикається.

У такому разі від'єднайте пристрій від мережі, зачекайте, поки він охолоне, усуньте причину перенавантаження і лише після цього продовжте роботу.

ВИКОРИСТАННЯ

Корисні поради

- Стрижіть траву перед використанням пристрою та підживлюйте ґрунт після використання пристрою.
- Регулюйте глибини різального інструмента відповідно до довжини трави та погоди.
- Не використовуйте пристрій на мокрій траві. Мокра трава налипає на вихлопному отворі та інших компонентах пристрою. Крім того, на мокрій траві легко посковзнутися і впасти.
- Не пересувайтеся надто швидко. Рухайте пристроєм повільно. Інакше вихлопний отвір може засмітитися, а двигун перенавантажитися.
- Ведіть пристрій за прямою лінією, наскільки це можливо.
- Борозни повинні дещо накладатися одна на одну. Це забезпечить рівномірність обробки ґрунту.
- Якщо на робочій ділянці є клумба, зробіть навколо неї коло один-два рази.
- Будьте особливо обережними, повертаючи пристрій.

- Не стійте на одному місці. Це пошкоджує траву.

Поради щодо скарифікації

- Завжди враховуйте погодні умови. Тепла, сонячна і волога погода добре підходить для скарифікації, оскільки за таких умов газон може легко відновитися. Відповідно холодної, спекотної та сухої погоди слід уникати.
- Радимо використовувати скарифікатор протягом весни.
- Якщо літо вологе, обробіть газон скарифікатором на початку осені.
- Утримайтесь від використання скарифікатора у спекотну пору.
- Якщо літо дуже сухе, не виконуйте скарифікацію восени.

Поради щодо прибирання листя

- Для забезпечення здорового росту трави у весняну пору ділянка навколо коріння потребує великої кількості повітря.
- Радимо виконувати аерацію кожні 4–6 тижнів залежно від стану газону.

ДОГЛЯД

⚠ УВАГА:

- Перш ніж виконувати перевірку чи обслуговування, обов'язково вимкніть пристрій і від'єднайте його від мережі.
- Перш ніж виконувати перевірку або обслуговування, одягніть захисні рукавиці.
- Різальний блок не відразу зупиняється після вимкнення. Перш ніж виконувати роботи з обслуговування, зачекайте, поки зупиняться усі частини.
- Упевніться, що після обслуговування усі робочі інструменти прибрано.
- Не використовуйте для чищення бензин, розчинник, спирт тощо. Нехтування цією вимогою може призвести до знебарвлення, деформації чи тріщин. Для чищення пристрою використовуйте лише вологу ганчірку і м'яку щітку.
- Не чистьте пристрій водою під високим тиском.

Перед транспортуванням виконайте викладені нижче дії.

- Вимкніть двигун, від'єднайте пристрій від мережі і зачекайте, поки різальний інструмент не зупиниться.
- Відрегулюйте глибину різального інструмента відповідно до потреб транспортування.
- Завжди переносьте пристрій, тримаючи його за ручку.
- Запобігайте сильним ударам та вібраціям.
- У транспортному засобі пристрій має бути надійно закріплений.

Після кожного сеансу використання виконуйте викладені нижче дії.

- Вимкніть двигун, від'єднайте пристрій від мережі і зачекайте, поки різальний інструмент не зупиниться.
- Чистьте травозбирач. Зберігайте в сухому приміщенні.
- Перевірте, очистьте та відкладіть пристрій на зберігання у сухому приміщенні.

Регулярно виконуйте викладені нижче дії.

- Перевіряйте, чи всі фіксатори (гвинти, гайки тощо) надійно затягнуто.
- Перевіряйте пристрій на наявність дефектів, зокрема ненадійно закріплених, зношених чи пошкоджених деталей. За потреби замініть ці деталі.
- Перевіряйте, чи кришки та захисні щити не пошкоджені та не деформовані.
- Якщо пристрій почне ненормально вібрувати, це може свідчити про розбалансованість або деформацію різального інструмента внаслідок потрапляння в нього сторонніх предметів. У такому разі зверніться в авторизований центр обслуговування для ремонту або заміни різального інструмента.
- Із часом різальний інструмент зношується. Регулярно перевіряйте стан різального інструмента та надійність його фіксації. Замініть його, якщо він зносився чи затупився.
- Перед зберіганням пристрою чистьте та змащуйте усі гвинти.

УСУНЕННЯ НЕСПРАВНОСТЕЙ

ПОПЕРЕДЖЕННЯ: Перш ніж усунути проблему, вимкніть пристрій, вийміть штепсель живлення і зачекайте, поки пристрій повністю зупиниться.

| Проблема | Можлива причина | Вирішення |
|--|---|--|
| Пристрій не запускається. | Не під'єднано живлення. | Під'єднайте живлення. |
| | Несправність кабелю живлення. | Негайно від'єднайте від мережі. Зверніться до авторизованого центру обслуговування Makita для виконання ремонту. |
| | Несправність електричної схеми. | Зверніться до авторизованого центру обслуговування Makita для виконання ремонту. |
| | Не натиснуто кнопку розблокування. | Натисніть кнопку розблокування і потягніть важіль запуску/зупинки. |
| Пристрій видає потрiскування. | У різальний інструмент потрапив сторонній предмет. | Вимкніть двигун, від'єднайте пристрій від мережі і зачекайте, поки різальний блок зупиниться. Після цього усуньте цей сторонній предмет. |
| Пристрій видає дивний шум. | Несправність привідного ременя. | Зверніться до авторизованого центру обслуговування Makita для виконання ремонту. |
| Пристрій не досягає своєї максимальної потужності. | Напруга джерела живлення нижча, ніж потрібно. | Спробуйте скористатися іншим джерелом живлення. Перевірте, чи вибрано належне джерело живлення. |
| | Вентиляційні отвори засмітилися. | Прочистьте вентиляційні отвори. |
| Неналежний результат роботи. | Трава зависока. | Скосіть траву перед скарифікацією. |
| | Різальний інструмент зношений або пошкоджений. | Замініть його. |
| | Робоча ділянка більша, ніж це передбачено технічними можливостями пристрою. | Обробляйте лише ті ділянки, які відповідають технічним можливостям пристрою. |
| | Неправильно вибрано глибину скарифікації. | Відрегулюйте глибину різального інструмента. |

ДОДАТКОВИЙ АКСЕСУАР

⚠ УВАГА:

- Ці аксесуари та насадки рекомендовані для використання із пристроєм Makita, про який ідеться в цьому посібнику. Використання будь-яких інших аксесуарів або насадок може становити ризик фізичного травмування. Використовуйте аксесуари та насадки суто за призначенням.
- Докладніші відомості про ці аксесуари можна отримати, звернувшись до авторизованого центру обслуговування Makita.

Є кілька типів різальних інструментів:

- Лезо для скарифікації: гострий край леза розпушує землю і ріже коріння.
- Граблі (додатковий аксесуар): тонкі голки грабель прибирають листя на газоні.
- Лезо 2-в-1 (додатковий аксесуар): прибирання і скарифікація водночас.

ЗВЕРНІТЬ УВАГУ:

- Деякі елементи списку можуть постачатися в комплекті пристрою як стандартні аксесуари. Вони можуть різнитися залежно від країни.

Лише для країн Європи

Декларація про сумісність ЕС

Makita декларує, що наступне обладнання:

Найменування пристрою:

Електричний скарифікатор

Номер моделі/ Тип: UV3600

Відповідають вказаним нижче європейським директивам:

2000/14/ЕС замінено на 2005/88/ЕС, 2006/42/ЕС,
2004/108/ЕС, 2011/65/ЕС

та виготовлене відповідно до таких стандартів або стандартизованих документів:

EN60335, EN13684

Технічна документація відповідає 2006/42/ЕС та зберігається за адресою:

Makita, Jan-Baptist Vinkstraat 2, 3070, Бельгія

Процедуру оцінки сумісності, що вимагається Директивою 2000/14/ЕС, проведено відповідно до Доповнення V.

Вимірний рівень потужності звуку: 99,53 дБ (А)

Гарантований рівень потужності звуку: 104 дБ (А)

21.11.2014



Yasushi Fukaya

Директор

Makita, Jan-Baptist Vinkstraat 2, 3070, Бельгія

Makita Jan-Baptist Vinkstraat 2, 3070, Belgium
Makita Corporation Anjo, Aichi, Japan

UV3600-29L-0315

IDE

www.makita.com